

RFP PTD24-005
FIXED-ROUTE SERVICES
WEST TRANSIT FACILITY

EXHIBITS 23-30

EXHIBIT 23
PTD SECURITY ACCESS AND
CONTROL

NOTE: This exhibit is subject to change as AR 4.44 and 4.45 are currently in the last stage of being revised.

Section 1: Introduction

The City has an obligation to protect employees and the visiting public, preserve the availability of assets and ensure the continued delivery of services effectively, safely, and cost-efficiently. Identification cards (ID Cards) and Electronic Access Badges help the City accomplish all of these goals. With the addition of policies for Intrusion Detection Systems (Alarms) and issuing physical keys, this document serves as the central document related to Security, Access Controls and Badging Information for the Public Transit Department.

Section 2: The Policy

2.1 – Introduction

Administration Regulation (AR) 4.44 and 4.45 were drafted and adopted by the City of Phoenix on September 30, 2009. These regulations provide most of the policy guidelines referred to in this document. AR 4.44 provides guidelines for assessing risk and managing access to City facilities and City assets. AR 4.45 governs Contract Worker background screening.

2.2 – Roles and Responsibilities

1. Monitoring of the Access Control and Security Systems is the responsibility of the Police Department – Central Monitoring Station (CMS).
2. The Public Works Department Alarm Services Section is responsible for specifying, implementing and maintaining the City's badge access system in accordance with accepted industry standards and best practices. Card Access Control Systems must sufficiently meet current and emerging credible threats and standards.
3. The Public Works Department Badge Imaging Office and Public Transit Department Facilities Division control the production, issuance, and accountability of access badges.
4. Periodic reviews of programmed access, clearance codes and inactive badges must be performed by the contractor, Facilities Division, and the Badge Imaging Office to ensure current, valid and relevant access into City facilities.

2.3 – Badge Use and Conditions of Use

Access badges issued by the City of Phoenix remain the property of the City and should be collected and returned to the Facilities Division once no longer required.

While on City property, badge holders must visibly display badges and present government identification upon request of management, security personnel, or law enforcement.

Contract Workers with authorized access are entitled to have the City of Phoenix Contractor Badge and their company identification badge in their possession while on

City property. Only one City access badge is assigned and active for a contract worker. Having more than one active badge assigned to the same person can pose a serious potential security breach. It is important that the contractor and the Facilities Division track and ensure their workers are using the appropriate badge.

Access badges are not transferable. City access may only be used by the person it was issued to. No access may be loaned or borrowed.

All City badge holders are responsible for appropriate care and control of their access badge in accordance with the City of Phoenix Administrative Regulations and contract policies. Badge holders must immediately notify the contractor and the Facilities Division upon noticing their badge is lost, stolen, missing or damaged.

Permanent photo access badges must be picked up personally by the recipient from the Facilities Division Badge Office, during posted office hours, and signed for on the badge application at the Facilities Division Badge Office location.

No one may circumvent, bypass or otherwise render ineffective any City badge access devices. This includes badge readers, locking mechanisms, door sensors, etc. Any intentional attempts to do so shall be regarded as a criminal act.

2.4. – Protection of Information

Personal information for badging purposes is used to issue employees and contract worker access badges and for contact purposes in case of an emergency. The Facilities Division Badge Office and the Badge Imaging Office staff are entrusted to ensure confidential information remains confidential.

Badge access information may not be divulged except in compliance with the City of Phoenix policies and procedures or directives. Any requests for confidential information should be forwarded through the appropriate channels. The information contained in the security system(s) database must not be used for non-security purposes including, but not limited to, time, attendance, and data gathering for disciplinary purposes.

2.5 – Consequences

Violations of this Policy may be subject to disciplinary action at the discretion of the department.

Section 3: Procedures

2.6 – Background Screening Review Process

There are specific requirements that must be completed prior to the Public Works Department Badge Imaging Office and the Public Transit Department Facilities Division Badge Office issuing an Access Badge. Both badging offices will require Facilities Division Management Assistant II signature, contractor representative signature, City contract manager signature, employees and contract workers to complete badge documentation and submit information in order to create a badge and for validation purposes.

Contractor badges may only be issued to contract workers if:

- A business need exists for the worker to have unescorted electronic access to common and secure areas of City facilities;
- A background check has been conducted
 - Level of Access (Minimum, Standard, Maximum) is determined by the Facilities Division Management Assistant II in conjunction with City Risk Assessment Guide.
 - The contractor shall be responsible for determining whether a contract worker is qualified to perform work or disqualified from performing work for the City under the terms of the contract for minimum and standard risk level background checks.
 - For minimum and standard level background check requirements, the contractor will provide a list of “eligible contract workers” on the contractor’s company letterhead, to the Facilities Division Management Assistant II.
 - The contractor will provide a complete background check report for the maximum level background check to the Facilities Division Management Assistant II (MAII). The MAII will review and approve/disapprove maximum risk background check results.
 - Maximum risk background check results are to be submitted to the MAII in a sealed, confidential envelope, at a minimum of 5 business days before work is to begin.
 - The MAII will secure all maximum risk background check results in a locked file cabinet until the review is complete.
 - The MAII will discard of the maximum risk background check results in the confidential secured bin that is picked up by an offsite secured shredding company.
 - The contract worker is to work directly with the contractor, not the City, to resolve any disputes related to the background check process and/or outstanding Criminal History Records Check Information.
 - All contractors, except **employees** of 302 Building tenants, must pay a \$55 badge fee before issuance of an access badge.
 - Please note that subcontractors, whether of a tenant or primary contractor, will be charged the \$55 fee, no exceptions.

Department

- Access badges will not be issued if background checks are incomplete, badge applications are incomplete, photo identification is not presented at the time of issuance, background check has been denied, badging fee not paid, or sufficient time not allowed for review.
- Individuals must come in for issuance of an Access Badge within 30 days from date of maximum risk background check results or minimum and standard risk “eligible contractor worker” list.

2.7 – Company Responsibility for Contractors

Each Contract company shall designate a primary and secondary representative who will work directly with their Designated Authorized Signer to have their contract worker(s) complete the necessary steps to perform services. The Contract companies representative(s) are responsible for complying with all requirements associated with conducting business and performing services for the City of Phoenix. Contract companies must ensure their contract workers complete the appropriate paperwork in a timely manner and any supporting documentation requested by their Designated Authorized Signer.

The Designated Authorized Signers are responsible for authorizing and approving the City of Phoenix Badge Data Form. In addition, the Designated Authorized Signers are responsible for making access related notifications to their Public Transit Department Badge Office staff regarding changes in status for contract workers such as lost and stolen badges and issues where replacement badges are required to ensure they are deactivated in the system properly. The Badge Office staff will require that each Contract Manager or Tenant Representative Authorized Signer communicate badge, access, and background check information to the Contract companies representative(s) to ensure consistency and that processes are followed properly.

2.8 – AR-Applicable Contracts: Background Check Process

The following regulations apply to all contracts that contain background screening language as it was approved by the Law Department.

Contractors perform a variety of work for the City. The type of work performed and the work environment influence the need for three levels of risk, each of which requires a background check. The first and second levels involve circumstances where background checks are required and performed by the contractor and a third level where the background check is performed by the contractor, but reviewed by City Departments.

Contractors must have workers complete and sign a copy of the Contract Worker Disclosure Form before the background check is conducted.

The Contract Worker Disclosure Form will provide an opportunity for the contract worker to list any and all criminal convictions and grant the City the right to review the background check results.

2.9 – AR-Applicable Contracts: Evaluating Results

The contractor shall be responsible for determining whether a contract worker is disqualified from performing work for the City under the terms of the contract for minimum and standard level background checks.

For minimum- and standard-level background screening, the contractor will provide the contracting department a memo indicating the types of screenings performed and that the contract worker passed those screenings (See Section 2.6).

For maximum-level background screening, the contracting department will review and approve the background check provided by the contractor. The department will prepare a memo to be placed in the contract file that indicates the results of each worker's background check.

The contract worker is to work directly with the contractor (not the City) to resolve any disputes related to the background check process and/or any outstanding Criminal History Records Check information.

In making the determination of whether information contained in the results of the background checks constitute grounds for disqualification of a contract worker, the contractor and contracting department should be guided by these principles and guidelines:

- Disqualification decisions should not be based solely on a criminal conviction, unless the conviction is related to performance under the contract. Arrests that did not result in a conviction or have not been charged may not be considered when determining whether a contract employee is disqualified.
- Not all criminal convictions or other negative information obtained in the background screening process would prohibit an individual to work under the contract. Departments must evaluate the job relatedness of the information received. To determine if a contract employee's background would be prohibitive for a specific contract, these factors should be analyzed:
 - Duties of the specific position;
 - Time, nature, and number of negative events / convictions;
 - Attempts and extent of rehabilitation efforts; and
 - The relation between the duties of the job, and the nature of the crime committed.

The analysis of whether or not any particular item in a background check is a potentially disqualifying factor involves looking at what the contract work requires, where the work is done, the access to particular areas, and the type of people or places that the contract worker will encounter. Then the background results should be reviewed to determine whether the nature of the crime reported would create a risk to the City based on that person's background. An example of this analysis would be as follows:

Department

For a person who is contracting for work requiring the minimum risk background check, there is no conviction that should disqualify a person for the work, since at this level, the contract worker does not have direct access to City facilities, does not come in contact with vulnerable people, does not have access to private property, and only has escorted access to City facilities. The only disqualifying factors would be if the contract worker did not meet the requirements of A.R.S. § 41-4401.

For a person who is contracting for work requiring a standard risk background check, potentially disqualifying convictions could include a record of theft, burglary, arson, crimes against property, violent crimes, or other crimes involving dishonesty, or embezzlement.

For a person who is contracting for work requiring a maximum risk background check, potentially disqualifying convictions could include a record of child molestation, assault, sexual assault, crimes against a person, public indecency, drug offenses, forgery, theft, burglary, arson, crimes against property, violent crimes, crimes for financial gain, and embezzlement.

If a contract worker has a criminal record that includes a disqualifying conviction, that person shall not be permitted to perform work for the City under the contract. If the records check indicates that the disposition of the criminal case is unknown, the contractor must determine the disposition.

3.0 – Badge Office Locations and Contacts

The Public Works Department Badge Imaging Office is located on the Mezzanine in the Calvin C. Goode Building. Employees and contractors without a valid parking pass may park in the 305 Garage (305 West Washington) or at a parking meter. Individuals will enter the building through the main lobby entrance and proceed to the single elevator located directly east of the main elevator banks. Employees and contractors are only to utilize this location upon prior approval from the Public Transit Department Facilities Division Badging staff.

Public Works Department
Badge Imaging Office
251 West Washington, Mezzanine
Phoenix, Arizona 85003
Monday – Friday
8 am to 12 pm, 1 pm to 4 pm
602-534-4611

The Public Transit Department has (3) three badge office locations. All information must be received by badging staff prior to individuals coming in for issuance of an Access Badge.

Public Transit Headquarters
302 North 1st Avenue, Ste. 900
Phoenix, Arizona 85004

602-495-5914
Tuesday, 1 pm to 5 pm
Thursday, 8 am to 12 pm

West Transit Facility
405 North 79th Avenue
Phoenix, Arizona 85043
602-534-9121
Wednesday
8 am to 12 pm
South Transit Facility
2225 West Lower Buckeye
Phoenix, Arizona 85009
602-495-7690
Friday
8 am to 12 pm

3.1 – Fees and Payment Info

Payment must be submitted to badging staff with submission of application, unless prior arrangements have been made with the Facilities Division Management Assistant II.

Initial Badge Fee.....	\$55.00
Renewal Badge Fee.....	\$55.00
Lost or Damaged Replacement Badge Fee.....	\$55.00
Stolen Replacement Badge Fee.....	PD Department Report – No Charge (Report # is required on the Badge Data Form, if individual does not have proof of report \$55 will be charged)

3.2 – How Access Badges Work

The proximity access badges used by the City of Phoenix have a microchip embedded inside them. The badge holder is required to present their issued badge to the card readers only in the areas they are authorized. Presenting badges to card readers that the individual does not have approved access to will trigger “denied wrong area” alarm activation to the Central Monitoring Station.

3.3 – Badge Number

The access badge number is the last four to six digit number printed on the back of the badge in the lower right corner.

3.4 – Authorization for Access

Each Designated Authorized Signer shall establish an Access Authorized Signer List. The list shall be maintained by the Designated Authorized Signer and contain the name and signatures of individuals who have been given the authority to approve access, along with a description of the areas for which they are allowed to approve access. Signers should be at the highest possible level based on the level of security needed for each area.

The number of people each department authorizes to approve access should be limited to the fewest number needed to efficiently process requests. The Access Authorized Signer List must be kept current and on file with the appropriate badging and/or security office.

Authorization to grant employees and contract workers access shall be documented by the requesting department prior to the issuance of a badge, key, or PIN code.

Documentation shall include, but is not limited to, the following:

- Employee's or contractor's true and legal name;
- Location and times of access needed;
- The reason for access to each area;
- Approval signature of Contract Company Authorized Signer; and
- Approval signature from the Designated Authorized Signer.

Section 4: Enrollment

4.1 – Identity Verification

It is imperative that photo identification be shown to Badge Office staff when a person has their photo taken for a badge. The integrity of the City's identification system relies on this procedure. Government-issued photo identification is the most reliable.

Acceptable types include:

- Passport
- Citizenship Card
- Photo Health Card
- Driver's License
- Photo Firearms License
- Native/Immigration Status Card
- Permanent Resident Card
- Other acceptable form of government-issued ID

Badging staff will not take a photo and issue a badge without acceptable identification.

4.2 – Information Collection

The following steps must be followed by the Public Transit Department Badge Office when collecting information on a badge candidate:

- Ensure that the badge request form is fully completed and that all required information is written clearly on the form.
- Check photo identification to verify that the name on the form matches the name on the ID. If the person does not have photo identification, they will need to take the necessary steps to obtain an appropriate photo ID.
- Badging staff will ensure the appropriate badge type has been checked. This will determine the type of badge template to issue.
- Validate signature of the person who signed the badge application.
- Validate payment method and process.
- Take photo and inspect the badge to ensure the name is spelled correctly.

4.3 – Photo Capture

City access and identification badges are used in many sensitive applications, including access into restricted City facilities, senior and childcare facilities, critical infrastructure and private homes, so it is important that the best quality picture be captured and applied.

Below are some guidelines to help obtain the above result:

- Hats or head coverings are not allowed, except if worn for religious reasons. If the photo candidate is permitted a head covering, the facial features must be fully and clearly visible.
- The candidate's eyes must be open and clearly visible.
- Glasses, including those tinted with a prescription, may be worn as long as the eyes are clearly visible. Sunglasses are not permitted.
- Photos must show both edges of the face clearly.
- Photos must show a full front view of face and shoulders squared to the camera.
- A small section of space may be left above the top of the head and below the neckline to show proportion.
- The face and shoulder image must be centered in the photo.
- Smiling is always permitted; however, unusual or contorted expressions will not be permitted.

4.4 – Retain Photocopy of Badging Sheet

The Badge Office staff will retain a copy of each processed Badge Data Form as long as the badge holder is active and in good standing with the City.

Section 5: Verification

Before any badge is produced, employment or affiliation with the City must be verified. No badges are to be produced without this verification.

5.1 – Requirements for Verification

For City employees, the following information would satisfy the requirements of verification:

- Established record in the Human Resources e-CHRIS database;
- Confirmation of City department name, division, and section;
- Government-issued photo ID;
- Badge access requirements including all City facilities;

For a contractor, the following information would satisfy the requirements of verification:

- Confirmation of affiliation with a City department, function, division or program;
- Confirmation of passed and approved background check process;
- City affiliation;
- -issued photo ID;
- Expected contract completion/end date; and
-

The contract manager must provide the Badge Office staff with the required information. Where the required information is not available, the Badge Office will advise the worker of the information required and will request that they return when all information requirements have been satisfied. All information must be entered on the City of Phoenix Badge Data Form for retention and future auditing purposes.

5.2 – Confirm Employment Data

As part of the confirmation process, all relevant information must be collected. Relevant information includes:

- Badge Holder's name;
- Department, Function, Division and/or Contract Company worked for;
- Position/Title;
- Home Address and Phone Number;
- Work Location and Phone Number;
- Year of birth;
- Last 4-digits of Social Security Number;
- Emergency contact; and
- Badge Holder's Signature and current date;

5.3 – Confirm Access Requirement

The last part of the verification process involves the determination and authorization of access needs. Access must be requested by the Designated Authorized Signer(s) on behalf of the worker. Requests must be submitted in writing to the Badge Imaging Office and/or noted on the Badge Request form for processing.

Section 6: Production and Distribution

6.1 – Verify New Record

The Badge Office staff will research the database prior to entering a badge to ensure that another record does not already exist. If another badge record already exists, the latest information from the Badge Data Form and recent photo should be used to update the existing record, not replace it.

6.2 – Badge Pick-Up

All access or identification badges must be signed for at the Badge Office. Access badges may not be picked up by a co-worker or family member, and should not be inter-office mailed directly to the recipient.

Prior to issuing an ID or access badge, the Badge Imaging Office will ensure that any temporary badges issued to the badge holder are returned. This procedure enables proper badge tracking and auditing from production to issuance by maintaining continuity of possession.

6.3 – Identity Verification

It is important that ID and access badges be issued to the intended holder. When a badge holder arrives to pick up a photo ID or access badge, verification of the correct recipient is done using the badge holder's government issued photo identification.

Section 7: Maintenance

ID/Access Badges and Keys issued by the City of Phoenix are considered City property. Designated Authorized Signers must ensure employees and contract workers protect and take care of City assets. Badges and Keys must be returned immediately to their appropriate issuing department when no longer required. Penalties may be assessed to the contracting department and/or the Contractor for failure to return these items.

7.1 – Lost and Stolen Badges

Active lost badges pose a serious potential security breach, similar to a lost key. It is imperative that employees and contract workers immediately report the badge as lost or stolen.

7.1.1 – Reporting Lost or Stolen Badges

Employees and contract workers are responsible for immediately notifying their Designated Authorized Signers of any lost or stolen badges so they can be deactivated and the appropriate precautions taken. Designated Authorized Signers must establish a method for reporting lost and stolen badges during afterhours.

Employees are responsible for completing the following steps:

- Notify the Designated Authorized Signer immediately;
- Notify the Public Transit Department Badge Office;
- Complete a new Badge Data Form signed by the Designated Authorized Signer and/or designee; and
- Complete payment process (if applicable).

Contract Workers are responsible for completing the following steps:

- Notify the Contract Company he or she is employed with;
- Notify the Designated Authorized Signer and/or designee; and
- Complete a new Badge Data Form signed by the contract worker and the Designated Authorized Signer.

Departments shall require a police report be filed for any stolen badges.

7.1.2 – Found Badges

Often times, ID/Access badges are reported lost at first and are later found. Badge holders are prohibited from using a badge that has been reported as lost or stolen, unless the Badge Imaging Office notifies the department or employee otherwise.

When a deactivated badge has been found, the Designated Authorized Signer and/or the contracting department shall report these conditions to the Badge Imaging Office immediately. The Badge Imaging Office will verify the badge record information. If a new badge has been issued, the Designated Authorized Signer is required to return the

badge that was found to the Badge Imaging Office. If a new badge has not been issued, the Badge Imaging Office staff will validate the badge holder's record information and update the status. It is vital to be sure the badge is being activated for the correct person.

The badge should only be re-activated after ensuring that a replacement badge has not yet been made. If no new badge has been issued, the badge may be reactivated at the discretion of the Designated Authorized Signer and the Badge Imaging Office.

7.1.3 – Replacement

Lost and stolen badges will be replaced once a new badge application is completed and signed by the appropriate Designated Authorized Signer. In the case of lost badges, the employee, contractor and/or contract worker will be responsible for the current replacement cost. In the case of a stolen badge that has been reported to the Police Department, a replacement will be provided at no cost. A new Badge Application must be completed and approved, along with the Police Department Report number, before a replacement badge is issued.

7.2 – Damaged and Defective Badges

From time to time, the microchip inside an access badge will become inactive or fail. Sometimes a badge will be cracked or otherwise damaged, rendering the badge inoperable. Badges that have sustained cosmetic damage to the front of the card, such as scratching, or fading, should be replaced if the image on the front of the card is no longer legible from an appropriate distance.

A new Badge Application needs to be completed before the badge can be reissued. Defective badges may be replaced at no cost, if it is determined that the employee or contract worker did not cause the defect. Payment is expected at time of application.

7.3 – Name Change

Employees or contract workers requesting a name change from their existing City – issued access badge must complete a new Badge Application signed by the appropriate personnel and pay the replacement cost at time application is submitted. The old badge must be returned at the time the new badge is issued.

7.4 – New Photo

Personal appearance can change significantly over time, due to changes in weight, hair color, style, etc. The goal is to have the City electronic access badge look like the person that it represents for security and safety reasons. If a new badge is issued within 6 months of previous badge, a new photo is required.

If an employee and/or contract worker wishes to take a new photo due to the individual's change in appearance, that request must be initiated from the Designated Authorized Signer and/or the contract manager. A new Badge Data Form must be completed and submitted to the Public Transit Department Badge Office.

The badge holder will be required to make a payment in the amount of \$55 at the time of issuance of the new badge.

7.5 – Separation in Service

When there is a separation in service from the City of Phoenix involving an employee, it is the responsibility of the supervisor to report the change in status immediately in writing to the Public Transit Department Badge Office. This will ensure the badge record is deactivated in a timely manner and eliminate security and safety risks involving the use of the City issued badge. Badges must be collected and returned to the Badge Office.

If the former City of Phoenix employee returns to perform services under a contract, it is the responsibility of the supervisor to follow the guidelines outlined in the contract.

If there is a separation in service where a contract worker is no longer employed with their company, the contract company is responsible for reporting the change in status immediately to the Designated Authorized Signer. If the former contract worker later returns to work for that same company it is the responsibility of the contract company to re-screen the worker.

7.6 – Extended Leave

Badge access privileges will be suspended for all badge holders who are on authorized extended leave. The supervisor or contract company is responsible for reporting change in status immediately to the Designated Authorized Signer.

All cancelled badges must be returned to the appropriate Badge Office.

7.8 – Expired Badges

Badges are only valid through the expiration date printed on the front of the Access badges. It is the responsibility of the badge holder to ensure they are in possession of a current and valid badge. A new badge application must be completed by the individual and signed by the appropriate personnel to replace an expired badge.

When expired badges are presented to card readers as an attempt to gain entry, alarm activation are generated in the Police Central Monitoring Station (CMS). This is a violation of badge holder responsibilities and may result in discipline.

7.9 – Adding Access to Badges

If a need develops for a badge holder to have additional access, the designated person may request the additional access via email to the Public Transit Department Facilities Division Management Assistant II.

Section 8: Badge Holder Responsibilities

8.1 – Badge Responsibility Agreement

Badge Holders shall read and sign a Badge Responsibility Agreement acknowledging their responsibilities related to safeguarding and caring for their city-issued badge. The information found in a Badge Responsibility Agreement may vary between departments

and/or location based on the level of security maintained in each area, but should include the badge holder responsibilities outlined in Section 8 of AR 4.44. Departments are responsible for maintaining Badge Responsibility Agreements for each badge holder.

8.2 – Representing the City of Phoenix

Badge holders should recognize that a City of Phoenix badge demonstrates affiliation with the City of Phoenix, and the actions of City employees and contractors are closely watched by members of the public. All badge holders must act legally, responsibly, and respectfully while wearing the badge.

8.3 – Guidelines

Guidelines for wearing the badge include, but are not limited to:

- While badge holders are conducting business and performing services at City facilities, ID/Access Badges must be worn at all times; displayed on the outer most garment and visible for immediate identification purposes.
- Badge holders must not loan, borrow or share badges, keys or PIN codes.
- The person to whom a key or badge has been issued shall be held responsible for its use until it has been properly returned to the appropriate Department or the Badge Imaging Office.
- Any person found to be in possession of an unauthorized key or badge shall be liable for its use and may be subject to disciplinary or legal action.
- Lost or stolen badges or keys must be reported immediately.
- If badges or keys are found, employees and contract workers must notify appropriate personnel.
- Badge holders must use their assigned access cards to gain entry into work areas that have card readers. Keys, when issued, should only be used in an emergency situation as it will cause alarms to be activated.
- Badge holders shall not tamper, interfere, compromise, modify or circumvent any security system, measures or procedures.
- Badge holders shall not allow persons without a badge to follow them into a restricted or controlled environment unless being escorted by a badged employee.
- Badge holders shall ensure doors are secure and never left open.
- Badge holders must take care to secure their badges and keys. They should never be left on an employee's desk or vehicle. Alarm PIN codes must be memorized and never posted for view.
- Badges and keys must be returned to appropriate personnel when no longer needed or upon the termination or transfer of an employee or contract worker.
- Badge holders may be charged for the cost of replacing badges or re-keying locks.
- Badge holders shall question the presence of persons without a badge and report infractions.
- Badge holders shall not duplicate badges and/or keys.
- Badge holders shall immediately report all alarm activations that occur in error.

8.4 – Violations

Employees may be subject to disciplinary action for violation of these policies and procedures.

For contractors, violations of this section, or any other section of this document, are punishable by temporary or permanent suspension from contracting with the City. Contract companies and their workers may be subject to other fines or consequences, depending on the severity of the infraction.

Section 9: Department Responsibilities

9.1 – Introduction

Designated Authorized Signers and contract managers shall be responsible for ensuring the City of Phoenix A.R.'s for Badge and Access Control and Contract Worker Background Check policies are followed by all employees and contractors. The City and contract managers must communicate the badge and access control and background check requirement needs to the appropriate Badge Office at least one week prior to start of new employees and the contractor's work assignment(s).

9.2 – Auditing and Process Reviews

Departments shall perform regular employee audits to ensure employees are in compliance with the Administrative Regulations, understand their responsibilities, and Designated Authorized Signer and/or designees are following the required procedures.

Departments shall perform regular contract worker disclosure audits and process review per prescribed citywide guidelines in conjunction with the implementation of Administrative Regulation 4.45. The City Auditor Department may also perform audits as it deems necessary.

As a part of contract monitoring, the contract manager shall establish procedures for controlling contractor badges and a process for reporting lost/stolen cards. The same care and level of authorization should be applied to badges for a contractor as is for an employee badge (see AR 4.44, section 3 through 4G). All requirements, policies, and procedures related to contractor badges shall be documented in the contract.

9.3 – Training

The Designated Authorized Signers are required to conduct an internal Security Badge and Access training and awareness session for employees and contract workers. The Public Works Department Badge Imaging Office is available to assist departments in developing and/or improving their training program.

Section 10: Special Circumstances

10.1 – Contract Company Extensions/Special Access Request

When a contract is extended beyond the original end date of the contract, the department or division must contact the Badge Office. The department needs to ensure any contract workers who continue to work after the original expiration date of the contract will continue to have access. If contractors need additional access, or have a special access request, they are encouraged to contact the Badge Office.

10.2 – Working for Multiple City Departments/Multiple Contracts

Contract workers may be employed by multiple contract companies conducting business and performing services for the City of Phoenix. Contractors may be awarded multiple City contracts and perform services on behalf of multiple City departments. It is important for each City department to do their due diligence to ensure a proper background check has been conducted for contract workers according to the area and facility(s) assigned. This will ensure appropriate precautions have been considered to mitigate risk and liability for the City.

10.3 – Secondary Access Media

There are times when contract workers are employed by multiple companies doing business with the City of Phoenix and will require multiple badges. The Designated Authorized Signer must notify the appropriate Badge Imaging Office of the Contract company names, contract numbers and expiration dates, and determine the appropriate level(s) of access based on the areas and facilities associated with the duties performed by the contract worker. Contract workers must safeguard all issued media and follow all guidelines outlined in this policy.

10.4 – Access for Other Government Agencies

A non-City of Phoenix Government agency requesting an ID/Access Badge for City facilities/sites may, at the discretion of the Designated Authorized Signer waive certain fees outlined in the Fee Schedule.

Section 11: Intrusion Detection (Alarm) Systems

11.1 – Introduction

An Intrusion Detection System is an important device in protecting City of Phoenix facilities. Many City facilities are equipped with Intrusion Detection Systems (burglar alarm) and other specialized system devices to protect people, facilities, and assets.

These systems are electronic and can be controlled through a low voltage hard-wire or wireless transmitters and receivers. Sensors, such as door contacts, glass break sensors and infrared motion detectors, connect to an alarm that is sounded when the system is compromised. Sensors are wired to a central control panel that can deactivate an alarm by keying in the proper code. Properly installed, used, and maintained, City of Phoenix Intrusion Detection Burglar Alarm Systems are a real asset to the organization.

Every effective Intrusion Detection System is only as good as the department employees and the Central Monitoring Station that monitors it. Designated Authorized Signers must educate employees, tenants, and contract workers on the proper use of the Intrusion Detection System, how to properly enter the facility without unnecessarily setting off alarms, and how to report accidental alarm activations.

When Intrusion Detection Systems are misused and not operated properly, they can become a liability to the City. The Phoenix Police and Fire Departments as well as the Central Monitoring Station, must spend a significant amount of time and money handling

and responding to false alarm activations. As the Designated Authorized Signers and system users, you may also experience the inconvenience of false alarms at the facilities you maintain.

11.2 – Alarm Permit Subscriber Permit Application Form

An alarm subscriber permit application form is required for all Intrusion Detection Systems monitored by the City of Phoenix Central Monitoring Station. The form must be completed by the Designated Authorized Signer and forwarded to the Police Department Code Enforcement Unit when a new Intrusion Detection System is installed. The initial application fee is \$17.00 and a cost center must be included on the application form before returned to the Code Enforcement Unit.

City of Phoenix facilities with an Intrusion Detection System installed that do not have a burglar alarm permit on file with the Police Department will be assessed a \$96.00 fee. Designated Authorized Signers are required to complete that alarm subscriber permit form, include that department cost center, and return the application form to the Police Department Code Enforcement Unit immediately. Once the form is received and processed by the Police Department personnel a permit number is assigned to the City facility for emergency response purposes. Departments may also be subject to an assessment of \$105.00 for a fire alarm activation that the Fire Department responds to if there is no permit on file.

11.3 – Annual Renewal Process

The Designated Authorized Signers and/or Responsible Party must renew the City of Phoenix Alarm Subscriber Permit and notify the Public Works Department Alarm Services staff (if the alarm system is monitored by the Central Monitoring Station) to make all necessary updates in the security system database. It is important to update the responsible party names and telephone numbers on the permit form that is returned to the Police Code Enforcement Unit as well as to ensure the Public Works Department system database reflects the changes.

11.4 – PIN Codes

Personal Identification Numbers, or PIN codes, are programmed into the Intrusion Detection System database to allow an authorized person the ability to arm and disarm a facility's burglar alarm system by use of a keypad. Any employee or contract worker requiring a PIN code is asked to select a 4-digit number that can be programmed to the system panel in the field to communicate with the keypad. PIN codes are specific to the individual and must not be shared and loaned to other individuals. PIN codes should be kept confidential and not be obvious or easy to guess. It is recommended that when selecting a PIN code that the use of bankcard PIN numbers or the last 4-digits of social security numbers are not used for security reasons. Designated Authorized Signer and/designees must notify the Public Works Department of any changes in status to ensure accurate data is maintained in the security system.

Generic PIN codes are not allowed for security and identification purposes, but may be acceptable based on certain operational needs.

11.5 – Responsible Party

The Responsible Party is the person(s) designated by the department to handle alarm activations and the person(s) responsible for responding to the facility in the event of an emergency after hour issue. When alarm activations are received in the Central Monitoring Station, police staff will notify the Responsible Party of the alarm type and condition. Police and/or Fire may request the responsible party respond to the facility. The responsible party is required to have an established PIN code, a badge and appropriate keys (where applicable) to the facility to properly investigate the alarm issue(s).

It is important for Designated Authorized Signers to identify a minimum of three (3) people who can be primary contacts and responsible parties for after-hour alarm notifications. Contact information for responsible parties must be kept up-to-date and on file with the Public Works Department, the Central Monitoring Station or their appropriate monitoring agency.

11.6 – False Alarms

False alarms are a problem for everyone: the City, Designated Authorized Signers, the Central Monitoring Station and the Police Department. With the growing number of alarm systems being installed and used throughout the City of Phoenix, all facility Responsible Parties and users must be aware of how to correctly operate their internal systems.

In addition to the personnel costs to the City of Phoenix, there are other items that affect police response to false alarms. False alarms are costly and divert Police Officer time away from calls that may be real emergencies. Article IX of the City Code describes the duties of alarm subscribers, proprietor alarm owners, and alarm businesses and explain how false alarms are defined.

The majority of false alarms are caused by human error. False alarms caused by human error are the easiest to prevent. It is extremely important that Designated Authorized Signers, Responsible Parties, and users understand how to operate the alarm system in order to prevent unfortunate mistakes that result in a Police emergency response and unnecessary cost to the City of Phoenix.

Everybody must do their part to reduce the number of false alarms generated citywide. A few tips:

- Make sure everyone who has access to the premises knows how to operate the alarm system and knows how to clear false alarm activations from the keypad.
- Immediately call the Central Monitoring Station and inform security staff of any errors and false alarm activations.
- If there are any changes at the facility such as remodeling that may affect the security system devices, such as a motion detectors or panic buttons, notify the Public Works Department Alarm Services section.

- Make sure Responsible Party names and after-hour contact details are current and up-to-date.
- Every person using the alarm system keypad must have their own PIN for verification purposes with the Central Monitoring Station.
- During monsoon weather, the Responsible Party and/or staff should double check all doors and windows to make sure they are secure and will not blow open.
- Conduct monthly observations of alarm system devices such as motion detectors to make sure there are no obstructions, dust build up, and that building doors and windows are securing properly.
- Report problems immediately to Public Works Department Work Control by calling 602-262-6732.

11.7 – Preventative Maintenance Inspections

City of Phoenix Code requires an annual preventative maintenance inspection of all security alarm systems. Preventative Maintenance can save the City unwarranted costs, eliminate false and trouble alarms issues, and reduce expensive repairs when performed by the Public Works Department Alarm Services trained professionals.

Designated Authorized Signers should establish annual auto-generating preventative maintenance inspection work orders by contacting the Public Works Department Work Control at 602-262-6732. Public Works Department Alarm Services staff can assist departments with the above process.

Section 12: Keys

12.1 – Introduction

Physically keys cannot be turned off or deactivated electronically to prevent use. It is the responsibility of the Designated Authorized Signer to train and educate employees and contract workers on the importance of keeping track of keys that are issued by the City of Phoenix.

City employees requiring keys to perform the duties of their position must safeguard them in the same manner as they would ID/Access Badges.

There are times when a contractor and/or their workers may require a key to be issued to complete City approved work or services. A key may be issued only upon written authorization from the applicable contracting Designated Authorized Signer. **A key shall be authorized only when no other reasonable means of access is available.** All policies described for issuing badges to contractors and their workers must be followed to issue keys (see AR 4.44, Section 4.J.).

12.2 – Responsibility of the Site Key Liaison

The Site Key Liaison is responsible for tracking all keys assigned to their site. These responsibilities include recording and maintaining all key information in a site database. It is suggested that the Key Liaison retain a copy of the key issue form from the key holder, in order to maintain a written record with signature and date for when that person received and returned the key.

12.3 – Key Issue Instructions

All keys are issued to Site Key Liaisons by Alarm Services. Keys will then be issued to personnel on-site and tracked by the Site Key Liaison. Alarm Services requires original key issue forms with original signatures to release keys. The following steps need to be completed for a key to be issued or re-issued:

1. Submit a request for a work order to Work Control (602-262-6732).
2. Record the work order number on the top left of the Key Request Form (See the Intranet site for the most current Key Request Form.)
3. Date the form at the top right hand side.
4. Fill in your information on the "City of Phoenix Employee" line.
5. Mark any applicable boxes in the "check all that apply" section: "New issue, Duplicate, Master," etc.
6. In the "Key Number 1" box, record the key information and include all letters and numbers on the existing key if available. For example: 22x13 NA; 10M03 NC; AD HE. Building numbers refer to facilities with multiple buildings at the site. Boxes 2 and 3 can be used for additional keys, but request only one key code per box. Record the number of key copies requested of each code in the "copy no." box.
7. Sign, and fill in all of the information on the "key holder's signature" line at the bottom of the form, middle line.
8. Read and initial the bottom two lines in the "NOTE" section.
9. Forward the form to your Designated Authorized Signer to sign, filling in all of the information on the "key authorizer's signature" line at the bottom of the form, top line.
10. The Designated Authorized Signer should then forward the form to Alarm Services at the address at the top of the form. (Calvin C. Goode Building, 251 W. Washington, 2nd floor Mezzanine.)
11. Alarm Services will e-mail or call when keys are ready. Keys can be picked up at the Calvin Goode Building 2nd floor.

12.4 – Key Return Instructions

The following instructions shall guide the return of a key when it is no longer necessary for any reason.

1. Make any necessary changes in the site database.
2. Fill out a key issue/return form. (See Intranet site for the updated form.)
3. Mark the form "Return" in the "check all that apply" section.
4. Fill in all of the information in the "Received key(s) from" section.
5. Record the key information, for example: 22x13 NA, 10M03 NC, AD HE and building information in key box #1, 2 or 3 that are to be returned.
6. Sign, and fill in all of the information on the "key holder's signature" line at the bottom of the form, middle line.
7. Return the form and keys to Alarm Services at the address on the top of the form. (Calvin C. Goode Building, 251 W. Washington, 2nd floor Mezzanine.)

8. Alarm Services representative will sign the “key received by” section and return the form to you as a receipt.

12.5 – Key Duplication

All keys are property of the City of Phoenix. Duplication of keys by anyone other than authorized personnel is prohibited.

12.6 – Terminated or No Longer Required

Keys must be obtained from employees and contract workers and returned to the Designated Authorized Signer before the end of their last working day with the City of Phoenix and/or with the contracting department.

12.7 – Lost/Stolen Keys

Lost and stolen keys shall be immediately reported to the Designated Authorized Signer. Employees are required to file a Police report and obtain a Department Report (DR) number for lost and stolen keys. If a new key is required, the Designated Authorized Signer must generate a work order by contacting Public Works Department Work Control and complete and sign a new Key Request Form for the employee. Depending on the type of key and what facilities are controlled by the key, departments may be required to re-key the facility and absorb all costs associated to the re-key.

For contractors, lost and stolen keys shall be immediately reported to the contract worker’s contract manager. Contract workers are required to file a Police report and obtain a Departmental Report (DR) number for lost and stolen keys. The contracting department must establish a method for reporting lost and stolen keys during after-hours. The Contractor and contracting department may be required to bear the cost for re-keying locks and replacing keys. If another key is required, a new key request form must be completed and signed by the contracting department’s Designated Authorized Signer.

Section 13: Auditing

13.1 – Introduction

Frequent audits will depend on the level of security needed in each facility/area. Audits can be conducted in various forms. In high risks area, the department may want every employee to show their badges and keys to assure they are still active and in the employee’s possession. In lower risk areas, the audit can be performed by coordinating with the appropriate Human Resource liaison and working closely with the appropriate Badge Office. Any questionable issues related to auditing badges, access, any keys should be researched and the appropriate action taken to ensure assigned badges and keys are with the correct personnel and access is restricted to only those areas that are approved.

Keys should periodically be visually reviewed to ensure that employees are still in possession of the keys assigned to them.

Departments are responsible for developing an audit plan for reviewing access for their areas at least once annually (for high-risk areas, it is recommended that audits be performed more frequently). The audits should include, but not limited to:

A.R. 4.45

- Contract Worker Disclosure Forms copies for each contract worker
- Review of contract company files
- Name of firm and/or internal staff that conducted the background checks
 - Type(s) of Background Checks conducted
 - Background Check results
- Confirmation that the contract worker is still employed with the company
- Confirmation that the contract worker has an active badge in their possession

A.R. 4.44

- Employee's badge (physical inspection)
- Badge access (electronic access)
- Keys (physical inspection)
- Employee's with PIN Code access (electronic access via burglar alarm system key pads)
- Responsible Party (RP) Data and after-hour contact numbers
- Facility Dispatch Instructions

Badging Offices and the City Auditor may also perform audits as they deem necessary.

12.2 – Violations

Violations of the Badge and Access Controls and Contract Worker Background Check Administrative Regulations may result in disciplinary action.

Sample Badge Templates

Some departments have an approved variance and may provide another type of identification and/or access badge.

Employee Badge



Front

Back

Municipal Court Employee Badge



Front

Back

Some departments have an approved variance and may provide another type of identification and/or access badge.

Contractor Badge

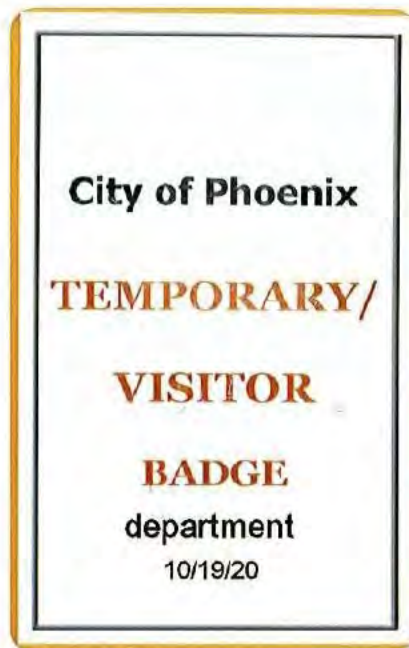


Front



Back

Temporary and Visitor Badges



Front



Back

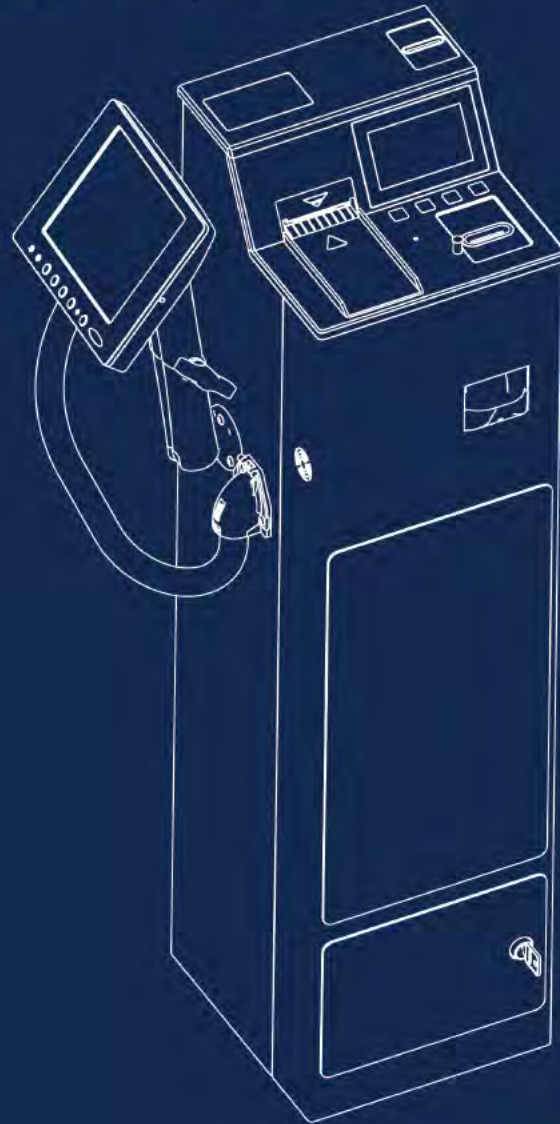
EXHIBIT 24
SCHEIDT & BACHMANN FAREBOX
REPAIR AND MAINTENANCE MANUAL

Service Manual

FareGo - Sales FB|30

Ver.: 2.00

Art. No.: 81 324150



Scheidt & Bachmann Fare Collection Systems GmbH
Breite Straße 132
D-41238 Mönchengladbach

Tel.: +49 2166 266-343
Fax: +49 2166 266-699
www.scheidt-bachmann.com

This document and its content including all components is copyright protected intellectual property of Scheidt & Bachmann Fare Collection Systems GmbH. Scheidt & Bachmann Fare Collection Systems GmbH reserves all rights concerning the work. The document is provided solely for the specification of the equipment and may only be used to perform the work described herein.

Any use that is not expressly permitted by the copyright laws of the Federal Republic of Germany or goes beyond the agreed or usual purpose requires the prior consent of Scheidt & Bachmann Fare Collection Systems GmbH. This applies in particular but is not limited to duplications, processing, translations, microfilming as well as storage and processing in electronic systems. Any unauthorized use is a criminal offence. Scheidt & Bachmann Fare Collection Systems GmbH will report every criminal offence without exception and file the corresponding criminal complaint.

The recipient of the document is obliged to treat its contents as strictly confidential and not to pass on the document or its contents to third parties or use it for his own or for other client's commercial purposes without the prior written consent of Scheidt & Bachmann Fare Collection Systems GmbH. The recipient shall ensure that neither he himself nor his employees or third parties reproduce, decompile and / or translate hardware or software codes or otherwise adapt, modify, dismantle or reverse engineer them.

All descriptions, general facts and information based on them are subject to technological change and Scheidt & Bachmann Fare Collection Systems GmbH reserves the right to change technical details with regard to data and illustrations. Therefore, Scheidt & Bachmann Fare Collection Systems GmbH expressly excludes any liability arising from or in connection with the information provided.

Scheidt & Bachmann Fare Collection Systems GmbH shall not be liable for direct and / or indirect damages resulting from incorrect operation by the customer or third parties; nor shall Scheidt & Bachmann Fare Collection Systems GmbH be liable for damages resulting from or in connection with the provision or use of this document. This exclusion of liability does not apply to the liability according to the (German) product liability law and / or any other mandatory liability according to the respective applicable national law.

The authorized recipient of the manual is allowed to forward this manual to its contract partner if it is necessary to fulfil its obligations towards them. In this case, the recipient is obliged to mark the documents as "confidential information" and to ensure that the document and all copies thereof are protected from unauthorised access in at least a manner that he uses to protect its own confidential information. This shall include at least the contract partner's obligation to treat the documents itself as confidential and to prohibit their disclosure, to oblige the contract partner to protect the documents from access by other third parties and to use them only within the framework of the corresponding agreement. In any case, Scheidt & Bachmann shall be informed of any transfer of documents.

© 2023 Scheidt & Bachmann Fare Collection Systems GmbH

Breite Straße 132

41238 Mönchengladbach

www.scheidt-bachmann.com

Subject to change.

Version	Date	Change	Edit
2.00	10/19/2023	First Version	Joosten

Table 1-1 Document History

Chapter 1 Introduction

1.1 Overview 8

1.2 Manual Organization 8

1.3 Important Warnings 9

Chapter 2 Safety

2.1 Overview 10

2.2 Safety Features 10

2.3 General Safety Guide 11

2.4 Protective Equipment 11

2.5 Special Tools 11

2.6 Presentation and Structure of Warnings 12

2.7 Device Safety Labels 13

2.8 Machine Safety Labels 14

2.8.1 Labels On Inside Of Device Enclosure 14

2.8.1.1 Model Number Label 15

2.8.2 Fuses 15

2.9 Special Tools 15

2.10 Warning Symbols 15

2.11 Disposal of Packaging Material 15

2.12 TÜV SÜD Listing Label 16

Chapter 3 Installation

3.1 General Description 19

3.2 Dimensions and Weight 19

3.3 Power Consumption 21

3.4 InputSite Placement 21

3.4.1 Farebox Mounting 21

3.4.2 Installation 22

3.5 Transport Equipment 23

3.5.1 Transportation to Site 23

3.5.2 Transportation at Site 23

3.5.3 Unpacking Fareboxes 24

3.5.4 Installing an OCU 26

3.5.5 Needs and Requirements for Farebox Installation 26

3.6 Farebox Mounting 28

3.6.1 Standard Installation Preparation 29

3.6.2 Mounting Plate 31

3.6.3 Installation Steps on the Vehicle 32

3.7 Farebox Wiring 36

3.8 Post-Installation Inspection 40

3.9 Service Contact 41

Chapter 4 Commissioning

4.1 Farebox Initialization 42

4.1.1 First Farebox boot 42

4.2 SysInit Start Screen 45

4.2.1 Sysinit Main Screen 46

4.2.2 Insert Master PIN 46

4.2.3 Choose Device Class 47

4.2.4 Select the Device ID 47

4.2.5 Initialization Overview 48

4.2.6 Software Loading 48

4.2.7 Initialization Complete 49

4.3 Backup Module Found 50

Chapter 5 Product description

5.1 Overview 52

5.2 Component Diagram and Logical Links 53

5.3 System Description 54

5.4 Interfaces 56

5.5 Locks and keys 57

5.6 OCU Functionality and Mounting Options 57

5.7 Passenger Information Display (PID) 58

5.8 Audible Feedback to Operator and Passengers 58

5.9 Farebox Integration with CAD/AVL System (Option) 59

5.10 Cash Handlings 59

5.10.1 Coin Handling 59

5.10.2 Bill Handling 60

5.11 Jam Clearing and Bypass 62

5.12 Cashbox 62

5.13 Printer (Option) 64

5.14 Barcode Scanner (Option) 66

5.15 Power Pack / Power Supply 67

5.16 FB|30 PC 68

Chapter 6 Service Commands

6.1 Service Commands 70

6.2 Service Commands Used for Troubleshooting 70

6.2.1 Command <034> Technical Error Report 70

6.2.2 Command <044> Event Report 71

6.3 Service Screens 72

6.3.1 Service 72

6.3.2 Service Terminal Emulator Logon 72

6.3.3 Service Terminal Emulator Logoff and Shut Down 76

6.4 New and enhanced Maintenance Menu 77

Chapter 7 Revenue Service

7.1 Revenue Service 82

7.2 Complete System Operation 83

7.2.1 Logging On/Off the Garage Computer 83

7.2.2 Probing a Farebox (Normal Operation) 85

7.3 Normal Vaulting 85

7.4 Normal Data Download 85

7.5 Manual Probing of a Farebox 86

7.5.1 Manual Uploading at a CCS Workstation 91

7.5.2 Offline Data Transfer 94

7.5.3 Reviewing Last Data 98

7.6 Cashbox Vaulting 98

7.6.1 Log On Instructions 98

7.6.1.1 Power Up The Workstation 98

7.6.1.2 Enter Windows 98

7.6.2 Start The Main module 98

7.6.2.1 How to Log On 99

- 7.6.3 Log On and Log Off for Revenue Agents 102
- 7.7 Vaulting Functions of the Workstation..... 104
- 7.7.1 Status Screen Description..... 106
- 7.8 Thresholds 109
- 7.9 Clear Cashbox Timeout..... 112
- 7.10 View Revenue Agents 113
- 7.11 Cashbox In Transfer..... 114
- 7.12 Paper roll change 115
- Chapter 8 Preventive Maintenance**
- 8.1 Preventive Maintenance..... 118
- 8.1.1 Preventive Maintenance Schedule Summary 119
- 8.1.2 Replaceable Modules 120
- 8.1.3 Replaceable Consumable 121
- 8.1.4 Cleaning Supplies 121
- 8.2 Farebox PM 122
- 8.2.1 Interior PM Procedures 122
- 8.2.2 Exterior PM Procedures 122
- 8.2.3 Housing PM Schedule..... 123
- 8.2.3.1 Housing PM Procedures 123
- 8.2.3.2 Cooling Fan Element 123
- 8.2.4 Smart Card Antenna PM Procedures 123
- 8.2.5 Patron Display PM Procedures 123
- 8.2.5.1 Pushbutton Assembly PM Procedures..... 123
- 8.2.6 Operator Display PM Procedures 123
- 8.2.7 Speaker PM Procedures 124
- 8.2.8 Door Locking Mechanisms PM Procedures 124
- 8.2.9 Smart Card Reader/Smart Card Antenna 124
- 8.2.10 Bill Transporter 124
- 8.2.11 Thermal Printer 124
- 8.2.12 Coin Verifier..... 125
- 8.2.13 Bill Acceptor 127
- 8.2.14 Cooling Fan..... 127
- 8.3 Functional Test..... 128
- 8.4 Tightening Torques FB|30..... 131
- 8.4.1 Application case screw connection with welding stud..... 131
- 8.4.2 Application case OCU 132
- 8.4.3 Application case cable fixing 133
- 8.4.4 Application case installation of locks..... 134
- Chapter 9 Troubleshooting**
- 9.1 System Status And Fault Indicators..... 136
- 9.2 First Line Maintenance..... 142
- 9.2.1 Fingertip Service 142
- 9.3 Troubleshooting Overview 142
- 9.4 Error Identification and Analysis 142
- 9.5 Event Codes 143
- 9.6 Spare Parts 144
- 9.7 Functional Test..... 146
- 9.8 Test Procedure 149
- 9.9 User Interface Problems without Event Code(s)..... 167
- 9.9.1 No Main Power to Farebox 167

9.9.2	Patron LCD Display Dark	169
9.9.3	OCU Troubleshooting	169
9.10	OCU Replacement	169
9.10.1	Smart Card Reader Troubleshooting	170
9.11	Problems without Event Code(s)	170
9.11.1	Power System Troubleshooting	170
9.11.2	Boot Problem from PC	170
9.12	Shut Down Procedure	171
9.13	Remove and Replace the Power Pack	171
9.14	Remove and Replace the PC	171
9.14.1	Return To Service Procedure	172
9.14.2	Functional Test	173
9.15	Coin Jam	173
9.15.1	Clearing Coin Jams Manually	173
9.16	Bank Note Jam	176
9.16.1	Bank Note Transporter	177
9.17	Printer (Variant)	178
9.17.1	FB30 Thermal Printer Test Ticket	179
9.17.2	Return To Service Procedure	180
9.17.3	Functional Test	180
9.18	Remove and Replace the Farebox Hood	181
9.19	Remove and Replace the OCU	182
9.20	Remove and Replace the Speaker	183
9.21	Remove and Replace the Start Button	184
9.22	Remove and Replace the Antenna	185
9.23	Remove and Replace the Hood Locking	186
9.24	Remove and Replace the Cashbox Door Lock	187
9.25	Remove and Replace the CB Connection with Antenna	188
Chapter 10 Glossary		
10.1	Glossary of Terms and Abbreviations	190
Chapter 11 Appendix		
11.1	Additional Documents	198

Chapter 1 Introduction

1.1 Overview

The service manual provides complete, detailed instructions for maintenance technicians responsible for servicing, maintaining, and repairing the device.

Concise instructions for maintaining, troubleshooting, and repairing the device along with comprehensive charts, tables, graphs, and other diagrams provide a technical document for the device that is easy to use and understand.

The service manual also acts as a step-by-step instructional guide that can be used by technical trainers and trainees to provide or receive instructions on the device.

This manual reflects Scheidt & Bachmann's commitment to providing our Customers with comprehensive technical documentation for the device along with training guidelines to augment our customer training program.

1.2 Manual Organization

The organizational structure of the service manual is outlined below.

- Chapter 1 - Introduction
- Chapter 2 - Safety
- Chapter 3 - Installation
- Chapter 4 - Commissioning
- Chapter 5 - Product description
- Chapter 6 - Service Commands
- Chapter 7 - Revenue Service
- Chapter 8 - Preventive Maintenance
- Chapter 9 - Troubleshooting (and Remedial Maintenance)
- Chapter 10 - Glossary
- Chapter 11 - Appendix

1.3 Important Warnings

NOTICE

Scheidt & Bachmann Fare Collection Systems GmbH is not liable for injuries to any person or damage to the Equipment resulting from failure to comply with the manufacturer's instructions or documentation. This disclaimer includes all third party documentation prepared by OEMs and provided as a courtesy by Scheidt & Bachmann Fare Collection Systems GmbH. to its customer.

All AFC equipment is TÜV SÜD NRTL listed (Listing pending). To continue to be compliant with UL 62368-1 requirements, please note that the following items need to be performed during installation:

- ✓ Storage temperature -22 °F to 140 °F (-30 °C to 60 °C)
- ✓ Operating Temperature: 4°F to +125°F (-16°C to 52°C) (switch on)
- ✓ 32°F to 110°F (0°C to 43°C) (Equipment turns on at low and high ends of operating temperatures and is subject to a warm-up or cool-down process initiated by the equipment and the changing ambient temperature (heating/ventilation/air conditioning) of the vehicle interior. This feature brings the interior components to the ideal temperature for optimal performance.)
- ✓ Solar Load +250 BTU/hr/ft²
- ✓ Thermal Shock: Gradient 1 °C/min in the range of 5°F to 68°F (-15 °C to 20 °C)
- ✓ Rel. Humidity: 5% - 95%, non-condensing
- ✓ Instructions, warnings and equipment markings related to safety shall be in the languages acceptable in the country in which the equipment is to be installed
- ✓ The equipment is to be installed by qualified personal in accordance with provided installation instructions and local/national installation/wiring requirements.
- ✓ Equipment is evaluated for use on brand circuits protected at 20A. If used on circuits with protection at higher levels. additional evaluation may be required.
- ✓ Ensure compliance with all Safety Regulations and Safety Recommendations.

NOTICE

Please read this manual and all referenced documents carefully before attempting to install or maintain this device. Failure to follow the instructions in this manual and the instructions or notes in the installation drawings may cause injury to yourself or damage the equipment and ultimately compromise the operability of the equipment.

Scheidt & Bachmann Fare Collection Systems GmbH.

Breite Straße 132
D-41238 Mönchengladbach

Phone: +49 2166 266-343

Fax: +49 2166 266-699

E-Mail: farecollectionsystems@scheidt-bachmann.de

<https://www.scheidt-bachmann.de/en/fare-collection-systems/contact/>

Chapter 2 Safety

2.1 Overview

This chapter deals with safety. It provides information and instruction on the safe handling, maintenance and repair of Scheidt & Bachmann fare collection equipment.

NOTICE

Please read this manual and all referenced documents carefully before attempting to work with this equipment. Failure to follow these instructions may cause injuries or damage the equipment.

Not all of the warning labels or hazards described in this chapter are attached to each type of fare collection equipment. For example, only those labels that apply to the device, and that are required to meet certification requirements, will be found in and on the device. Be cautious and observant, and look for such warning labels and potential hazards.

NOTICE

Scheidt & Bachmann Fare Collection Systems GmbH is not liable for injuries to any person or damage to the equipment resulting from failure to comply with these instructions or documentation. This disclaimer includes all third party documentation provided by Scheidt & Bachmann Fare Collection Systems GmbH. Failure to follow manufacturer's instructions may invalidate any or all warranties, expressed or implied.

2.2 Safety Features

Safety engineering is an integral part of Scheidt & Bachmann's designs. Maintenance technicians must perform maintenance and repair in accordance with industry safety standards including OSHA and other federal, state, and local codes and regulations. Close attention to proper safety precautions is of the utmost importance. Equipment should be installed, maintained, and repaired only by trained, qualified personnel using reasonable care. Improper installation, maintenance, or repair procedures may damage the equipment or cause serious personal injury or death. This chapter should be carefully read and thoroughly understood before handling, storing or working on Scheidt & Bachmann fare collection equipment. It is the responsibility of the maintenance agency to ensure that the safety instructions in this manual are read, understood, and implemented by properly trained maintenance and service technicians. All persons who work with Scheidt & Bachmann fare collection equipment should also be trained in safety principles and their application.

2.3 General Safety Guide

All electro-mechanical devices, such as fare collection equipment, create certain risks. These risks can generally be avoided by taking reasonable care and precautions, and by following the instructions provided.

- Only qualified, trained technicians should perform maintenance or repair.
- Service technicians must read and understand all operating and service instructions.
- Turn electrical power off before opening any electrical enclosure.
- Do not operate the machine with the cover of any enclosure, or the guard or covers over any mechanism, removed.
- Do not turn on the device when components are disconnected.
- Do not use the equipment for any purpose other than that for which it was designed.
- All branch circuits for hard wired units must be suitable for the unit ratings.
- The generally accepted rules of electrical engineering as well as the generally accepted rules of mechanical engineering shall be binding for all work performed on the device!
- The device may only be opened and maintained by people who have been trained and informed in detail about all safety instructions by Scheidt & Bachmann Fare Collection Systems GmbH.
- Replacement of fuses must be done with equivalent type and rating.
- Never perform any interventions, modifications or changes on the device.
- There may be moving parts inside the unit. There is a risk of crushing hands and fingers. Keep hands and fingers away from moving parts.
- Only use original parts or spare parts to prevent subsequent damage.

2.4 Protective Equipment

Technicians should use care when working with solvents and other cleaning agents that may be abrasive or have a tendency to cause irritation to the skin or eyes. Read all labels and safety datasheets carefully and follow instructions for the use of protective gear (e.g. gloves, safety glasses) when working with chemicals (e.g. cleaning agents) or compressed air.

2.5 Special Tools

In general, no special tools are required to ensure the safety of technicians when working with Scheidt & Bachmann fare collection equipment.

However, a standard ESD (Electro Static Discharge) safety wrist strap should be worn when working with electrostatic sensitive printed circuit boards.

NOTICE

Interference in the range of the operating frequency and its multiples can lead to limited operability of the touch screen.

- 2.6 Presentation and Structure of Warnings The following warnings are used to indicate risks:

 DANGER

Indicates a hazardous situation which, if not avoided, will result in death or serious injury.

 WARNING

Indicates a hazardous situation which, if not avoided, could result in death or serious injury.

 CAUTION

Indicates a hazardous situation which, if not avoided, could result in minor or moderate injury.

NOTICE

This refers to information or a potential risk that may lead to property damage.

2.7 Device Safety Labels

Safety labels indicate hazards during operation of the device.

The position of the safety labels is indicated in **Figure 2-1** . The meaning of the different safety labels is explained in **Table 2-1** .

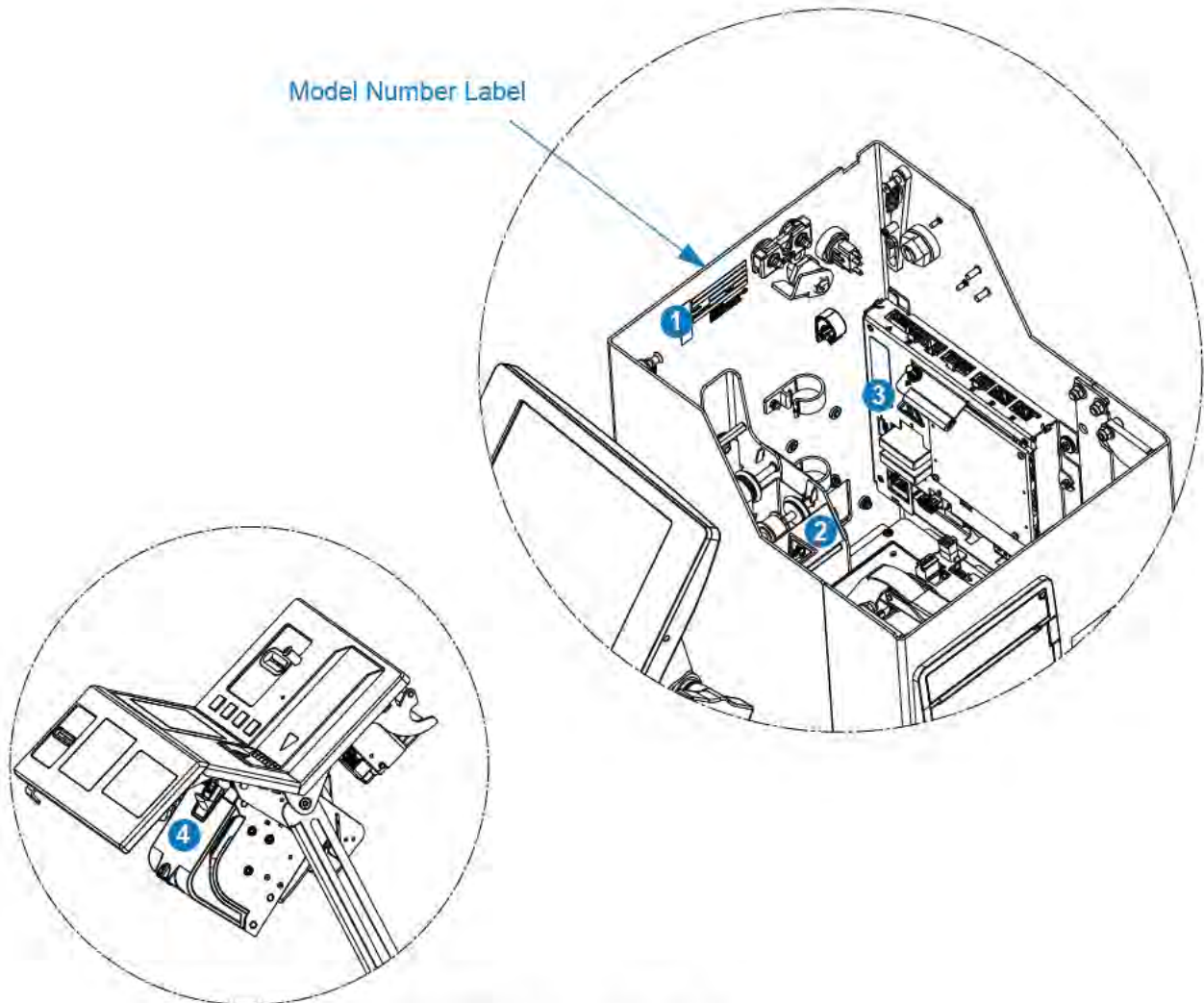


Figure 2-1 Location of Safety Labels





Label Number	Safety Label	Description
1		Model Number Label see Section 2.8.1.1, Model Number Label
2		The hand entanglement/rotating gears label is used to indicate an entanglement hazard (such as the risk of crushing or cutting fingers) that can cause serious injury to the technician.
3		Hot surfaces!
4		An electrostatic-sensitive device (ESD) is any component (primarily electrical) which can be damaged by common static charges which build up on people, tools, and other non-conductors or semiconductors.

Table 2-1 Safety Labels

2.8 Machine Safety Labels

The device has safety labels on some internal components to alert service technicians and other personnel that a safety hazard may exist when working on certain machine sub-assemblies.

A series of different labels is used within the machine. The following paragraphs describe these labels and note the location within the machine where they will be found. It is important to read and understand this information thoroughly.

NOTICE

- All safety relevant information:
- Safety Symbol Sticker
 - Warning Signs
 - Safety Instructions in the manual
- are not to be removed, pasted over or made unrecognisable in any other way.

2.8.1 Labels On Inside Of Device Enclosure

There are several labels used on the assemblies located on the inside of the device enclosure. These labels and their meanings are described below.

2.8.1.1 Model Number Label

The Model Number Label shown in **Figure 2-2** is found inside the device, and also on all main modules. This label indicates the drawing or part number as well as the serial number. The index after the part number indicates the hardware release. It will be changed in conjunction with hardware updates, i.e. index "A" will become index "B."

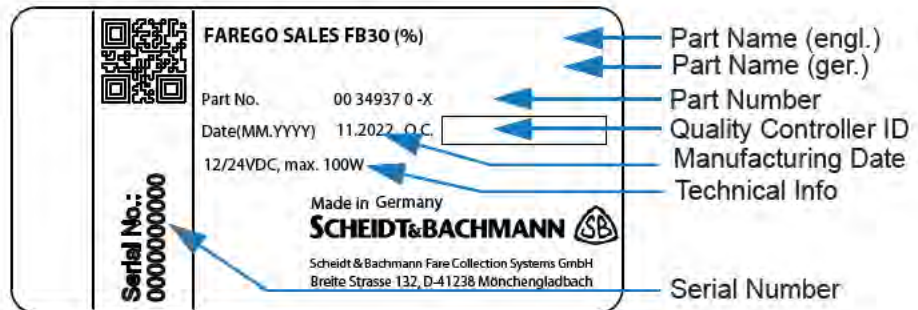


Figure 2-2 Model Number Labels (Example)

2.8.2 Fuses

CAUTION

Risk of Shock and Fire Hazard!

For continuous protection against risk of shock and fire hazard,
 ► replace only with same type of fuse.

2.9 Special Tools

There are no special tools required to ensure the safety of the service technician. However, ESD protection is required for all procedures involving contact with electrostatic sensitive printed circuit boards. The use of a standard ESD safety wrist strap is required when working with electrostatic sensitive printed circuit boards.

2.10 Warning Symbols

The Warning Symbol indicates a potential for serious damage to the equipment or serious injury to the maintenance or service technician. Extreme care should be taken when performing procedures that are preceded by this symbol.

2.11 Disposal of Packaging Material

After unpacking, please dispose of all packaging material properly and in accordance with all applicable environmental regulations.

WARNING

Risk of Suffocation by Plastic Foils!

Plastic foils, bags, and Styrofoam parts etc. may become dangerous toys for children.

- Do not leave packaging material lying around!
- Packaging materials must be kept out of reach children!

2.12 TÜV SÜD Listing Label

(Listing pending)

The TÜV SÜD label is located next to the hood latches inside the farebox on the rear side of the housing. This label indicates that the AFC device is TÜV SÜD listed. TÜV SÜD is a Nationally Recognized Testing Laboratory (NRTL) by the Occupational Safety and Health Administration (OSHA) to test products to applicable product safety standards. Certificate U8 115133 0012.



Figure 2-3 The TÜV SÜD Listing Label

Chapter 3 Installation

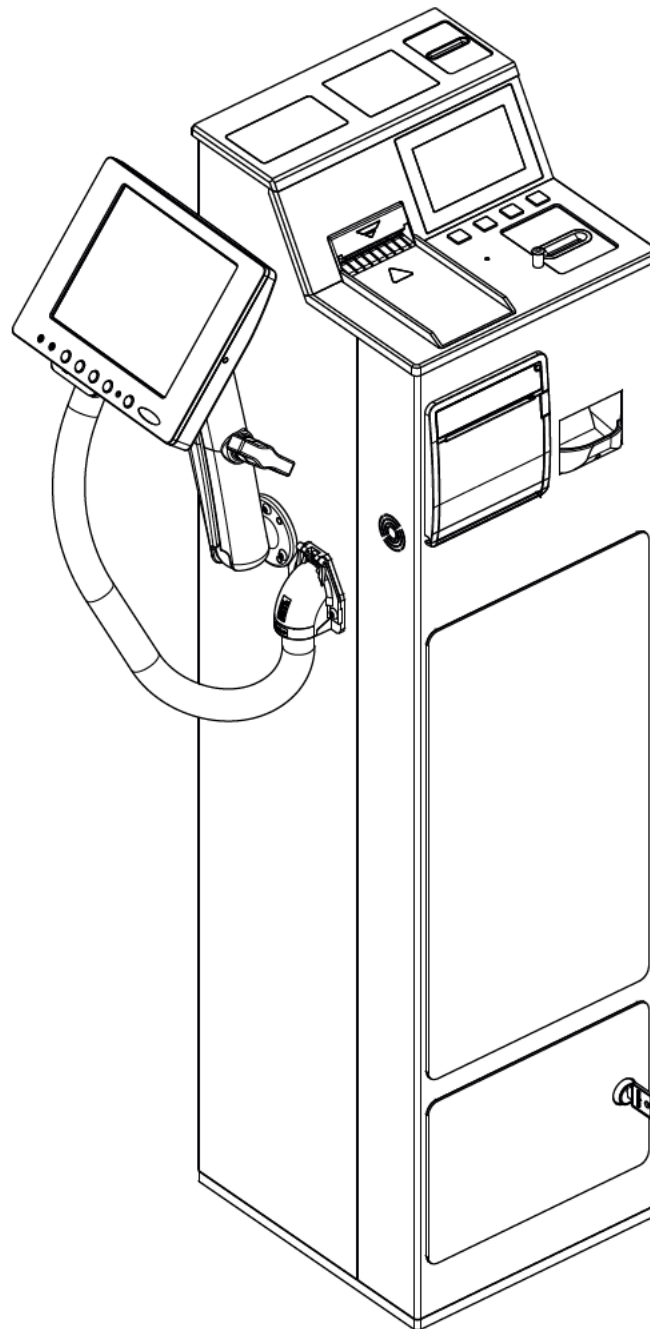


Figure 3-1 Farebox

3.1 General Description

By way of general introduction, the following information is provided for use by anyone installing a Farebox:

- Use a Machinery Mover for transport on stairs.
- To avoid damage, deliver Fareboxes to the installation location in the original Scheidt & Bachmann (S&B) packaging.

The information listed above is introductory. Detailed descriptions and drawings may be found throughout this chapter. The following warnings should be heeded as well.

NOTICE

The Transit Authority is responsible for installing the Farebox.
 Two or more people should transport and install each Farebox.
 Do not drop or bang the Farebox!

NOTICE

The Farebox can tip over. Never allow the Farebox to tip over. It must be kept upright and transported to its installation location upright.

3.2 Dimensions and Weight

Table 3-1 shows Farebox dimensions. Figure 3-2 illustrates the dimensions.

Farebox	Farebox Unpacked	Farebox Packed
Width	10.6"	Approximately 21.7"
Height	41.1"	Approximately 53.5'
Depth	10.9"	Approximately 26"
Weight	Approximately 160 lbs.	Approximately 205 lbs

Table 3-1 Farebox dimensions

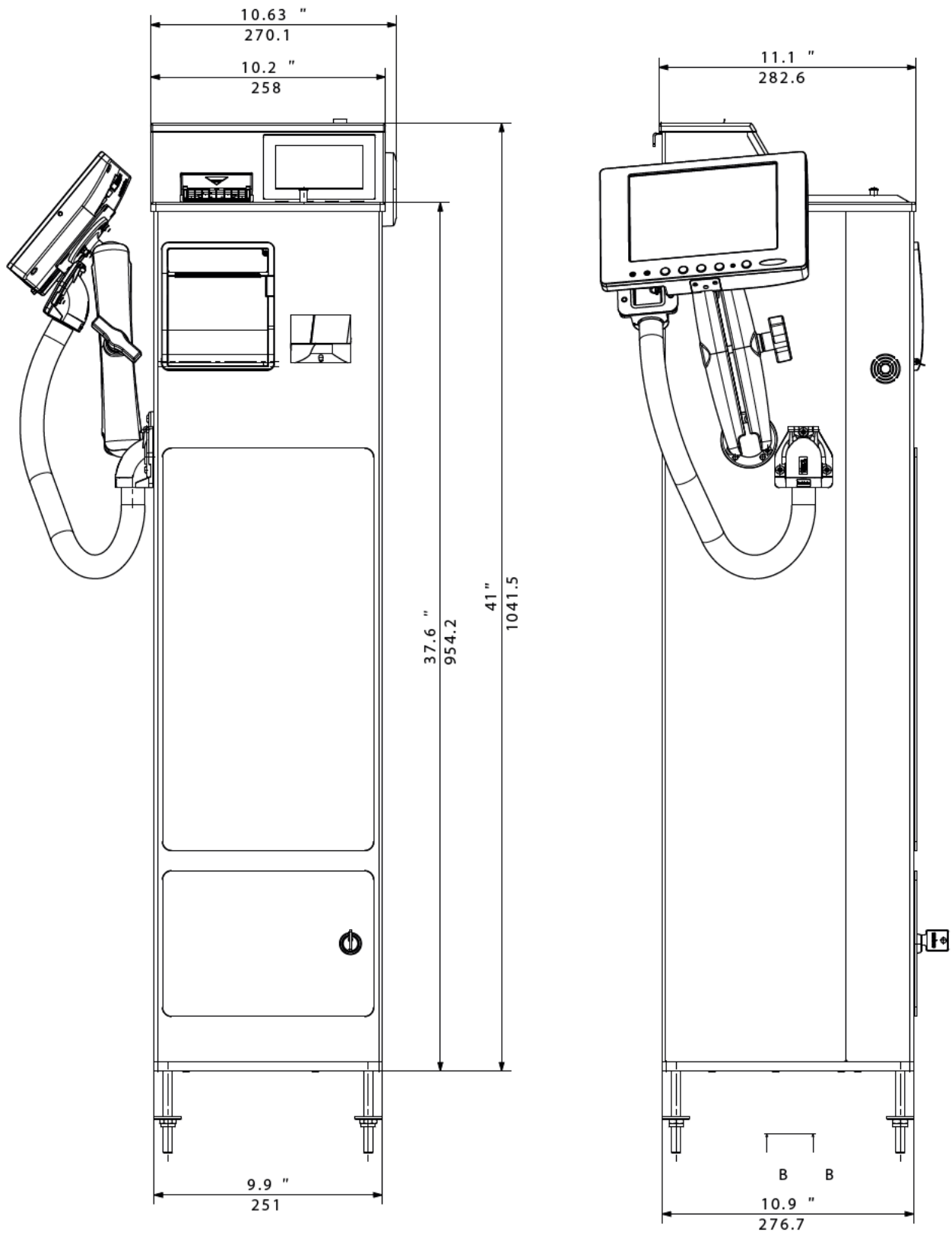


Figure 3-2 Farebox Dimensions

3.3 Power Consumption

The Power Converter of the Farebox will convert the DC primary voltage from the vehicle power net into several voltages needed by the Farebox internal components.

Input Voltage: 12VDC or 24VDC

Power Consumption: Pmax 220W

For details please refer to drawing 81323420 and Sect. 3.7.

3.4 InputSite Placement

Placement of the Farebox in the vehicle is important. Scheidt & Bachmann and the Transit Authority agree on placement. The Transit Authority, its architect, and installers are responsible for:

- Ensuring clearance and access requirements are met.
- Ensuring the weight-bearing capacity of the vehicle floor.
- Ensuring the security of the vehicle from preparation to completion of installation.

3.4.1 Farebox Mounting

During transportation and installation of the Farebox, the non-operational environmental and storage conditions of **Table 3-2** must be met. The requirements for Farebox mounting must be met. Observing these requirements is the responsibility of the Transit Authority, its architect, and installers.

Non-operational Environmental Condition	Acceptable Range
Storage temperature	-22 °F to 140 °F (-30 °C to 60 °C)
Operational temperature	4°F to +125°F (-16°C to 52°C) (switch on)
Solar Load	+250 BTU/hr/ft2
Thermal Shock	Gradient 1 °C/min in the range of 5°F to 68°F (-15 °C to 20 °C)
Humidity	5% - 95%, non-condensing

Table 3-2 Non-Operational Environmental Conditions

In particular, the Patron Display, which is the primary means of communication with patrons, should be properly protected from any source of strong light. The environmental conditions in **Table 3-2** apply when the Farebox is installed but not operational.

3.4.2 Installation

When installing Fareboxes, the following clearances must be provided.

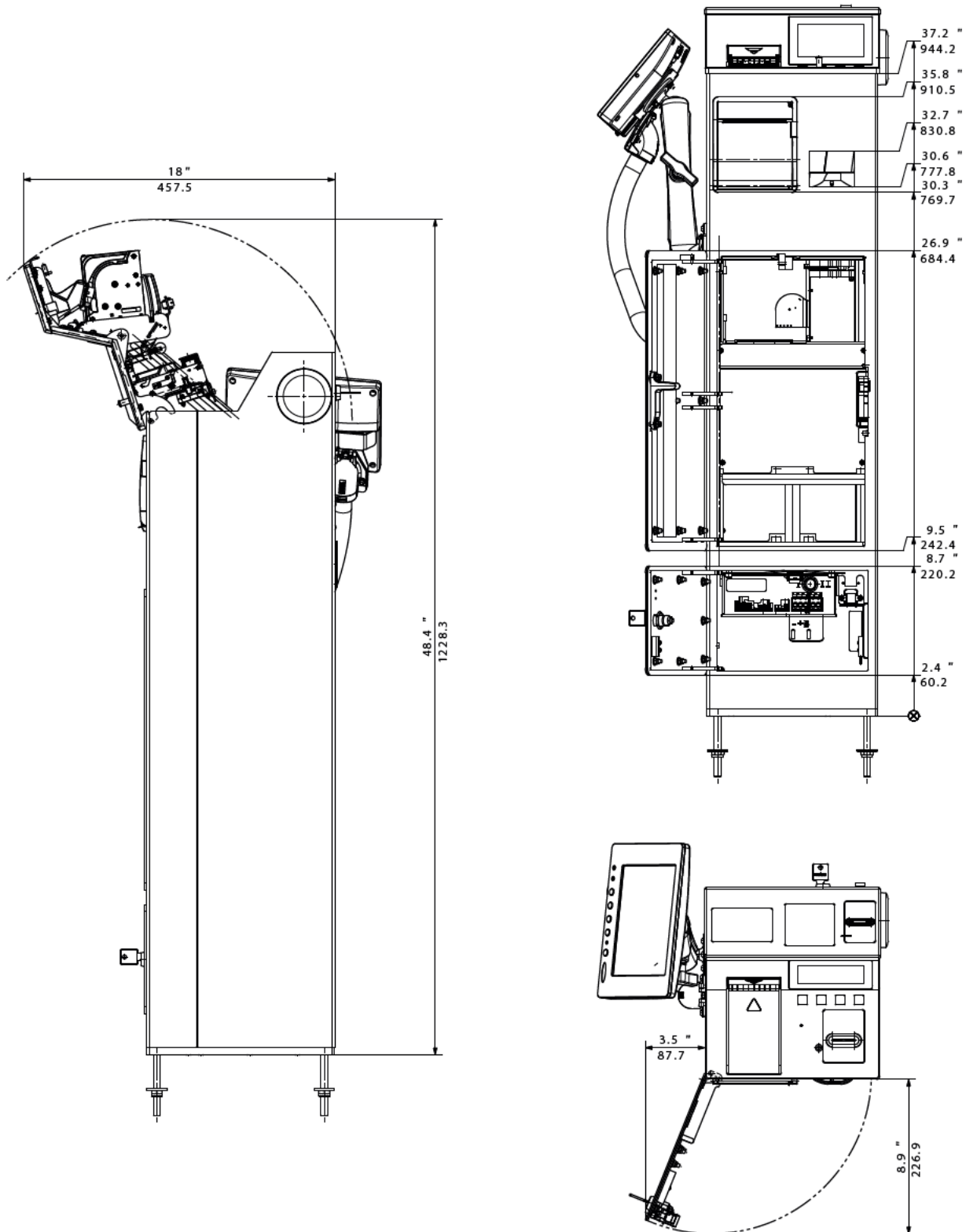


Figure 3-3 Farebox Installation Clearances

3.5 Transport Equipment The Fareboxes must be transported to the Transportation Authority work site and then to the prepared installation location by the safest possible means.

3.5.1 Transportation to Site The Farebox must be transported to the Transportation Authority work site by a safe, motorized means of transportation. Scheidt & Bachmann recommends enclosed trucks of sufficient size and weight bearing capability. The trucks should have motorized lift gates of sufficient capability to either lift or lower one pallet containing four fully packaged Fareboxes at a time. Each Farebox should be transported to the work site upright and in the original S&B packaging.

NOTICE Do not drop or bang the Farebox!

3.5.2 Transportation at Site Tools such as a pallet lifter and machinery mover are used to transport Fareboxes and to install them. Scheidt & Bachmann recommends a pallet lifter similar to the WESCO Part # 272153, capacity 1,100 pounds. Scheidt & Bachmann recommends a machinery mover similar to the Rais-N-Rol 2000 pound capacity, Model # 260091, with binding accessories to secure the Farebox while moving on sloped surfaces and stairs. These are examples. Other, similar or better tools may be used by the installer.

NOTICE Use two or more people to transport and install each Farebox!
 Fareboxes may not be lifted with a crane!
 The Farebox must be transported upright and not allowed to tip over!

3.5.3 Unpacking Fareboxes

Fareboxes should be unpacked with great care. When shipped from Scheidt & Bachmann, the entire Farebox (with the exception of the OCU) is pre-assembled and packaged as a unit. The Fareboxes are laid with Top Covers and bases alternating (in a pattern such as this: $\uparrow \downarrow \uparrow \downarrow$). The shipping container is a sturdy wooden crate with one-inch foam padding separating each unit, see **Figure 3-4**. The OCU is shipped separately in an individual cardboard box with form-fitting foam inserts. When the crate arrives at its destination, the required number of Farebox units are removed and an OCU is mounted on the side of each.

NOTICE

All packaging materials, including the wooden shipping crate, must be returned to Scheidt & Bachmann after the last Farebox has been removed.

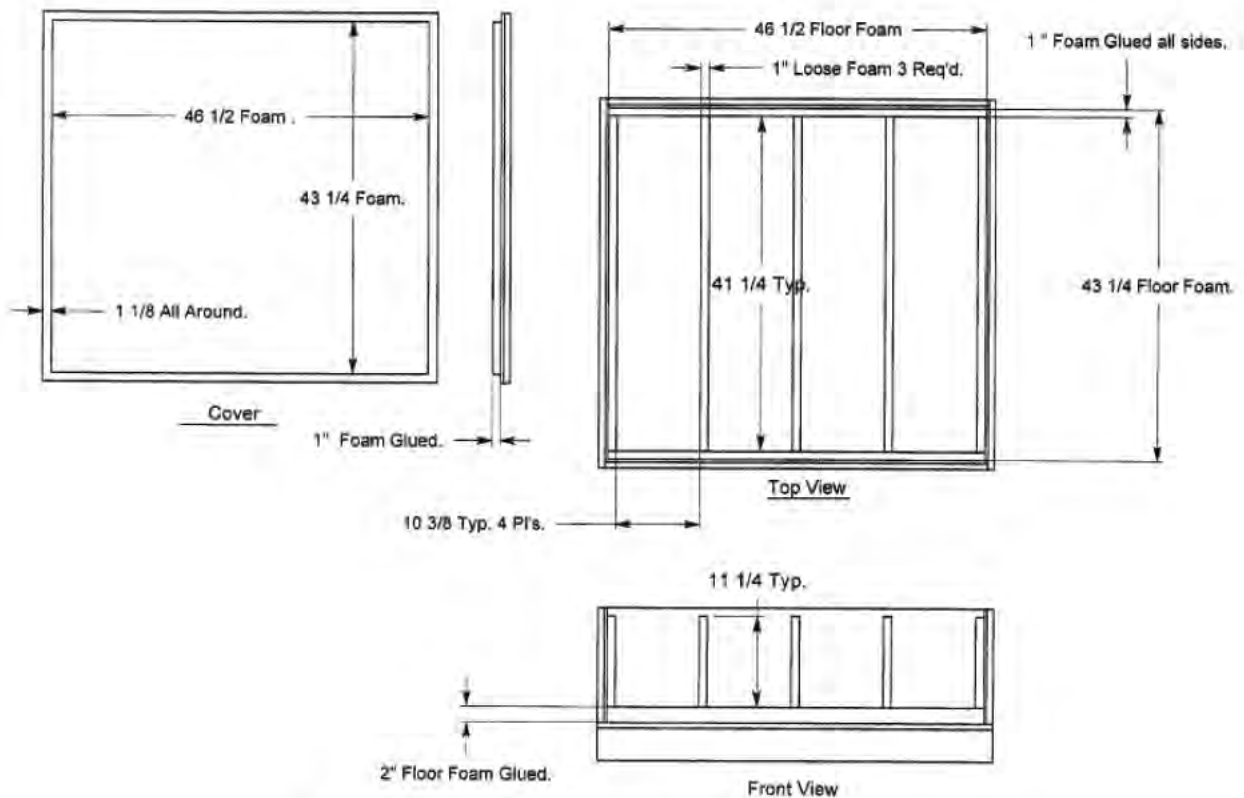


Figure 3-4 Farebox Shipping Crate

The Fareboxes should be unpacked as described in the steps below. First, a Farebox should be uncrated and placed upright. Then, the cardboard box containing the OCU should be opened. Leave the remaining Fareboxes in the shipping crate and keep the remaining OCU boxes sealed until called for to avoid the possibility of accidental damage. Any damage discovered when unpacking any part of the Farebox should be noted and reported to Scheidt & Bachmann. Machines that pass the visual inspection are ready for installation.

- Step 1** Remove and save the screws securing the top of the Farebox shipping crate.
- Step 2** Lift the top off the shipping crate and set aside.
- Step 3** Remove one Farebox from the crate and raise it to an upright position.
- Step 4** Protect the remaining Fareboxes in the shipping crate by setting the top in place over the opening.

NOTICE

If the remaining Fareboxes will be transported to a different location, or if they will be placed in storage for final assembly later, be sure to cushion them and secure them in the crate before screwing down the top.

Step 5 Visually inspect the Farebox for damage.

Step 6 Cushion any Farebox units remaining in the shipping crate if the crate must be re-sealed and stored or delivered to a different location.

NOTICE

Leave the remaining Fareboxes in the shipping crate until the crew is ready to remove another one for installation at the same location. If the remaining Fareboxes will be placed in storage until a later time or transported to another location, cushion them and secure them in the shipping crate to prevent any sliding and screw the top of the crate back in its original position.

3.5.4 Installing an OCU

The Operator Control Unit (OCU) mounts to the Farebox Housing via an adjustable mounting support arm. The mounting arm is already attached to the ball joint on the back of the OCU before shipment. Attaching the OCU and arm to the Farebox Housing, and connecting the cable from the Farebox to the OCU are covered in the steps below.

Use the following procedures to install an OCU onto the ball joint on the side of the Farebox Housing:

- Step 1** Carefully open the cardboard shipping container with the OCU Module and mounting armature.
- Step 2** Remove the upper section of the form-fitting foam packaging material and set aside.
- Step 3** Grasp the OCU securely with both hands.
- Step 4** Lift the OCU and the attached armature straight up and out of the cardboard shipping container.
- Step 5** Attach the OCU by loosening the hand-clamp on the armature socket and fit it onto the Farebox ball joint.
- Step 6** Tighten the hand-clamp until the socket holds both ball joints securely.
- Step 7** Lock the hand-clamp in position with the provided key.
- Step 8** Attach the cable from the Farebox to the secured cable connector terminal at the back side of the OCU by unscrewing the four Phillips-head screws on the security plate and then attaching the two cable connector screws.
- Step 9** Re-attach the security plate with the four Phillips-head screws.

3.5.5 Needs and Requirements for Farebox Installation

The following preconditions must be met by the installer before installing the Farebox.

The installer must check the following items:

- ✓ Is there enough space available for the Farebox housing and clearances?
- ✓ Is each power supply operational and providing adequate power? Use a volt meter or similar device to verify.
- ✓ Are all cables terminated and labeled correctly?
- ✓ Is the communication cabling present and working? Use appropriate test devices to test continuity. Use a test device to test the CAD/AVL J1708 dialog from end-to-end.
- ✓ Is the wireless LAN working? Use appropriate test devices to verify.
- ✓ Are the Farebox and mounting assemblies available?
- ✓ Is a regular metric tool set available? A 174 piece SAE/Metric tool set with 4 drive tools, 10 wrenches, and 121 additional tools, similar to the Alltrade 320329 Tool Set with Tool Box, and both a permanent marker (or color spray) and a bubble level, should provide the installer all the necessary tools to make any adjustments, connections, or installations required.
- ✓ Are a pencil and pad of paper available for note taking, such as noting IP addresses and check list verification?
- ✓ Are a drilling machine, 0.4" drill and 0.04" drill available?
- ✓ Are cable binders available? Panduit cable binders in these sizes are most useful: 3-7/8 inches by 0.098 inches (99 mm by 2.5 mm), 8 inches by 0.098 inches (203 mm by 2.5 mm), and 5-5/8 inches by 0.142 inches (142 mm by 3.6 mm).

- ✓ Is the device is configured in the Central Computer System database (Garage Controller), and is the software is available for download? Verify with the Central Computer System Administrator.
- ✓ Is the Cashbox available and ready for insertion into the Farebox? Verify the ready indicator is not showing a red color. If a red color is displayed, contact the designated Transit Authority personnel for rearming.
- ✓ Are all consumables available?
- ✓ Have appropriate safety precautions been taken before installation? Remove the fuse so that no wires are “live” during installation. Use a volt meter to verify that power is off.
- ✓ Are the cables ready to connect? Use a cable test device to verify the continuity of cables from connector to connector.
- ✓ Have power wires, low voltage cables, and communication lines been tested using appropriate devices?
- ✓ Are the Top Lid Lock, PC/PP Assembly Door Lock, and Ticket Door Lock keys available?
- ✓ Does the installer have access to all electrical and communication areas to ensure proper setup and installation?
- ✓ Are all doorways and other openings of sufficient size to ensure a proper transportation path from the curb-side drop-off point to the final installation location?

3.6 Farebox Mounting

The Farebox mounting is done in two steps. The first step is to secure the Farebox Mounting Plate (a separate component from the Farebox) to the floor of the vehicle (**Figure 3-5**). Insert four recessed mounting bolts from the top, and secure from the bottom with appropriate washers and nuts. The second step (**Figure 3-6**) is to secure the Farebox to the Mounting Plate. From the inside of the Farebox, pass five screws through the bottom of the Farebox, and insert into threaded holes in the Mounting Plate.

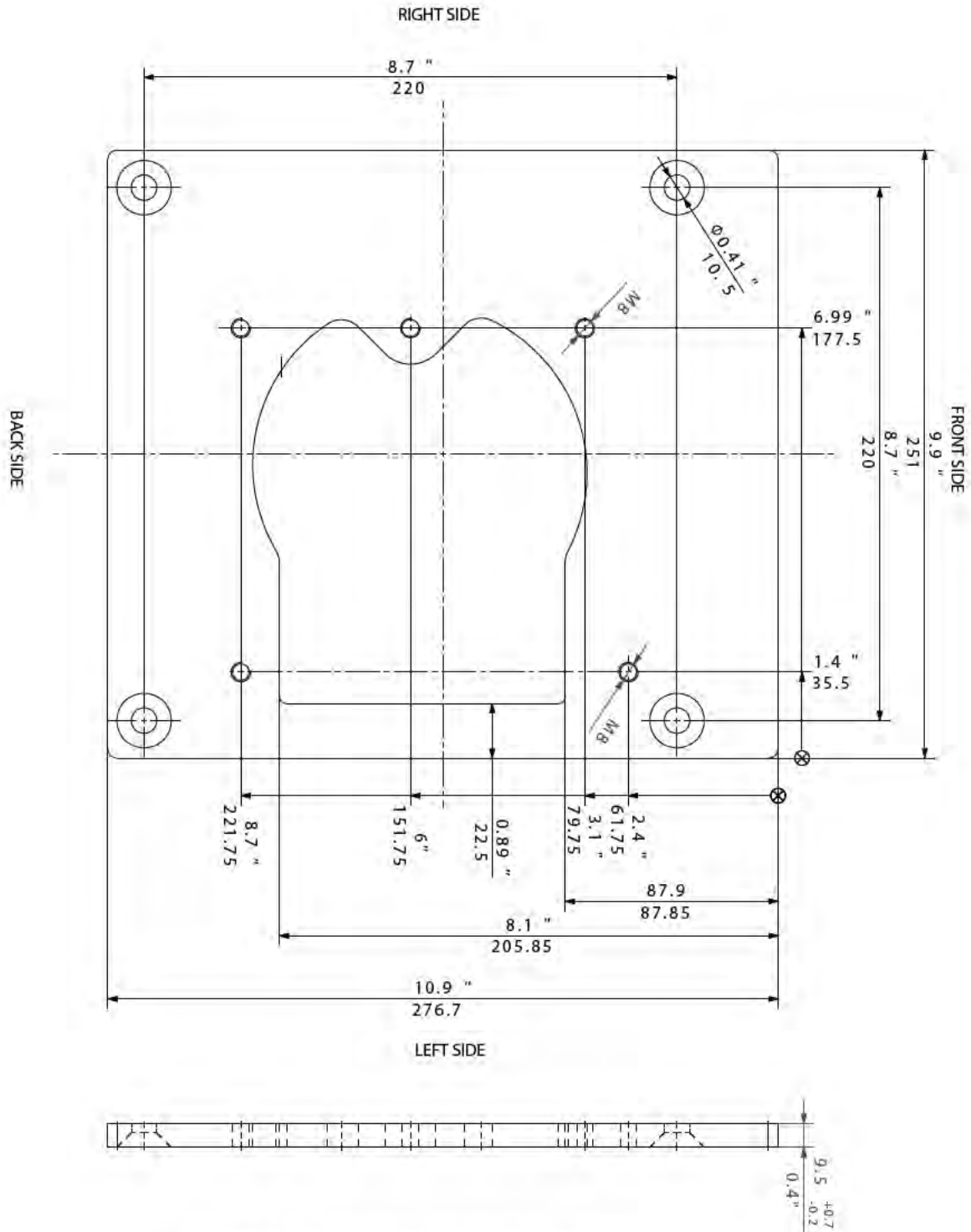


Figure 3-5 Farebox Mounting Plate Diagram

3.6.1 Standard Installation Preparation

See **Table 3-3** for the materials provided to install a Farebox.

NOTICE

Use the specified anchor bolt hardware. If a longer bolt is required, use the shortest possible bolt while ensuring the threads extend beyond the nut.

NOTICE

Scheidt & Bachmann recommends the use of a manual wrench or socket wrench and an anti-seize compound such as Loctite Nickel Grade Anti-seize lubricant or the equivalent. Pneumatic tools and air guns are not recommended as they tend to overheat, damaging the screws, threads, and nuts. Do not exceed the torque setting of 17 foot-pound as recommended in **Step 5** on page 31.

Part Name	Quantity	Part Number	Position
Mounting Plate	1	03 846450	1
NutM10	4	70 033130	2
Screw M10x50	4	70034380	3
Washer	4	70 031770	4
Screw M8x 16	5	70 012560	5
Washer	5	70032390	6

Table 3-3 Install Base Plate Parts List Part No. 03869130

Part Name	Quantity	Part Number
J1708 Connector	1	50 680060 or optional as show in drawing 03 323420 page 3
Power Connector	1	Connector part of the Power Supply or optional as shown in drawing 03 323420 page 3

Table 3-4 Install Electrical Parts

Part Name	Quantity	Part Number
Ignition / Power Connector	1	Connector part of the Power Suplpy or optional as show in drawing 03 323420 page 3
7.5 Amp Fuse 24V Farebox	1	50 666960
15 Amp Fuse 12V Farebox	1	50 668000

Table 3-4 Install Electrical Parts

3.6.2 Mounting Plate

Follow these steps to fasten the mounting plate to the vehicle floor.

Step 1

Use a Mounting Plate for positioning and marking the drill holes.

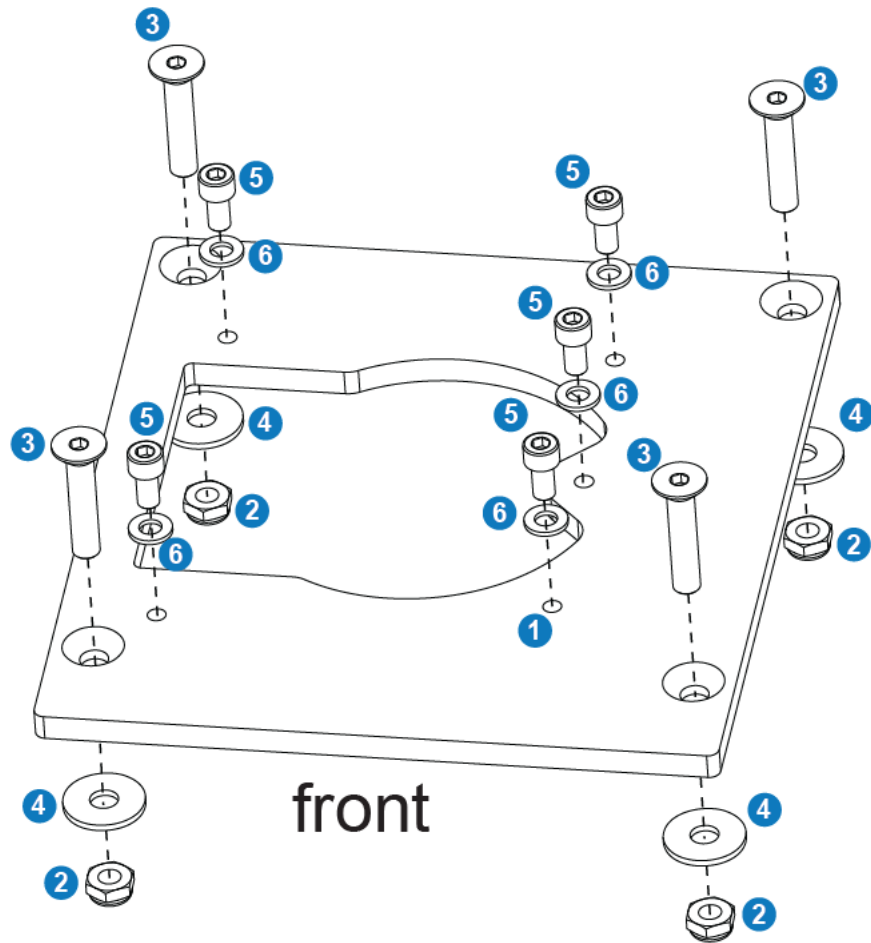


Figure 3-6 Mounting Plate Installation

Step 2

Drill the four holes.

Step 3

Place the Mounting Plate exactly so that the holes line up.

Step 4

Insert the four bolts (3) through the mounting plate and the vehicle floor.

Step 5

Secure the four bolts (3) with four nuts (2) and four washers (4) from the underside of the floor and tighten securely. Use a torque setting of 27 foot-pound. The mounting plate is now fixed to the vehicle floor.

3.6.3 Installation Steps on the Vehicle

With the Mounting Plate attached to the vehicle floor, follow these steps to install the Farebox in the vehicle.

NOTICE

Be careful not to place the Farebox on top of existing cable connectors. Damage to connectors may result.

- Step 1** Set the Farebox onto spacers above the Mounting Plate.
- Step 2** Open the Service Door.
- Step 3** Disconnect the cables of the Power Pack.
- Step 4** Remove the Power Pack Assembly.
- Step 5** Remove the Cable entry cover.

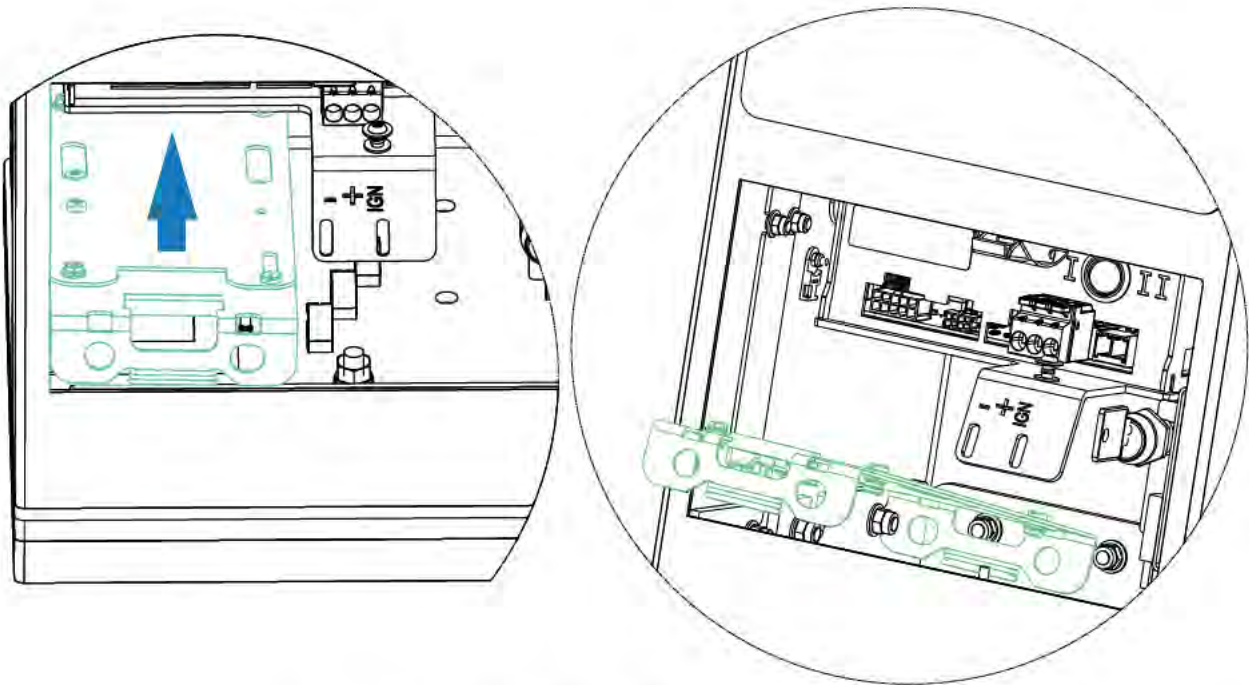


Figure 3-7 Cable Entry Cover

- Step 6** Insert the Vehicle cables (length 20") into the Farebox and use the three cable guide clips.

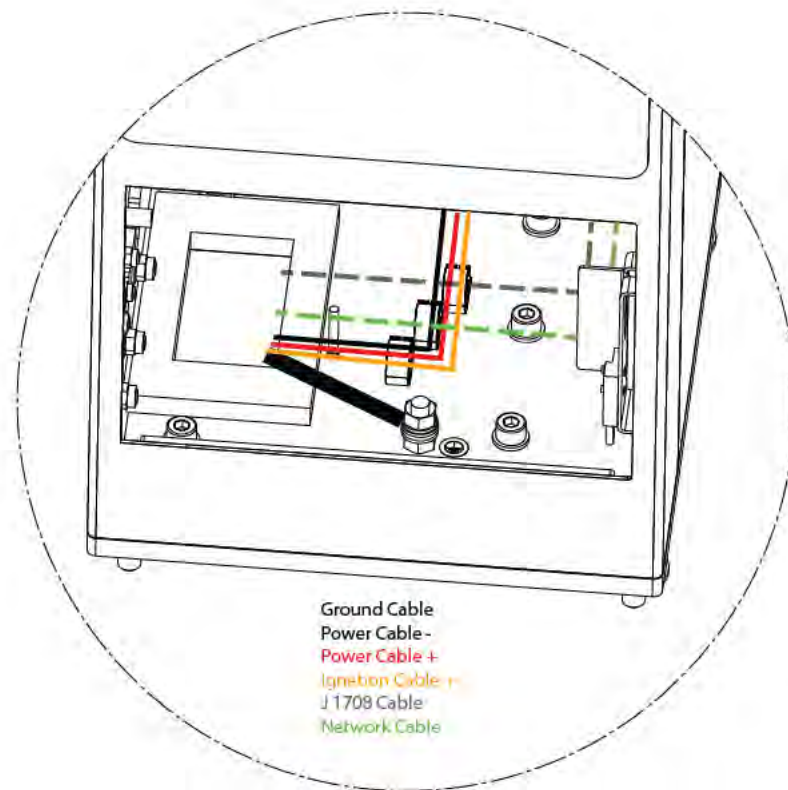


Figure 3-8 Cable Entry

- Step 7** Remove the spacers and place the Farebox in alignment with the mounting plate.
- Step 8** Secure the Farebox from the inside with the five mounting screws (5) and five washers (6). Use a torque setting of 13 foot-pound.
- Step 9** Connect the Ground strap as show in **Figure 3-8**.
- Step 10** Connect the CAD/AVL cable (if available) as show in drawing 03 323420 page 1 or optional as show in drawing 03 323420 page 3.

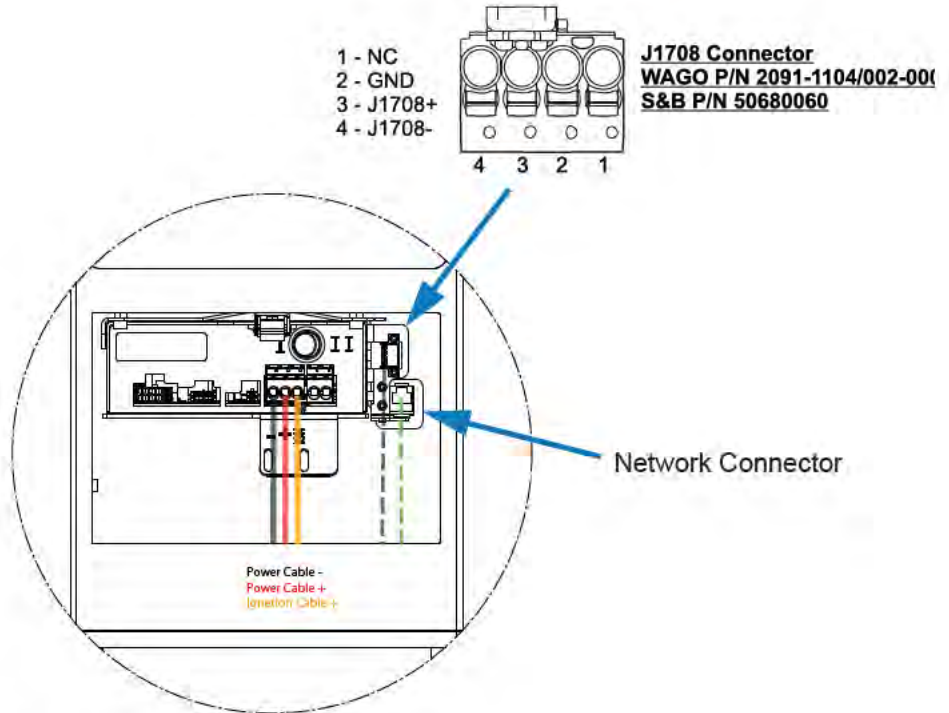


Figure 3-9 J1708 Connector

- Step 11** Connect the LAN cable (if available) as show in drawing 03 323420 page 1.
- Step 12** Place the cables into position and attach the cable strain relief.

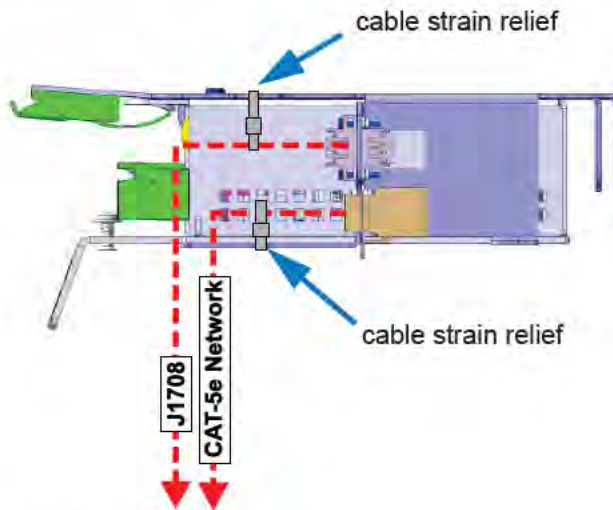


Figure 3-10 LAN Connection

Step 13 Install the cable entry cover.

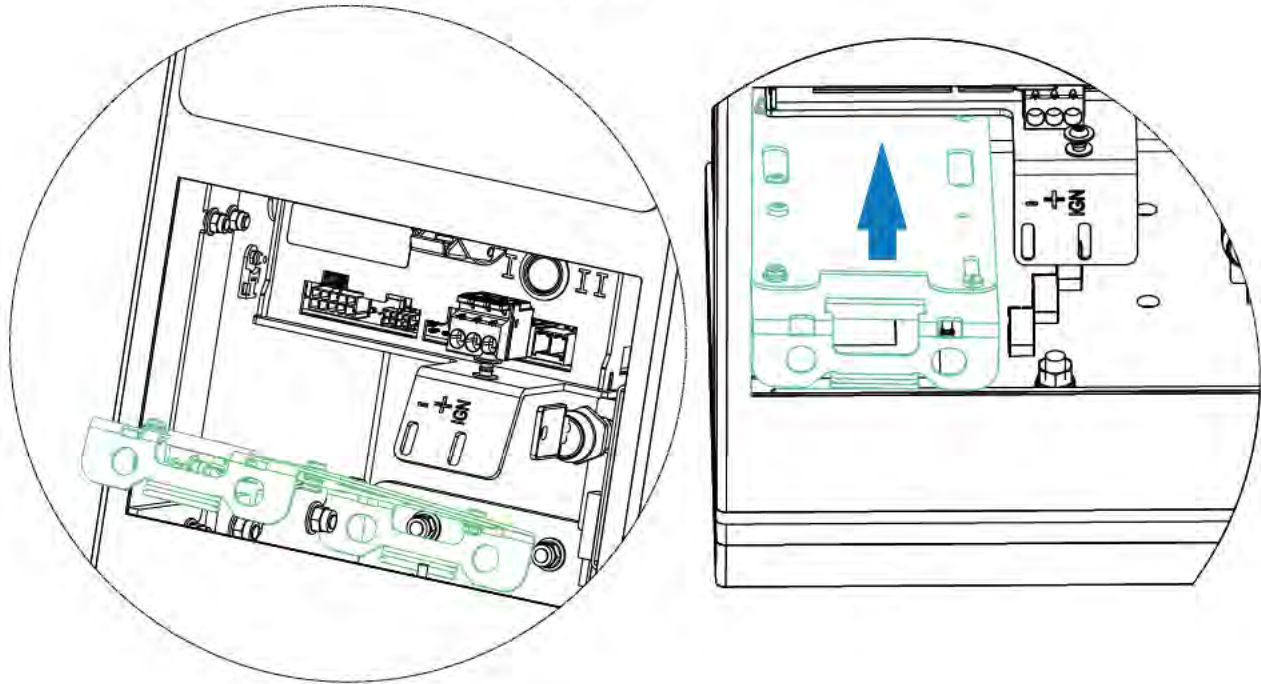


Figure 3-11 Cable Entry Cover

- Step 14** Insert the Power Pack Assembly and secure the Unit.
- Step 15** Connect the vehicle power cable to the connections as show in drawing 03 323420 page 1 or optional as show in drawing 03 323420 page 3.
- Step 16** In a 12 volt vehicles use a 15A fuse (S&B No. 50668000) in the main power line and in a 24 volt vehicle use the 7.5A fuse (S&B No. 5066696).
For the ignition line, use an appropriate fuse. In the power supply unit, the ignition line is protected by a 0.5AT fuse.

3.7 Farebox Wiring

The installer will provide an electrician to pull cables from the vehicle connection box into the Farebox. The installer will provide an electrician to connect the power and communications cables to the connectors. (refer to S&B 8132342 0 full-size drawing for clarity).

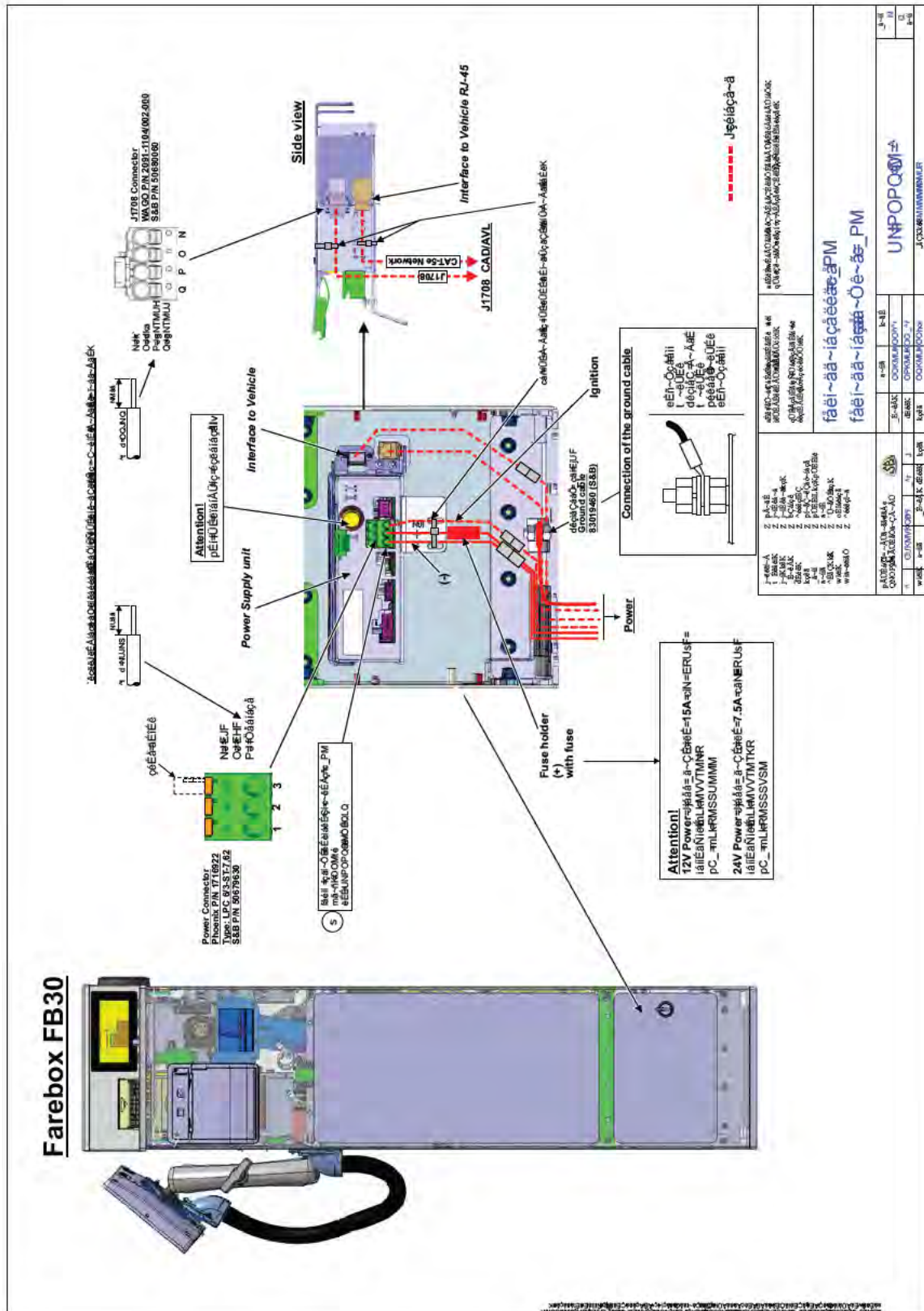
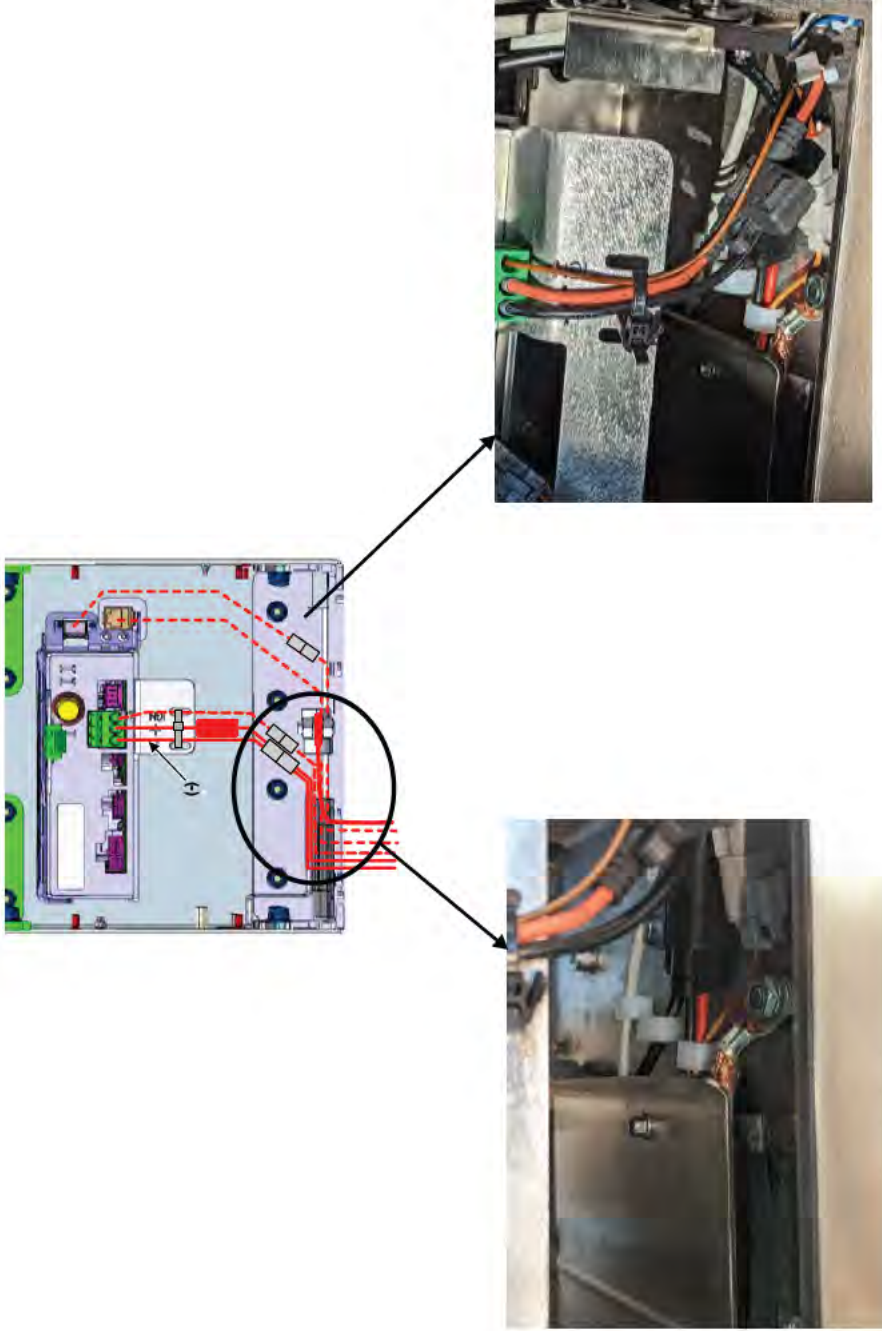


Figure 3-12 Installation Requirement Farebox (for example only)

Wiring connection detail



<p>З - фаза N - нуль PE - заземлення + - позитивний потенціал - - негативний потенціал * - резервний контакт - - контакт</p>		<p>З - фаза N - нуль PE - заземлення + - позитивний потенціал - - негативний потенціал * - резервний контакт - - контакт</p>		<p>З - фаза N - нуль PE - заземлення + - позитивний потенціал - - негативний потенціал * - резервний контакт - - контакт</p>	
<p>З - фаза N - нуль PE - заземлення + - позитивний потенціал - - негативний потенціал * - резервний контакт - - контакт</p>		<p>З - фаза N - нуль PE - заземлення + - позитивний потенціал - - негативний потенціал * - резервний контакт - - контакт</p>		<p>З - фаза N - нуль PE - заземлення + - позитивний потенціал - - негативний потенціал * - резервний контакт - - контакт</p>	
<p>З - фаза N - нуль PE - заземлення + - позитивний потенціал - - негативний потенціал * - резервний контакт - - контакт</p>		<p>З - фаза N - нуль PE - заземлення + - позитивний потенціал - - негативний потенціал * - резервний контакт - - контакт</p>		<p>З - фаза N - нуль PE - заземлення + - позитивний потенціал - - негативний потенціал * - резервний контакт - - контакт</p>	
<p>З - фаза N - нуль PE - заземлення + - позитивний потенціал - - негативний потенціал * - резервний контакт - - контакт</p>		<p>З - фаза N - нуль PE - заземлення + - позитивний потенціал - - негативний потенціал * - резервний контакт - - контакт</p>		<p>З - фаза N - нуль PE - заземлення + - позитивний потенціал - - негативний потенціал * - резервний контакт - - контакт</p>	

Figure 3-13 Installation Requirement Farebox (for example only)

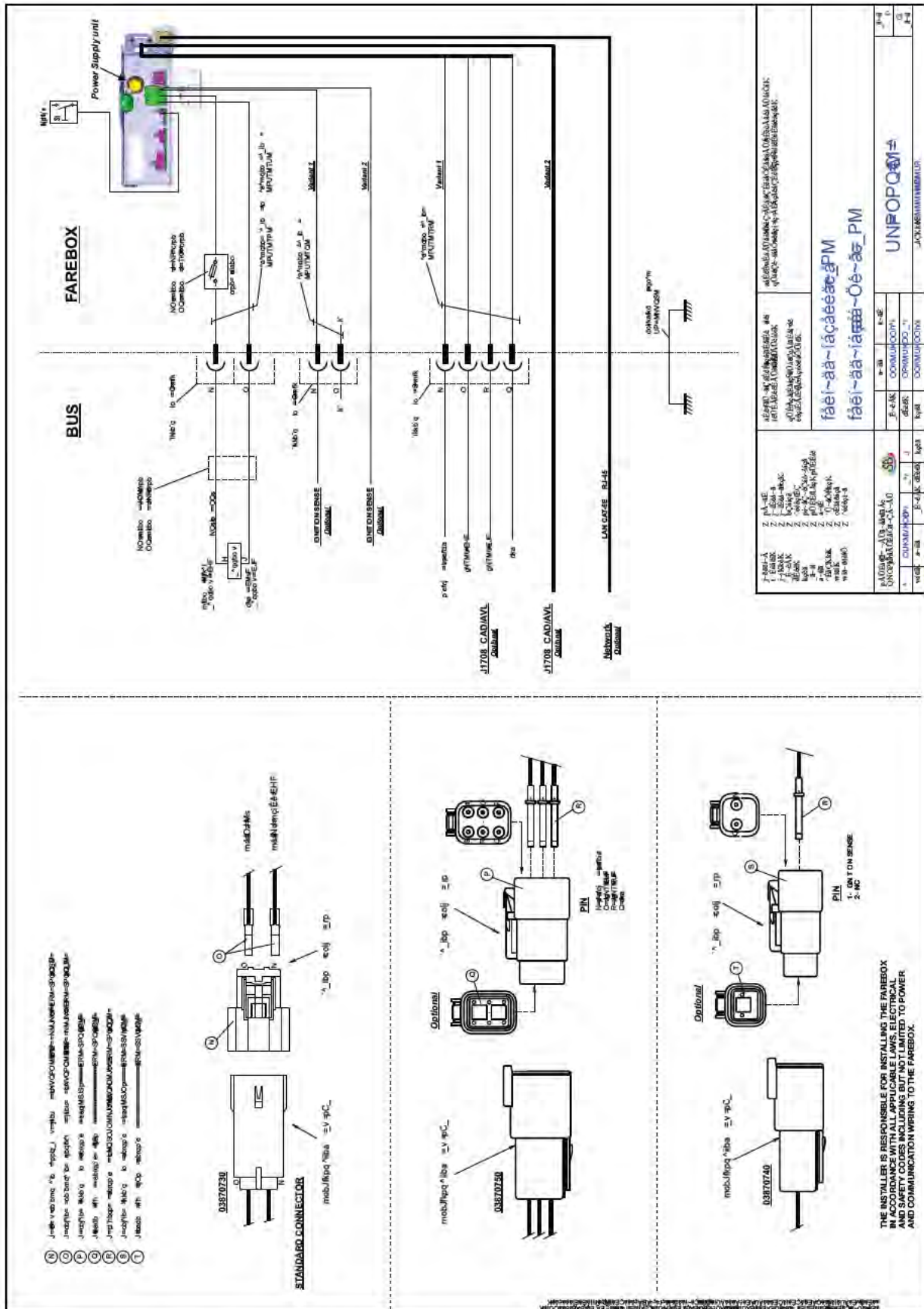


Figure 3-14 Installation Requirement Farebox (for example only)

Cable ID	Function	Cable Type	Origin	Destination	Min. Length	Supplied By
Power	Customer Power	refer to drawing 03 323420 Table 1	Bus Connection Terminal	Farebox Connection Box	12" - 20"	Others
J1708/ J15871	CAD/AVL	min 6 + AWG 24 - 20	Bus Connection Terminal	Farebox Connection Box	20"	Others
83 01946	Ground	Flexible copper ground cable AWG 8	Vehicle	Farebox Housing	15.7" - 31.5"	S&B

Table 3-5 Power Consumption

3.8 Post-Installation Inspection

Once the subcontractor has successfully installed the Farebox, certain quality checks should be undertaken. At a minimum, check the following items:

- ✓ Visually check for damages.
- ✓ Check to ensure the Farebox is securely mounted to the floor.
- ✓ Check the physical mounting and adjustment of the OCU. It should be secure, locked, and in position for the driver to see it.
- ✓ Power-on the Farebox. The Farebox should boot-up.
- ✓ Check clearances for service and maintenance access. Please refer to **Figure 3-3** on page 22.
- ✓ Verify communication with the wireless LAN, and ensure that the Farebox can connect successfully to the Garage Communication Server when it is within range of the garage WiFi.

When these checks are successfully completed, the Farebox is ready for initialization.

3.9 Service Contact Scheidt & Bachmann Fare Collection Systems GmbH
1001 Pawtucket Boulevard
MA 01854, Lowell

Phone:
+1 781 273 6574

Mail:
service-fcs@scheidt-bachmann.com

Homepage:
<https://www.scheidt-bachmann-usa.com>

RMA and Part repair requests contact:
rma-fcs@scheidt-bachmann-usa.com

Chapter 4 Commissioning

4.1 Farebox Initialization

This document describes how to initialize a Farebox.

- Step 1** Insert a System SATA-DOM into port one.
- Step 2** Power on the farebox and wait until booted.
- Step 3** Farebox shut down wait until farebox shuts down on its own (long time).
- Step 4** Insert Backup SATA-DOM into port two.
- Step 5** Power on the farebox and wait until booted.

NOTICE

Now the system is ready for initialization.

4.1.1 First Farebox boot

On the first boot of the Farebox, the OCU shows a blank System Initialization (Syslnit) screen. (see **Figure 4-1**).



Figure 4-1 Farebox Start Screen with Syslnit

After the boot is done, the SyslnitCall application waits for the Initialization USB stick.

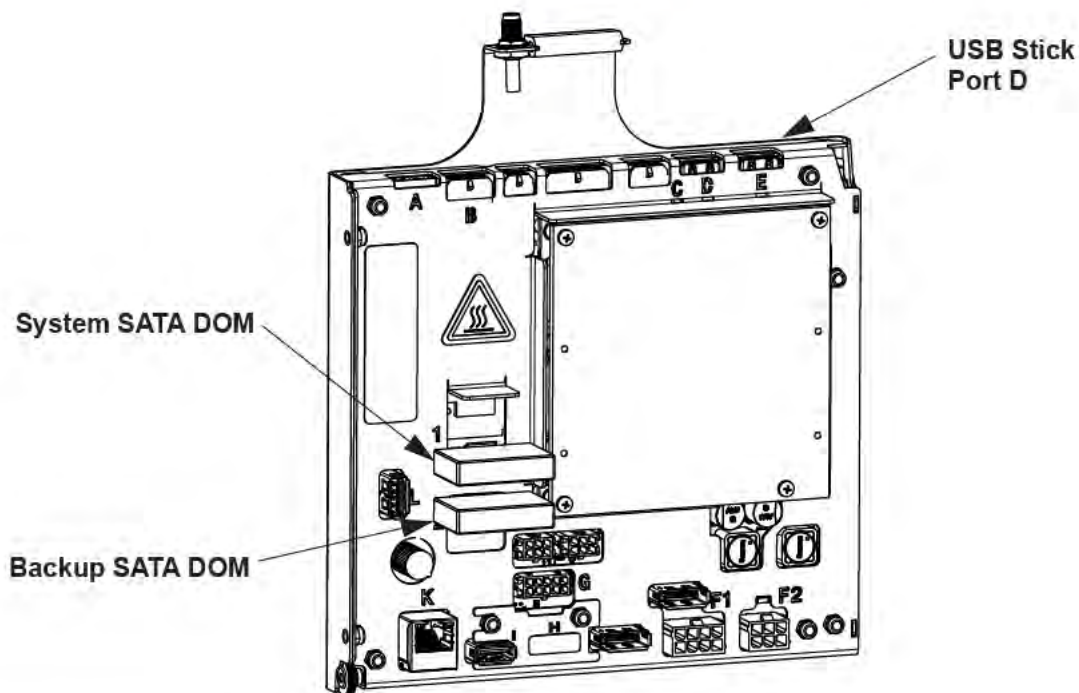


Figure 4-2 Where to insert the USB Data Carrier



Figure 4-3 SysnitCall search

When the Sysnit data carrier is found, the screen in **Figure 4-4** appears. Follow the screen calibration process.

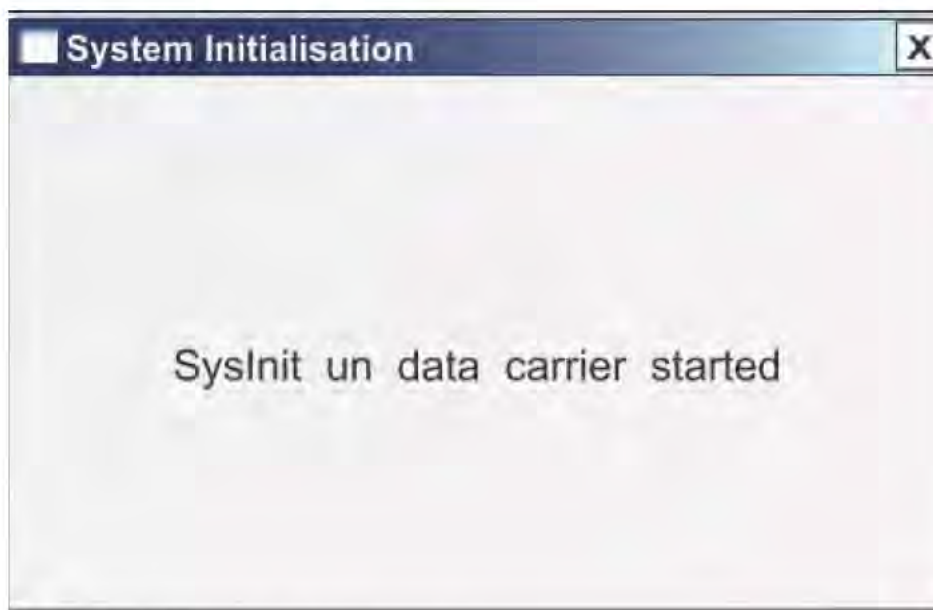


Figure 4-4 SyslnitCall found Data carrier

The Syslnit application starts.

4.2 SysInit Start Screen

It is necessary to calibrate the screen as requested in **Figure 4-5**.

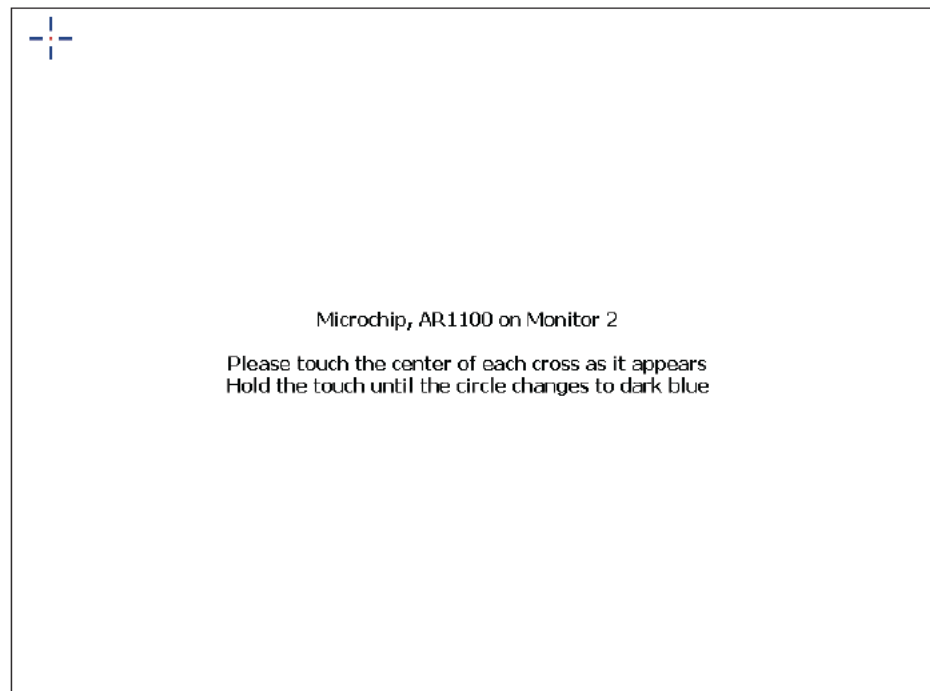


Figure 4-5 SysInit Calibration Screen

4.2.1 Sysinit Main Screen

The system initialization main screen appears in **Figure 4-6**.



Figure 4-6 Sysinit Main Screen

4.2.2 Insert Master PIN

Enter the Master PIN to confirm that you are authorized to perform this action. If you are installing a Farebox for the first time, you will not be prompted for the Master PIN.

Using the Keypad, insert the Master PIN for example 123456 as shown in **Figure 4-7**.

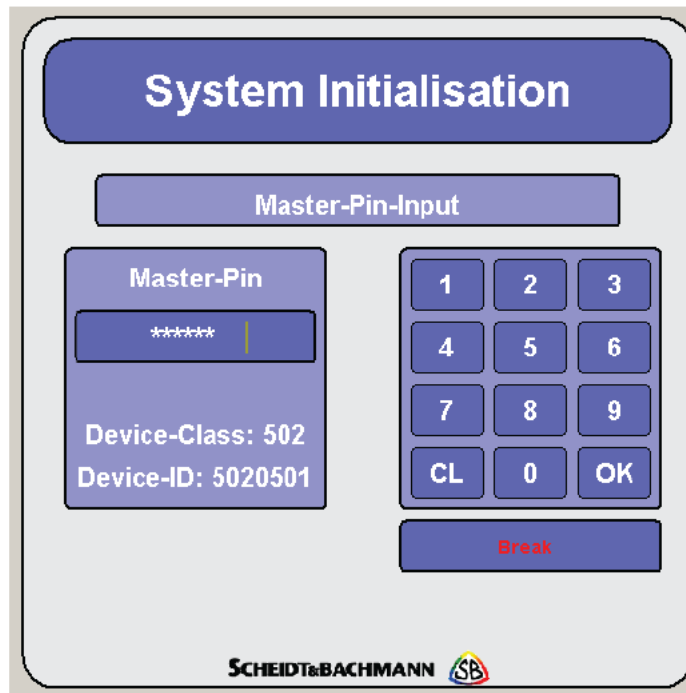


Figure 4-7 Insert Master PIN

4.2.3 Choose Device Class

Choose the device class, using the numeric keypad, as requested in **Figure 4-1**.

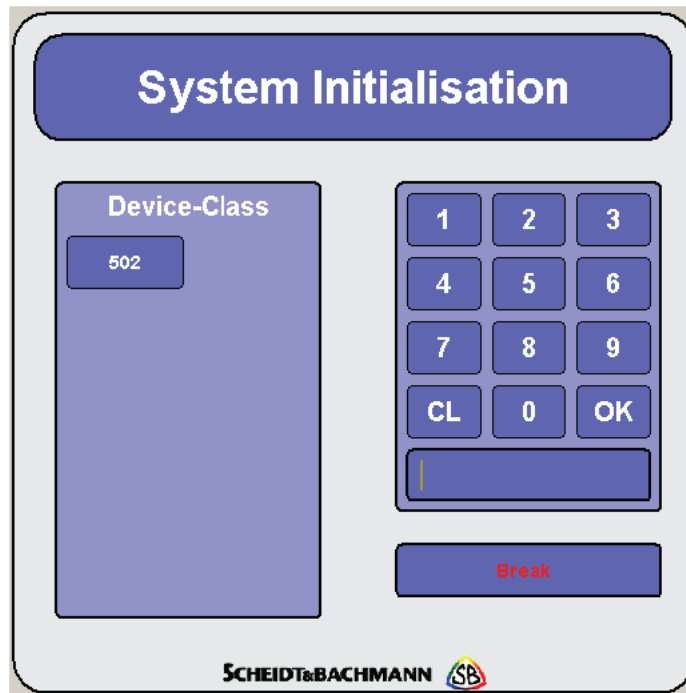


Figure 4-1 Choose Device Class

4.2.4 Select the Device ID

Select the Device ID as requested in **Figure 4-8**.

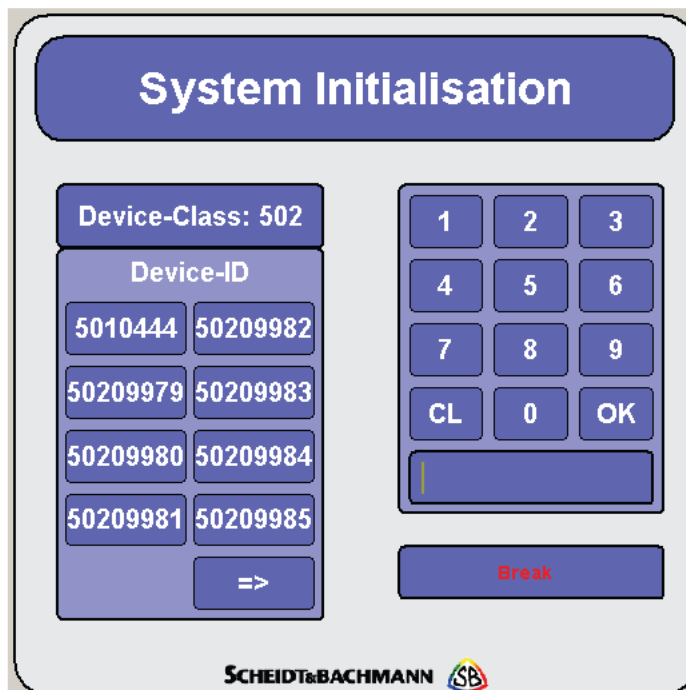


Figure 4-8 Select Device ID

4.2.5 Initialization Overview

The SysInIt shows the Start Screen (**Figure 4-9**). Pressing the Start button starts initialization. If the device detected a backup module, see **Section 4.3**.



Figure 4-9 System Initialization Start

4.2.6 Software Loading

The software loading screen tracks the initialization progress (**Figure 4-10**).



Figure 4-10 Software Loading

4.2.7 Initialization Complete

The Initialization successful screen (**Figure 4-11**) appears when initialization is complete.

NOTICE

Press a button and then Remove the Initialization Medium before pressing the Reboot button!



Figure 4-11 Initialization Complete

4.3 Backup Module Found

The preceding steps explain first-time initialization of a device in the field. To initialize a device with a backup module, select the Recover button (**Figure 4-12**).

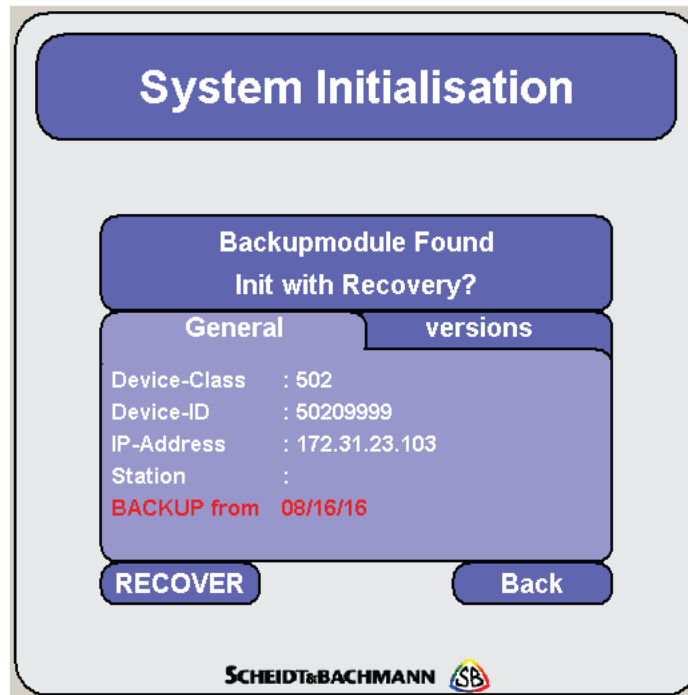


Figure 4-12 Backup Module

Chapter 5 Product description

5.1 Overview

The Farebox system performs the following functions:

- Accepts fare payments with cash and barcode.
- When applicable, issues a paper ticket.
- Displays messages for the operator.
- Communicates with the Garage Computer and the Central Computer System (sends transaction information via integrated WLAN client or external network router that is part of and installed on the bus).

The Farebox processes and validates passengers fare and payment media such as barcodes, coins, and bills.

The following Fare payments are possible:

- Coins: 1¢, 5¢, 10¢, 25¢, \$1, and Transit Authority Token
- Bills: \$1, \$5, \$10, \$20
- Barcodes (optional configuration)

NOTICE

The Farebox does not accept either credit or debit cards.

The Farebox is capable of electronically validating and verifying all coins and bills inserted for payment. All coins and bills are automatically identified by denomination, without operator action. All invalid coins and bills are automatically rejected and returned to the passenger.

The Farebox assists operators with verification of the fare deposited by showing on the Operator Control Unit (OCU) and on the Patron display the value of coins and bills inserted. All accepted coins and bills will be deposited into a single Cashbox, securely compartmentalized to separate the coins and bills. Partially damaged bills can be processed by the driver on the OCU using the "Full Fare" command, selecting the amount, and bypassing the validation process.

NOTICE

The contents displayed in this section represent a typical farebox software interface. Farebox software is customized for each customer, the user flows and menus of the individual customer applications may slightly differ from this setup. For customer specific user interfaces, refer to the Customer Operator Manual.

5.2 Component Diagram and Logical Links

Please see below for the logical connection (links and interfaces) between components.

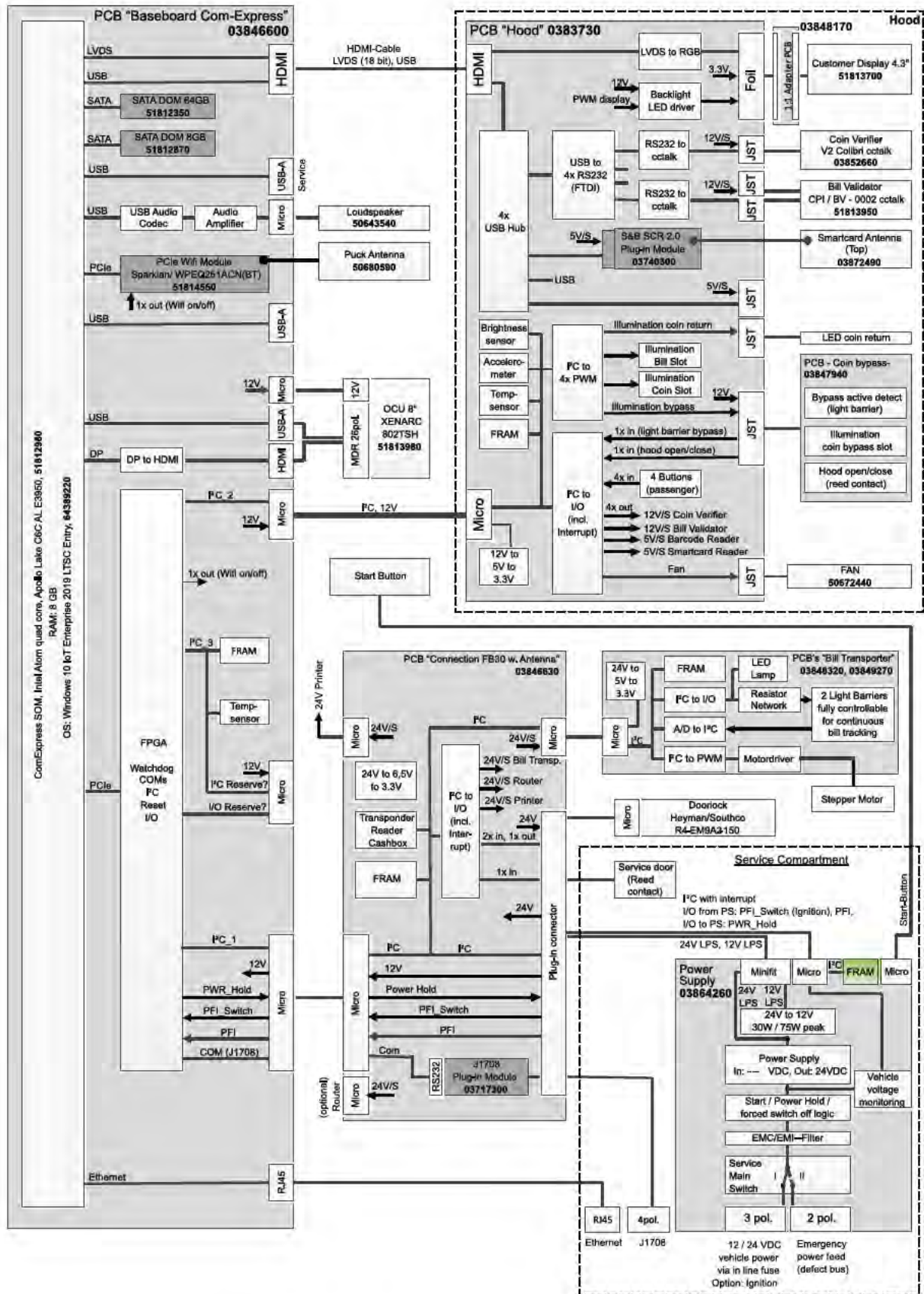


Figure 5-1 Block Diagram

5.3 System Description

The Farebox contains the following major subsystems:

- User Interfaces (Patron Display/Front Panel Devices, OCU)
- Coin Verifier (Beneath top cover, above Cashbox)
- Cashbox
- PC
- PP Assembly
- Thermal Printer

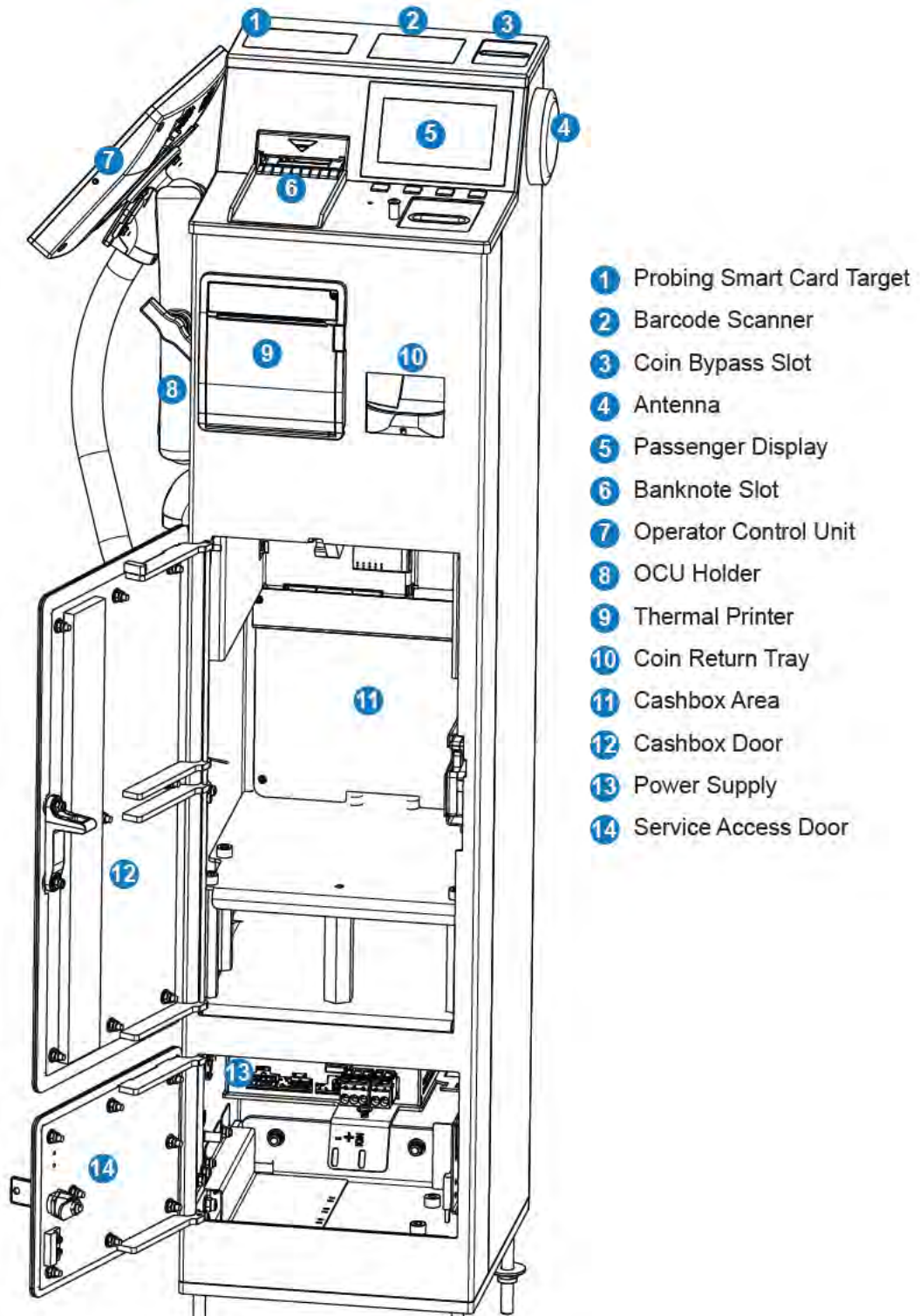
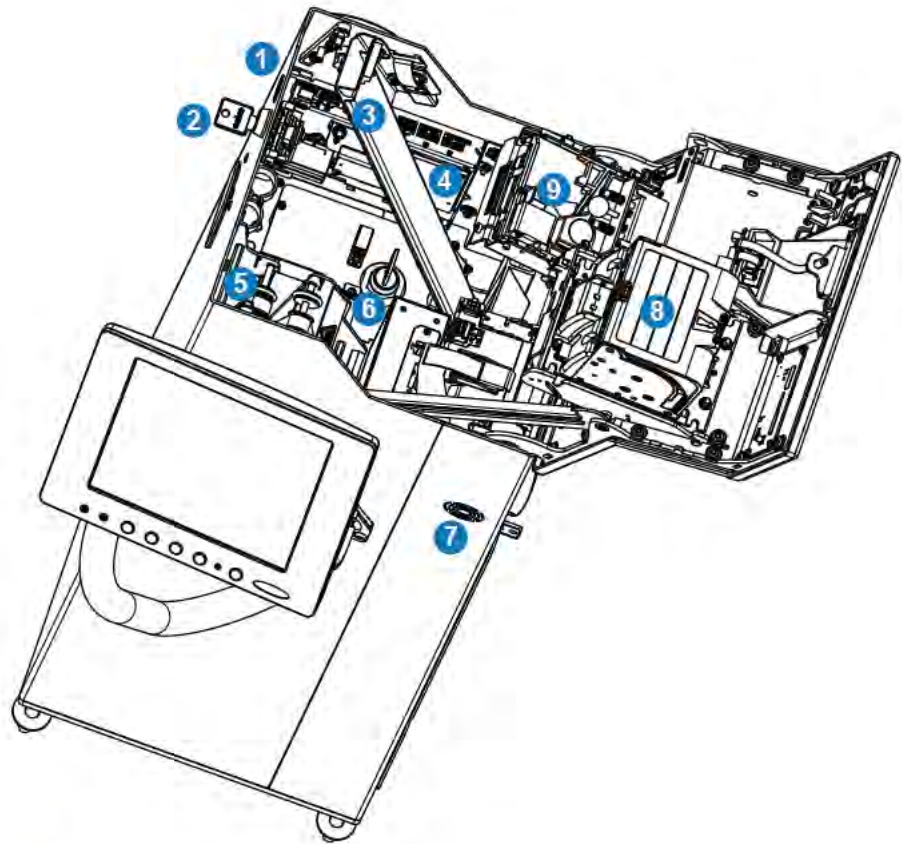


Figure 5-2 Farebox Overview



- 1 Start Button
- 2 Hood Lock
- 3 Coin Bypass
- 4 PC (ECU)
- 5 Banknote Transporter
- 6 Emergency Release Cashbox Door
- 7 Speaker
- 8 Banknote Acceptor
- 9 Coin Verifier

Figure 5-3 Farebox Overview open Hood

5.4 Interfaces

The Farebox incorporates the following operational user interfaces:

Patron Interface:

- Display (LCD display colored TFT, 5" by 7")
- Bill Slot/Bezel
- Coin Slot/Bezel
- Barcode Reader (optional)

Operator/Technician Interface

- OCU: Display with dimmer button

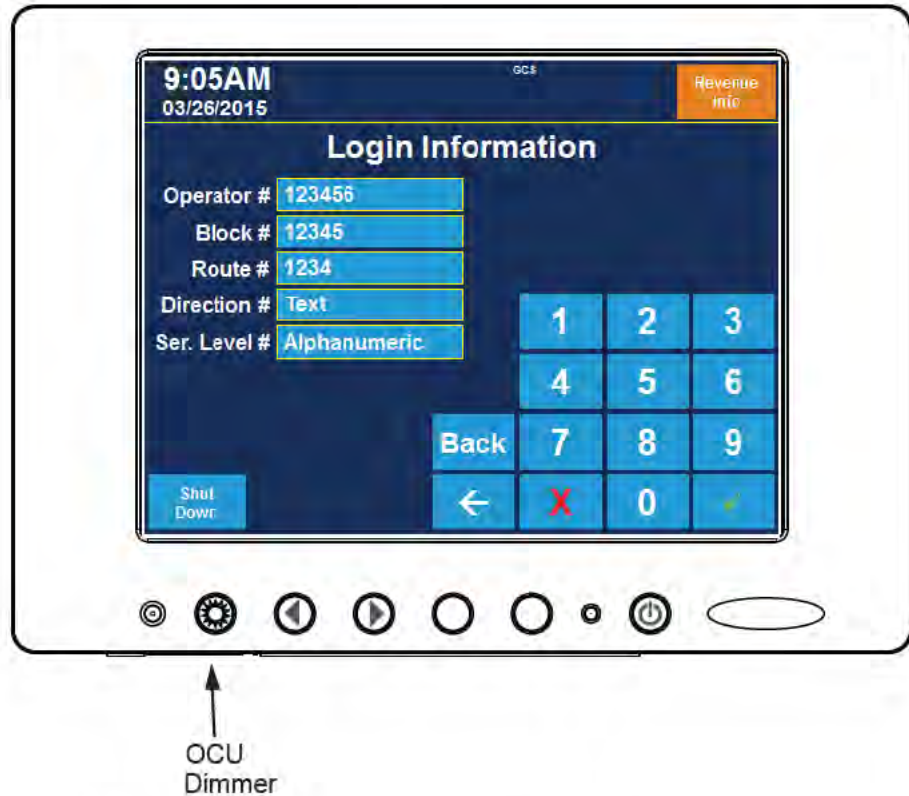


Figure 5-4 OCU Display

The dimmer button is the one below "Shut Down" button on the display with the brightness symbol. The other buttons are de-activated in the factory.

5.5 Locks and keys The farebox provides service access through the hood, through the service door to the power supply, and to the emergency release of the electronic cashbox door lock located in the center compartment below the hood. Access to these areas is secured by Medeco® high security cam locks that are recognized throughout the world as the standard for protection in a 3/4 inch diameter lock. Medeco® Cam Locks utilize hardened, stainless steel inserts throughout the cylinder to provide the ultimate defense against drilling, pulling, and other forms of vandal attacks. Patented key control programs prevent the unauthorized duplication of keys and maintain system integrity. Keyed alike, keyed different, or master keyed, Medeco® offers a complete line of various cam lock sizes and functions to meet your specific needs.

**5.6 OCU
Functionality
and Mounting
Options**

The unit attaches to the farebox housing and is adjustable in angle and position by an adjustable RAM arm for the bus driver. For flexibility reasons, the OCU arm attaches to the left side or to the back of the farebox housing to support different bus configurations. As a further installation variant, available for consideration during the design phase, the OCU can be fastened to the dashboard of the bus by using the same adjustable arm and an extended connection cable.

Cables between OCU and farebox are protected inside a flexible conduit that protects the HDMI, USB and power cables from strain and accidental damages. Conduit fittings on farebox housing and OCU mounting plate provide for cable protection and a robust installation.

During bus operations, the vehicle driver will use the farebox OCU display screen to monitor or interact with customer transactions. The FB|30 Standard Sale Screen is the starting screen for all transactions. A default can be set for the Standard Sale Screen (e.g., Adult Full Fare).

These are the standard Sale Screen Elements, which are configurable to the transit operator's application:

- **Status Bar** – the Status Bar shows the following information: The Bus Operator ID, the Bus number, the current route name or number, the current date, and the current time.
- **Transaction Tally** –shows the last information in a transaction. Coins inserted for payment, card status, etc. This section clears after each transaction. If there are more than 10 entries, the first entry is scrolled off the top.
- **Customer Display Monitor** –is a copy of the Customer Display contents. It shows the Bus Operator the same information the customer sees on the Customer Display.
- **Filling Status Bars** –bars show the Coin and Bill filling status.
- **Grayed-Out Buttons** – Some buttons may be grayed-out due to context sensitive information available, e.g. "print transfer" button is grayed out when ticket printer has no paper left.
- **Sub-menu Buttons** – A sub-menu button is marked in dark blue and indicates that usage will display another menu screen with additional functionality.
- **Fare Selection Buttons** – The operator uses these buttons to accept direct cash payments for different fare categories. For example, a senior enters the bus, inserts 40¢, and the Operator finishes the transaction by pressing the <Senior> button to classify the fare. Similar buttons exist for <Student> fares and for <Short> fares (less than full payment).
- **Component Pictograms** – These pictograms indicate the operational state for the Coin and Bill and other systems.

5.7 Passenger Information Display (PID)

A large color graphics display, shown in **Figure 5-5** , provides passengers with details on their specific transaction, including fare and payment information. Information on the large color passenger display prompts the patron to insert coins and bills and provides updates on the status of the transaction, such as amount due, amount paid, transaction complete and other important information.

The patron interface design uses industry standard human factors practices as well as guidelines from the Americans with Disabilities Act (ADA).

The 4.3" customer display has a 16:9 aspect ratio with 800 x 480-pixel resolution. Its high-brightness and anti-glare surface makes it easily readable in different environmental conditions. There are up to four physical customer buttons with tactile feedback that can be activated. These buttons can be used to offer an interactive fare selection with the patron.

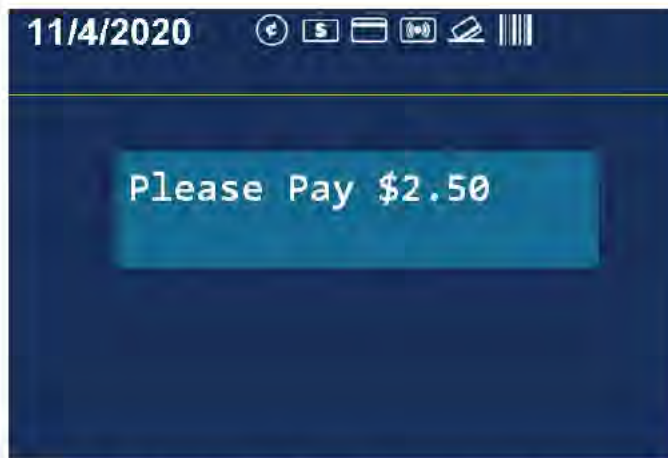


Figure 5-5 Figure 30 – Sample of Farebox Passenger Information Display

5.8 Audible Feedback to Operator and Passengers

Audio signals support all customer transactions and are synchronized with the visual feedback by the Passenger Information Display. The FB|30 computer includes a complete audio system with the ability to play audio files via a loudspeaker.

On startup, the volume is set to a standard level configured at FareGo Data level and the bus operator is able to adjust the volume at the device via the OCU.

The farebox will emit an audible alert when a fare has been paid in full, record the transaction, and automatically return to IDLE mode for the next passenger to pay. Additional conditions for the tones can also be set.

The farebox produces different audible signaling (tones) in case of correct or rejected fare processing.

An audible tone sounds in case invalid media is inserted into the farebox.

The farebox produces audible signals to inform and alert the operator as well as the passenger about errors or events. These audible signals differ based on the requirements. The transit operator receives details of such audible alerts in the design phase of the project. The requirement is the minimum included in the design.

The farebox provides the operator with the ability to turn audible alerts on and off.

Messages and alerts that the farebox presents to the operator are pre-configured based on experience in the deployments that have been done until today. The intention of the messages is to be short and precise as well as easy to understand. In the design phase of the project the transit operator receives

information about the messages and alerts for approval or change if needed.

5.9 Farebox Integration with CAD/AVL System (Option)

The farebox integrates with the CAD/AVL system, for central point login and other integrated functions. When connected to a CAD/AVL system, the primary Log-On and Log-Off is handled through the CAD/AVL system (single log-on), when disconnected, the farebox allows autonomous Log-On and Log-Off.

S&B has implemented integrated solutions with CAD/AVL provider Clever Devices and Trapeze and is familiar with the use cases of such applications. The farebox integrates with the CAD/AVL system via the J1708 interface or via a wired Ethernet connection to the vehicle infrastructure. The Farebox automatically detects the connection to the CAD/AVL system and uses the log-on/off information provided by the CAD/AVL system. The farebox automatically switches to manual log-in mode if a connection to the CAD/AVL system cannot be established. This allows an agency to continue to operate a bus in the event that a simple inter-system communication failure has occurred.

When connected to a CAD/AVL system, the primary Log-On and Log-Off is handled through the CAD/AVL system (single log-on), when disconnected, the farebox allows autonomous Log-On and Log-Off.

Each transaction will be tagged with information as it is available in the CAD/AVL system, in accordance with the requirement.

The OCU enables the driver to enter the Block ID if the CAD/AVL system is unavailable.

Operator log-off, either directly or via the CAD/AVL single sign-on, puts the farebox in non-revenue mode.

5.10 Cash Handlings

The FareGo Sales FB|30 electronically validates, counts and stores valid coins & bills. The Patron Information Display (PID) displays the amounts to the patron and to the bus operator at the Operator Control unit (OCU). Electronic validation is done at speeds where the patron can easily insert payments without wait times, in order to maintain fast boarding times offered by registering systems. Coins and bills are stored securely in different compartments inside the cashbox.

5.10.1 Coin Handling

The FareGo Sales FB|30 includes the highest possible security with a 3.5" coin validator. The coin validator offers best-in-class Multi-Frequency Technology (MFT) coin validation technology. The model is from CPI and is ideal for the use in applications with standard coin acceptance, speed requirements such as AWP and casino machines, or as a battery version in parking machines, tabletop vending machines, and carwash or laundry applications. It is revenue proven in transit applications: S&B is using this coin validator successfully in mobile/onboard Ticket Vending Machines across North America.

The FB|30 Coin Processing System accepts and transports coins to the cashbox. Invalid coins, counterfeit and foreign coins are rejected to the customer via the coin return tray. The model offers anti-stringing protection. In the farebox, the casino-mode is enabled to allow high speed coin validation, the anti-stringing protection is not enabled here.

The coins are fed into the system by the effect of gravity. Once inserted into the slot, coins are guided into the coin verifier. The design avoids unnecessary and/or complicated pathways and place the coin verifier below the coin insertion slot without the need of a coin channel in between. If a coin jam occurs inside the coin verifier, a mechanical de-jam button is available nearby the coin insertion slot which can be used by the passenger and/or the bus driver. The de-jammed coins fall into the coin return tray and can be retrieved by the passenger.

The area around the coin slot is recessed to prevent coins from accidentally

becoming misplaced or lost, to keep coins that might miss the insertion slot from sliding and falling to the ground. An indicator light next to the coin insertion slot illuminates to assist patrons with inserting their fares.

Every coin validator delivered contains the latest pre-programmed currency data and firmware available. New data sets or new firmware versions can be downloaded to the device from the FareGo Data back office.

The FB|30 supports USD coins. The default settings include USD currency acceptance: 1c, 5c, 10c, and 25c and \$1 coins.

Coin Acceptance by denominations/type can be configured in FareGo Data.

The coin validator is able to accept up to six coins per second and has an acceptance rate of over 98% on first insertion of coins.

The design of the FB|30 places the removable coin acceptor in a precise position and is mounted just below the hood. Thus, the module does not require adjustments when being replaced.

In the unlikely event that a coin jam cannot be cleared with the de-jam button or if the coin system is defective, a coin bypass function as a fallback solution that enables the system to continue to collect fares is integrated into the FareGo Sales FB|30.

5.10.2 Bill Handling

The FB|30 includes a powerful, high quality bill validator that exceeds industry standard acceptance rates. The proposed bill processing solution manufacturer is Crane Payment Innovations (CPI) and is revenue proven in bus applications. The device accepts valid notes and rejects invalid bills presented by the passenger.

The bill acceptor will accept bills in varying conditions per the manufacturer's specifications.

The device has enabled users to feed the bill validator wet and crumpled bills with ease, a realistic representation of currency conditions that are commonly found in transit operations.

The bill guiding plate is located at the front of the bill insertion slot to increase precision and speed of the passenger's bill insertion. The bill validator senses the presence of a bill at the slot and engages the transport mechanism to grab the bill actively without applying force. The indicator light at the bill insertion slot illuminates to support the passenger interaction.

To prevent coins from entering the bill validator, the bill insertion slot is positioned away from the coin insertion slot. In addition, the insertion path of the bill validator is oriented upwards to prevent coins slipping into the bill validator.

The bill validator is mounted as a separate module to the hood. This results in multiple benefits:

- The part is easy to access and replace
- The part is light and small to carry - it fits in a toolbox, enabling easy and convenient maintenance for technicians.
- Attaching the bill acceptor to the hood eliminates the need for technicians to constantly re-adjust internal components around the replacement of a bill acceptor.
- Simple bill transport pathway to the bill vault, reducing potentials for bill jams.

The FB|30 supports USD bills. The default setting includes the acceptance of USD currency: \$1, \$2, \$5, \$10 and \$20 bills in all four directions. Denominations and directions are activated/deactivated by software configurations provided by FareGo Data. Future types of bills can be downloaded to the bill validator, using the FareGo Data back office.

The bill validator is able to accept a bill in 2 seconds. The farebox accepts bills in

any orientation (4 way). The bill validator is able to handle US Bills of “street quality” using magnetic, inductive and optical sensors with an acceptance rate of over 98% based on testing performed on new and street quality notes. Foreign bills, counterfeit bills, partial and/or torn bills not meeting the validation thresholds of the processing device software will be rejected.

The driver, after visually verifying, has the capability to manually accept a \$1 bill by pressing a button at the OCU if a damaged but valid \$1 banknote is rejected by the banknote validator. The next banknote inserted is not validated but only transported through the bill validator mechanism. The farebox records this action as a manual \$1 bill acceptance for cash reconciliation purposes.

The farebox can also be configured to enable the driver to manually accept a bill of higher denomination. This feature can be activated or deactivated by the driver or even remotely via back office command, in accordance with agency operating guidelines.

After the bill has been successfully validated or accepted and passed the banknote validator, the bill is guided via a motorized bill transporter into the bill compartment of the cashbox. The bill transporter includes sensors to detect potential bill jams.

The farebox records:

- all automatically accepted bills
- all bills manually accepted by the operator via the OCU; the accuracy of manually entered data is not under farebox software control
- technical errors such as bill jams.

Operations and Maintenance personnel have access to supplemental data on the technical condition of the system, subsystems as well as conditions pertaining to jammed bills and coins, based on incident reports to conduct analysis of erroneous situations.

Every bill validator delivered contains the latest pre-programmed currency data and firmware available. New data sets or new firmware versions can be downloaded to the device from FareGo Data.

The bill validator and bill transporter are equipped with a quick release feature, meaning they can be easily replaced without the use of tools. Removal of the bill validator does not provide access to the cash in the cashbox.

The transit administrator has the ability to limit or prohibit use of certain features for certain denominations of bills. The FareGo Data back office enables to adjust parameters and inhibit denominations and configure defined features that are provided by the component and as agreed upon during design.

A quick release fastener secures the bill transport mechanism below the bill validator.

5.11 Jam Clearing and Bypass

In the unlikely event that a coin jam cannot be cleared with the de-jam button or if the coin system is defective, a coin bypass function that enables the system to continue to collect fares is integrated into the FB|30 as a fallback solution.

The coin bypass is independent from the standard coin system, creating a redundant system. The coin bypass uses a different coin insertion slot located on the top, right side of the hood. This coin insertion slot mechanically blocks as long as the bypass is deactivated. The bypass system consists of unobstructed channels, providing virtually no risk of jams by bent coins and ensuring that the farebox can collect revenue under any conditions.

Even when the farebox is without power, the bypass system supports a mechanical activation that can still securely collect coins into the cashbox. The driver can activate the coin bypass by pulling this mechanical button at the back of the FB|30 hood, triggering the coin bypass insertion slot to open. The farebox records a date and location stamped event for the bypass activation, as this feature potentially affects the cash balance/accuracy.

5.12 Cashbox

The FB|30 cashbox is based on a robust and reliable design that has been proven in more than half a dozen projects across North America. The current product is reliable and a result of improvements done over years of service, and is based on experience, performance reviews and incorporated feedback that we received from our customers. S&B maintains a process of continuous improvements on design and product. As a result, the cashbox is a robust and reliable component of our farebox. The cashbox is manufactured from stainless steel.

While the cashbox is inserted inside of the farebox, accepted cash (coins and bills) is guided automatically into the cashbox. The coins and bills are collected in separated compartments inside the cashbox.

The FareGo Sales cashbox system utilizes a two-chamber cashbox with bottom emptying for easy currency transfer. The cashbox has one additional

compartment that houses a contactless transponder ID chip and operational mechanical components. Each cashbox ID transponder is unique and does not require its own power source. A reader in the farebox powers it during the read function.

The bill compartment for S&B's cashbox is able to store 600 bills. The coin volume is 195 cubic inches, sufficient to hold a capacity in mixed coins, consistent with industry best practices.

There is an interlocking coin insert shutter and bill insert shutter on the cashbox top and a sliding bottom to empty the cashbox into the receiver vault. A mechanical condition indicator (red/clear) on the front side of the cashbox provides a visual indication of the insert shutter condition. The cashbox shutter mechanism consists of two shutters for the bill and coin compartments operated by a mechanism of S&B's design. The separate shutter components are mechanically linked such that they are always in the same state. The mechanism ensures that when the cashbox is removed from the farebox, the shutters are closed and it is impossible to have access to the interior of the cashbox. The shutter mechanism has four operational states:

- **Pre-Conditioned/Empty** – Ready for insertion into a farebox; the Condition Indicator is Blank.
- **Open/In Service** – The cashbox can only be in this state when it is inside a farebox.
- **Closed/Removed** – When a cashbox is removed from the farebox it enters this state. The condition indicator is red. It can only be opened and reset by the Emptying Process.
- **Open/Emptying in Process** – When the cashbox is inserted into the Cashbox Receiver it enters this state and the contents are emptied into the mobile vault system. Afterwards, the cashbox returns to the "Pre-Conditioned /Empty" state.

The farebox detects the presence of the cashbox inside the compartment by reading the electronic ID of the cashbox. The farebox will not go into revenue service for acceptance of cash if a cashbox vault ID is unavailable. The locking mechanisms require that the cashbox is vaulted after removal from a farebox. Re-insertion into a farebox is impossible without that. This ensures that the data flow of revenue is maintained and the revenue remains secured in containers.

It also ensures that cashboxes are always empty when inserted into a farebox, providing the foundation for proper count and high accuracy in revenue reconciliation. **Table 5-1** summarizes the properties of the cashbox.

Category	Cashbox data
Cashbox dimensions (WxDxH)	8.98" (D)x 7.6" (W)x 12.3" (H)
Cashbox material	Stainless steel
Mixed Bill capacity	600 bills; 222 cubic inches
Mixed Coin capacity	Approx. \$600; 195 cubic inches
Empty weight	Approximately 18 pounds

Table 5-1 Cashbox Data

5.13 Printer (Option)

An optional thermal printer can be installed in the FB|30 to dispense receipts, tickets purchased for visual inspection and/or barcoded tickets.

Characteristic	Parameter
Supply voltage	24 VDC ±10% VDC
Print procedure	thermal sensitive
Number of dots	640 dots/line
Resolution horizontal / vertical	203 dpi (8 dots/mm)
max. print width	80 mm
max. paper width	86 mm
Print speed	max. 250 mm/s
Traction power	2N ±20% @200 mm/s
MTTF printer	100 km paper length 50 million pulse

Table 5-2 Thermal Printer Data

Characteristic	Parameter
MTTF cutter vs. MTBF	1 million cuts @ 80 µm 0.5 million cuts @ 130 µm (only under standard ambient conditions) The cutter life time depends on the printer paper used.
Cutting time	approx. 0.45 seconds @ 80 µm @ 24 VDC @ 0 – 50°C approx. 0.5 seconds @120 µm @ 24 VDC @ 0 – 50°C
Cutter knife	Steel
Pull magnet	9.5 A ±10% for approx. 60 ms
Sound level	approx. 65 dBA peak with T1237 approx. 62 dBA peak with KPW460 lying isolated on textile measurement in a distance of 1 meter with sound level meter SL-100

Table 5-2 Thermal Printer Data

5.14 Barcode Scanner (Option)

An optional barcode scanner can be installed in the FB|30 to read barcoded tickets.

Honeywell’s CF3680 2D Imager Module for Customer-Facing Designs provides a complete, self-contained 1D and 2D barcode scanning solution, whether decoding mobile phone screens or paper.

Characteristic	Parameter
DIMENSIONS	(L X W X H) 90,59 mm x 105 mm x 75,07 mm (3.57 in x 4.13 in x 2.96 in)
WEIGHT	50 g ±5 g
INPUT VOLTAGE	5 VDC ±0.25 V
STANDBY CURREN	70 mA (idle mode) 2.5 mA (USB suspend)
HOST SYSTEM INTERFACE	USB 2.0
ILLUMINATION	white LED
OPERATING TEMPERATURE	-10°C to 40°C (14°F to 104°F)
STORAGE TEMPERATURE	-40°C to 60°C (-40°F to 140°F)
HUMIDITY	0% to 95% RH, non-condensing
LIGHT LEVEL	0 lux to 100.00 lux(0 foot-candles to 9.290 foot-candles)
MEAN TIME BETWEEN FAILURE	668,000 hr
DECODE CAPABILITY	Aztec Code, Codabar, Codablock F, Code 11, Code 32(PARAF), Code 128, Code 2 of 5, Code 39, Code 93, Data Matrix, EAN/JAN-13, EAN/JAN 8, EAN-UCC Composite Codes, EAN-UCC Emulation, IATA Code 2 of 5, Interleaved 2 of 5, Matrix 2 of 5, MaxiCode, MicroPDF417, MSI, PDF417, Postal Codes (Australian Post, British Post, Canadian Post, China Post, Japanese Post, Korea Post, Netherlands Post, Planet Code, Postnet), QR Code, RSS Expanded, RSS Limited, RSS-14, TCIF Linked Code 39, UPC-A, UPC E, Chinese Sensible (Han Xin) Code, Maxicode, Codablock A, UPC-A/EAN-13 with Extended Coupon Code, Coupon GS1

Table 5-3 Barcode Scanner Data

5.15 Power Pack / Power Supply

The FB|30 includes an S&B-developed, electrically robust central power supply, as this is crucial for a high availability of the entire system.

The power supply includes filters to protect the system against spikes and noise generated by other components of the vehicle. The power supply is placed underneath the cashbox, separated from all other farebox electronics, to avoid interferences and sporadic, related issues.

The power supply is designed for 12 VDC and 24 VDC vehicles and can operate at permanent battery power between 9 VDC and 32 VDC input voltage. It has a minimum startup voltage of ~10VDC.

The farebox detects when primary power drops to low levels, and upon total power loss (zero volts) and recorded as a prior hard shutdown that was not initiated by operator or software.

The technical data are:

$U_{in} = 10-36V$ DC (in operation 9V DC)

$P_{rms} = 100W$

$P_{max} = 160W$

12V LPS Source:

$U_{out1} = 12V$ DC +-5%

$I_{out1_rms} = 5A$

$I_{out1_max} = 8A$

24V LPS Source:

$U_{out2} = 24V$ DC +-5%

$I_{out1_rms} = 3A$

$I_{out1_max} = 5,2A$

NOTICE

Push start button on rear side for 5 seconds to start the Farebox.

NOTICE

Pressing the start button for 15 seconds forces an emergency shutdown.

5.16 FB|30 PC

The FB|30 PC uses the current computer model (ComExpress module) available in the transit market - it is specifically designed for use in rugged bus environments with extended temperature ranges and industrial applications. The FB|30 with the extended temperature range does not require cooling fans to start the computer, allowing the FB|30 to be sealed at the base and compliant with fireproofing requirements that are required under newer safety standards, like UL62368-1.

The ComExpress modules are continuously being maintained by our supplier, obsolete chips being substituted with newer versions, since it is an industry standard they will be available for the foreseeable future.

The FB|30 PC is located in the upper farebox housing below the hood in a location that can be easily serviced.

Technical data:

- CPU Module
- HEATSPREADER HSP FOR MSC C6C AL E39xx
- RAM-MODUL 4G 1Rx8 DDR3L 1600 INDUSTRIAL
- WLAN PCI-E MODUL WPEQ-261ACN
- PCB.BASEBOARD COM-EXPRESS

Technical data CPU Module:

- COM Express Type 6 Compact Module (95mm x 95mm) mit Intel Atom E3950 (Apollo Lake) Quad Core Prozessor 4 x 1,6/2,0GHz, 18 EU GFX
- Graphics: integrated Intel HD Gen 9
- 2xDP/HDMI
- LVDS Displayinterface
- mit TPM 2.0 (Trusted PlatformModule)
- Ethernet: Intel i210 Gbit Controller
- HD audio
- 2x SATA
- 4x USB3/2
- 4x USB2
- 3x PCIe x1
- 2x Sockel für DDR3L SO-DIMM,
- Operating Temperature: -40°C bis +85°C

Chapter 6 Service Commands

6.1 Service Commands

Farebox service commands are used by Field Revenue, Accounting Revenue, and Maintenance personnel to:

- Examine system operational and transactional status
- Change or correct system settings and error conditions
- Generate status reports and revenue reports

Examples of messages that appear on the OCU when various service commands are entered are described in detail in the AFC Universal Service Commands & Event Code Field Reference.

6.2 Service Commands Used for Troubleshooting

The Service Commands covered in this section are useful for troubleshooting. Refer to **Table 6-1** for using commands **<034>** and **<044>**, for error analysis and troubleshooting.

Service Command	Sub-Command	Description
<034>	<01>	Displays the latest ten event codes and alarm conditions on the Service Terminal Display, one at a time. The codes are in hex format. The latest code or alarm condition is displayed first. Press the <✓> key repeatedly to view the remaining codes or conditions in chronological order.
<044>	<01>	Displays the latest 20 events (and errors). The most recent event appears first. Press the <✓> key repeatedly to view the remaining codes or conditions in chronological order.

Table 6-1 Troubleshooting Commands

6.2.1 Command **<034>** Technical Error Report

A most useful source for analyzing errors, as well as warning and alarm conditions, is the Technical Error Report. The contents of this report are derived from the error log. Service command **<034>**, and subcommands **<01>** (display), can be executed to produce a Technical Error Report.

6.2.2 Command <044> Event Report

Execute Service Command **<044>** with subcommand **<01>** to display. This produces an event report of the last 20 events. For each event, the following information is provided:

- Date of the event
- Time of the event
- Event code
- Assembly ID code
- Subassembly ID code

The assembly and subassembly columns on the command **<044>** report indicate the area and/or device where the event code originated.

The assembly and subassembly columns on the command **<044>** report indicate the area and/or device where the event code originated.

Table 6-2 presents an overview of the meaning of PC-specific assembly and subassembly code.

Assembly Code	Subassembly Code	Description
1		System
	3	Backup Battery
	4	Power sSupply
	5	Main SATA DOM
	6	Disk
	8	Backup SATA DOM
	9	Device status (OK, Warning, Error)
	14	Power Connection Box
11		Software

Table 6-2 Assembly and Subassembly Codes Used in the Event Report

6.3 Service Screens From the Service Sign-on screen in **Figure 6-1**, a service technician follows a series of steps to bring up the Command Entry screen as shown in **Figure 6-6**.

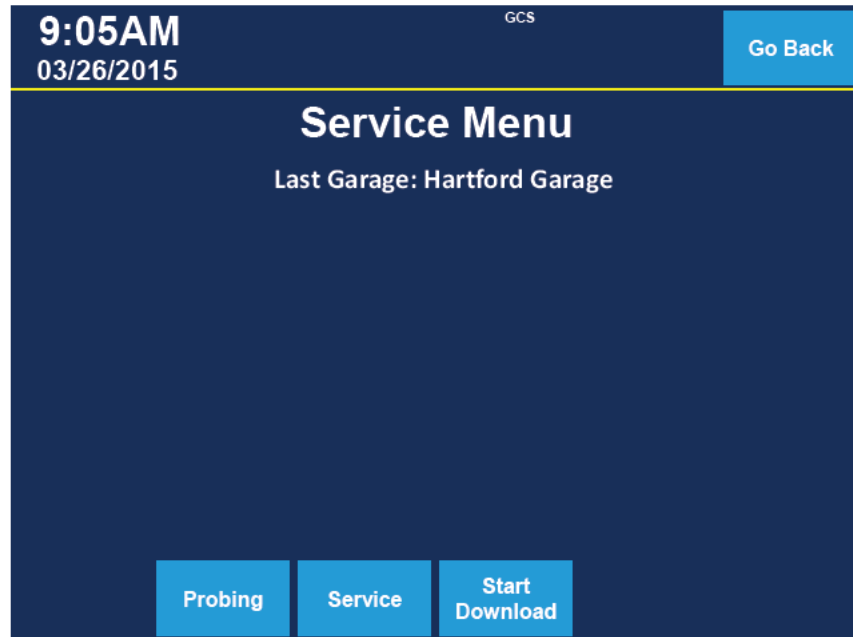


Figure 6-1 Service Menu Screen

6.3.1 Service After selecting the **<Service>** button in **Figure 6-1**, the Service Agent must enter both a valid Service Agent ID and PIN for verification. After entering the information requested in the log on screens (**Figure 6-2** to **Figure 6-6**), the Farebox System will then be in Maintenance Service Mode. The Agent can then enter a variety of different Service Commands.

In the Service Mode the Service Agent can also perform a large number of service-related functions, such as changing the cashbox.

After the Maintenance activities are complete, the Service Agent signs off by selecting the **<Log Off>** button or entering the service command **<099>**. Either of these returns the screen to the Farebox Menu.

6.3.2 Service Terminal Emulator Logon Once the Service Menu appears, the technician invokes the service terminal emulator where service commands may be entered as follows:

Step 1 Press the **<Service>** button in **Figure 6-1**. The screen in **Figure 6-2** will appear.

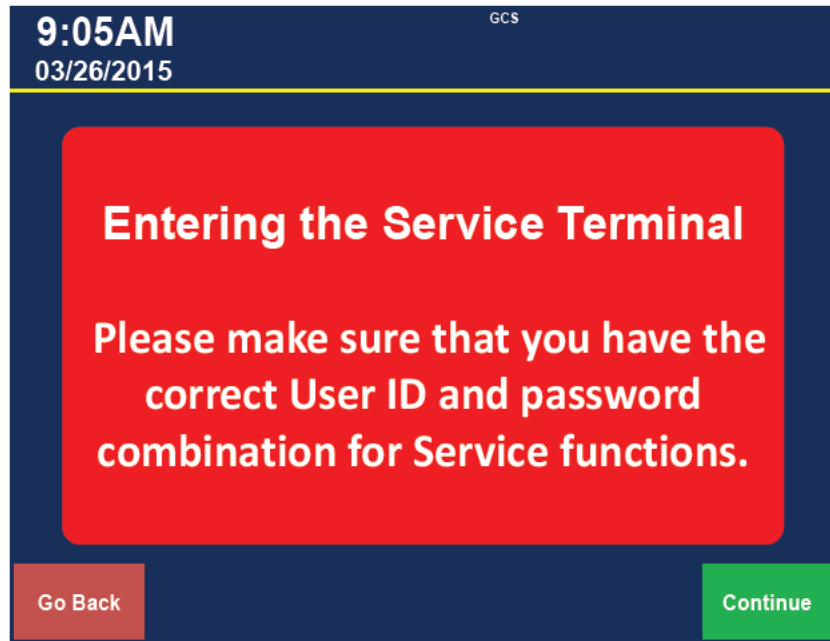


Figure 6-2 Service Terminal Emulator Access

Step 2 Press the <Continue> button. The screen in Figure 6-3 will appear.

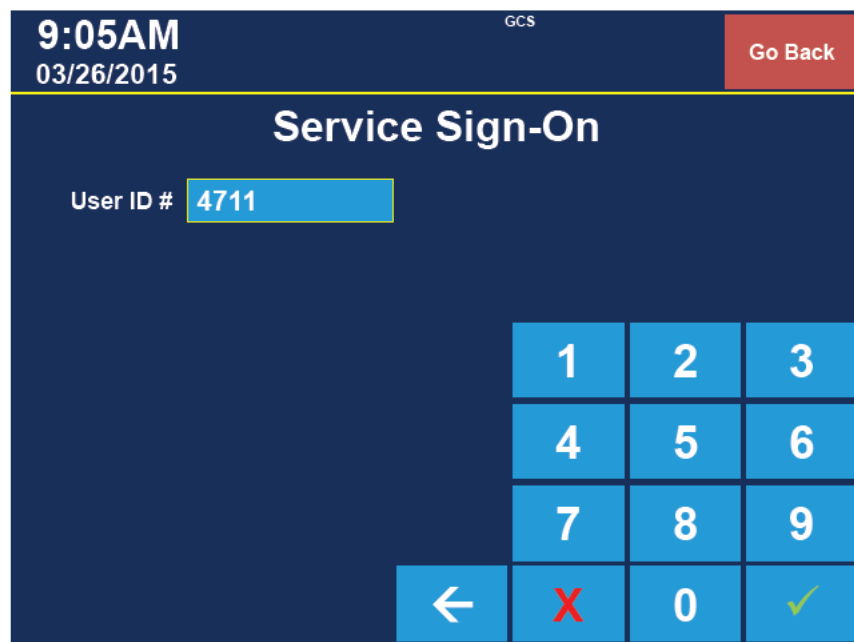


Figure 6-3 Service Terminal User ID

Step 3 Enter a valid Service ID Number on the OCU virtual keypad.

Step 4 Press the <Continue> button. The screen in Figure 6-4 will appear.

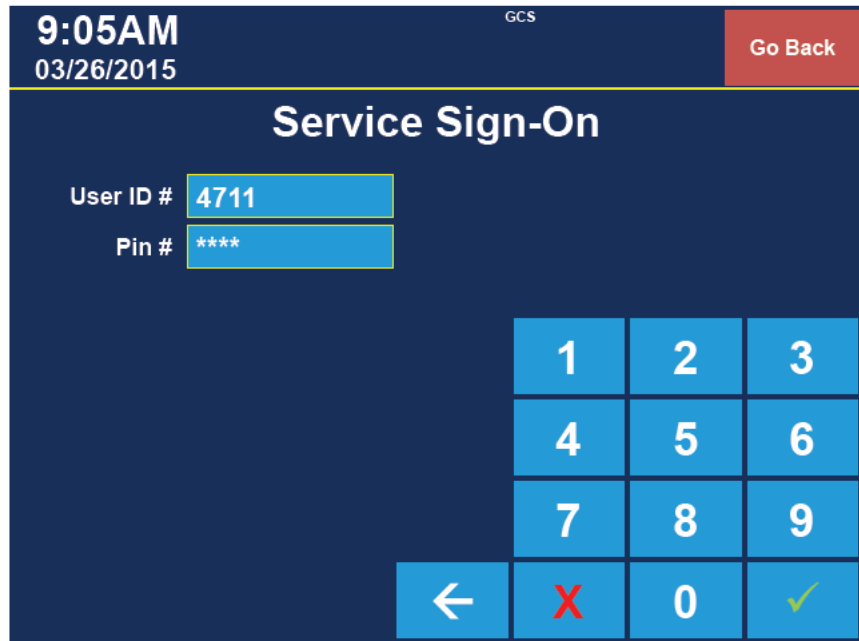


Figure 6-4 Service Terminal Sign-on

- Step 5 Enter a valid Service ID number on the OCU virtual keypad.
- Step 6 Enter a valid service password (PIN number) on the OCU virtual keypad.
- Step 7 Press the <Continue> button. If the ID and password are valid, the display will respond with the screen shown in Figure 6-5.

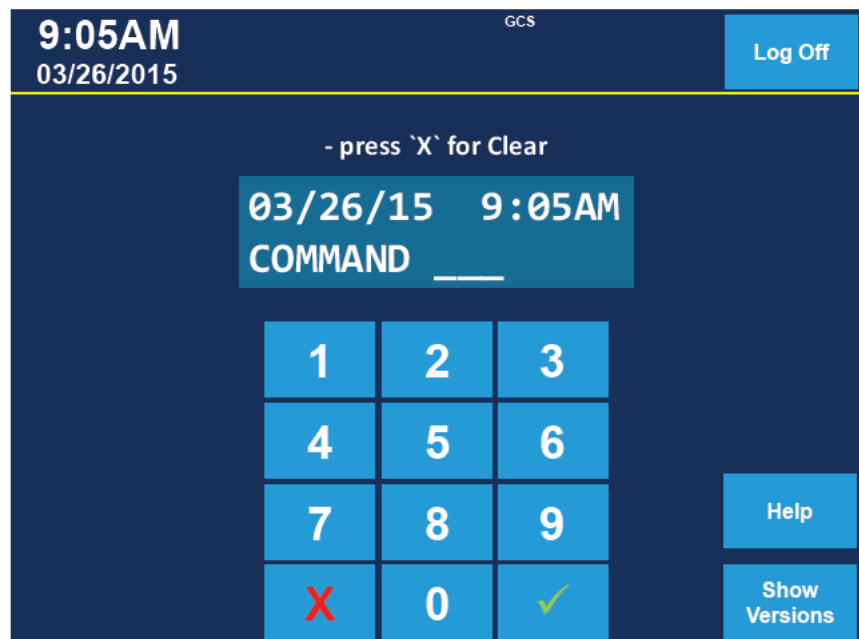


Figure 6-5 Service Command Screen

- Step 8 The service technician may now enter service commands. Use <✓> on the OCU virtual keypad to execute a command or <X> to cancel the last entered command or to clear a displayed result. The Service Help Screen provides information about the most commonly used Service Commands.

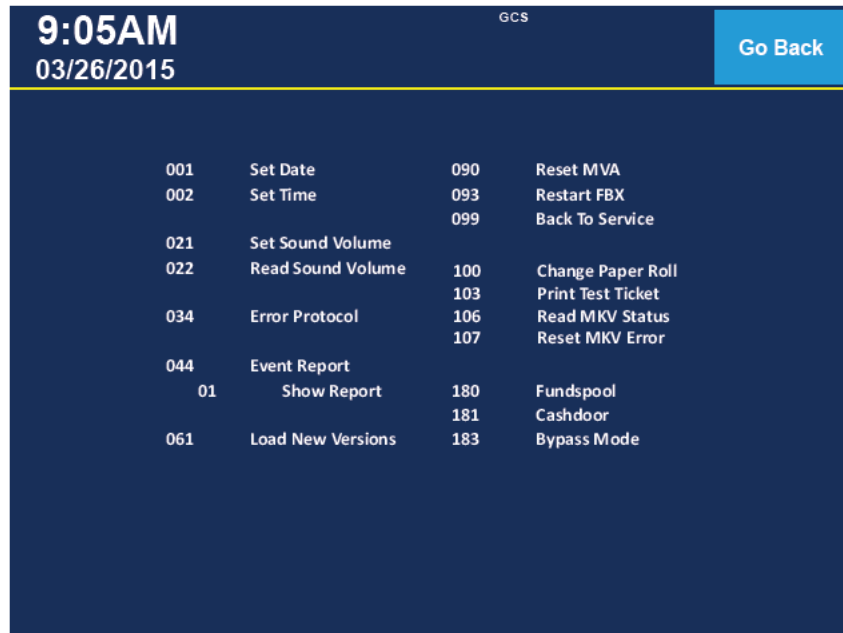


Figure 6-6 Service Help Screen

See the Farebox Repair and Maintenance Manual for detailed information on the Farebox service commands.

The Version List (Figure 6-7) shows the technician which versions are used on the device.



Figure 6-7 Version List

6.3.3 Service Terminal Emulator Logoff and Shut Down

To log off the service terminal emulator and shut down the Farebox, proceed as follows:

Step 1 Press the **<Log off>** button in **Figure 6-8**.

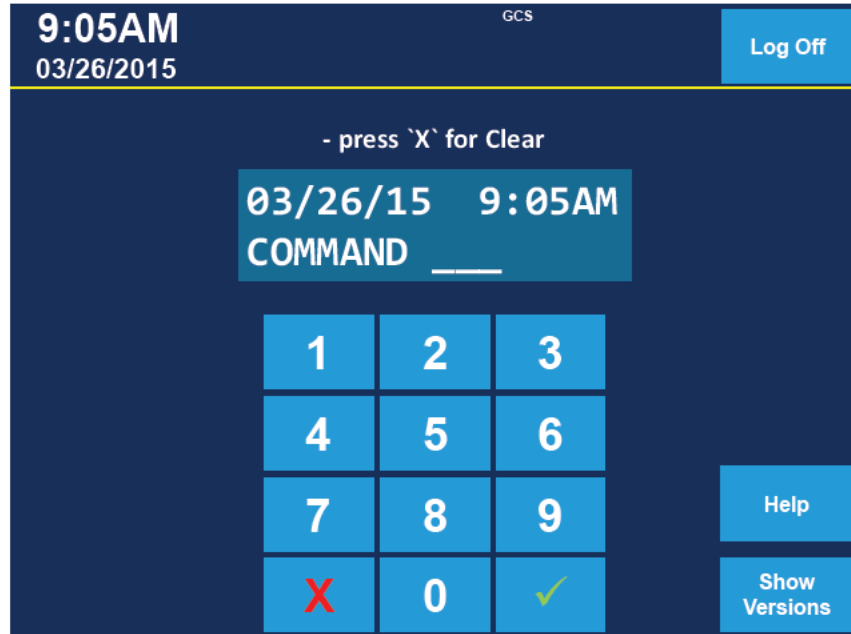


Figure 6-8 Log Off

Step 2 Press the **<Log off>** button.

The screen will ask for sign off and shut down confirmation as shown in **Figure 6-9**. The device will shut down.

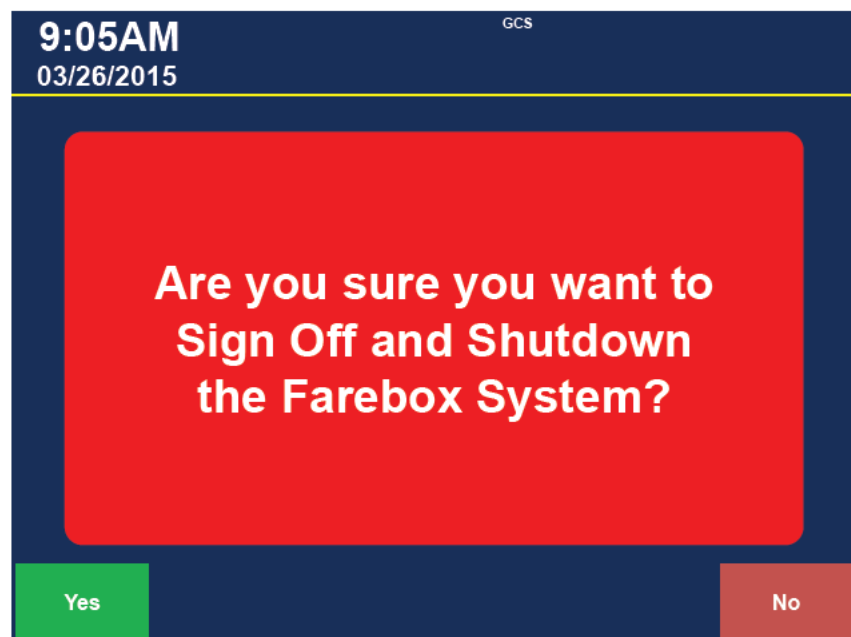


Figure 6-9 Shut Down Confirmation

6.4 New and enhanced Maintenance Menu

The new and enhanced maintenance menu is organized by functional area as shown below. The figures shown are typical figures to demonstrate the overall capability of the farebox. They will be configured to their actual hardware configuration prior to delivery:



Figure 6-10 Figure 35 – Sample Maintenance Screens

The technician has options to test the indicator LEDs in the customer interface by directly setting controls at the OCU:



Figure 6-11 Figure 36 – Sample Indicator Test Screen

The concept allows the restart of USB drivers or power cycle peripheral parts in the farebox without power-cycling the whole farebox. For example, if the smart card reader is offline, it can directly power cycles from the OCU via a button. USB drivers under Windows can be restarted via command. The restart of a component only takes a few seconds compared to a power cycle of a complete device that can take up to 2 minutes and require several steps. Going through those quick steps can resolve a number of simple problems and significantly reduce the time a technician needs to spend at the farebox to correct a small issue.

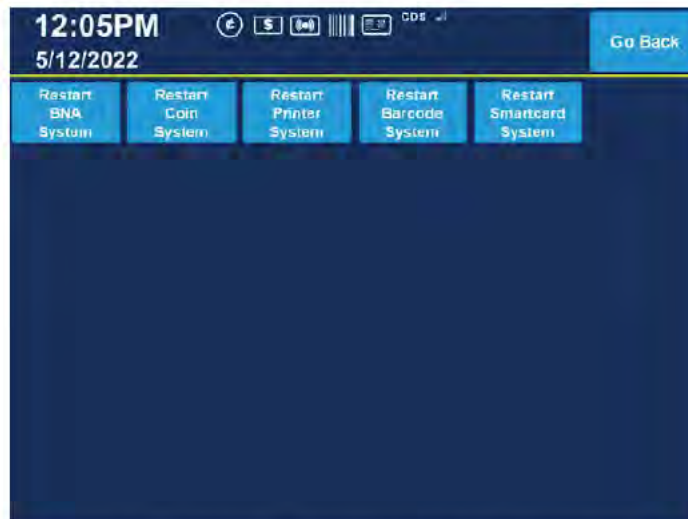


Figure 6-12 Figure 37 – Sample Fingertip Maintenance Screen

Sub-menus allow S&B and the region’s farebox service personnel to verify readings of all inputs, such as door switches, with buttons below the passenger display. Actuating the switches or pushing buttons will be read by the computer and instantly displayed, allowing the technician to test and verify that all the inputs and switches in the system work.



Figure 6-13 Figure 38 – Sample Fingertip Maintenance Screen

Another sub-menu supports diagnostics for bill transport and the cashbox door. These functions allow opening/closure of the cashbox door and monitor the cashbox door switches, making adjustments and testing much easier after performing a parts replacement or repair. The technician can verify individual parts without having to apply the entire functional process. The system also enables security levels to be configured for access to the cashbox door and will be discussed in the design phase during migration of the software.

The FB|30 also supports a test function to start and run the bill transport: the technician can simply push a button on the OCU and visually check start/stop of the bill transport motor inside the farebox. The device will also include a future

function to test acceptance and validation of a bill, displaying the results and returning it, instead of advancing to the cashbox. Each of these test functions allows testing without the need to process bills and emptying cashboxes in the CRS after such test and repair.



Figure 6-14 Figure 39 – Sample Bill Validator Maintenance Screen

Some other diagnostic functions, as supported by the hardware configuration, have been added as well, such as readings of temperature sensors in the PC.



Figure 6-15 Figure 40 – Sample Temperature Sensor Screen

Developing the above test and diagnostic capabilities, it seemed logical to make them available to all users of the farebox, depending on their job function. Some of the functions have been added into the menus for the bus operators that now have access to a number of diagnostic functions, including test routines for specific functions and small interventions for resetting individual modules or software drivers where automatic routines have not succeeded. All these features support minimization of the number of road calls and allow operators to intervene and restore operations in case of smaller items that can be easily corrected. These field proven features have been in use in part in our FB|50 product line and have been enhanced in the FB|30 product. **Figure 6-16** depicts screens showing

diagnostic function features.



Figure 6-16 Sample Driver OCU Functions, providing convenient access to the relevant menus for the driver

Chapter 7 Revenue Service

7.1 Revenue Service Since the main function of the Farebox is to accept Probing Smart Cards, bills, and coins in payment of fares, most of the activities associated with a Farebox other than fare collection operations are revenue service functions. The only operations that are not revenue tasks are the maintenance and troubleshooting functions.

A typical Farebox is shown in **Figure 7-1**. A typical Cash Receiver/Vaulting Station is shown in **Figure 7-2**.

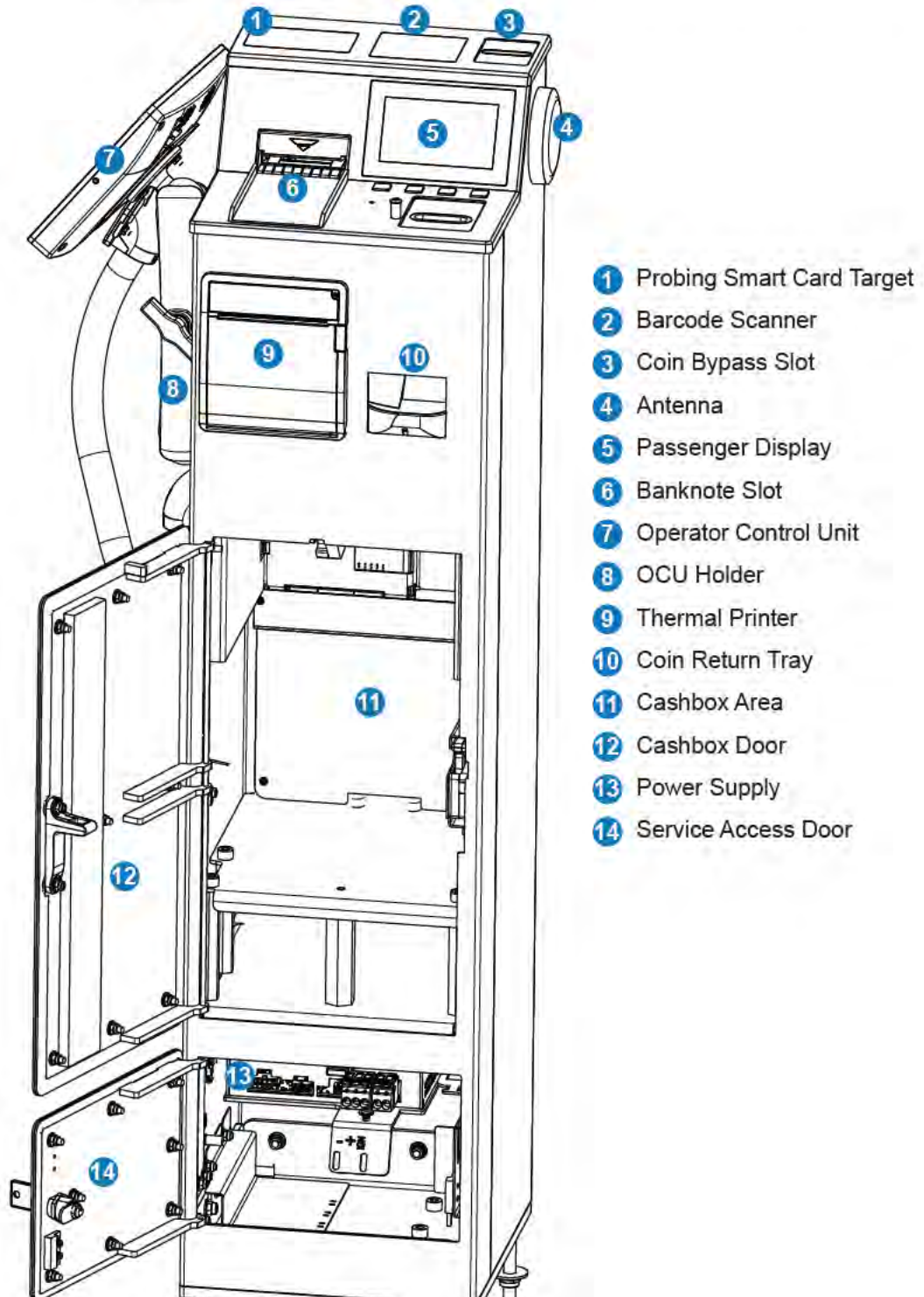


Figure 7-1 Farebox

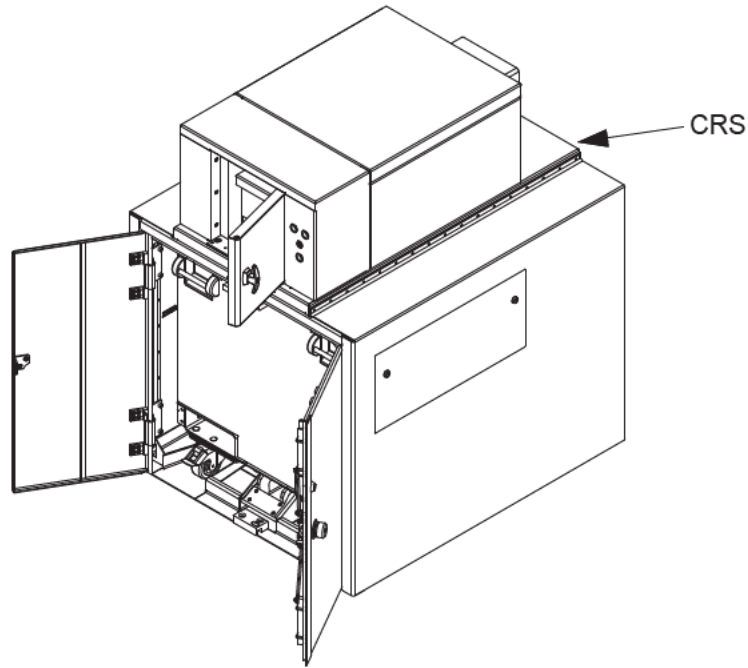


Figure 7-2 Mobile Vault in Cash Receiver System (CRS) System

7.2 Complete System Operation

Typical operation of the complete system is described below.

7.2.1 Logging On/Off the Garage Computer

The vaulting agent logs on to the Garage Computer system by tapping a Probing Smart Card to the Smart Card reader at the Garage Computer. This tapping action stores security information on the Probing Smart Cards for the current session. When the vaulting agent logs off manually or as the result of a timeout, the information is no longer valid.

If the vaulting agent presents a valid Probing Smart Card without logging on, the Probing Smart Card is treated as fare media. Conversely, if the vehicle leaves the garage for revenue service before the agent has logged off, the Farebox switches to the probing function when the agent presents a valid Probing Smart Card. Probing does not occur, however, because the wireless LAN is not available during revenue service.

CRS Vaulting Sequence

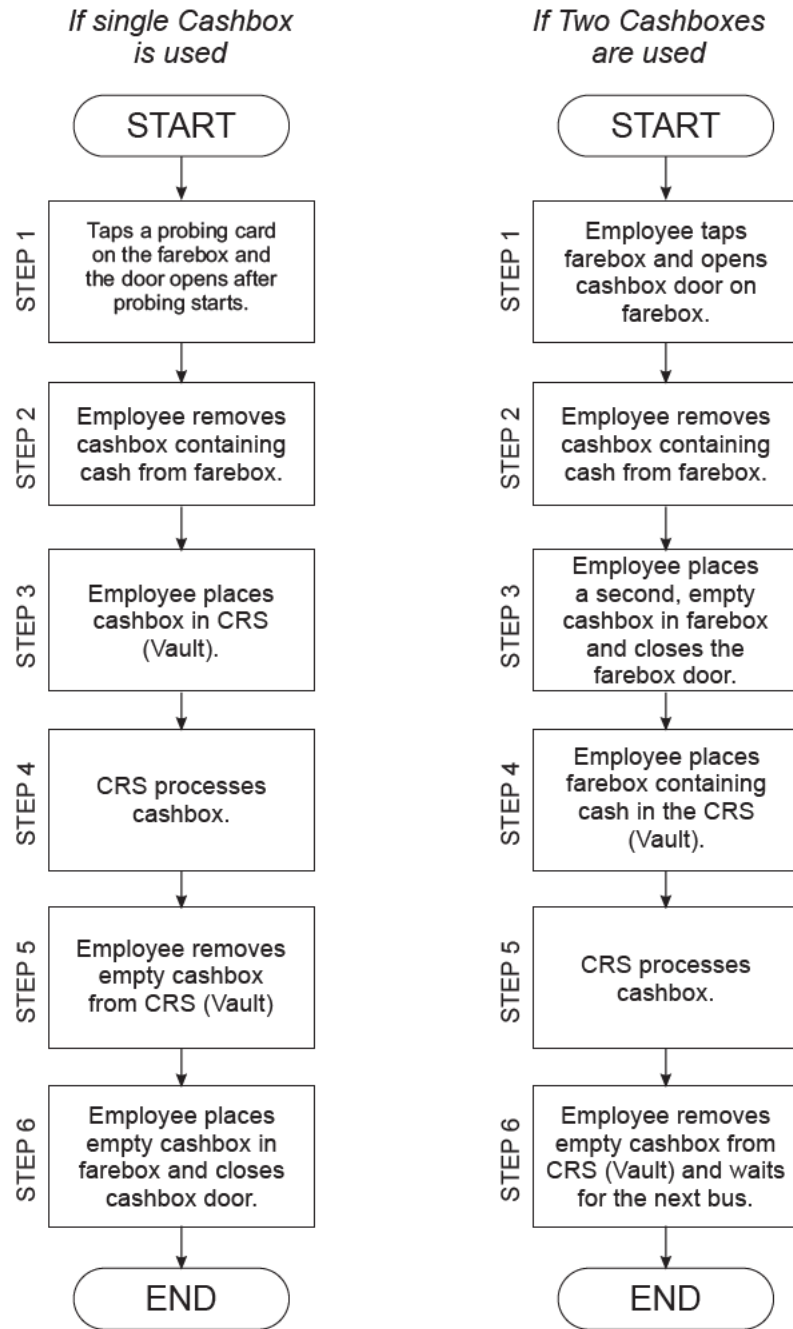


Figure 7-3 Vaulting Sequence

7.2.2 Probing a Farebox (Normal Operation)

The standard probing procedure, using the wireless LAN, is as follows:

- Step 1** When the vehicle arrives at the designated transfer spot, the vaulting agent taps a valid Probing Smart Card to the Smart Card reader on the Farebox of the vehicle, initiating the probing operation.
- Step 2** The Farebox “looks for” a wireless network link.
- Step 3** The Garage Computer communicates with the Farebox and uploads transaction data to the Garage Computer. A screen pops up requesting that the user choose either “Vaulting” or “Service.” When the operator chooses “Vaulting,” the operation normally requires about thirty seconds to complete. When applicable, the Garage Computer also downloads certain update information to the Farebox at this time. If this occurs, the OCU displays a message to the agent.
- Step 4** If probing is successful, the Farebox unlocks the revenue door to permit the vaulting agent to remove the Cashbox, as described in 7.3. If probing is not successful, refer to 7.5 for alternate procedures.

7.3 Normal Vaulting

The normal procedure for transferring the contents of the Cashbox to the Mobile Vault is as follows:

- Step 1** When the probing operation unlocks the revenue door, the agent grasps the handle of the Cashbox, presses the hook that holds the Cashbox in place, and removes the Cashbox from the Farebox. While the bus or other vehicle waits, the agent carries the Cashbox to the Cash Receiver at the CRS.
- Step 2** The agent inserts the Cashbox into the Cashbox Receiver, pulls down the Cashbox handle to lock it in place, closes the door, and pushes the appropriate button for 2-3 seconds. This action empties the contents of the Cashbox into a Mobile Vault within the CRS and prepares the Cashbox for re-insertion into a Farebox.
- Step 3** Cashbox content vaulting completion is displayed on the Cashbox Receiver as a lit green LED. Verify the cashbox indicator is not red and remove the Cashbox.
- Step 4** The agent then carries the Cashbox to the waiting vehicle, inserts the Cashbox into the Farebox until the hook that holds the Cashbox in position clicks into place, verifies that the Cashbox indicator is not red, and closes the revenue door. The agent keeps pressure on the door until the Farebox automatically locks the door, (a chime indicates that the door is locked and the OCU displays a screen indicating that the door is locked), and logs off the vaulting agent, ending the probing session.

Each time a Farebox is probed by the system, the system creates a record containing the relevant probing event information, such as date, time, status, vehicle ID, location of probing, and other relevant data.

7.4 Normal Data Download

During probing, fueling, exiting from the garage, or whenever deemed appropriate, additional wireless communications between Farebox and Garage Computer can occur automatically whenever updates are available. During a download, the Version Implementation screen indicating download status is displayed on the Farebox OCU to inform the agent that data transmission is in progress. Examples of the types of data transferred that could be transferred are:

- Downloading of new fare information
- Downloading of operational data
- Software version updates
- Download of hotlist/action lists
- Uploads of event and transaction data

Software updates such as download of a new version may take as much as five minutes to complete. Software updates of this size, therefore, should be normally done on the service bench rather than during a probing operation.

NOTICE

Never cut the network connection during a download! This can cause serious Software corruption.

7.5 Manual Probing of a Farebox

If automatic probing is not successful, or if the wireless LAN is not available, the agent can perform a manual probing operation, as follows:

Manual probing requires a contactless Probing Smart Card for access to the system, a key to open the computer door on the Farebox, and an initialized Data Carrier (USB Memory Stick) to carry the data from the Farebox to the CCS Workstation.

- Step 1** At the CCS Workstation, the agent initializes a USB stick or flash drive as an offline data carrier. The procedure is performed entirely within the Shifts module. On the Shifts module left menu bar, select **Initialize offline data carrier**.

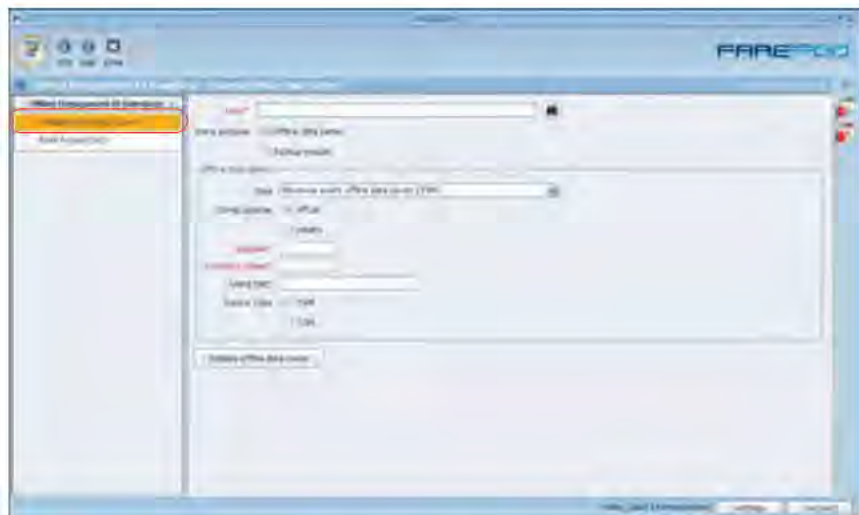


Figure 7-4 Shifts - Initialize Offline Data Carrier Interface

- Step 2** Click the binoculars icon to have the FareGo Data CS application search for an external drive (**Figure 7-5**).

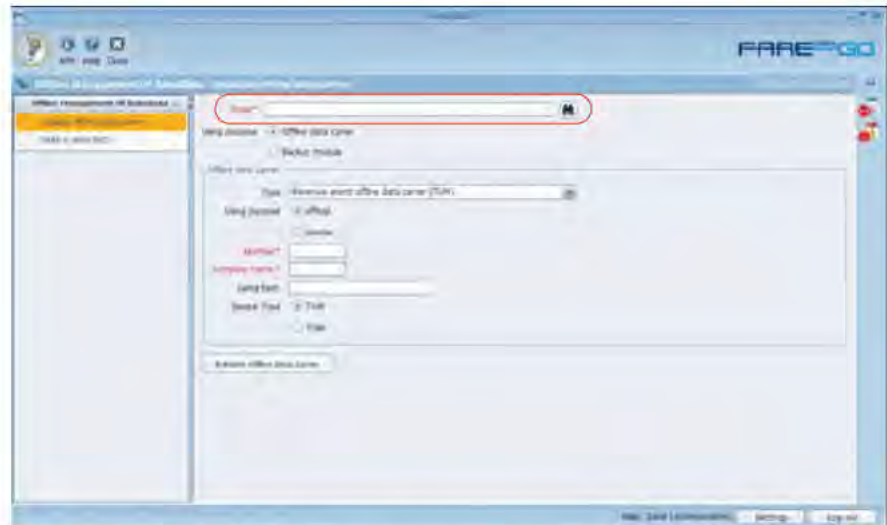


Figure 7-5 Initialize Offline Data Carrier Interface, Drive Selection

NOTICE

The medium to be initialized must be completely clean. If it has been used for another purpose, make sure that any hidden system files are deleted.

- Step 3** A selection interface is displayed. If a drive is not found, the only option is to click **Cancel**. If a drive is found, select it and click **Select**.



Figure 7-6 Select Storage Device Dialog

If the medium located is not suitable to be an offline data carrier, for example, if it already contains files or folders, an error message is displayed (). Click **OK**.

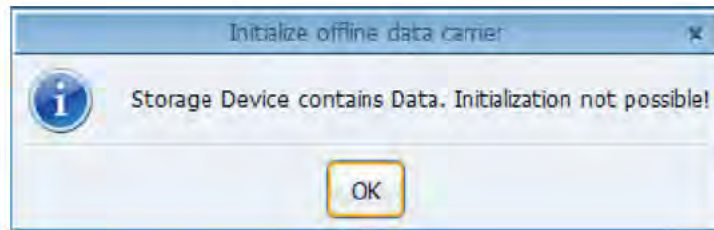


Figure 7-7 Initialization Error

Step 4 Complete the rest of the initialization information and click **Initialize offline data carrier** (Figure 7-8).

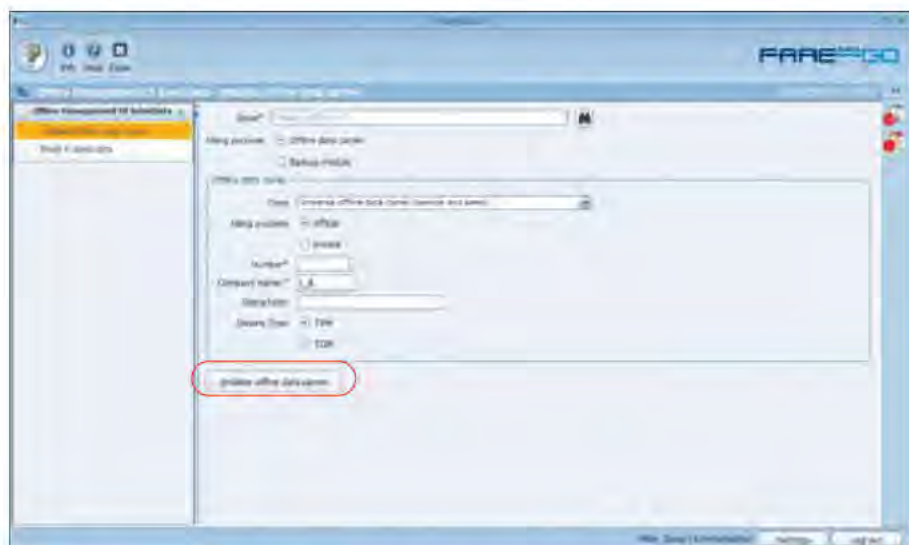


Figure 7-8 Initialize Offline Data Carrier Interface - Initialization Information

The fields are:

Using Purpose: 'Offline data carrier' is the default. 'Backup module' initializes the drive to be used to save data in the device. It remains in the device as a backup in case the device's hard drive fails.

When 'Offline data carrier' is selected as the using purpose, the following fields are available.

Required:

Type: Select 'Universal Offline Data Carrier'. This initializes the drive to hold both downloads (new versions) and uploads (manually transferred shift files done during Offline Probing).

Using Purpose: Defaults to 'Official'. Leave unchanged.

Number: Always set to 1.

Company Name: Defaults to the agency name. If the data carrier is being initialized for another organization, select it from the list.

Device Type: Defaults to ". Leave unchanged.

Optionally, enter a drive description in the **Using** text field.

If 'Backup module' is selected as the **Usage purpose**, no other fields are provided.

- Step 5** When the initialization process is complete a notification window is displayed (**Figure 7-9**). Click OK and remove the offline device.



Figure 7-9 Offline Data Carrier Initialization Complete

An offline data carrier that has been initialized as a universal data carrier will have files and folders as shown in **Figure 7-10**. The DOWN and UP folders are initially empty. The DAT file is an ID that tells the device what this memory stick can do.

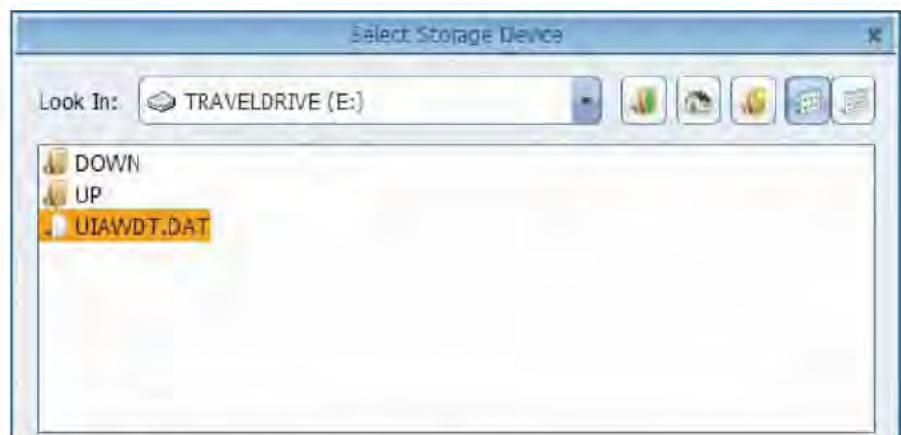


Figure 7-10 Initialized Device File and Folders

Once you have initialized the offline data carrier to make it into a full MasterModule that can be used to initialize field devices, open the Devices module, select the Initialization Data Release interface, and click Load Initialization Data. This will put the needed version files into the DOWN folder. The UP folder will remain empty until you perform Offline Probing, where you will transfer shift files (using commands <065> and <066>) into the UP folder. This will allow the manual insertion of shift files into the database.

- Step 6** At the Farebox, the agent logs-in. A screen pops up requesting that the agent choose either "Service" or "Vaulting."
- Step 7** The agent chooses "Service" and, if authorization is granted, the Farebox displays the "Service" screen on the OCU.
- Step 8** At the Farebox and using an authorized key, the agent unlocks and opens the hood to the bottom compartment (computer) and plugs the Data Carrier into the USB connector.
- Step 9** At the OCU, the agent logs into the Farebox with a valid ID and PIN.

NOTICE

The Bus Operator has to end the tour and sign off before the Revenue Service Agent logs on.

- Step 10** To initiate manual probing to transfer shift files, the agent enters Service Command **<182>**, which automatically opens the revenue door after downloading and uploading the data.
- The Farebox starts the process and displays a message indicating success or failure of the download to the Data Carrier.
- Step 11** Remove the Cashbox and insert a reset empty Cashbox.
- Step 12** The agent inserts the full Cashbox into the Cashbox Receiver, pulls down the Cashbox handle to lock it in place, closes the door, and pulls down the handle of the Cashbox Receiver. This action empties the contents of the Cashbox into a Mobile Vault within the CRS and prepares the Cashbox for re-insertion into a Farebox.
- Step 13** The agent closes the door.
- Step 14** If probing is successful, the agent removes the Data Carrier from the computer and closes/locks the door to the computer compartment.

NOTICE

Vaulting could be done at the same time as manual probing, but may also be performed at a later time. Since all data is stored at the Farebox, the next time wireless probing occurs, the data is automatically uploaded as in the normal procedure.

- Step 15** The agent logs off the Farebox by entering Service Command **<099>** or by pressing the **<Log Off>** button on the OCU screen.
- Step 16** The agent can then carry the Data Carrier to the CCS Workstation and upload the data using the FareGo process.

7.5.1 Manual Uploading at a CCS Workstation

After data has been transferred to the offline Data Carrier, the agent goes to the CCS Workstation and takes the following actions:

- Step 1** On the Shifts module left menu bar, select Read in sales data. The Read in sales data interface is displayed.

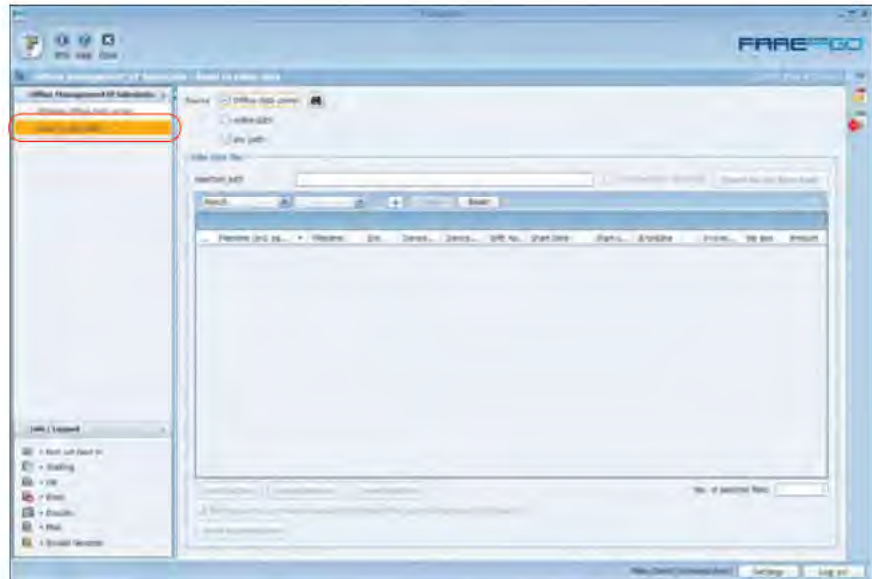


Figure 7-11 Shifts - Read in Sales Data Interface

- Step 2** Select "Offline data carrier" and the application begins to search for an external drive containing shift files in the UP folder. If the search does not begin, click the binoculars (**Figure 7-12**).

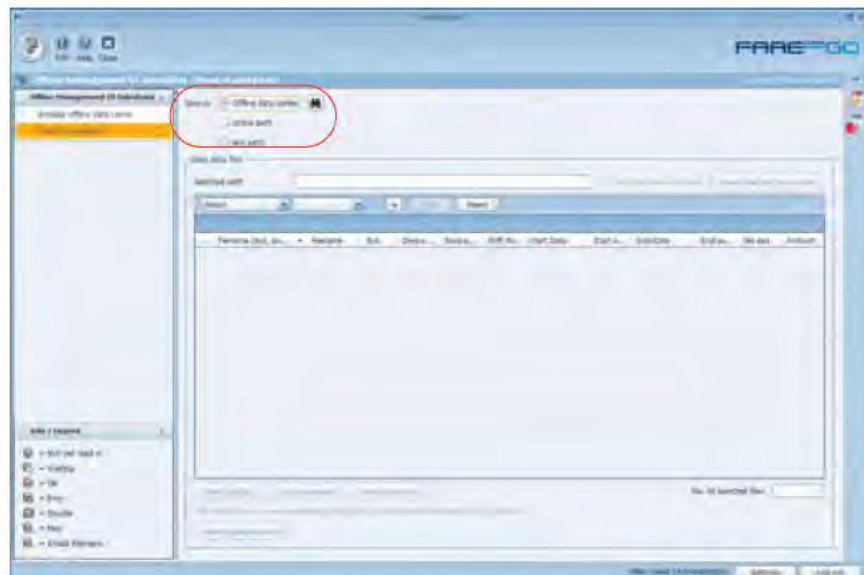


Figure 7-12 Read in Sales Data Interface, Drive Location

- Step 3** A selection interface is displayed (**Figure 7-13**). If a drive with shift files on it is not found, the only option is to click Cancel. If a drive with shift files is found, select it and click **Select**.



Figure 7-13 Select Storage Device Dialog

Step 4 The files in the designated location are checked and then are displayed in the 'Sales Data Files' list along with the results of the check (**Figure 7-14**). Select the files to read in.

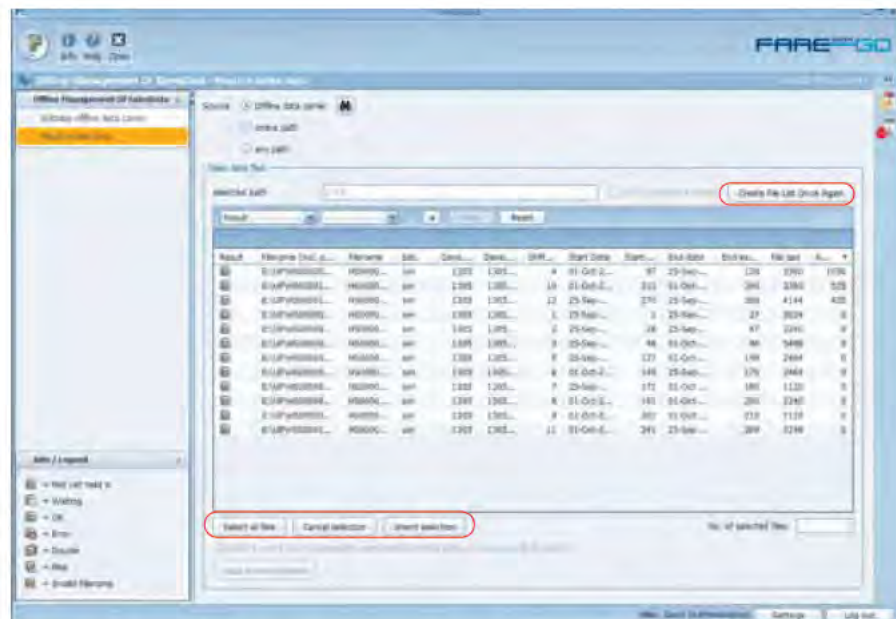


Figure 7-14 Read in Sales Data Interface, Sales Data Files Populated
Standard filter functionality allows you to find specific files to read in.

The selected path is displayed above the Sales Data Files list. 'Sub-directories included' is a system-set indicator of whether or not it has searched subdirectories.

The following function buttons are available:

Create File List Once Again: For online devices, the list is populated with any new files created since the last time the path was read.

Select all files: Selects all files displayed on the list.

Cancel selection: De-selects all selected files on the list.

Invert Selection: Selects all the files not currently selected, and de-selects all currently selected files.

Step 5 After files are selected, click **Read in selected files** ().



Figure 7-15 Read in Sales Data Interface, Sales Data Files Selected

If the source is an offline data carrier the system checks the check box 'Before read-in copy marked sales data files into offline path and remove CRC if needed.' When this checkbox is checked, the system copies the file and removes cyclic redundancy check data, if any is incorporated with the file, before reading in the file.

Step 6 After the files are read in, a confirmation screen asks you to check results (**Figure 7-16**). This summary allows you to see any problems such as .DBL or .ERR files before the results are blended into the larger list. When you are finished reviewing the list, click Results Checked. To delete the shift files from the offline data carrier, click **Results Checked**. To delete the shift files from the offline data carrier, click **Results Checked - Delete Files Read In**.

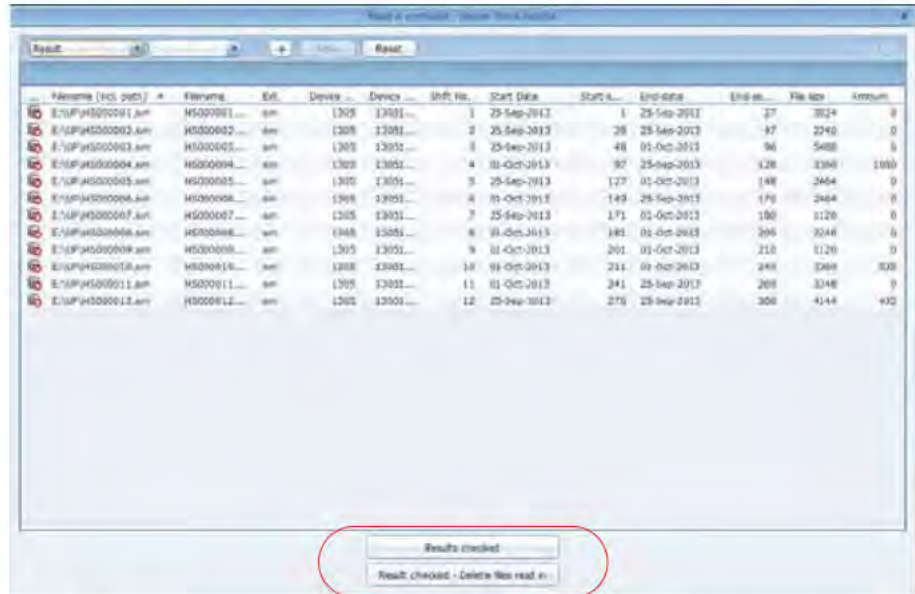


Figure 7-16 Read in Sales Data Interface, Check Results

Step 7 The agent then removes the data carrier, logs off, and exits from the CCS Workstation.

7.5.2 Offline Data Transfer

When the wireless LAN is not available, data download is handled by using an Offline Data Carrier (USB Memory Stick) with the following procedure.

Step 1 At the CCS Workstation, the agent initializes a USB stick or flash drive as an offline data carrier. The procedure is performed entirely within the Shifts module. On the Shifts module left menu bar, select **Initialize offline data carrier**.

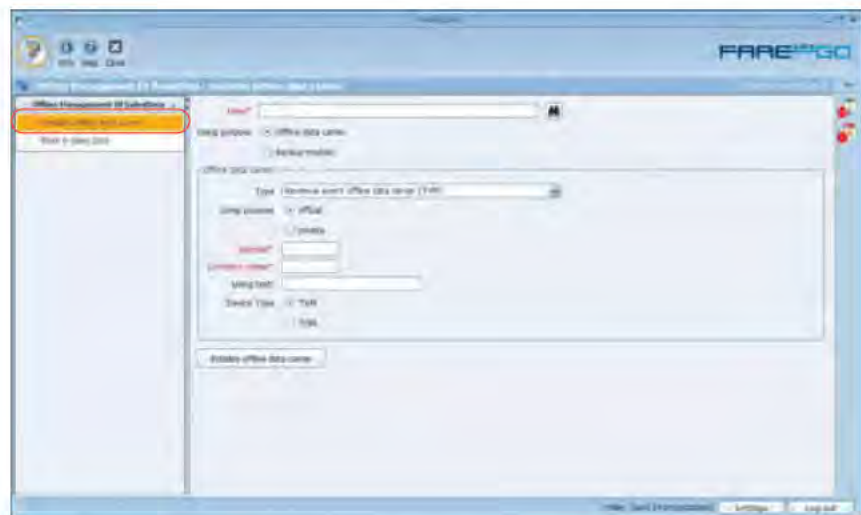


Figure 7-17 Shifts - Initialize Offline Data Carrier Interface

Step 2 Click the binoculars icon to have the FareGo Data CS application search for an external drive (Figure 7-18).

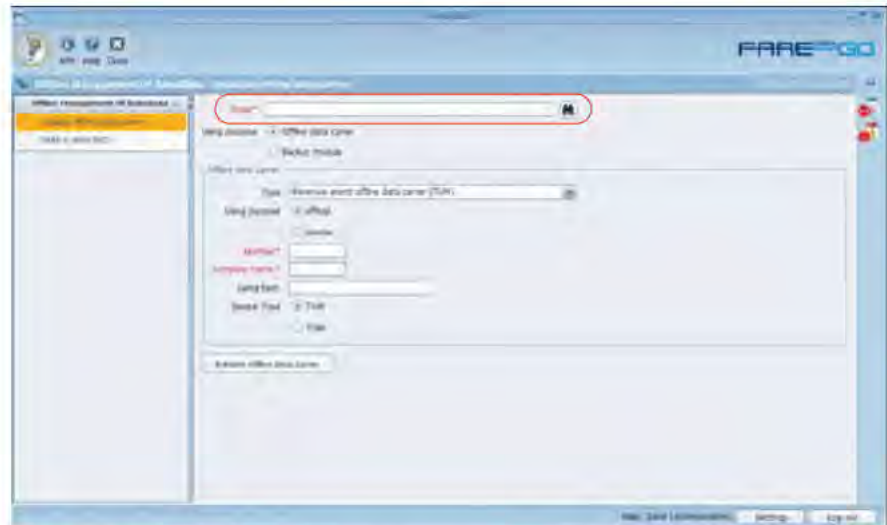


Figure 7-18 Initialize Offline Data Carrier Interface, Drive Selection

NOTICE

The medium to be initialized must be completely clean. If it has been used for another purpose, make sure that any hidden system files are deleted.

- Step 3** A selection interface is displayed. If a drive is not found, the only option is to click **Cancel**. If a drive is found, select it and click **Select**.



Figure 7-19 Select Storage Device Dialog

If the medium located is not suitable to be an offline data carrier, for example, if it already contains files or folders, an error message is displayed (). Click **OK**.

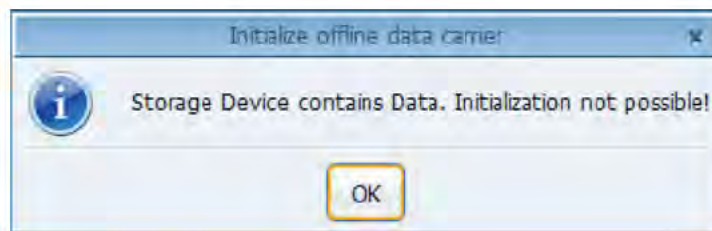


Figure 7-20 Initialization Error

Step 4 Complete the rest of the initialization information and click **Initialize offline data carrier** (**Figure 7-21**).

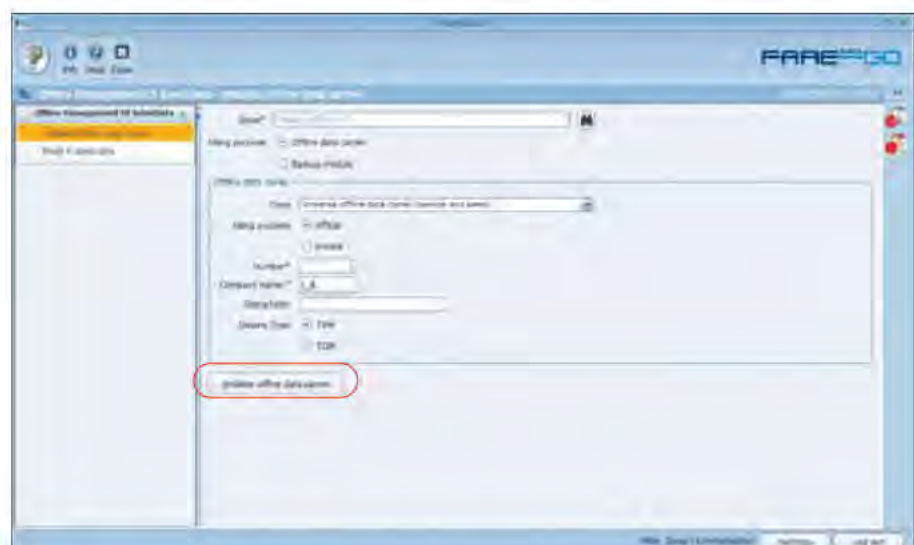


Figure 7-21 Initialize Offline Data Carrier Interface - Initialization Information

The fields are:

Using Purpose: 'Offline data carrier' is the default. 'Backup module' initializes the drive to be used to save data in the device. It remains in the device as a backup in case the device's hard drive fails.

When 'Offline data carrier' is selected as the using purpose, the following fields are available.

Required:

Type: Select 'Universal Offline Data Carrier'. This initializes the drive to hold both downloads (new versions) and uploads (manually transferred shift files done during Offline Probing).

Using Purpose: Defaults to 'Official'. Leave unchanged.

Number: Always set to 1.

Company Name: Defaults to the agency name. If the data carrier is being initialized for another organization, select it from the list.

Device Type: Defaults to ". Leave unchanged.

Optionally, enter a drive description in the **Using** text field.

If 'Backup module' is selected as the **Usage purpose**, no other fields are

provided.

- Step 5** When the initialization process is complete a notification window is displayed (**Figure 7-22**). Click OK and remove the offline device.

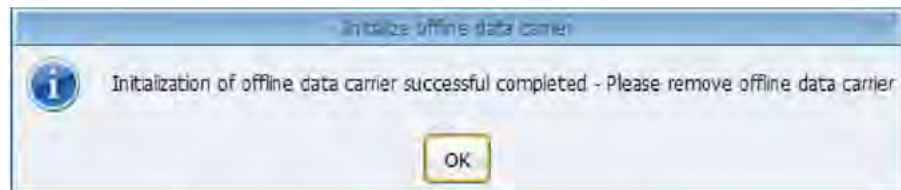


Figure 7-22 Offline Data Carrier Initialization Complete

An offline data carrier that has been initialized as a universal data carrier will have files and folders as shown in **Figure 7-23**. The DOWN and UP folders are initially empty. The DAT file is an ID that tells the device what this memory stick can do.

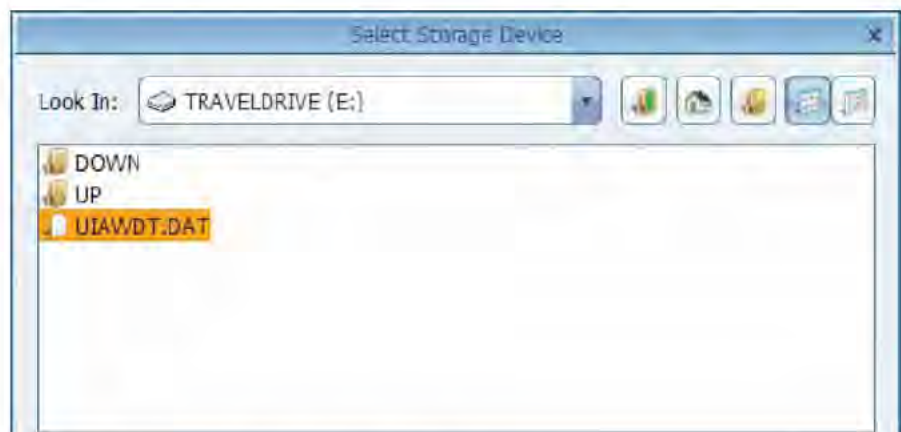


Figure 7-23 Initialized Device File and Folders

- Step 6** When download is complete, the agent clicks the **<Exit>** button, logs off, removes the Data Carrier, and takes the Data Carrier to the Farebox.
- Step 7** At the Farebox, the agent or technician presents a valid Probing Smart Card to the target and requests authorization to service the Farebox. The Farebox grants permission and then displays the Service Menu on the OCU screen.
- Step 8** The agent or technician uses an authorized key to open the door to the computer compartment and plugs the Data Carrier into the USB port on the computer.
- Step 9** At the OCU, the agent or technician enters Service Command **<061>** to start data download from the Data Carrier to the Farebox. This includes the most current positive file that was on the CSS at the time the data module was loaded. The Farebox will respond with "Version No Work" because there were no software versions on the data carrier module.
- Step 10** Press the "Log Off" button to leave Service Mode.
- Step 11** The Farebox reboots and is ready for revenue service.
- Step 12** The agent or technician then removes the Data Carrier from the computer and closes and locks the compartment door.

- 7.5.3 Reviewing Last Data** To review recent data at the Farebox, the service technician presents a valid Probing Smart Card to the Farebox target. The Farebox reads the ID and other card data and, if correct, authorizes access and displays the Service Menu on the OCU screen. The technician can now enter service commands to display “last data.” The types of data that can be reviewed are:
- Last 30 event codes with date and time of occurrence
 - Date and time of last probing
- 7.6 Cashbox Vaulting** Cashbox Vaulting is the process of transferring coins and bills from the Cashbox to the Cashbox Receiver System. The agent needs to work with the Garage Computer by means of a Workstation to perform Cashbox Vaulting operations. The sections below describe the entire process in detail.
- 7.6.1 Log On Instructions** Follow the steps below to start a Workstation and log on to the CCS Garage Computer.
- 7.6.1.1 Power Up The Workstation** The initial procedure is to verify that the workstation is operational. Follow the steps below:
- Step 1** Make sure that the workstation and the Cashbox receiver system are properly connected and provided with current.
- Step 2** Switch on the monitor.
- Step 3** Switch on the computer.
- 7.6.1.2 Enter Windows** Once the computer is running, the user needs to connect to the server. Follow the steps below:
- Step 1** The computer boots the Windows Operating System.
- Step 2** A request screen appears on the monitor. Follow the instructions to press the <Ctrl> + <Alt> + keys simultaneously.
- Step 3** When the next screen appears, enter a valid username and password in order to access to the Windows Operating System.
- Step 4** The workstation automatically connects to the server and the Windows desktop appears on the monitor.
- 7.6.2 Start The Main module** After the user connects to the server, the next step is to connect to the Main module. Follow the steps below:
- Step 1** Double-click on Desktop item labeled “Shortcut to Psiboot.bat” to start the “Main module”.

NOTICE

Wait until the program “Main module” automatically starts.

The screen in **Figure 7-24** appears on the monitor.



Figure 7-24 Main module - locked

NOTICE

If the system crashed at the last use, the query dialog in **Figure 7-26** will be

displayed on the monitor.

Figure 7-25

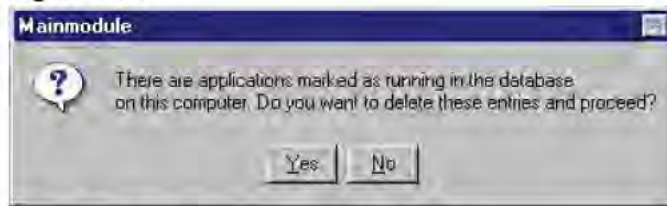


Figure 7-26 System crash - query dialog

Step 1 Click on <Yes> to enter the Main module.

7.6.2.1 How to Log On

Log on to the Main module by following the steps below:

Step 1 Click on the <Padlock> button (**Figure 7-27**) or select "System" from the main menu and choose "Log in / Log out" from the drop-down menu (**Figure 7-28**).



Figure 7-27 Locked/red padlock button



Figure 7-28 System → Log in / Log out (locked)

A dialog box (**Figure 7-29**) appears on the monitor:



Figure 7-29 User Logon

Step 2 Enter a valid user ID No. (identification number) and password (**Figure 7-29**).

NOTICE

For security reasons, the user's password appears as asterisks on the screen (**Figure 7-29**).

If the user's current password is near expiration, the query dialog in **Figure 7-1** appears on the monitor when the user attempts to log in.



Figure 7-1 User Logon - query dialog

- Step 3** Click the **<No>** button to enter the system without changing the password or click the **<Yes>** button to change the password (refer to the CCS User's Manual).
 If the user's current password has already expired the warning in **Figure 7-30** appears on the monitor when the user attempts to log in.



Figure 7-30 User Logon - warning dialog 1

- Step 4** Click on **<OK>** and refer to the CCS User's Manual to change the password.

NOTICE

If the password is not changed within the grace period, the program "Main module" is not accessible. The error message in **Figure 7-31** appears on the monitor.
 If the user is locked out, the error message in **Figure 7-32** appears on the monitor.



Figure 7-31 User Logon - error message 1

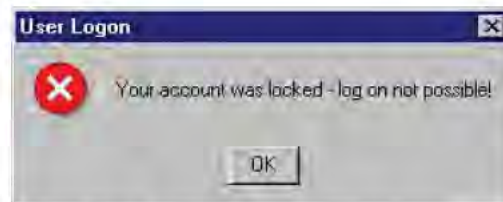


Figure 7-32 User Logon - error message 2

- Step 5** Click on **<OK>** and contact your system administrator.

NOTICE

If the System ID is incorrect, the "Unknown user!" warning (**Figure 7-33**) appears.



Figure 7-33 User message - warning 2

NOTICE

If the user enters the wrong password, the "Invalid password!" warning (**Figure 7-34**) appears on the monitor.



Figure 7-34 User message - warning 3

Step 6 If one of these boxes (**Figure 7-33**or **Figure 7-34**) appears, click on the <**OK**> button and repeat **Step 2**.

NOTICE

If the system accepts the user's ID and password, the <Padlock> button (**Figure 7-35**) is now unlocked and the complete Main module menu bar appears. One of the choices on the complete Main module menu bar is "Vaulting" as shown in **Figure 7-36**.



Figure 7-35 Unlocked/green padlock button



Figure 7-36 Main module - "Vaulting" Menu Item

7.6.3 Log On and Log Off for Revenue Agents

It is very important for a Revenue Agent to log on to the system before attempting to use the Cashbox Receiver System.

NOTICE

Please note, it is essential for the Revenue Agent to Log On as described below. Fareboxes will not accept a Revenue Agent's Smart Card for Revenue Service unless the Revenue Agent is logged on to the workstation.

- Step 1** To log on as a Revenue Agent:
- Select "Vaulting" from the main menu and choose "Status Vaulting Station" from the drop-down menu, as shown above in **Figure 7-36**.
 - The "Vaulting Station Devices" screen will open, as shown in **Figure 7-37**.

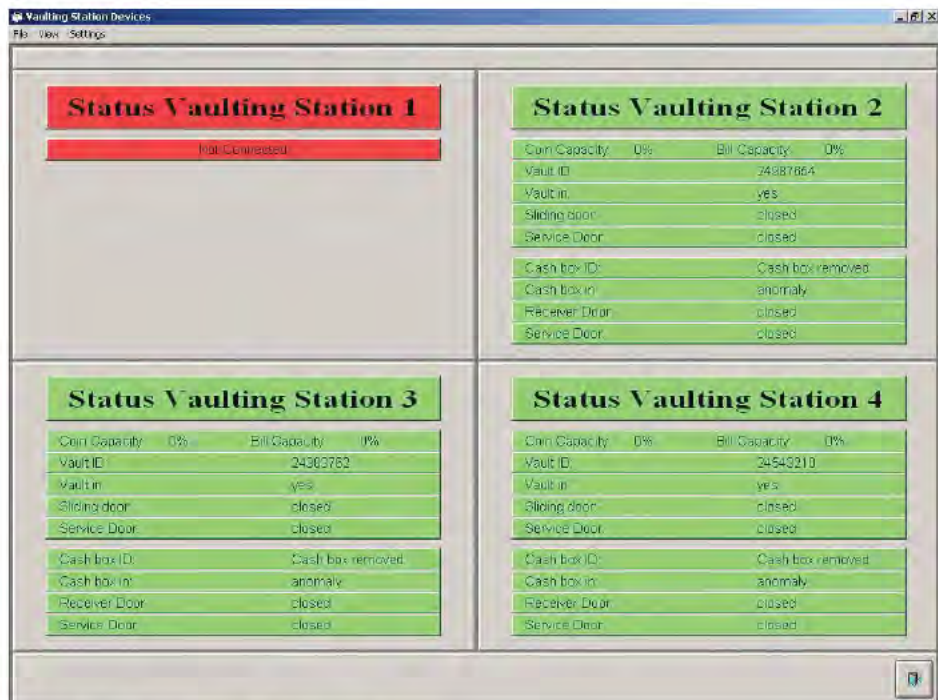


Figure 7-37 Vaulting Station Devices

The main menu bar will change to present the choices shown **Figure 7-38**.



Figure 7-38 Vaulting Station Devices Main Menu Bar

NOTICE

For the rest of this application, all functions will be selected from the choices presented through this main menu bar.

- Step 2** Present your Revenue Agent Smart Card to the Smart Card Reader.

NOTICE

Please note, by default, the system will automatically log a Revenue Agent off if there is no activity for three hours.

A popup appears in the center of the screen indicating that a Revenue Agent is Logging On, as shown in **Figure 7-39**. In addition, the system will respond with an audible beep tone.

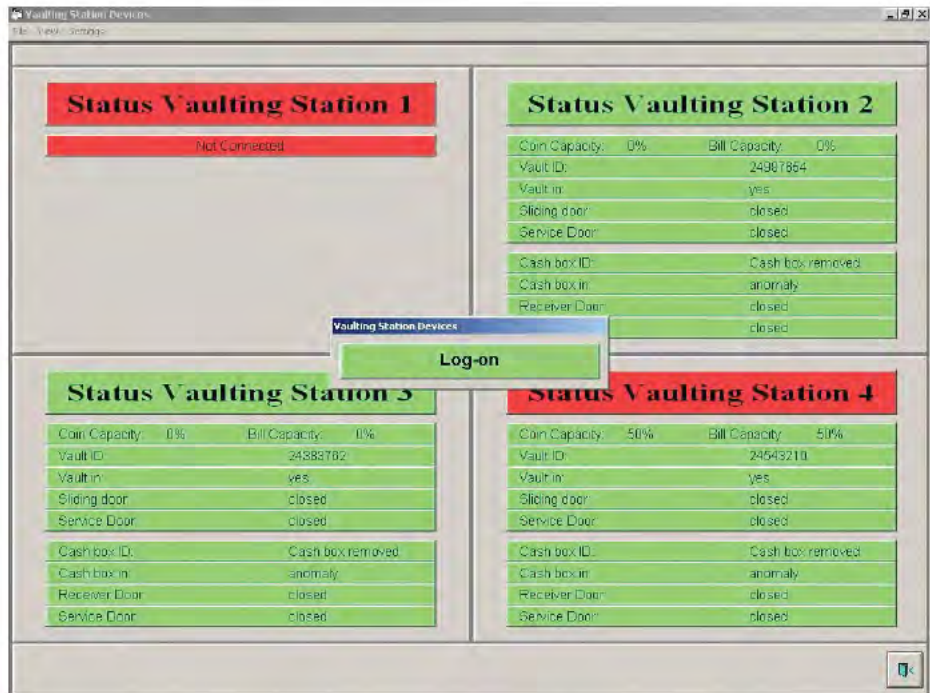


Figure 7-39 System Log on

Step 3 To Log Off, present your Revenue Agent Smart Card to the Smart Card reader again and the system will Log Off the Revenue Agent, as shown in **Figure 7-40**.

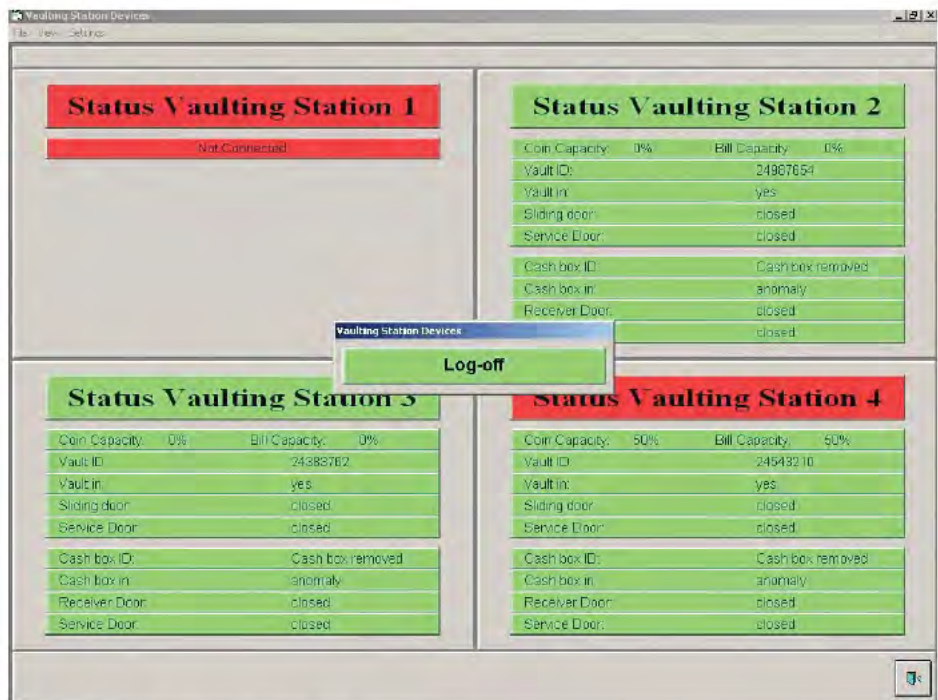


Figure 7-40 Log off (from the System)

NOTICE

To see which Revenue Agents are logged on to the system please refer to

Section 7.10 View Revenue Agents on page 113.

7.7 Vaulting Functions of the Workstation

Every time a Cashbox is removed from a Farebox and emptied into the Cashbox Receiver System, the Vaulting software must be activated. If the Vaulting software is not used during this procedure (Cashbox removal and emptying), the Scheidt & Bachmann System cannot correctly produce a receipt detailing the shift data from the Farebox.

- Step 1** Select "Vaulting" from the main menu, and "Status Vaulting Station" from the drop-down menu (**Figure 7-41**).



Figure 7-41 Vaulting → Status Vaulting Station

NOTICE

Wait until the next screen (**Figure 7-42**) automatically starts.

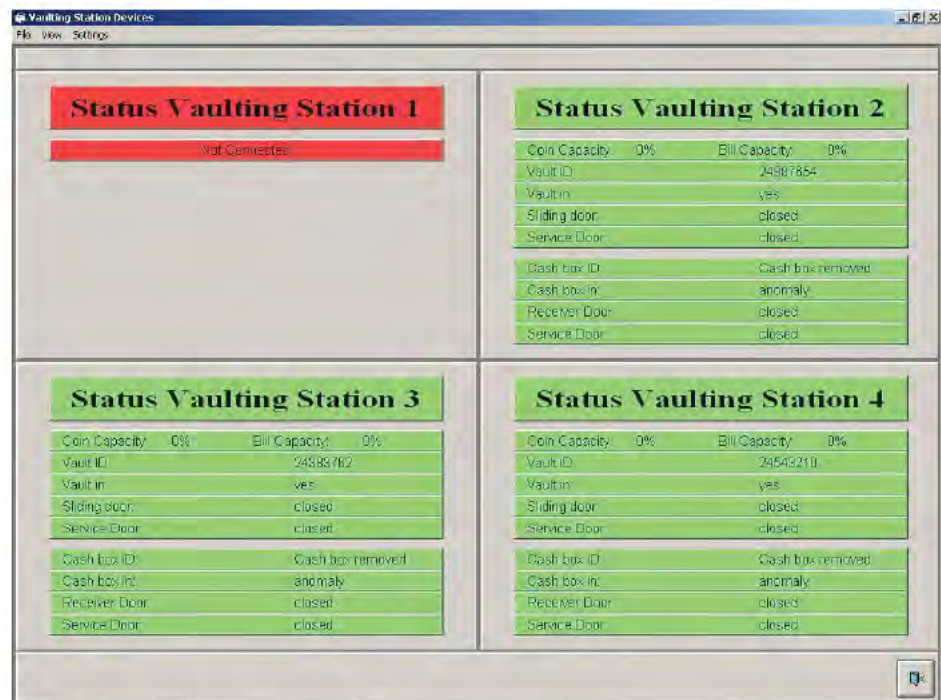


Figure 7-42 Vaulting Station Devices

NOTICE

This screen displays the actual status of the Vaulting Stations. This software provides the ability to see the status of up to 4 Vaulting Stations. In this example, only 3 Vaulting Stations are connected with the system.

Status Vaulting Station 4			
Coin Capacity:	0%	Bill Capacity:	0%
Vault ID:	24543210		
Vault in:	yes		
Sliding door:	closed		
Service Door:	closed		
Cash box ID:	Cash box removed		
Cash box in:	anomaly		
Receiver Door:	closed		
Service Door:	closed		

Figure 7-43 Vaulting Status Example

7.7.1 Status Screen Description

The following options are displayed on the Vaulting Station Status screen:

- Coin Capacity:
- Bill Capacity:
- Vault ID:
- Vault in:
- Sliding Door:
- Service Door:
- Cashbox ID:
- Cashbox in:
- Receiver Door:
- Service Door:

Detailed description:

Coin Capacity:

This item displays the actual coin capacity as a percentage.

Bill Capacity:

This item displays the actual bill capacity as a percentage.

Vault ID:

This item displays the identification number of the inserted vault.

Vault in:

This item displays whether a Vault is inserted.

Sliding Door:

Shows the status of the "Sliding Door."

Possible options are "Open" and "Closed".

Cashbox ID:

Displays the identification number of an inserted Cashbox or the message "Cashbox removed" if there is no Cashbox present.

Cashbox in:

Displays whether a Cashbox is inserted.

Receiver Door:

Shows the status of the "Receiver Door".

Possible options are: "Open" and "Closed".

Service Door:

Displays the status of the "Service Door".

Possible options are: "Open" and "Closed".

When the Cashbox is identified correctly, the screen will be displayed as follows:

Status Vaulting Station 4			
Coin Capacity:	5%	Bill Capacity:	5%
Vault ID:	24543210		
Vault in:	yes		
Sliding door:	closed		
Service Door:	closed		
Cash box ID:	23383762		
Cash box in:	Cash box inserted		
Receiver Door:	closed		
Service Door:	closed		

Figure 7-44 Correct Identification

NOTICE

A color-code system is used to distinguish between different status conditions. For example, all important and critical conditions will be displayed in yellow or red.

YELLOW indicates a WARNING

RED indicates a CAUTION

For example:

If the Cashbox is inserted but the Service Door is not closed, the software shows the following screen (**Figure 7-45**).

Status Vaulting Station 4			
Coin Capacity:	5%	Bill Capacity:	5%
Vault ID:	24543210		
Vault in:	yes		
Sliding door:	closed		
Service Door:	opened		
Cash box ID:	Cash box removed		
Cash box in:	anomaly		
Receiver Door:	closed		
Service Door:	closed		

Figure 7-45 Service Door Open

If the Sliding Door is not closed, the following screen is displayed (**Figure 7-46**).

Status Vaulting Station 4			
Coin Capacity:	5%	Bill Capacity:	5%
Vault ID:	24543210		
Vault in:	yes		
Sliding door:	opened		
Service Door:	closed		
Cash box ID:	Cash box removed		
Cash box in:	anomaly		
Receiver Door:	closed		
Service Door:	closed		

Figure 7-46 Sliding Door Open

If the Cashbox is not inserted and the Mobile Vault transponder is not detected by the system, the screen is displayed as follows (**Figure 7-46**).

Status Vaulting Station 4			
Coin Capacity:	0%	Bill Capacity:	0%
Vault ID:	vault removed		
Vault in:	anomaly		
Sliding door:	closed		
Service Door:	closed		
Cash box ID:	Cash box removed		
Cash box in:	anomaly		
Receiver Door:	closed		
Service Door:	closed		

Figure 7-47 Vault Removed

7.8 Thresholds

The “Threshold” part of the application is designed to set the capacity threshold value for the vaulting stations. The agent has the ability to set one value for all stations or individual values for each station. The actual capacity of each vaulting station is always displayed on the screen. See (**Figure 7-43**).

To set the Threshold Values of the Vaulting Stations, follow the steps below:

- Step 1** Select “Settings” from the main menu and choose “Threshold” from the drop-down menu (**Figure 7-48**).



Figure 7-48 Settings → Threshold

Two option are available:

- Threshold all
- Threshold single

To set the Threshold Values for all stations at once, follow the steps below:

- Step 1** Click on “Threshold all” in **Figure 7-48** and the following screen appears on the monitor (**Figure 7-49**).

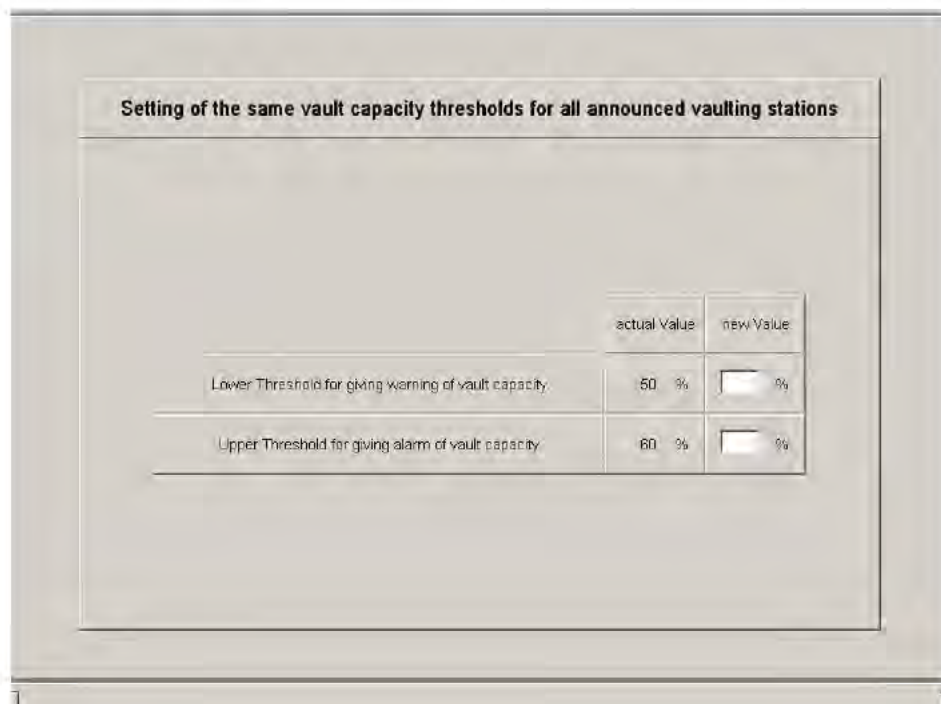



Figure 7-49 Screen of Threshold all

- Step 2** Select the Lower Threshold “new Value” box by clicking on it.
- Step 3** Enter the new lower threshold value.
- Step 4** Select the Upper Threshold “new Value” box by clicking on it.
- Step 5** Enter the new upper threshold value.
- Step 6** Click on the **<Save>**  button to save the new data.

To set the Vault Capacity Threshold individually for each Vaulting Station, follow the steps below:

- Step 1** Click on “Threshold single” in **Figure 7-48** and the following screen appears on the monitor (**Figure 7-50**).

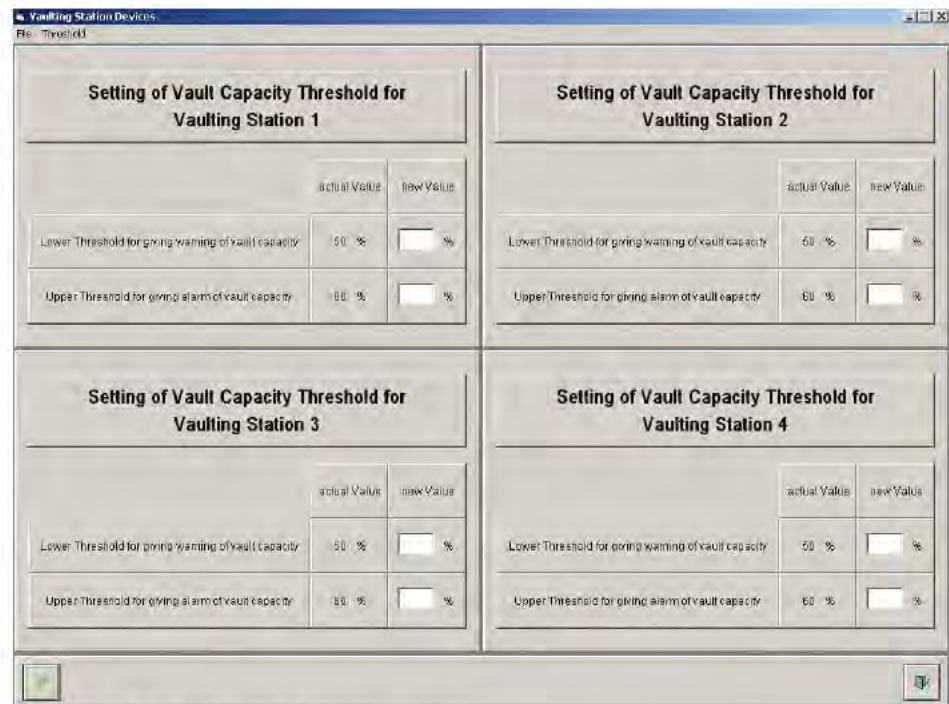



Figure 7-50 Screen of Threshold single

- Step 2** Select the Lower Threshold “new Value” box by clicking on it.
- Step 3** Enter the new capacity threshold value.
- Step 4** Select the Upper Threshold “new Value” box by clicking on it.
- Step 5** Enter the new capacity threshold value.
- Step 6** Click on the **<Save>**  button to save the new data.

Lower Threshold for giving warning of vault capacity:

When the lower-limit of capacity for giving a warning is reached, the system displays the warning by showing the station identification heading in yellow, as shown in **Figure 7-51**.

Status Vaulting Station 4			
Coin Capacity:	35%	Bill Capacity:	35%
Vault ID:	24543210		
Vault in:	yes		
Sliding door:	closed		
Service Door:	closed		
Cash box ID:	Cash box removed		
Cash box in:	anomaly		
Receiver Door:	closed		
Service Door:	closed		

Figure 7-51 Status of the Vaulting Station (yellow)

Upper Threshold for giving alarm of vault capacity:

When the upper limit of capacity for giving an alarm is reached, the system displays the alarm by showing the station identification heading in red, as shown in **Figure 7-52**.

Status Vaulting Station 4			
Coin Capacity:	50%	Bill Capacity:	50%
Vault ID:	24543210		
Vault in:	yes		
Sliding door:	closed		
Service Door:	closed		
Cash box ID:	Cash box removed		
Cash box in:	anomaly		
Receiver Door:	closed		
Service Door:	closed		

Figure 7-52 Status of the Vaulting Station (red)

7.9 Clear Cashbox Timeout

This part of the application is designed to set the Cashbox Timeout (**Figure 7-54**). The Timeout parameter displays the interval between removing the Cashbox from the Farebox and inserting it into the Cash Receiver System.

Step 1

Select "Settings" from the main menu and choose "Clear cashbox timeout" from the drop-down menu (**Figure 7-53**).



Figure 7-53 Settings → Clear cashbox timeout

The following screen appears on the Monitor (**Figure 7-56**).

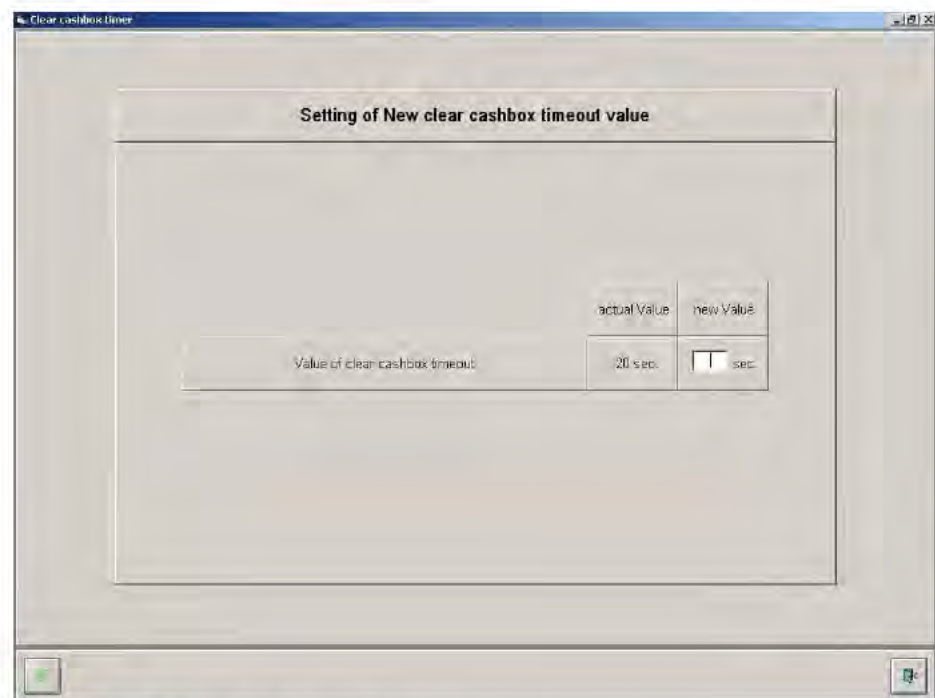


Figure 7-54 Cashbox Timeout Screen

To change the current value please follow the steps below:


Step 1

Select the "new Value" box by clicking on it.

Step 2

Enter the new value in seconds.

Step 3

Click on the **<Save>**  button to save the new data.

7.10 View Revenue Agents

Step 1

This part of the application is designed to display which revenue agents are currently logged on to the system.

Select "View" from the main menu and choose "Revenue agents" from the drop-down menu (**Figure 7-55**).



Figure 7-55 View → Revenue agents

The following screen appears on the monitor showing a popup with the identification numbers of the currently logged on revenue agents (**Figure 7-56**).

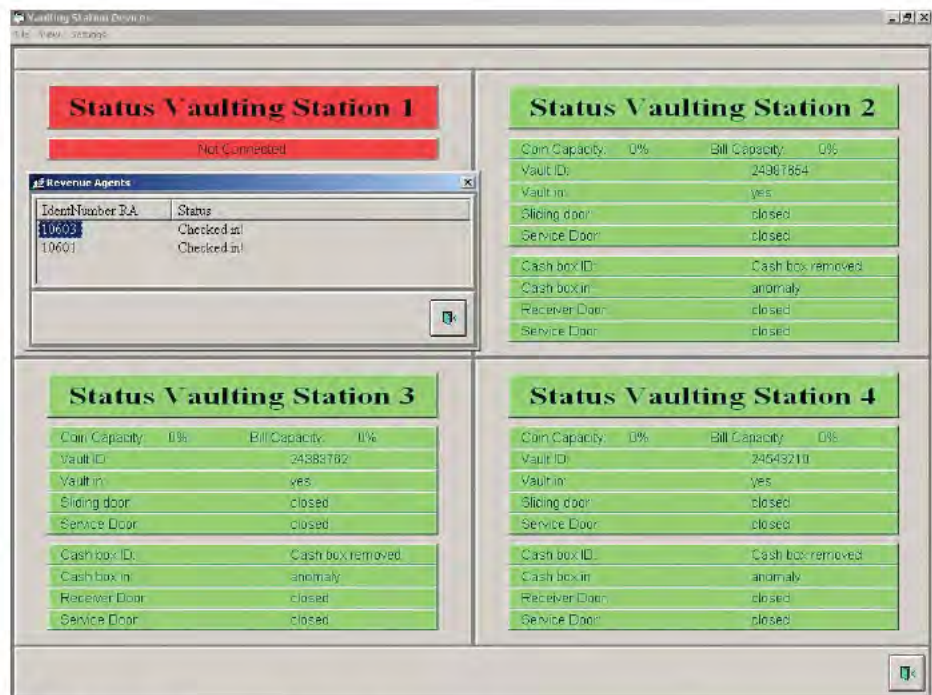


Figure 7-56 Screen of Revenue Agents

7.11 Cashbox In Transfer

This part of the application is designed to display the status of the cashboxes. For example, if a Cashbox is removed from the Farebox but not inserted into a Mobile Vault, a “Cashboxes in transfer” popup appears which shows the Cashbox ID, its status, and the current date and time.

- Step 1** Select “View” from the main menu and choose “Cashboxes in transfer” from the drop-down menu (**Figure 7-57**).



Figure 7-57 View → Cashboxes in Transfer

The following screen appears on the Monitor (**Figure 7-58**).

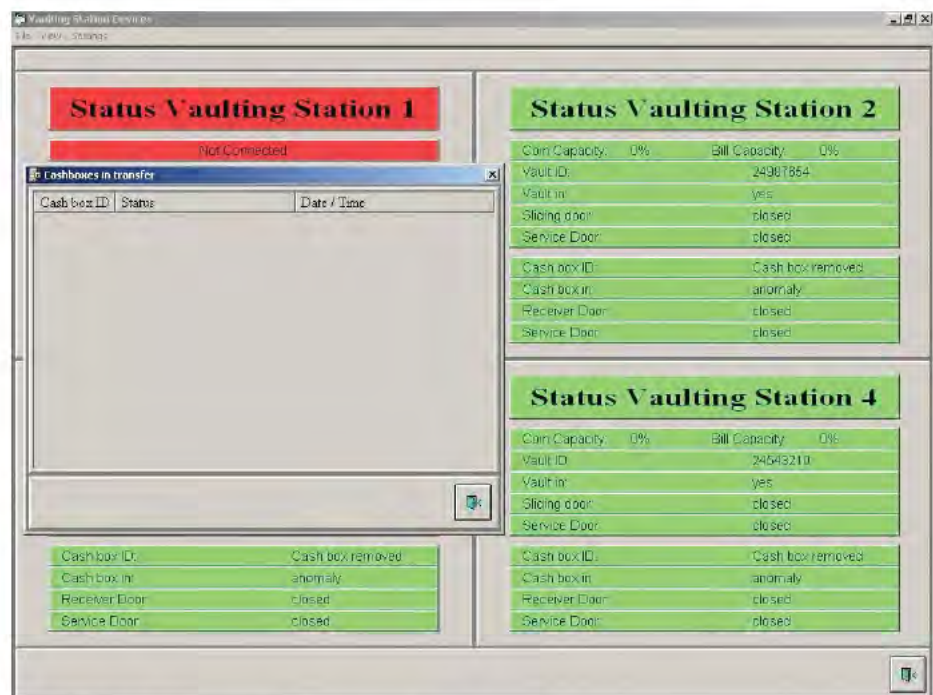


Figure 7-58 Screen of Cashboxes in Transfer

7.12 Paper roll change

- Step 1** Open the Farebox Hood.
- Step 2** The software command causes the solenoid to pull the back side flap opener down, the paper compartment cover is unlocked and opens or pull the solenoid by hand.

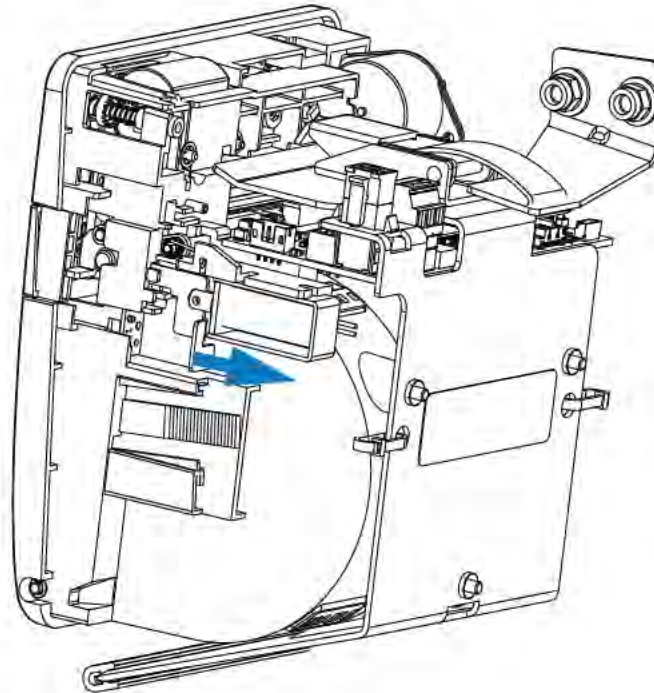


Figure 7-59 Printer Solenoid

- Step 3** Remove the old paper roll.

- Step 4** Unwind a few cm (inch) of paper from the new roll.
- Step 5** Keep the layers wound tightly when inserting the paper roll into the paper compartment. The paper outside (thermosensitive side) shows towards the printer mechanism.
- Step 6** Close the paper compartment cover by pressing evenly on the left and right side of the paper compartment cover to avoid twisting effects.
- Step 7** Make sure the paper is aligned correctly. To do this, press the FEED button (S1) to check the alignment.

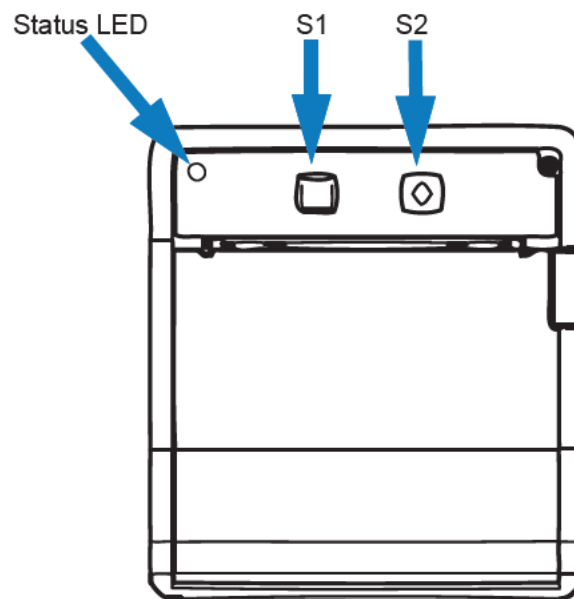


Figure 7-60

The integrated status LED indicates two printer states:

LED permanently on

- paper available and all functions are in order

LED flashing

- no paper available, case of error

Chapter 8 Preventive Maintenance

8.1 Preventive Maintenance

The following general preventive maintenance (PM) procedures are for the overall maintenance and cleaning of the Farebox. These procedures include testing and validating the equipment to ensure proper operation. Before starting a Preventive Maintenance process, notify the Network Control Administrator that alarms may be triggered.

For the following procedures, it is assumed that the proper codes have been entered into the system. To enter commands or observe the display on the OCU, leave main power ON. Before replacing any module or subsystem, shut down the Farebox.

NOTICE

Unless otherwise specified, the Farebox power must be turned "OFF" prior to performing maintenance procedures.

The tasks carried out during Preventive Maintenance and the intervals as defined in this table are the average requirements to keep any reliability figures of the device as defined by Scheidt & Bachmann. The Preventive Maintenance schedule was developed based on experience from numerous operators. The indicated intervals assume average usage in a typical transit environment. Maintenance frequency may need to be increased if the devices are subject to heavy use, harsh environmental conditions, sudden events or subject to manipulation/ vandalism. Those conditions include but are not limited to broader temperature and humidity variations, air pollution, dust, or other environmental factors, such as a construction work or high traffic density, insertion/injection or fluids and foreign objects in slots, insertion of dirty banknotes and coins.

If the recommended Preventive Maintenance tasks have both a time and a cycle interval, Preventive Maintenance needs to be performed as soon as one of the limits is reached.

Certain components, many of those being mechanical parts reach the end of their lifetime prior to the end of the life of the equipment. They will either fail or exhibit signs of significant wear and tear, at which point they will need to be replaced. Inspections during the Preventive Maintenance intervals will help to identify those parts at the appropriate time and allow to schedule their replacement. Lifecycle Maintenance and equipment overhaul programs are not part of the Preventive Maintenance documented in this chapter.

Self-locking nuts should not be re-used and must be replaced with new nuts.

8.1.1 Preventive Maintenance Schedule Summary

The following table summarizes the preventive maintenance procedures described in this section. Use this table to determine when to schedule maintenance procedures.

Component	Task	Interval / Months	Interval / Cycles
Housing, User and Operator Interfaces ^a	Visually Inspect the Exterior for damages and clean metal housing parts. Clean the exterior surface of the Patron Display, OCU Display, Barcode reader with a soft lint-free cloth.	1	--
Functional Test	Using the Device Diagnostics menu, verify all device test functions. Verify acceptance of all payment forms (coins/bills) and fare media (cards, barcodes). Verify OCU Operation	1	--
Smart Card Antenna	Verify the cable connection is secure and the cable properly seated in the hood.	1	--
Smart Card Reader	Verify the cable connection is secure and the cable properly seated. Perform functional test.	1	--
Bill Transporter ^b	Inspect for wear and tear and inspect for damages of moving parts. Cleaning of the Interior bill path.	1	40,000
Speaker	Verify that the speaker plays audio at the appropriate volume. Adjust volume as necessary.	1	--
Thermal Printer	Clean exterior and interior roll compartment. Visually Inspect the Exterior and flap for damages, perform functional test, inspect print quality.	1	--
Patron Display	Using the Device Diagnostics menu, verify brightness and test image. Inspect for areas and pixel damages that render displayed text not legible	3	--
Housing	Clean the Farebox exterior with stainless steel cleaner (except glasses, slots, buttons and painted areas).	3	--
Coin Verifier	Cleaning and Visual Inspection of the Interior coin path.	3	100,000
Bill Acceptor ^c	Cleaning and Visual Inspection of the Interior bill path.	6	60,000
Interior	Cleaning and Visual Inspection of the Interior Remove foreign materials from inside the farebox. Vacuum and clean interior surfaces. Inspect hardware for loose parts, wear and tear and inspect for damages including cables.	6	--
Operator Display	Using the Device Diagnostics menu, verify brightness and test image. Inspect for areas and pixel damages that render displayed text not legible	6	--

Table 8-1 Preventive Maintenance Schedule

Component	Task	Interval / Months	Interval / Cycles
Patron Pushbutton Assembly	Clean the exterior surface of the Patron Pushbutton Assembly. Using the Device Diagnostics menu, verify pushbutton functions of buttons used and inspect for sticky buttons.	6	--
Door Locks	Visually Inspect for damages. Verify function and fit of locked doors and parts, ensure all locks and keys operate smoothly. Verify Cashbox door operation.	6	--
Cooling Fan	Vacuum dust. Visually Inspect the fan for damages. Verify function.	12	--

Table 8-1 Preventive Maintenance Schedule

- a. A general exterior visual and functional check of essential functions should be performed by the bus operator at the beginning of the shift, each operating day prior to pull-out in accordance with bus operators standard operational procedures. A full inspection and functional test shall be performed as indicated.
- b. Recommendation represents a minimum and is based on average use with conforming currency. Maintenance frequency dependent on actual use, environmental conditions and can be impacted by sudden events (dirty currency). Operator to monitor actual equipment condition, degree of contamination and increase inspection and cleaning frequency as needed to ensure optimum performance for payment acceptance.
- c. For more details on the cleaning procedure, please refer to the documentation of the 3rd party component supplier.

8.1.2 Replaceable Modules

Table 8-2 provides a list of assemblies designed for modular replacement. All items are Field Replaceable.

Module	Part Number	Where Used
PC	03847740	Farebox
Cashbox	81323640	Farebox
Thermal Printer	03864980	Farebox
PP Assembly	03864260	Farebox
Banknote Transporter	03864250	Farebox
OCU	51813980	Farebox
User Interface Assembly	03869460	Top Cover
Coin Verifier	03852660	Top Cover
Banknote Acceptor	03864970	Top Cover

Table 8-2 Replaceable Modules

8.1.3 Replaceable Consumable

The Fuse listed in **Table 8-3** is Field Replaceable.

Item	Consumables	Where Used
Fuse 15A FK2	50 668000	Farebox 12V
Fuse 7.5A	50 666960	Farebox 24V

Table 8-3 Consumable

8.1.4 Cleaning Supplies

Table 8-4 provides a list of cleaning supplies recommended for preventive maintenance. These recommended products are not provided by Scheidt & Bachmann.

Item	Description	Where Used
Roller and Platen Cleaning Solution	non-alcohol cleaner; S&B P/N 50652990	especially rollers and platens that contact belts
Universal Cleaner	Universal Cleaner 474ml Aerosols S&B P/N 50642190 Universal Cleaner Spray Head Bottle S&B P/N 50642200	Miscellaneous Use; but NEVER anything that contacts belts or pulleys
Heavy Duty Shop Cloths	Lint-free, soft; S&B P/N 50642108	Miscellaneous Use
Lexan Cleaner	Windex (or other mild cleaner); S&B P/N 5062210	Patron Display

Table 8-4 Cleaning and Lubrication Supplies

- 8.2 Farebox PM** The following procedures include preventive maintenance schedules and procedures to the Farebox unit as a whole.
- 8.2.1 Interior PM Procedures** Follow the steps below to perform preventive maintenance cleaning of the Farebox interior.
- Step 1** Remove foreign materials from inside the Farebox.
 - Step 2** Vacuum the interior (modules and door surfaces).
 - Step 3** Inspect the mounting, installation, and seating of all the modules and submodules.
 - Step 4** Check the doors and Farebox body for loose nuts or bolts.
 - Step 5** Visually inspect the condition of cables for wear and chafing.
- 8.2.2 Exterior PM Procedures** Follow the steps below to perform preventive maintenance cleaning of the Farebox exterior.
- Step 1** Clean the Farebox exterior with stainless steel cleaner (except painted areas).
 - Step 2** Visually inspect the exterior for broken or damaged components.

⚠ CAUTION***Damage to painted surfaces***

Do not use stainless steel cleaner on painted surfaces. Damage to painted surfaces may result.

► *Use water and mild detergent .*

- 8.2.3 Housing PM Schedule** The Farebox housing should be kept clean.
- 8.2.3.1 Housing PM Procedures** Perform the following procedure for preventive maintenance and cleaning of the Farebox Housing:

 - Step 1** Clean the exterior surface of the housing with stainless steel cleaner.
 - Step 2** Unlock and open the Farebox Doors.
 - Step 3** Clean the inside surfaces using a brush (or small vacuum cleaner).
 - Step 4** Clean the interior surface of the stainless steel housing using stainless steel cleaner.
 - Step 5** Visually inspect cables for wear and chafing.
- 8.2.3.2 Cooling Fan Element** Perform the following procedure for preventive maintenance and cleaning of the Farebox Housing Cooling Fan Element:

 - Step 1** Open the Hood.
 - Step 2** Vacuum the fan with a vacuum cleaner
- 8.2.4 Smart Card Antenna PM Procedures** The manufacturer of the Smart Card Reader recommends no maintenance be performed on this device. Scheidt & Bachmann recommends the following preventive maintenance:

 - Step 1** Verify the cable connection is secure and the cable properly seated in the hood.
- 8.2.5 Patron Display PM Procedures** To perform preventive maintenance on the Patron Display, do the following:

 - Step 1** Clean the exterior surface of the Patron Display with a soft lint-free cloth and window cleaner.

NOTICE	Do not use an acid-based cleaner.
---------------	-----------------------------------

- 8.2.5.1 Pushbutton Assembly PM Procedures** Do the following for preventive maintenance on the Pushbutton Assembly:

 - Step 1** Push all buttons to check for sticking during operation.
 - Step 2** Check the Pushbutton cable connections.
 - Step 3** Check for debris, dust, lint, or any other obstruction that might hinder operation of the button.
 - Step 4** Clean the pushbuttons with lint-free cloth and alcohol.
- 8.2.6 Operator Display PM Procedures** Do the following to perform preventive maintenance on the Operator Display:

 - Step 1** Clean the exterior surface of the Operator Display with a soft lint-free cloth and window cleaner and inspect.

NOTICE	Do not use an acid-based cleaner.
---------------	-----------------------------------

- Step 2** Visually check the display glass for cracks or other damage.

- Step 3** Visually check the Display backlight. If the backlight doesn't function, replace the entire display.
- Step 4** Visually check all cable connections.
- Step 5** Clean the exterior surface of each button with lint-free cloth and alcohol.

8.2.7 Speaker PM Procedures

Perform the following procedure for preventive maintenance of the Speaker:

- Step 1** Verify that the speaker plays audio at the appropriate volume. If not, perform the following:
 - On the OCU execute Service Command **<022>**.
 - Ensure the audio speaker is set to "15."
 - If the audio speaker setting is not "15," execute Service Command **<021>**.
 - Adjust the audio speaker volume to "15."

8.2.8 Door Locking Mechanisms PM Procedures

Perform the following procedure for preventive maintenance on the Door Lock Mechanisms.

- Step 1** Ensure the doors close properly (without friction or obstruction).
- Step 2** Clean the door interiors and exteriors with a lint-free cloth and alcohol.
- Step 3** Open the doors. Use the keys for the service door.
- Step 4** Use the Open Button in the Service Menu

NOTICE

You can also open the Cashbox-housing door with Service Command **<181>**, sub-command **<00>**.

- Step 5** Ensure the mechanisms work smoothly.
- Step 6** Close the doors.
- Step 7** Place the Farebox into service.

8.2.9 Smart Card Reader/Smart Card Antenna

Perform the following procedure for preventive maintenance on the Smart Card Reader/Smart Card Antenna.

- Step 1** Verify the cable connection is secure and the cable properly seated in the hood.
- Step 2** Perform functional test.

8.2.10 Bill Transporter

Perform the following procedure for preventive maintenance on the Bill Transporter.

- Step 1** Inspect for wear and tear and inspect for damages of moving parts.
- Step 2** Cleaning of the Interior bill path.

8.2.11 Thermal Printer

Perform the following procedure for preventive maintenance on the Thermal Printer.

- Step 1** Clean exterior and interior roll compartment.

- Step 2** Visually Inspect the Exterior and flap for damages, perform functional test, inspect print quality

NOTICE

For detail information see user manual GPT-88530-E-SMAN-V1.0-1007.pdf.

8.2.12 Coin Verifier

Perform the following procedure for preventive maintenance on the Coin Verifier.

- Step 1** Shut down the Farebox.
Step 2 Unlock and open the Top Cover.
Step 3 Disconnect the cable at the Coin Verifier.
Step 4 Press the ejector down to eject the coin Coin Verifier.

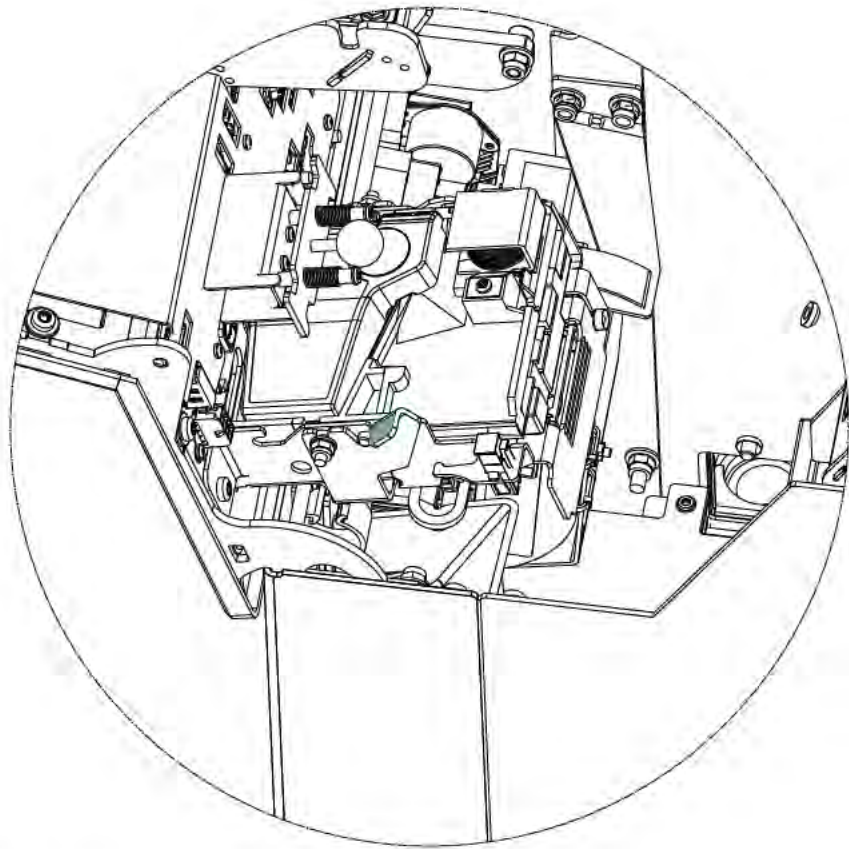


Figure 8-1

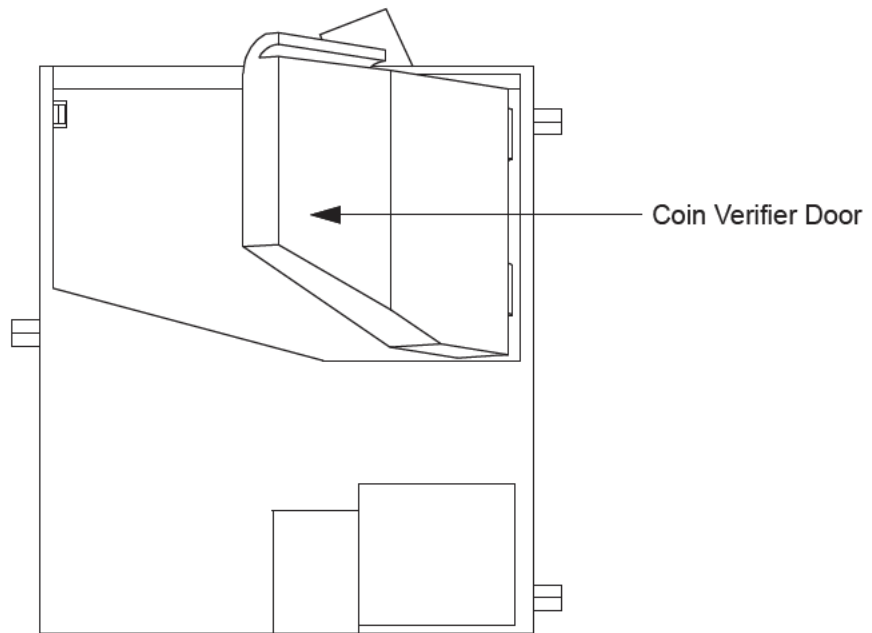


Figure 8-2 Opening the Coin Verifier

Step 5 Cleaning and Visual Inspection of the Interior coin path.

NOTICE

For detail information see user manual OM_v2colibri_ccTalk_EN_1-0.pdf.

- Step 6** Open the Coin Verifier door and remove the jammed coin(s).
- Step 7** Re-insert the Coin Verifier in secured position.
- Step 8** Connect the cable at the Coin Verifier.
- Step 9** Close and lock the Top Cover.

8.2.13 Bill Acceptor Perform the following procedure for preventive maintenance on the Bill Acceptor.

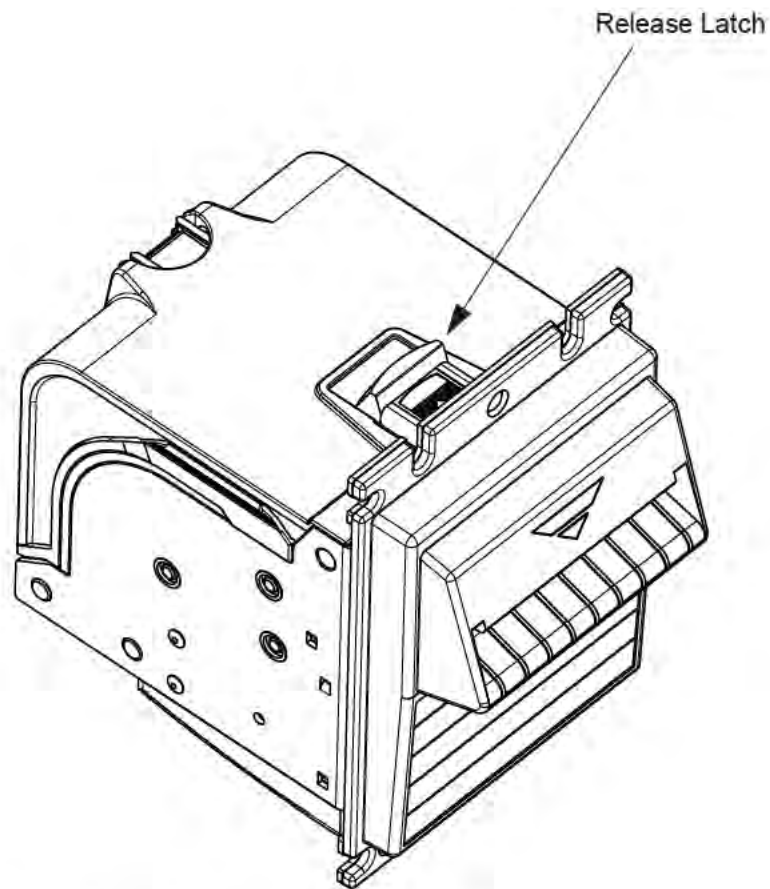


Figure 8-3 Bill Transport Mechanism

- Step 1** Open the Farebox Hood.
- Step 2** Cleaning and Visual Inspection of the Interior bill path.

NOTICE

For detail information see user manual [Stackerless BV manual.pdf](#).

- Step 3** Use the Release Latch to open the Banknote Acceptor.
- Step 4** Close the cover.
- Step 5** Close the Farebox Hood.

8.2.14 Cooling Fan Perform the following procedure for preventive maintenance on the Cooling Fan.

- Step 1** Vacuum dust.
- Step 2** Visually Inspect the fan for damages. Verify function.

8.3 Functional Test

- Step 1** Open bottom service door with key
- Step 2** Turn Power Supply toggle switch to I, the position on which the power cable is connected to.

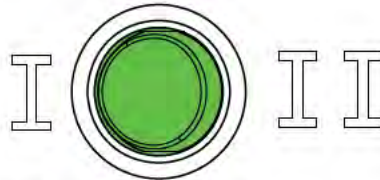


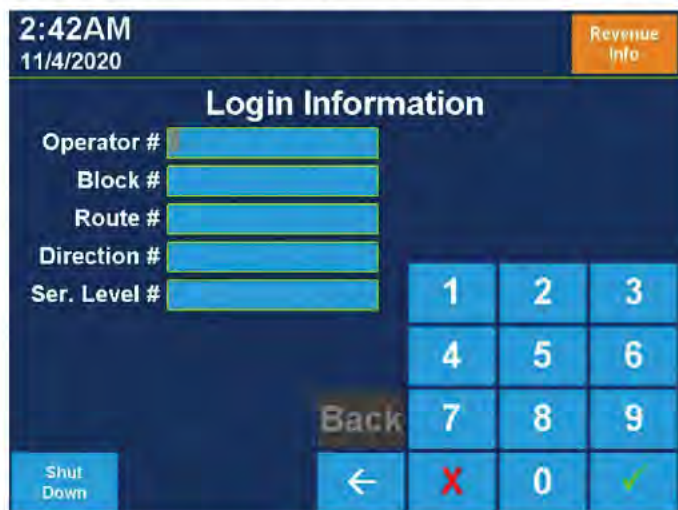
Figure 8-4 Switch off

- Step 3** Push start button on back side for 5 seconds

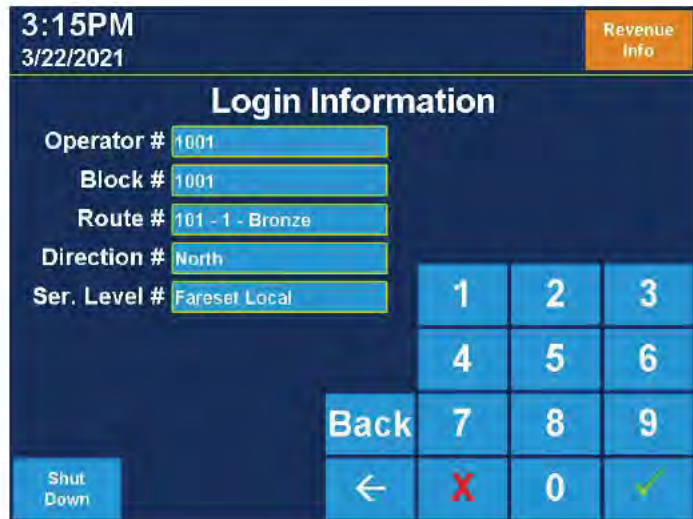
NOTICE

Some of the LEDs i.e. bill acceptor will turn on, the farebox takes approx. 2 min. to boot.

When the boot is complete, the Login screen is displayed:



- Step 4** 4. Enter Operator XXXX; confirm with check button (✓) Refer to FB30 Operation Manual Section 4.13.2 for instructions.
- Step 5** Enter Block XXX ; confirm with check button (✓)
- Step 6** Select route XXX → direction North -> local -> Service Level Fareset Local; confirm with check button (✓)

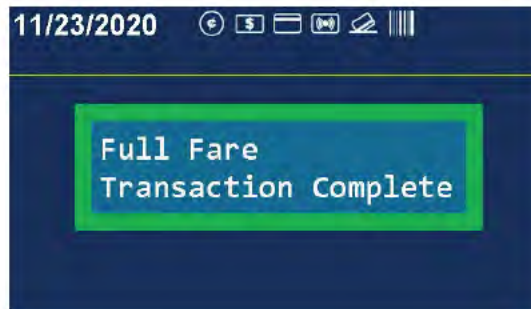


Step 7 Main Screen will open on driver display. The smaller patron display will prompt for the fare.



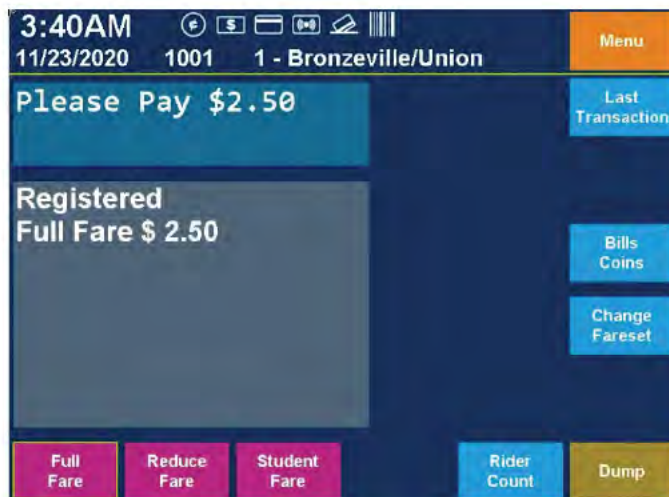
Step 8 Payments can now be made with Cash by inserting bills and coins into the slots at the User Interface.

As money is being inserted, the operator and the patron display both show status of the transaction. When the fare payment is complete, a message “Transaction Complete” will appear in the displays before returning to the IDLE screen with prompt for the next patron.



FB30 Shutdown

From the IDLE Screen, press 'Menu' and initiate the shutdown sequence via the 'Shut Down' button



8.4 Tightening Torques FB|30

All screw connections must be made without the use of copper paste.

Unless otherwise indicated on the assembly drawing or the following chapters, the following applies:

- For the combination of stainless steel screw and stainless steel nut, use Loctite blue (S&B No. 9900274) as lubricant.
- All non-self-locking screw connections must be degreased and glued with Loctite blue (S&B No. 9900274).
- Thread-cutting / thread-forming screws must be secured with locking liquid „red“ (S&B No. 99002540).
- The use of locking liquid is not required for other screw connections with torque specification.

8.4.1 Application case screw connection with welding stud

The following table summarizes the torque specifications for screw connections with welding studs. Here, the components are fastened to a 2 mm thick stainless steel sheet using galvanized nuts with a clamping part on stainless steel welding studs, or to a 3 mm thick aluminium plate on aluminium welding studs.

Installation situation	Reason for specification	M3	M4	M5	M6
For fastening on a t = 2.0 mm thick sheet	Prevent bulges and bolts tearing off	1,0 Nm 0.73 ft-lb	2,5 Nm 1.83 ft-lb	5,0 Nm 3.66 ft-lb	7,7 Nm 5.63 ft-lb
For fastening on a t = 3.0 mm thick aluminum-plate	Prevent bolts tearing off		0,9 Nm 0.66 ft-lb		

Table 8-5 Tightening torques for screw connections with welding studs

8.4.2 Application case OCU

The following table summarizes the torque specifications for fastening the OCU components. The Xenarc display is fastened to the adapter plate with the enclosed M4 screws. The hose is attached to the FareBox housing with M5 screws and to the adapter plate with M4 nuts.

Installation situation	Reason for specification	M3	M4	M5	M6
Fastening of plastic parts with sealing	Avoid destroying the seal		0,8 Nm 0,6 ft lbf	1,0 Nm 0,7 ft lbf	
Fasetning of Xenarc Display	Avoid destruction of thread in display		1,0 Nm 0,7 ft lbf		

Table 8-6 Torque specification OCU-fastening

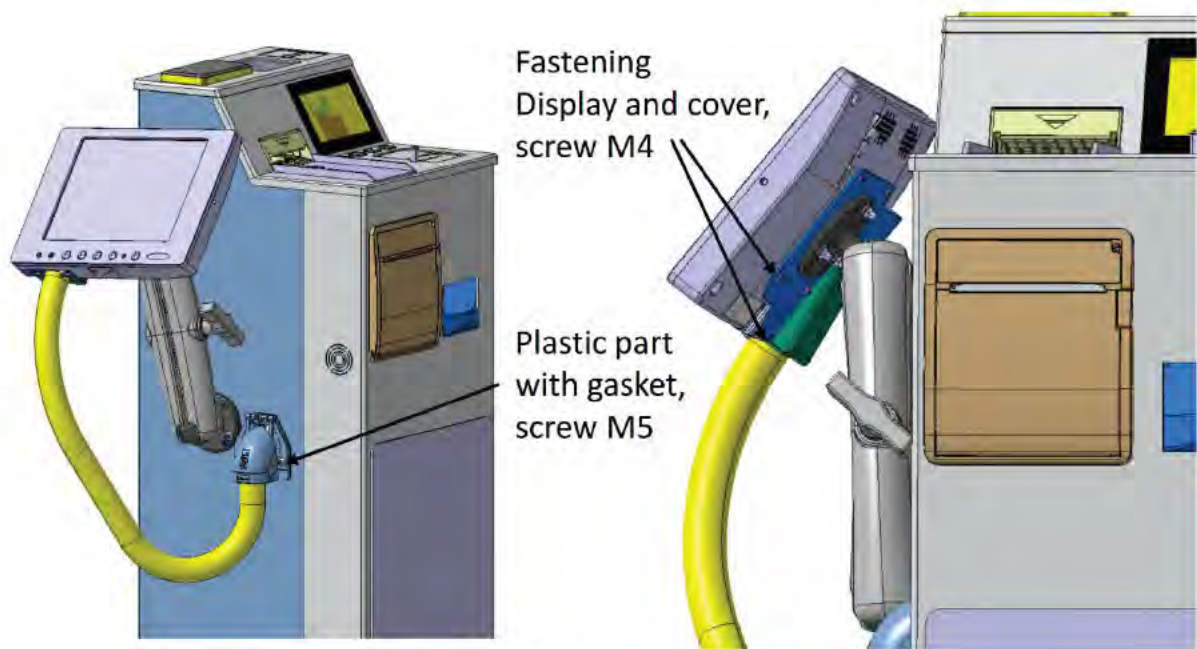


Figure 8-5 Illustration of the assembly situation

8.4.3 Application case cable fixing

The following table summarizes the torque specifications for mounting the cable fastening elements. The elements are fastened to stainless steel welding studs using galvanized nuts with clamping part.

Installation situation	Reason for specification	M3	M4	M5	M6
Fastening cable clip	Prevent bolts tearing off	1,0 Nm 0.73 ft-lb			
Fastening cable fastening socket	Avoid destroying the fastening element	0,6 Nm 0.44 ft-lb			

Table 8-7 Torque specification for cable fastening elements

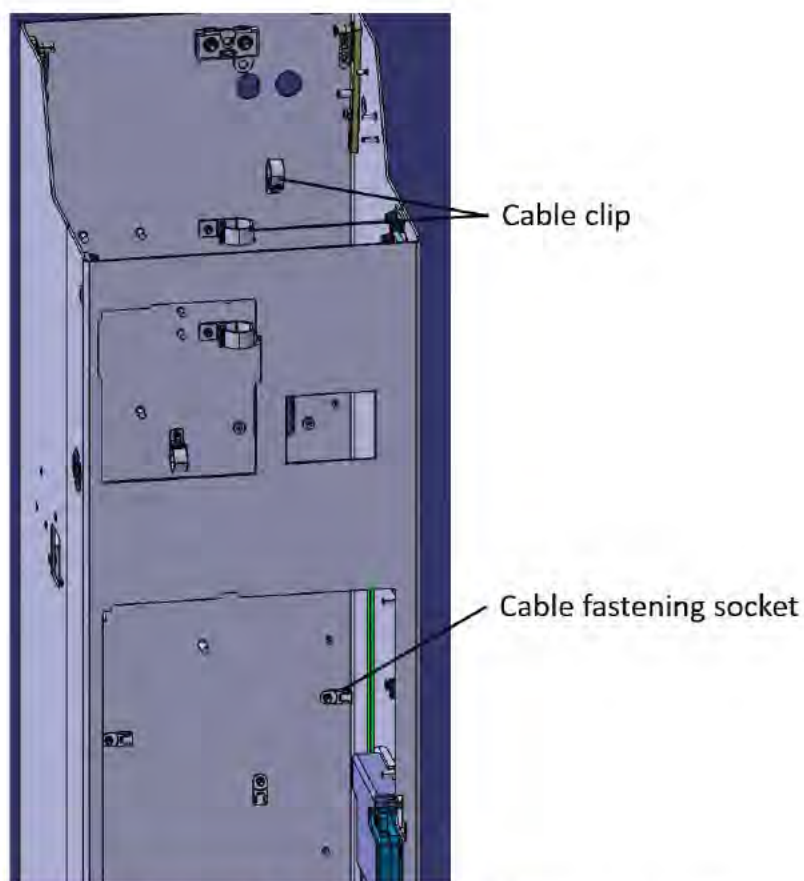


Figure 8-6 Figure 3.6.7-1: Illustration of the assembly situation

8.4.4 Application case installation of locks

The locks installed in FB30 correspond to the design shown below in Figure 8-7.

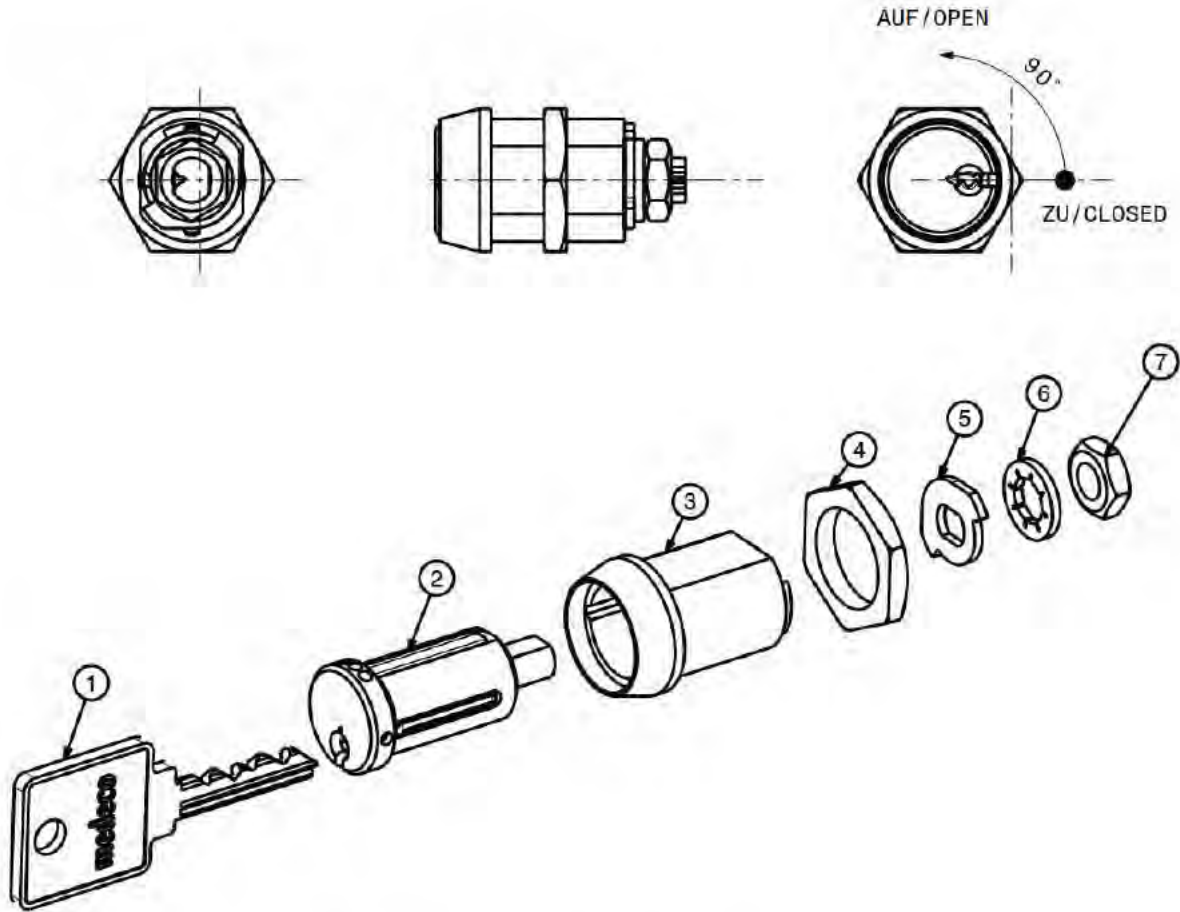


Figure 8-7 Lock basic structure FB30

These locks are supplied with a retaining ring as standard (See **Figure 8-7** Position 6). Before final assembly of the locks in FB30, these retaining rings must be removed. They must not be installed. **Figure 8-8** below shows an example of a lock in the installation position. The two nuts shown must be secured with LOCTITE BLUE (99002740) during assembly. The following torques must be applied:

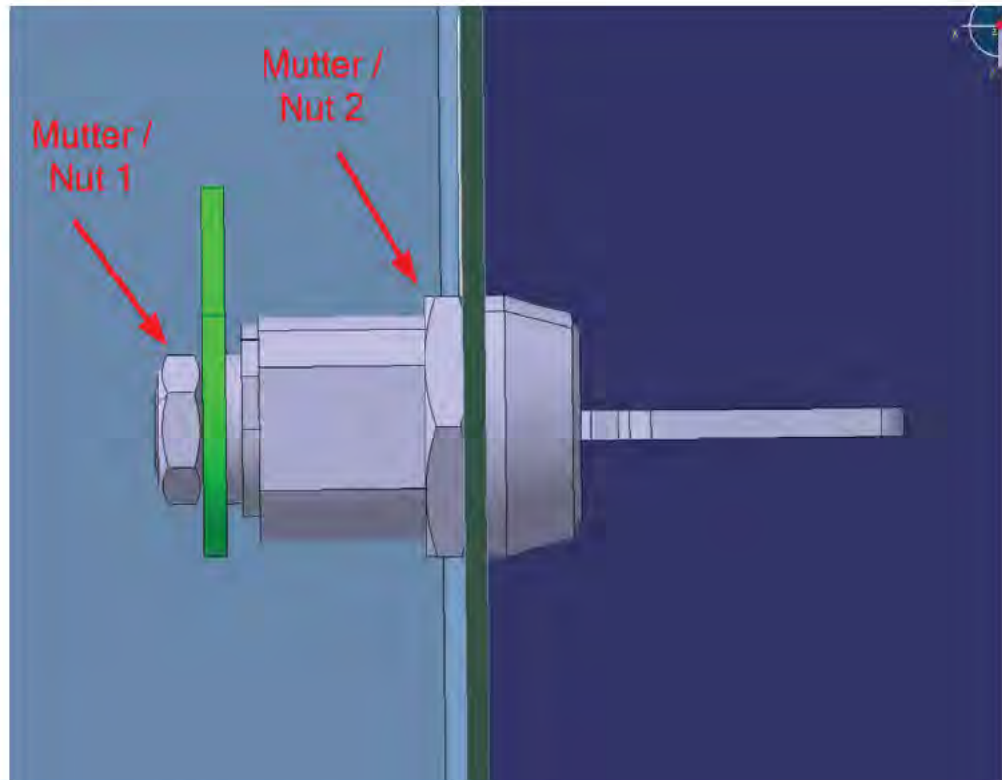


Figure 8-8 Example of mounting a lock in FB30

Nut-No.	1	2
torque	3,5 Nm 2,6 lbf ft	4 Nm 3 lbf ft

Torque specifications for lock installation

Chapter 9 Troubleshooting

One of the main objectives with the FB|30 development was to improve the diagnostics and maintenance capabilities. The FB|30 makes full use of the upgraded computer technology to support these functions and achieves improved serviceability through the addition of advanced diagnostics and testing functions that are computerized and directly integrated into the OCU Maintenance menu. The legacy 3-digit service commands that you are familiar with from the FB|40 and FB|50 farebox generation have remained, but were supplemented by new maintenance menus that will be a tremendous benefit for the service technicians.

Fast and simple maintainability has been a major focus of the FB|30 design, providing beneficial solutions for revenue activities.

The design supports on-site maintenance activities and minimizes system downtime with:

- coin jam clearing mechanisms
- a coin bypass feature
- minimum down time through fingertip maintenance and modular construction
- fast and easy
- module “swap-out / swap-in”

For component access, most of the maintainable parts are accessible after opening the hood. The lock to open the hood is placed at rear behind the farebox hood. The key can be removed after opening of the hood in the event the technician needs to service several fareboxes at the same time.

The hood is the main entry point to gain access to the components for service purposes or to clear a coin or a bill jam. The hood closes similar to a car trunk; the hood closes and locks automatically after service work is complete. There is no need to turn the lock to a specific orientation.

All electromechanical devices, the bill validator, the bill transporter and the coin validator are replaceable without tools to support an easy and fast removal of a jam or a component swap. Snap fasteners are used to secure the components vibration resistant in the correct position.

In case of damage to the hood or in case of unspecified technical issues, the entire hood can be easily exchanged. The technician simply unsnaps the hood from the farebox housing after disconnecting a few cables.

Self-locking nuts should not be re-used and must be replaced with new nuts.

9.1 System Status And Fault Indicators

The farebox features a wide range of computerized self-diagnostics. The computer recognizes events, alarms and technical errors in peripherals and logic. The computer will determine and try to maintain operational status of the farebox. For example, a technical error in the coin validator will allow the bus operator to continue to operate the farebox. Event and error codes transmit in real time to FareGo Data (cellular communication option required).

During operation, devices monitor and self-diagnose issues. The enhanced self-diagnostic capability enables the system to recognize problems such as bill traction and endeavour to remedy by expending motor run time or inform operator immediately when it cannot be self-corrected (i.e. via bill status symbol at the OCU screen).

More comprehensive automated self-diagnostic checks during startup verify all module functions. The technical solution utilizes an integrated power management solution and automated switch off/on of peripheral components

running firmware themselves, like coin validator, bill validator and smartcard reader.

The new and enhanced maintenance menu is organized by functional area as shown below. The figures shown are typical figures to demonstrate the overall capability of the farebox. They will be configured to their actual hardware configuration prior to delivery:



Figure 9-1 Figure 35 – Sample Maintenance Screens

The technician has options to test the indicator LEDs in the customer interface by directly setting controls at the OCU:



Figure 9-2 Figure 36 – Sample Indicator Test Screen

The concept allows the restart of USB drivers or power cycle peripheral parts in the farebox without power-cycling the whole farebox. For example, if the smart card reader is offline, it can directly power cycles from the OCU via a button. USB drivers under Windows can be restarted via command. The restart of a component only takes a few seconds compared to a power cycle of a complete device that can take up to 2 minutes and require several steps. Going through those quick steps can resolve a number of simple problems and significantly

reduce the time a technician needs to spend at the farebox to correct a small issue.



Figure 9-3 Figure 37 – Sample Fingertip Maintenance Screen

Sub-menus allow S&B and the region’s farebox service personnel to verify readings of all inputs, such as door switches, with buttons below the passenger display. Actuating the switches or pushing buttons will be read by the computer and instantly displayed, allowing the technician to test and verify that all the inputs and switches in the system work.



Figure 9-4 Figure 38 – Sample Fingertip Maintenance Screen

Another sub-menu supports diagnostics for bill transport and the cashbox door. These functions allow opening/closure of the cashbox door and monitor the cashbox door switches, making adjustments and testing much easier after performing a parts replacement or repair. The technician can verify individual parts without having to apply the entire functional process. The system also enables security levels to be configured for access to the cashbox door and will be discussed in the design phase during migration of the software.

The FB|30 also supports a test function to start and run the bill transport: the technician can simply push a button on the OCU and visually check start/stop of the bill transport motor inside the farebox. The device will also include a future function to test acceptance and validation of a bill, displaying the results and returning it, instead of advancing to the cashbox. Each of these test functions allows testing without the need to process bills and emptying cashboxes in the CRS after such test and repair.



Figure 9-5 Figure 39 – Sample Bill Validator Maintenance Screen

Some other diagnostic functions, as supported by the hardware configuration, have been added as well, such as readings of temperature sensors in the PC.



Figure 9-6 Figure 40 – Sample Temperature Sensor Screen

Developing the above test and diagnostic capabilities, it seemed logical to make them available to all users of the farebox, depending on their job function. Some of the functions have been added into the menus for the bus operators that now have access to a number of diagnostic functions, including test routines for specific functions and small interventions for resetting individual modules or software drivers where automatic routines have not succeeded. All these features support minimization of the number of road calls and allow operators to intervene

and restore operations in case of smaller items that can be easily corrected. These field proven features have been in use in part in our FB|50 product line and have been enhanced in the FB|30 product. **Figure 9-7** depicts screens showing diagnostic function features.

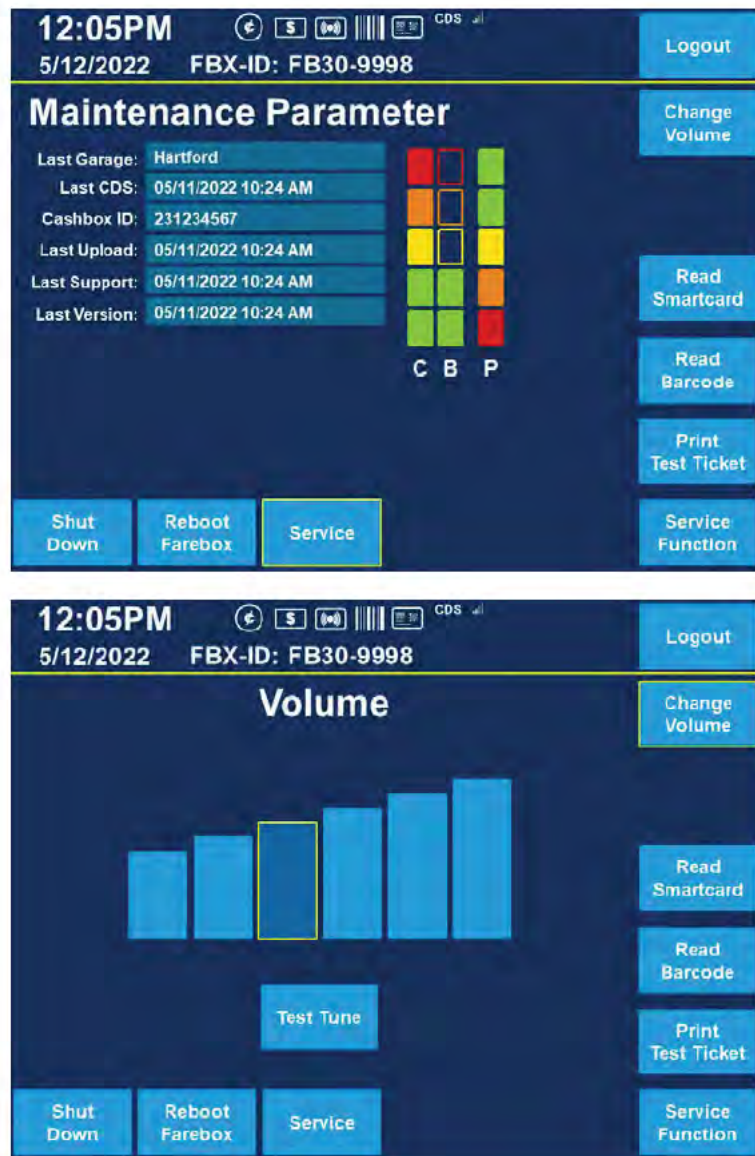




Figure 9-7 Sample Driver OCU Functions, providing convenient access to the relevant menus for the driver

9.2 First Line Maintenance

The following first line maintenance procedures apply to the Farebox.

9.2.1 Fingertip Service

Fingertip maintenance is defined as service procedures, other than replacement of consumable items, that do not require the use of any tools.

In the Farebox system, the User Interfaces require the following fingertip maintenance:

Action	Materials Required
Clean the glass on the Patron Display	<ul style="list-style-type: none"> • Glass cleaner • Lint-free cloth
Clean the screen and the keys on the OCU	<ul style="list-style-type: none"> • Lint-free cloth

Table 9-1 User Interfaces Fingertip Maintenance

9.3 Troubleshooting Overview

This section provides troubleshooting error/fault analyses and references to related corrective maintenance procedures.

The User Interfaces contain the following modules:

- OCU
- Patron Display

Troubleshooting the User Interfaces can be isolated to any of the above.

9.4 Error Identification and Analysis

When an problem occurs in the User Interfaces, an indication of the error may appear on:

- **The OCU**
- **The Technical Error Report** is another place to examine error messages. To create a Technical Error Report, use Service Command **<034>** . The bottom line of the report contains the most recent error.
- **The Event Report** is another place to find information. The bottom line of the report contains the most recent event. The Event Report can be printed using Service Command **<044>**. The Event Report identifies the assembly and subassembly where each event originated.

Error identification codes are associated with subsystems and devices, depending on whether event codes are presented on the OCU or printed in the technical error report (also called the error log) or in the event report.

Indications of problems in the user interfaces can also be in the form of a faulty or inoperative display. This can result in no ability to observe messages that would normally be displayed. This can also result in no ability to enter service commands, thereby preventing the creation of event reports.

9.5 Event Codes

In event codes and error messages, hexadecimal codes appear that indicate specific actions or conditions. Service commands **<034>** and **<044>** will generate lists of these codes that have been produced by the system.

A complete list of event codes with explanations to assist in troubleshooting is available in the AFC Universal Service Commands & Event Code Field Reference.

Group	System	Type Of Event
B100-B179	All Systems (Money, Door, Electronic Control Unit, Electrical & Environmental)	General Events
B1E9-B1FF		General Events
BB50-BB5F		Smart Card System Event Codes
BC15-BCFF	Electronic Control Unit	Main Computer Event Codes
B600-B6FF		Application Event Codes
BC00-BC14		Memory Access Event Codes

Table 9-2 General Events from Computer

Event codes include error messages as a sub-category. All error messages are event codes, but not all event codes are error messages.

9.6 Spare Parts

Mat.No.	Description	Used in	Finger-tip
03 87125 0	FB30-HOUSING PREASSEMBLY W/OPRINTER	Housing	
03 86946 0	HOOD FB30	Hood	X
03 86497 0	BILL VALIDATOR MOUNTED FB30	Bill Handling	X
03 87712 0	ECV V2 COLIBRI CCTALK USD/USD TOP - FB	Coin System	X
03 86479 0	CABLE PHR-4 TO 43025-0400 90MM	Cables	
03 85742 0	BILL TRANSPORTER FB30	Bill Handling	X
81 32450 0	CASHBOX 1.6 CPL. (VM/RPTA)	Coin System	X
03 88172 0	COMPUTER UNIT BASE (WITH WLAN) FB30 V2	Computer	X
07 34589 0	SW-STORAGE FB30 US AL-E39XX (incl. SATA-DOM 64GB)	Computer	X
51 81287 0	SATA-DOM DESSL-08GM41BW1SCA-Q02S NTFS	Computer	X
03 88210 0	CABLE CONNECTION PCB - BASEBOARD	Cables	
03 86481 0	CABLE 2X 43025-0800 1100MM	Cables	
03 86426 0	POWER SUPPLY FB30	Power Supply	X
50 68011 0	HDMI CABLE 1M ANGLED	Cables	
50 65585 0	LOUDSPEAKER K 50SQ 8 OHM POWER RATING: 2	Speaker	
03 87829 0	KIT OCU FAREBOX XENARC 802TSH FB30 Adjusted	OCU	
03 86790 0	CONC-OCU / DC-PLUG 1150MM	OCU	
50 68062 0	CABLE USB/HDMI TO 26P-MDR 1M	Cables	
51 81618 0	RAM MOUNT RAM-101U-D	OCU	X
50 83814 0	CONDUIT FLEXIBLE EWT-PAB M25/P21	OCU	
03 85777 0	ADAPTOR PLATE OCU CPL.	OCU	
51 80438 0	FLANGE ANGLE CONFIX FWS-B-bk	OCU	
03 84663 0	CB CONNECTION PCB FB30 WITH ANTENNA	PCB	
50 67714 0	ELECTROMECHANICAL ROTARY-LOCK R4-EM-9	Lock	
86 29580 0	CYL.LOCK TOPLID (03504020) (PD) MEDECO	Lock	
81 32421 0	KEY (PD/PE/PF) (03504020) (MASTER) MEDEC	Key	X
81 32376 0	CYL.LOCK SBC1 DOOR (03504020) (PE)	Lock	
86 29583 0	KEY (03504020) (PE) MEDECO	Key	X

Table 9-3 Spare Parts

Mat.No.	Description	Used in	Finger-tip
81 32460 0	CYL.LOCK DOORLOCK (03504020) (PDR)	Lock	X
81 32461 0	KEY (03504020) (PDR) MEDECO	Key	X
03 83444 0	COIN INSERT	Coin System	
03 86380 0	COIN RETURN TRAY FB30	Coin System	
03 86938 0	KIT-COIN RETURN TRAY FB30	Coin System	
50 61584 0	SWITCH (REED-MAGNET) 57145-000 HAMLIN	Housing	
03 45798 0	SWITCH (REED-CONTACT) WITH CONNECTOR 2 PIN	Housing	
50 83733 0	CAST CLOSING BRACKET WITH DOOR SENSOR	Housing	
50 64791 0	PUSH BUTTON(VANDALPROOF) MSM19 ST 5A 125	Housing	
03 86474 0	FAN 50642920 WITH PHR-2 200MM	Housing	
03 86480 0	LED 50626400 WITH PHR-2 170MM	Housing	
03 71730 0	CB J1708 INTERFACE	PCB	X
50 83724 0	OVER CENTRE DRAW LATCH 97-50-210-11	Housing	
03 83749 0	COIN CHANNEL	Coin System	X
03 84794 0	CB BYPASS FB30	Connection Board	
03 87104 0	DISPLAY W. ADAPTER PCB FB30	Customer Display	
03 87145 0	SC ANTENNA FB30 SURFACE MOUNT CPL	Smart Card Antenna	
03 57801 0	COAX-CABLE RG316/U 2*MCX (50E) 250MM LON	Cables	
03 87051 0	COVER PLATE WITH SEAL	Housing	
03 85769 0	BLIND PLATE FOR FB CPL.	Antenna	
50 83796 0	SEAL FOR FWS - A25 UND B21	Housing	
03 86479 0	CABLE PHR-4 TO 43025-0400 90MM	Cables	
03 86482 0	CABLE 2X 43025-1400 280MM	Cables	
03 86473 0	CABLE 2X PHR-6 150MM	Cables	
05 18416 0	TENSION SPRING	Spring	

Table 9-3 Spare Parts

9.7 Functional Test

- Step 1** Open bottom service door with key
- Step 2** Turn Power Supply toggle switch to I, the position on which the power cable is connected to.

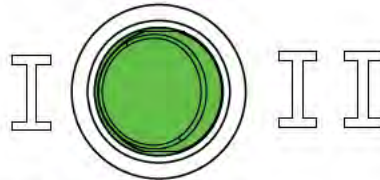


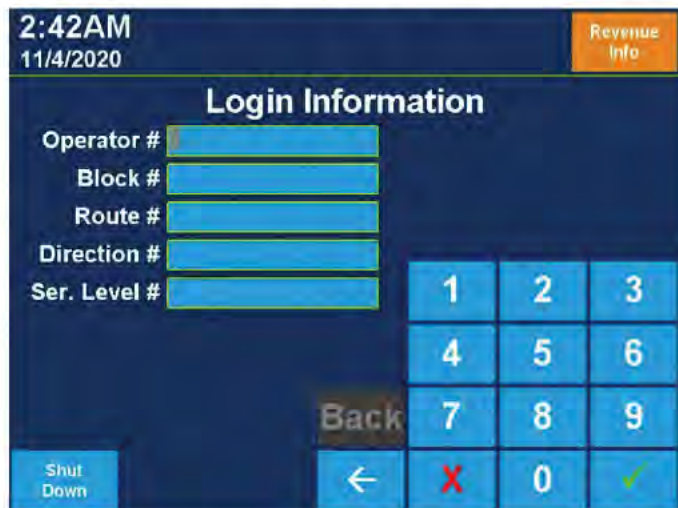
Figure 9-8 Switch off

- Step 3** Push start button on back side for 5 seconds

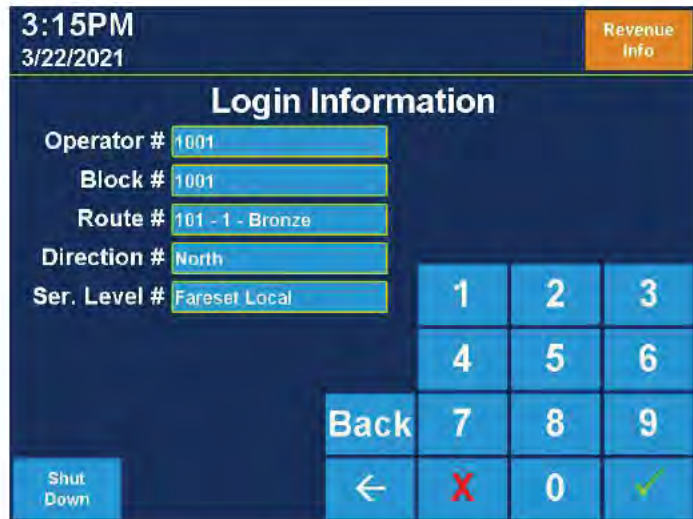
NOTICE

Some of the LEDs i.e. bill acceptor will turn on, the farebox takes approx..2 min. to boot.

When the boot is complete, the Login screen is displayed:



- Step 4** 4. Enter Operator XXXX; confirm with check button (✓) Refer to FB30 Service Manual Section 4.13.2 for instructions.
- Step 5** Enter Block XXX ; confirm with check button (✓)
- Step 6** Select route XXX → direction North -> local -> Service Level Fareset Local; confirm with check button (✓)

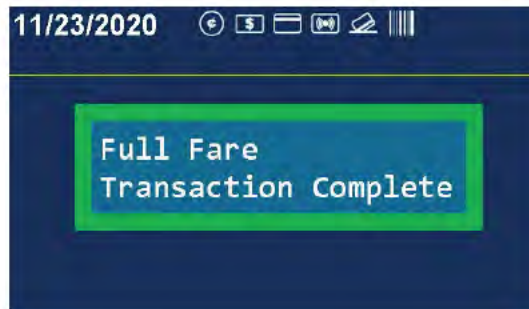


Step 7 Main Screen will open on driver display. The smaller patron display will prompt for the fare.



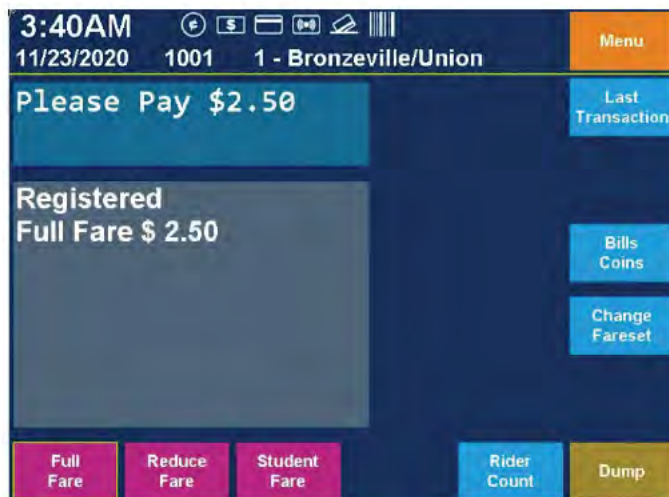
Step 8 Payments can now be made with Cash by inserting bills and coins into the slots at the User Interface.

As money is being inserted, the operator and the patron display both show status of the transaction. When the fare payment is complete, a message “Transaction Complete” will appear in the displays before returning to the IDLE screen with prompt for the next patron.



FB30 Shutdown

From the IDLE Screen, press 'Menu' and initiate the shutdown sequence via the 'Shut Down' button



- 9.8 Test Procedure** The Test Procedure is a way of identifying potential problem sources.
- ✓ Check status of power, availability of functions, and consumables.
 - ✓ Check for any error message from the operating system (OS) on OCU screen.

- Step 1** Inspect the farebox for physical damage.
- Step 2** Check the wiring (see wiring diagram 0386914).
Check main switch (position I).

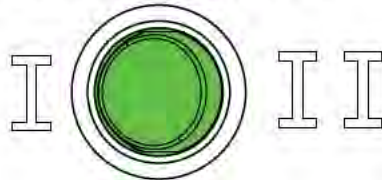


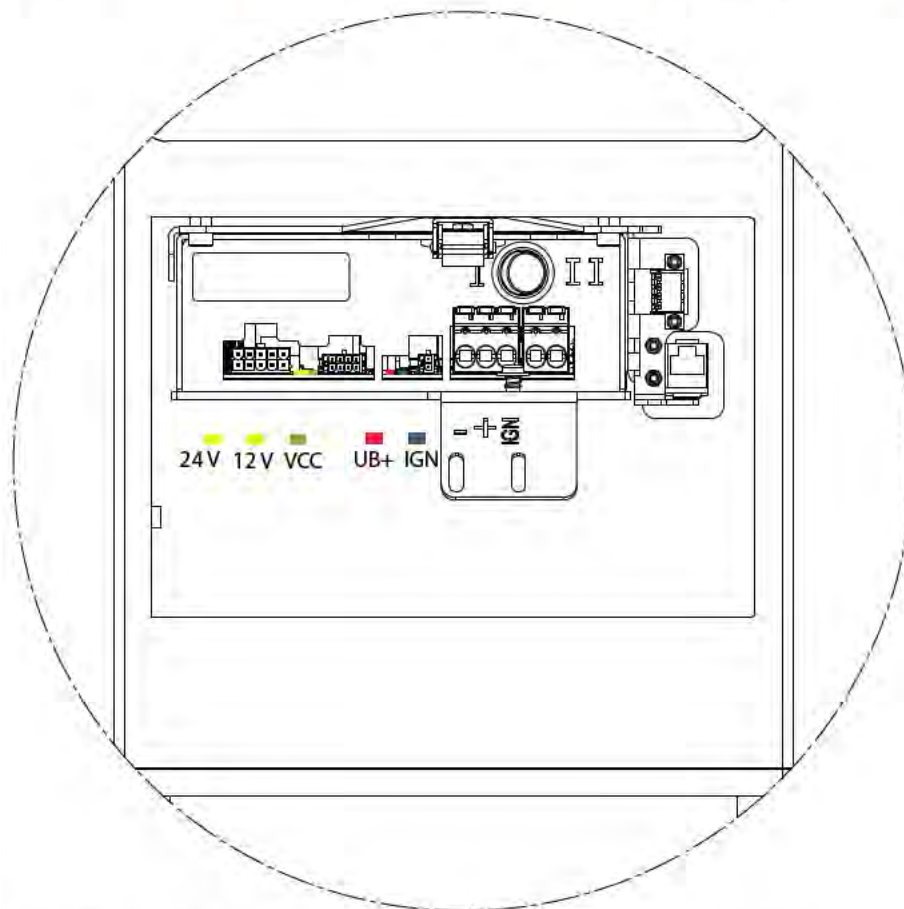
Figure 9-9 Switch on

- Step 3** Push start button on back side for 5 seconds

NOTICE

Some of the LEDs i.e. bill acceptor will turn on, the farebox takes approx..2 min. to boot.

- Step 4**
- Step 5** Push the start button and check the power LED (UB+) at the power unit.



- Step 6** If the LED didn't illuminate check as describe in chapter 9.9.1.
- Step 7** Boot the farebox to a fully functional state.
- Step 8** If the farebox didn't boot check as describe in chapter 9.9.1.

Step 9 Log on as a service agent.

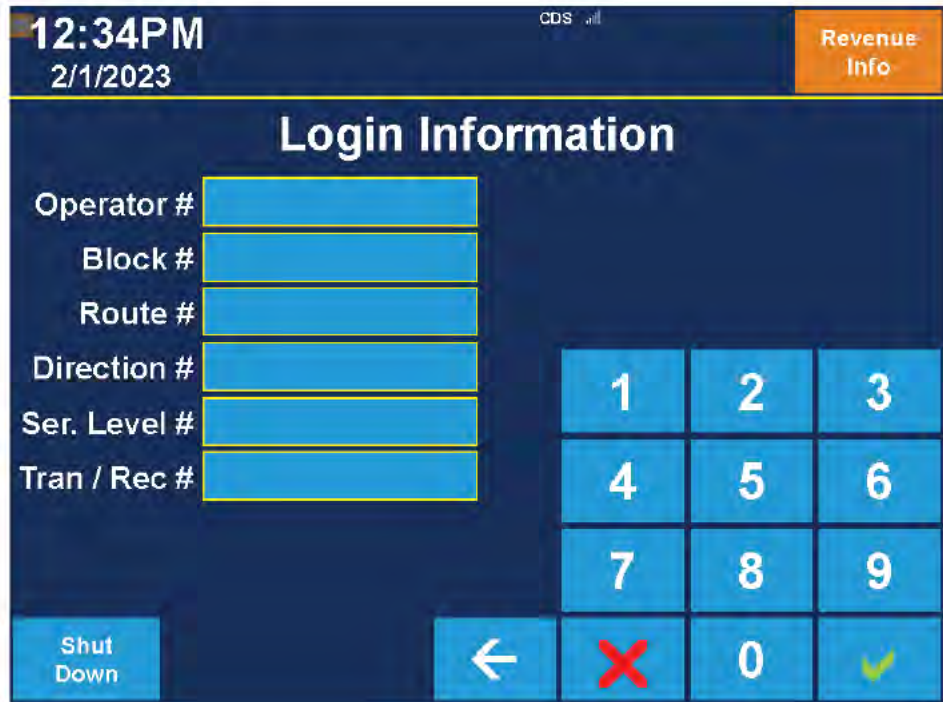


Figure 9-10 Login screen

The Maintenance screen appears.

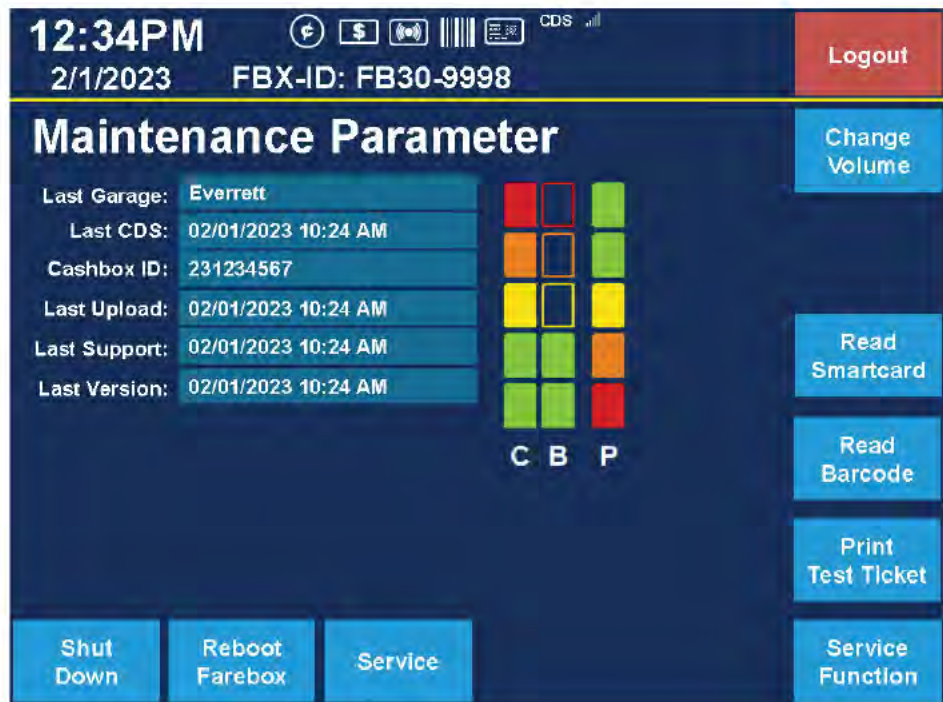


Figure 9-11 Screen-Maintenance-Parameter

The top of the maintenance screen shows the assemblies status.



Figure 9-12 Screen-Maintenance-Parameter-Status

The top of the maintenance screen shows the assemblies status.













Assemblies	Status: OK	Status: NOK
Coin system		
Banknote system		
Smartcard reader (probing)		
Barcode reader (optional)		
Printer (Variant)		
Connection Status		

Table 9-4 Assemblies Status



Figure 9-13 Cash and Paper Level

C Coins	B Banknotes	P Tickets (optional)
red coin vault full	red banknote vault full	red ticket roll empty full
yellow coin vault nearly full	yellow banknote vault nearly full	yellow ticket nearly empty
green coin filling	green banknote filling	green ticket roll full
blank coin vault empty	blank banknote vault empty	

Table 9-5 Cash and Paper Level

Step 10 Select "Change Volume" and test the volume "Test Tune".

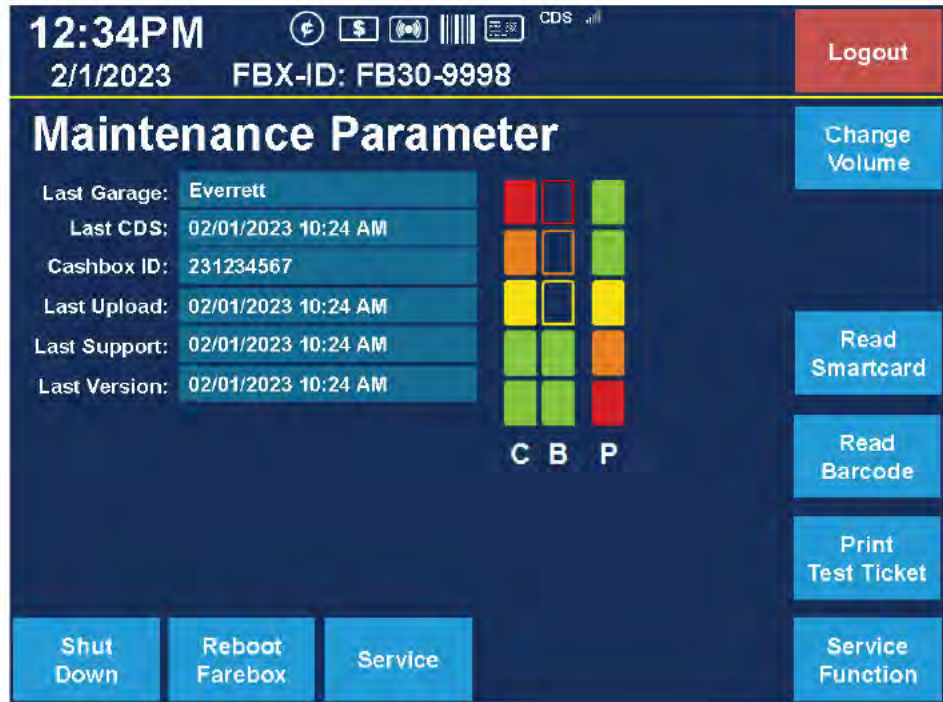


Figure 9-14 Screen-Maintenance-Parameter

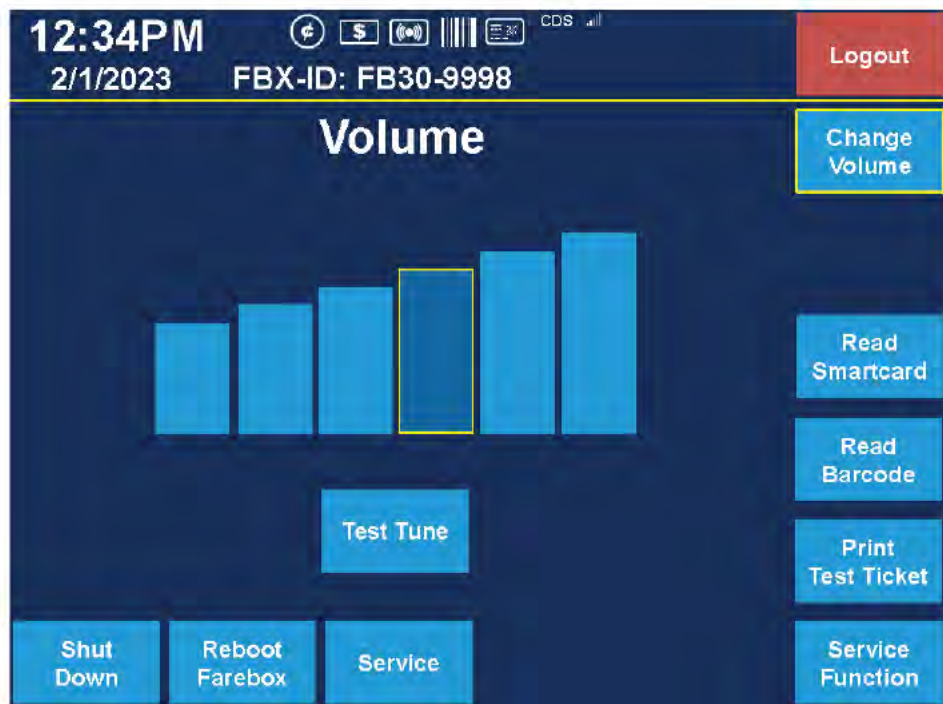


Figure 9-15 Volume

- Step 11 Set the volume to the desired value.
- Step 12 Select "Read Smartcard".

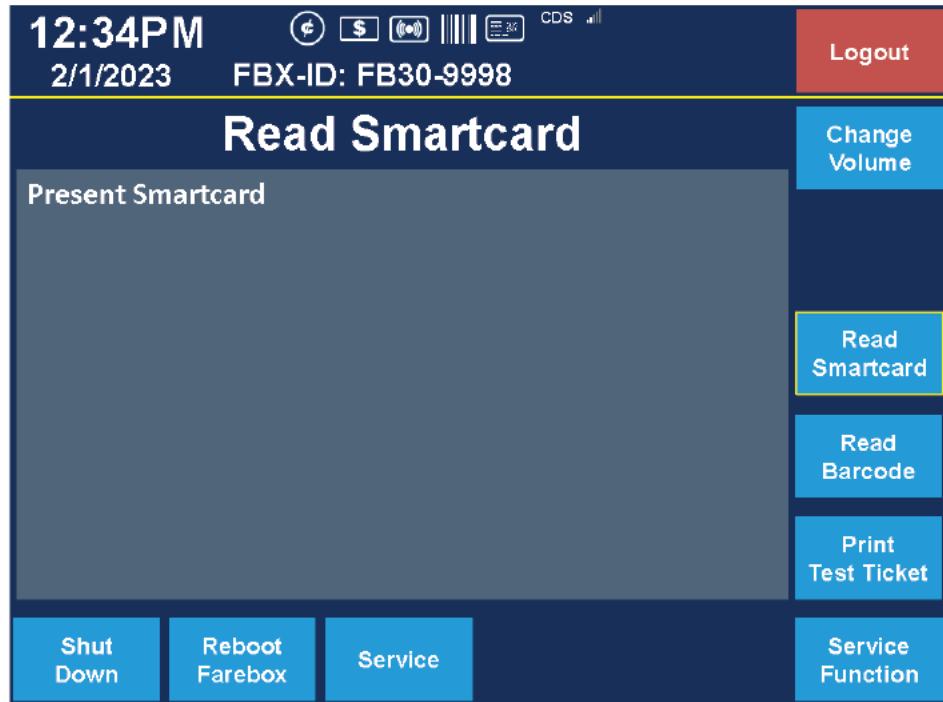


Figure 9-16 Read Smartcard

- Step 13 Tap a smartcard on the target.
- Step 14 Check the information.

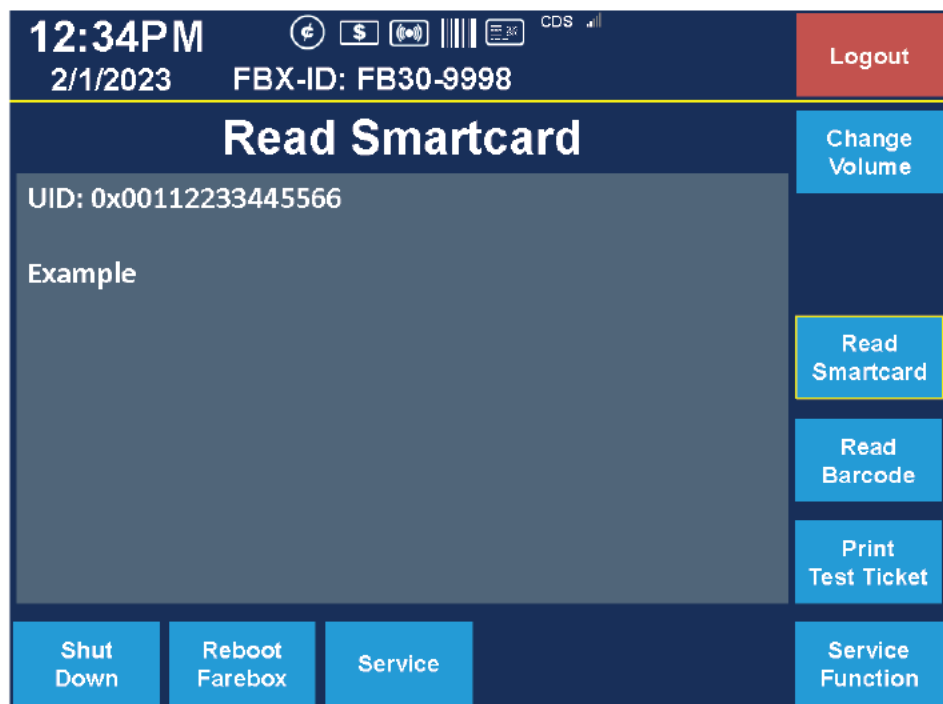


Figure 9-17 Read Smartcard

- Step 15 Select "Read Barcode".

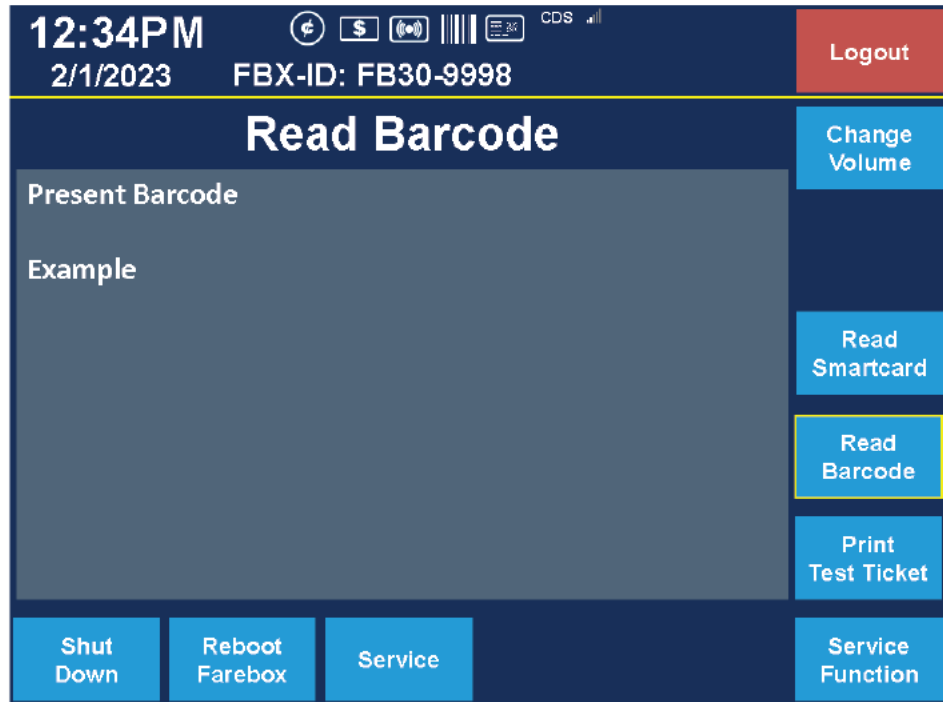


Figure 9-18 Read Barcode

- Step 16 Scan a barcode.
- Step 17 Check the Information.

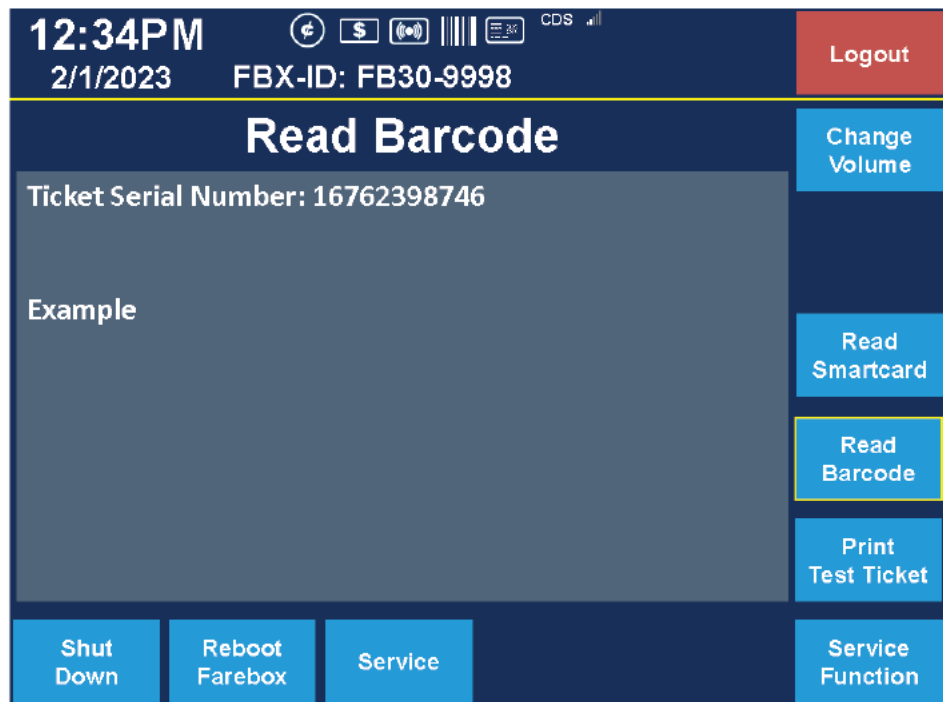


Figure 9-19 Read Barcode

- Step 18 Select "Print Test Ticket".
- Step 19 Check the printed test ticket

Step 20 Select "Service Function".

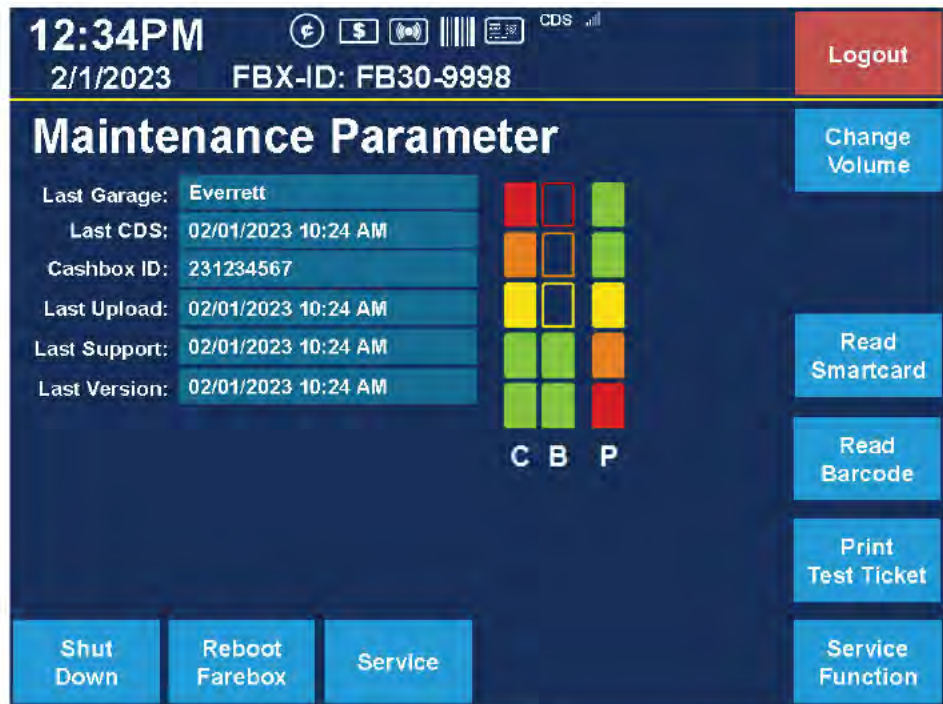


Figure 9-20 Screen-Maintenance-Parameter



Figure 9-21 ServiceFunction

Step 21 Select BNA System to test the banknote system.

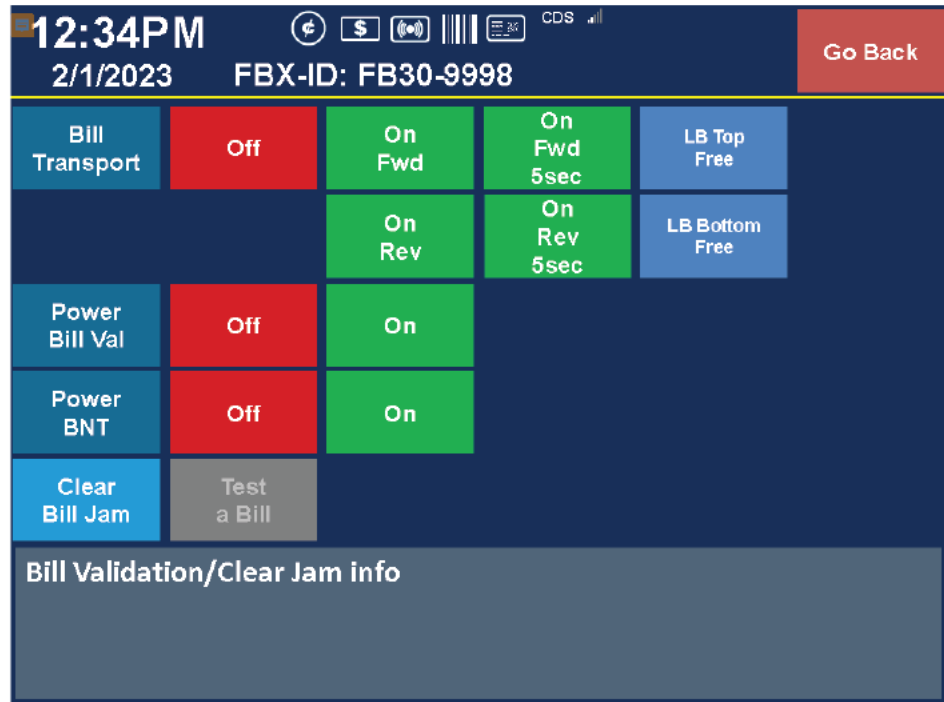


Figure 9-22 BNA System

- Step 22** Check the Bill Transport.
- Step 23** Open the hood.
- Step 24** Insert a banknote into the Bill Transport.
- Step 25** Use the “On Fwd” button to transport the banknote and stop with “Off” Button.
- Step 26** The LB Top Sensor goes from Free to Blocked and to Free.
- Step 27** Use the “On Fwd” button to transport the banknote and stop with “Off” Button.
- Step 28** The LB Bottom Sensor goes from Free to Blocked and to Free.
- Step 29** Check the banknote validator with power on and off (Power Bill Val). The LED off the Banknote validator goes off and on.
- Step 30** Use the “Clear Bill Jam Button” if a bill jam occurs and check the LB Top and LB Bottom (Free not Blocked).
- Step 31** Select Coin System to test the coin system.

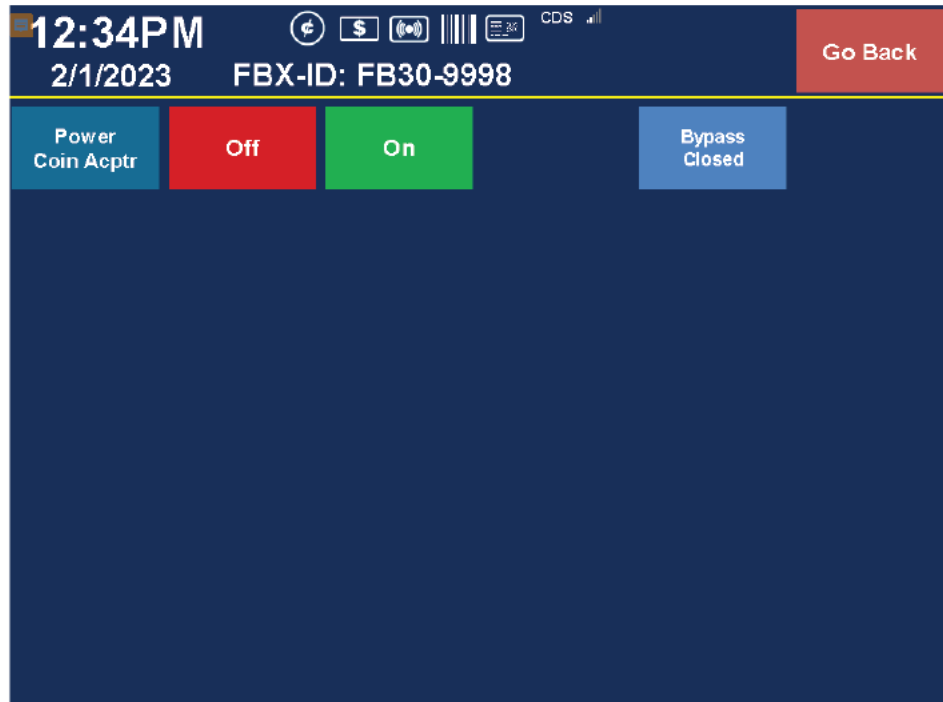


Figure 9-23 Coin System

Step 32 Open and close the bypass. The state of the sensor will be show.

Step 33 Select Printer Unit to test the printer (optional).

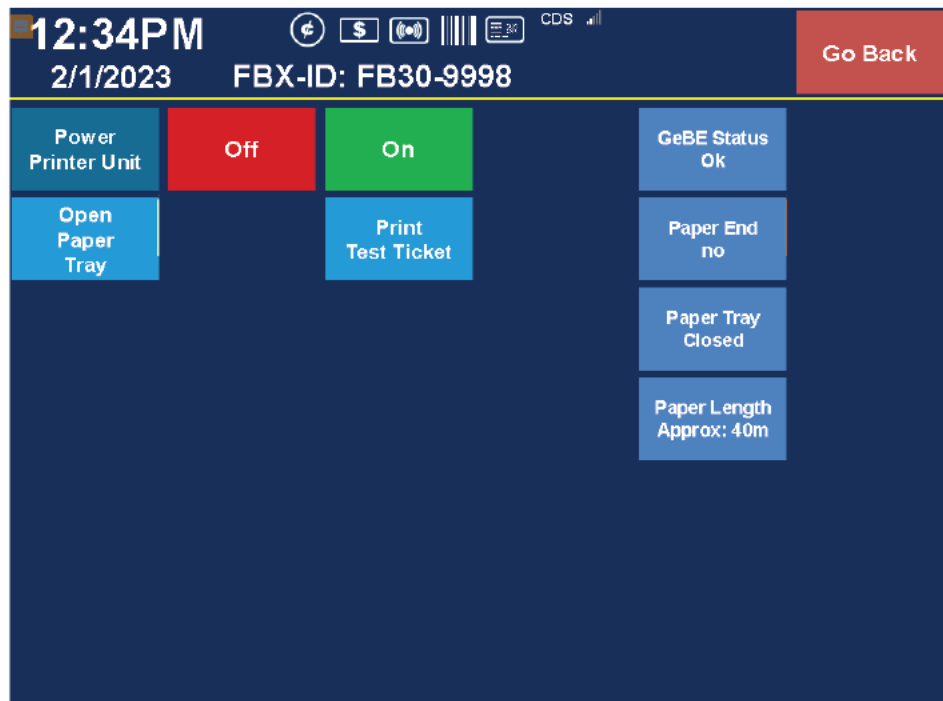


Figure 9-24 Printer Unit

Step 34 Check the status

Step 35 Open the paper tray and insert paper

Step 36 Print a test ticket and check the printout.

Step 37 Select Barcode Unit to test the barcode reader (optional).

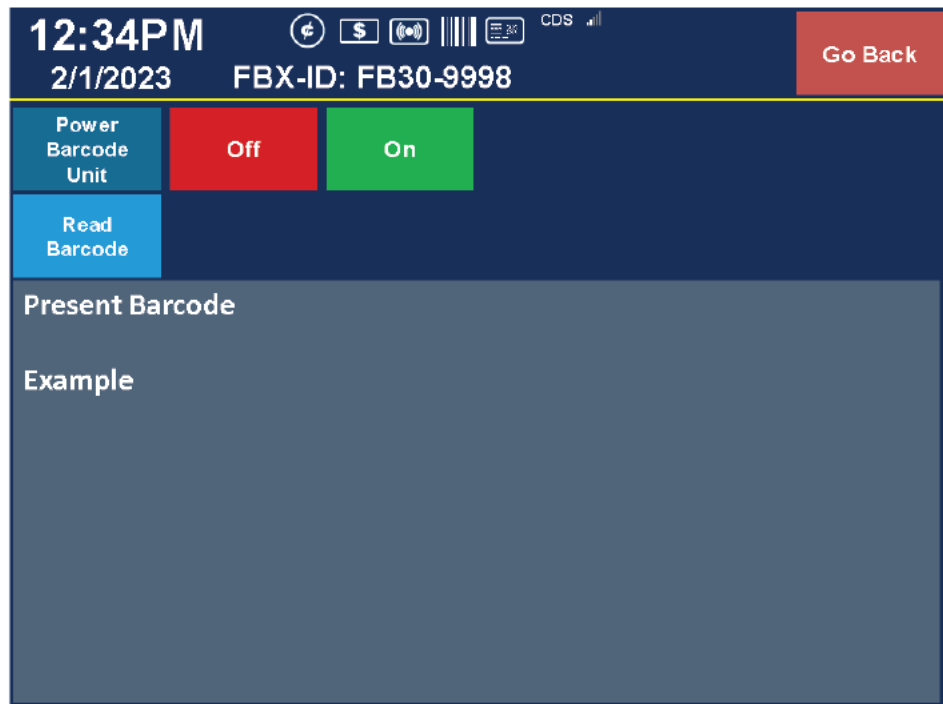


Figure 9-25 Barcode Unit

Step 38 Select Read Barcode.

Step 39 Use a barcode at the barcode reader.

Step 40 Check the information.

Step 41 Select Smartcard Unit to test the smartcard reader.

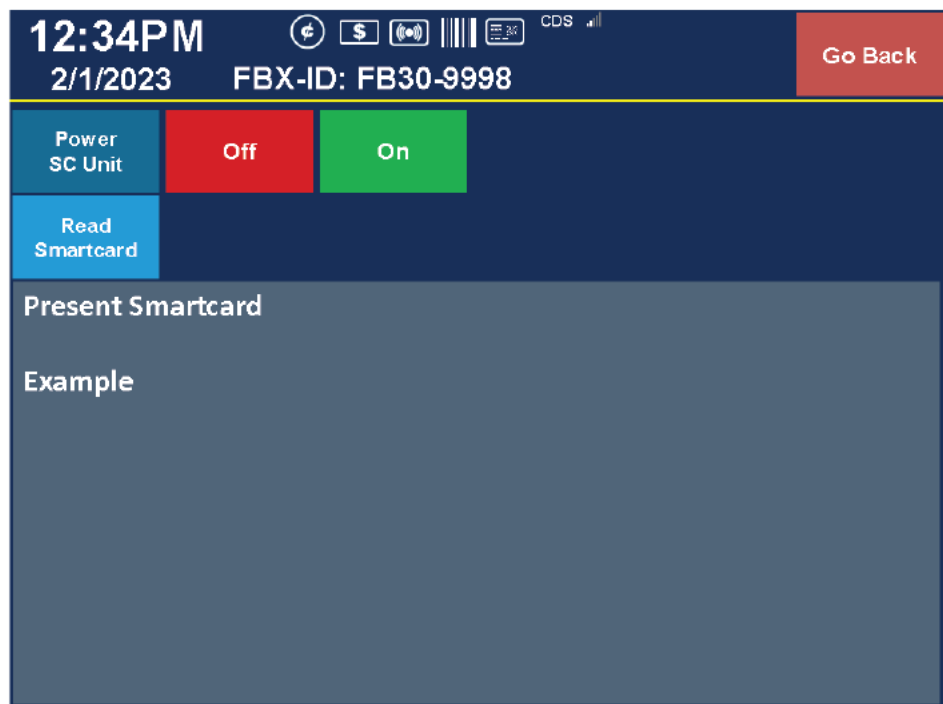


Figure 9-26 Smartcard Unit

Step 42 Select Read Smartcard.

- Step 43** Use a smartcard at the smartcard reader.
- Step 44** Check the information.

- Step 45** Select Customer Display to Check and set the display brightness of the customer display.

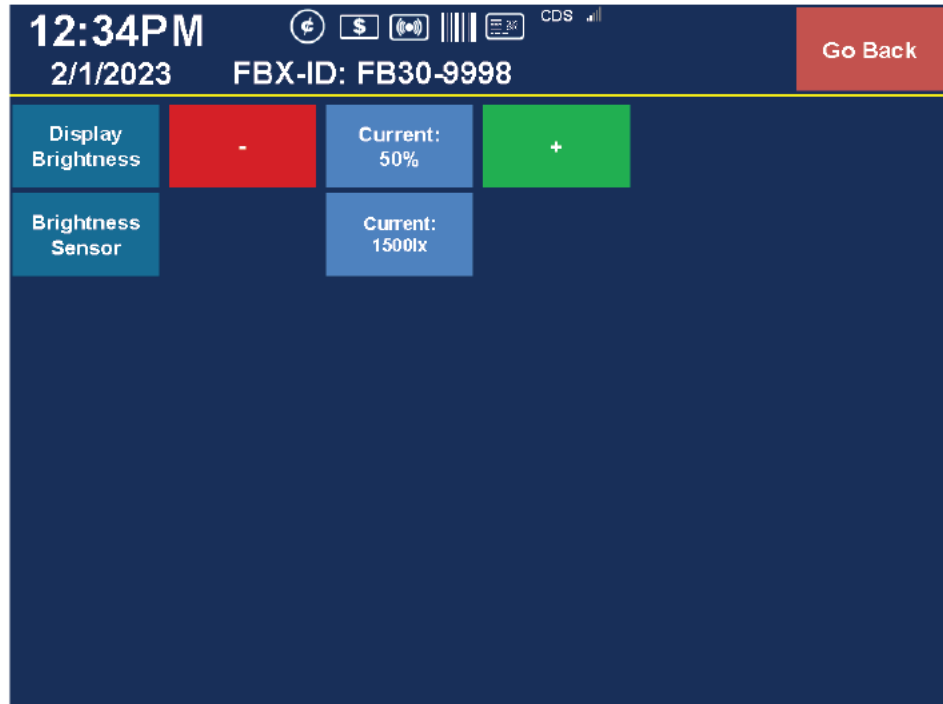


Figure 9-27 Customer Display

- Step 46** Set the display brightness of the customer display.
- Step 47** Check the brightness sensor (information)

- Step 48** Select LED to check the LED's.

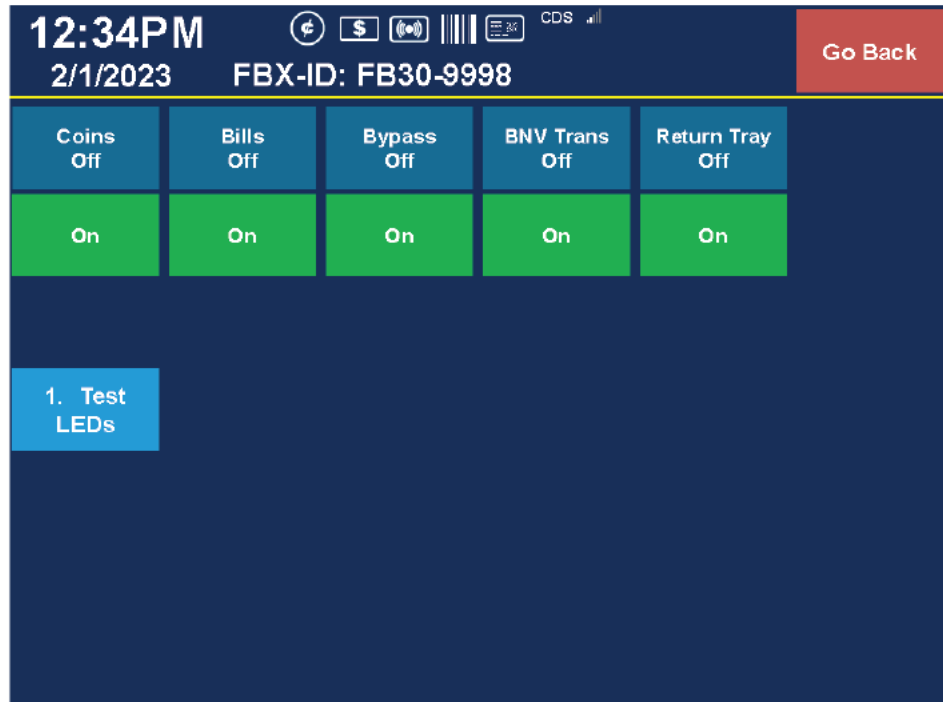


Figure 9-28 LED

- Step 49 Check each LED or start “1. Test LEDs” to check the LEDs by one click.
- Step 50 Open the hood to check the BNV Trans LED.
- Step 51 Select Power to switch on and off the power of the assemblies.

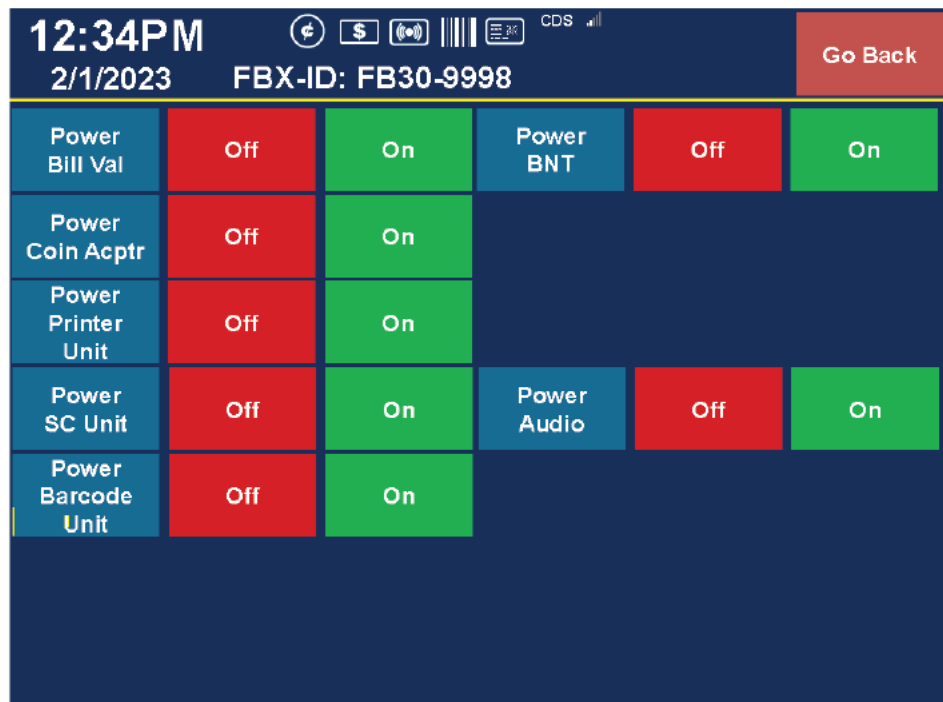


Figure 9-29 Power

- Step 52 Check each power group.

Step 53 Select Doorlock to check the cashbox door function.

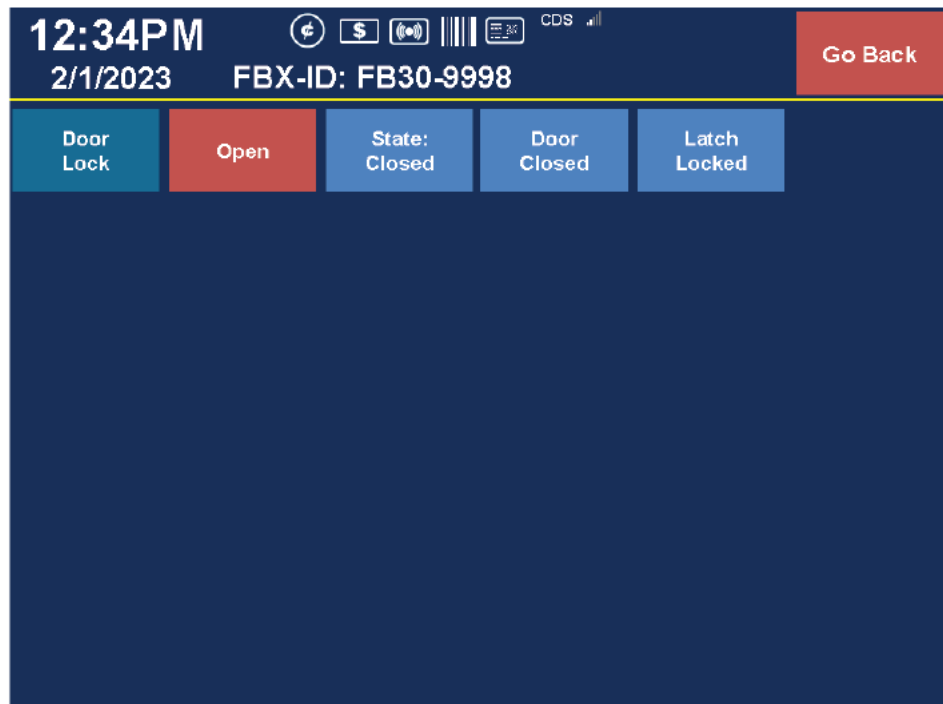


Figure 9-30 Doorlock

Step 54 Open and close the door and check states.

Step 55 Select switches to check the switches and keys.

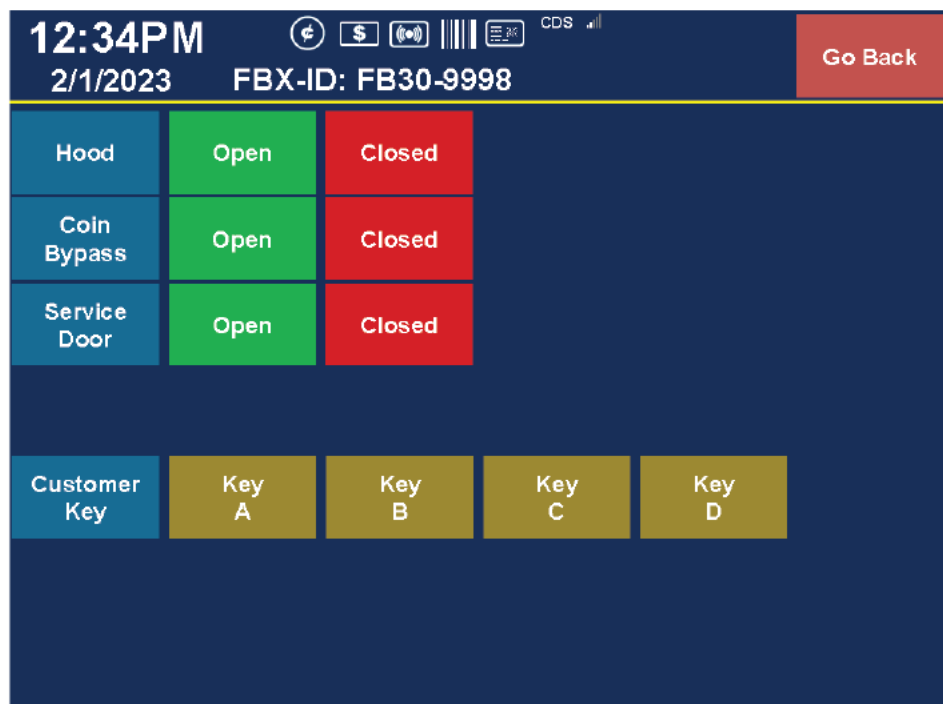


Figure 9-31 Switches

Step 56 Open and close hood and service door.

Step 57 Push each button at the customer display

Step 58 Check states.

Step 59 Select Temperature to check the temperature.

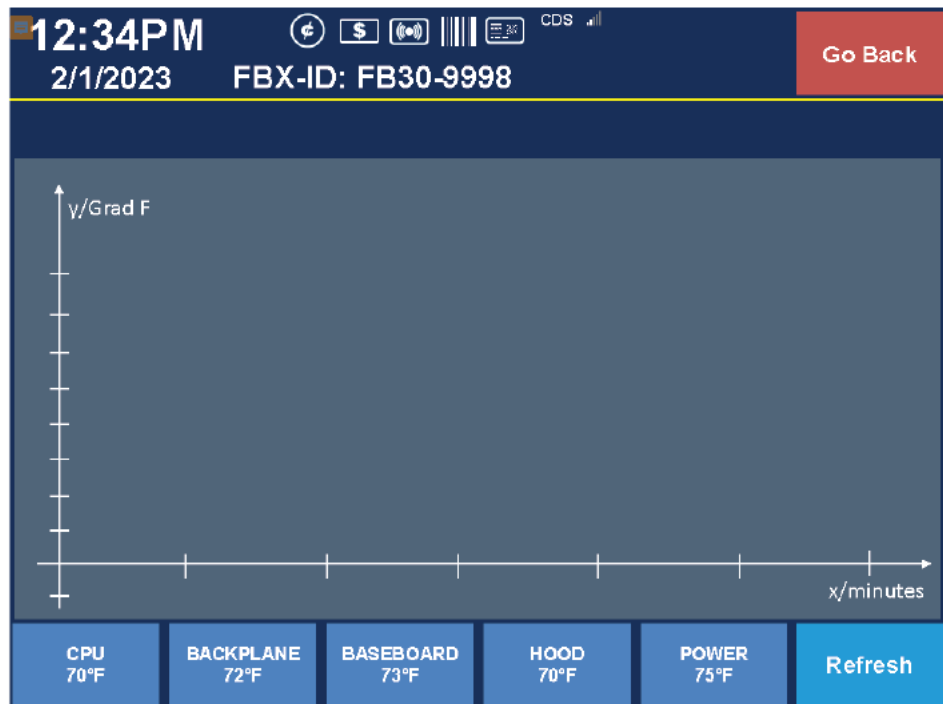


Figure 9-32 Temperature

Step 60 Check states.

Step 61 Use the bottom buttons to see the graph

Step 62 Select Other to check the speaker.



Figure 9-33 Other

Step 63 Test the speaker.

Step 64 Select Show Versions to the versions.



Figure 9-34 Show Version

Step 65 Select Ping if you want to check the network connection.



Figure 9-35 Ping

Step 66 Select Show Driver Device Info to she the drivers version.

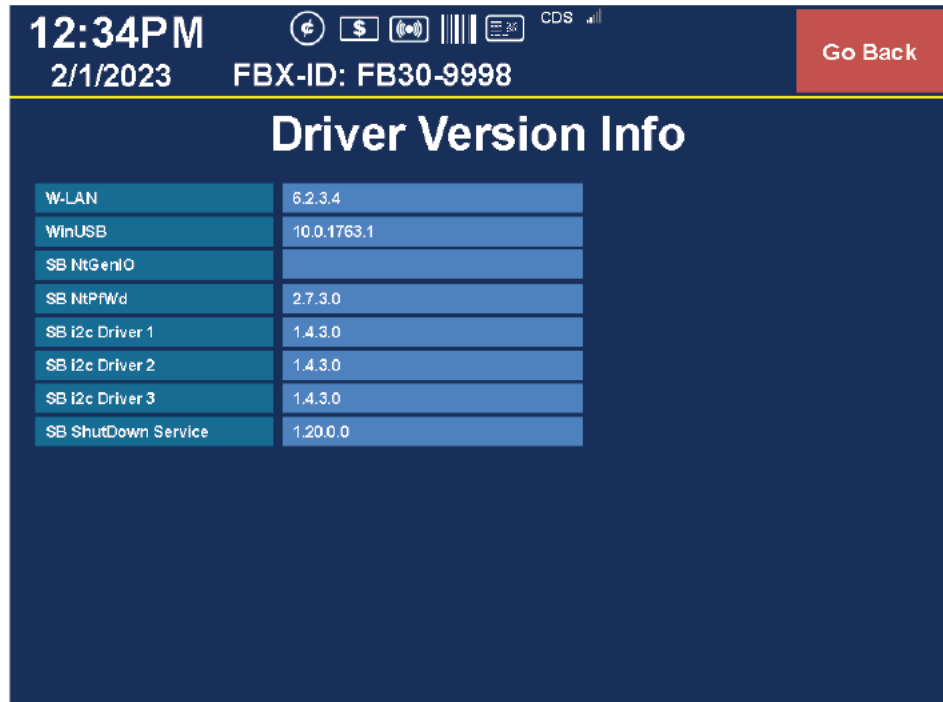


Figure 9-36 Show Driver Device Info

Step 67 Select Set Time to set the system time.



Figure 9-37 Set Time

Step 68 Select Set Date to set the system date.

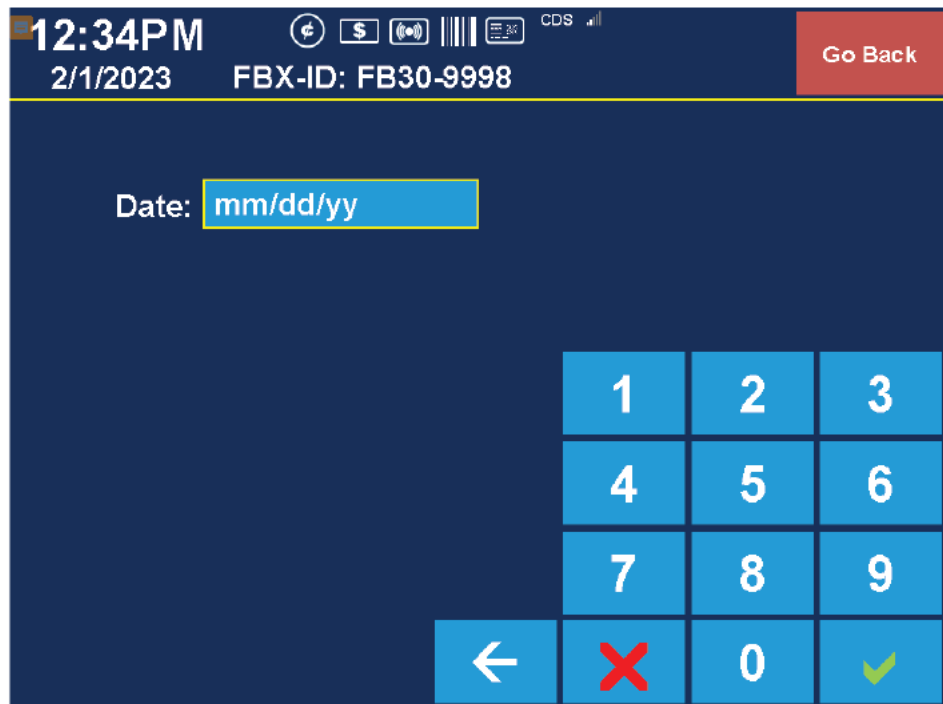


Figure 9-38 Set Date

Step 69 Select FB30 Info to see the farebox info.



Figure 9-39 FB30Info

9.9 User Interface Problems without Event Code(s) This section provides field service maintenance personnel with a list of solutions to problems that either don't generate event codes or where event codes cannot be retrieved due to interface problems.

9.9.1 No Main Power to Farebox When there is no power (line-in voltage) available to the Farebox, the troubleshooting procedure described in this section must be performed. Other related procedures are summarized below:

Use the following procedure to troubleshoot the main power system.

- ✓ Ensure the power switch is switched on.
- ✓ Check for proper line-in voltage at the main power terminal block located in the Power Unit.

NOTICE

When performing the checklists or procedures, Farebox power should be turned "OFF" before an attempt is made to disconnect or remove Farebox modules, devices, or components and cashboxes are the only modules that can be removed from the Farebox when power is on "I".

NOTICE

Extreme care should be exercised when handling printed circuit boards or other electrostatic discharge (ESD) sensitive devices. The technician should wear a grounding strap and use proper techniques for handling printed circuit boards and ESD-sensitive devices.

- ✓ Ensure the voltage LEDs are illuminated (located on the Power Unit).
- ✓ Check the fuse in front of the Power Unit.

Possible faulty modules:

- Fuse
- Power Unit

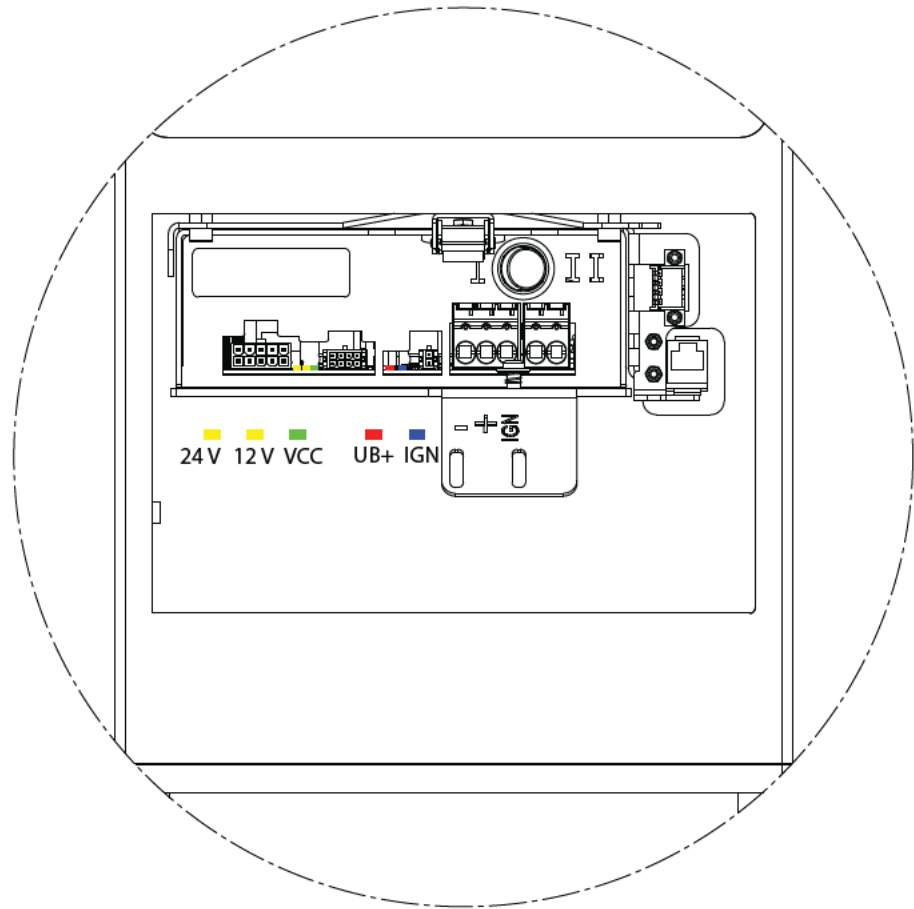


Figure 9-40 Power Pack LED

NOTICE

Pressing the start button for 15 seconds forces an emergency shutdown.

9.9.2 Patron LCD Display Dark

When there is a problem with the Patron Display, use the troubleshooting procedures described in this section.

NOTICE

When performing the checklists or procedures, Farebox power should be turned "OFF" before an attempt is made to disconnect or remove Farebox modules, devices, or components and Cashboxes are the only modules that can be removed from the Farebox when power is "I".

NOTICE

Extreme care should be exercised when handling printed circuit boards or other electrostatic discharge (ESD) sensitive devices. The technician should wear a grounding strap, and use proper techniques for handling printed circuit boards and ESD-sensitive devices.

Troubleshoot the display using the checklist below.

- ✓ Check the cable connection to the PID.

Possible faulty modules:

- Cable
- PID
- LCD Screen (backlight module)

9.9.3 OCU Troubleshooting

When there is a problem with the OCU use the troubleshooting procedures contained in this section.

Troubleshoot the OCU using the checklist below.

- ✓ If communication with the Farebox is faulty or inoperative, check the communication cables.
- ✓ If the display is blank, check the backlight on/off key.
- ✓ If the problem appears more extensive than the above, change the OCU.

Possible faulty components:

- Cable between Farebox and OCU
- OCU LCD Display
- OCU (Complete)

9.10 OCU Replacement

In the event of an OCU failure, replace it as follows:

- Step 1** Shut down the Farebox.
- Step 2** Unscrewing the nuts on the OCU holder.
- Step 3** Remove the cables.
- Step 4** Re-connect the two OCU cables at the OCU end.
- Step 5** Fasten the nuts on the OCU holder.
- Step 6** Start up the Farebox.
- Step 7** Place the Farebox in the in-service state.
- Step 8** Verify normal operation.

9.10.1 Smart Card Reader Troubleshooting

When there is a problem with the Smart Card Reader use the troubleshooting procedures contained in this section.

Troubleshoot the Smart Card Reader using the checklist below.

- ✓ Check cables and connections between Smart Card Antenna and controller.
- ✓ Check power and USB cables from controller.

Possible faulty components:

- Cables/connectors between Antenna and controller
- Cables/connectors to controller
- Controller board
- Smart Card Antenna

9.11 Problems without Event Code(s)

This section provides field service maintenance personnel with a list of solutions to problems that don't generate event codes.

9.11.1 Power System Troubleshooting

When there is no power in the Farebox, the troubleshooting procedure described in this section must be performed. Other related procedures are summarized below:

Use the following procedure to troubleshoot the main power.

- ✓ Check that the main power is connected to 12/24 VDC.
- ✓ Check that the fuse is in the Farebox.
- ✓ Check that the Farebox main switch is switched on.

Possible faulty module:

- Power Pack

9.11.2 Boot Problem from PC

When there is a problem with the Computer use the troubleshooting procedures contained in this section.

NOTICE

When performing the checklists or procedures, Farebox power should be turned off "II" before an attempt is made to disconnect or remove modules, devices, or components.

NOTICE

Extreme care should be exercised when handling printed circuit boards or other electrostatic discharge (ESD) sensitive devices. The technician should wear a grounding strap, and use proper techniques for handling printed circuit boards and ESD sensitive devices.

- ✓ Troubleshoot the Computer using the checklist below.
- ✓ Check for any error message from the operating system (OS) on OCU screen.
- ✓ Ensure the OS runs properly (Windows).
- ✓ Change the PC.

Possible faulty components:

- Hard drive (SATA DOM)
- Crashed Operating System
- Wrong setup from BIOS

9.12 Shut Down Procedure

The recommended method for shutting down the Farebox is as follows:

STEP 1: Go to the Tour Menu and press the softkey for Shut down. The system will automatically shut down.

9.13 Remove and Replace the Power Pack

To remove the Power Pack, unlock and open the service door and shut off the main power switch. Then proceed as follows:

- Step 1** Open the service door.
- Step 2** Switch off the main switch.



Figure 9-41 Switch off

- Step 3** Disconnect the cables.
- Step 4** Unlock the quick release latch.
- Step 5** Push the power pack and hang the power pack out.
- Step 6** Install the new power pack.
- Step 7** Lock the quick release latch.
- Step 8** Connect the Cables.
- Step 9** Switch on the main switch.
- Step 10** Close and lock the service door.

9.14 Remove and Replace the PC

To remove the PC, unlock and open the service door and shut off the main power switch. Then proceed as follows:

- Step 1** Open the Farebox Hood.
- Step 2** Unlock the quick release latch and remove the by-pass channel.

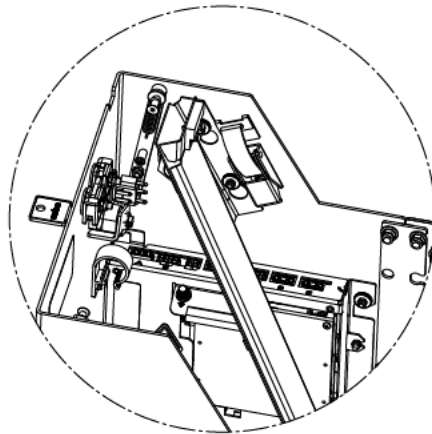


Figure 9-42 Coin Channel

- Step 3** Disconnect all cables at the pc.
- Step 4** Lift the pc and hang the pc out.

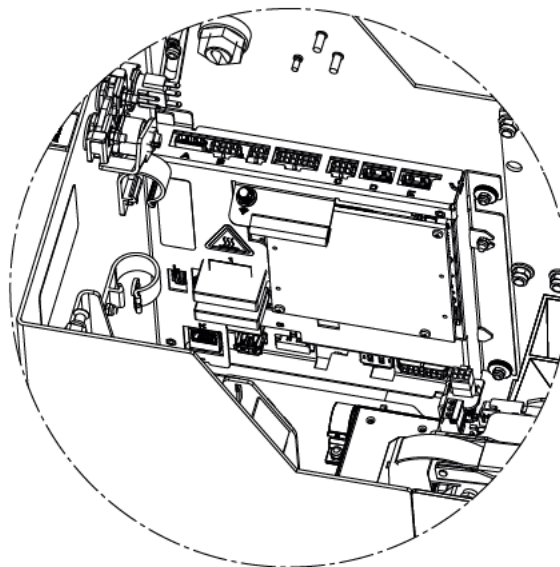


Figure 9-43 PC

- Step 5** Remove the Backup Module from the failed PC.
- Step 6** Insert the Backup Module into the replacement PC.
- Step 7** Install the new pc.
- Step 8** Connect all cables at the pc.
- Step 9** Install the by-pass channel and lock the quick release latch.
- Step 10** Initializes the PC see Chapter 4.

9.14.1 Return To Service Procedure

The following procedure must be performed after performing any maintenance activity.

- Step 1** Switch on the Main Power Switch if it was shut off.
- Step 2** Press the Start button and hold it in until the OCU display shows some startup activity.

Step 3 Close and lock the service door and hood.

Step 4 Ensure the Farebox is working properly.

9.14.2 Functional Test A Functional Test must be performed after any maintenance procedure.

Step 1 Boot the Farebox to a fully functional state.

Step 2 Log on as an operator.

Step 3 Verify that the unit accepts bills and coins.

Step 4 Verify that the unit correctly reads a Probing Smart Card.

9.15 Coin Jam This section discusses how to clear coin jams.

To clear coin jams automatically, do the following:

Step 1 Press the **<Coin Jam>** button. An internal coin channel flap will momentarily open and close, allowing the jammed coins to fall into the coin return tray.

Step 2 If the above operation does not clear the jam, the driver can activate the coin bypass by pulling this mechanical button at the back of the FB|30 hood, triggering the coin bypass insertion slot to open. Coins will now go directly to the coin section of the Cashbox without being checked by the coin verifier.

The farebox records a date and location stamped event for the bypass activation, as this feature potentially affects the cash balance/accuracy.

9.15.1 Clearing Coin Jams Manually Coin jams that cannot be cleared by the automatic procedure described above must be cleared by hand. To manually clear a coin jam, follow the steps below:

Step 1 Shut down the Farebox, as described in Section 9.12.

Step 2 Unlock and open the Top Cover.

Step 3 Disconnect the cable at the Coin Verifier.

Step 4 Press the ejector down to eject the coin Coin Verifier.

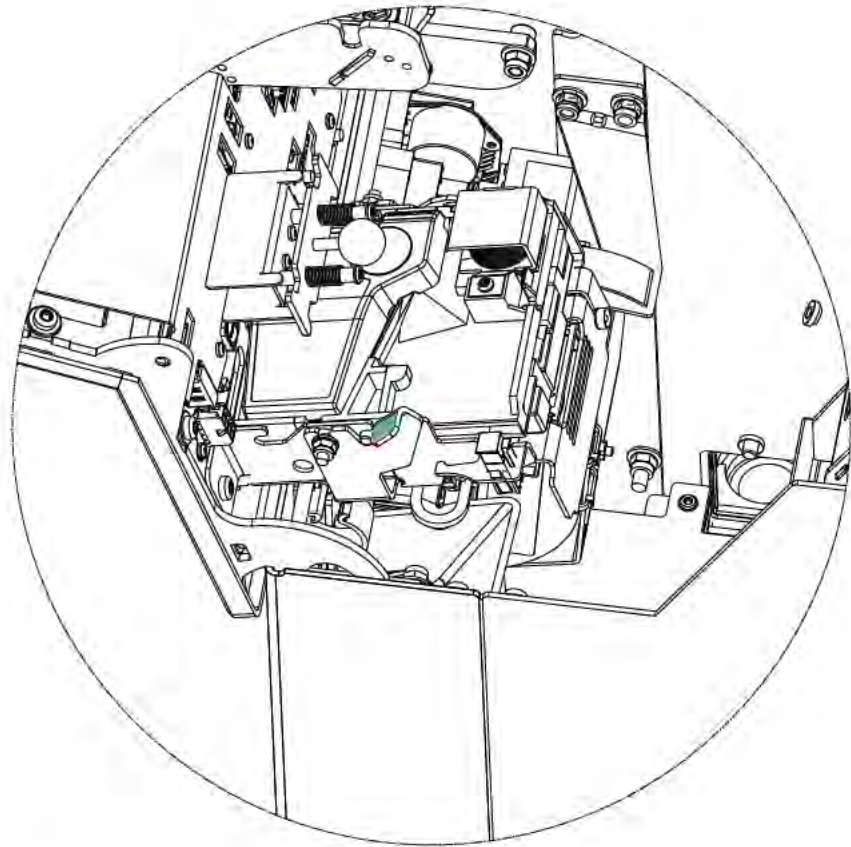


Figure 9-44

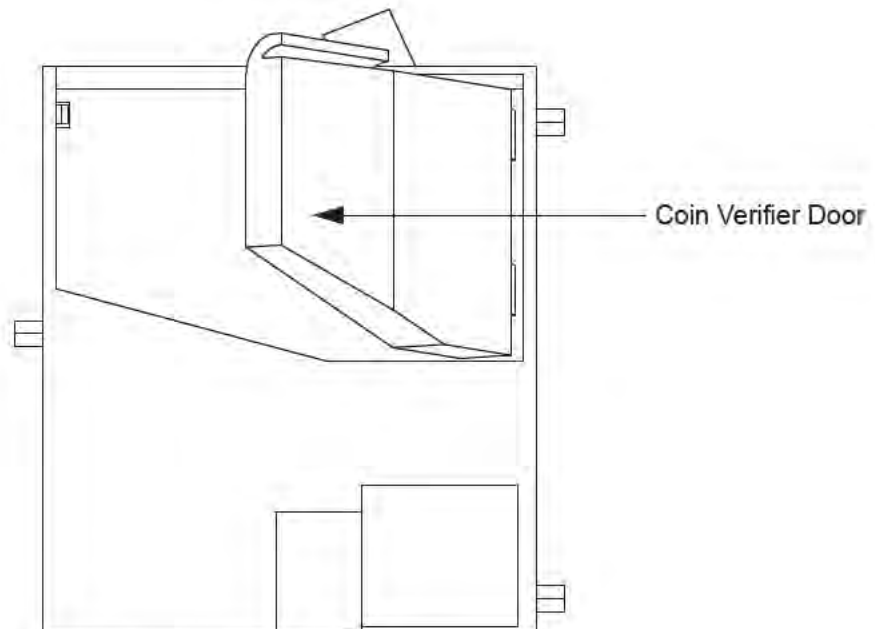
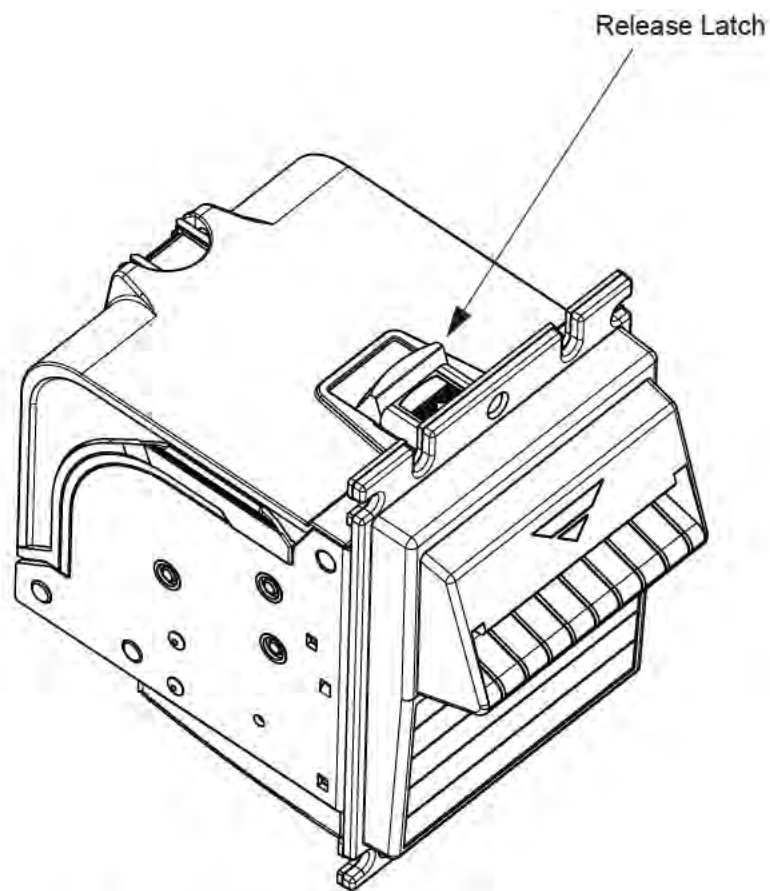


Figure 9-45 Opening the Coin Verifier

- Step 5** Open the Coin Verifier door and remove the jammed coin(s).
- Step 6** Re-insert the Coin Verifier in secured position.

- Step 7** Connect the cable at the Coin Verifier.
- Step 8** Close and lock the Top Cover.

9.16 Bank Note Jam This section discusses how to clear bank note jams.**Figure 9-46** Bill Transport Mechanism

- Step 1** Bill jam must be cleared manually.
- Step 2** Open the Farebox Hood.
- Step 3** Use the Release Latch to open the Banknote Acceptor.
- Step 4** Remove the jam.
- Step 5** Close the cover.
- Step 6** Close the Farebox Hood.

9.16.1 Bank Note Transporter

Perform the following maintenance procedures for the Bank Note Transporter. Refer to **Figure 9-47** for component identification.

- Step 1** Unlock and open the Top Cover.
- Step 2** Turn counter-clockwise the service key to unlock the Banknote Transporter.
- Step 3** On the Banknote Transporter, remove the connector, unlock the quick release latch and gently lift the Banknote Transporter from its mount inside the housing.
- Step 4** Remove the Bill Jam
- Step 5** Examine the toothed belt for signs of wear.
- Step 6** Install the Banknote Transporter and lock the quick release latch.
- Step 7** Connect the cable.
- Step 8** Turn clockwise the service key to unlock the Banknote Transporter.

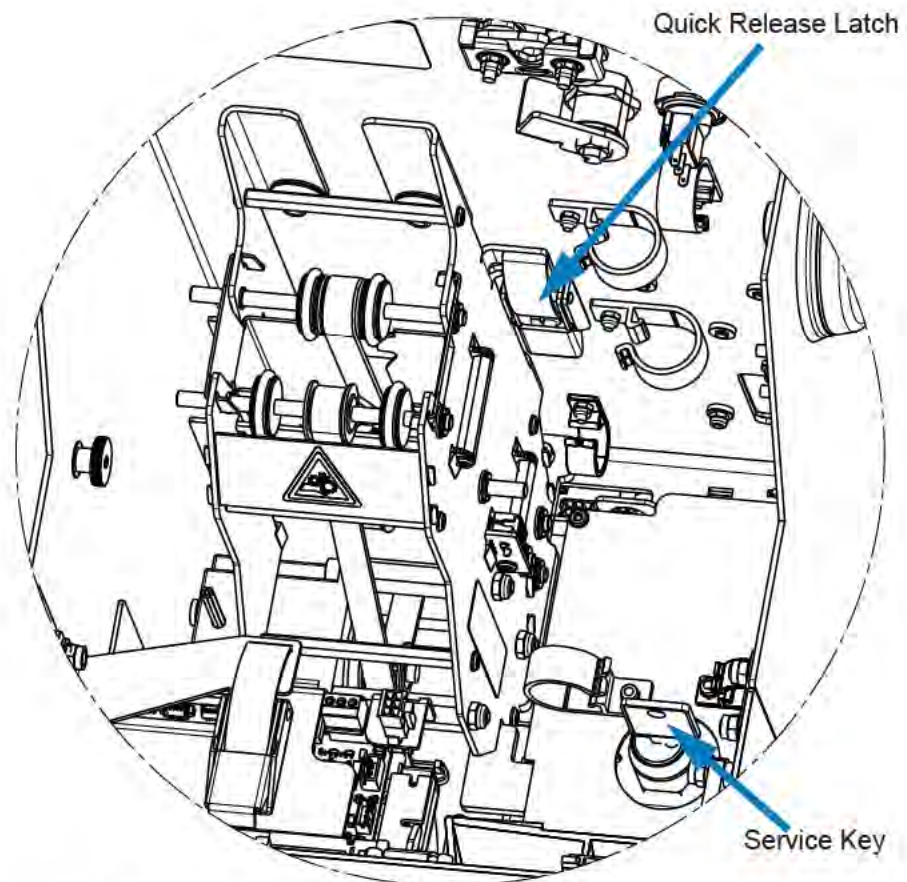
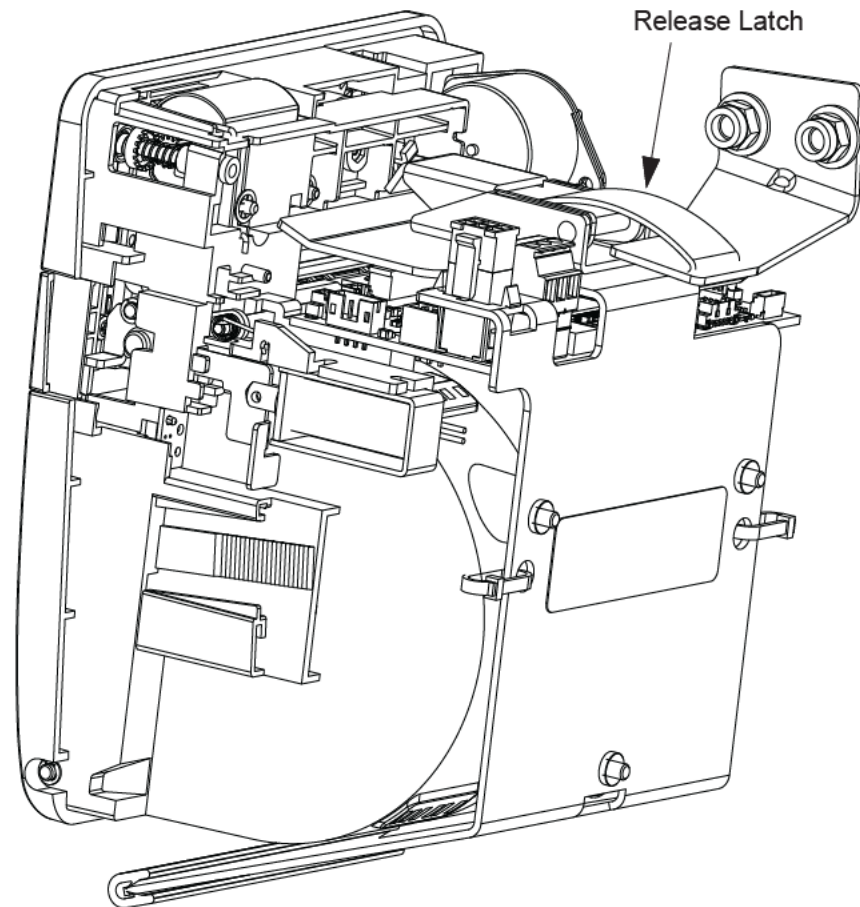


Figure 9-47 Bank Note Transporter

9.17 Printer (Variant) This section discusses how to remove the printer.**Figure 9-48** Bill Transport Mechanism

- Step 1** Open the Farebox Hood.
- Step 2** Disconnect the cables at the printer
- Step 3** Unlock the quick release latch and slide out the printer.
- Step 4** Install the new printer and lock the quick release latch.
- Step 5** Connect the cables.
- Step 6** Close the Farebox Hood.

9.17.1 FB30 Thermal Printer Test Ticket

The thermal printer had two buttons at the front, refer to the Printer Manufacture's manual for details.

Button S1 (Paper feed button (Key_Feed) green) will feed paper line by line when the key is held pressed.

Button S2 (Function key (Key_T1) black), when pressed for at least 5 seconds and then released will produce a test printout.

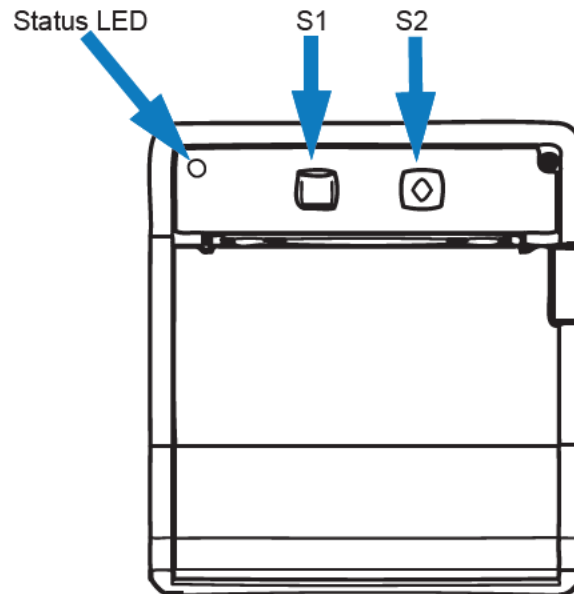


Figure 9-49

The integrated status LED indicates two printer states:

LED permanently on

- paper available and all functions are in order

LED flashing

- no paper available, case of error

9.17.2 Return To Service Procedure

The following procedure must be performed after performing any maintenance activity.

- STEP 1:** Switch on the Main Power Switch if it was shut off.
- STEP 2:** Press the Start button and hold it in until the OCU display shows some startup activity.
- STEP 3:** Close and lock the service door.
- STEP 4:** Ensure the Farebox is working properly.

9.17.3 Functional Test A Functional Test must be performed after any maintenance procedure.

- STEP 1:** Boot the Farebox to a fully functional state.
- STEP 2:** Log on as an operator.
- STEP 3:** Verify that the unit accepts bills and coins.
- STEP 4:** Verify that the unit correctly reads a Probing Smart Card.

9.18 Remove and Replace the Farebox Hood

- Step 1** Shut down the Farebox, as described in Section 9.12.
- Step 2** Unlock and open the Farebox Hood.
- Step 3** Disconnect the cables at the Farebox Hood.
- Step 4** Pull the cable holder and remove the Cables.
- Step 5** Open the quick release latch.
- Step 6** Close the Farebox Hood slightly to unhook the slide rail.
- Step 7** Hang out the Farebox Hood.
- Step 8** Hang in the new Farebox Hood.
- Step 9** Close the Farebox Hood slightly to hook in the slide rail.
- Step 10** Secure the quick release latch.
- Step 11** Connect the cables at the Farebox Hood.
- Step 12** Fix the cables with the cable holder.

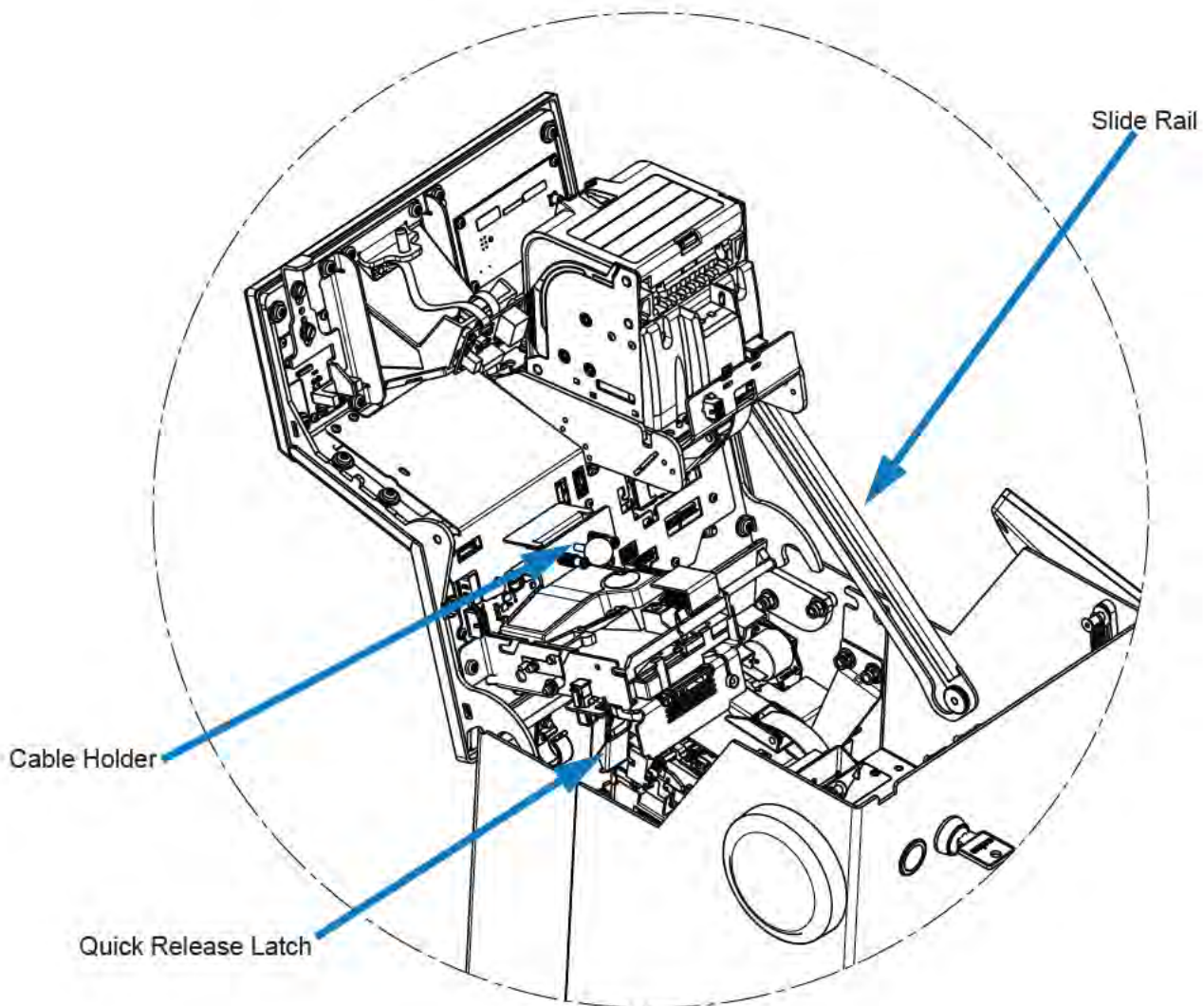


Figure 9-50 Hood Removal

9.19 Remove and Replace the OCU

- Step 1** Shut down the Farebox, as described in Section 9.12.
- Step 2** Unlock and open the Farebox Hood.
- Step 3** Lose the two torx screws (screwdriver T20) and remove the cover.
- Step 4** Disconnect the two cables of the OCU.
- Step 5** Lose the four screws and remove the OCU kit.
- Step 6** Install a new OCU kit with four screws and Loctite blue (S&B No.99002740)
- Step 7** Insert the two cables and connect the cables.
- Step 8** Install the cover and fasten the two torx screws (screwdriver T20).

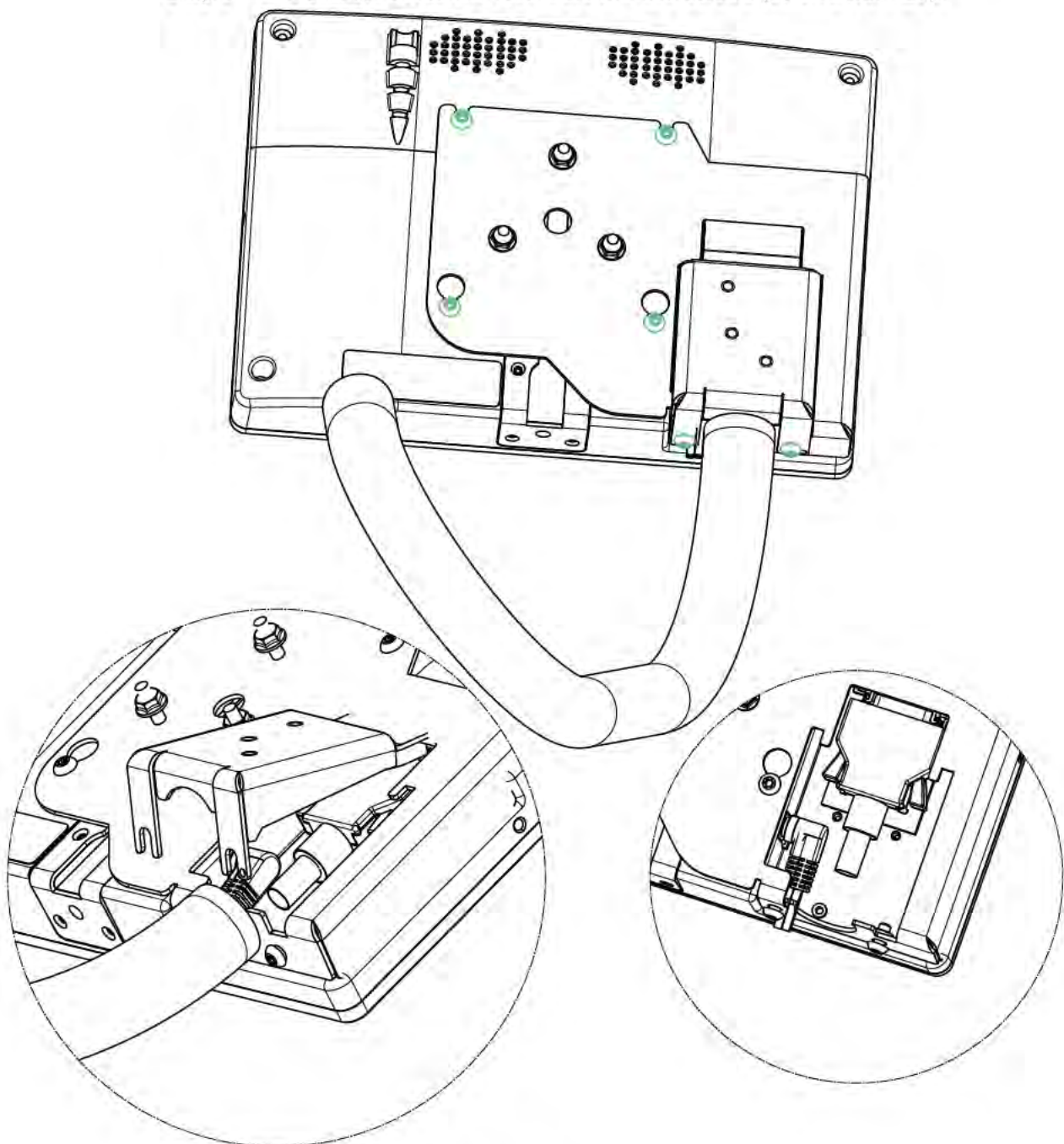


Figure 9-51 OCU Removal

9.20 Remove and Replace the Speaker



Figure 9-52 Speaker

- Step 1** Unlock and open the Top Cover.
- Step 2** Disconnect the cables at the printer
- Step 3** Unlock the quick release latch and slide out the printer.
- Step 4** Disconnect the cables at the speaker.
- Step 5** Unscrew and remove the speaker.
- Step 6** Install the speaker and fasten the new four nuts.
- Step 7** Connect the cables at the speaker.
- Step 8** Install the printer and lock the quick release latch.
- Step 9** Connect the cables.
- Step 10** Close the Farebox Hood.

9.21 Remove and Replace the Start Button



Figure 9-53 Start Button

- Step 1** Unlock and open the Top Cover.
- Step 2** Disconnect the cables at the push button.
- Step 3** Unscrew the push button.
- Step 4** Install the new push button.
- Step 5** Fasten the push button.
- Step 6** Connect the cables at the push button
- Step 7** Close the Farebox Hood.

9.22 Remove and Replace the Antenna



Figure 9-54 Antenna

- Step 1** Unlock and open the Top Cover.
- Step 2** Disconnect the cable at the SBC.
- Step 3** Unscrew the antenna.
- Step 4** Install the new antenna.
- Step 5** Fasten the antenna (SW XX).
- Step 6** Connect the cable at the SBC.
- Step 7** Close the Farebox Hood.

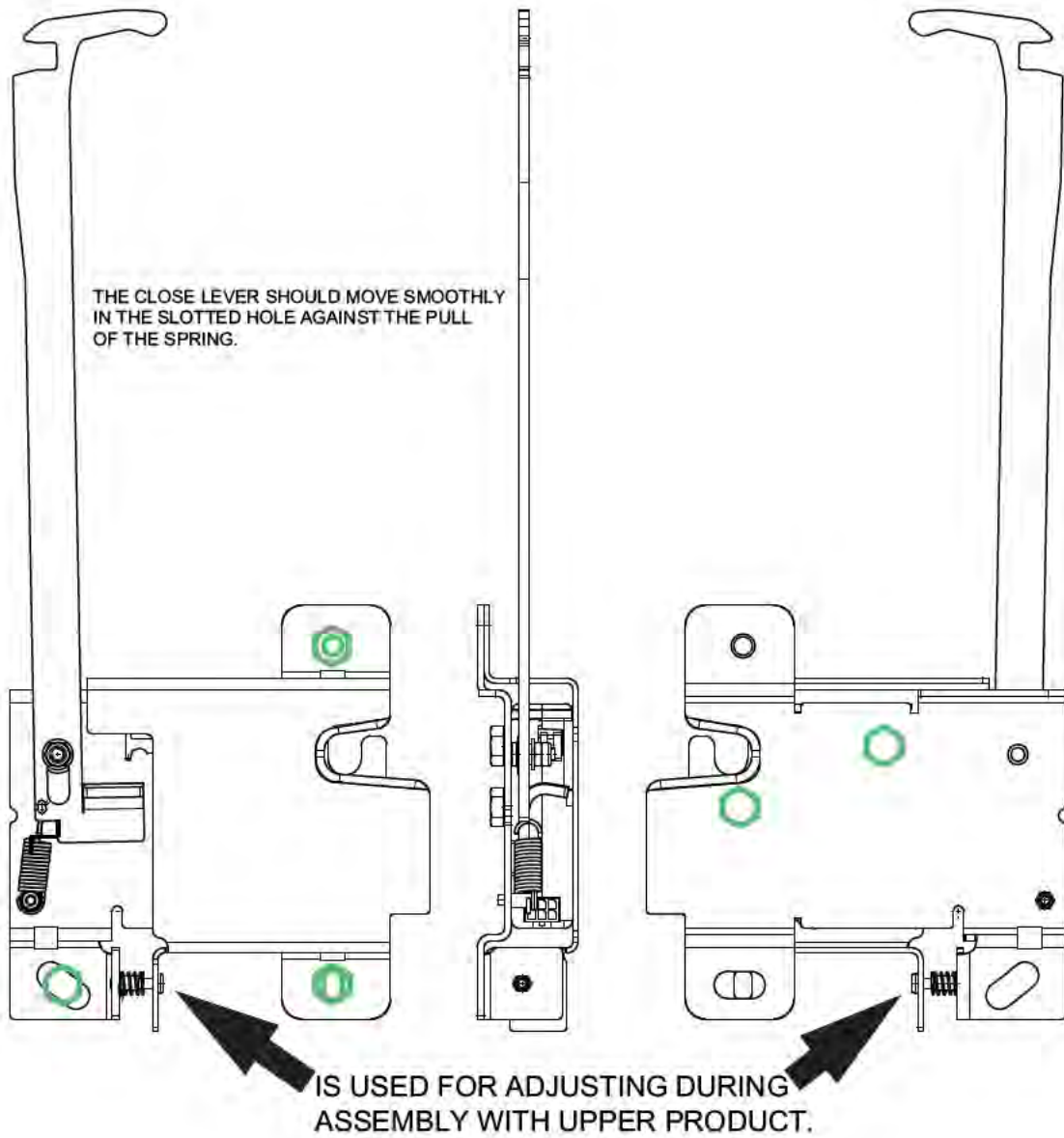
9.23 Remove and Replace the Hood Locking



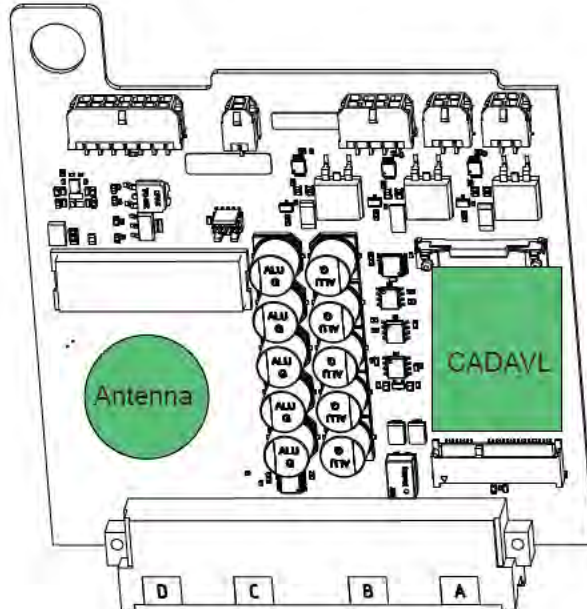
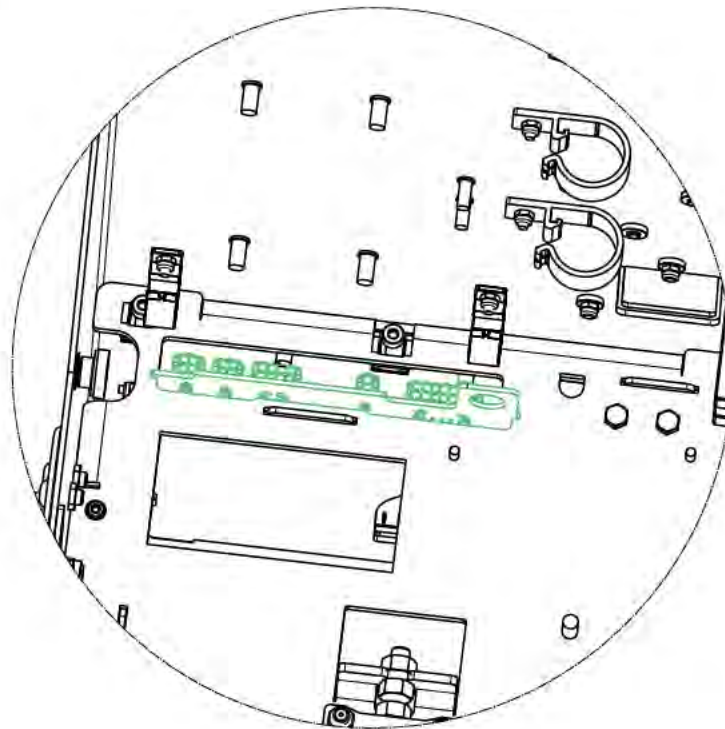
Figure 9-55 Hood Locking

- Step 1** Unlock and open the Hood Locking.
- Step 2** Disconnect the cables at the push button.
- Step 3** Unscrew the two nuts.
- Step 4** Install the new Hood Locking.
- Step 5** Fasten the two new nuts.
- Step 6** Close the Farebox Hood.

9.24 Remove and Replace the Cashbox Door Lock



9.25 Remove and Replace the CB Connection with Antenna



- Step 1** Unlock and open the Top Cover.
- Step 2** Turn counter-clockwise the service key to unlock the Banknote Transporter.
- Step 3** On the Banknote Transporter, remove the connector, unlock the quick release latch and gently lift the Banknote Transporter from its mount inside the housing.
- Step 4** Disconnect the cables at the CB connection.
- Step 5** Use the finger-hole to pull out the CB Connection board

- Step 6** Push completely in the new CB Connection board.
- Step 7** Connect the cables.
- Step 8** Install the Banknote Transporter and lock the quick release latch.
- Step 9** Connect the cable.
- Step 10** Turn clockwise the service key to unlock the Banknote Transporter.

Chapter 10

Glossary

10.1 Glossary of Terms and Abbreviations

ABCDEFGHIJKLMNOPQRSTUVWXYZ

A

AFC	Automatic Fare Collection
AWG	American Wire Gauge
Aztec Code	2D barcode designed by Andrew Longacre at Welch Allyn (now Honeywell Scanning and Mobility). Public domain. International Standard: ISO / IEC 24778.

B

BNA	Banknote Acceptor
BNR	Banknote Recycler
BNS	Banknote System
BNV	German abbreviation for banknote system. The term BNV stands for Banknoten-Verarbeitung (Bill Processing) and refers to the system installed into Scheidt & Bachmann systems.

C

CAD / AVL	CAD / AVL (Computer Aided Dispatch and Automatic Vehicle Location System) is the British and American counterpart of the RBL standard widely used in Germany. The objective of the system is to monitor the positions of buses and trains on their planned routes and be able to provide passenger information in buses and trains as well as at stops. In addition, there is also the possibility to control communication between the driver or CAD / AVL system and the control center. CAD / AVL is similar to the German RBL which has been superseded by ITCS.
Calypso	Calypso is an international electronic ticketing standard for microprocessor contactless Smart Cards, originally designed by a group of transit operators from eleven countries including Belgium, Germany, France, Italy, Latvia, Portugal, Canada and others.

CE	Communauté Européenne CE marking is a certification mark that indicates conformity with health, safety, and environmental protection standards for products sold within the European Economic Area (EEA).
Codabar	1D barcode. Codabar is a numeric code with some additional special characters (0..9 and - \$: / . +). There are four different start and stop signs defined.
Code 128	1D barcode. Code 128 Auto can encode the complete ASCII-character set. This is done by switching between all three character sets of Code 128.
Code 39	1D barcode. Code 39 is an alphanumeric code. Each character is built by nine elements (five lines and four spaces) where three are thick and six are thin. This allows the self checking of code 39. Code 39 does not require a build-in check digit. The main advantage is the wider character set.
CPI	Crane Payment Innovations CPI is the combination of Crane Payment Solutions and MEI Conlux Holdings ("MEI"). CPI brands are CashCode, Currenza, Mei, Money Controls, Conlux, Telequip and NRI.
CSA	Canadian Securities Administrators CSA is a not for profit standards organization which develops a wide range of standards for Canadian industry including standards on energy, electrical, construction, quality management, health care, environment, and information technology.

D

Data Matrix	2D barcode from Microscan Systems, formerly RVSI Acuity CiMatrix / Siemens. Public domain. Increasingly used throughout the United States. Single segment Data Matrix is also termed Semacode. International Standard: ISO / IEC 16022.
Device Class	The field devices are assigned to a device class. The device classes are dependent on the hardware equipment. Devices with the same hardware are assigned to the same device class.

E

E1	Part of an approval mark provided for by the regulations annexed to the agreement concerning the adoption of uniform technical prescriptions for wheeled vehicles, equipment and parts which can be fitted and / or be used on wheeled vehicles and the conditions for reciprocal recognition of approvals granted on the basis of these prescriptions (so-called UN / ECE regulations) for fitting to equipment and parts. Here with the country code ""1"", which stands for Germany. In the case of a complete approval mark, the approval number and, where appropriate, the number of the international agreement containing the letter ""R"" and, where appropriate, additional symbols shall be affixed in the vicinity of this circle.
EAN-13	1D barcode. The EAN barcode is primarily used in supermarkets to identify product at the Point of Sale. The products contain the EAN number or GTIN (Global Trade Item Number) to identify itself.
EAN-8	1D barcode. EAN-8 is the short form of EAN-13. This code is only used if the article is too small for an EAN-13 code. The restrictions for this are very hard. An EAN-8 will only be granted if an EAN-13 will use more than 25 % of the front space of the article.
EMV	Europay International, Mastercard und Visa This is a specification for payment cards equipped with a processor chip and the associated Smart Card devices.
ESD	Electrostatic Discharge
F	
FareGo	The FareGo product brand is a complete system solution offered by Scheidt & Bachmann for all fare management requirements of public transport systems.
FareGo Data CS	The FareGo Data CS backend system is the central system for data collection and management of your ticket management system.
FCC	Federal Communications Commission This is an independent agency of the United States government created to regulate interstate communications by radio, television, wire, satellite, and cable. The FCC maintains jurisdiction over the areas of broadband access, fair competition, radio frequency use, media responsibility, public safety, and homeland security.
FCS	Scheidt & Bachmann Fare Collection Systems GmbH, one of four business areas of Scheidt & Bachmann GmbH
G	
GUI	Graphical User Interface The panel and components through which the customer interacts with the machine.

I

ID	Identification Number
IEC	International Electro-Technical Commission The IEC is an international standards organization for standards in the field of electrical engineering and electronics with headquarters in Geneva.
Interleaved 2 of 5	1D barcode. Code 25 Interleaved is a special type of Code 25 that is also a numeric code able to display digits from 0 to 9. The code is also known as Code 2 of 5 Interleaved.
ITCS	Intermodal Transport Control System is an extension of the RBL standard. ITCS enables for example automatic switching when a train approaches and communication between the vehicle or the vehicle driver and the control center.

M

Maxicode	2D barcode used by United Parcel Service. Now public domain.
MCL	Mastercard contactless Mastercard Contactless is compatible with EMV contactless payment technology. Based on the ISO / IEC 14443 standard, which provides Mastercard and Maestro cardholders with a way to make a payment by touching a payment card or other payment tool, such as a smartphone to a reader on a payment terminal instead of swipe it through a read or insert it to the terminal.
MIFARE	The brand name covers proprietary solutions based upon various levels of the ISO / IEC 14443 Type A 13.56 MHz contactless Smart Card standard.
MSHA	Mine Safety and Health Administration The Mine Safety and Health Administration is an agency of the United States Department of Labor which administers the provisions of the Federal Mine Safety and Health Act of 1977 (Mine Act) to enforce compliance with mandatory safety and health standards as a means to eliminate fatal accidents, to reduce the frequency and severity of nonfatal accidents, to minimize health hazards, and to promote improved safety and health conditions in the nation's mines.

N

NEC	National Electrical Code The National Electrical Code, or NFPA 70, is a regionally adoptable standard for the safe installation of electrical wiring and equipment in the United States.
NFC	Near Field Communication

NFPA 70	National Fire Protection Association NFPA 70 is a part of NEC directive.
NRI	National Rejectors Inc. They are the manufacturer of the coin verifier. Crane Group (CPI).
NRTL	Nationally Recognized Testing Laboratory Nationally Recognized Testing Laboratory is the term used by the United States Occupational Safety and Health Administration to identify third-party organizations that have the necessary qualifications to perform safety testing and certification of products covered within OSHA and each organization's scopes.
NT-20 PP	Device designation for the Ticket Vending Machine's Power Pack.
NWC	Network Controller

O

OEM	Original Equipment Manufacturer
OSHA	Occupational Safety and Health Administration The Occupational Safety and Health Administration is an agency of the United States Department of Labor. This agency is responsible to assure safe and healthy working conditions for working men and women by setting and enforcing standards and by providing training, outreach, education and assistance.

P

payWave	payWave (Visa) is a contactless payment technology feature that allows cardholders to wave their card in front of contactless payment terminals without the need to physically swipe or insert the card into a Point of Sale device.
PCB	Printed Circuit Board
PCIDSS	Payment Card Industry Data Security Standard The Payment Card Industry Data Security Standard is an information security standard for organizations that handle branded credit cards from the major card schemes.
PDF 417	2D barcode originated by Symbol Technologies. Public domain. International standard: ISO / IEC 15438
PIN	Personal Identification Number

Q

QR Code 2D barcode initially developed, patented and owned by Denso Wave for automotive components management they have chosen not to exercise their patent rights. Can encode Latin and Japanese Kanji and Kana characters, music, images, URLs, emails. De facto standard for Japanese cell phones. Used with BlackBerry Messenger to pick up contacts rather than using a PIN code. The most frequently used type of code to scan with smartphones. Public Domain. International Standard: ISO / IEC 18004.

R

RED Radio Equipment Directive
The Radio Equipment Directive deals with the placing on the market of radio-electric equipment. All product in scope of this directive and placed on the EU market must be compliant with this directive.

S

S&B Scheidt & Bachmann GmbH

SAM Secure Access Module
A Secure Access Module (or Secure Application Module) is based on Smart Card integrated circuits and is used to enhance the security and cryptography performance in devices, commonly in devices needing to perform secure transactions, such as payment terminals. It can be used for cryptographic computation and secure authentication against Smart Cards or contactless EMV cards.

SBC Compact Scheidt & Bachmann Computer Compact

SCR Smart Card Reader

T

TÜV Technischer Überwachungsverein (Technical Inspection Association) TÜV are German businesses that provide inspection and product certification services.

U

UPC-A 1D barcode. The UPC-A code is the standard version of the UPC code and has 12 digits. It is also called UPC-12 and is very similar to the EAN code.

UPC-E 1D barcode. The UPC-E code is a short version with eight digits, always starting with a zero.

V

Version Group To improve management, individual versions of the field devices are combined into four version groups. The version groups available are Operational Data, Software, Application and Fare.

Vicinity

Vicinity is a ISO card standard for e.g. cards which can be read from a greater distance as compared with proximity cards. Such cards can normally be read out by a reader without being powered themselves, as the reader will supply the necessary power to the card over the air (wireless).

Chapter 11 Appendix

11.1 Additional Documents

This chapter shows all documents which are attached to the pdf version of this document.

You are able to find attached documents as shown in **Figure 11-1**

Click on the paperclip symbol on the left edge of the opened pdf document.

NOTICE

If this manual is printed from the PDF version, the attached files will not automatically be included. If the attached files are needed in printed form, each attached file must be printed separately.

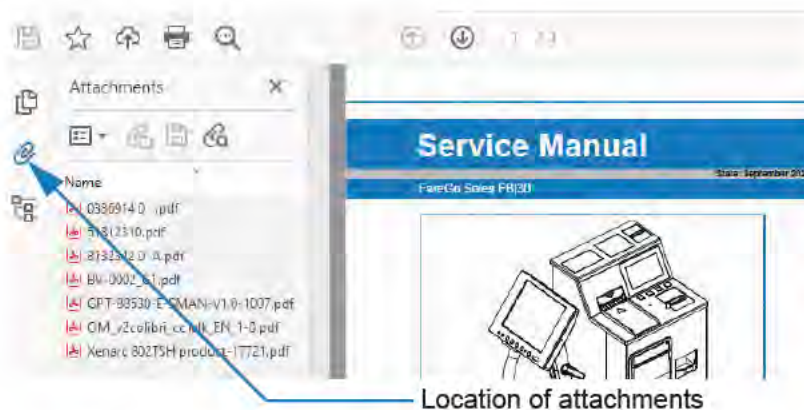


Figure 11-1 Location of attachments (this picture shows an example)

Drawing No.	Description
0386914 0 .pdf	Wiring Diagram
8132342 0 A.pdf	Installation Diagram
51812310.pdf	Barcode Scanner Datasheet
Xenarc 802TSH product-17721.pdf	OCU Datasheet
BV-0002_G1.pdf	Banknote Acceptor Datasheet
Stackerless BV manual.pdf	Banknote Acceptor Manual
OM_v2colibri_ccTalk_EN_1-0.pdf	User Manual Coin Verifier
GPT-88530-E-SMAN-V1.0-1007.pdf	User Manual Thermal Printer

Table 11-1 Appendix

EXHIBIT 25
PHOENIX TECHNOLOGY SERVICES
TECHNICAL REQUIREMENTS



1/8/2024

Technical Requirements

West RFP

CITY OF PHOENIX – PUBLIC TRANSIT DEPARTMENT

Table of Contents

Key Terms	3
General Requirements	4
1. Overview	4
2. Purpose	4
3. Standards	4
Improper Use of Systems:	6
4. System Access.....	6
Access Request Process	6
How to Access?.....	7
Roles and Responsibilities:	8
5. Computer Desktops Requirements	9
6. CITY - Network Infrastructure.....	9
Roles and Responsibilities:	9
Structured Cabling:	10
Roles and Responsibilities:	10
Telecommunications Circuits:	11
Roles and Responsibilities:	11
7. Communication:	12
Roles and Responsibilities:	12
8. System Maintenance:.....	12
9. Technical Support	12
10. Data Requirements	14
11. Transit Application Plan.....	14
12. Training	14
13. Procedures to operate a CITY maintained Software.....	15
CAD/AVL Communications System.....	16
Dispatch Equipment	16
Roles and Responsibilities:	16
Onboard Equipment.....	18
Roles and Responsibilities:.....	18
Bus in Box/ Bus on Board (BIB/BOB) Equipment.....	20
Roles and Responsibilities:.....	20
Return Merchandise Authorization (RMA) Process	21

<i>Roles and Responsibilities:</i>	21
Mobile Device	22
<i>Roles and Responsibilities:</i>	23
Out of Scope Onboard Integration with Third Party Vendor	24
Digital Video Recorder System (DVRS)	24
<i>Roles and Responsibilities:</i>	24
RADIO	25
<i>Roles and Responsibilities:</i>	25
Garage Infrastructure	26
<i>Roles and Responsibilities:</i>	27
Mobile Router	28
<i>Roles and Responsibilities:</i>	28
New Vehicle Builds	29
Fleet Manager	29
<i>Roles and Responsibilities:</i>	29
Communications System Software	30
System Access:	30
<i>Roles and Responsibilities:</i>	30
HASTUS (Scheduling and Dispatch System)	30
<i>Roles and Responsibilities:</i>	31
System Access	32
Training	32
FCS/FareGo (Fare Collection System)	32
Onboard Equipment	33
<i>Roles and Responsibilities:</i>	33

Key Terms

Agency: The Transit Operations Contractor/Transit Partner Organization

Onboard: On the vehicle

Onboard Equipment: All CAD/AVL components and onboard Surveillance system

A.R.: Administrative Regulation

AVL: Automatic Vehicle Locator

APC: Automatic Passenger Counter

CAD: Computer-Aided Dispatch

DVR: Surveillance System (Digital Video Recorder)

CITY: City of Phoenix

PTD: City of Phoenix – Public Transit Department

EA: Emergency Alarm

FDR: Final Design Review

ITS: City of Phoenix- Information Technology Services Department

IVU: In-Vehicle Unit

LMR: Land Mobile Radio

MDU: Mobile Digital Unit

OEM: Original Equipment Manufacture

RMA: Return Merchandize Authorization

SAF: Security Access Form

SOP: Standard Operating Procedures

SIM: Subscriber identification module used to identify authorized user on a cellular network

Transit Partner: Regional Partner Agency/Organization or Transit Operations Contractor

URLC: Universal Radio Logic Controller

VLU: Vehicle Logic Unit

VPN: Virtual Private Network

General Requirements

1. Overview

The City of Phoenix Public Transit department – Technology Services section manages and oversees Transit technology for the City of Phoenix – Transit operations, contractors, and the City’s regional partner agencies. Such technology includes major transit systems like the Computer Aided Dispatch/Automatic Vehicle Locator (CAD/AVL), HASTUS – Scheduling and Dispatch system, Fare Collections (FCS/FareGo), Para Transit Scheduling and Dispatch system (PASS) and other systems required to meet the City’s and region’s operational needs. The PTD collaborates with various vendors and ITS to provide the latest technology for meeting the needs of all system users.

2. Purpose

This document establishes the requirements for TRANSIT PARTNERS to use the CITY’s Information Technology Systems and sets a framework for maintaining the integrity and security of all CITY data and resources. This guide applies to all CONTRACTORS and TRANSIT PARTNERS who access CITY resources – network/infrastructure/systems. The CITY requires all TRANSIT PARTNER staff to adhere to the guidelines provided by the CITY. This document addresses CITY standards, technical and performance specifications, problem escalation and oversight.

Due to the continuously evolving nature of technology, this document represents the CITY’s current technology requirements, but is subject to change at the discretion of the CITY. As technology requirements require modifications or updates, the CITY will communicate such changes to its TRANSIT PARTNERS to ensure compliance with any new standards. TRANSIT PARTNERS are responsible for complying with the technology requirements set forth in this document and any updates, as requested by the CITY.

3. Standards

This section outlines the general CITY standards which apply to the overall usage of any kind of technology that the CITY provides to the TRANSIT PARTNER under this agreement.

All TRANSIT PARTNER employees granted access to CITY systems will be bound by the rules and conduct set forth in CITY Policies and Administrative Regulation(s) (A.R.) 1.63, 1.84, 1.90, 1.91, 1.95, 4.45.

- [A.R. 1.63 Electronic Communications and Internet Acceptable Use](#)
- [A.R. 1.84 Information Security Management](#)
- [A.R. 1.90 Information Privacy and Protection](#)

- [A.R. 1.91 Information Privacy and Protection Supplement – Data Shared with Third Parties](#)
- [A.R. 1.95 PRIVACY PROGRAM](#)
- [A.R. 4.45 Contract Work Background Checks](#)
- Policies and Procedures related to Network devices, external network connections and associated policies for the management of electronic data and devices over the CITY network.
- **Call Escalation Chart for Public Transit Application Support:** The Call Escalation Process chart will be provided after the award of the contract.
- **Standard Operating Procedures (SOPs) for Identity and Password Management:** The CITY has SOPs defined for the proper management of User accounts and Passwords. The SOPs require all TRANSIT PARTNER staff using CITY accounts to log in every 30 days to keep their accounts active. In addition, these standards require TRANSIT PARTNER staff to follow the rules for creating passwords, updating their passwords periodically and registering for the CITY provided Password Reset Tool. TRANSIT PARTNER staff must comply with the guidelines under these standards. The information will be provided to the TRANSIT PARTNER, upon contract award and as accounts are set up. User accounts with no log-ons for 90 days are deactivated and TRANSIT PARTNER staff will need to submit a Security Access Form (SAF) to regain account access. The CITY is always looking to improve Security of its Network and the systems and as the changes are made in the standards for Passwords or related tools, TRANSIT PARTNER staff is expected to adopt and comply with these standards.
- **The CITY can require the users accessing CITY network to complete cyber security training set up by the CITY.**
- **The CITY can require the TRANSIT PARTNER to provide evidence of cyber security training completion by the TRANSIT PARTNER staff at CITY’s discretion. This will not be required if the CITY requires the TRANSIT PARTNER staff to complete the cyber security training provided by the CITY.**
- The CITY will provide the TRANSIT PARTNER with the CITY Administrative Regulation(s), standards and policies listed above. The TRANSIT PARTNER shall distribute CITY A.R. (s), policies and standards to every employee who is granted access to transit business applications or data. Requirements may be added or updated in the future depending on the CITY’s security standards.
- The TRANSIT PARTNER staff requesting any POI/remote access to the CITY systems must have a completed and successful background check based on the CITY requirements.
- The level of background check will be as defined in the entity’s contract with COP/PTD. For the regional partners with intergovernmental agreements (IGA) with COP/PTD, a Maximum Risk Level (as defined in the City of Phoenix A.R. 4.45) will be required.
- The CITY Contract Manager reviews the backgrounds for any new staff hired by the TRANSIT PARTNER, if the TRANSIT PARTNER is a direct contractor for the CITY. The access is provided based on the approval from the Contract Manager.
- For the TRANSIT PARTNER staff whose background checks are not reviewed by the CITY Contract Manager as they are not a direct contractor for the CITY; background check results shall be sent to the email “ptd.access@phoenix.gov” following background check requirements outlined in the applicable A.R. 4.45. The results will be reviewed and approved

before the access can be granted. (This applies to Valley Metro and Valley Metro Contractors)

The TRANSIT PARTNER shall direct all employees to read and sign the CITY document “IT Standards and Signature Sheet”, to convey receipt, comprehension, and intent to comply. The CITY will post any updates to the “IT Standards and Signature Sheet” on its website. The TRANSIT PARTNER shall retrieve from their employees and submit electronically the signed documents to CITY. For audit purposes, signed “IT Standards and Signature Sheet” will be required from the TRANSIT PARTNER and its contractor staff, who access any of the CITY provided network or system access:

1. For all new accounts, CITY document “IT Standard and Signature Sheet” must be attached to the Security Access Form (SAF) and submitted electronically.
2. For Annual audits, by January 31st or provided timeline every calendar year, for the duration of this agreement.

Improper Use of Systems:

Any TRANSIT PARTNER staff found in violation of CITY A.R. (s), policies or standards for proper system usage will be considered a potential risk and their account will be suspended.

Should any CITY system-wide failure occur because of improperly maintained or unauthorized software installation by a TRANSIT PARTNER employee, the CITY will assess the TRANSIT PARTNER any costs required to restore the network retroactive to its full and healthy condition.

The TRANSIT PARTNER will be held responsible for properly managing the technical assets provided by the CITY for accessing various systems. In case of any damage caused by the TRANSIT PARTNER to these assets due to misuse, negligence, unauthorized maintenance or vandalism, the TRANSIT PARTNER will be liable for equipment replacement costs, including time and labor costs.

4. System Access

For any TRANSIT PARTNER staff who requires access to any CITY supported technical systems and network, the TRANSIT PARTNER shall submit a request using the CITY defined process.

Access Request Process: The CITY will provide access to transit business related systems upon a submitted and approved business justification outlining the need for such access.

- The TRANSIT PARTNER shall designate a primary and a secondary representative who will be responsible for the system access process and will work with the CITY as

required for the duration of this agreement. The designated representative must always keep the assigned CITY Contract Manager informed of their requests.

- The TRANSIT PARTNER designee will be responsible for obtaining approval from the authorized person at their Agency prior to completing SAF requests. The TRANSIT PARTNER shall provide the names of the primary and secondary designees upon the start of this agreement and notify the City of any updates during the term of this agreement.
- All user access requests for applications and data (i.e., Virtual Private Network (VPN), CAD/AVL, City Contractor SharePoint site etc.) will be submitted online using the electronic Security Access Form (SAF), which is accessible on the CITY Contractor web page.
- All Agency staff members who are given access to the CITY systems are given a Person of Interest (POI) account. To set up POI accounts, ***it is required for the TRANSIT PARTNER to provide a contact cell phone number, zip code, email address, first and last name, and job title*** for the requested staff on the SAF. Other necessary information based on the type of request must be completed on the SAF.
- When submitting a request for a new user account, the “IT Standards and Signature Sheet” must be attached to the SAF.
- The TRANSIT PARTNER shall provide two weeks’ notice prior to activating user account.
- The TRANSIT PARTNER shall submit a SAF to inform the CITY of any updates to accounts belonging to employees in the TRANSIT PARTNER’s control.
- Upon receiving access, TRANSIT PARTNER and CONTRACTOR staff must register for Self Service Password Registration (SSPR) tool. On the failure to meet this requirement, the account can be inactivated.
- TRANSIT PARTNER and CONTRACTOR staff must login within 30 days of accounts assignment and every 30 days from there on. Account can lead to inactivation on the failure to follow the requirement.
- The TRANSIT PARTNER shall submit a SAF within one (1) business day when a TRANSIT PARTNER employee who is granted the CITY systems access has been terminated or no longer requires access to the system access.
- The TRANSIT PARTNER and CONTRACTORS using the CITY’s systems must provide a monthly report from their HR system denoting all terminated employees/operators.
- The TRANSIT PARTNER shall follow all SAF procedures outlined based on the system for which the access is being requested.
- All access requests must comply with the applicable A.R. requirements.
- The TRANSIT PARTNER shall maintain a list of all active users who access the CITY systems.

How to Access?

To access CITY systems, which are not supported through CITY equipment and workstations, the TRANSIT PARTNER shall use the VPN solution that the CITY provides. The CITY only provides a limited number of CAD/AVL and Avtec workstations. For all other

system and access needs, the TRANSIT PARTNER is responsible for providing their own workstations to access the CITY systems through Site-to-Site VPN or VPN software set up. The TRANSIT PARTNER must maintain any network resources that are required to keep the systems operating in an efficient manner without impacting the performance of the systems.

Access requests must be made for each individual user and each user must access the VPN or the system requested with his/her own assigned account. Sharing of accounts is not permitted per CITY policy. The Agency staff must comply with the CITY standards to keep their accounts active.

Site to Site VPN: The CITY - ITS coordinates with the TRANSIT PARTNER to provide a Site-to-Site VPN solution at the TRANSIT PARTNER site, for the convenience of the TRANSIT PARTNER to access the CITY provided technical systems. The site-to-site VPN solution set up is done after a security review by the CITY and if any security concerns are found which cannot be resolved, the CITY will not be providing the site-to-site VPN solution.

Roles and Responsibilities:

CITY: The CITY – ITS team coordinates with the TRANSIT PARTNER to set up the site-to-site VPN solution as necessary. The information needed to complete the set-up is requested to the TRANSIT PARTNER as a request form.

CONTRACTOR: The TRANSIT PARTNER shall provide requested network information and resources needed to set up Site-to-Site VPN.

Virtual Private Network (VPN) Software:

The CITY requires the TRANSIT PARTNER to install VPN software on all desktop computers requiring access to the CITY systems for the duration of this agreement. When Site-to-Site VPN has been set up, the VPN software solution serves as a back-up and can be used if any outage occurs due to issues with Site-to-Site VPN.

Roles and Responsibilities:

CITY: The CITY uses two-factor secure VPN which requires the installation of certificates on desktop computers.

- The CITY will provide guidelines and requirements related to the VPN set up to the TRANSIT PARTNER.
- The CITY will provide telephone support.
- The CITY reserves the right to make changes to the VPN software product, functionality and access requirements.

TRANSIT PARTNER: The TRANSIT PARTNER will keep the VPN environment updated for all the users.

- Certificates need to be installed for each user using a workstation, sharing of profiles between multiple users is not permitted.
- The TRANSIT PARTNER workstation must have Anti-Virus software installed per industry standard.
- The software installed shall meet the CITY's guidelines for an Anti-Virus solution.
- The TRANSIT PARTNER shall be responsible for supplying all personnel support required for VPN software installation.
- The TRANSIT PARTNER shall be solely responsible for testing VPN software with their desktop computer software environment in advance of widespread distribution within their organization.
- The CITY will not be held liable for any damage or disruption to any desktop computer or to the TRANSIT PARTNER's data environment because of the installation of VPN software.
- The TRANSIT PARTNER shall support updates to the software and certificates as requested by the CITY in a timely manner.
- To ensure system security for the systems supported by the CITY, the TRANSIT PARTNER staff will be asked to complete the CITY provided Security Awareness Training.

5. Computer Desktops Requirements

The TRANSIT PARTNER is required to provide desktop computers to their employees for non-CITY applications. The CITY only provides limited number of CAD/AVL and Avtec workstations to meet transit operational needs. For all other system and access needs, the TRANSIT PARTNER is responsible for providing the necessary workstations.

6. CITY - Network Infrastructure

The CITY extends the network and infrastructure at support sites for making the required systems accessible for the users at those sites. The Network infrastructure is comprised of the following components and various parts.

Roles and Responsibilities:

CITY: The CITY technical staff is responsible for providing the required infrastructure at the site where the TRANSIT PARTNER is operating from based on the requirements and the guidelines established under this contract.

TRANSIT PARTNER: The TRANSIT PARTNER Information Technology (IT) Specialist will be responsible for providing onsite technical support and will be responsible for all issues related to CITY network access. The TRANSIT PARTNER - Information Technology Specialist will act as CITY's direct contact to address any technical issues that may arise for the duration of the contract. The TRANSIT PARTNER will also be responsible for

keeping the area surrounding to the CITY network infrastructure maintained and accessible at the service site (transit garage).

Structured Cabling: A structured cabling system is defined as the complete collective configuration of cabling and associated hardware at a given site that has been installed to provide a comprehensive telecommunications infrastructure. This infrastructure is intended to serve a wide range of usage, such as to provide telephone service or computer networks, and should not be device dependent.

Roles and Responsibilities:

CITY - ITS:

- Interior and exterior telecommunications system facilities
- The associated backbone cabling
- Telecommunications cabling pathway
- The infrastructure necessary to support the horizontal and riser cabling systems
- The necessary infrastructure to interconnect buildings: including routes, conduit, manholes, pull boxes and building entrances, cables, splices, D-marc points.
- All wiring from the telecommunications closets through the risers and out to the walls are the responsibility of the CITY's ITS.

TRANSIT PARTNER: Any requests for repairs or additions to the current telecommunications wiring within the facility must be made in writing. This request must include the following information:

- Facility Address (support site location)
- Building (within the support site)
- Floor
- Office Location
- Jack Number
- Problem Description

This information must be submitted to the Public Transit, Technology Services Section at 302 North 1st Avenue, 9th floor, Phoenix, Arizona 85003. This information will be logged and submitted to the CITY's Information Technology Services Department. All work and materials shall be performed and provided by the CITY's Information Technology Services Department and in full accord with the requirements of the Arizona Administrative Code, the State Fire Marshall, the Division of Industrial Safety, the National Electric Code and other applicable City and state laws or regulations. Nothing in the specifications shall be construed to permit work not conforming to these codes and orders. The TRANSIT PARTNER will be responsible for all expenses related to additional jacks which will be based on estimates received at the time of request.

If the TRANSIT PARTNER does not comply with the structured cabling guidelines and fails to take immediate action to correct any violations, the CITY may terminate this agreement for default. Additionally, should wiring be found to be installed without notification to the CITY, the TRANSIT PARTNER will be assessed those costs required to restore the infrastructure to its previous condition and correct any damages.

Telecommunications Circuits: Telecommunications circuits are defined as a dedicated, private or leased line on which information is transmitted. The application of standards and guidelines for telecommunications circuits will remain facility sensitive. The size, architecture, location and intended use of a facility will significantly affect the design of the telecommunications circuits for a building or campus.

Roles and Responsibilities:

CITY- ITS: The CITY will provide related information required by the TRANSIT PARTNER that falls within the scope and is not restricted.

TRANSIT PARTNER:

- The details for the specific voice and data circuits are the responsibility of the TRANSIT PARTNER.
- The TRANSIT PARTNER is responsible for obtaining its own telecommunications circuit. These circuits will be allowed to run over existing CITY structured cabling. This will allow the TRANSIT PARTNER to use existing wiring from the telecommunications closets (block and patch panels) out to the wall jacks.
- The TRANSIT PARTNER is responsible for providing onsite technical support. Support personnel will be responsible for all day-to-day issues related to the voice and data communications network and will act as a liaison to the CITY for any break fix or additional connectivity requests.
- Any requirements for repairs or additions to the current telecommunications wiring within the facility must be made in writing. This request must include the following information:
 - Facility Address (garage location)
 - Building (within the garage location)
 - Floor
 - Office Location
 - Jack Number
 - Telephone Number
 - Problem Description

This information must be submitted to the Public Transit Department, Technology Services Section at 302 North 1st Avenue, 9th floor, Phoenix, Arizona 85003. This information will be logged and submitted to the CITY's Information Technology Services Department and work will be conducted as per the structured cabling standards.

If the TRANSIT PARTNER does not comply with the Voice and Data Circuit guidelines and fails to take immediate action to correct the violation, the CITY may terminate the agreement for default. Additionally, should wiring be found to be installed without notification to the CITY, the TRANSIT PARTNER will be assessed those costs required to restore or correct any damages.

7. Communication:

The TRANSIT PARTNER shall provide the CITY with an Internet email address capable of reaching all TRANSIT PARTNER staff. This information will be used to communicate critical CITY system information as needed. The contact email address shall be provided within 30 days after the agreement is signed. The TRANSIT PARTNER shall provide to the CITY the following contact information and communicate changes within one (1) business day for the duration of this contract:

- Local Information Technology contact
- Local TRANSIT PARTNER Operations contact and/or Management contact.

Roles and Responsibilities:

TRANSIT PARTNER: Local Information Technology contact will be the technical contact for any technical coordination between the CITY and the TRANSIT PARTNER.

8. System Maintenance:

The CITY reserves the right to establish and communicate specific dates and times to perform system maintenance. CITY will provide the TRANSIT PARTNER at least a one-week notice in advance of non-emergency scheduled or planned system outage. For routine maintenance, the schedule will be provided after contract award.

In the event of emergency maintenance, the TRANSIT PARTNER will be notified; however, notification may not occur in advance.

9. Technical Support

There are common areas where technical issues may arise:

- VPN log-in
- Software Applications

Information Technology Support Processes and Procedures

Problem	TRANSIT PARTNER Operations Staff	Local TRANSIT PARTNER IT Contacts
---------	-------------------------------------	--------------------------------------

Cannot access the internet	Local TRANSIT PARTNER Information Technology (IT)	To be determined by TRANSIT PARTNER
Cannot log into VPN	Local TRANSIT PARTNER IT	COP Enterprise Help Desk
Cannot log into the CAD/AVL workstation	Local TRANSIT PARTNER IT	Follow the Call Escalation Process
Problem within the CITY Provided Application Software	Local TRANSIT PARTNER IT	Follow the Call Escalation Process

For issues with configuration, application access and function, the TRANSIT PARTNER staff should:

- (1) Contact their Local Information Technology Specialist, local Information Technology Specialist will do first level of troubleshooting and analysis.
- (2) Follow the Call Escalation Chart for Public Transit Application Support
- (3) While the onsite technical staff may have the ability to remotely login and access the network from home, they must provide the necessary 24/7 coverage, which may be inclusive of, but not limited to; being available and 'on-site' for physical testing, troubleshooting, cabling, router or firewall issues that may be occasionally encountered at times. The individual(s) job may not be split amongst other contracts but dedicated solely to the location as specified in this agreement.

The TRANSIT PARTNER is responsible for providing first level maintenance and support to CITY provided equipment. First level hardware support to CITY provided equipment includes, but is not limited to:

- (1) Ensuring appropriate provisions are taken to keep equipment clean and operational
- (2) Diagnosing workstation connectivity issues and escalate as needed
- (3) Validating power to desktop equipment
- (4) Validating application functionality as requested by the CITY
- (5) Coordinating and responding to CITY staff as needed to resolve issues

The TRANSIT PARTNER or associated sub-contractor is responsible to hire an Information Technology Specialist who is local and performs his duties onsite. Various duties of the Information Technology Specialist are listed throughout this contract. Minimum qualifications and requirements are as below:

- The Information Technology Specialist shall have a minimum of three years' information technology experience within the last five years, having supported applications, network, servers, and desktops for a property/operation of similar size and scope.

- The Specialist shall be a local resource who is onsite to support the transit operations, act as a technology liaison between the contractor and the CITY.
- The Specialist shall have experience and expertise to support various Information Technology Administrator functions and the agency shall be able to provide the administrator level permissions for the desktops, servers, network etc to support the technology needs.
- The Specialist shall be available after hours to assist with resolving first level technical issues by remotely coordinating as needed and/or be onsite to address first level technical issues.

10. Data Requirements

The TRANSIT PARTNER must provide any CITY-related data from the systems maintained and managed by the TRANSIT PARTNER. The CITY may request such information in an acceptable format (text or Excel) at any time.

11. Transit Application Plan

The CITY manages the Transit applications used for Transit business. Access to applications requires the TRANSIT PARTNER to follow a written plan for maintaining account access to Transit applications. The TRANSIT PARTNER must fully comply with the security standards associated with access to Transit applications. Additionally, the TRANSIT PARTNER is required to have a formal written plan for maintaining account access to Transit applications and submit the plan to CITY annually for review.

At a minimum, the plan must be updated annually and shall:

- Identify and define goals and objectives and provide tangible evidence of how they are achieved
- Address and be specific to the current Transit applications to be accessed by the TRANSIT PARTNER
- Outline procedures for maintaining accounts, including but not limited to, all on-board systems
- Describe account maintenance procedures
- Adhere to application vendor's requirements for data integrity and application use as indicated in vendor provided System Administrator, Data Administrator and User manual(s)
- Be updated annually to account for industry changes
- Be submitted to the CITY annually in electronic format

12. Training

The TRANSIT PARTNER is responsible for providing comprehensive training to their personnel for operation, administration, and primary troubleshooting of the CITY provided system software. When the CITY allows the TRANSIT PARTNER to provide any additional modules or its

preferred application, the TRANSIT PARTNER will be responsible for providing the CITY staff responsible training on the components and parts in the application. Training may be conducted by the TRANSIT PARTNER, the TRANSIT PARTNER's subcontractors, third-party software suppliers, and/or Original Equipment Manufacturers (OEMs). Additional training requests can be accommodated from the TRANSIT PARTNER based on available resources, at the TRANSIT PARTNER's expense.

The CITY also coordinates the training and testing at the time of system upgrades. The TRANSIT PARTNER is responsible for coordinating their staff's participation at such training and testing.

13. Procedures to operate a CITY maintained Software

Software supported and maintained by the CITY will require the TRANSIT PARTNER to maintain and provide general level Standard Operating Procedures for essential and critical job duties. The amount of detail and length of which would need to be coordinated by end-users and Technology Services. At a minimum, procedures for critical or essential job duties using the CITY software should be clear and concise enough so that other individuals can understand and follow these instructions, should the main individuals performing these tasks be unavailable temporarily or long-term, or through turnover.

Examples of such essential/critical procedures include, but are not limited to:

- Procedures for use HASTUS software for Dispatch purposes.
- Procedure to use Bid Web for Operators.
- CAD/AVL operational procedures.
- Offline probing of shift files for FareGo.
- Updating the master module on the Farebox with a USB drive.

All data, applications, and reports (electronic and hard copy) are the property of the CITY. Transmittal of any electronic or hard copy data, applications and/or reports to any party not directly contracted with or otherwise approved by the CITY is strictly prohibited. Any system documentation request must be submitted in writing to the CITY for review and approval prior to the dissemination of information.

The CITY shall have immediate and unrestricted access to all CITY provided hardware and software and will conduct audits on a regular basis. Any hardware and software deficiencies identified (i.e., items not found to be following the CITY's information technology policies, procedures and/or A.R.s must be corrected within five (5) business days of inspection).

The CITY must comply with federal and internal auditing requirements as part of the system funding requirements. TRANSIT PARTNERS shall assist the CITY in maintaining compliance

with all Federal and internal auditing requirements such as inventory and providing information related to CITY assets, as needed.

CAD/AVL Communications System

The regional Transit Communications System is comprised of various parts, including dispatch equipment, onboard equipment, cellular routes, radio communication equipment, associated infrastructure at the garages and backend infrastructure. In addition, the system includes various software associated with these various parts. The CITY is the host of this regional system and coordinates with its TRANSIT PARTNERS to optimize system utilization.

The CITY has a sixteen-year agreement (#144644) with Clever Devices to provide system support and maintenance. Any support from Clever Devices is based on the CITY's agreement with Clever Devices and any associated Change Orders. The CITY is limited to providing the support and maintenance outlined in this agreement.

Dispatch Equipment

The regional CAD/AVL system utilizes dispatch consoles to communicate via voice and data between dispatch and bus operators. The CITY supplies the dispatch console equipment that is comprised of two physical workstations with monitor and associated keyboard and mouse. The TRANSIT PARTNER shall not relocate dispatch consoles and/or hardware without prior approval from the CITY. The CITY provides one dispatch console for smaller sites, the agency is responsible to determine if an additional console is required for redundancy purposes and to shorten the down time in case of hardware failures for the one console provided.

Roles and Responsibilities:

The TRANSIT PARTNER shall assign an Information Technology Specialist to provide first level support to dispatch console(s) equipment. The TRANSIT PARTNER is responsible for retaining knowledgeable staff that can provide first level support for the system.

Dispatch console training will be offered at the CITY's discretion and TRANSIT PARTNER staff participation is mandatory.

TRANSIT PARTNER first level dispatch workstation support expectations are as follows:

DISPATCH CONSOLE MAINTENANCE AND SUPPORT REQUIREMENTS	
OVERVIEW	

	The TRANSIT PARTNER shall maintain all CITY provided dispatch equipment operational through the life of this agreement.
	The TRANSIT PARTNER shall ensure power availability to equipment.
	The TRANSIT PARTNER is responsible for providing 1 st level supporting to dispatch workstation as required by the CITY.
	The TRANSIT PARTNER shall power off units and restart console equipment as needed by the CITY during upgrades and/or resolving system issues.
	The TRANSIT PARTNER shall verify that cables are connected per instructions provided by the CITY.
	First level support documentation, provided by CITY, is subject to change at the CITY's discretion.
	The TRANSIT PARTNER shall perform system login, as requested by the CITY, to validate if system is functional.
	The TRANSIT PARTNER shall utilize the CITY's SOP to request second level support.
	The TRANSIT PARTNER shall escalate technical issues that are not resolved by first level support to the CITY.
	The TRANSIT PARTNER shall properly fasten all equipment cables to prevent damage.
	<p>The TRANSIT PARTNER is responsible for replacing dispatch equipment that is damaged due to neglect. Examples of neglect described below:</p> <ol style="list-style-type: none"> 1. Water damage 2. Physical damage 3. Breaking or Removing Vendor seal 4. Opening Proprietary Components 5. Graffiti 6. Removing serial/model information from unit <p>The CITY will make all final determinations about equipment damage. All replacement components shall be replaced according to the vendor provided hardware compatibility equipment list.</p>
	The CITY will determine optimal dispatch equipment lifecycles.
	<p>Dispatch radio equipment under the service and support contract is as follows:</p> <ol style="list-style-type: none"> 1. Avtec Scout Plus Media Tower 2. Single PTT footswitch 3. Headset Jack box 4. PTT desk microphone 5. Dual Scout speakers

	Dispatch workstation equipment under the service and support contract is as follows: 1. Clever Workstation 2. AVTEC Workstation 3. Dell 43in Monitor 4. Keyboard & Mouse
	TRANSIT PARTNER shall not install any printer devices without prior authorization from the CITY.
	CITY shall provide printer options if requested by its TRANSIT PARTNER.
	TRANSIT PARTNERS are responsible for all printer device costs.
	TRANSIT PARTNERS shall provide all printer device support and maintenance to support their printing needs.

Onboard Equipment

The regional CAD/AVL system utilizes onboard equipment to communicate between dispatch and bus operators as well as provide for other communications such as monitoring vehicle performance and vehicle tracking. This equipment is specialized and requires multiple technical teams to ensure that the system is optimally calibrated and operational.

The TRANSIT PARTNER is required to assign an Electronic Technician to provide first level support to onboard electronic equipment. The TRANSIT PARTNER is responsible for retaining knowledgeable staff that can provide first level onboard equipment support. Onboard equipment training will be offered at the CITY’s discretion and the TRANSIT PARTNER attendance is mandatory.

Roles and Responsibilities:

The TRANSIT PARTNER first level support expectation for onboard equipment is as follows:

ON-BOARD SYSTEM SUPPORT REQUIREMENTS	
	OVERVIEW
	The TRANSIT PARTNER is responsible for maintaining, diagnosing, and repairing all onboard equipment.

	<p>Onboard equipment to be maintained and supported includes, but is not limited to, the following components:</p> <ol style="list-style-type: none"> 1. Intelligent Vehicle Unit 2. Mobile Digital Terminal 3. Handheld Mic 4. Emergency Alarm (EA) 5. Automatic Passenger Counter (APC) system 6. Passenger Information Display (PID) 7. ODK 8. Mobile Radio 9. 8-port Ethernet Switch 10. Antennas: Radio, Smart Yard, and 6-band (WLAN, Cellular, GPS) 11. Onboard Surveillance System 12. System cables, wire harnesses 13. Cabinet exhaust fans 14. Mobile Router 15. URLC 16. DVR 17. Exterior rear, curb side, and head sign 18. Smart Yard Tag 19. Automatic Volume Control Microphone
	<p>The TRANSIT PARTNER is responsible for understanding all aspects of onboard equipment maintenance and repair.</p>
	<p>The TRANSIT PARTNER shall ensure onboard components are maintained to OEM specifications.</p>
	<p>The TRANSIT PARTNER is responsible for participation in ongoing training for onboard equipment maintenance.</p>
	<p>The TRANSIT PARTNER shall coordinate with the CITY prior to installing third party equipment that may compromise CAD/AVL onboard communications systems.</p>
	<p>The TRANSIT PARTNER shall use only CAD/AVL vendor approved hardware when replacing cables, wire harnesses, and/or additional onboard components.</p>
	<p>The TRANSIT PARTNER shall maintain all system wire fasteners and/or clamps as installed by CAD/AVL vendor.</p>
	<p>The TRANSIT PARTNER shall maintain vehicle's electrical systems in operational condition to support all onboard components' power requirements.</p>
	<p>CITY and TRANSIT PARTNERS determine the layout of all fonts, key assignments, menu structures, colors, and screen layouts. Future changes to existing MDT display may be possible. If the TRANSIT PARTNER requests fixed end menu MDT layout modifications, the TRANSIT PARTNER will be responsible for any cost incurred, if any.</p>
	<p>The TRANSIT PARTNER shall maintain and not remove any protection mechanisms in place to guard against Radio Frequency Interference (RFI) and Electromagnetic Interference (EMI) emission sources as well as internal conductive or inductive emissions.</p>
	<p>The TRANSIT PARTNER shall not use wire splices to repair onboard system communication issue. The TRANSIT PARTNER shall repair damaged wire by replacing the entire cable.</p>

	The TRANSIT PARTNER shall maintain, at its own expense, a spare ratio of CAD/AVL RMA warranted components.
	The TRANSIT PARTNER shall maintain, at its own expense, a spare ratio of all non- warranted CAD/AVL RMA components such as cables, GPS, antennas, wire harnesses, fasteners, and fuses per OEM specifications.
	Onboard components failure, resulting from the TRANSIT PARTNER's neglect is not covered under the RMA process. Examples of neglect are described as follows: <ol style="list-style-type: none"> 1. Water damage 2. Physical damage 3. Breaking or Removing Vendor seal 4. Opening Proprietary Components 5. Graffiti 6. Removing Serial/Model information from unit <p>The TRANSIT PARTNER will be responsible for replacing any components damaged due to neglect, at its own expense.</p>
	The TRANSIT PARTNER understands that first level onboard support documentation, provided by the CITY, is subject to change at the CITY's discretion.
	The TRANSIT PARTNER shall not tighten cable ties to cause indentation and damage to the insulation.
	The CITY requires its CAD/AVL vendor to deliver all onboard equipment with component cables to be clearly indexed, labeled and schematically identifiable. The TRANSIT PARTNER will maintain an active role in ensuring onboard component cabling is maintained as delivered by the CAD/AVL vendor.
	The TRANSIT PARTNER shall maintain an active role in ensuring onboard component cabling repairs remain insulated and protected as delivered by CAD/AVL vendor.
	The TRANSIT PARTNER shall be available to address onboard equipment issues during CITY business hours.

Bus in Box/ Bus on Board (BIB/BOB) Equipment

The regional CAD/AVL system utilizes BIB/BOB equipment to be used as training equipment for bus operators and electronic techs. The equipment also allows for the testing of firmware software to onboard components. This equipment is specialized and requires multiple technical teams to ensure that the system is optimally calibrated and operational.

Roles and Responsibilities:

The TRANSIT PARTNER first level support expectation for BIB/BOB equipment is as follows:

BIB/BOB SYSTEM SUPPORT REQUIREMENTS	
	OVERVIEW
	The TRANSIT PARTNER is responsible for maintaining, diagnosing, and repairing all BIB/BOB equipment.
	The TRANSIT PARTNER is responsible to ensure BIB/BOB equipment is always power on.
	The TRANSIT PARTNER is responsible to confirm BIB/BOB devices have active cellular service during the life of the CAD/AVL contract.
	The TRANSIT PARTNER is responsible to find a secure location to store BIB/BOB equipment.

Return Merchandise Authorization (RMA) Process

The CITY contracts with the CAD/AVL vendor to provide a comprehensive onboard extended warranty coverage package for certain components. The covered components are described in this section. The term “covered” means that components will be either be repaired or replaced by the CAD/AVL vendor.

The TRANSIT PARTNER is required to assign an Electronic Technician to provide first level support for onboard electronic equipment. The TRANSIT PARTNER must use the RMA process and manage all aspects of repair and replacement requests. The TRANSIT PARTNER is responsible for retaining knowledgeable staff who can properly utilize the RMA process.

Roles and Responsibilities:

The expectation from the TRANSIT PARTNER for the RMA process is as follows:

RETURN MERCHANDISE AUTHORIZATION (RMA) REQUIREMENTS	
	OVERVIEW
	The AGENCY contractor is responsible for shipping costs of the warranty parts to CAD/AVL vendor. CAD/AVL vendor is responsible for return shipping costs back to the AGENCY.
	The shipping cost for all non-warranty repairs/replacement will be the responsibility of the TRANSIT PARTNER.
	The TRANSIT PARTNER can contact the vendor at any time during the RMA process to check on the status of equipment.

	The TRANSIT PARTNER shall properly follow shipping instructions so that the vendor does not mix COP and TRANSIT PARTNER equipment during RMA repairs.
	<p>Components covered under the RMA extended maintenance and support service agreement are as follows:</p> <ol style="list-style-type: none"> 1. Mobile Gateway Router 2. Multiband Antenna 3. GH7 with Operator Interface 4. In-Vehicle Unit (INV4, IVN4R) 5. Transit Control Head (TCH) 8. Universal Radio Logic Controller (URLC) 9. AVC Mic 10. Covert Microphone 12. Audio Handset 12. Automatic Passenger Counter (APC) Analyzer (Hella) 13. Automatic Passenger Counter (APC) Sensor (Hella) 14. Interior head sign 15. Mobile Radio
	The TRANSIT PARTNER, at their own expense, shall maintain a local pool of spare parts to repair failed components.
	The TRANSIT PARTNER shall return defective components to the CAD/AVL vendor using the RMA process.
	The TRANSIT PARTNER shall understand that no components will be accepted without a Return Merchandise Authorization (RMA) number.
	Equipment not installed on retrofitted service vehicles by Clever Devices is not covered under the RMA warranty.
	The CAD/AVL vendor shall respond to RMA number request within 30 business days. RMA numbers can be obtained from the vendor's customer service department.
	TRANSIT PARTNER shall only send warranty RMA component to the CAD/AVL vendor. TRANSIT PARTNER shall be responsible for all shipping costs related to parts sent that are not covered under the RMA warranty coverage.
	TRANSIT PARTNER shall have assigned personnel, who will oversee and manage the RMA process. The person(s) will be responsible to maintain all RMA related data and send the report to the CITY on monthly basis. The report will help the CITY to monitor the performance of CAD/AVL vendor.
	TRANSIT PARTNER shall maintain an up-to-date RMA list of all parts submitted via the RMA process. The RMA list should include, but not limited to, the following items such as shipping tracking numbers, RMA number, serial part number, date submitted, date received, and part description.

Mobile Device

The regional CAD/AVL system allows for a mobile device option to enhance communications for field personnel. The CITY maintains a secure APN for mobile device network access into

the CAD/AVL backend systems. All CAD/AVL mobile devices must reside on this secure APN to utilize the CAD/AVL mobile applications.

Roles and Responsibilities:

The CITY shall be responsible for activation service and performing the initial provision of the tablet device. The CITY shall be responsible for SIM activation and will require the TRANSIT PARTNER to fill out a Security Access Form for device activation. The CITY will oversee the management of SIM service and will run regularly scheduled auditing reports.

The TRANSIT PARTNER Information Technology Specialist will communicate all CAD/AVL application tablet issues or relevant Mobile Device Manager (MDM) requests to the CITY. The TRANSIT PARTNER’s Information Technology Specialist will be responsible to provide all first level tablet device support. This includes, but not limited to, local password issues, hardware failure, data backups, damage to the device, warranty related issues, and third-party application support.

The expectation of the TRANSIT PARTNER for the mobile device is as follows:

MOBILE DEVICE REQUIREMENTS	
	OVERVIEW
	The TRANSIT PARTNER shall utilize the CITY’s process to request for access of the mobile device CAD/AVL applications.
	The TRANSIT PARTNER is responsible for purchasing the mobile device and any warranty.
	The TRANSIT PARTNER is responsible for cellular services fees.
	The TRANSIT PARTNER understands that the CITY reserves the right to revoke access to the mobile applications for any reason such as network security noncompliance.
	The TRANSIT PARTNER understands that only approved mobile devices will be supported.
	The TRANSIT PARTNER is responsible for maintaining, diagnosing, and repairing all tablet equipment.
	The TRANSIT PARTNER’s Information Technology Specialist will escalate only CAD/AVL system related mobile application issues to the CITY.
	The TRANSIT PARTNER understands that the CITY reserves the right to remove all software and lock any tablet device which can potentially compromise the CITY network.
	The TRANSIT PARTNER is responsible to ship mobile devices to the CITY for activation or CAD/AVL specific application support.
	The TRANSIT PARTNER understands that the mobile devices reside on the CITY’s secure APN for hosting business CAD/AVL approved mobile applications. Any other third-party applications may not work due to network security restrictions.

	The TRANSIT PARTNER understands that the CITY must authorize all third-party mobile application requests prior to use on the APN.
	The TRANSIT PARTNER understands that first level mobile support documentation, provided by CITY, is subject to change at CITY's discretion.
	The TRANSIT PARTNER shall be available to address mobile device equipment issues during CITY work hours.

Out of Scope Onboard Integration with Third Party Vendor

The CITY hosts the backend system and is responsible for the integrity of the entire CAD/AVL system and any modifications, additions and upgrades must be authorized by the CITY. Any system that will connect directly or indirectly with the CAD/AVL system must be approved by the City prior to commencing work.

THIRD PARTY INTERATION	
	OVERVIEW
	The TRANSIT PARTNER will coordinate with the CITY to ensure there are no system conflicts with new third-party system integration projects.
	The TRANSIT PARTNER shall not proceed with any integration work until the CITY has reviewed and provided authorization.
	The TRANSIT PARTNER understands that failure to notify the CITY of third-party integration projects can result in charges to remediate any issues that arise.
	The TRANSIT PARTNER shall not install equipment on the vehicle that can interfere with the existing CAD/AVL communications system.

Digital Video Recorder System (DVRS)

The CAD/AVL onboard equipment integrates with the Apollo Digital Video Recording System (DVRS) to improve maintenance and operational functions such as health status and live look-in capabilities. The onboard surveillance systems consist of interior and/or exterior mounted cameras used to help mitigate insurance claims for liability and personal injury, resolve customer service issues, address crime and security problems, mitigate graffiti, investigate auto/pedestrian related incidents, and review operations. The DVRs are not specifically intended to monitor bus operator behavior.

Roles and Responsibilities:

The TRANSIT PARTNER is required to assign a representative to provide initial troubleshooting support for the DVR systems. The TRANSIT PARTNER is responsible for retaining knowledgeable staff who can provide first level DVR maintenance and support.

The expectation from the TRANSIT PARTNER for DVR systems maintenance and support is as follows:

DVR Maintenance and Support Requirements	
	OVERVIEW
	The TRANSIT PARTNER shall maintain digital video recording systems integration as recommended by the CAD/AVL vendor and OEM. Failure to follow OEM DVR integration requirement may result in loss of system functionality.
	The TRANSIT PARTNER shall use the CITY provided surveillance system software to download video.
	The TRANSIT PARTNER shall not proceed with any integration work until the CITY has reviewed the request and provided authorization.
	The TRANSIT PARTNER is responsible for maintaining all system equipment, documentation.
	The TRANSIT PARTNER is responsible for supplying system diagnostic laptop(s) and obtaining any system software necessary for maintaining such systems to OEM specifications.
	The TRANSIT PARTNER shall maintain DVR configuration files as recommended by the CITY.
	The TRANSIT PARTNER shall maintain all integration components as requested by the CITY.
	The TRANSIT PARTNER shall utilize the City Return Merchandise Authorization (RMA) process to repair DVR warranted components.
	The TRANSIT PARTNER is responsible for supplying all DVR ancillary components.
	The TRANSIT PARTNER shall follow OEM recommendations for repairing connection points, single wire, and wiring harnesses.
	The TRANSIT PARTNER shall be available to address onboard DVR equipment issues reported during CITY work hours.
	The TRANSIT PARTNER understands that the RMA warranty covers original CAD/AVL installations of DVR equipment.
	TRANSIT PARTNER is responsible for maintenance and supporting all surveillance equipment to include the initial 1 year bus OEM warranty and for the life of the service vehicle.

RADIO

The regional CAD/AVL system utilizes an onboard radio for voice and data communications. This device has administrative and hardware elements that must be managed properly to ensure the device is optimized to meet the CITY's functional and asset management requirements.

Roles and Responsibilities:

The TRANSIT PARTNER shall utilize the CITY's established escalation procedure to request support for radio issues. The TRANSIT PARTNER's staff shall perform first level troubleshooting of the radio. The TRANSIT PARTNER should have experience with commercial Land Mobile Radio (LMR) technology. The TRANSIT PARTNER is

responsible for retaining knowledgeable staff who can provide first level onboard mobile router device issues.

TRANSIT PARTNER expectations for radio maintenance and support are as follows:

Radio Support Requirements	
	OVERVIEW
	The TRANSIT PARTNER shall not install any onboard technology that will negatively impact radio communications.
	The TRANSIT PARTNER shall notify the CITY when production radio device is relocated.
	The TRANSIT PARTNER shall follow radio configuration programming as defined by the CITY.
	The TRANSIT PARTNER understands that first level radio support documentation, provided by CITY, is subject to change at the CITY's discretion.
	The TRANSIT PARTNER shall be available to address radio issues during CITY work hours.
	The TRANSIT PARTNER is responsible for ancillary components, including their support and maintenance.
	The TRANSIT PARTNER shall follow vendor RMA procedures for repairing radios.
	The TRANSIT PARTNER shall follow CAD/AVL vendor procedures for providing maintenance and support.
	The TRANSIT PARTNER shall supply their own handheld radios and hardware support.
	The TRANSIT PARTNER shall be provided with radio software support for up to 10 handheld radios by the CITY.
	The TRANSIT PARTNER shall submit all new radio equipment purchase requests to the CITY prior to ordering equipment. All radio equipment must be on the CITY's minimum radio hardware compatibility list to ensure that the equipment will function properly.
	The TRANSIT PARTNER shall be physically available to address radio device equipment issues during CITY work hours from 8:00 AM – 5:00 PM.

Garage Infrastructure

The regional CAD/AVL system uses a Real-Time Locator System (RTLS) and a wireless network comprised of several Access Points (AP) and network switches. The RTLS system allows for enhanced tracking of vehicles, while the vehicles are still on the premises. The AP allows for two-way bulk data transfers for vehicles to the central CAD/AVL servers. This equipment is specialized and requires multiple technical teams to ensure the system is optimally calibrated and operational.

Roles and Responsibilities:

The TRANSIT PARTNER shall utilize the CITY’s established helpdesk procedure to request 2nd level Garage Infrastructure support. The TRANSIT PARTNER’s Information Technology Specialist will perform first level troubleshooting and then submit a service request to the CITY for escalated support requests.

The TRANSIT PARTNER is required to assign an Information Technology Specialist to provide initial troubleshooting support for the RTLS and AP systems. The Information Technology Specialist should have expertise in the field of information networking. The TRANSIT PARTNER is also responsible for retaining knowledgeable staff who can provide first level garage infrastructure support. The Information Technology Specialist should be on-site available for escort and access to the facility as needed by the CITY.

The TRANSIT PARTNER must fulfill the following role and responsibilities relative to first level support for garage infrastructure:

Garage Infrastructure Support Requirements	
	OVERVIEW
	The TRANSIT PARTNER shall not install any technology on the property that will negatively impact CAD/AVL garage network communications.
	The TRANSIT PARTNER shall not proceed with any integration work until the CITY has reviewed and provided authorization.
	The TRANSIT PARTNER understands that failure to notify the CITY of third-party garage network projects can result in charges incurred to the TRANSIT PARTNER.
	The TRANSIT PARTNER’S IT representative shall perform initial troubleshooting which is limited to the following: <ol style="list-style-type: none">1. Validate house power to the devices2. Reset power breakers as needed3. Inform the CITY of any damage to RTLS or AP equipment4. Performed site inspections as requested by the CITY to ensure all RTLS/AP equipment cabinets are secure and locked.
	Network components failure, resulting from the TRANSIT PARTNER’s neglect is not covered by the CITY. Examples of neglect are described as follows: <ol style="list-style-type: none">1. Water damage2. Physical damage3. Breaking or Removing Vendor seal(s)4. Opening Proprietary Components5. Graffiti6. Removing Serial/Model information from unit7. Animal dropping, chewed wires, nests damage <p>The TRANSIT PARTNER will be responsible for replacing any components damaged due to neglect at its own expense. The TRANSIT PARTNER will be charged for equipment that has been damaged due to neglect.</p>

	The TRANSIT PARTNER shall remediate any wildlife issues such as birds or insects, that can damage all network equipment located in network cabinets under garage canopies and buildings.
	The TRANSIT PARTNER shall remediate any weather issues that can damage network equipment located in network cabinets under garage canopies and buildings.
	The TRANSIT PARTNER understands that the first level garage support documentation, provided by the CITY, is subject to change at the CITY's discretion.
	The TRANSIT PARTNER shall be available to address network device equipment issues during CITY business hours.

Mobile Router

The regional CAD/AVL system uses an onboard mobile router for voice and data communications. This device has administrative and hardware elements that must be managed properly to ensure device is optimized to meet the CITY's functional and asset management requirements.

Roles and Responsibilities:

The TRANSIT PARTNER shall utilize the CITY's established escalation procedure to request support for mobile router issues. The TRANSIT PARTNER's staff shall perform first level troubleshooting of the mobile router device. The TRANSIT PARTNER should have a background in the information network field. The TRANSIT PARTNER is responsible for retaining knowledgeable staff that can provide first level onboard mobile router device issues.

TRANSIT PARTNER responsibilities for the mobile router are as follows:

Mobile Router	
	OVERVIEW
	The TRANSIT PARTNER shall not install any onboard technology that will negatively impact the CAD/AVL system mobile router.
	The TRANSIT PARTNER shall notify the CITY prior to relocating onboard mobile router(s).
	The TRANSIT PARTNER understands that first level mobile router support documentation, provided by CITY, is subject to change at CITY's discretion.
	The TRANSIT PARTNER shall be available to address mobile router issues during the CITY work hours.
	The TRANSIT PARTNER shall follow the CITY's standard operating procedures for SIM card management.
	The TRANSIT PARTNER shall follow the CAD/AVL vendor's procedures for replacing mobile router device.
	The TRANSIT PARTNER shall follow the CAD/AVL vendor's procedures for providing mobile router maintenance and support.

New Vehicle Builds

For new vehicles, the CAD/AVL onboard equipment comes with a 1-year repair or replacement warranty from the vehicle manufacturer. The TRANSIT PARTNER shall submit failed onboard components through the established RMA process.

Fleet Manager

The CAD/AVL Fleet Manager application supports the overall CAD/AVL system by keeping an inventory of existing vehicles and their associated specifications. Any vehicle with onboard CAD/AVL hardware must be recorded within Fleet Manager. This application allows for custom attributes, enabling the tracking of components on each vehicle. Additional attributes can be added by request.

Roles and Responsibilities:

Fleet Manager performs a crucial role in the daily operation of the CAD/AVL system. Due to its close integration with CAD/AVL, the ability to access the system as well as the ability to perform updates, shall be limited to key personnel. The TRANSIT PARTNER must have training to use the system before being granted access.

The TRANSIT PARTNER's responsibilities for Fleet Manager support is as follows:

Fleet Manager Support Requirements	
	OVERVIEW
	The TRANSIT PARTNER shall refer any requests for additional specifications/attributes to the CITY. The CITY is responsible for creation of all attributes.
	The TRANSIT PARTNER shall enter any data into the system for their own vehicles.
	The TRANSIT PARTNER shall not create, delete, or modify any vehicle that does not fall within their purview. All CITY vehicles are the responsibility of the CITY.
	The TRANSIT PARTNER shall enter all vehicle update pertaining to garage movements prior to performing the physical move.
	The TRANSIT PARTNER shall ensure data normalization standards are kept for all vehicles.
	The TRANSIT PARTNER shall request access only for those individuals responsible for their respective fleet.
	No person shall be allowed access to perform updates within the system without the express permission and agreement by both the TRANSIT PARTNER and the CITY.
	The TRANSIT PARTNER shall report any data discrepancies or other issues immediately to the CITY and CAD/AVL vendor.

Communications System Software

Along with various hardware components, the Communications system comprises of various software interfaces.

System Access: Along with access requirements specified under the General Requirements section, there are additional requirements for CAD/AVL components access. The SAF procedure includes these requirements as well. The SAF has a specific procedure for submitting the “Employee Feed” file for employee access. The SAF also includes a section for reports access. The Agency staff is required to follow the defined SAF procedure and complete the SAF correctly and completely to gain the required access to the system. Additional details related to system access and Employee Feed file will be available in the system documentation.

Roles and Responsibilities:

TRANSIT PARTNER: The following functions are the responsibility of TRANSIT PARTNER local Information Technology Specialist:

CAD/AVL related operation functions: (examples below, this is not an exhaustive list)

- Modifying AVL configuration views and Non-CAD/AVL functions
- Saving print screen images to an external data storage device (i.e. USB drive)
- First level troubleshooting for the issues reported by the TRANSIT PARTNER staff
- Providing support during any system outages
- Providing resources, administrative permissions, necessary tools to assist with efficient and timely system troubleshooting activities

CAD/AVL and other City supported system user manuals are accessible on the CITY TRANSIT PARTNER and Regional TRANSIT PARTNER’s web page.

CITY: The City is responsible for resolving any CAD/AVL or Communications System-related issues, that stay unresolved after the First level efforts by TRANSIT PARTNER Information Technology Specialist. Such issues should be reported by the TRANSIT PARTNER Information Technology Specialist, with all pertinent details to help in the process of further troubleshooting the issue(s).

HASTUS (Scheduling and Dispatch System)

The CITY uses HASTUS as the Scheduling and Dispatch system. The system is available for use by the TRANSIT PARTNER as currently configured. Modifications to the existing system are out of scope. Any modifications, enhancements or upgrades required of the system to accommodate the TRANSIT PARTNER’s

business needs can be submitted to the CITY for a review, if needed. If decided that the changes are necessary to gain efficiencies, and the changes do not cause conflict in any other operations, the TRANSIT PARTNER will be responsible for any costs incurred for the system update as well as staff time for the implementation.

For any tasks that require the TRANSIT PARTNER to provide data fed into HASTUS, the TRANSIT PARTNER shall provide the associated data in a HASTUS acceptable format.

HASTUS Dispatch is extensively dependent upon Calendar Week designation. The CITY's current HASTUS configuration will only accommodate two Calendar Weeks: "Monday to Sunday" or "Sunday to Saturday". The TRANSIT PARTNER must utilize one of these two options to effectively use the system. The CITY will not accommodate a different Calendar Week within HASTUS.

Other modules included with HASTUS Dispatch are Bid Web and Sign-in/Sign-out. The TRANSIT PARTNER can utilize these modules as provided by the CITY. The modules allow for bus operators to use an automated Sign-in/Sign-out console for their shifts start and end, and to Bid for their work assignments, vacations and holidays.

Roles and Responsibilities:

TRANSIT PARTNER:

- The TRANSIT PARTNER Information Technology Specialist will serve as First level support for any HASTUS related issues at the TRANSIT PARTNER site.
- The TRANSIT PARTNER Information Technology Specialist will be responsible for communicating technical issues to the CITY, when determined that it needs the CITY's assistance to resolve.
- The TRANSIT PARTNER Information Technology Specialist will be responsible for making sure that the technical environment for HASTUS is always up to date and does not cause any interference in the users' ability to effectively use the system. This includes, but is not limited to, ensuring that the VPN environment is up-to-date, and the network is performing as expected.
- The TRANSIT PARTNER Information Technology Specialist shall be available at the time of any system outages and be the Primary Contact for the CITY to help with troubleshooting as needed.
- During the term of the agreement, if any upgrades/modifications are made to HASTUS, the TRANSIT PARTNER shall support the CITY as follows:
 - Assign sufficient staff resources to provide input during requirements gathering or specifications study for the software
 - Attend meetings and provide feedback during various stages of the upgrade

- Assign sufficient resources to perform any necessary testing of the software upgrade
- Support a successful and timely software upgrade

CITY: The CITY is responsible for resolving any HASTUS-related issues that are specific to HASTUS; The CITY is not responsible for resolving issues relative to the technical resources provided by the TRANSIT PARTNER.

- The CITY contracts with the vendor GIRO Inc. for the support and maintenance of HASTUS. The support from GIRO is limited to business hours Monday – Friday inclusively from 9:00 a.m. to 5:00 p.m. (E.S.T.) excluding Quebec public holidays. Any issues that need assistance from GIRO but are reported during after- hours and holidays, may require additional time for resolution. It is essential that the TRANSIT PARTNER reports the issues in a timely manner. The support from GIRO is based on the CITY’s maintenance and support agreement with GIRO Inc. The CITY is limited to this agreement for any requested support.
- The TRANSIT PARTNER must follow the Call Escalation chart provided by the CITY to report any HASTUS-related issues.
- The TRANSIT PARTNER must have a business continuity plan in case of any emergencies, i.e., when HASTUS is not available for any reason.

System Access: All access requests are made through the SAF procedure. Please see the System Access section under “General Requirements” in this document.

Training

The CITY will coordinate with GIRO to provide training at the time of system changes and upgrades. The TRANSIT PARTNER will be given the opportunity to attend the training and the TRANSIT PARTNER staff who will be utilizing the training, must attend the training. This will help the TRANSIT PARTNER staff to use the system correctly and efficiently. The TRANSIT PARTNER shall use their internal staff expertise to train any new staff. New staff hired to use any components of HASTUS must be trained by the TRANSIT PARTNER team. Additional training requirements from the TRANSIT PARTNER can be coordinated with the CITY, at the TRANSIT PARTNER’s expense.

FCS/FareGo (Fare Collection System)

The CITY hosts the Regional Fare Collection System, which is comprised of various parts, including onboard equipment, vaulting equipment, vaulting workstations, and associated infrastructure at the garages and back-end servers.

Onboard Equipment

The regional Fare Collections System uses farebox equipment to store, process, and validate all vehicle transactions. These transactions are held locally on each farebox while the vehicle is in service and then uploaded to the central system when the vehicle is in the garage. This process involves fareboxes, Access Points, a vault server, workstations, and cash vaults. The TRANSIT PARTNER shall not relocate hardware unless approval has been granted by the CITY and the vendor.

Roles and Responsibilities:

The TRANSIT PARTNER's responsibilities for farebox maintenance and support is as follows:

Radio Support Requirements	
	OVERVIEW
	The TRANSIT PARTNER shall not install any onboard technology that will negatively impact the farebox system and/or fare communications.
	The TRANSIT PARTNER shall follow FCS vendor procedures for providing maintenance and support.
	The TRANSIT PARTNER shall follow RMA vendor procedures for repairing fareboxes.

EXHIBIT 26
SUBSTANCE ABUSE POLICY



City of Phoenix

ADMINISTRATIVE REGULATION	A.R. NUMBER 2.324 Revised
	FUNCTION Human Resources and Payroll Page 1 of 10
SUBJECT POLICY ON ALCOHOL AND SUBSTANCE USE AND ABUSE	EFFECTIVE DATE October 24, 2022
	REVIEW DATE

Summary of Changes

This Administrative Regulation was last revised in 2021. This AR has been revised to clarify the requirements of the federal Drug-Free Workplace Act of 1988.

I. PURPOSE

The City of Phoenix (“City”) recognizes that its employees are its most important resource. The purpose of this AR is to outline the City policy regarding alcohol and substance use and abuse, and to provide guidance to supervisors in addressing these issues.

In 1988, Congress enacted the Drug-Free Workplace Act (“Act”). The Act requires that an organization receiving federal grants maintain a drug-free workplace.

Under the Act, as a condition of employment, each employee must abide by the terms of the following Drug-Free Workplace Statement:

Employees are prohibited from engaging in the unlawful manufacture, distribution, dispensation, possession, or unauthorized use of a controlled substance in the workplace. Employees must notify the City in writing of a conviction for violating any criminal drug statute in the workplace no later than 48 hours after the conviction.

A violation of this Statement is grounds for discipline up to and including dismissal.

The City also recognizes that alcohol and substance abuse may sometimes be successfully treated, enabling the employee to return to a satisfactory job performance level.

II. SCOPE

A. This AR applies to all City employees.

B. City Departments, including but not limited to Fire, Police, Aviation and Water, may have specific government or departmental regulations governing substance use and abuse. In these cases, their employees are also subject to those departmental regulations.

- C. All employees are prohibited from using, possessing or being impaired by marijuana while conducting City business; on business hours; on overtime; on paid standby/on-call duty; on lunch and breaks; or at a City worksite.
- D. Employees who occupy positions regulated by the federal government and certain federally funded positions are subject to specific City and federal requirements and procedures related to substance use and abuse. For example, the Federal Motor Carrier Safety Administration (FMCSA) policy that governs the City's CDL drivers and the Federal Aviation Administration policy that governs employees who service/repair or operate aircraft prohibit the on-duty or off-duty use of controlled substances, including marijuana.
- E. Employees who possess firearms or ammunition as part of their job duties (e.g., sworn ranks in the Police Department and AZ Post Certified Fire Department arson investigators) are prohibited from using controlled substances, including marijuana, on or off duty.
- F. Other Police Department positions, including positions in the Crime Lab, Communications and Property Management are also prohibited from using controlled substances, including marijuana, on or off duty. The Police Department's Operations Orders list specific positions that are prohibited from using marijuana on or off duty.
- G. Employees who do not occupy positions that prohibit the off-duty use of marijuana must not use marijuana off duty in any way that could cause impairment at work or would adversely impact job safety, job performance, or customer service.

III. POLICY

- A. It is the employee's responsibility to demonstrate satisfactory job performance at all times.
- B. The City recognizes that alcohol and substance use and abuse may have an adverse effect on job performance.
- C. Employees are prohibited from reporting to work when their mental or physical capacities are impaired by alcohol or any substance, including but not limited to: over-the-counter medications, prescription medications, marijuana, controlled substances, or any synthetic or designer drugs that mimic the effects of controlled substances. Employees should discuss the potential side effects of their medications with their medical providers. Reporting to work impaired may subject the employee to appropriate disciplinary action.
- D. Under no circumstance will an employee be allowed to operate equipment or drive a motor vehicle when there is a good faith belief that the employee's ability to do so is impaired.
- E. The use, possession, sale, transfer, or purchase of alcohol, human growth hormones, marijuana in any form, or controlled substances without a valid prescription are prohibited whenever an employee is: conducting City business; on business hours; on overtime; on paid standby/on-call duty; on lunch and breaks; or at a City worksite. Controlled substances include, but are not limited to: anabolic steroids, Oxycontin, Morphine, Percocet, Demerol, Valium, Soma, Ambien, etc. or any synthetic or designer drugs that mimic the effects of a

controlled substance. Any such use, possession, sale, transfer or purchase shall be grounds for discipline up to and including dismissal.

- F. The use or possession of controlled substances with a valid prescription may be permissible if the substance does not impair job performance. The misuse of controlled substances with a valid prescription or the use of controlled substances with the knowledge that it will likely impair job performance may also subject the employee to appropriate disciplinary action.
- G. In situations involving employees with impairments that constitute disabilities under federal or state law, the City will act in accordance with those laws.
- H. An employee who reports to work and appears to be impaired by alcohol or any substance will be subject to reasonable cause testing.
- I. Refusal to submit to reasonable cause testing will subject the employee to disciplinary action up to and including dismissal.
- J. Any attempt to adulterate, dilute, substitute, contaminate, or in any way tamper with or affect the outcome of the alcohol or drug test procedure will subject the employee to dismissal.
- K. No employee shall purchase or consume illegal substances or marijuana while dressed in a City-issued uniform or wearing City-issued badges or public safety patches. Unless prior authority is received for certain special events or other City-sponsored activities, employees shall not purchase or consume alcoholic beverages while dressed in a City-issued uniform or wearing City-issued badges or public safety patches.
- L. Employees who are concerned about their alcohol or substance use are strongly encouraged to voluntarily seek assistance. The Employee Assistance Program (EAP) is available as a resource for all employees. An employee's job security or promotional opportunities will not be jeopardized by the voluntary utilization of the EAP or any other treatment services.
- M. Supervisors are encouraged to inform employees of the availability of EAP services when deteriorating or unsatisfactory job performance does not respond to usual supervisory actions, or when a specific on-the-job incident is cause for concern. A supervisor should not attempt to diagnose an employee's problems. The supervisor's role is to monitor job performance and make a supervisory referral, if appropriate.
- N. Confidentiality is an essential element of both the EAP and substance abuse treatment. Any employee violating this confidentiality will be subject to disciplinary action.
- O. An employee's use of a substance abuse treatment program does not replace normal disciplinary procedures for unsatisfactory job performance, inappropriate conduct, or unprofessional behavior.

IV. TYPES OF TESTING

- A. **Pre-Employment** – As a condition of employment, new City employees in specific job categories must pass a pre-employment urine drug screen prior to beginning employment with the City. See the Addendum attached to this AR for a listing of the specific job categories that require a pre-employment urine drug screen prior to beginning employment with the City.

In addition, current City employees who are moved into a position that requires a CDL will be required to pass a pre-employment drug screen and breath alcohol test in compliance with federal mandates.

1. A candidate who completes a pre-employment urine drug screen must start employment with the City within 30 calendar days of the initial urine drug screen. If the candidate does not begin employment within 30 calendar days, the candidate will be required to complete another pre-employment drug screen on the 31st day or after. An extension to the 30 calendar day requirement may be granted by the Human Resources Director under certain circumstances.
2. In certain instances, a pre-employment urine drug screen can be administered in other states in order to accommodate those candidates who reside outside the State of Arizona. The department's human resources liaison will work with the Alcohol and Drug Testing Coordinator to schedule out-of-state testing.
3. Those candidates who are unable to complete a urine drug screen due to an existing long or short-term medical condition will be required to complete another form of pre-employment drug screen as a condition of employment, which could include a saliva or blood draw test. This type of testing is an exception and will be used only in medically confirmed and well-documented instances.

- B. **Reasonable Cause** – The City, as an employer, has an obligation to ensure the safety of its employees and the general public. Reasonable cause drug and alcohol testing may be conducted when one supervisor (or two supervisors when feasible) has observed and documented conduct or behavior that may signal impairment of an employee in the workplace. Reasonable cause drug and alcohol testing may be conducted when the City receives reliable information regarding an employee and his/her use of alcohol or a substance that causes impairment while conducting City business; on business hours; on overtime; on paid standby/on-call duty; on lunch and breaks; or at a City worksite.

- C. **Follow-up** – An employee who tests positive for drugs or alcohol may be offered the opportunity to sign a Last Chance Employment Agreement which will set the terms and conditions of continued employment. An employee's refusal to sign or abide by the agreement will result in termination of employment. The employee will be subject to follow-up drug or alcohol testing as prescribed by a City designated Substance Abuse Professional (SAP) after successfully completing a rehabilitation program and producing a negative return to work drug or alcohol test result. The SAP will determine the type and duration of the follow-up schedule.

An employee who tests positive while on initial probation does not qualify for a Last Chance Agreement, and the employee will be terminated.

- D. **Random** – Employees who are in positions or want to remain eligible to work out of class in positions regulated by the federal government (including positions that require a CDL and positions that service, repair or operate an aircraft) are federally mandated to complete random drug and alcohol testing. Employees in sworn Police positions are subject to random drug and alcohol testing as prescribed by their departmental policies.
- E. **Post-Accident** – Employees involved in accidents may be required to complete post-accident drug and alcohol testing if the employee's conduct or behavior at the accident scene leads supervisors to suspect possible impairment. Employees who are in positions that require a CDL are federally mandated to complete drug and alcohol testing when involved in a vehicular accident and when certain criteria are met. These criteria are listed in the City of Phoenix Alcohol and Drug Testing Programs and CDL FMCSA policy.
- F. **Return to Work** – Return-to-work drug tests may be administered to employees who use substances, including marijuana, that could impair job performance, and to employees in CDL positions who are off work for 30 days or more and have not been subject to random testing during that time. These employees will not be allowed to return to work until the City has received negative drug test results.

V. SUBSTANCES TESTED FOR AND CONCENTRATION CUTOFF LEVELS

The City tests for the following substances during pre-employment, reasonable cause, follow-up, random, post-accident, and return to work tests:

- | | |
|------------------------------|------------------------|
| 1. Cannabinoids (Marijuana)* | 4. Phencyclidine (PCP) |
| 2. Cocaine | 5. Amphetamines |
| 3. Opiates | |

In addition, City employees may be tested for anabolic steroids during reasonable cause tests. The Police and Fire departments may also include anabolic steroid testing in their pre-employment tests, and the Police Department may include anabolic steroid testing in its random drug and alcohol testing program.

The City reserves the right to test for substances other than those listed above with prior notice.

When a breath alcohol test is administered during a reasonable cause, follow-up, random, post-accident, or return to work test, an alcohol concentration level of **0.02** or higher will be considered positive. The concentration and cut-off levels for the substances tested follow the standards set by the FMCSA.

*Only included in pre-employment tests for certain positions (see the addendum attached to this A.R.)

VI. EMPLOYEE RESPONSIBILITIES AND RIGHTS

- A. All City employees are expected to report to work in a state of readiness to perform their job duties and responsibilities.
- B. Employees are prohibited from reporting to work under the influence of alcohol or any substances, including over-the-counter or prescription medications, that impair job performance or present a hazard to their co-workers or the public. Employees should discuss the potential side effects of their medications with their medical providers.
- C. Employees who report to work while impaired by alcohol, over-the-counter medications, prescription medications, marijuana, controlled substances, or any synthetic or designer drugs that mimic the effects of a controlled substance are subject to disciplinary action.
- D. Employees who hold positions with disclosure requirements, as set forth in the attached Addendum, and who use substances, including over-the-counter medications or prescribed medications, that could impair their job performance shall report their use of the substances to their supervisor or their department human resources liaison.
- E. Employees who hold positions with disclosure requirements, as set forth in the attached Addendum, and who use medical marijuana, must disclose such use and present a valid medical marijuana card issued by the State of Arizona to their supervisor or their department human resources liaison. An employee will not be discriminated against, penalized, or disciplined based solely on his/her status as a medical marijuana card holder or a positive drug test for marijuana metabolites.
- F. If an employee uses a substance that could impair job performance, they will be removed from the position until they have stopped using the substance and have passed a return-to-work drug test.
- G. All employees play an important role in ensuring a safe workplace. If employees observe impairment or dangerous behaviors on the job, they should report their observations to their supervisor or department human resources liaison.
- H. Testing of employees will be conducted on City time and paid for by the City.
- I. Upon request, an employee will be given his/her written drug or alcohol test results, in accordance with the City's records retention policy.
- J. Upon request, test results will be explained to an employee in a confidential setting.
- K. Upon request, an additional test of the split sample will be performed, if available. The City will pay the cost of the split sample test. If the employee requests underlying data from the split sample test, the employee may be required to cover the cost of obtaining such data.

- L. All communication received by the City relevant to drug or alcohol test results is confidential and will be used only in accordance with and as permitted by federal and state laws.

VII. EMPLOYEE ASSISTANCE

- A. Employees who are concerned about their alcohol or substance use are strongly encouraged to voluntarily seek assistance. A City employee assistance program (EAP) is available as a resource for all employees. EAP contact information can be obtained from the Human Resources Department or a department human resources liaison.
- B. EAP is available for assessment, referral to treatment, and follow-up. Any employee of the City of Phoenix wishing confidential assistance for a possible alcohol or substance use problem can call EAP to schedule an appointment with a counselor.

All self-referral contacts are held in confidence by EAP unless the employee requests, through a specific written release of information, that the department, supervisor, union, or other parties be notified. If the problem involves danger to the employee, co-workers, or to the public, the EAP counselor shall notify the City.

- C. An employee can schedule an appointment with EAP on his/her own time (days off, before or after the work shift, during lunch break) without notifying anyone in the department.
 - 1. **City Time** – An employee can schedule EAP appointments on City time with the approval of his/her supervisor. An employee may use EAP on City time for up to three visits per calendar year, with the supervisor's prior approval for scheduling purposes. It is not necessary or required to let the supervisor know the purpose of EAP visits. EAP counselors may request approval for additional visits on City time. This approval is at the discretion of the immediate supervisor, in consultation with the department human resources liaison, based on the needs of the employee and the work unit's operation.
 - 2. **Leave Request** – If an employee requires leave for voluntary substance abuse treatment, he/she can follow established Human Resources policy concerning sick leave usage. If an employee requests that the purpose of the sick leave not be disclosed to his/her immediate supervisor, the doctor's medical slip can be processed directly through his/her department human resources liaison. The department head or designee shall maintain confidentiality regarding the reason for the leave when advising the supervisor of the employee's time away.
 - 3. **Health Insurance** – Health insurance coverage applies to substance abuse treatment within the terms of the plan in which the employee is enrolled. The employee assumes the financial responsibility for all services that are not covered by insurance.

VIII. SUPERVISORY RESPONSIBILITIES

If a supervisor has a good faith belief that an employee is impaired by alcohol or any substance when reporting for work or during the work shift, the supervisor has a responsibility to investigate the employee's condition and relieve the employee of his/her duties if appropriate. An employee

who may be impaired by alcohol or any substance must not be allowed to continue to work, to operate or drive vehicles or equipment on the job, or to drive a private vehicle from the work site.

- A. Managers, supervisors, union representatives and other employee representatives play a key role in the implementation and monitoring of an alcohol and substance use and abuse policy. Education and training are critical to facilitate the understanding and management of performance problems resulting from alcohol and substance use and abuse.
- B. It is the responsibility of supervisors at every level to monitor employee job performance and conduct and take appropriate action if impairment on the job is suspected.
- C. Supervisors are encouraged to inform employees of the availability of EAP when deteriorating or unsatisfactory job performance does not respond to usual supervisory actions, or when a specific on-the-job incident is cause for concern. A supervisor should not attempt to diagnose an employee's problems. Supervisors should consult with their department's human resources liaison when scheduling EAP for their employees.
- D. Observation – If a supervisor observes an employee who appears to be impaired by alcohol or any substance, he/she should, if feasible, seek the opinion of at least one additional supervisor or management representative. Reasonable cause should exist before requesting the employee to take a urine drug screen and a breath alcohol test. Reasonable cause testing may be conducted when any of the various symptoms or behaviors listed below are observed and documented:
 - slurred speech
 - red eyes
 - dilated pupils
 - incoherence
 - unsteadiness on feet, including difficulty walking or standing
 - smell of alcohol or marijuana coming from the employee's body
 - inability to carry on a rational conversation
 - irrational, erratic, or unusual behavior
 - increased carelessness
 - sleeping on the job
 - inability to perform job duties
 - negligence or carelessness in operating equipment or machinery
 - inexplicable/uncontrollable rage
 - disregard for the safety of the employee or others
 - involvement in an accident that results in serious damage to equipment, machinery, property, or injury to the employee or others
 - reliable information or a report by a person who witnessed the employee use or possess drugs or drug paraphernalia at work
 - other symptoms, behaviors or physical changes causing a reasonable suspicion of the use of alcohol or substances that impair performance

The list of factors or behaviors is not all-inclusive and may include other symptoms or behaviors. The supervisor must document these observations in writing. A copy of this document will be provided to the employee upon request.

- E. **Referral for Testing** – If the supervisor determines that reasonable cause exists, the employee should not be allowed to drive. The employee will be directed to accompany the supervisor or use other transportation to the City-contracted drug/alcohol screening center for a urine drug screening and breath alcohol test to determine fitness for duty.

Each employee is hereby informed that:

- The tests will be conducted on City time, paid for by the City, and are part of the employee's job requirements.
- Refusal to take the test or sign the release of information forms may result in disciplinary action up to and including dismissal.
- The employee will not be allowed to drive home. (Supervisors may work with the employee to arrange for alternate transportation home.)
- The employee will be placed on an at-home administrative work assignment until the results of the test are received by the City.
- Employees who refuse to take the test will be placed on unpaid leave pending appropriate disciplinary action.

- F. **Test Results** – An employee who tests positive for alcohol during a random, reasonable cause, follow-up, post-accident, or return to work test shall be considered unfit for work and shall be relieved from duty that day. The employee will not be allowed to drive home from the screening center. The employee will be placed on at-home work assignment until the results of the drug test have been received.

- G. A supervisor who observes an employee using, possessing, selling, transferring or purchasing alcohol or substances that could impair performance while on the job should take immediate and appropriate action, which may include contacting the Police Department. Observations about the employee's behavior, as well as the discussions and contacts with him or her should be documented in writing. The supervisor should immediately report these observations to his/her own supervisor and the department's human resources liaison for guidance. The Alcohol and Drug Testing Office also should be contacted immediately.

- H. **Positive Test Results (includes Refusal to Submit)** – If the employee tests positive for alcohol or drugs, the following actions will occur:

1. The department will contact the Human Resources Department to discuss the appropriate level of disciplinary action; and
2. The employee will be referred to a City designated Substance Abuse Professional (SAP) who will make the assessment and determination of the appropriate rehabilitation and treatment program. During the rehabilitation and treatment program, an employee may be placed on FMLA or, if not eligible for FMLA, may use accrued vacation or compensatory time until the employee has completed the rehabilitation program and has a negative result on the return to work alcohol and drug test. If the employee does not

have accrued leave available, the employee will be placed in a non-paid leave status. Any required follow-up appointments will be held during the employee's non-work hours and the employee will not be paid for the follow-up appointments.

IX. COMPLIANCE AND ENFORCEMENT

Employees must comply with federal, state, and local laws and regulations and all City policies, including this Administrative Regulation and any other policy, standard or procedure related to alcohol and drug testing. Employees who fail to comply with these requirements will be subjected to disciplinary action up to and including dismissal.

All alcohol and drug testing records are kept in separate confidential files maintained by the Human Resources Department's Alcohol and Drug Testing Coordinator or designee.

X. QUESTIONS

Questions regarding this AR should be directed to the Human Resources Department at (602) 495-5700.

FOR JEFFREY BARTON, City Manager

By: _____
Ginger Spencer
Deputy City Manager

ADDENDUM – AR 2.324 POLICY ON SUBSTANCE ABUSE
Drug Testing/Disclosure Categories

Position/Function	Pre-Employment Testing and Required Disclosure of Substances that May Impair Performance (Sections IV(A), VI(D), VI(E))	Reasonable Cause Testing	Follow-Up Testing	Random Testing	Post Accident Testing (Federally Mandated)
Federally Regulated Positions (CDL operators and positions that service/repair or operate aircraft) *	✓	✓	✓	✓	✓
Access to criminal justice information**	✓	✓	✓		
Access to drug / medical information**	✓	✓	✓		
Occupies a Driving Position***	✓	✓	✓		
Works with gases / hazardous materials	✓	✓	✓		
Assigned to Homeland Security**	✓	✓	✓		
Regularly/directly works with children or vulnerable adults	✓	✓	✓		
Sworn Police Officers*	✓	✓	✓	✓	
Sworn Firefighters	✓	✓	✓		
POST-certified arson investigators*	✓	✓	✓		
Assigned to the Crime Lab*	✓	✓	✓		
Interdiction or enforcement of federal drug laws**	✓	✓	✓		
Occupies a federally-funded position**	✓	✓	✓		
All other City employees		✓	✓		

*Pre-employment testing for these positions will include testing for cannabinoids (marijuana).

**Pre-employment testing for these positions may include testing cannabinoids (marijuana) depending on specific job duties.

***Driving Position definition: A job that requires driving a vehicle on City business regularly, on average once per week (reference AR 2.96, Driver Qualification, Section II).

EXHIBIT 27
PHOENIX CALL ESCALATION PROCESS

Purpose: The purpose of this memo is to communicate the updated contact list for application support as well as reiterate the proper procedure and channels for reporting escalated (2nd tier) technical issues to Public Transit Support Services Technology Services Business Applications staff.

Background: Under most contracts, local IT support (see attached) serves as tier one support and primary point of contact with contract users. Only issues that cannot be resolved by tier one support are escalated to tier two for resolution. Timely and effective responses to information technology user queries and problems requires a well-designed and well executed service desk and incident management process. Key activities in this process include:

1. Detect and record incidents
 - a. Identify the system or application in use, user(s) impacted, process performed when incident occurred, time when the error occurred, equipment in use, what was expected and what occurred.
 - b. Provide screen shots and or data. User should take screen prints to capture the error, paste this into word pad, and save the file. Transfer the file via USB thumb drive to the local agency pc to transmit information through email to the appropriate tier one contact listed on the Call Escalation Chart.
2. Classify incidents (urgent, high, medium, or low). See chart below.
3. Provide initial incident support
 - a. Use Application Help files, follow trouble shooting and diagnostic documentation specific to application. Document steps performed during initial support.
 - i. Provide this documentation to tier two support staff when escalating an issue.
4. Prioritize incidents based on impact and urgency
5. Investigate and diagnose incidents
6. Resolve incidents and recover service per agreed service levels
7. Close incidents
8. Maintain ownership, monitoring, tracking and communications about incidents
9. Provide management information about Incident Management quality and operations

Business Applications Administrators, Amanda Pilcher, Joshua Ryan, Don Utterback, Edward Amavisca & Valerie Fung

Guidelines: To comply with contractual obligations and properly communicate, prioritize, route, and record service desk requests, business applications support staff, “busapps” request the following guidelines are adhered to when seeking second tier support. Please share these guidelines with your users and other applicable staff members.

1. End users are not to circumvent tier one support and must directly report their issues to the applicable in house, local, assigned or contract specific IT support staff. Each agency’s information technology (IT) designated representative is identified on the Call Escalation Chart. The Chart should be posted where end users can access it.
2. Requests to “busapps” must be reported by a local IT resource (not the end user) to ensure appropriateness of the escalated problem and maintain proper channels.
3. Tier one support will: 1) document the issue in detail in an email to “busapps” with supporting screen shots wherever possible and 2) include the priority level, and application/system impacted in the subject line.
4. While all issues require notification by email, urgent and high priority items ALSO require a phone call to the tier two support designated contact.
5. Should an emergency issue (urgent or high priority) arise after normal business hours, tier one support shall call the emergency support line (480-258-2623) and send an email to the emergency email address (Transit.Support@phoenix.gov).

Priority Levels	General Description	Notification Method	
Urgent	All users or multiple users are unable to access application.	*Normal Hours Call: After Hours Call: Email:	[REDACTED] (FCS,CAD/AVL) 602-534-2546 [REDACTED] (HASTUS) 602-262-1689 [REDACTED] (CAD/AVL,FMS) 602-495-5239 [REDACTED] (FCS, FMS) 602-495-0711 [REDACTED] (PASS) 602-262-7854 Help Desk 602-534-4357 Bus. Apps. Support 480-258-2623 Transit.Support@phoenix.gov
High	Issue impacts a significant process such as dispatch, reservations, scheduling, or vehicle communications.		
Medium	Problem can be worked around or can wait. Affects single workstation and an alternate is available. One user is impacted.	*Normal Hours Call: Email:	Help Desk 602-534-4357 Email to Transit.Support@phoenix.gov Please make sure your subject line reads “Open Call”
Scheduled /Low	User account request, data request, new feature, function or report request	Email:	Email to Transit.Support@phoenix.gov Please make sure your subject line reads “Open Call”

***Normal Hours: 8 a.m. - 5 p.m. Monday - Friday**

EXHIBIT 28
PHOENIX FACILITY DAMAGE INCIDENT
REPORT PROCEDURE

CITY OF PHOENIX PUBLIC TRANSIT DEPARTMENT DEPARTMENTAL POLICY/PROCEDURE		Pages 4
Subject FACILITY DAMAGE-INCIDENT REPORT PROCEDURE		Effective 10/31/2014
Policy/Procedure Owner Deputy Public Transit Director	Initiating Division Facilities Division	Revision Date 03/13/2024
Policy/Procedure User(s) PTD, Police Transit Unit, Contractors, and Vendors		Revision Number 5

PURPOSE

The purpose of this procedure is to provide guidance to Public Transit staff, Police Transit Unit, all contractors, and vendors on how to report and document damage that occurs at the operating facilities, transit centers, park and rides and headquarters building.

GENERAL INFORMATION

The Public Transit Department (PTD), Facilities Division (FD), is responsible for the management and maintenance of all PTD facilities. All incidents resulting in damage to City assets must be documented and reported as outlined in this document. All repairs associated with such incidents shall be coordinated by the City.

PROCEDURE

- This procedure applies to all City of Phoenix Public Transit Department facilities.
- All incident report repair requests shall be inputted into MPulse or called into the Work Order system at 602-495-7011.
- PTD FD has point of contacts assigned to manage the incident reporting process.
- PTD sites are assigned to FD staff and that individual should be contacted during after hour/weekend emergencies at the following numbers:

PTD Facility	Staff Contact	Number
Transit Department Headquarters	[REDACTED]	[REDACTED]
Transit Centers	[REDACTED]	[REDACTED]
Park-and-Rides	[REDACTED]	[REDACTED]
Bus Stops	[REDACTED]	[REDACTED]
Operating Facilities (North, South, West)	[REDACTED]	[REDACTED]

- An emergency is considered life safety or building and equipment failure that hinders operations or may cause further damage. Life threatening or wide spread property damage should be considered a 911 emergency. Facility occupants should refer to their contract in reference to emergency responsibilities.
- When City of Phoenix property is damaged, an incident report shall be filled out by the Tenant, Contractor, City staff, Police Transit Unit, or any personnel that caused or discovered the damage.

Operating Standards: Work Order System as it Relates to Facility Damage Repairs

The following guidelines can be found in the Work Order Business Practice Guide, 10/26/2016

- The normal business hours are from 7:00 AM- 5:00 PM, Monday – Friday, excluding City holidays.

- After hours and immediate response emergency work orders (as defined) shall be called into the staff person assigned to site stated above. FD staff will assign the work through authorized work teams/contractors to respond to the emergency. Affected contract managers for transit operating contractor should be notified ASAP when the emergency could impact operations.
- Work order tracking, assignment, and database are managed by FD staff.
- Work order review is performed weekly by FD staff assigned to the site(s). Response and status reports are delivered to the work order administration team to update work order tracking information.
- Receipt of work order request by caller is provided weekly to Public Transit FD, Police Transit Unit, and site primary manager.

Operating Standards: Incident Report

The following guidelines are used for Incident Reports:

- All Public Transit facility damage shall be recorded with an incident form.
- All incident forms must be complete with all requested information and all required signatures. Any incomplete forms will be returned to the originating party.
- Person finding and reporting the damage shall notify their supervisor and on-site security of the incident and where it occurred, either in person or by phone, if applicable. The City Contract Manager of the reporting party, if applicable, must also be notified of the damage and current status.
- All property damaged shall be reviewed and repaired by the FD staff assigned to the site, unless otherwise approved or directed by Public Transit Department management staff.
- Incident reports shall be provided to the City Contract Manager as soon as possible. It is the responsibility of the City Contract Manager to forward information to the identified responsible party.
- Copy of quotes/estimates for damages will be forwarded to the City Contract Manager for review.

Operating Standards: Damage Recovery Cost

The following guidelines are used to recover cost due to misuse, abuse, or neglect to City assets:

- Operating Facilities: Contractors responsible for operation and/or maintenance of equipment as part of their contract scope will do so according to the Original Equipment Manufacture (OEM) specifications. All contractors assigned to the North, South, and West Transit Facilities shall refer to their contract for City provided equipment replacement responsibilities. The contractor will also be financially responsible for any damage repairs throughout the facility caused by misuse or abuse (accidents, improper operation, theft, etc.) by their employees, subcontractors, or visitors. The aforementioned repairs shall be performed, as directed by the City, by the Facilities Maintenance Contractor (FMC), other City departments, or City contracted vendors and charged to the responsible contractor.
- Park-and-Rides & Transit Centers: Same as above. Repairs shall be performed, as directed by the City, by the FMC, other City departments, or City contracted vendor and charged to the responsible contractor.
- Initial communication of damages and recovery cost is conducted with the City Contract Manager overseeing the responsible party. All disputes should be submitted, in writing, via email, regular mail service or hand delivery within 5 business days of the Incident Report delivery to the City Contract Manager.
- All disputes will be reviewed and researched by the FD. A written response to the City Contract Manager will be provided within 5 business days of receipt by the FD.
- Invoicing to the responsible contractor for recovery costs is managed through the Management Services Division. Invoices are issued after payment is processed by the City for the repairs completed.
- City staff and/or FMC reviews the damage and reports any issues and the current status, based on knowledge and expertise, to the City staff responsible for the site. Any repairs authorized by the City must follow City purchasing guidelines to restore the equipment or property to the level prior to damage.

RESPONSIBILITY

All Public Transit Department staff, Police Transit Unit, Contractors, and Vendors are responsible for following this reporting procedure.

EXHIBITS/ATTACHEMENTS

Public Transit Department Incident/Repair Service Request Form

Approved by:

Jesús Sapien, Director
Public Transit Department

Approved by:



Joseph Bowar, Deputy Director
Public Transit Department



Public Transit Department

INCIDENT / REPAIR SERVICE REQUEST FORM

North Transit Facility	<input type="checkbox"/>	South Transit Facility	<input type="checkbox"/>	West Transit Facility	<input type="checkbox"/>	
Other Facility	<input type="checkbox"/>					
INCIDENT DATE:		EQUIPMENT OR VEHICLE #:				
TIME OF REPORT:		PERSON REPORTING INCIDENT / REQUEST: _____				
WAS SITE SECURITY NOTIFIED?		Yes <input type="checkbox"/> No <input type="checkbox"/>				
BUILDING		LOCATION:				
DAMAGED	<input type="checkbox"/>		REPAIR/SERVICE	<input type="checkbox"/>		
GIVE A COMPLETE DESCRIPTION OF WHAT WAS DAMAGED OR NEEDING REPAIR/SERVICE						
Damage to City property must be reported ASAP. Photos shall be taken of all damage and submitted as an attachment.						
All City Property repairs shall be conducted by City staff or their contractors, unless otherwise agreed to by Management.						
THIS SECTION IS FOR CITY USE ONLY						
Assigned to:				DATE:		
COMMENTS						
OUT SOURCED:	Yes <input type="checkbox"/>	No <input type="checkbox"/>		Service Contractor:		

EXHIBIT 29
LOST AND FOUND PROCEDURE
(LOG AND TAG)

CITY OF PHOENIX PUBLIC TRANSIT DEPARTMENT DEPARTMENT POLICY/PROCEDURE	Pages 3
	Effective 04-01-11
Lost and Found Procedure	Revised

Purpose

The purpose of this procedure is to provide guidance to transit center staff on how to process items turned into Central Station that were found on the bus, the rail, provider vehicles and/or at the transit facilities.

Procedure

Receiving Items

Lost and Found items are transported to the designated transit center, Monday through Friday, between the hours of 8am-11am with the exception of City observed holidays. Transit providers such as; Veolia Transportation Services, MV Transportation (City of Phoenix Dial-A-Ride), Valley Metro Rail and First Transit are responsible for delivery of their own lost and found items (**including bikes**) to our designated transit center.

When the courier from the transit provider delivers the lost items the following must take place:

- 1) Staff receiving the items must wear turtle skin gloves for protection. If turtle skin gloves are not available, contact a Lead immediately for guidance before moving forward.
- 2) Staff will inventory the items against the Lost & Found Log Sheet and verify the following:
 - a. The item has a Lost and Found Tag (see exhibit A) attached
 - b. The tag has been filled out with an accurate description
 - c. The item is on the Lost and Found Log Sheet (see exhibit B)
- 3) After each item is verified, clerk will make a check mark next to each item on the log sheet
 - a. The check mark will be placed just to the left of each line item
 - i. This ensures that all items are present and accounted for
 - ii. This also makes it easier to process log sheets later on
- 4) If lost and found bikes are on the log sheet, complete the task of verifying the other lost items before retrieving/verifying the bikes.
 - a. The transit provider normally keeps the bikes in their assigned vehicles until all other lost items have been verified.
- 5) If an item is not listed on the log or has not been tagged, then a tag should be completed for the item along with adding it to the log sheet before signing.
- 6) If an item is listed on the log but is missing; the item should be crossed off the log, a notation made on the log that the item was missing and the transit provider will initial the log confirming the item was missing as well.
- 7) After the other items have been verified and before the log sheet is signed, the lost bikes are to be collected from the transit provider (if applicable).
 - a. Bikes are held in a designated storage room or bike locker outside the workroom area.
- 8) Inform the transit provider the lost bikes will now be collected from outside

CITY OF PHOENIX PUBLIC TRANSIT DEPARTMENT DEPARTMENT POLICY/PROCEDURE	Pages 3
	Effective 04-01-11
Lost and Found Procedure	Revised

- 9) The keys (if applicable), Transit Center Bike Log (see exhibit C) and Lost and Found Log sheet should be taken outside when retrieving the bikes.
 - a. Inform the assigned PTB – Municipal Guard that bikes are being retrieved so they can oversee the safety of the exchange and storage of the bikes.
 - i. This process is used because the bikes are stored in an open area around the general public.
 - b. If a customer inquires about a bike while the retrieving/verification process is taking place, kindly ask the customer to make their inquiry at the customer service window.
 - c. Items 1 – 2 and 4 – 5 listed above apply to lost bikes as well.

After **all** lost items have been verified:

- 1) Any person signing the log sheet without verifying the items, willingly accepts responsibility for any items that are found to be missing and is subject to appropriate disciplinary action, up to and including termination of employment.
- 2) Transit Center staff and the transit provider courier will sign/date the log after verifying that each item has been tagged and received.
- 3) The yellow carbon copy or a copy of the original log sheet, whichever is applicable, is to be given to the transit provider after it has been signed and dated by both parties.
- 4) Once the transit provider has their copy, they are free to leave
- 5) Organize/secure the new bikes received from the provider with the current bikes and add the new bikes on Transit Center Bike Log with a thorough description
 - a. The Transit Center Bike Log is used for staff to identify the bikes in storage without physically going to look at them
 - b. List the "Tag Date" and the date the bike will be expired from Lost and Found
 - i. Bikes are held for seven (7) consecutive days **only**
 - c. List the color, brand name, type of bike, lock type, and any details that can be used to identify the bike
- 1) Once all incoming bikes are logged in, clerk will lock bikes securely using cable
- 6) Be sure to secure the storage room or bike locker after exiting
- 7) Return the keys and the Transit Center Bike Log to their designated areas in the workroom area
- 8) The Lost and Found Log sheet is to be filed in the Lost & Found binder according to the provider and in order of date.

From here, staff will visibly inspect each item individually and use a red pen to mark the date the item is to be removed from Lost and Found on the top right-hand corner of the tag.

- 1) Lost and Found items are kept for seven (7) consecutive days **only**.
 - a) Seven (7) days includes the day the item was originally found.
 - i. Example 1: Tag Date of 03/24/11, $24 + 7 = 31$ which means 03/31/11 is the date placed in red on the top right-hand corner of the tag

CITY OF PHOENIX PUBLIC TRANSIT DEPARTMENT DEPARTMENT POLICY/PROCEDURE	Pages 3
	Effective 04-01-11
Lost and Found Procedure	Revised

- ii. Example 2: The 24, 25,26,27,28,29, and 30 = 7 consecutive days, which gives 03/31/11 as the clean out date listed on the tag
- 2) Items should be thoroughly inspected for identification, money, electronics, and any other distinguishing features.
 - a) Any information found concerning the owner of the lost item should be used to contact them. Attempts to contact the owner should be documented on the blank section of the tag just under the “Detailed Description”. The documented details include but are not limited to; the date, time, employee initials, and whether direct contact was made or if a message was left on the person’s voice mail or with another individual.
 - i. If the owner is contacted do the following:
 - Advise the customer to bring a valid State issued ID, that the item will be in the claims bin, and the last day the item will be held
 - Put customer name, date they will claim the item, and employee initials on the blank section of the tag
 - Place the item in the claims bin
- 3) Clerk should use their better judgment when adding additional details to the “Detailed Description” section of the tag.
 - a) Examples: Cash/check amount, ID for John Anderson, work ID for Ann Jackson, PSP with Black Ops game, Cell Phone – List number, screen saver, etc
- 4) For illegal drugs;
 - a) Leave item(s) at the location where you found it
 - b) Stand by the item(s) while a Lead summons the Municipal Security Guard.
 - c) The MSG will respond and stand by the item; relieving the employee
 - d) The MSG will request a Police Assistant or Police Officer to respond to take possession of the item.
 - e) A Lead will collect a lost and found log sheet to list the tag, description and date the item is being released to the Police Impound.
 - f) The Police Assistant/ Police Officer and Lead will sign off on the log sheet. Make sure to give a copy of the log sheet to the PA/ Police Officer for their records.
- 5) For weapons
 - a) Leave item(s) at the location where you found it
 - b) Stand by the item(s) while another employee summons the Municipal Security Guard.
 - c) The MSG will respond and stand by the item; relieving the employee
 - d) The MSG will request a sworn officer to respond to take possession of the item.
 - e) The MSG will stand by until the item is collected by a sworn officer.
 - f) Employees and/or MSGs will not manipulate a firearm in any manner.
 - g) A Lead will collect a lost and found log sheet to list the tag, description and date the item is being released to the Police Impound.
 - h) The Police Assistant and Lead will sign off on the log sheet. Make sure to give a copy of the log sheet to the PA for their records.
- 6). All wallets and purses received that contain cash/check/money order of \$5.00 or more; must be verified by a Lead and put in the cash vault for safe keeping until the wallet or purse is claimed or expired.
 - a. Clerk and Lead will initial tag confirming the dollar amount found in the item.

CITY OF PHOENIX PUBLIC TRANSIT DEPARTMENT DEPARTMENT POLICY/PROCEDURE	Pages 3
	Effective 04-01-11
Lost and Found Procedure	Revised

- b. Clerk will make a copy of the tag and owner ID and place it in the designated cabinet.
- 7). All perishable food items, soiled items, and/or items that are emanating an odor will be disposed of immediately.
- 8). Once the item(s) have been searched, the clerk will put their initials on the tag next to the expired date. This helps us know who check in the item(s).

Customer calls and/or window inquiries

When a customer makes a Lost and Found inquiry, do the following:

- 1) Ask customer to physically describe the item and all pertinent information such as:
 - a. Customer Name
 - b. Description of the item
 - c. Date/time the item was lost
 - d. Route/direction of travel the bus/rail was traveling when the item was lost
 - i. This ensures item is actually theirs
- 2) If customer cannot fully describe item or cannot provide a specific description of item do NOT release the item to them
- 3) Explain to customer we want to make sure they receive their item back, and not someone else's, and that is why we cannot just give them the item
 - i. We CANNOT, under any circumstances, let any customer view our lost and found items
 - b. If the customer becomes belligerent or will not leave, contact a supervisor
- 4) Info concerning a lost item should never be given out to any customer. A Clerk is only able to verify information (yes or no) while customer is making an inquiry
 - a. Example: Correct - What make/model was the phone? Incorrect - Did you lose this iPhone?
- 5) If a customer inquires about a bike, the Transit Center Bike Log should be used to verify the description
- 6) If a customer wants to claim a cellular phone or I-Pod touch/I-Pad, they MUST be able to describe:
 - a. The lock code or phone number
 - b. The screensaver/wallpaper of the phone
 - c. The names' of contacts in the address book
 - d. If phone's battery is dead, customer MUST provide charger for phone, then verify the above information
- 7) If the customer calls and verifies their item is in our inventory then the following should take place:
 - a. Advise the customer to bring a valid State issued ID, let them know that their item will be in the claims bin, and the last day the item will be held
 - b. Put customer name, date they will claim the item, and employee initials on the blank section of the tag
 - c. Place the item in the claims bin
- 8) If a walk up customer verifies their item is in our inventory, then move on to the "Claim Process" listed below.
- 6) At **no** time is a clerk to offer that we hold a lost item for longer than seven (7) consecutive days.

CITY OF PHOENIX PUBLIC TRANSIT DEPARTMENT DEPARTMENT POLICY/PROCEDURE	Pages 3
	Effective 04-01-11
Lost and Found Procedure	Revised

- a) If the customer is unhappy with the hold time, Clerk should explain the policy and inform the customer there are **no** exceptions. If the call needs to be escalated to supervisor, then contact a Lead with the following information readily available:
 - i. Customer Name
 - ii. Description of the item
 - iii. Date/time the item was lost
 - iv. Route/direction of travel the bus/rail was traveling when the item was lost
 - v. Reason the item can not be picked up within seven (7) consecutive days.
- b) Staff will be notified if the item is approved for a later hold date.
- 7) If the customer's item is not in our inventory, then the customer can callback the next business day. If the lost item does not show up at least 2 to 3 business days after being lost, then the item may not have been collected by a transit provider employee.

Claim Process

If a customer provides accurate information and determination of possession is made then Clerk will:

- 1) Ask for customer's driver's license
 - a. If customer does not have official state-issued drivers license, we CANNOT release the item
 - b. State issued identification is the ONLY accepted form
 - i. Passport IS acceptable
- 2) Hand the customer the Lost and Found Tag/pen to fill out the "Claimant Information" on the tag.
 - a. The customer should fill out the following:
 - i. Date Claimed
 - ii. Phone #
 - iii. Printed Name
 - iv. Signature
 - v. Address
- 3) The Clerk will fill out the remaining information which is:
 - b. Check the "RTO (returned to owner)" box
 - c. Write name on "Handled By" line
 - d. Disposition date will be the current date
 - e. On blank line to the right of "Handled By", write ID (Identification) or DL (Driver's License)
 - i. ID or DL identifies the type of identification verified by the employee when the item was claimed
- 4) Once customer has returned completed tag to Clerk, the lost item may be released
- 5) If the lost item is a bike, initial and date the Transit Center Bike Log for the bike being returned and highlight with correct color.
 - a. Orange = bike returned to owner
- 6) The tag is to be placed in the gray box designated for Lost and Found tags

The Removal of Expired Items from Lost and Found (Excluding Bikes)

Removal of Lost and Found items will take place on the eighth (8th) day.

CITY OF PHOENIX PUBLIC TRANSIT DEPARTMENT DEPARTMENT POLICY/PROCEDURE	Pages 3
	Effective 04-01-11
Lost and Found Procedure	Revised

Clerks shall follow this procedure for removing Lost and Found items:

- 1) Clerk will search Lost and Found bins daily for items that are "up" for removal
- 2) Clerk will set all items up for removal in a designated bin or desk area
 - a. This happens so items that are up are not confused with current items, and reinserted into Lost and Found
- 2) Clerk will, once again, attempt to find any identification information before disposition of item
- 3) If no information can be found, clerk will remove attached Lost and Found tag from item and begin to fill out disposition summary
 - a. If item is to be thrown away, mark the "Destroyed/Discarded" box
 - i. Items that can be thrown away are:
 1. Food
 2. Unusable clothes
 3. Personal hygiene products
 4. Items that a charitable organization cannot use
 5. Personal identification information **WILL** be shredded
 - b. If lost item contains any amount of money, the entire will be sent to impound and be held for 30 days.
 - c. If item **CAN** be donated to a charitable organization, check the "Surplused" box
 - i. Items that can be donated are items that a charitable organization can use
 - d. If the item has medication of any kind, (over the counter pills, prescription, liquid cough syrup, vitamins) keep in a separate pile. These items will be sent to impound for proper destruction.
 - e. High dollar items such as laptops, cameras, ipods, and jewelry will need to be impounded.
 - f. Weapons such as butterfly knives, switch blades, daggers, and swords will need to be impounded.
- 4) Continue the process until all expired items have been cleared or until informed otherwise by a Lead
- 5) Once this process has been completed, Clerk is to place all surplus items in a black garbage bag, which is to be placed in the safe room until charitable institution picks up
 - a. Charitable items are picked up every Friday
- 6) Completed tags are to be placed in the gray box designated for Lost and Found tags

Cleaning Out Lost and Found Log Sheets and Tags

- 1) Collect the Gray box designated for tags and the book for log sheets
- 2) Separate the tags by provider and in order of date
- 3) Clerk will now begin to fill out log sheet book
 - a. The log sheet book is grouped by transit provider in order of date.
 - b. Each log sheet has a "Disposition" section for each line item (see exhibit B)
- 4) Clerk will locate the appropriate transit provider, date, tag number and item description in the book
 - a. the "Disposition" section of the tag will list the date, initials, and tag number

CITY OF PHOENIX PUBLIC TRANSIT DEPARTMENT DEPARTMENT POLICY/PROCEDURE	Pages 3
	Effective 04-01-11
Lost and Found Procedure	Revised

- b. Clerk will take daily completed lost and found tags and fill out the log sheets in book listing the required information: date, disposition, and employee initials
- c. Write the letter “D” on the tag once it has been logged in the book.
- d. All tags and log sheets will be stored on file for no less than six months.

The Removal of Expired Bikes from Lost and Found

Revenue staff for our section is available to take expired bikes to the South garage every business day.

From here, the clerk will look at Transit Center Bike Log to check if any bikes need to be sent back to South Garage.

If a bike or bikes **DO** need to be returned to the South facility:

- 9) The Transit Center Bike Log and keys should be taken outside when sending the bikes to the South Garage.
 - a. Inform the assigned PTB – Municipal Guard that bikes are being picked up so they can open the bike locker and oversee the safety of the exchange.
 - b. If a customer inquires about a bike while in the storage area kindly ask the customer to make their inquiry at the customer service window.
- 10) Go to bike storage area and retrieve the bikes which need to be returned.
- 11) Before giving bikes to Revenue staff, initial and date the Transit Center Bike Log for each bike(s) being returned and highlight with correct color.
 - a. Green = bike returned to garage
- 2) Once all bikes are logged, Clerk will lock bikes securely using cable
- 12) Be sure the assigned PTB-Municipal Guard secures the bike locker after exiting
- 13) Return the keys and Transit Center Bike Log to their designated areas in the workroom area

Responsibility

Clerical staff members who work at transit centers are responsible for understanding these procedures.

CITY OF PHOENIX PUBLIC TRANSIT DEPARTMENT DEPARTMENT POLICY/PROCEDURE	Pages 3
	Effective 04-01-11
Lost and Found Procedure	Revised

Exhibit A:

Lost and Found Tag - Front

City of Phoenix - Public Transit Serial #
LOST/FOUND TAG

City of Phoenix
Date Found: _____

Location: North South West Rail MV

Route #: _____ Run #: _____ Bus/Rail/Van #: _____

Operator/Employee Name: _____

Operator/Employee #: _____

Detailed Description: _____

240-200 Rev. 11/08

Lost and Found Tag - Back

City of Phoenix - Public Transit
CLAIMANT INFORMATION

City of Phoenix
Date Claimed: _____ Phone #: _____

Printed Name: _____

Signature: _____

Address: _____

Check the disposition of the item below:

RTO Destroyed/Discarded Deposited Surplused

Handled By: _____

Disposition Date: _____

**CITY OF PHOENIX
PUBLIC TRANSIT DEPARTMENT
DEPARTMENT POLICY/PROCEDURE**

Pages
3
Effective
04-01-11
Revised

Lost and Found Procedure

Exhibit B:

Lost and Found Log Sheet

240-300 New 2_09.pdf - Adobe Reader

File Edit View Document Tools Window Help

1 (1 of 1) 73.6% Find

City of Phoenix

LOST AND FOUND LOG SHEET

LOCATION:		North	South	West	Rail	MV		
DATE	TAG #	ROUTE #	VEHICLE #	DESCRIPTION OF ITEM		DISPOSITION OF ITEM		

Comments/Discrepancies: _____

Delivered By: _____

Date Delivered: _____

Received By: _____

Date Received: _____

240-300 New 2/09

**CITY OF PHOENIX
PUBLIC TRANSIT DEPARTMENT
DEPARTMENT POLICY/PROCEDURE**

Pages
3
Effective
04-01-11
Revised

Lost and Found Procedure

**Exhibit C:
Transit Center Bike Log**

	A	B	C	D	E	F	G	H	I	J	K
	<u>TAG DATE</u>	<u>TAG NUMBER</u>	<u>ROUTE NUMBER</u>	<u>COLOR</u>	<u>NAME BRAND</u>	<u>TYPE (BMX, MOUNTAIN, ETC.)</u>	<u>TYPE OF LOCK</u>	<u>MISCELLANEOUS DESCRIPTION</u>	<u>DATE REC / EMPLOYEE INITIALS</u>	<u>DATE RTG / EMPLOYEE INITIALS</u>	<u>DATE RTO / EMPLOYEE INITIALS</u>
1											
2											
3											
4											
5											
6											
7											
8											
9											
10											
11											
12											
13											
14											



City of Phoenix

City of Phoenix - Public Transit

Serial #

LOST/FOUND TAG

Date Found: _____

Location: North South West Rail MV

Route #: _____ Run #: _____ Bus/Rail/Van #: _____

Operator/Employee Name: _____

Operator/Employee #: _____

Detailed Description: _____

240-20D Rev. 11/08



City of Phoenix

City of Phoenix - Public Transit
CLAIMANT INFORMATION

Date Claimed: _____ Phone #: _____

Printed Name: _____

Signature: _____

Address: _____

Check the disposition of the item below:

RTO Destroyed/Discarded Deposited Surplused

Handled By: _____

Disposition Date: _____



City of Phoenix

LOST AND FOUND LOG SHEET

LOCATION: North <input type="checkbox"/> South <input type="checkbox"/> West <input type="checkbox"/> Rail <input type="checkbox"/> MV <input type="checkbox"/>					
DATE	TAG #	ROUTE #	VEHICLE #	DESCRIPTION OF ITEM	DISPOSITION OF ITEM

Comments/Discrepancies: _____

Delivered By: _____

Date Delivered: _____

Received By: _____

Date Received: _____

**EXHIBIT 30
DRIVER PADDLE**

Phoenix West

Effective: 01/22/2024

2001uwtf

Weekday

Duty Type	Block	Report Time	Start Place	Start Time	End Time	End Place	Clear Time	Paid Time	Seat Time
SCH	2125	7:02	WEST	7:07	8:13	WEST	8:13	1h11	0h51

Sign-on	7:02	59s / North / 596 / 20162172	O	Pull In
		59th Ave & Van Buren St.....	7:31	59th Ave & Glendale Ave..... 7:59
Block	2125	59th Ave & Thomas Rd.....	7:41	West Transit Facility..... 8:13
		59th Ave & Camelback Rd.....	7:50	
Pull Out		59th Ave & Glendale Ave.....	7:59	
West Transit Facility.....	7:22	-----		
59th Ave & Van Buren St.....	7:31	-----		

Notes: O- These trips operate on Tuesday, Wednesday, Thursday, and Friday on school days only. Times are subject to change.

Phoenix West

Effective: 01/22/2024

2001m
Weekday

Duty Type	Block	Report Time	Start Place	Start Time	End Time	End Place	Clear Time	Paid Time	Seat Time
SCH	2125	8:04	WEST	8:09	9:15	WEST	9:15	1h11	0h51

Sign-on	8:04	59s / North / 596 / 20162174	M	Pull In	
		59th Ave & Van Buren St.....	8:33	59th Ave & Glendale Ave.....	9:01
Block	2125	59th Ave & Thomas Rd.....	8:41	West Transit Facility.....	9:15
		59th Ave & Camelback Rd.....	8:50		
Pull Out		59th Ave & Glendale Ave.....	9:01		
West Transit Facility.....	8:24	-----			
59th Ave & Van Buren St.....	8:33	-----			

Notes: M- These trips operate on Monday on school days only. Times are subject to change.

Phoenix West

Effective: 01/22/2024

2002

Weekday

Duty Type	Block	Report Time	Start Place	Start Time	End Time	End Place	Clear Time	Paid Time	Seat Time
SCH	2155	13:55	WEST	14:00	15:36	WEST	15:36	1h41	1h21

Sign-on	13:55	59s / South / 599 / 20162173	S	Pull In
		59th Ave & Olive Ave.....	14:41	59th Ave & Van Buren St..... 15:27
Block	2155	59th Ave & Glendale Ave.....	14:53	West Transit Facility..... 15:36
		59th Ave & Camelback Rd.....	15:04	
Pull Out		59th Ave & Thomas Rd.....	15:15	
West Transit Facility.....	14:15	59th Ave & Van Buren St.....	15:27	
59th Ave & Olive Ave.....	14:41	-----		

Notes: S- These trips operate on school days only. Times are subject to change.

Phoenix West

Effective: 01/22/2024

2003

Weekday

Duty Type	Block	Report Time	Start Place	Start Time	End Time	End Place	Clear Time	Paid Time	Seat Time
SCH	2159	14:07	WEST	14:12	16:25	WEST	16:25	2h18	1h58

Sign-on	14:07	17s / East / 123 / 20162170			S	Pull In			
		28th St & Camelback Rd.....			15:07	44th St & McDowell Rd.....		15:35	
Block	2159	44th St & McDowell Rd.....			15:35	West Transit Facility.....		16:25	

Pull Out									
		West Transit Facility.....			14:27				
		28th St & Camelback Rd.....			15:07				

Notes: S- These trips operate on school days only. Times are subject to change.

Phoenix West

Effective: 01/22/2024

2004

Weekday

Duty Type	Block	Report Time	Start Place	Start Time	End Time	End Place	Clear Time	Paid Time	Seat Time
SCH	2160	14:12	WEST	14:17	16:30	WEST	16:30	2h18	1h58

Sign-on	14:12	17s / East / 123 / 20162171			S	Pull In			
		28th St & Camelback Rd.....			15:12	44th St & McDowell Rd.....		15:40	
Block	2160	44th St & McDowell Rd.....			15:40	West Transit Facility.....		16:30	

Pull Out		West Transit Facility.....			14:32				
		28th St & Camelback Rd.....			15:12				

Notes: S- These trips operate on school days only. Times are subject to change.

Phoenix West

Effective: 01/22/2024

2005

Weekday

Duty Type	Block	Report Time	Start Place	Start Time	End Time	End Place	Clear Time	Paid Time	Seat Time
ST	2002	2:55	WEST	3:00	12:51	83VB			
	CAR		83VB	12:51	12:58	WEST	12:58	10h03	8h15

Sign-on	2:55	3 / East / 86 / 20162050				Travel by		CAR	
		4th St & La Canada Blvd.....		7:53					
Block	2002	Avondale Civic Center.....		8:07		Car Pull			
		99th Ave & Van Buren St.....		8:13		83rd Ave & Van Buren St.....		12:51	
Pull Out		83rd Ave & Van Buren St.....		8:21		West Transit Facility.....		12:58	
West Transit Facility.....	3:15	67th Ave & Van Buren St.....		8:26					
Galvin Pkwy & Van Buren St...	3:50	51st Ave & Van Buren St.....		8:39		67th Ave & Van Buren St.....		12:56	
		35th Ave & Van Buren St.....		8:50		51st Ave & Van Buren St.....		13:09	
3 / West / 104 / 20162100		19th Ave & Van Buren St.....		9:01		35th Ave & Van Buren St.....		13:20	
Galvin Pkwy & Van Buren St...	3:50	Central Ave & Van Buren St.....		9:10		19th Ave & Van Buren St.....		13:31	
44th St & Van Buren St.....	3:56	24th St & Van Buren St.....		9:24		Central Ave & Van Buren St...		13:40	
24th St & Van Buren St.....	4:06	44th St & Van Buren St.....		9:33		24th St & Van Buren St.....		13:54	
2nd Ave & Van Buren St.....	4:18	Galvin Pkwy & Van Buren St.....		9:40		44th St & Van Buren St.....		14:03	
19th Ave & Van Buren St.....	4:26	Phoenix Zoo.....		9:44		Galvin Pkwy & Van Buren St...		14:10	
35th Ave & Van Buren St.....	4:34					Phoenix Zoo.....		14:14	
51st Ave & Van Buren St.....	4:42	3 / West / 546 / 20162122							
67th Ave & Van Buren St.....	4:49	Phoenix Zoo.....		10:09		3 / West / 546 / 20162140			
83rd Ave & Van Buren St.....	4:57	Galvin Pkwy & Van Buren St.....		10:12		Phoenix Zoo.....		14:39	
		44th St & Van Buren St.....		10:20		Galvin Pkwy & Van Buren St...		14:42	
Deadhead		24th St & Van Buren St.....		10:33		44th St & Van Buren St.....		14:50	
83rd Ave & Van Buren St.....	4:57	2nd Ave & Van Buren St.....		10:48		24th St & Van Buren St.....		15:03	
Galvin Pkwy & Van Buren St...	5:27	19th Ave & Van Buren St.....		10:57		2nd Ave & Van Buren St.....		15:18	
		35th Ave & Van Buren St.....		11:07		19th Ave & Van Buren St.....		15:27	
3 / West / 546 / 20162104		51st Ave & Van Buren St.....		11:17		35th Ave & Van Buren St.....		15:37	
Galvin Pkwy & Van Buren St...	5:46	67th Ave & Van Buren St.....		11:26		51st Ave & Van Buren St.....		15:47	
44th St & Van Buren St.....	5:52	83rd Ave & Van Buren St.....		11:34		67th Ave & Van Buren St.....		15:56	
24th St & Van Buren St.....	6:03	99th Ave & Van Buren St.....		11:42		83rd Ave & Van Buren St.....		16:04	
2nd Ave & Van Buren St.....	6:18	Avondale Civic Center.....		11:50		99th Ave & Van Buren St.....		16:12	
19th Ave & Van Buren St.....	6:27	4th St & La Canada Blvd.....		12:01		Avondale Civic Center.....		16:20	
35th Ave & Van Buren St.....	6:37					4th St & La Canada Blvd.....		16:31	
51st Ave & Van Buren St.....	6:47	3 / East / 86 / 20162068							
67th Ave & Van Buren St.....	6:56	4th St & La Canada Blvd.....		12:23					
83rd Ave & Van Buren St.....	7:04	Avondale Civic Center.....		12:37					
99th Ave & Van Buren St.....	7:12	99th Ave & Van Buren St.....		12:43					
Avondale Civic Center.....	7:20	83rd Ave & Van Buren St.....		12:51					
4th St & La Canada Blvd.....	7:31								

Phoenix West

Effective: 01/22/2024

2006

Weekday

Duty Type	Block	Report Time	Start Place	Start Time	End Time	End Place	Clear Time	Paid Time	Seat Time
ST	2003	3:00	WEST	3:05	10:52	43LB			
	CAR		43LB	10:52	11:13	WEST	11:13	8h13	6h14

Sign-on	3:00	Deadhead		Deadhead					
		43rd Ave & Union Hills Dr.....	6:11	43rd Ave & Union Hills Dr.....	9:15				
Block	2003	43rd Ave & Union Hills Dr.....	6:18	43rd Ave & Union Hills Dr.....	9:22				
<hr/>									
Pull Out		43 / South / 207 / 20161148		43 / South / 207 / 20161156					
West Transit Facility.....	3:20	43rd Ave & Union Hills Dr.....	6:50	43rd Ave & Union Hills Dr.....	9:51				
43rd Ave & Union Hills Dr.....	3:55	43rd Ave & Thunderbird Rd.....	6:58	43rd Ave & Thunderbird Rd.....	9:58				
		43rd Ave & Dunlap Ave.....	7:08	43rd Ave & Dunlap Ave.....	10:08				
43 / South / 207 / 20161984		43rd Ave & Glendale Ave.....	7:16	43rd Ave & Glendale Ave.....	10:16				
43rd Ave & Union Hills Dr.....	3:55	43rd Ave & Camelback Rd.....	7:25	43rd Ave & Camelback Rd.....	10:25				
43rd Ave & Thunderbird Rd.....	4:01	43rd Ave & Thomas Rd.....	7:35	43rd Ave & Thomas Rd.....	10:34				
43rd Ave & Dunlap Ave.....	4:10	43rd Ave & Van Buren St.....	7:46	43rd Ave & Van Buren St.....	10:45				
43rd Ave & Glendale Ave.....	4:17	43rd Ave & Lower Buckeye Rd	7:53	43rd Ave & Lower Buckeye Rd	10:52				
43rd Ave & Camelback Rd.....	4:25								
43rd Ave & Thomas Rd.....	4:33	Deadhead		Travel by	CAR				
43rd Ave & Van Buren St.....	4:42	43rd Ave & Lower Buckeye Rd	7:53						
43rd Ave & Lower Buckeye Rd	4:49	43rd Ave & Lower Buckeye Rd	7:59	Car Pull					
				43rd Ave & Lower Buckeye Rd	10:52				
				West Transit Facility.....	11:13				
<hr/>									
Deadhead		43 / North / 182 / 20161068		43 / North / 182 / 20161077					
43rd Ave & Lower Buckeye Rd	4:49	43rd Ave & Lower Buckeye Rd	8:14	43rd Ave & Lower Buckeye Rd	11:13				
43rd Ave & Lower Buckeye Rd	4:55	43rd Ave & Van Buren St.....	8:21	43rd Ave & Van Buren St.....	11:20				
		43rd Ave & Thomas Rd.....	8:30	43rd Ave & Thomas Rd.....	11:30				
43 / North / 182 / 20161057		43rd Ave & Camelback Rd.....	8:40	43rd Ave & Camelback Rd.....	11:40				
43rd Ave & Lower Buckeye Rd	5:18	43rd Ave & Glendale Ave.....	8:49	43rd Ave & Glendale Ave.....	11:49				
43rd Ave & Van Buren St.....	5:25	43rd Ave & Dunlap Ave.....	8:57	43rd Ave & Dunlap Ave.....	11:57				
43rd Ave & Thomas Rd.....	5:32	43rd Ave & Thunderbird Rd.....	9:06	43rd Ave & Thunderbird Rd.....	12:06				
43rd Ave & Camelback Rd.....	5:40	43rd Ave & Union Hills Dr.....	9:15	43rd Ave & Union Hills Dr.....	12:15				
43rd Ave & Glendale Ave.....	5:47								
43rd Ave & Dunlap Ave.....	5:54								
43rd Ave & Thunderbird Rd.....	6:02								
43rd Ave & Union Hills Dr.....	6:11								

Phoenix West

Effective: 01/22/2024

2007

Weekday

Duty Type	Block	Report Time	Start Place	Start Time	End Time	End Place	Clear Time	Paid Time	Seat Time
ST	2004	3:01	WEST	3:06	9:18	WEST	9:18	6h17	5h09

Sign-on	3:01	Deadhead				29 / West / 35 / 20161482			
		107th Ave & Indian School Rd.		5:15		Pima Park.....			7:38
Block	2004	Thomas Rd at Desert Sky TC..		5:30		Scottsdale Rd & Thomas Rd.....			7:43
						56th St & Thomas Rd.....			7:49
Pull Out		29 / East / 31 / 20161260				44th St & Thomas Rd.....			7:57
West Transit Facility.....	3:21	Thomas Rd at Desert Sky TC..		5:49		24th St & Thomas Rd.....			8:07
56th St & Indian School Rd.....	3:56	67th Ave & Thomas Rd.....		5:57		Central Ave & Thomas Rd.....			8:21
		51st Ave & Thomas Rd.....		6:04		19th Ave & Thomas Rd.....			8:30
41 / West / 724 / 20161979		35th Ave & Thomas Rd.....		6:11		35th Ave & Thomas Rd.....			8:41
56th St & Indian School Rd.....	3:56	19th Ave & Thomas Rd.....		6:21		51st Ave & Thomas Rd.....			8:49
44th St & Indian School Rd.....	3:59	Central Ave & Thomas Rd.....		6:31		67th Ave & Thomas Rd.....			8:56
32nd St & Indian School Rd.....	4:03	24th St & Thomas Rd.....		6:41		Desert Sky TC.....			9:04
24th St & Indian School Rd.....	4:08	44th St & Thomas Rd.....		6:50					
Central Ave & Indian School Rd.	4:20	56th St & Thomas Rd.....		6:55		Pull In			
Central Ave & Indian School Rd.	4:24	Scottsdale Rd & Thomas Rd.....		7:02		Desert Sky TC.....			9:04
19th Ave & Indian School Rd.....	4:31	Pima Park.....		7:09		West Transit Facility.....			9:18
43rd Ave & Indian School Rd.....	4:45								
59th Ave & Indian School Rd.....	4:53								
83rd Ave & Indian School Rd.....	5:05								
107th Ave & Indian School Rd.	5:15								

Phoenix West

Effective: 01/22/2024

2008

Weekday

Duty Type	Block	Report Time	Start Place	Start Time	End Time	End Place	Clear Time	Paid Time	Seat Time
ST	2005	3:04	WEST	3:09	9:13	WEST	9:13	6h09	4h58

Sign-on	3:04	Deadhead				41 / West / 141 / 20161845			
		107th Ave & Indian School Rd.		4:44		Granite Reef Rd & Indian Sch			7:25
Block	2005	99th Ave & McDowell Rd.....		4:52		Scottsdale Rd & Indian School			7:30
						56th St & Indian School Rd.....			7:38
Pull Out						44th St & Indian School Rd.....			7:42
West Transit Facility.....	3:24	99th Ave & McDowell Rd.....		5:12		32nd St & Indian School Rd.....			7:49
Central Ave & Indian School R	3:54	83rd Ave & McDowell Rd.....		5:20		24th St & Indian School Rd.....			7:56
		67th Ave & McDowell Rd.....		5:27		Central Ave & Indian School Rd.			8:10
		43rd Ave & McDowell Rd.....		5:38		Central Ave & Indian School Rd.			8:14
41 / West / 724 / 20161982		19th Ave & McDowell Rd.....		5:52		19th Ave & Indian School Rd.....			8:22
Central Ave & Indian School R	3:54	Central Ave & McDowell Rd.....		6:00		43rd Ave & Indian School Rd.....			8:38
19th Ave & Indian School Rd.....	4:01	24th St & McDowell Rd.....		6:14		59th Ave & Indian School Rd.....			8:48
43rd Ave & Indian School Rd.....	4:15	44th St & McDowell Rd.....		6:26		83rd Ave & Indian School Rd..			9:01
59th Ave & Indian School Rd.....	4:23	52nd St & McDowell Rd.....		6:30					
83rd Ave & Indian School Rd.....	4:35	Scottsdale Rd & McDowell Rd....		6:39		Pull In			
107th Ave & Indian School Rd.	4:44	Pima Rd & McDowell Rd.....		6:47		83rd Ave & Indian School Rd..			9:01
						West Transit Facility.....			9:13
		Deadhead							
		Pima Rd & McDowell Rd.....		6:47					
		Granite Reef Rd & Indian Sch		6:54					

Phoenix West

Effective: 01/22/2024

2009
Weekday

Duty Type	Block	Report Time	Start Place	Start Time	End Time	End Place	Clear Time	Paid Time	Seat Time
ST	2006	3:07	WEST	3:12	9:53	WEST	9:53	6h46	5h32

Sign-on	3:07	Deadhead			Deadhead				
		99th Ave & McDowell Rd.....		5:13	Pima Rd & Chaparral Rd.....			8:01	
Block	2006	107th Ave & Indian School Rd.		5:21	Granite Reef Rd & Indian Sch			8:05	

Pull Out		41 / East / 172 / 20161961			41 / West / 141 / 20161844				
West Transit Facility.....	3:27	107th Ave & Indian School Rd.		5:48	Granite Reef Rd & Indian Sch			8:05	
52nd St & McDowell Rd.....	4:00	83rd Ave & Indian School Rd.....		5:57	Scottsdale Rd & Indian School			8:10	
		59th Ave & Indian School Rd.....		6:08	56th St & Indian School Rd.....			8:18	
		43rd Ave & Indian School Rd.....		6:17	44th St & Indian School Rd.....			8:22	
17 / West / 253 / 20161971		19th Ave & Indian School Rd.....		6:32	32nd St & Indian School Rd.....			8:29	
52nd St & McDowell Rd.....	4:00	Central Ave & Indian School Rd.		6:40	24th St & Indian School Rd.....			8:36	
44th St & McDowell Rd.....	4:04	Central Ave & Indian School Rd.		6:44	Central Ave & Indian School Rd.			8:50	
24th St & McDowell Rd.....	4:17	24th St & Indian School Rd.....		6:58	Central Ave & Indian School Rd.			8:54	
Central Ave & McDowell Rd.....	4:27	32nd St & Indian School Rd.....		7:03	19th Ave & Indian School Rd.....			9:02	
19th Ave & McDowell Rd.....	4:33	44th St & Indian School Rd.....		7:10	43rd Ave & Indian School Rd.....			9:18	
43rd Ave & McDowell Rd.....	4:47	56th St & Indian School Rd.....		7:16	59th Ave & Indian School Rd.....			9:28	
67th Ave & McDowell Rd.....	4:58	Scottsdale Rd & Indian School		7:22	83rd Ave & Indian School Rd..			9:41	
83rd Ave & McDowell Rd.....	5:05	Granite Reef Rd & Indian Sch		7:30					
99th Ave & McDowell Rd.....	5:13								

		Deadhead			Pull In				
		Granite Reef Rd & Indian Sch		7:30	83rd Ave & Indian School Rd..			9:41	
		Pima Rd & Chaparral Rd.....		7:34	West Transit Facility.....			9:53	

Phoenix West

Effective: 01/22/2024

2010

Weekday

Duty Type	Block	Report Time	Start Place	Start Time	End Time	End Place	Clear Time	Paid Time	Seat Time
ST	2007	3:08	WEST	3:13	12:34	83VB			
	CAR		83VB	12:34	12:41	WEST	12:41	9h33	7h27

Sign-on	3:08	3 / West / 546 / 20162108				3 / West / 546 / 20162126			
		Phoenix Zoo.....	6:39	Phoenix Zoo.....	11:09				
Block	2007	Galvin Pkwy & Van Buren St.....	6:42	Galvin Pkwy & Van Buren St.....	11:12				
		44th St & Van Buren St.....	6:50	44th St & Van Buren St.....	11:20				
Pull Out		24th St & Van Buren St.....	7:03	24th St & Van Buren St.....	11:33				
West Transit Facility.....	3:28	2nd Ave & Van Buren St.....	7:18	2nd Ave & Van Buren St.....	11:48				
2nd Ave & Van Buren St.....	3:48	19th Ave & Van Buren St.....	7:27	19th Ave & Van Buren St.....	11:57				
		35th Ave & Van Buren St.....	7:37	35th Ave & Van Buren St.....	12:07				
		51st Ave & Van Buren St.....	7:47	51st Ave & Van Buren St.....	12:17				
3 / West / 104 / 20162167		67th Ave & Van Buren St.....	7:56	67th Ave & Van Buren St.....	12:26				
2nd Ave & Van Buren St.....	3:48	83rd Ave & Van Buren St.....	8:04	83rd Ave & Van Buren St.....	12:34				
19th Ave & Van Buren St.....	3:56	99th Ave & Van Buren St.....	8:12						
35th Ave & Van Buren St.....	4:04	Avondale Civic Center.....	8:20						
51st Ave & Van Buren St.....	4:12	4th St & La Canada Blvd.....	8:31	Travel by		CAR			
67th Ave & Van Buren St.....	4:19								
83rd Ave & Van Buren St.....	4:27								
		3 / East / 86 / 20162054							
Deadhead		4th St & La Canada Blvd.....	8:53	Car Pull					
83rd Ave & Van Buren St.....	4:27	Avondale Civic Center.....	9:07	83rd Ave & Van Buren St.....	12:34	West Transit Facility.....	12:41		
83rd Ave & Van Buren St.....	4:31	99th Ave & Van Buren St.....	9:13						
		83rd Ave & Van Buren St.....	9:21	99th Ave & Van Buren St.....	12:42				
		67th Ave & Van Buren St.....	9:26	Avondale Civic Center.....	12:50				
3 / East / 86 / 20162037		51st Ave & Van Buren St.....	9:39	4th St & La Canada Blvd.....	13:01				
83rd Ave & Van Buren St.....	5:01	35th Ave & Van Buren St.....	9:50						
67th Ave & Van Buren St.....	5:06	19th Ave & Van Buren St.....	10:01	3 / East / 86 / 20162072					
51st Ave & Van Buren St.....	5:15	Central Ave & Van Buren St.....	10:10	4th St & La Canada Blvd.....	13:23				
35th Ave & Van Buren St.....	5:23	24th St & Van Buren St.....	10:24	Avondale Civic Center.....	13:37				
19th Ave & Van Buren St.....	5:32	44th St & Van Buren St.....	10:33	99th Ave & Van Buren St.....	13:43				
Central Ave & Van Buren St.....	5:40	Galvin Pkwy & Van Buren St.....	10:40	83rd Ave & Van Buren St.....	13:51				
24th St & Van Buren St.....	5:51	Phoenix Zoo.....	10:44	67th Ave & Van Buren St.....	13:56				
44th St & Van Buren St.....	5:59			51st Ave & Van Buren St.....	14:09				
Galvin Pkwy & Van Buren St.....	6:06			35th Ave & Van Buren St.....	14:20				
Phoenix Zoo.....	6:10			19th Ave & Van Buren St.....	14:31				
				Central Ave & Van Buren St....	14:40				
				24th St & Van Buren St.....	14:54				
				44th St & Van Buren St.....	15:03				
				Galvin Pkwy & Van Buren St...	15:10				
				Phoenix Zoo.....	15:14				

Phoenix West

Effective: 01/22/2024

2011
Weekday

Duty Type	Block	Report Time	Start Place	Start Time	End Time	End Place	Clear Time	Paid Time	Seat Time
ST	2008	3:11	WEST	3:16	11:33	51VB			
	CAR		51VB	11:33	11:47	WEST	11:47	8h36	7h03

Sign-on	3:11	51 / South / 27 / 20160963	51 / North / 206 / 20161319
		ASU West Campus.....	51st Ave & Pecos Rd.....
Block	2008	51st Ave & Olive Ave.....	Vee Quiva Casino.....
		51st Ave & Glendale Ave.....	51st Ave & Baseline Rd.....
Pull Out		51st Ave & Camelback Rd.....	51st Ave & Lower Buckeye Rd...
West Transit Facility.....	3:31	51st Ave & Thomas Rd.....	51st Ave & Van Buren St.....
ASU West Campus.....	4:04	51st Ave & Van Buren St.....	
		51st Ave & Lower Buckeye Rd...	Travel by
51 / South / 27 / 20161985		51st Ave & Baseline Rd.....	CAR
ASU West Campus.....	4:04		Car Pull
51st Ave & Olive Ave.....	4:15	Deadhead	51st Ave & Van Buren St.....
51st Ave & Glendale Ave.....	4:22	51st Ave & Baseline Rd.....	West Transit Facility.....
51st Ave & Camelback Rd.....	4:28	51st Ave & Baseline Rd.....	
51st Ave & Thomas Rd.....	4:34		51st Ave & Thomas Rd.....
51st Ave & Van Buren St.....	4:44	51 / North / 206 / 20161308	51st Ave & Camelback Rd.....
51st Ave & Lower Buckeye Rd...	4:51	51st Ave & Baseline Rd.....	51st Ave & Glendale Ave.....
51st Ave & Baseline Rd.....	4:59	51st Ave & Lower Buckeye Rd...	51st Ave & Olive Ave.....
		51st Ave & Van Buren St.....	ASU West Campus.....
Deadhead		51st Ave & Thomas Rd.....	
51st Ave & Baseline Rd.....	4:59	51st Ave & Camelback Rd.....	51 / South / 28 / 20161008
51st Ave & Baseline Rd.....	5:04	51st Ave & Glendale Ave.....	ASU West Campus.....
		51st Ave & Olive Ave.....	51st Ave & Olive Ave.....
51 / North / 206 / 20161307		ASU West Campus.....	51st Ave & Glendale Ave.....
51st Ave & Baseline Rd.....	5:20		51st Ave & Camelback Rd.....
51st Ave & Lower Buckeye Rd...	5:28	51 / South / 28 / 20160985	51st Ave & Thomas Rd.....
51st Ave & Van Buren St.....	5:34	ASU West Campus.....	51st Ave & Van Buren St.....
51st Ave & Thomas Rd.....	5:42	51st Ave & Olive Ave.....	51st Ave & Lower Buckeye Rd
51st Ave & Camelback Rd.....	5:50	51st Ave & Glendale Ave.....	51st Ave & Baseline Rd.....
51st Ave & Glendale Ave.....	5:56	51st Ave & Camelback Rd.....	Vee Quiva Casino.....
51st Ave & Olive Ave.....	6:03	51st Ave & Thomas Rd.....	Komatke Health Center.....
ASU West Campus.....	6:14	51st Ave & Van Buren St.....	51st Ave & Pecos Rd.....
		51st Ave & Lower Buckeye Rd...	
		51st Ave & Baseline Rd.....	
		Vee Quiva Casino.....	
		Komatke Health Center.....	
		51st Ave & Pecos Rd.....	

Phoenix West

Effective: 01/22/2024

2012

Weekday

Duty Type	Block	Report Time	Start Place	Start Time	End Time	End Place	Clear Time	Paid Time	Seat Time
ST	2009	3:12	WEST	3:17	9:51	WEST	9:51	6h39	5h57

Sign-on	3:12	17 / East / 132 / 20161042				17 / West / 127 / 20161628			
		Pebble Creek Pkwy & McDow	5:07			Pima Rd & McDowell Rd.....			7:30
Block	2009	Litchfield Rd & McDowell Rd.....	5:14			Scottsdale Rd & McDowell Rd....			7:37
		99th Ave & McDowell Rd.....	5:29			52nd St & McDowell Rd.....			7:45
Pull Out		83rd Ave & McDowell Rd.....	5:37			44th St & McDowell Rd.....			7:49
West Transit Facility.....	3:32	67th Ave & McDowell Rd.....	5:44			24th St & McDowell Rd.....			8:04
Central Ave & McDowell Rd....	3:57	43rd Ave & McDowell Rd.....	5:55			Central Ave & McDowell Rd.....			8:17
		19th Ave & McDowell Rd.....	6:10			19th Ave & McDowell Rd.....			8:25
17 / West / 253 / 20161972		Central Ave & McDowell Rd.....	6:20			43rd Ave & McDowell Rd.....			8:42
Central Ave & McDowell Rd....	3:57	24th St & McDowell Rd.....	6:34			67th Ave & McDowell Rd.....			8:54
19th Ave & McDowell Rd.....	4:03	44th St & McDowell Rd.....	6:46			83rd Ave & McDowell Rd.....			9:01
43rd Ave & McDowell Rd.....	4:17	52nd St & McDowell Rd.....	6:50			99th Ave & McDowell Rd.....			9:09
67th Ave & McDowell Rd.....	4:28	Scottsdale Rd & McDowell Rd....	6:59			Litchfield Rd & McDowell Rd.....			9:24
83rd Ave & McDowell Rd.....	4:35	Pima Rd & McDowell Rd.....	7:07			Pebble Creek Pkwy & McDow			9:31
99th Ave & McDowell Rd.....	4:43								
Deadhead		Deadhead				Pull In			
		Pima Rd & McDowell Rd.....	7:07			Pebble Creek Pkwy & McDow			9:31
99th Ave & McDowell Rd.....	4:43	Pima Rd & McDowell Rd.....	7:14			West Transit Facility.....			9:51
Pebble Creek Pkwy & McDow	5:01								

Phoenix West

Effective: 01/22/2024

2013

Weekday

Duty Type	Block	Report Time	Start Place	Start Time	End Time	End Place	Clear Time	Paid Time	Seat Time
ST	2011	3:14	WEST 107I-E	3:19	12:05	107I-E	12:22	9h08	6h52

Sign-on	3:14	Deadhead				41 / West / 724 / 20161840			
		107th Ave & Indian School Rd.		6:50		Granite Reef Rd & Indian Sch		9:55	
Block	2011	107th Ave & Indian School Rd.		6:56		Scottsdale Rd & Indian School		10:00	
						56th St & Indian School Rd.....		10:08	
Pull Out		41 / East / 172 / 20161957				44th St & Indian School Rd.....		10:12	
West Transit Facility.....	3:34	107th Ave & Indian School Rd.		7:23		32nd St & Indian School Rd.....		10:19	
Central Ave & Indian School R	4:04	83rd Ave & Indian School Rd.....		7:32		24th St & Indian School Rd.....		10:26	
		59th Ave & Indian School Rd.....		7:46		Central Ave & Indian School Rd.		10:40	
		43rd Ave & Indian School Rd.....		7:55		Central Ave & Indian School Rd.		10:44	
41 / East / 267 / 20161981		19th Ave & Indian School Rd.....		8:12		19th Ave & Indian School Rd.....		10:53	
Central Ave & Indian School R	4:04	Central Ave & Indian School Rd.		8:20		43rd Ave & Indian School Rd.....		11:09	
24th St & Indian School Rd.....	4:13	Central Ave & Indian School Rd.		8:24		59th Ave & Indian School Rd.....		11:19	
32nd St & Indian School Rd.....	4:17	24th St & Indian School Rd.....		8:38		83rd Ave & Indian School Rd.....		11:32	
44th St & Indian School Rd.....	4:22	32nd St & Indian School Rd.....		8:43		107th Ave & Indian School Rd.		11:42	
56th St & Indian School Rd.....	4:27	44th St & Indian School Rd.....		8:49					
		56th St & Indian School Rd.....		8:55		Deadhead			
Deadhead		Scottsdale Rd & Indian School		9:01		107th Ave & Indian School Rd.		11:42	
56th St & Indian School Rd.....	4:27	Granite Reef Rd & Indian Sch		9:09		107th Ave & Indian School Rd.		11:48	
Granite Reef Rd & Indian Sch	4:37								
		41 / West / 724 / 20161852				Travel by		CAR	
Granite Reef Rd & Indian Sch	5:11	Deadhead							
Scottsdale Rd & Indian School	5:15	Granite Reef Rd & Indian Sch		9:09		Car Pull			
56th St & Indian School Rd.....	5:23	Pima Rd & Chaparral Rd.....		9:13		107th Ave & Indian School Rd.		12:05	
44th St & Indian School Rd.....	5:27					West Transit Facility.....		12:22	
32nd St & Indian School Rd.....	5:33	Deadhead							
24th St & Indian School Rd.....	5:38	Pima Rd & Chaparral Rd.....		9:51		41 / East / 172 / 20161950			
Central Ave & Indian School Rd.	5:50	Granite Reef Rd & Indian Sch		9:55		<i>107th Ave & Indian School Rd.</i>		<i>12:05</i>	
Central Ave & Indian School Rd.	5:54					<i>83rd Ave & Indian School Rd..</i>		<i>12:14</i>	
19th Ave & Indian School Rd.....	6:01					<i>59th Ave & Indian School Rd...</i>		<i>12:25</i>	
43rd Ave & Indian School Rd.....	6:17					<i>43rd Ave & Indian School Rd..</i>		<i>12:34</i>	
59th Ave & Indian School Rd.....	6:27					<i>19th Ave & Indian School Rd...</i>		<i>12:50</i>	
83rd Ave & Indian School Rd.....	6:40					<i>Central Ave & Indian School R</i>		<i>13:00</i>	
107th Ave & Indian School Rd.	6:50					<i>Central Ave & Indian School R</i>		<i>13:04</i>	
						<i>24th St & Indian School Rd.....</i>		<i>13:18</i>	
						<i>32nd St & Indian School Rd....</i>		<i>13:23</i>	
						<i>44th St & Indian School Rd.....</i>		<i>13:29</i>	
						<i>56th St & Indian School Rd.....</i>		<i>13:35</i>	
						<i>Scottsdale Rd & Indian Schoo</i>		<i>13:41</i>	
						<i>Granite Reef Rd & Indian Sch</i>		<i>13:49</i>	

Phoenix West

Effective: 01/22/2024

2014
Weekday

Duty Type	Block	Report Time	Start Place	Start Time	End Time	End Place	Clear Time	Paid Time	Seat Time
ST	2012	3:15	WEST	3:20	13:22	43LB			
	CAR		43LB	13:22	13:43	WEST	13:43	10h28	7h42

Sign-on	3:15	Deadhead			43 / North / 182 / 20161076	
		43rd Ave & Lower Buckeye Rd	7:23	43rd Ave & Lower Buckeye Rd	10:43	
Block	2012	43rd Ave & Lower Buckeye Rd	7:29	43rd Ave & Van Buren St.....	10:50	
				43rd Ave & Thomas Rd.....	11:00	
Pull Out		43 / North / 182 / 20161064		43rd Ave & Camelback Rd.....	11:10	
West Transit Facility.....	3:35	43rd Ave & Lower Buckeye Rd	7:44	43rd Ave & Glendale Ave.....	11:19	
43rd Ave & Camelback Rd.....	3:55	43rd Ave & Van Buren St.....	7:51	43rd Ave & Dunlap Ave.....	11:27	
		43rd Ave & Thomas Rd.....	8:00	43rd Ave & Thunderbird Rd.....	11:36	
43 / South / 207 / 20161986		43rd Ave & Camelback Rd.....	8:10	43rd Ave & Union Hills Dr.....	11:45	
43rd Ave & Camelback Rd.....	3:55	43rd Ave & Glendale Ave.....	8:19			
43rd Ave & Thomas Rd.....	4:03	43rd Ave & Dunlap Ave.....	8:27	Deadhead		
43rd Ave & Van Buren St.....	4:12	43rd Ave & Thunderbird Rd.....	8:36	43rd Ave & Union Hills Dr.....	11:45	
43rd Ave & Lower Buckeye Rd	4:19	43rd Ave & Union Hills Dr.....	8:45	43rd Ave & Union Hills Dr.....	11:52	
Deadhead		Deadhead		43 / South / 207 / 20161165		
43rd Ave & Lower Buckeye Rd	4:19	43rd Ave & Union Hills Dr.....	8:45	43rd Ave & Union Hills Dr.....	12:21	
43rd Ave & Lower Buckeye Rd	4:25	43rd Ave & Union Hills Dr.....	8:52	43rd Ave & Thunderbird Rd.....	12:28	
				43rd Ave & Dunlap Ave.....	12:38	
43 / North / 182 / 20161054		43 / South / 207 / 20161154		43rd Ave & Glendale Ave.....	12:46	
43rd Ave & Lower Buckeye Rd	4:48	43rd Ave & Union Hills Dr.....	9:21	43rd Ave & Camelback Rd.....	12:55	
43rd Ave & Van Buren St.....	4:55	43rd Ave & Thunderbird Rd.....	9:28	43rd Ave & Thomas Rd.....	13:04	
43rd Ave & Thomas Rd.....	5:02	43rd Ave & Dunlap Ave.....	9:38	43rd Ave & Van Buren St.....	13:15	
43rd Ave & Camelback Rd.....	5:10	43rd Ave & Glendale Ave.....	9:46	43rd Ave & Lower Buckeye Rd	13:22	
43rd Ave & Glendale Ave.....	5:17	43rd Ave & Camelback Rd.....	9:55			
43rd Ave & Dunlap Ave.....	5:24	43rd Ave & Thomas Rd.....	10:04	Travel by	CAR	
43rd Ave & Thunderbird Rd.....	5:32	43rd Ave & Van Buren St.....	10:15			
43rd Ave & Union Hills Dr.....	5:39	43rd Ave & Lower Buckeye Rd	10:22	Car Pull		
				43rd Ave & Lower Buckeye Rd	13:22	
Deadhead		Deadhead		West Transit Facility.....	13:43	
43rd Ave & Union Hills Dr.....	5:39	43rd Ave & Lower Buckeye Rd	10:22			
43rd Ave & Union Hills Dr.....	5:46	43rd Ave & Lower Buckeye Rd	10:28	43 / North / 182 / 20161086		
				43rd Ave & Lower Buckeye Rd	13:42	
43 / South / 207 / 20161146				43rd Ave & Van Buren St.....	13:49	
43rd Ave & Union Hills Dr.....	6:21			43rd Ave & Thomas Rd.....	13:59	
43rd Ave & Thunderbird Rd.....	6:28			43rd Ave & Camelback Rd.....	14:10	
43rd Ave & Dunlap Ave.....	6:38			43rd Ave & Glendale Ave.....	14:19	
43rd Ave & Glendale Ave.....	6:46			43rd Ave & Dunlap Ave.....	14:28	
43rd Ave & Camelback Rd.....	6:55			43rd Ave & Thunderbird Rd.....	14:37	
43rd Ave & Thomas Rd.....	7:05			43rd Ave & Union Hills Dr.....	14:46	
43rd Ave & Van Buren St.....	7:16					
43rd Ave & Lower Buckeye Rd	7:23					

Phoenix West

Effective: 01/22/2024

2015
Weekday

Duty Type	Block	Report Time	Start Place	Start Time	End Time	End Place	Clear Time	Paid Time	Seat Time
ST	2013	3:17	WEST	3:22	9:42	WEST	9:42	6h25	5h17

Sign-on	3:17	Deadhead	29 / West / 199 / 20161478
		93rd Ave & Thomas Rd.....	5:28 Pima Park..... 7:54
Block	2013	94th Av Layover.....	5:29 Scottsdale Rd & Thomas Rd..... 7:59
		56th St & Thomas Rd..... 8:05	
Pull Out		Deadhead	44th St & Thomas Rd..... 8:13
West Transit Facility.....	3:37	94th Av Layover.....	5:53 24th St & Thomas Rd..... 8:23
56th St & Thomas Rd.....	4:12	93rd Ave & Thomas Rd.....	5:54 Central Ave & Thomas Rd..... 8:37
		19th Ave & Thomas Rd..... 8:46	
29 / West / 199 / 20161978		29 / East / 31 / 20161517	35th Ave & Thomas Rd..... 8:57
56th St & Thomas Rd.....	4:12	93rd Ave & Thomas Rd.....	5:54 51st Ave & Thomas Rd..... 9:05
44th St & Thomas Rd.....	4:19	Thomas Rd at Desert Sky TC....	6:00 67th Ave & Thomas Rd..... 9:12
24th St & Thomas Rd.....	4:27	67th Ave & Thomas Rd.....	6:09 Desert Sky TC..... 9:20
Central Ave & Thomas Rd.....	4:38	51st Ave & Thomas Rd.....	6:20 Desert Sky TC..... 9:23
19th Ave & Thomas Rd.....	4:46	35th Ave & Thomas Rd.....	6:27 93rd Ave & Thomas Rd..... 9:29
35th Ave & Thomas Rd.....	4:56	19th Ave & Thomas Rd.....	6:37
51st Ave & Thomas Rd.....	5:04	Central Ave & Thomas Rd.....	6:47 Pull In
67th Ave & Thomas Rd.....	5:11	24th St & Thomas Rd.....	6:57 93rd Ave & Thomas Rd..... 9:29
Desert Sky TC.....	5:19	44th St & Thomas Rd.....	7:11 West Transit Facility..... 9:42
Desert Sky TC.....	5:22	56th St & Thomas Rd.....	7:16
93rd Ave & Thomas Rd.....	5:28	Scottsdale Rd & Thomas Rd.....	7:23
		Pima Park.....	7:30

Phoenix West

Effective: 01/22/2024

2016

Weekday

Duty Type	Block	Report Time	Start Place	Start Time	End Time	End Place	Clear Time	Paid Time	Seat Time
ST	2014	3:20	WEST 94TH	3:25	11:34	94TH	11:50	8h30	6h50

Sign-on	3:20	Deadhead	Deadhead
		83rd Ave & Indian School Rd..	93rd Ave & Thomas Rd..... 11:04
Block	2014	93rd Ave & Thomas Rd.....	94th Av Layover..... 11:05

Pull Out		29 / East / 31 / 20161534	Travel by CAR
West Transit Facility.....	3:40	93rd Ave & Thomas Rd.....	7:20
83rd Ave & Indian School Rd..	3:52	Thomas Rd at Desert Sky TC....	7:26

41 / East / 267 / 20161983		67th Ave & Thomas Rd.....	7:35
83rd Ave & Indian School Rd..	3:52	51st Ave & Thomas Rd.....	7:46
59th Ave & Indian School Rd.....	4:02	35th Ave & Thomas Rd.....	7:55
43rd Ave & Indian School Rd.....	4:09	19th Ave & Thomas Rd.....	8:10
19th Ave & Indian School Rd.....	4:22	Central Ave & Thomas Rd.....	8:23
Central Ave & Indian School Rd.	4:30	24th St & Thomas Rd.....	8:33
Central Ave & Indian School Rd.	4:34	44th St & Thomas Rd.....	8:47
24th St & Indian School Rd.....	4:43	56th St & Thomas Rd.....	8:52
32nd St & Indian School Rd.....	4:47	Scottsdale Rd & Thomas Rd....	8:59
44th St & Indian School Rd.....	4:52	Pima Park.....	9:06
56th St & Indian School Rd....	4:57	-----	
		29 / West / 199 / 20161465	
Deadhead		Pima Park.....	9:23
56th St & Indian School Rd....	4:57	Scottsdale Rd & Thomas Rd....	9:28
Granite Reef Rd & Indian Sch	5:07	56th St & Thomas Rd.....	9:34

41 / West / 141 / 20161851		44th St & Thomas Rd.....	9:42
Granite Reef Rd & Indian Sch	5:30	24th St & Thomas Rd.....	9:54
Scottsdale Rd & Indian School	5:34	Central Ave & Thomas Rd.....	10:08
56th St & Indian School Rd.....	5:42	19th Ave & Thomas Rd.....	10:18
44th St & Indian School Rd.....	5:46	35th Ave & Thomas Rd.....	10:30
32nd St & Indian School Rd.....	5:52	51st Ave & Thomas Rd.....	10:39
24th St & Indian School Rd.....	5:57	67th Ave & Thomas Rd.....	10:47
Central Ave & Indian School Rd.	6:10	Desert Sky TC.....	10:55
Central Ave & Indian School Rd.	6:14	Desert Sky TC.....	10:58
19th Ave & Indian School Rd.....	6:22	93rd Ave & Thomas Rd.....	11:04
43rd Ave & Indian School Rd.....	6:38	-----	
59th Ave & Indian School Rd.....	6:48		
83rd Ave & Indian School Rd..	7:01		

Phoenix West

Effective: 01/22/2024

2017

Weekday

Duty Type	Block	Report Time	Start Place	Start Time	End Time	End Place	Clear Time	Paid Time	Seat Time
ST	2015 CAR	3:20	WEST 75LB	3:25 12:36	12:36 12:46	75LB WEST	12:46	9h26	7h02

Sign-on	3:20	Deadhead				67 / South / 254 / 20161610			
		Sierra Linda HS-South.....	6:23	67th Ave & Union Hills Dr.....	9:52				
Block	2015	75th Ave & Lower Buckeye Rd	6:28	67th Ave & Thunderbird Rd.....	10:00				
				67th Ave & Olive Ave.....	10:09				
Pull Out		75 / North / 147 / 20161747		67th Ave & Glendale Ave.....	10:17				
West Transit Facility.....	3:40	75th Ave & Lower Buckeye Rd	6:48	67th Ave & Camelback Rd.....	10:26				
75th Ave & Lower Buckeye Rd	3:50	75th Ave & Van Buren St.....	6:54	67th Ave & Thomas Rd.....	10:35				
		Desert Sky TC.....	7:07	67th Ave & Van Buren St.....	10:45				
75 / North / 147 / 20162169		75th Ave & Camelback Rd.....	7:17	Sierra Linda HS-South.....	10:53				
75th Ave & Lower Buckeye Rd	3:50								
75th Ave & Van Buren St.....	3:54	Deadhead		Deadhead					
Desert Sky TC.....	4:07	75th Ave & Camelback Rd.....	7:17	Sierra Linda HS-South.....	10:53				
75th Ave & Camelback Rd.....	4:15	75th Ave & Camelback Rd.....	7:29	75th Ave & Lower Buckeye Rd	10:58				
Deadhead		75 / South / 149 / 20161699		75 / North / 147 / 20161761					
75th Ave & Camelback Rd.....	4:15	75th Ave & Camelback Rd.....	7:36	75th Ave & Lower Buckeye Rd	11:17				
67th Ave & Camelback Rd.....	4:18	Desert Sky TC.....	7:47	75th Ave & Van Buren St.....	11:22				
		75th Ave & Van Buren St.....	7:58	Desert Sky TC.....	11:37				
67 / South / 254 / 20161997		75th Ave & Lower Buckeye Rd	8:02	75th Ave & Camelback Rd.....	11:46				
67th Ave & Camelback Rd.....	4:26								
67th Ave & Thomas Rd.....	4:35	Deadhead		Deadhead					
67th Ave & Van Buren St.....	4:45	75th Ave & Lower Buckeye Rd	8:02	75th Ave & Camelback Rd.....	11:46				
Sierra Linda HS-South.....	4:53	Sierra Linda HS-North.....	8:07	75th Ave & Camelback Rd.....	11:58				
Deadhead		67 / North / 108 / 20161230		75 / South / 149 / 20161709					
Sierra Linda HS-South.....	4:53	Sierra Linda HS-North.....	8:25	75th Ave & Camelback Rd.....	12:07				
75th Ave & Lower Buckeye Rd	4:58	67th Ave & Van Buren St.....	8:36	Desert Sky TC.....	12:17				
		67th Ave & Thomas Rd.....	8:45	75th Ave & Van Buren St.....	12:30				
75 / North / 147 / 20161742		67th Ave & Camelback Rd.....	8:54	75th Ave & Lower Buckeye Rd	12:36				
75th Ave & Lower Buckeye Rd	5:18	67th Ave & Glendale Ave.....	9:05						
75th Ave & Van Buren St.....	5:24	67th Ave & Olive Ave.....	9:13	Travel by	CAR				
Desert Sky TC.....	5:37	67th Ave & Thunderbird Rd.....	9:22						
75th Ave & Camelback Rd.....	5:45	67th Ave & Union Hills Dr.....	9:32	Car Pull					
				75th Ave & Lower Buckeye Rd	12:36				
Deadhead		Deadhead		West Transit Facility.....	12:46				
75th Ave & Camelback Rd.....	5:45	67th Ave & Union Hills Dr.....	9:32						
67th Ave & Camelback Rd.....	5:48	67th Ave & Union Hills Dr.....	9:37						
67 / South / 254 / 20161581				67 / North / 108 / 20161204					
67th Ave & Camelback Rd.....	5:56			Sierra Linda HS-North.....	12:54				
67th Ave & Thomas Rd.....	6:05			67th Ave & Van Buren St.....	13:05				
67th Ave & Van Buren St.....	6:15			67th Ave & Thomas Rd.....	13:15				
Sierra Linda HS-South.....	6:23			67th Ave & Camelback Rd.....	13:24				
				67th Ave & Glendale Ave.....	13:35				
				67th Ave & Olive Ave.....	13:44				
				67th Ave & Thunderbird Rd.....	13:54				
				67th Ave & Union Hills Dr.....	14:04				

Phoenix West

Effective: 01/22/2024

2018

Weekday

Duty Type	Block	Report Time	Start Place	Start Time	End Time	End Place	Clear Time	Paid Time	Seat Time
ST	2016	3:20	WEST	3:25	12:03	75LB			
	CAR		75LB	12:03	12:13	WEST	12:13	8h53	6h35

Sign-on	3:20	75 / North / 147 / 20161746							
		75th Ave & Lower Buckeye Rd	6:18						
Block	2016	75th Ave & Van Buren St.....	6:24						
		Desert Sky TC.....	6:37						
Pull Out		75th Ave & Camelback Rd.....	6:47						
		75 / North / 147 / 20161755							
West Transit Facility.....	3:40								
67th Ave & Camelback Rd.....	3:56	Deadhead							
		75th Ave & Lower Buckeye Rd	10:47						
		75th Ave & Van Buren St.....	10:52						
		Desert Sky TC.....	11:07						
		75th Ave & Camelback Rd.....	11:16						
		67 / South / 254 / 20161998							
67th Ave & Camelback Rd.....	3:56								
67th Ave & Thomas Rd.....	4:05	75 / South / 149 / 20161698							
67th Ave & Van Buren St.....	4:15	75th Ave & Camelback Rd.....	7:06						
Sierra Linda HS-South.....	4:23	Desert Sky TC.....	7:17						
		75th Ave & Van Buren St.....	7:28						
		75th Ave & Lower Buckeye Rd	7:32						
Deadhead									
Sierra Linda HS-South.....	4:23	75 / South / 149 / 20161707							
75th Ave & Lower Buckeye Rd	4:28	75th Ave & Camelback Rd.....	11:37						
		Desert Sky TC.....	11:47						
		75th Ave & Lower Buckeye Rd	12:03						
		75 / North / 147 / 20161741							
75th Ave & Lower Buckeye Rd	4:50	Sierra Linda HS-North.....	7:37						
75th Ave & Van Buren St.....	4:54	67 / North / 108 / 20161236							
Desert Sky TC.....	5:07	Sierra Linda HS-North.....	7:55						
75th Ave & Camelback Rd.....	5:15	67th Ave & Van Buren St.....	8:06						
		67th Ave & Thomas Rd.....	8:16						
		67th Ave & Camelback Rd.....	8:24						
		67th Ave & Glendale Ave.....	8:35						
		67th Ave & Olive Ave.....	8:43						
		67th Ave & Thunderbird Rd.....	8:52						
		67th Ave & Union Hills Dr.....	9:02						
Deadhead									
75th Ave & Camelback Rd.....	5:15	67 / South / 254 / 20161578							
67th Ave & Camelback Rd.....	5:18	67th Ave & Union Hills Dr.....	9:02						
		67th Ave & Union Hills Dr.....	9:07						
		67 / North / 108 / 20161206							
		Sierra Linda HS-North.....	12:24						
		67th Ave & Van Buren St.....	12:35						
		67th Ave & Thomas Rd.....	12:45						
		67th Ave & Camelback Rd.....	12:54						
		67th Ave & Glendale Ave.....	13:05						
		67th Ave & Olive Ave.....	13:14						
		67th Ave & Thunderbird Rd.....	13:24						
		67th Ave & Union Hills Dr.....	13:34						
Deadhead		67 / South / 254 / 20161608							
Sierra Linda HS-South.....	5:53	67th Ave & Union Hills Dr.....	9:22						
75th Ave & Lower Buckeye Rd	5:58	67th Ave & Thunderbird Rd.....	9:30						
		67th Ave & Olive Ave.....	9:39						
		67th Ave & Glendale Ave.....	9:47						
		67th Ave & Camelback Rd.....	9:56						
		67th Ave & Thomas Rd.....	10:05						
		67th Ave & Van Buren St.....	10:15						
		Sierra Linda HS-South.....	10:23						

Deadhead
Sierra Linda HS-South..... 10:23
75th Ave & Lower Buckeye Rd 10:28

75 / North / 147 / 20161755
75th Ave & Lower Buckeye Rd 10:47
 75th Ave & Van Buren St..... 10:52
 Desert Sky TC..... 11:07
75th Ave & Camelback Rd..... 11:16

Deadhead
75th Ave & Camelback Rd..... 11:16
75th Ave & Camelback Rd..... 11:28

75 / South / 149 / 20161707
75th Ave & Camelback Rd..... 11:37
 Desert Sky TC..... 11:47
 75th Ave & Van Buren St..... 11:58
75th Ave & Lower Buckeye Rd 12:03

Travel by CAR

Car Pull
75th Ave & Lower Buckeye Rd 12:03
West Transit Facility..... 12:13

67 / North / 108 / 20161206
 Sierra Linda HS-North..... 12:24
 67th Ave & Van Buren St..... 12:35
 67th Ave & Thomas Rd..... 12:45
 67th Ave & Camelback Rd..... 12:54
 67th Ave & Glendale Ave..... 13:05
 67th Ave & Olive Ave..... 13:14
 67th Ave & Thunderbird Rd..... 13:24
 67th Ave & Union Hills Dr..... 13:34

Phoenix West

Effective: 01/22/2024

2019

Weekday

Duty Type	Block	Report Time	Start Place	Start Time	End Time	End Place	Clear Time	Paid Time	Seat Time
ST	2017	3:22	WEST	3:27	11:51	83VB			
	CAR		83VB	11:51	11:58	WEST	11:58	8h36	6h46

Sign-on	3:22	3 / East / 86 / 20162046		Travel by	CAR
		4th St & La Canada Blvd.....	6:53		
Block	2017	Avondale Civic Center.....	7:07	Car Pull	
		99th Ave & Van Buren St.....	7:13	83rd Ave & Van Buren St.....	11:51
Pull Out		83rd Ave & Van Buren St.....	7:21	West Transit Facility.....	11:58
West Transit Facility.....	3:42	67th Ave & Van Buren St.....	7:26		
19th Ave & Van Buren St.....	4:02	51st Ave & Van Buren St.....	7:39	67th Ave & Van Buren St.....	11:56
		35th Ave & Van Buren St.....	7:50	51st Ave & Van Buren St.....	12:09
3 / East / 181 / 20162034		19th Ave & Van Buren St.....	8:01	35th Ave & Van Buren St.....	12:20
19th Ave & Van Buren St.....	4:02	Central Ave & Van Buren St.....	8:10	19th Ave & Van Buren St.....	12:31
Central Ave & Van Buren St.....	4:10	24th St & Van Buren St.....	8:24	Central Ave & Van Buren St....	12:40
24th St & Van Buren St.....	4:21	44th St & Van Buren St.....	8:33	24th St & Van Buren St.....	12:54
44th St & Van Buren St.....	4:29	Galvin Pkwy & Van Buren St.....	8:40	44th St & Van Buren St.....	13:03
Galvin Pkwy & Van Buren St...	4:35	Phoenix Zoo.....	8:44	Galvin Pkwy & Van Buren St...	13:10
				Phoenix Zoo.....	13:14
Deadhead		3 / West / 546 / 20162118			
Galvin Pkwy & Van Buren St...	4:35	Phoenix Zoo.....	9:09	3 / West / 546 / 20162136	
Galvin Pkwy & Van Buren St...	4:41	Galvin Pkwy & Van Buren St.....	9:12	Phoenix Zoo.....	13:39
		44th St & Van Buren St.....	9:20	Galvin Pkwy & Van Buren St...	13:42
3 / West / 104 / 20162102		24th St & Van Buren St.....	9:33	44th St & Van Buren St.....	13:50
Galvin Pkwy & Van Buren St...	4:50	2nd Ave & Van Buren St.....	9:48	24th St & Van Buren St.....	14:03
44th St & Van Buren St.....	4:56	19th Ave & Van Buren St.....	9:57	2nd Ave & Van Buren St.....	14:18
24th St & Van Buren St.....	5:06	35th Ave & Van Buren St.....	10:07	19th Ave & Van Buren St.....	14:27
2nd Ave & Van Buren St.....	5:18	51st Ave & Van Buren St.....	10:17	35th Ave & Van Buren St.....	14:37
19th Ave & Van Buren St.....	5:26	67th Ave & Van Buren St.....	10:26	51st Ave & Van Buren St.....	14:47
35th Ave & Van Buren St.....	5:34	83rd Ave & Van Buren St.....	10:34	67th Ave & Van Buren St.....	14:56
51st Ave & Van Buren St.....	5:42	99th Ave & Van Buren St.....	10:42	83rd Ave & Van Buren St.....	15:04
67th Ave & Van Buren St.....	5:49	Avondale Civic Center.....	10:50	99th Ave & Van Buren St.....	15:12
83rd Ave & Van Buren St.....	5:57	4th St & La Canada Blvd.....	11:01	Avondale Civic Center.....	15:20
				4th St & La Canada Blvd.....	15:31
Deadhead		3 / East / 86 / 20162064			
83rd Ave & Van Buren St.....	5:57	4th St & La Canada Blvd.....	11:23		
4th St & La Canada Blvd.....	6:19	Avondale Civic Center.....	11:37		
		99th Ave & Van Buren St.....	11:43		
		83rd Ave & Van Buren St.....	11:51		

Phoenix West

Effective: 01/22/2024

2020

Weekday

Duty Type	Block	Report Time	Start Place	Start Time	End Time	End Place	Clear Time	Paid Time	Seat Time
ST	2018 CAR	3:22	WEST 51HD	3:27 11:04	11:04 11:15	51HD WEST	11:15	7h53	6h03

Sign-on	3:22	59 / South / 220 / 20161430				59 / South / 220 / 20161438			
		59th Ave & Beardsley Rd.....	6:49			59th Ave & Beardsley Rd.....		9:49	
Block	2018	59th Ave & Bell Rd.....	6:55			59th Ave & Bell Rd.....		9:55	
		59th Ave & Thunderbird Rd.....	7:01			59th Ave & Thunderbird Rd.....		10:02	
Pull Out		59th Ave & Olive Ave.....	7:14			59th Ave & Olive Ave.....		10:15	
West Transit Facility.....	3:42	59th Ave & Glendale Ave.....	7:25			59th Ave & Glendale Ave.....		10:26	
59th Ave & Buckeye Rd.....	3:54	59th Ave & Camelback Rd.....	7:36			59th Ave & Camelback Rd.....		10:36	
		59th Ave & Thomas Rd.....	7:45			59th Ave & Thomas Rd.....		10:46	
59 / North / 266 / 20161992		59th Ave & Van Buren St.....	7:55			59th Ave & Van Buren St.....		10:57	
59th Ave & Buckeye Rd.....	3:54	59th Ave & Buckeye Rd.....	7:58			59th Ave & Buckeye Rd.....		11:00	
59th Ave & Van Buren St.....	3:56								
59th Ave & Thomas Rd.....	4:04	Deadhead				Deadhead			
59th Ave & Camelback Rd.....	4:13	59th Ave & Buckeye Rd.....	7:58			59th Ave & Buckeye Rd.....		11:00	
		51st Ave & Hadley St.....	8:02			51st Ave & Hadley St.....		11:04	
Deadhead									
59th Ave & Camelback Rd.....	4:13	Deadhead				Travel by		CAR	
59th Ave & Camelback Rd.....	4:17	51st Ave & Hadley St.....	8:20						
		59th Ave & Buckeye Rd.....	8:24			Car Pull			
59 / South / 220 / 20161993						51st Ave & Hadley St.....		11:04	
59th Ave & Camelback Rd.....	4:36	59 / North / 830 / 20161477				West Transit Facility.....		11:15	
59th Ave & Thomas Rd.....	4:44	59th Ave & Buckeye Rd.....	8:24						
59th Ave & Van Buren St.....	4:54	59th Ave & Van Buren St.....	8:26			59 / North / 830 / 20161485			
59th Ave & Buckeye Rd.....	4:57	59th Ave & Thomas Rd.....	8:34			<i>59th Ave & Buckeye Rd.....</i>		<i>11:24</i>	
		59th Ave & Camelback Rd.....	8:43			<i>59th Ave & Van Buren St.....</i>		<i>11:26</i>	
Deadhead		59th Ave & Glendale Ave.....	8:54			<i>59th Ave & Thomas Rd.....</i>		<i>11:34</i>	
59th Ave & Buckeye Rd.....	4:57	59th Ave & Olive Ave.....	9:04			<i>59th Ave & Camelback Rd.....</i>		<i>11:43</i>	
51st Ave & Hadley St.....	5:01	59th Ave & Thunderbird Rd.....	9:15			<i>59th Ave & Glendale Ave.....</i>		<i>11:54</i>	
		59th Ave & Bell Rd.....	9:24			<i>59th Ave & Olive Ave.....</i>		<i>12:04</i>	
Deadhead		59th Ave & Beardsley Rd.....	9:33			<i>59th Ave & Thunderbird Rd.....</i>		<i>12:16</i>	
51st Ave & Hadley St.....	5:20					<i>59th Ave & Bell Rd.....</i>		<i>12:25</i>	
59th Ave & Buckeye Rd.....	5:24					<i>59th Ave & Beardsley Rd.....</i>		<i>12:34</i>	
59 / North / 830 / 20161461									
59th Ave & Buckeye Rd.....	5:24								
59th Ave & Van Buren St.....	5:26								
59th Ave & Thomas Rd.....	5:34								
59th Ave & Camelback Rd.....	5:43								
59th Ave & Glendale Ave.....	5:52								
59th Ave & Olive Ave.....	6:02								
59th Ave & Thunderbird Rd.....	6:13								
59th Ave & Bell Rd.....	6:22								
59th Ave & Beardsley Rd.....	6:31								

Phoenix West

Effective: 01/22/2024

2021
Weekday

Duty Type	Block	Report Time	Start Place	Start Time	End Time	End Place	Clear Time	Paid Time	Seat Time
ST	2021	3:23	WEST 94TH	3:28	11:02	94TH	11:18	7h55	6h18

Sign-on	3:23	Deadhead	Deadhead
		93rd Ave & Thomas Rd.....	6:28 93rd Ave & Thomas Rd..... 10:34
Block	2021	94th Av Layover.....	6:29 94th Av Layover..... 10:35
Pull Out		Deadhead	Travel by CAR
West Transit Facility.....	3:43	94th Av Layover.....	6:47
35th Ave & Thomas Rd.....	3:58	93rd Ave & Thomas Rd.....	6:48
-----		-----	
29 / East / 257 / 20161974		29 / East / 31 / 20161528	
35th Ave & Thomas Rd.....	3:58	93rd Ave & Thomas Rd.....	6:48
19th Ave & Thomas Rd.....	4:07	Thomas Rd at Desert Sky TC....	6:54
Central Ave & Thomas Rd.....	4:14	67th Ave & Thomas Rd.....	7:03
24th St & Thomas Rd.....	4:23	51st Ave & Thomas Rd.....	7:14
44th St & Thomas Rd.....	4:32	35th Ave & Thomas Rd.....	7:23
56th St & Thomas Rd.....	4:37	19th Ave & Thomas Rd.....	7:38
-----		Central Ave & Thomas Rd.....	7:51
Deadhead		24th St & Thomas Rd.....	8:01
56th St & Thomas Rd.....	4:37	44th St & Thomas Rd.....	8:15
Pima Park.....	4:52	56th St & Thomas Rd.....	8:20
-----		Scottsdale Rd & Thomas Rd....	8:27
29 / West / 199 / 20161515		Pima Park.....	8:34
Pima Park.....	5:03	-----	
Scottsdale Rd & Thomas Rd.....	5:07	29 / West / 199 / 20161468	
56th St & Thomas Rd.....	5:12	Pima Park.....	8:55
44th St & Thomas Rd.....	5:19	Scottsdale Rd & Thomas Rd.....	9:00
24th St & Thomas Rd.....	5:27	56th St & Thomas Rd.....	9:06
Central Ave & Thomas Rd.....	5:38	44th St & Thomas Rd.....	9:14
19th Ave & Thomas Rd.....	5:46	24th St & Thomas Rd.....	9:24
35th Ave & Thomas Rd.....	5:56	Central Ave & Thomas Rd.....	9:38
51st Ave & Thomas Rd.....	6:04	19th Ave & Thomas Rd.....	9:48
67th Ave & Thomas Rd.....	6:11	35th Ave & Thomas Rd.....	10:00
Desert Sky TC.....	6:19	51st Ave & Thomas Rd.....	10:09
Desert Sky TC.....	6:22	67th Ave & Thomas Rd.....	10:17
93rd Ave & Thomas Rd.....	6:28	Desert Sky TC.....	10:25
-----		Desert Sky TC.....	10:28
		93rd Ave & Thomas Rd.....	10:34
-----		-----	

Phoenix West

Effective: 01/22/2024

2022

Weekday

Duty Type	Block	Report Time	Start Place	Start Time	End Time	End Place	Clear Time	Paid Time	Seat Time
ST	2022	3:23	WEST	3:28	9:19	83VB			
	CAR		83VB	9:19	9:26	WEST	9:26	6h03	4h28

Sign-on	3:23	Deadhead			Deadhead				
		Arrowhead Mall Layover.....		5:52	Arrowhead Mall Layover.....			8:20	
Block	2022	Arrowhead Mall North.....		5:54	Arrowhead Mall North.....			8:22	
Pull Out		83 / South / 155 / 20161726			83 / South / 155 / 20161739				
West Transit Facility.....	3:43	Arrowhead Mall North.....		5:54	Arrowhead Mall North.....			8:22	
83rd Ave & Camelback Rd.....	3:58	83rd Ave & Thunderbird Rd.....		6:04	83rd Ave & Thunderbird Rd.....			8:33	
		83rd Ave & Peoria Ave.....		6:10	83rd Ave & Peoria Ave.....			8:39	
		83rd Ave & Glendale Ave.....		6:21	83rd Ave & Glendale Ave.....			8:51	
83 / South / 155 / 20162005		83rd Ave & Camelback Rd.....		6:27	83rd Ave & Camelback Rd.....			8:57	
83rd Ave & Camelback Rd.....	3:58	Desert Sky TC.....		6:36	Desert Sky TC.....			9:06	
Desert Sky TC.....	4:06	83rd Ave & Van Buren St.....		6:45	83rd Ave & Van Buren St.....			9:15	
83rd Ave & Van Buren St.....	4:14	Deadhead			Deadhead				
		83rd Ave & Van Buren St.....		6:45	83rd Ave & Van Buren St.....			9:15	
		83rd Ave & Van Buren St.....		6:49	83rd Ave & Van Buren St.....			9:19	
83 / North / 183 / 20162002		83 / North / 183 / 20161005			Travel by			CAR	
83rd Ave & Van Buren St.....	4:41	83rd Ave & Van Buren St.....		7:10	Car Pull				
Desert Sky TC.....	4:51	Desert Sky TC.....		7:21	83rd Ave & Van Buren St.....			9:19	
83rd Ave & Camelback Rd.....	5:00	83rd Ave & Camelback Rd.....		7:30	West Transit Facility.....			9:26	
83rd Ave & Glendale Ave.....	5:06	83rd Ave & Glendale Ave.....		7:36					
83rd Ave & Peoria Ave.....	5:17	83rd Ave & Peoria Ave.....		7:47					
83rd Ave & Thunderbird Rd.....	5:23	83rd Ave & Thunderbird Rd.....		7:53	83 / North / 183 / 20161015				
Arrowhead Mall North.....	5:33	Arrowhead Mall North.....		8:04	83rd Ave & Van Buren St.....			9:40	
		Deadhead			Desert Sky TC.....			9:51	
Deadhead		Arrowhead Mall North.....		8:04	83rd Ave & Camelback Rd.....			10:01	
Arrowhead Mall North.....	5:33	Arrowhead Mall Layover.....		8:06	83rd Ave & Glendale Ave.....			10:07	
Arrowhead Mall Layover.....	5:35				83rd Ave & Peoria Ave.....			10:19	
					83rd Ave & Thunderbird Rd.....			10:25	
					Arrowhead Mall North.....			10:36	

Phoenix West

Effective: 01/22/2024

2023

Weekday

Duty Type	Block	Report Time	Start Place	Start Time	End Time	End Place	Clear Time	Paid Time	Seat Time
ST	2020	3:23	WEST	3:28	11:52	43LB			
	CAR		43LB	11:52	12:13	WEST	12:13	8h50	6h53

Sign-on	3:23	43 / North / 182 / 20161061		Deadhead
		43rd Ave & Lower Buckeye Rd	6:14	43rd Ave & Union Hills Dr..... 10:15
Block	2020	43rd Ave & Van Buren St.....	6:21	43rd Ave & Union Hills Dr..... 10:22
		43rd Ave & Thomas Rd.....	6:30	
Pull Out		43rd Ave & Camelback Rd.....	6:40	43 / South / 207 / 20161161
West Transit Facility.....	3:43	43rd Ave & Glendale Ave.....	6:49	43rd Ave & Union Hills Dr..... 10:51
43rd Ave & Van Buren St.....	3:55	43rd Ave & Dunlap Ave.....	6:57	43rd Ave & Thunderbird Rd..... 10:58
		43rd Ave & Thunderbird Rd.....	7:06	43rd Ave & Dunlap Ave..... 11:08
		43rd Ave & Union Hills Dr.....	7:15	43rd Ave & Glendale Ave..... 11:16
43 / North / 182 / 20161987				43rd Ave & Camelback Rd..... 11:25
43rd Ave & Van Buren St.....	3:55			43rd Ave & Thomas Rd..... 11:34
43rd Ave & Thomas Rd.....	4:02	Deadhead		43rd Ave & Van Buren St..... 11:45
43rd Ave & Camelback Rd.....	4:10	43rd Ave & Union Hills Dr.....	7:15	43rd Ave & Lower Buckeye Rd 11:52
43rd Ave & Glendale Ave.....	4:17	43rd Ave & Union Hills Dr.....	7:22	
43rd Ave & Dunlap Ave.....	4:24			
43rd Ave & Thunderbird Rd.....	4:32	43 / South / 207 / 20161150		Travel by
43rd Ave & Union Hills Dr.....	4:39	43rd Ave & Union Hills Dr.....	7:50	CAR
		43rd Ave & Thunderbird Rd.....	7:58	Car Pull
Deadhead		43rd Ave & Dunlap Ave.....	8:08	43rd Ave & Lower Buckeye Rd 11:52
43rd Ave & Union Hills Dr.....	4:39	43rd Ave & Glendale Ave.....	8:16	West Transit Facility..... 12:13
43rd Ave & Union Hills Dr.....	4:46	43rd Ave & Camelback Rd.....	8:25	
		43rd Ave & Thomas Rd.....	8:35	43 / North / 182 / 20161079
		43rd Ave & Van Buren St.....	8:46	43rd Ave & Lower Buckeye Rd 12:12
43 / South / 207 / 20161137		43rd Ave & Lower Buckeye Rd	8:53	43rd Ave & Van Buren St..... 12:19
43rd Ave & Union Hills Dr.....	4:52			43rd Ave & Thomas Rd..... 12:29
43rd Ave & Thunderbird Rd.....	4:59	Deadhead		43rd Ave & Camelback Rd..... 12:40
43rd Ave & Dunlap Ave.....	5:09	43rd Ave & Lower Buckeye Rd	8:53	43rd Ave & Glendale Ave..... 12:49
43rd Ave & Glendale Ave.....	5:17	43rd Ave & Lower Buckeye Rd	8:59	43rd Ave & Dunlap Ave..... 12:58
43rd Ave & Camelback Rd.....	5:25			43rd Ave & Thunderbird Rd..... 13:07
43rd Ave & Thomas Rd.....	5:33			43rd Ave & Union Hills Dr..... 13:16
43rd Ave & Van Buren St.....	5:42	43 / North / 182 / 20161072		
43rd Ave & Lower Buckeye Rd	5:49	43rd Ave & Lower Buckeye Rd	9:14	
		43rd Ave & Van Buren St.....	9:21	
Deadhead		43rd Ave & Thomas Rd.....	9:30	
43rd Ave & Lower Buckeye Rd	5:49	43rd Ave & Camelback Rd.....	9:40	
43rd Ave & Lower Buckeye Rd	5:55	43rd Ave & Glendale Ave.....	9:49	
		43rd Ave & Dunlap Ave.....	9:57	
		43rd Ave & Thunderbird Rd.....	10:06	
		43rd Ave & Union Hills Dr.....	10:15	

Phoenix West

Effective: 01/22/2024

2024
Weekday

Duty Type	Block	Report Time	Start Place	Start Time	End Time	End Place	Clear Time	Paid Time	Seat Time
ST	2019	3:23	WEST	3:28	10:20	51HD	10:31	7h08	5h33
	CAR		51HD	10:20	10:31	WEST			

Sign-on	3:23	59 / South / 220 / 20161431	59 / South / 220 / 20161436
		59th Ave & Beardsley Rd.....	59th Ave & Beardsley Rd.....
		5:49	8:49
Block	2019	59th Ave & Bell Rd.....	59th Ave & Bell Rd.....
		59th Ave & Thunderbird Rd.....	59th Ave & Thunderbird Rd.....
		59th Ave & Olive Ave.....	59th Ave & Olive Ave.....
Pull Out		59th Ave & Glendale Ave.....	59th Ave & Glendale Ave.....
West Transit Facility.....	3:43	59th Ave & Camelback Rd.....	59th Ave & Camelback Rd.....
59th Ave & Camelback Rd.....	4:06	59th Ave & Thomas Rd.....	59th Ave & Thomas Rd.....
		59th Ave & Van Buren St.....	59th Ave & Van Buren St.....
		59th Ave & Buckeye Rd.....	59th Ave & Buckeye Rd.....
			10:00
		59 / South / 220 / 20161995	
		59th Ave & Thomas Rd.....	
		59th Ave & Van Buren St.....	
		59th Ave & Buckeye Rd.....	59th Ave & Buckeye Rd.....
			10:00
		Deadhead	Deadhead
		59th Ave & Buckeye Rd.....	59th Ave & Buckeye Rd.....
			10:00
		51st Ave & Hadley St.....	51st Ave & Hadley St.....
			10:04
Deadhead		Deadhead	Travel by
59th Ave & Buckeye Rd.....	4:27		CAR
51st Ave & Hadley St.....	4:31	51st Ave & Hadley St.....	
		59th Ave & Buckeye Rd.....	59th Ave & Buckeye Rd.....
			7:18
			7:22
Deadhead		Deadhead	Car Pull
51st Ave & Hadley St.....	4:50		51st Ave & Hadley St.....
59th Ave & Buckeye Rd.....	4:54	59 / North / 830 / 20161473	West Transit Facility.....
		59th Ave & Buckeye Rd.....	10:20
			10:31
		59th Ave & Van Buren St.....	
		59th Ave & Thomas Rd.....	
		59th Ave & Camelback Rd.....	
		59th Ave & Glendale Ave.....	
		59th Ave & Olive Ave.....	
		59th Ave & Thunderbird Rd.....	
		59th Ave & Bell Rd.....	
		59th Ave & Beardsley Rd.....	59th Ave & Beardsley Rd.....
			10:24
			10:26
			10:34
			10:43
			10:54
			11:04
			11:16
			11:25
			11:34
Deadhead			
59th Ave & Camelback Rd.....	5:13		
59th Ave & Beardsley Rd.....	5:43		

Phoenix West

Effective: 01/22/2024

2025

Weekday

Duty Type	Block	Report Time	Start Place	Start Time	End Time	End Place	Clear Time	Paid Time	Seat Time
ST	2023	3:25	WEST	3:30	10:04	83VB			
	CAR		83VB	10:04	10:11	WEST	10:11	6h46	5h30

Sign-on	3:25	3 / East / 86 / 20162044					Travel by		CAR
		4th St & La Canada Blvd.....		6:23					
Block	2023	Avondale Civic Center.....		6:37			Car Pull		
		99th Ave & Van Buren St.....		6:43			83rd Ave & Van Buren St.....		10:04
Pull Out		83rd Ave & Van Buren St.....		6:51			West Transit Facility.....		10:11
West Transit Facility.....	3:45	67th Ave & Van Buren St.....		6:56					
Galvin Pkwy & Van Buren St...	4:20	51st Ave & Van Buren St.....		7:09			99th Ave & Van Buren St.....		10:12
		35th Ave & Van Buren St.....		7:20			Avondale Civic Center.....		10:20
		19th Ave & Van Buren St.....		7:31			4th St & La Canada Blvd.....		10:31
3 / West / 546 / 20162101		Central Ave & Van Buren St.....		7:40					
Galvin Pkwy & Van Buren St...	4:20	24th St & Van Buren St.....		7:54			3 / East / 86 / 20162062		
44th St & Van Buren St.....	4:26	44th St & Van Buren St.....		8:03			4th St & La Canada Blvd.....		10:53
24th St & Van Buren St.....	4:36	Galvin Pkwy & Van Buren St.....		8:10			Avondale Civic Center.....		11:07
2nd Ave & Van Buren St.....	4:48	Phoenix Zoo.....		8:14			99th Ave & Van Buren St.....		11:13
19th Ave & Van Buren St.....	4:56						83rd Ave & Van Buren St.....		11:21
35th Ave & Van Buren St.....	5:04	3 / West / 546 / 20162116					67th Ave & Van Buren St.....		11:26
51st Ave & Van Buren St.....	5:12	Phoenix Zoo.....		8:39			51st Ave & Van Buren St.....		11:39
67th Ave & Van Buren St.....	5:19	Galvin Pkwy & Van Buren St.....		8:42			35th Ave & Van Buren St.....		11:50
83rd Ave & Van Buren St.....	5:27	44th St & Van Buren St.....		8:50			19th Ave & Van Buren St.....		12:01
99th Ave & Van Buren St.....	5:34	24th St & Van Buren St.....		9:03			Central Ave & Van Buren St....		12:10
Avondale Civic Center.....	5:41	2nd Ave & Van Buren St.....		9:18			24th St & Van Buren St.....		12:24
4th St & La Canada Blvd.....	5:52	19th Ave & Van Buren St.....		9:27			44th St & Van Buren St.....		12:33
		35th Ave & Van Buren St.....		9:37			Galvin Pkwy & Van Buren St...		12:40
		51st Ave & Van Buren St.....		9:47			Phoenix Zoo.....		12:44
		67th Ave & Van Buren St.....		9:56					
		83rd Ave & Van Buren St.....		10:04					

Phoenix West

Effective: 01/22/2024

2026

Weekday

Duty Type	Block	Report Time	Start Place	Start Time	End Time	End Place	Clear Time	Paid Time	Seat Time
ST	2024	3:27	WEST 83IN	3:32	12:48	83IN	13:01	9h34	7h50

Sign-on	3:27	Deadhead	Deadhead
Block	2024	Pebble Creek Pkwy & McDow	83rd Ave & McDowell Rd..... 12:41
		Pebble Creek Pkwy & McDow	83rd Ave & Indian School Rd.. 12:48
Pull Out		17 / East / 132 / 20161012	Travel by CAR
West Transit Facility.....	3:47	Pebble Creek Pkwy & McDow	8:23
99th Ave & McDowell Rd.....	3:57	Litchfield Rd & McDowell Rd.....	8:30
		99th Ave & McDowell Rd.....	8:45
		83rd Ave & McDowell Rd.....	8:53
17 / East / 255 / 20161973		67th Ave & McDowell Rd.....	9:00
99th Ave & McDowell Rd.....	3:57	43rd Ave & McDowell Rd.....	9:14
83rd Ave & McDowell Rd.....	4:05	19th Ave & McDowell Rd.....	9:30
67th Ave & McDowell Rd.....	4:12	Central Ave & McDowell Rd.....	9:40
43rd Ave & McDowell Rd.....	4:23	24th St & McDowell Rd.....	9:55
19th Ave & McDowell Rd.....	4:37	44th St & McDowell Rd.....	10:07
Central Ave & McDowell Rd.....	4:45	52nd St & McDowell Rd.....	10:11
24th St & McDowell Rd.....	4:57	Scottsdale Rd & McDowell Rd....	10:19
44th St & McDowell Rd.....	5:08	Pima Rd & McDowell Rd.....	10:27
52nd St & McDowell Rd.....	5:12	Deadhead	41 / East / 172 / 20161855
		52nd St & McDowell Rd.....	5:12
		Pima Rd & McDowell Rd.....	5:27
		Pima Rd & McDowell Rd.....	5:27
		Deadhead	83rd Ave & Indian School Rd.. 13:13
		Pima Rd & McDowell Rd.....	5:50
		Scottsdale Rd & McDowell Rd....	11:17
		52nd St & McDowell Rd.....	11:25
		44th St & McDowell Rd.....	11:29
		24th St & McDowell Rd.....	11:44
		Central Ave & McDowell Rd.....	11:57
		19th Ave & McDowell Rd.....	12:05
		43rd Ave & McDowell Rd.....	12:22
		67th Ave & McDowell Rd.....	12:34
		83rd Ave & McDowell Rd.....	12:41
		99th Ave & McDowell Rd.....	
		Litchfield Rd & McDowell Rd.....	
		Pebble Creek Pkwy & McDow	

Phoenix West

Effective: 01/22/2024

2027

Weekday

Duty Type	Block	Report Time	Start Place	Start Time	End Time	End Place	Clear Time	Paid Time	Seat Time
ST	2025	3:28	WEST	3:33	13:32	75BU			
	CAR		75BU	13:32	13:42	WEST	13:42	10h14	7h52

Sign-on	3:28	Deadhead			Deadhead				
		75th Ave & Buckeye Rd.....		7:29	75th Ave & Buckeye Rd.....			11:28	
Block	2025	75th Ave & Buckeye Rd.....		7:33	75th Ave & Buckeye Rd.....			11:32	
Pull Out		13 / East / 36 / 20161658			13 / East / 36 / 20161666				
West Transit Facility.....	3:48	75th Ave & Buckeye Rd.....		7:55	75th Ave & Buckeye Rd.....			11:55	
75th Ave & Buckeye Rd.....	3:58	59th Ave & Buckeye Rd.....		8:00	59th Ave & Buckeye Rd.....			11:59	
		43rd Ave & Buckeye Rd.....		8:06	43rd Ave & Buckeye Rd.....			12:05	
13 / East / 36 / 20161968		19th Ave & Buckeye Rd.....		8:16	19th Ave & Buckeye Rd.....			12:15	
75th Ave & Buckeye Rd.....	3:58	Central Ave & Buckeye Rd.....		8:23	Central Ave & Buckeye Rd.....			12:22	
59th Ave & Buckeye Rd.....	4:03	16th St & Buckeye Rd.....		8:29	16th St & Buckeye Rd.....			12:28	
43rd Ave & Buckeye Rd.....	4:08	Sky Harbor West.....		8:37	Sky Harbor West.....			12:37	
19th Ave & Buckeye Rd.....	4:18								
Central Ave & Buckeye Rd.....	4:24	13 / West / 120 / 20161361			13 / West / 120 / 20161339				
16th St & Buckeye Rd.....	4:30	Sky Harbor West.....		8:43	Sky Harbor West.....			12:43	
Sky Harbor West.....	4:37	16th St & Buckeye Rd.....		8:51	16th St & Buckeye Rd.....			12:51	
		Central Ave & Buckeye Rd.....		8:57	Central Ave & Buckeye Rd.....			12:58	
13 / West / 120 / 20161970		19th Ave & Buckeye Rd.....		9:04	19th Ave & Buckeye Rd.....			13:05	
Sky Harbor West.....	4:43	43rd Ave & Buckeye Rd.....		9:15	43rd Ave & Buckeye Rd.....			13:18	
16th St & Buckeye Rd.....	4:51	59th Ave & Buckeye Rd.....		9:21	59th Ave & Buckeye Rd.....			13:25	
Central Ave & Buckeye Rd.....	4:57	75th Ave & Buckeye Rd.....		9:28	75th Ave & Buckeye Rd.....			13:32	
19th Ave & Buckeye Rd.....	5:04								
43rd Ave & Buckeye Rd.....	5:15	Deadhead			Travel by			CAR	
59th Ave & Buckeye Rd.....	5:20	75th Ave & Buckeye Rd.....		9:28	Car Pull				
75th Ave & Buckeye Rd.....	5:27	75th Ave & Buckeye Rd.....		9:32	75th Ave & Buckeye Rd.....			13:32	
		75th Ave & Buckeye Rd.....			West Transit Facility.....			13:42	
Deadhead		13 / East / 36 / 20161662							
75th Ave & Buckeye Rd.....	5:27	75th Ave & Buckeye Rd.....		9:56	13 / East / 36 / 20161670				
75th Ave & Buckeye Rd.....	5:31	59th Ave & Buckeye Rd.....		10:00	<i>75th Ave & Buckeye Rd.....</i>			<i>13:52</i>	
		43rd Ave & Buckeye Rd.....		10:06	<i>59th Ave & Buckeye Rd.....</i>			<i>13:57</i>	
13 / East / 36 / 20161656		19th Ave & Buckeye Rd.....		10:16	<i>43rd Ave & Buckeye Rd.....</i>			<i>14:03</i>	
75th Ave & Buckeye Rd.....	5:54	Central Ave & Buckeye Rd.....		10:23	<i>19th Ave & Buckeye Rd.....</i>			<i>14:14</i>	
59th Ave & Buckeye Rd.....	5:59	16th St & Buckeye Rd.....		10:29	Sky Harbor West.....			14:21	
43rd Ave & Buckeye Rd.....	6:05	Sky Harbor West.....		10:37				14:28	
19th Ave & Buckeye Rd.....	6:15							14:37	
Central Ave & Buckeye Rd.....	6:22	13 / West / 120 / 20161350							
16th St & Buckeye Rd.....	6:28	Sky Harbor West.....		10:43					
Sky Harbor West.....	6:37	16th St & Buckeye Rd.....		10:51					
		Central Ave & Buckeye Rd.....		10:57					
13 / West / 120 / 20161365		19th Ave & Buckeye Rd.....		11:04					
Sky Harbor West.....	6:43	43rd Ave & Buckeye Rd.....		11:15					
16th St & Buckeye Rd.....	6:51	59th Ave & Buckeye Rd.....		11:21					
Central Ave & Buckeye Rd.....	6:57	75th Ave & Buckeye Rd.....		11:28					
19th Ave & Buckeye Rd.....	7:04								
43rd Ave & Buckeye Rd.....	7:15								
59th Ave & Buckeye Rd.....	7:22								
75th Ave & Buckeye Rd.....	7:29								

Phoenix West

Effective: 01/22/2024

2028
Weekday

Duty Type	Block	Report Time	Start Place	Start Time	End Time	End Place	Clear Time	Paid Time	Seat Time
ST	2026	3:29	WEST	3:34	11:28	43LB			
	CAR		43LB	11:28	11:49	WEST	11:49	8h20	6h27

Sign-on	3:29	Deadhead			43 / South / 207 / 20161160
		43rd Ave & Union Hills Dr.....	6:45	43rd Ave & Union Hills Dr.....	10:21
Block	2026	43rd Ave & Union Hills Dr.....	6:52	43rd Ave & Thunderbird Rd.....	10:28
				43rd Ave & Dunlap Ave.....	10:38
Pull Out		43 / South / 207 / 20161145		43rd Ave & Glendale Ave.....	10:46
West Transit Facility.....	3:49	43rd Ave & Union Hills Dr.....	7:20	43rd Ave & Camelback Rd.....	10:55
43rd Ave & Union Hills Dr.....	4:24	43rd Ave & Thunderbird Rd.....	7:28	43rd Ave & Thomas Rd.....	11:04
		43rd Ave & Dunlap Ave.....	7:38	43rd Ave & Van Buren St.....	11:15
43 / South / 207 / 20161136		43rd Ave & Glendale Ave.....	7:46	43rd Ave & Lower Buckeye Rd	11:22
43rd Ave & Union Hills Dr.....	4:24	43rd Ave & Camelback Rd.....	7:55		
43rd Ave & Thunderbird Rd.....	4:30	43rd Ave & Thomas Rd.....	8:05	Deadhead	
43rd Ave & Dunlap Ave.....	4:40	43rd Ave & Van Buren St.....	8:16	43rd Ave & Lower Buckeye Rd	11:22
43rd Ave & Glendale Ave.....	4:47	43rd Ave & Lower Buckeye Rd	8:23	43rd Ave & Lower Buckeye Rd	11:28
43rd Ave & Camelback Rd.....	4:55				
43rd Ave & Thomas Rd.....	5:03	Deadhead		Travel by	CAR
43rd Ave & Van Buren St.....	5:12	43rd Ave & Lower Buckeye Rd	8:23		
43rd Ave & Lower Buckeye Rd	5:19	43rd Ave & Lower Buckeye Rd	8:29	Car Pull	
				43rd Ave & Lower Buckeye Rd	11:28
				West Transit Facility.....	11:49
Deadhead		43 / North / 182 / 20161069			
43rd Ave & Lower Buckeye Rd	5:19	43rd Ave & Lower Buckeye Rd	8:44		
43rd Ave & Lower Buckeye Rd	5:25	43rd Ave & Van Buren St.....	8:51	43 / North / 182 / 20161078	
		43rd Ave & Thomas Rd.....	9:00	43rd Ave & Lower Buckeye Rd	11:43
43 / North / 182 / 20161059		43rd Ave & Camelback Rd.....	9:10	43rd Ave & Van Buren St.....	11:50
43rd Ave & Lower Buckeye Rd	5:46	43rd Ave & Glendale Ave.....	9:19	43rd Ave & Thomas Rd.....	12:00
43rd Ave & Van Buren St.....	5:53	43rd Ave & Dunlap Ave.....	9:27	43rd Ave & Camelback Rd.....	12:10
43rd Ave & Thomas Rd.....	6:00	43rd Ave & Thunderbird Rd.....	9:36	43rd Ave & Glendale Ave.....	12:19
43rd Ave & Camelback Rd.....	6:10	43rd Ave & Union Hills Dr.....	9:45	43rd Ave & Dunlap Ave.....	12:27
43rd Ave & Glendale Ave.....	6:19			43rd Ave & Thunderbird Rd.....	12:36
43rd Ave & Dunlap Ave.....	6:27	Deadhead		43rd Ave & Union Hills Dr.....	12:45
43rd Ave & Thunderbird Rd.....	6:36	43rd Ave & Union Hills Dr.....	9:45		
43rd Ave & Union Hills Dr.....	6:45	43rd Ave & Union Hills Dr.....	9:52		

Phoenix West

Effective: 01/22/2024

2029

Weekday

Duty Type	Block	Report Time	Start Place	Start Time	End Time	End Place	Clear Time	Paid Time	Seat Time
ST	2027	3:29	WEST	3:34	13:48	67VB			
	CAR		67VB	13:48	14:00	WEST	14:00	10h31	7h56

Sign-on	3:29	Deadhead				75 / South / 149 / 20161705			
		75th Ave & Lower Buckeye Rd		6:32		75th Ave & Camelback Rd.....		10:37	
Block	2027	Sierra Linda HS-North.....		6:37		Desert Sky TC.....		10:47	
						75th Ave & Van Buren St.....		10:58	
Pull Out		67 / North / 108 / 20161241				75th Ave & Lower Buckeye Rd		11:02	
West Transit Facility.....	3:49	Sierra Linda HS-North.....		6:55					
Sierra Linda HS-North.....	4:01	67th Ave & Van Buren St.....		7:06		Deadhead			
		67th Ave & Thomas Rd.....		7:16		75th Ave & Lower Buckeye Rd		11:02	
67 / North / 250 / 20161996		67th Ave & Camelback Rd.....		7:24		Sierra Linda HS-North.....		11:07	
Sierra Linda HS-North.....	4:01	67th Ave & Glendale Ave.....		7:35					
67th Ave & Van Buren St.....	4:08	67th Ave & Olive Ave.....		7:44		67 / North / 108 / 20161207			
67th Ave & Thomas Rd.....	4:17	67th Ave & Thunderbird Rd.....		7:52		Sierra Linda HS-North.....		11:26	
67th Ave & Camelback Rd.....	4:24	67th Ave & Union Hills Dr.....		8:02		67th Ave & Van Buren St.....		11:36	
						67th Ave & Thomas Rd.....		11:45	
Deadhead		Deadhead				67th Ave & Camelback Rd.....		11:54	
67th Ave & Camelback Rd.....	4:24	67th Ave & Union Hills Dr.....		8:02		67th Ave & Glendale Ave.....		12:05	
75th Ave & Camelback Rd.....	4:27	67th Ave & Union Hills Dr.....		8:07		67th Ave & Olive Ave.....		12:13	
						67th Ave & Thunderbird Rd.....		12:23	
75 / South / 149 / 20161999		67 / South / 254 / 20161604				67th Ave & Union Hills Dr.....		12:33	
75th Ave & Camelback Rd.....	4:38	67th Ave & Union Hills Dr.....		8:21					
Desert Sky TC.....	4:47	67th Ave & Thunderbird Rd.....		8:29		Deadhead			
75th Ave & Van Buren St.....	4:56	67th Ave & Olive Ave.....		8:38		67th Ave & Union Hills Dr.....		12:33	
75th Ave & Lower Buckeye Rd	5:00	67th Ave & Glendale Ave.....		8:47		67th Ave & Union Hills Dr.....		12:38	
		67th Ave & Camelback Rd.....		8:56					
Deadhead		67th Ave & Thomas Rd.....		9:05		67 / South / 254 / 20161619			
75th Ave & Lower Buckeye Rd	5:00	67th Ave & Van Buren St.....		9:15		67th Ave & Union Hills Dr.....		12:51	
Sierra Linda HS-North.....	5:05	Sierra Linda HS-South.....		9:23		67th Ave & Thunderbird Rd.....		12:59	
						67th Ave & Olive Ave.....		13:09	
67 / North / 250 / 20161248		Deadhead				67th Ave & Glendale Ave.....		13:17	
Sierra Linda HS-North.....	5:28	Sierra Linda HS-South.....		9:23		67th Ave & Camelback Rd.....		13:26	
67th Ave & Van Buren St.....	5:38	75th Ave & Lower Buckeye Rd		9:28		67th Ave & Thomas Rd.....		13:35	
67th Ave & Thomas Rd.....	5:47					67th Ave & Van Buren St.....		13:48	
67th Ave & Camelback Rd.....	5:54	75 / North / 147 / 20161752							
		75th Ave & Lower Buckeye Rd		9:47		Travel by		CAR	
Deadhead		75th Ave & Van Buren St.....		9:52					
67th Ave & Camelback Rd.....	5:54	Desert Sky TC.....		10:07		Car Pull			
75th Ave & Camelback Rd.....	5:57	75th Ave & Camelback Rd.....		10:16		67th Ave & Van Buren St.....		13:48	
						West Transit Facility.....		14:00	
75 / South / 149 / 20161696		Deadhead							
75th Ave & Camelback Rd.....	6:06	75th Ave & Camelback Rd.....		10:16		<i>Sierra Linda HS-South.....</i>		<i>13:57</i>	
Desert Sky TC.....	6:17	75th Ave & Camelback Rd.....		10:28					
75th Ave & Van Buren St.....	6:28					75 / North / 147 / 20161765			
75th Ave & Lower Buckeye Rd	6:32					<i>75th Ave & Lower Buckeye Rd</i>		<i>14:13</i>	
						<i>75th Ave & Van Buren St.....</i>		<i>14:19</i>	
						<i>Desert Sky TC.....</i>		<i>14:37</i>	
						<i>75th Ave & Camelback Rd.....</i>		<i>14:50</i>	

Phoenix West

Effective: 01/22/2024

2030

Weekday

Duty Type	Block	Report Time	Start Place	Start Time	End Time	End Place	Clear Time	Paid Time	Seat Time
ST	2028	3:31	WEST	3:36	10:15	WEST	10:15	6h44	5h43

Sign-on	3:31	Deadhead			Deadhead				
		107th Ave & Indian School Rd.		5:49	Granite Reef Rd & Indian Sch				8:10
Block	2028	107th Ave & Indian School Rd.		5:55	Pima Rd & McDowell Rd.....				8:17

Pull Out		41 / East / 172 / 20161959			17 / West / 125 / 20161616				
West Transit Facility.....	3:51	107th Ave & Indian School Rd.		6:23	Pima Rd & McDowell Rd.....				8:30
56th St & Indian School Rd.....	4:26	83rd Ave & Indian School Rd.....		6:32	Scottsdale Rd & McDowell Rd....				8:37
		59th Ave & Indian School Rd.....		6:46	52nd St & McDowell Rd.....				8:45
		43rd Ave & Indian School Rd.....		6:55	44th St & McDowell Rd.....				8:49
41 / West / 724 / 20161815		19th Ave & Indian School Rd.....		7:12	24th St & McDowell Rd.....				9:04
56th St & Indian School Rd.....	4:26	Central Ave & Indian School Rd.		7:20	Central Ave & McDowell Rd.....				9:17
44th St & Indian School Rd.....	4:29	Central Ave & Indian School Rd.		7:24	19th Ave & McDowell Rd.....				9:25
32nd St & Indian School Rd.....	4:33	24th St & Indian School Rd.....		7:38	43rd Ave & McDowell Rd.....				9:42
24th St & Indian School Rd.....	4:38	32nd St & Indian School Rd.....		7:43	67th Ave & McDowell Rd.....				9:54
Central Ave & Indian School Rd.	4:50	44th St & Indian School Rd.....		7:50	83rd Ave & McDowell Rd.....				10:01
Central Ave & Indian School Rd.	4:54	56th St & Indian School Rd.....		7:56					
19th Ave & Indian School Rd.....	5:01	Scottsdale Rd & Indian School		8:02	Pull In				
43rd Ave & Indian School Rd.....	5:16	Granite Reef Rd & Indian Sch		8:10	83rd Ave & McDowell Rd.....				10:01
59th Ave & Indian School Rd.....	5:26				West Transit Facility.....				10:15
83rd Ave & Indian School Rd.....	5:39								
107th Ave & Indian School Rd.	5:49								

Phoenix West

Effective: 01/22/2024

2031
Weekday

Duty Type	Block	Report Time	Start Place	Start Time	End Time	End Place	Clear Time	Paid Time	Seat Time
ST	2029	3:32	WEST	3:37	10:40	DSTC	10:54	7h22	6h18
	CAR		DSTC	10:40	10:54	WEST			

Sign-on	3:32	Deadhead	Travel by	CAR
		Desert Sky TC.....		7:08
Block	2029	Thomas Rd at Desert Sky TC..	Car Pull	
			Desert Sky TC.....	10:40
Pull Out		29 / East / 31 / 20161245	West Transit Facility.....	10:54
West Transit Facility.....	3:52	Thomas Rd at Desert Sky TC..		
93rd Ave & Thomas Rd.....	4:04	67th Ave & Thomas Rd.....	29 / East / 31 / 20161193	
		51st Ave & Thomas Rd.....	<i>Thomas Rd at Desert Sky TC..</i>	<i>10:53</i>
29 / East / 257 / 20161977		35th Ave & Thomas Rd.....	<i>67th Ave & Thomas Rd.....</i>	<i>11:00</i>
93rd Ave & Thomas Rd.....	4:04	19th Ave & Thomas Rd.....	<i>51st Ave & Thomas Rd.....</i>	<i>11:07</i>
Thomas Rd at Desert Sky TC....	4:09	Central Ave & Thomas Rd.....	<i>35th Ave & Thomas Rd.....</i>	<i>11:15</i>
67th Ave & Thomas Rd.....	4:14	24th St & Thomas Rd.....	<i>19th Ave & Thomas Rd.....</i>	<i>11:26</i>
51st Ave & Thomas Rd.....	4:22	44th St & Thomas Rd.....	<i>Central Ave & Thomas Rd.....</i>	<i>11:39</i>
35th Ave & Thomas Rd.....	4:28	56th St & Thomas Rd.....	<i>24th St & Thomas Rd.....</i>	<i>11:51</i>
19th Ave & Thomas Rd.....	4:37	Scottsdale Rd & Thomas Rd....	<i>44th St & Thomas Rd.....</i>	<i>12:07</i>
Central Ave & Thomas Rd.....	4:44	Pima Park.....	<i>56th St & Thomas Rd.....</i>	<i>12:13</i>
24th St & Thomas Rd.....	4:53		<i>Scottsdale Rd & Thomas Rd...</i>	<i>12:19</i>
44th St & Thomas Rd.....	5:02	29 / West / 35 / 20161466	<i>Pima Park.....</i>	<i>12:28</i>
56th St & Thomas Rd.....	5:07	Pima Park.....		
		Scottsdale Rd & Thomas Rd....		
Deadhead		56th St & Thomas Rd.....		
56th St & Thomas Rd.....	5:07	44th St & Thomas Rd.....		
Pima Park.....	5:22	24th St & Thomas Rd.....		
		Central Ave & Thomas Rd.....		
29 / West / 35 / 20161511		19th Ave & Thomas Rd.....		
Pima Park.....	5:35	35th Ave & Thomas Rd.....		
Scottsdale Rd & Thomas Rd....	5:39	51st Ave & Thomas Rd.....		
56th St & Thomas Rd.....	5:44	67th Ave & Thomas Rd.....		
44th St & Thomas Rd.....	5:51	Desert Sky TC.....		10:40
24th St & Thomas Rd.....	5:59			
Central Ave & Thomas Rd.....	6:13			
19th Ave & Thomas Rd.....	6:22			
35th Ave & Thomas Rd.....	6:33			
51st Ave & Thomas Rd.....	6:41			
67th Ave & Thomas Rd.....	6:48			
Desert Sky TC.....	6:56			

Phoenix West

Effective: 01/22/2024

2032

Weekday

Duty Type	Block	Report Time	Start Place	Start Time	End Time	End Place	Clear Time	Paid Time	Seat Time
ST	2030	3:33	WEST	3:38	13:45	75LB			
	CAR		75LB	13:45	14:00	WEST	14:00	10h27	7h46

Sign-on	3:33	Deadhead				67 / North / 108 / 20161212			
		67th Ave & Union Hills Dr.....	7:31			Sierra Linda HS-North.....			10:56
Block	2030	67th Ave & Union Hills Dr.....	7:36			67th Ave & Van Buren St.....			11:06
						67th Ave & Thomas Rd.....			11:15
Pull Out		67 / South / 254 / 20161601				67th Ave & Camelback Rd.....			11:24
West Transit Facility.....	3:53	67th Ave & Union Hills Dr.....	7:51			67th Ave & Glendale Ave.....			11:35
75th Ave & Camelback Rd.....	4:08	67th Ave & Thunderbird Rd.....	7:59			67th Ave & Olive Ave.....			11:43
		67th Ave & Olive Ave.....	8:08			67th Ave & Thunderbird Rd.....			11:53
75 / South / 149 / 20162000		67th Ave & Glendale Ave.....	8:17			67th Ave & Union Hills Dr.....			12:03
75th Ave & Camelback Rd.....	4:08	67th Ave & Camelback Rd.....	8:26						
Desert Sky TC.....	4:17	67th Ave & Thomas Rd.....	8:35			Deadhead			
75th Ave & Van Buren St.....	4:26	67th Ave & Van Buren St.....	8:45			67th Ave & Union Hills Dr.....			12:03
75th Ave & Lower Buckeye Rd	4:30	Sierra Linda HS-South.....	8:54			67th Ave & Union Hills Dr.....			12:08
Deadhead		Deadhead				67 / South / 254 / 20161617			
75th Ave & Lower Buckeye Rd	4:30	Sierra Linda HS-South.....	8:54			67th Ave & Union Hills Dr.....			12:21
Sierra Linda HS-North.....	4:35	75th Ave & Lower Buckeye Rd	8:59			67th Ave & Thunderbird Rd.....			12:29
						67th Ave & Olive Ave.....			12:39
67 / North / 250 / 20161250		75 / North / 147 / 20161756				67th Ave & Glendale Ave.....			12:47
Sierra Linda HS-North.....	5:01	75th Ave & Lower Buckeye Rd	9:17			67th Ave & Camelback Rd.....			12:56
67th Ave & Van Buren St.....	5:08	75th Ave & Van Buren St.....	9:22			67th Ave & Thomas Rd.....			13:05
67th Ave & Thomas Rd.....	5:17	Desert Sky TC.....	9:37			67th Ave & Van Buren St.....			13:18
67th Ave & Camelback Rd.....	5:24	75th Ave & Camelback Rd.....	9:46			Sierra Linda HS-South.....			13:27
Deadhead		Deadhead				Deadhead			
67th Ave & Camelback Rd.....	5:24	75th Ave & Camelback Rd.....	9:46			Sierra Linda HS-South.....			13:27
75th Ave & Camelback Rd.....	5:27	75th Ave & Camelback Rd.....	9:58			75th Ave & Lower Buckeye Rd			13:32
75 / South / 149 / 20161694		75 / South / 149 / 20161704				Travel by			CAR
75th Ave & Camelback Rd.....	5:36	75th Ave & Camelback Rd.....	10:07			Car Pull			
Desert Sky TC.....	5:47	Desert Sky TC.....	10:17			75th Ave & Lower Buckeye Rd			13:45
75th Ave & Van Buren St.....	5:58	75th Ave & Van Buren St.....	10:28			West Transit Facility.....			14:00
75th Ave & Lower Buckeye Rd	6:02	75th Ave & Lower Buckeye Rd	10:32						
Deadhead		Deadhead				75 / North / 147 / 20161766			
75th Ave & Lower Buckeye Rd	6:02	75th Ave & Lower Buckeye Rd	10:32			75th Ave & Lower Buckeye Rd			13:45
Sierra Linda HS-North.....	6:07	Sierra Linda HS-North.....	10:37			75th Ave & Van Buren St.....			13:50
						Desert Sky TC.....			14:07
67 / North / 108 / 20161243						75th Ave & Camelback Rd.....			14:17
Sierra Linda HS-North.....	6:26								
67th Ave & Van Buren St.....	6:37								
67th Ave & Thomas Rd.....	6:46								
67th Ave & Camelback Rd.....	6:54								
67th Ave & Glendale Ave.....	7:04								
67th Ave & Olive Ave.....	7:13								
67th Ave & Thunderbird Rd.....	7:21								
67th Ave & Union Hills Dr.....	7:31								

Phoenix West

Effective: 01/22/2024

2033

Weekday

Duty Type	Block	Report Time	Start Place	Start Time	End Time	End Place	Clear Time	Paid Time	Seat Time
ST	2032	3:34	WEST	3:39	12:45	51VB			
	CAR		51VB	12:45	12:59	WEST	12:59	9h25	7h25

Sign-on	3:34	51 / North / 206 / 20161309				51 / South / 28 / 20161003			
		51st Ave & Baseline Rd.....	6:46			ASU West Campus.....			11:57
Block	2032	51st Ave & Lower Buckeye Rd...	6:55			51st Ave & Olive Ave.....			12:10
		51st Ave & Van Buren St.....	7:03			51st Ave & Glendale Ave.....			12:18
Pull Out		51st Ave & Thomas Rd.....	7:12			51st Ave & Camelback Rd.....			12:25
West Transit Facility.....	3:54	51st Ave & Camelback Rd.....	7:20			51st Ave & Thomas Rd.....			12:34
51st Ave & Baseline Rd.....	4:20	51st Ave & Glendale Ave.....	7:28			51st Ave & Van Buren St.....			12:45
		51st Ave & Olive Ave.....	7:36						
51 / North / 206 / 20161990		ASU West Campus.....	7:47			Travel by			CAR
51st Ave & Baseline Rd.....	4:20					Car Pull			
51st Ave & Lower Buckeye Rd...	4:28	51 / South / 28 / 20160977							
51st Ave & Van Buren St.....	4:34	ASU West Campus.....	7:58			51st Ave & Van Buren St.....			12:45
51st Ave & Thomas Rd.....	4:42	51st Ave & Olive Ave.....	8:11			West Transit Facility.....			12:59
51st Ave & Camelback Rd.....	4:50	51st Ave & Glendale Ave.....	8:18						
51st Ave & Glendale Ave.....	4:56	51st Ave & Camelback Rd.....	8:26			<i>51st Ave & Lower Buckeye Rd</i>			<i>12:52</i>
51st Ave & Olive Ave.....	5:03	51st Ave & Thomas Rd.....	8:35			<i>51st Ave & Baseline Rd.....</i>			<i>13:00</i>
ASU West Campus.....	5:14	51st Ave & Van Buren St.....	8:45			<i>Vee Quiva Casino.....</i>			<i>13:13</i>
		51st Ave & Lower Buckeye Rd...	8:52			<i>Komatke Health Center.....</i>			<i>13:28</i>
51 / South / 27 / 20160959		51st Ave & Baseline Rd.....	9:01			<i>51st Ave & Pecos Rd.....</i>			<i>13:32</i>
ASU West Campus.....	5:29	Vee Quiva Casino.....	9:13						
51st Ave & Olive Ave.....	5:40	Komatke Health Center.....	9:28			51 / North / 206 / 20161325			
51st Ave & Glendale Ave.....	5:47	51st Ave & Pecos Rd.....	9:32			<i>51st Ave & Pecos Rd.....</i>			<i>13:56</i>
51st Ave & Camelback Rd.....	5:54					<i>Vee Quiva Casino.....</i>			<i>14:06</i>
51st Ave & Thomas Rd.....	6:03	51 / North / 206 / 20161316				<i>51st Ave & Baseline Rd.....</i>			<i>14:18</i>
51st Ave & Van Buren St.....	6:14	51st Ave & Pecos Rd.....	9:56			<i>51st Ave & Lower Buckeye Rd</i>			<i>14:26</i>
51st Ave & Lower Buckeye Rd...	6:22	Vee Quiva Casino.....	10:06			<i>51st Ave & Van Buren St.....</i>			<i>14:33</i>
51st Ave & Baseline Rd.....	6:31	51st Ave & Baseline Rd.....	10:18			<i>51st Ave & Thomas Rd.....</i>			<i>14:42</i>
		51st Ave & Lower Buckeye Rd...	10:26			<i>51st Ave & Camelback Rd.....</i>			<i>14:52</i>
Deadhead		51st Ave & Van Buren St.....	10:33			<i>51st Ave & Glendale Ave.....</i>			<i>15:00</i>
51st Ave & Baseline Rd.....	6:31	51st Ave & Thomas Rd.....	10:42			<i>51st Ave & Olive Ave.....</i>			<i>15:07</i>
51st Ave & Baseline Rd.....	6:36	51st Ave & Camelback Rd.....	10:51			<i>ASU West Campus.....</i>			<i>15:22</i>
		51st Ave & Glendale Ave.....	10:57						
		51st Ave & Olive Ave.....	11:05						
		ASU West Campus.....	11:17						

Phoenix West

Effective: 01/22/2024

2034

Weekday

Duty Type	Block	Report Time	Start Place	Start Time	End Time	End Place	Clear Time	Paid Time	Seat Time
ST	2031	3:34	WEST	3:39	11:26	75BU			
	CAR		75BU	11:26	11:36	WEST	11:36	8h02	5h50

Sign-on	3:34	Deadhead		13 / West / 120 / 20161351
		75th Ave & Buckeye Rd.....	6:59	Sky Harbor West..... 10:13
Block	2031	75th Ave & Buckeye Rd.....	7:03	16th St & Buckeye Rd..... 10:21
				Central Ave & Buckeye Rd..... 10:27
Pull Out		13 / East / 36 / 20161657		19th Ave & Buckeye Rd..... 10:34
West Transit Facility.....	3:54	75th Ave & Buckeye Rd.....	7:24	43rd Ave & Buckeye Rd..... 10:45
Sky Harbor West.....	4:13	59th Ave & Buckeye Rd.....	7:29	59th Ave & Buckeye Rd..... 10:51
		43rd Ave & Buckeye Rd.....	7:35	75th Ave & Buckeye Rd..... 10:58
		19th Ave & Buckeye Rd.....	7:45	
13 / West / 120 / 20161969		Central Ave & Buckeye Rd.....	7:52	Deadhead
Sky Harbor West.....	4:13	16th St & Buckeye Rd.....	7:58	75th Ave & Buckeye Rd..... 10:58
16th St & Buckeye Rd.....	4:21	Sky Harbor West.....	8:07	75th Ave & Buckeye Rd..... 11:02
Central Ave & Buckeye Rd.....	4:27			
19th Ave & Buckeye Rd.....	4:34	13 / West / 120 / 20161363		Travel by
43rd Ave & Buckeye Rd.....	4:45	Sky Harbor West.....	8:13	CAR
59th Ave & Buckeye Rd.....	4:50	16th St & Buckeye Rd.....	8:21	Car Pull
75th Ave & Buckeye Rd.....	4:57	Central Ave & Buckeye Rd.....	8:27	75th Ave & Buckeye Rd..... 11:26
		19th Ave & Buckeye Rd.....	8:34	West Transit Facility..... 11:36
Deadhead		43rd Ave & Buckeye Rd.....	8:45	
75th Ave & Buckeye Rd.....	4:57	59th Ave & Buckeye Rd.....	8:51	13 / East / 36 / 20161665
75th Ave & Buckeye Rd.....	5:01	75th Ave & Buckeye Rd.....	8:58	<i>75th Ave & Buckeye Rd..... 11:26</i>
				<i>59th Ave & Buckeye Rd..... 11:30</i>
13 / East / 36 / 20161654		Deadhead		<i>43rd Ave & Buckeye Rd..... 11:36</i>
75th Ave & Buckeye Rd.....	5:26	75th Ave & Buckeye Rd.....	8:58	<i>19th Ave & Buckeye Rd..... 11:46</i>
59th Ave & Buckeye Rd.....	5:31	75th Ave & Buckeye Rd.....	9:02	<i>Central Ave & Buckeye Rd..... 11:53</i>
43rd Ave & Buckeye Rd.....	5:36			<i>16th St & Buckeye Rd..... 11:59</i>
19th Ave & Buckeye Rd.....	5:46	13 / East / 36 / 20161661		<i>Sky Harbor West..... 12:07</i>
Central Ave & Buckeye Rd.....	5:52	75th Ave & Buckeye Rd.....	9:26	
16th St & Buckeye Rd.....	5:58	59th Ave & Buckeye Rd.....	9:30	
Sky Harbor West.....	6:07	43rd Ave & Buckeye Rd.....	9:36	
		19th Ave & Buckeye Rd.....	9:46	
13 / West / 120 / 20161359		Central Ave & Buckeye Rd.....	9:53	
Sky Harbor West.....	6:13	16th St & Buckeye Rd.....	9:59	
16th St & Buckeye Rd.....	6:21	Sky Harbor West.....	10:07	
Central Ave & Buckeye Rd.....	6:27			
19th Ave & Buckeye Rd.....	6:34			
43rd Ave & Buckeye Rd.....	6:45			
59th Ave & Buckeye Rd.....	6:52			
75th Ave & Buckeye Rd.....	6:59			

Phoenix West

Effective: 01/22/2024

2035

Weekday

Duty Type	Block	Report Time	Start Place	Start Time	End Time	End Place	Clear Time	Paid Time	Seat Time
ST	2033	3:36	WEST	3:41	11:04	83VB	11:11	7h35	6h17
	CAR		83VB	11:04	11:11	WEST			

Sign-on	3:36	3 / East / 86 / 20162048				Travel by		CAR	
		4th St & La Canada Blvd.....		7:23					
Block	2033	Avondale Civic Center.....		7:37		Car Pull			
		99th Ave & Van Buren St.....		7:43		83rd Ave & Van Buren St.....		11:04	
Pull Out		83rd Ave & Van Buren St.....		7:51		West Transit Facility.....		11:11	
West Transit Facility.....	3:56	67th Ave & Van Buren St.....		7:56					
83rd Ave & Van Buren St.....	4:01	51st Ave & Van Buren St.....		8:09		99th Ave & Van Buren St.....		11:12	
		35th Ave & Van Buren St.....		8:20		Avondale Civic Center.....		11:20	
3 / East / 181 / 20162035		19th Ave & Van Buren St.....		8:31		4th St & La Canada Blvd.....		11:31	
83rd Ave & Van Buren St.....	4:01	Central Ave & Van Buren St.....		8:40					
67th Ave & Van Buren St.....	4:06	24th St & Van Buren St.....		8:54		3 / East / 86 / 20162066			
51st Ave & Van Buren St.....	4:15	44th St & Van Buren St.....		9:03		4th St & La Canada Blvd.....		11:53	
35th Ave & Van Buren St.....	4:23	Galvin Pkwy & Van Buren St.....		9:10		Avondale Civic Center.....		12:07	
19th Ave & Van Buren St.....	4:32	Phoenix Zoo.....		9:14		99th Ave & Van Buren St.....		12:13	
Central Ave & Van Buren St.....	4:40					83rd Ave & Van Buren St.....		12:21	
24th St & Van Buren St.....	4:51	3 / West / 546 / 20162120				67th Ave & Van Buren St.....		12:26	
44th St & Van Buren St.....	4:59	Phoenix Zoo.....		9:39		51st Ave & Van Buren St.....		12:39	
Galvin Pkwy & Van Buren St...	5:05	Galvin Pkwy & Van Buren St.....		9:42		35th Ave & Van Buren St.....		12:50	
		44th St & Van Buren St.....		9:50		19th Ave & Van Buren St.....		13:01	
Deadhead		24th St & Van Buren St.....		10:03		Central Ave & Van Buren St....		13:10	
Galvin Pkwy & Van Buren St...	5:05	2nd Ave & Van Buren St.....		10:18		24th St & Van Buren St.....		13:24	
Galvin Pkwy & Van Buren St...	5:11	19th Ave & Van Buren St.....		10:27		44th St & Van Buren St.....		13:33	
		35th Ave & Van Buren St.....		10:37		Galvin Pkwy & Van Buren St...		13:40	
3 / West / 546 / 20162103		51st Ave & Van Buren St.....		10:47		Phoenix Zoo.....		13:44	
Galvin Pkwy & Van Buren St...	5:20	67th Ave & Van Buren St.....		10:56					
44th St & Van Buren St.....	5:26	83rd Ave & Van Buren St.....		11:04					
24th St & Van Buren St.....	5:36								
2nd Ave & Van Buren St.....	5:48								
19th Ave & Van Buren St.....	5:56								
35th Ave & Van Buren St.....	6:05								
51st Ave & Van Buren St.....	6:15								
67th Ave & Van Buren St.....	6:24								
83rd Ave & Van Buren St.....	6:32								
99th Ave & Van Buren St.....	6:40								
Avondale Civic Center.....	6:48								
4th St & La Canada Blvd.....	6:59								

Phoenix West

Effective: 01/22/2024

2036

Weekday

Duty Type	Block	Report Time	Start Place	Start Time	End Time	End Place	Clear Time	Paid Time	Seat Time
ST	2035	3:38	WEST	3:43	11:09	99MC	11:20	7h42	6h50
	CAR		99MC	11:09	11:20	WEST			

Sign-on	3:38	17 / East / 132 / 20161026				Travel by		CAR	
		Pebble Creek Pkwy & McDow	7:03						
Block	2035	Litchfield Rd & McDowell Rd.....	7:10			Car Pull			
		99th Ave & McDowell Rd.....	7:25			99th Ave & McDowell Rd.....	11:09		
Pull Out		83rd Ave & McDowell Rd.....	7:33			West Transit Facility.....	11:20		
West Transit Facility.....	3:58	67th Ave & McDowell Rd.....	7:40						
Pima Rd & McDowell Rd.....	4:46	43rd Ave & McDowell Rd.....	7:54			<i>Litchfield Rd & McDowell Rd...</i>	<i>11:24</i>		
		19th Ave & McDowell Rd.....	8:10			<i>Pebble Creek Pkwy & McDow</i>	<i>11:31</i>		
		Central Ave & McDowell Rd.....	8:20						
17 / West / 127 / 20161646		24th St & McDowell Rd.....	8:34			17 / East / 132 / 20160989			
Pima Rd & McDowell Rd.....	4:46	44th St & McDowell Rd.....	8:46			<i>Pebble Creek Pkwy & McDow</i>	<i>12:23</i>		
Scottsdale Rd & McDowell Rd...	4:53	52nd St & McDowell Rd.....	8:50			<i>Litchfield Rd & McDowell Rd...</i>	<i>12:30</i>		
52nd St & McDowell Rd.....	5:00	Scottsdale Rd & McDowell Rd...	8:59			<i>99th Ave & McDowell Rd.....</i>	<i>12:45</i>		
44th St & McDowell Rd.....	5:04	Pima Rd & McDowell Rd.....	9:07			<i>83rd Ave & McDowell Rd.....</i>	<i>12:53</i>		
24th St & McDowell Rd.....	5:17					<i>67th Ave & McDowell Rd.....</i>	<i>13:00</i>		
Central Ave & McDowell Rd.....	5:27	Deadhead				<i>43rd Ave & McDowell Rd.....</i>	<i>13:14</i>		
19th Ave & McDowell Rd.....	5:34	Pima Rd & McDowell Rd.....	9:07			<i>19th Ave & McDowell Rd.....</i>	<i>13:30</i>		
43rd Ave & McDowell Rd.....	5:51	Pima Rd & McDowell Rd.....	9:14			<i>Central Ave & McDowell Rd...</i>	<i>13:40</i>		
67th Ave & McDowell Rd.....	6:03					<i>24th St & McDowell Rd.....</i>	<i>13:55</i>		
83rd Ave & McDowell Rd.....	6:10	17 / West / 127 / 20161606				<i>44th St & McDowell Rd.....</i>	<i>14:07</i>		
99th Ave & McDowell Rd.....	6:18	Pima Rd & McDowell Rd.....	9:30			<i>52nd St & McDowell Rd.....</i>	<i>14:11</i>		
Litchfield Rd & McDowell Rd.....	6:33	Scottsdale Rd & McDowell Rd...	9:37			<i>Scottsdale Rd & McDowell Rd</i>	<i>14:20</i>		
Pebble Creek Pkwy & McDow	6:40	52nd St & McDowell Rd.....	9:45			<i>Pima Rd & McDowell Rd.....</i>	<i>14:28</i>		
		44th St & McDowell Rd.....	9:49						
Deadhead		24th St & McDowell Rd.....	10:04						
Pebble Creek Pkwy & McDow	6:40	Central Ave & McDowell Rd.....	10:17						
Pebble Creek Pkwy & McDow	6:47	19th Ave & McDowell Rd.....	10:25						
		43rd Ave & McDowell Rd.....	10:42						
		67th Ave & McDowell Rd.....	10:54						
		83rd Ave & McDowell Rd.....	11:01						
		99th Ave & McDowell Rd.....	11:09						

Phoenix West

Effective: 01/22/2024

2037
Weekday

Duty Type	Block	Report Time	Start Place	Start Time	End Time	End Place	Clear Time	Paid Time	Seat Time
ST	2036	3:39	WEST	3:44	12:18	107I-E			
	CAR		107I-E	12:18	12:35	WEST	12:35	8h56	7h37

Sign-on	3:39	Deadhead	
		83rd Ave & Indian School Rd..	7:41
Block	2036	107th Ave & Indian School Rd.	7:53

Pull Out		41 / East / 172 / 20161956	
West Transit Facility.....	3:59	107th Ave & Indian School Rd.	8:06
107th Ave & Indian School Rd.	4:14	83rd Ave & Indian School Rd.....	8:15

41 / East / 172 / 20161964		59th Ave & Indian School Rd.....	8:28
107th Ave & Indian School Rd.	4:14	43rd Ave & Indian School Rd.....	8:37
83rd Ave & Indian School Rd.....	4:22	19th Ave & Indian School Rd.....	8:52
59th Ave & Indian School Rd.....	4:32	Central Ave & Indian School Rd.	9:00
43rd Ave & Indian School Rd.....	4:39	Central Ave & Indian School Rd.	9:04
19th Ave & Indian School Rd.....	4:52	24th St & Indian School Rd.....	9:18
Central Ave & Indian School Rd.	5:00	32nd St & Indian School Rd.....	9:23
Central Ave & Indian School Rd.	5:04	44th St & Indian School Rd.....	9:29
24th St & Indian School Rd.....	5:13	56th St & Indian School Rd.....	9:35
32nd St & Indian School Rd.....	5:18	Scottsdale Rd & Indian School	9:41
44th St & Indian School Rd.....	5:23	Granite Reef Rd & Indian Sch	9:49
56th St & Indian School Rd.....	5:28	-----	
Scottsdale Rd & Indian School	5:34	Deadhead	
Granite Reef Rd & Indian Sch	5:39	Granite Reef Rd & Indian Sch	9:49
		Pima Rd & Chaparral Rd.....	9:53

Deadhead		Deadhead	
Granite Reef Rd & Indian Sch	5:39	Pima Rd & Chaparral Rd.....	10:21
Pima Rd & Chaparral Rd.....	5:43	Granite Reef Rd & Indian Sch	10:25

Deadhead			
Pima Rd & Chaparral Rd.....	6:01		
Granite Reef Rd & Indian Sch	6:05		

41 / West / 141 / 20161805			
Granite Reef Rd & Indian Sch	6:05		
Scottsdale Rd & Indian School	6:10		
56th St & Indian School Rd.....	6:18		
44th St & Indian School Rd.....	6:22		
32nd St & Indian School Rd.....	6:29		
24th St & Indian School Rd.....	6:36		
Central Ave & Indian School Rd.	6:50		
Central Ave & Indian School Rd.	6:54		
19th Ave & Indian School Rd.....	7:02		
43rd Ave & Indian School Rd.....	7:18		
59th Ave & Indian School Rd.....	7:28		
83rd Ave & Indian School Rd..	7:41		

41 / West / 724 / 20161832	
Granite Reef Rd & Indian Sch	10:25
Scottsdale Rd & Indian School	10:30
56th St & Indian School Rd.....	10:38
44th St & Indian School Rd.....	10:42
32nd St & Indian School Rd.....	10:49
24th St & Indian School Rd.....	10:56
Central Ave & Indian School Rd.	11:10
Central Ave & Indian School Rd.	11:14
19th Ave & Indian School Rd.....	11:23
43rd Ave & Indian School Rd.....	11:39
59th Ave & Indian School Rd.....	11:49
83rd Ave & Indian School Rd.....	12:02
107th Ave & Indian School Rd.	12:12

Deadhead	
107th Ave & Indian School Rd.	12:12
107th Ave & Indian School Rd.	12:18

Travel by	CAR

Car Pull	
107th Ave & Indian School Rd.	12:18
West Transit Facility.....	12:35

41 / East / 172 / 20161949	
107th Ave & Indian School Rd.	12:44
83rd Ave & Indian School Rd..	12:53
59th Ave & Indian School Rd...	13:05
43rd Ave & Indian School Rd..	13:14
19th Ave & Indian School Rd...	13:30
Central Ave & Indian School R	13:40
Central Ave & Indian School R	13:44
24th St & Indian School Rd.....	13:58
32nd St & Indian School Rd....	14:03
44th St & Indian School Rd.....	14:09
56th St & Indian School Rd.....	14:15
Scottsdale Rd & Indian Schoo	14:21
Granite Reef Rd & Indian Sch	14:29

Phoenix West

Effective: 01/22/2024

2038
Weekday

Duty Type	Block	Report Time	Start Place	Start Time	End Time	End Place	Clear Time	Paid Time	Seat Time
ST	2038	3:43	WEST	3:48	9:52	43LB	10:13	6h30	4h49
	CAR		43LB	9:52	10:13	WEST			

Sign-on	3:43	43 / South / 207 / 20161143		43 / South / 207 / 20161153
		43rd Ave & Union Hills Dr.....	5:52	43rd Ave & Union Hills Dr.....
Block	2038	43rd Ave & Thunderbird Rd.....	5:59	43rd Ave & Thunderbird Rd.....
		43rd Ave & Dunlap Ave.....	6:09	43rd Ave & Dunlap Ave.....
Pull Out		43rd Ave & Glendale Ave.....	6:17	43rd Ave & Glendale Ave.....
West Transit Facility.....	4:03	43rd Ave & Camelback Rd.....	6:25	43rd Ave & Camelback Rd.....
43rd Ave & Lower Buckeye Rd	4:18	43rd Ave & Thomas Rd.....	6:34	43rd Ave & Thomas Rd.....
		43rd Ave & Van Buren St.....	6:45	43rd Ave & Van Buren St.....
		43rd Ave & Lower Buckeye Rd	6:52	43rd Ave & Lower Buckeye Rd
43 / North / 182 / 20161980				
43rd Ave & Lower Buckeye Rd	4:18			
43rd Ave & Van Buren St.....	4:25	Deadhead		Travel by
43rd Ave & Thomas Rd.....	4:32	43rd Ave & Lower Buckeye Rd	6:52	CAR
43rd Ave & Camelback Rd.....	4:40	43rd Ave & Lower Buckeye Rd	6:58	
43rd Ave & Glendale Ave.....	4:47			Car Pull
43rd Ave & Dunlap Ave.....	4:54	43 / North / 182 / 20161067		43rd Ave & Lower Buckeye Rd
43rd Ave & Thunderbird Rd.....	5:02	43rd Ave & Lower Buckeye Rd	7:14	West Transit Facility.....
43rd Ave & Union Hills Dr.....	5:09	43rd Ave & Van Buren St.....	7:21	10:13
		43rd Ave & Thomas Rd.....	7:30	43 / North / 182 / 20161075
Deadhead		43rd Ave & Camelback Rd.....	7:40	<i>43rd Ave & Lower Buckeye Rd</i>
43rd Ave & Union Hills Dr.....	5:09	43rd Ave & Glendale Ave.....	7:49	<i>43rd Ave & Van Buren St.....</i>
43rd Ave & Union Hills Dr.....	5:16	43rd Ave & Dunlap Ave.....	7:57	<i>43rd Ave & Thomas Rd.....</i>
		43rd Ave & Thunderbird Rd.....	8:06	<i>43rd Ave & Camelback Rd.....</i>
		43rd Ave & Union Hills Dr.....	8:15	<i>43rd Ave & Glendale Ave.....</i>
				<i>43rd Ave & Dunlap Ave.....</i>
		Deadhead		<i>43rd Ave & Thunderbird Rd.....</i>
		43rd Ave & Union Hills Dr.....	8:15	<i>43rd Ave & Union Hills Dr.....</i>
		43rd Ave & Union Hills Dr.....	8:22	

Phoenix West

Effective: 01/22/2024

2039

Weekday

Duty Type	Block	Report Time	Start Place	Start Time	End Time	End Place	Clear Time	Paid Time	Seat Time
ST	2039	3:46	WEST	3:51	13:10	83VB			
	CAR		83VB	13:10	13:17	WEST	13:17	9h31	6h46

Sign-on	3:46	83 / South / 155 / 20161735			83 / North / 183 / 20161019				
		Arrowhead Mall North.....	6:52		83rd Ave & Van Buren St.....		10:40		
Block	2039	83rd Ave & Thunderbird Rd.....	7:03		Desert Sky TC.....		10:51		
		83rd Ave & Peoria Ave.....	7:09		83rd Ave & Camelback Rd.....		11:01		
Pull Out		83rd Ave & Glendale Ave.....	7:21		83rd Ave & Glendale Ave.....		11:07		
West Transit Facility.....	4:06	83rd Ave & Camelback Rd.....	7:27		83rd Ave & Peoria Ave.....		11:19		
83rd Ave & Van Buren St.....	4:11	Desert Sky TC.....	7:36		83rd Ave & Thunderbird Rd.....		11:25		
		83rd Ave & Van Buren St.....	7:45		Arrowhead Mall North.....		11:36		
83 / North / 153 / 20162003		Deadhead			Deadhead				
83rd Ave & Van Buren St.....	4:11	83rd Ave & Van Buren St.....	7:45		Arrowhead Mall North.....		11:36		
Desert Sky TC.....	4:21	83rd Ave & Van Buren St.....	7:49		Arrowhead Mall Layover.....		11:38		
83rd Ave & Camelback Rd.....	4:30								
Deadhead		83 / North / 183 / 20161009			Deadhead				
83rd Ave & Camelback Rd.....	4:30	83rd Ave & Van Buren St.....	8:10		Arrowhead Mall Layover.....		11:50		
83rd Ave & Camelback Rd.....	4:38	Desert Sky TC.....	8:21		Arrowhead Mall North.....		11:52		
		83rd Ave & Camelback Rd.....	8:30						
83 / South / 155 / 20161802		83rd Ave & Glendale Ave.....	8:36		83 / South / 155 / 20161757				
83rd Ave & Camelback Rd.....	4:58	83rd Ave & Peoria Ave.....	8:48		Arrowhead Mall North.....		11:52		
Desert Sky TC.....	5:06	83rd Ave & Thunderbird Rd.....	8:54		83rd Ave & Thunderbird Rd.....		12:03		
83rd Ave & Van Buren St.....	5:14	Arrowhead Mall North.....	9:05		83rd Ave & Peoria Ave.....		12:09		
					83rd Ave & Glendale Ave.....		12:21		
Deadhead		Deadhead			83rd Ave & Camelback Rd.....		12:27		
83rd Ave & Van Buren St.....	5:14	Arrowhead Mall North.....	9:05		Desert Sky TC.....		12:36		
83rd Ave & Van Buren St.....	5:18	Arrowhead Mall Layover.....	9:07		83rd Ave & Van Buren St.....		12:46		
83 / North / 183 / 20160997		Deadhead			Deadhead				
83rd Ave & Van Buren St.....	5:41	Arrowhead Mall Layover.....	9:20		83rd Ave & Van Buren St.....		12:46		
Desert Sky TC.....	5:51	Arrowhead Mall North.....	9:22		83rd Ave & Van Buren St.....		12:50		
83rd Ave & Camelback Rd.....	6:00								
83rd Ave & Glendale Ave.....	6:06	83 / South / 155 / 20161738			Travel by		CAR		
83rd Ave & Peoria Ave.....	6:17	Arrowhead Mall North.....	9:22						
83rd Ave & Thunderbird Rd.....	6:23	83rd Ave & Thunderbird Rd.....	9:33		Car Pull				
Arrowhead Mall North.....	6:33	83rd Ave & Peoria Ave.....	9:39		83rd Ave & Van Buren St.....		13:10		
		83rd Ave & Glendale Ave.....	9:51		West Transit Facility.....		13:17		
Deadhead		83rd Ave & Camelback Rd.....	9:57						
Arrowhead Mall North.....	6:33	Desert Sky TC.....	10:06		83 / North / 183 / 20161027				
Arrowhead Mall Layover.....	6:35	83rd Ave & Van Buren St.....	10:15		83rd Ave & Van Buren St.....		13:10		
					Desert Sky TC.....		13:21		
Deadhead		Deadhead			83rd Ave & Camelback Rd.....		13:31		
Arrowhead Mall Layover.....	6:50	83rd Ave & Van Buren St.....	10:15		83rd Ave & Glendale Ave.....		13:37		
Arrowhead Mall North.....	6:52	83rd Ave & Van Buren St.....	10:19		83rd Ave & Peoria Ave.....		13:49		
					83rd Ave & Thunderbird Rd.....		13:55		
					Arrowhead Mall North.....		14:07		

Phoenix West

Effective: 01/22/2024

2040

Weekday

Duty Type	Block	Report Time	Start Place	Start Time	End Time	End Place	Clear Time	Paid Time	Seat Time
ST	2040	3:47	WEST 94TH	3:52	10:31	94TH	10:47	7h00	5h31

Sign-on	3:47	29 / East / 31 / 20161522				Deadhead			
		93rd Ave & Thomas Rd.....		6:18		93rd Ave & Thomas Rd.....		10:02	
Block	2040	Thomas Rd at Desert Sky TC....		6:24		94th Av Layover.....		10:03	
		67th Ave & Thomas Rd.....		6:33					
Pull Out		51st Ave & Thomas Rd.....		6:44		Travel by		CAR	
West Transit Facility.....	4:07	35th Ave & Thomas Rd.....		6:51					
56th St & Thomas Rd.....	4:42	19th Ave & Thomas Rd.....		7:06		Car Pull			
		Central Ave & Thomas Rd.....		7:19		94th Av Layover.....		10:31	
29 / West / 199 / 20161413		24th St & Thomas Rd.....		7:29		West Transit Facility.....		10:47	
56th St & Thomas Rd.....	4:42	44th St & Thomas Rd.....		7:43					
44th St & Thomas Rd.....	4:49	56th St & Thomas Rd.....		7:48		29 / East / 31 / 20161547			
24th St & Thomas Rd.....	4:57	Scottsdale Rd & Thomas Rd....		7:55		<i>93rd Ave & Thomas Rd.....</i>		<i>10:32</i>	
Central Ave & Thomas Rd.....	5:08	Pima Park.....		8:02		<i>Thomas Rd at Desert Sky TC..</i>		<i>10:38</i>	
19th Ave & Thomas Rd.....	5:16					<i>67th Ave & Thomas Rd.....</i>		<i>10:45</i>	
35th Ave & Thomas Rd.....	5:26	29 / West / 199 / 20161469				<i>51st Ave & Thomas Rd.....</i>		<i>10:52</i>	
51st Ave & Thomas Rd.....	5:34	Pima Park.....		8:25		<i>35th Ave & Thomas Rd.....</i>		<i>11:00</i>	
67th Ave & Thomas Rd.....	5:41	Scottsdale Rd & Thomas Rd....		8:30		<i>19th Ave & Thomas Rd.....</i>		<i>11:11</i>	
Desert Sky TC.....	5:49	56th St & Thomas Rd.....		8:36		<i>Central Ave & Thomas Rd.....</i>		<i>11:24</i>	
Desert Sky TC.....	5:52	44th St & Thomas Rd.....		8:44		<i>24th St & Thomas Rd.....</i>		<i>11:35</i>	
93rd Ave & Thomas Rd.....	5:58	24th St & Thomas Rd.....		8:54		<i>44th St & Thomas Rd.....</i>		<i>11:51</i>	
		Central Ave & Thomas Rd.....		9:08		<i>56th St & Thomas Rd.....</i>		<i>11:57</i>	
Deadhead		19th Ave & Thomas Rd.....		9:17		<i>Scottsdale Rd & Thomas Rd...</i>		<i>12:03</i>	
93rd Ave & Thomas Rd.....	5:58	35th Ave & Thomas Rd.....		9:28		<i>Pima Park.....</i>		<i>12:12</i>	
94th Av Layover.....	5:59	51st Ave & Thomas Rd.....		9:37					
		67th Ave & Thomas Rd.....		9:45					
Deadhead		Desert Sky TC.....		9:53					
94th Av Layover.....	6:17	Desert Sky TC.....		9:56					
93rd Ave & Thomas Rd.....	6:18	93rd Ave & Thomas Rd.....		10:02					

Phoenix West

Effective: 01/22/2024

2041

Weekday

Duty Type	Block	Report Time	Start Place	Start Time	End Time	End Place	Clear Time	Paid Time	Seat Time
ST	2041	3:50	WEST	3:55	14:18	67VB			
	CAR		67VB	14:18	14:30	WEST	14:30	10h40	8h16

Sign-on	3:50	Deadhead			75 / South / 149 / 20161706				
		75th Ave & Lower Buckeye Rd		7:02	75th Ave & Camelback Rd.....				11:07
Block	2041	Sierra Linda HS-North.....		7:07	Desert Sky TC.....				11:17
					75th Ave & Van Buren St.....				11:28
Pull Out		67 / North / 108 / 20161235			75th Ave & Lower Buckeye Rd				11:32
West Transit Facility.....	4:10	Sierra Linda HS-North.....		7:25					
75th Ave & Lower Buckeye Rd	4:20	67th Ave & Van Buren St.....		7:36	Deadhead				
		67th Ave & Thomas Rd.....		7:46	75th Ave & Lower Buckeye Rd				11:32
75 / North / 147 / 20162001		67th Ave & Camelback Rd.....		7:54	Sierra Linda HS-North.....				11:37
75th Ave & Lower Buckeye Rd	4:20	67th Ave & Glendale Ave.....		8:05					
75th Ave & Van Buren St.....	4:24	67th Ave & Olive Ave.....		8:14	67 / North / 108 / 20161203				
Desert Sky TC.....	4:37	67th Ave & Thunderbird Rd.....		8:23	Sierra Linda HS-North.....				11:56
75th Ave & Camelback Rd.....	4:45	67th Ave & Union Hills Dr.....		8:33	67th Ave & Van Buren St.....				12:06
					67th Ave & Thomas Rd.....				12:15
Deadhead		Deadhead			67th Ave & Camelback Rd.....				12:24
75th Ave & Camelback Rd.....	4:45	67th Ave & Union Hills Dr.....		8:33	67th Ave & Glendale Ave.....				12:35
67th Ave & Camelback Rd.....	4:48	67th Ave & Union Hills Dr.....		8:38	67th Ave & Olive Ave.....				12:44
					67th Ave & Thunderbird Rd.....				12:54
67 / South / 254 / 20161576		67 / South / 254 / 20161607			67th Ave & Union Hills Dr.....				13:04
67th Ave & Camelback Rd.....	4:56	67th Ave & Union Hills Dr.....		8:51					
67th Ave & Thomas Rd.....	5:05	67th Ave & Thunderbird Rd.....		8:59	Deadhead				
67th Ave & Van Buren St.....	5:15	67th Ave & Olive Ave.....		9:08	67th Ave & Union Hills Dr.....				13:04
Sierra Linda HS-South.....	5:23	67th Ave & Glendale Ave.....		9:17	67th Ave & Union Hills Dr.....				13:09
		67th Ave & Camelback Rd.....		9:26					
Deadhead		67th Ave & Thomas Rd.....		9:35	67 / South / 254 / 20161621				
Sierra Linda HS-South.....	5:23	67th Ave & Van Buren St.....		9:45	67th Ave & Union Hills Dr.....				13:20
75th Ave & Lower Buckeye Rd	5:28	Sierra Linda HS-South.....		9:53	67th Ave & Thunderbird Rd.....				13:29
					67th Ave & Olive Ave.....				13:39
75 / North / 147 / 20161743		Deadhead			67th Ave & Glendale Ave.....				13:47
75th Ave & Lower Buckeye Rd	5:48	Sierra Linda HS-South.....		9:53	67th Ave & Camelback Rd.....				13:56
75th Ave & Van Buren St.....	5:54	75th Ave & Lower Buckeye Rd		9:58	67th Ave & Thomas Rd.....				14:05
Desert Sky TC.....	6:07				67th Ave & Van Buren St.....				14:18
75th Ave & Camelback Rd.....	6:17	75 / North / 147 / 20161758							
		75th Ave & Lower Buckeye Rd		10:17	Travel by				CAR
Deadhead		75th Ave & Van Buren St.....		10:22	Car Pull				
75th Ave & Camelback Rd.....	6:17	Desert Sky TC.....		10:37	67th Ave & Van Buren St.....				14:18
75th Ave & Camelback Rd.....	6:29	75th Ave & Camelback Rd.....		10:46	West Transit Facility.....				14:30
75 / South / 149 / 20161697		Deadhead			<i>Sierra Linda HS-South.....</i>				<i>14:28</i>
75th Ave & Camelback Rd.....	6:36	75th Ave & Camelback Rd.....		10:46					
Desert Sky TC.....	6:47	75th Ave & Camelback Rd.....		10:58					
75th Ave & Van Buren St.....	6:58				75 / North / 147 / 20161772				
75th Ave & Lower Buckeye Rd	7:02				<i>75th Ave & Lower Buckeye Rd</i>				<i>15:11</i>
					<i>75th Ave & Van Buren St.....</i>				<i>15:17</i>
					<i>Desert Sky TC.....</i>				<i>15:37</i>
					<i>75th Ave & Camelback Rd.....</i>				<i>15:50</i>

Phoenix West

Effective: 01/22/2024

2042

Weekday

Duty Type	Block	Report Time	Start Place	Start Time	End Time	End Place	Clear Time	Paid Time	Seat Time
ST	2042	3:52	WEST	3:57	11:34	51HD			
	CAR		51HD	11:34	11:45	WEST	11:45	7h53	6h06

Sign-on	3:52	59 / South / 220 / 20161434			59 / South / 220 / 20161439				
		59th Ave & Beardsley Rd.....	7:20		59th Ave & Beardsley Rd.....	10:18			
Block	2042	59th Ave & Bell Rd.....	7:26		59th Ave & Bell Rd.....	10:25			
		59th Ave & Thunderbird Rd.....	7:32		59th Ave & Thunderbird Rd.....	10:32			
Pull Out		59th Ave & Olive Ave.....	7:45		59th Ave & Olive Ave.....	10:45			
West Transit Facility.....	4:12	59th Ave & Glendale Ave.....	7:56		59th Ave & Glendale Ave.....	10:56			
59th Ave & Buckeye Rd.....	4:24	59th Ave & Camelback Rd.....	8:06		59th Ave & Camelback Rd.....	11:06			
		59th Ave & Thomas Rd.....	8:16		59th Ave & Thomas Rd.....	11:16			
59 / North / 266 / 20161991		59th Ave & Van Buren St.....	8:26		59th Ave & Van Buren St.....	11:27			
59th Ave & Buckeye Rd.....	4:24	59th Ave & Buckeye Rd.....	8:29		59th Ave & Buckeye Rd.....	11:30			
59th Ave & Van Buren St.....	4:26								
59th Ave & Thomas Rd.....	4:34	Deadhead			Deadhead				
59th Ave & Camelback Rd.....	4:43	59th Ave & Buckeye Rd.....	8:29		59th Ave & Buckeye Rd.....	11:30			
		51st Ave & Hadley St.....	8:33		51st Ave & Hadley St.....	11:34			
Deadhead									
59th Ave & Camelback Rd.....	4:43	Deadhead			Travel by	CAR			
59th Ave & Camelback Rd.....	4:47	51st Ave & Hadley St.....	8:50						
		59th Ave & Buckeye Rd.....	8:54		Car Pull				
59 / South / 220 / 20161540					51st Ave & Hadley St.....	11:34			
59th Ave & Camelback Rd.....	5:06	59 / North / 830 / 20161475			West Transit Facility.....	11:45			
59th Ave & Thomas Rd.....	5:14	59th Ave & Buckeye Rd.....	8:54						
59th Ave & Van Buren St.....	5:24	59th Ave & Van Buren St.....	8:56		59 / North / 830 / 20161489				
59th Ave & Buckeye Rd.....	5:27	59th Ave & Thomas Rd.....	9:04		<i>59th Ave & Buckeye Rd.....</i>	<i>11:54</i>			
		59th Ave & Camelback Rd.....	9:13		<i>59th Ave & Van Buren St.....</i>	<i>11:56</i>			
Deadhead		59th Ave & Glendale Ave.....	9:24		<i>59th Ave & Thomas Rd.....</i>	<i>12:04</i>			
59th Ave & Buckeye Rd.....	5:27	59th Ave & Olive Ave.....	9:34		<i>59th Ave & Camelback Rd.....</i>	<i>12:13</i>			
51st Ave & Hadley St.....	5:31	59th Ave & Thunderbird Rd.....	9:45		<i>59th Ave & Glendale Ave.....</i>	<i>12:24</i>			
		59th Ave & Bell Rd.....	9:54		<i>59th Ave & Olive Ave.....</i>	<i>12:34</i>			
Deadhead		59th Ave & Beardsley Rd.....	10:03		<i>59th Ave & Thunderbird Rd.....</i>	<i>12:46</i>			
51st Ave & Hadley St.....	5:48				<i>59th Ave & Bell Rd.....</i>	<i>12:55</i>			
59th Ave & Buckeye Rd.....	5:52				<i>59th Ave & Beardsley Rd.....</i>	<i>13:04</i>			
59 / North / 830 / 20161467									
59th Ave & Buckeye Rd.....	5:52								
59th Ave & Van Buren St.....	5:54								
59th Ave & Thomas Rd.....	6:04								
59th Ave & Camelback Rd.....	6:13								
59th Ave & Glendale Ave.....	6:22								
59th Ave & Olive Ave.....	6:32								
59th Ave & Thunderbird Rd.....	6:43								
59th Ave & Bell Rd.....	6:52								
59th Ave & Beardsley Rd.....	7:01								

Phoenix West

Effective: 01/22/2024

2043

Weekday

Duty Type	Block	Report Time	Start Place	Start Time	End Time	End Place	Clear Time	Paid Time	Seat Time
ST	2043	3:53	WEST	3:58	12:04	51HD	12:15	8h22	6h56
	CAR		51HD	12:04	12:15	WEST			

Sign-on	3:53	59 / South / 220 / 20161435			59 / South / 220 / 20161440				
		59th Ave & Beardsley Rd.....	7:49		59th Ave & Beardsley Rd.....	10:48			
Block	2043	59th Ave & Bell Rd.....	7:55		59th Ave & Bell Rd.....	10:55			
		59th Ave & Thunderbird Rd.....	8:02		59th Ave & Thunderbird Rd.....	11:02			
Pull Out		59th Ave & Olive Ave.....	8:15		59th Ave & Olive Ave.....	11:15			
West Transit Facility.....	4:13	59th Ave & Glendale Ave.....	8:26		59th Ave & Glendale Ave.....	11:26			
59th Ave & Beardsley Rd.....	4:51	59th Ave & Camelback Rd.....	8:36		59th Ave & Camelback Rd.....	11:36			
		59th Ave & Thomas Rd.....	8:46		59th Ave & Thomas Rd.....	11:46			
59 / South / 220 / 20161429		59th Ave & Van Buren St.....	8:57		59th Ave & Van Buren St.....	11:57			
59th Ave & Beardsley Rd.....	4:51	59th Ave & Buckeye Rd.....	9:00		59th Ave & Buckeye Rd.....	12:00			
	4:56								
	5:02	Deadhead			Deadhead				
	5:15	59th Ave & Buckeye Rd.....	9:00		59th Ave & Buckeye Rd.....	12:00			
	5:26	51st Ave & Hadley St.....	9:04		51st Ave & Hadley St.....	12:04			
	5:36								
	5:44	Deadhead			Travel by	CAR			
	5:54	51st Ave & Hadley St.....	9:20		Car Pull				
	5:57	59th Ave & Buckeye Rd.....	9:24		51st Ave & Hadley St.....	12:04			
					West Transit Facility.....	12:15			
Deadhead		59 / North / 830 / 20161480			59 / North / 830 / 20161490				
59th Ave & Buckeye Rd.....	5:57	59th Ave & Buckeye Rd.....	9:24		<i>59th Ave & Buckeye Rd.....</i>	<i>12:24</i>			
51st Ave & Hadley St.....	6:01	59th Ave & Van Buren St.....	9:26		<i>59th Ave & Van Buren St.....</i>	<i>12:26</i>			
		59th Ave & Thomas Rd.....	9:34		<i>59th Ave & Thomas Rd.....</i>	<i>12:34</i>			
Deadhead		59th Ave & Camelback Rd.....	9:43		<i>59th Ave & Camelback Rd.....</i>	<i>12:43</i>			
51st Ave & Hadley St.....	6:18	59th Ave & Glendale Ave.....	9:54		<i>59th Ave & Glendale Ave.....</i>	<i>12:54</i>			
59th Ave & Buckeye Rd.....	6:22	59th Ave & Olive Ave.....	10:04		<i>59th Ave & Olive Ave.....</i>	<i>13:05</i>			
		59th Ave & Thunderbird Rd.....	10:15		<i>59th Ave & Thunderbird Rd.....</i>	<i>13:17</i>			
59 / North / 830 / 20161470		59th Ave & Bell Rd.....	10:24		<i>59th Ave & Bell Rd.....</i>	<i>13:26</i>			
59th Ave & Buckeye Rd.....	6:22	59th Ave & Beardsley Rd.....	10:33		<i>59th Ave & Beardsley Rd.....</i>	<i>13:35</i>			
	6:24								
	6:34								
	6:43								
	6:52								
	7:02								
	7:13								
	7:22								
59th Ave & Beardsley Rd.....	7:31								

Phoenix West

Effective: 01/22/2024

2044

Weekday

Duty Type	Block	Report Time	Start Place	Start Time	End Time	End Place	Clear Time	Paid Time	Seat Time
ST	2044	3:53	WEST	3:58	12:40	83VB			
	CAR		83VB	12:40	12:47	WEST	12:47	8h54	6h26

Sign-on	3:53	Deadhead			Deadhead				
		83rd Ave & Van Buren St.....		7:15	Arrowhead Mall North.....			11:06	
Block	2044	83rd Ave & Van Buren St.....		7:19	Arrowhead Mall Layover.....			11:08	
Pull Out		83 / North / 183 / 20161007			Deadhead				
West Transit Facility.....	4:13	83rd Ave & Van Buren St.....		7:40	Arrowhead Mall Layover.....			11:20	
83rd Ave & Camelback Rd.....	4:28	Desert Sky TC.....		7:51	Arrowhead Mall North.....			11:22	
		83rd Ave & Camelback Rd.....		8:00					
83 / South / 155 / 20162004		83rd Ave & Glendale Ave.....		8:06	83 / South / 155 / 20161754				
83rd Ave & Camelback Rd.....	4:28	83rd Ave & Peoria Ave.....		8:17	Arrowhead Mall North.....			11:22	
Desert Sky TC.....	4:36	83rd Ave & Thunderbird Rd.....		8:23	83rd Ave & Thunderbird Rd.....			11:33	
83rd Ave & Van Buren St.....	4:44	Arrowhead Mall North.....		8:34	83rd Ave & Peoria Ave.....			11:39	
					83rd Ave & Glendale Ave.....			11:51	
Deadhead		Deadhead			83rd Ave & Camelback Rd.....			11:57	
83rd Ave & Van Buren St.....	4:44	Arrowhead Mall North.....		8:34	Desert Sky TC.....			12:06	
83rd Ave & Van Buren St.....	4:48	Arrowhead Mall Layover.....		8:36	83rd Ave & Van Buren St.....			12:16	
83 / North / 183 / 20160994		Deadhead			Deadhead				
83rd Ave & Van Buren St.....	5:11	Arrowhead Mall Layover.....		8:50	83rd Ave & Van Buren St.....			12:16	
Desert Sky TC.....	5:21	Arrowhead Mall North.....		8:52	83rd Ave & Van Buren St.....			12:20	
83rd Ave & Camelback Rd.....	5:30								
83rd Ave & Glendale Ave.....	5:36	83 / South / 155 / 20161740			Travel by			CAR	
83rd Ave & Peoria Ave.....	5:47	Arrowhead Mall North.....		8:52	Car Pull				
83rd Ave & Thunderbird Rd.....	5:53	83rd Ave & Thunderbird Rd.....		9:03	83rd Ave & Van Buren St.....			12:40	
Arrowhead Mall North.....	6:03	83rd Ave & Peoria Ave.....		9:09	West Transit Facility.....			12:47	
		83rd Ave & Glendale Ave.....		9:21					
Deadhead		83rd Ave & Camelback Rd.....		9:27					
Arrowhead Mall North.....	6:03	Desert Sky TC.....		9:36	83 / North / 183 / 20161029				
Arrowhead Mall Layover.....	6:05	83rd Ave & Van Buren St.....		9:45	83rd Ave & Van Buren St.....			12:40	
					Desert Sky TC.....			12:51	
Deadhead		Deadhead			83rd Ave & Camelback Rd.....			13:01	
Arrowhead Mall Layover.....	6:22	83rd Ave & Van Buren St.....		9:45	83rd Ave & Glendale Ave.....			13:07	
Arrowhead Mall North.....	6:24	83rd Ave & Van Buren St.....		9:49	83rd Ave & Peoria Ave.....			13:19	
					83rd Ave & Thunderbird Rd.....			13:25	
83 / South / 155 / 20161731		83 / North / 183 / 20161017			Arrowhead Mall North.....			13:36	
Arrowhead Mall North.....	6:24	83rd Ave & Van Buren St.....		10:10					
83rd Ave & Thunderbird Rd.....	6:34	Desert Sky TC.....		10:21					
83rd Ave & Peoria Ave.....	6:40	83rd Ave & Camelback Rd.....		10:31					
83rd Ave & Glendale Ave.....	6:51	83rd Ave & Glendale Ave.....		10:37					
83rd Ave & Camelback Rd.....	6:57	83rd Ave & Peoria Ave.....		10:49					
Desert Sky TC.....	7:06	83rd Ave & Thunderbird Rd.....		10:55					
83rd Ave & Van Buren St.....	7:15	Arrowhead Mall North.....		11:06					

Phoenix West

Effective: 01/22/2024

2045

Weekday

Duty Type	Block	Report Time	Start Place	Start Time	End Time	End Place	Clear Time	Paid Time	Seat Time
ST	2046	3:57	WEST 94TH	4:02	12:02	94TH	12:18	8h21	6h38

Sign-on	3:57	Deadhead			Deadhead				
		Desert Sky TC.....		7:40	93rd Ave & Thomas Rd.....				11:34
Block	2046	Thomas Rd at Desert Sky TC..		7:42	94th Av Layover.....				11:35
Pull Out		29 / East / 31 / 20161238			Travel by				CAR
West Transit Facility.....	4:17	Thomas Rd at Desert Sky TC..		7:42	Car Pull				
93rd Ave & Thomas Rd.....	4:29	67th Ave & Thomas Rd.....		7:51	94th Av Layover.....				12:02
		51st Ave & Thomas Rd.....		8:02	West Transit Facility.....				12:18
29 / East / 31 / 20161488		35th Ave & Thomas Rd.....		8:11					
93rd Ave & Thomas Rd.....	4:29	19th Ave & Thomas Rd.....		8:26	29 / East / 31 / 20161552				
Thomas Rd at Desert Sky TC....	4:34	Central Ave & Thomas Rd.....		8:39	<i>93rd Ave & Thomas Rd.....</i>				<i>12:03</i>
67th Ave & Thomas Rd.....	4:39	24th St & Thomas Rd.....		8:49	<i>Thomas Rd at Desert Sky TC..</i>				<i>12:09</i>
51st Ave & Thomas Rd.....	4:47	44th St & Thomas Rd.....		9:03	<i>67th Ave & Thomas Rd.....</i>				<i>12:16</i>
35th Ave & Thomas Rd.....	4:54	56th St & Thomas Rd.....		9:08	<i>51st Ave & Thomas Rd.....</i>				<i>12:23</i>
19th Ave & Thomas Rd.....	5:04	Scottsdale Rd & Thomas Rd....		9:15	<i>35th Ave & Thomas Rd.....</i>				<i>12:30</i>
Central Ave & Thomas Rd.....	5:14	Pima Park.....		9:22	<i>19th Ave & Thomas Rd.....</i>				<i>12:40</i>
24th St & Thomas Rd.....	5:24				<i>Central Ave & Thomas Rd.....</i>				<i>12:52</i>
44th St & Thomas Rd.....	5:33	29 / West / 199 / 20161463			<i>24th St & Thomas Rd.....</i>				<i>13:04</i>
56th St & Thomas Rd.....	5:38	Pima Park.....		9:53	<i>44th St & Thomas Rd.....</i>				<i>13:20</i>
Scottsdale Rd & Thomas Rd....	5:45	Scottsdale Rd & Thomas Rd....		9:58	<i>56th St & Thomas Rd.....</i>				<i>13:26</i>
Pima Park.....	5:52	56th St & Thomas Rd.....		10:04	<i>Scottsdale Rd & Thomas Rd...</i>				<i>13:32</i>
		44th St & Thomas Rd.....		10:12	<i>Pima Park.....</i>				<i>13:41</i>
29 / West / 35 / 20161504		24th St & Thomas Rd.....		10:24					
Pima Park.....	6:05	Central Ave & Thomas Rd.....		10:38					
Scottsdale Rd & Thomas Rd....	6:09	19th Ave & Thomas Rd.....		10:48					
56th St & Thomas Rd.....	6:14	35th Ave & Thomas Rd.....		11:00					
44th St & Thomas Rd.....	6:21	51st Ave & Thomas Rd.....		11:09					
24th St & Thomas Rd.....	6:31	67th Ave & Thomas Rd.....		11:17					
Central Ave & Thomas Rd.....	6:45	Desert Sky TC.....		11:25					
19th Ave & Thomas Rd.....	6:54	Desert Sky TC.....		11:28					
35th Ave & Thomas Rd.....	7:05	93rd Ave & Thomas Rd.....		11:34					
51st Ave & Thomas Rd.....	7:13								
67th Ave & Thomas Rd.....	7:20								
Desert Sky TC.....	7:28								

Phoenix West

Effective: 01/22/2024

2046

Weekday

Duty Type	Block	Report Time	Start Place	Start Time	End Time	End Place	Clear Time	Paid Time	Seat Time
ST	2045	3:57	WEST 94TH	4:02	12:35	94TH	12:51	8h54	7h00

Sign-on	3:57	Deadhead	Deadhead
Block	2045	93rd Ave & Thomas Rd.....	93rd Ave & Thomas Rd.....
		94th Av Layover.....	94th Av Layover.....
Pull Out		Deadhead	Travel by
West Transit Facility.....	4:17	94th Av Layover.....	CAR
99th Ave & McDowell Rd.....	4:27	93rd Ave & Thomas Rd.....	Car Pull
			94th Av Layover.....
			West Transit Facility.....
17 / East / 132 / 20161630		29 / East / 31 / 20161532	
99th Ave & McDowell Rd.....	4:27	93rd Ave & Thomas Rd.....	8:27
83rd Ave & McDowell Rd.....	4:35	Thomas Rd at Desert Sky TC....	8:33
67th Ave & McDowell Rd.....	4:42	67th Ave & Thomas Rd.....	8:40
43rd Ave & McDowell Rd.....	4:53	51st Ave & Thomas Rd.....	8:47
19th Ave & McDowell Rd.....	5:07	35th Ave & Thomas Rd.....	8:56
Central Ave & McDowell Rd.....	5:15	19th Ave & Thomas Rd.....	9:11
24th St & McDowell Rd.....	5:27	Central Ave & Thomas Rd.....	9:24
44th St & McDowell Rd.....	5:38	24th St & Thomas Rd.....	9:35
52nd St & McDowell Rd.....	5:42	44th St & Thomas Rd.....	9:51
Scottsdale Rd & McDowell Rd...	5:49	56th St & Thomas Rd.....	9:56
McDowell Rd & Pima Rd East	5:57	Scottsdale Rd & Thomas Rd....	10:03
		Pima Park.....	10:10
Deadhead			
McDowell Rd & Pima Rd East	5:57	29 / West / 199 / 20161428	
Pima Park.....	6:02	Pima Park.....	10:53
		Scottsdale Rd & Thomas Rd....	10:58
29 / West / 199 / 20161501		56th St & Thomas Rd.....	11:04
Pima Park.....	6:21	44th St & Thomas Rd.....	11:12
Scottsdale Rd & Thomas Rd.....	6:25	24th St & Thomas Rd.....	11:24
56th St & Thomas Rd.....	6:30	Central Ave & Thomas Rd.....	11:38
44th St & Thomas Rd.....	6:37	19th Ave & Thomas Rd.....	11:48
24th St & Thomas Rd.....	6:47	35th Ave & Thomas Rd.....	12:00
Central Ave & Thomas Rd.....	7:01	51st Ave & Thomas Rd.....	12:09
19th Ave & Thomas Rd.....	7:10	67th Ave & Thomas Rd.....	12:17
35th Ave & Thomas Rd.....	7:21	Desert Sky TC.....	12:25
51st Ave & Thomas Rd.....	7:29	Desert Sky TC.....	12:28
67th Ave & Thomas Rd.....	7:36	93rd Ave & Thomas Rd.....	12:34
Desert Sky TC.....	7:44		
Desert Sky TC.....	7:47		
93rd Ave & Thomas Rd.....	7:53		

Phoenix West

Effective: 01/22/2024

2047

Weekday

Duty Type	Block	Report Time	Start Place	Start Time	End Time	End Place	Clear Time	Paid Time	Seat Time
ST	2047	3:58	WEST	4:03	12:23	75BU			
	CAR		75BU	12:23	12:33	WEST	12:33	8h35	6h25

Sign-on	3:58	13 / West / 120 / 20161364				13 / East / 36 / 20161663			
		Sky Harbor West	7:13			75th Ave & Buckeye Rd		10:26	
Block	2047	16th St & Buckeye Rd.....	7:21			59th Ave & Buckeye Rd.....		10:30	
		Central Ave & Buckeye Rd.....	7:27			43rd Ave & Buckeye Rd.....		10:36	
Pull Out		19th Ave & Buckeye Rd.....	7:34			19th Ave & Buckeye Rd.....		10:46	
West Transit Facility	4:18	43rd Ave & Buckeye Rd.....	7:45			Central Ave & Buckeye Rd.....		10:53	
75th Ave & Buckeye Rd	4:28	59th Ave & Buckeye Rd.....	7:52			16th St & Buckeye Rd.....		10:59	
		75th Ave & Buckeye Rd	7:59			Sky Harbor West		11:07	

		13 / East / 36 / 20161967							
75th Ave & Buckeye Rd	4:28	Deadhead				13 / West / 120 / 20161346			
59th Ave & Buckeye Rd.....	4:33	75th Ave & Buckeye Rd	7:59			Sky Harbor West		11:13	
43rd Ave & Buckeye Rd.....	4:38	75th Ave & Buckeye Rd	8:03			16th St & Buckeye Rd.....		11:21	
19th Ave & Buckeye Rd.....	4:48					Central Ave & Buckeye Rd.....		11:27	
Central Ave & Buckeye Rd.....	4:54	13 / East / 36 / 20161659				19th Ave & Buckeye Rd.....		11:34	
16th St & Buckeye Rd.....	5:00	75th Ave & Buckeye Rd	8:25			43rd Ave & Buckeye Rd.....		11:45	
Sky Harbor West	5:07	59th Ave & Buckeye Rd.....	8:30			59th Ave & Buckeye Rd.....		11:51	
		43rd Ave & Buckeye Rd.....	8:36			75th Ave & Buckeye Rd		11:58	
		19th Ave & Buckeye Rd.....	8:46						

		13 / West / 120 / 20161373							
Sky Harbor West	5:13	Central Ave & Buckeye Rd.....	8:53			Deadhead			
16th St & Buckeye Rd.....	5:21	16th St & Buckeye Rd.....	8:59			75th Ave & Buckeye Rd		11:58	
Central Ave & Buckeye Rd.....	5:27	Sky Harbor West	9:07			75th Ave & Buckeye Rd		12:02	
19th Ave & Buckeye Rd.....	5:34								
43rd Ave & Buckeye Rd.....	5:45	13 / West / 120 / 20161357				Travel by		CAR	
59th Ave & Buckeye Rd.....	5:52	Sky Harbor West	9:13			Car Pull			
75th Ave & Buckeye Rd	5:59	16th St & Buckeye Rd.....	9:21			75th Ave & Buckeye Rd		12:23	
		Central Ave & Buckeye Rd.....	9:27			West Transit Facility		12:33	
Deadhead		19th Ave & Buckeye Rd.....	9:34						
75th Ave & Buckeye Rd	5:59	43rd Ave & Buckeye Rd.....	9:45						
75th Ave & Buckeye Rd	6:03	59th Ave & Buckeye Rd.....	9:51						
		75th Ave & Buckeye Rd	9:58						

		13 / East / 36 / 20161653				13 / East / 36 / 20161667			
75th Ave & Buckeye Rd	6:22	Deadhead				75th Ave & Buckeye Rd		12:23	
59th Ave & Buckeye Rd.....	6:28	75th Ave & Buckeye Rd	9:58			59th Ave & Buckeye Rd.....		12:27	
43rd Ave & Buckeye Rd.....	6:35	75th Ave & Buckeye Rd	10:02			43rd Ave & Buckeye Rd.....		12:33	
19th Ave & Buckeye Rd.....	6:45					19th Ave & Buckeye Rd.....		12:44	
Central Ave & Buckeye Rd.....	6:52					Central Ave & Buckeye Rd.....		12:51	
16th St & Buckeye Rd.....	6:58					16th St & Buckeye Rd.....		12:58	
Sky Harbor West	7:07					Sky Harbor West		13:07	

Phoenix West

Effective: 01/22/2024

2048
Weekday

Duty Type	Block	Report Time	Start Place	Start Time	End Time	End Place	Clear Time	Paid Time	Seat Time
ST	2048	3:59	WEST	4:04	10:02	75LB	10:12	6h13	4h35
	CAR		75LB	10:02	10:12	WEST			

Sign-on	3:59	67 / North / 108 / 20161244	75 / North / 147 / 20161753
		Sierra Linda HS-North.....	5:57 75th Ave & Lower Buckeye Rd 8:47
Block	2048	67th Ave & Van Buren St.....	6:08 75th Ave & Van Buren St..... 8:52
		67th Ave & Thomas Rd.....	6:17 Desert Sky TC..... 9:07
Pull Out		67th Ave & Camelback Rd.....	6:24 75th Ave & Camelback Rd..... 9:16
West Transit Facility.....	4:19	67th Ave & Glendale Ave.....	6:34 -----
Sierra Linda HS-North.....	4:31	67th Ave & Olive Ave.....	6:41 Deadhead
		67th Ave & Thunderbird Rd.....	6:49 75th Ave & Camelback Rd..... 9:16
		67th Ave & Union Hills Dr.....	6:59 75th Ave & Camelback Rd..... 9:28
67 / North / 250 / 20161994		-----	-----
Sierra Linda HS-North.....	4:31	-----	-----
67th Ave & Van Buren St.....	4:38	Deadhead	75 / South / 149 / 20161702
67th Ave & Thomas Rd.....	4:47	67th Ave & Union Hills Dr.....	6:59 75th Ave & Camelback Rd..... 9:37
67th Ave & Camelback Rd.....	4:54	67th Ave & Union Hills Dr.....	7:04 Desert Sky TC..... 9:47
		-----	75th Ave & Van Buren St..... 9:58
Deadhead		67 / South / 254 / 20161599	75th Ave & Lower Buckeye Rd 10:02
67th Ave & Camelback Rd.....	4:54	67th Ave & Union Hills Dr.....	-----
75th Ave & Camelback Rd.....	4:57	67th Ave & Thunderbird Rd.....	Travel by CAR
		67th Ave & Olive Ave.....	-----
75 / South / 149 / 20161695		67th Ave & Glendale Ave.....	Car Pull
75th Ave & Camelback Rd.....	5:08	67th Ave & Camelback Rd.....	75th Ave & Lower Buckeye Rd 10:02
Desert Sky TC.....	5:17	67th Ave & Thomas Rd.....	West Transit Facility..... 10:12
75th Ave & Van Buren St.....	5:26	67th Ave & Van Buren St.....	-----
75th Ave & Lower Buckeye Rd	5:30	Sierra Linda HS-South.....	8:24
		-----	67 / North / 108 / 20161213
Deadhead		Deadhead	<i>Sierra Linda HS-North..... 10:26</i>
75th Ave & Lower Buckeye Rd	5:30	Sierra Linda HS-South.....	<i>67th Ave & Van Buren St..... 10:36</i>
Sierra Linda HS-North.....	5:35	75th Ave & Lower Buckeye Rd	<i>67th Ave & Thomas Rd..... 10:45</i>
		-----	<i>67th Ave & Camelback Rd..... 10:54</i>
		-----	<i>67th Ave & Glendale Ave..... 11:05</i>
		-----	<i>67th Ave & Olive Ave..... 11:13</i>
		-----	<i>67th Ave & Thunderbird Rd..... 11:23</i>
		-----	<i>67th Ave & Union Hills Dr..... 11:33</i>

Phoenix West

Effective: 01/22/2024

2049

Weekday

Duty Type	Block	Report Time	Start Place	Start Time	End Time	End Place	Clear Time	Paid Time	Seat Time
ST	2049	4:00	WEST	4:05	13:33	44IN			
	CAR		44IN	13:33	14:10	WEST	14:10	10h10	8h36

Sign-on	4:00	Deadhead			Deadhead				
		Granite Reef Rd & Indian Sch		8:30	Granite Reef Rd & Indian Sch			12:49	
Block	2049	Pima Rd & Chaparral Rd.....		8:34	Pima Rd & Chaparral Rd.....			12:53	
Pull Out		Deadhead			Deadhead				
West Transit Facility.....	4:20	Pima Rd & Chaparral Rd.....		8:51	Pima Rd & Chaparral Rd.....			13:12	
56th St & Indian School Rd.....	4:55	Granite Reef Rd & Indian Sch		8:55	Granite Reef Rd & Indian Sch			13:16	

41 / West / 724 / 20161813		41 / West / 724 / 20161842			41 / West / 141 / 20161833				
56th St & Indian School Rd.....	4:55	Granite Reef Rd & Indian Sch		8:55	Granite Reef Rd & Indian Sch			13:16	
44th St & Indian School Rd.....	4:58	Scottsdale Rd & Indian School		9:00	Scottsdale Rd & Indian School			13:21	
32nd St & Indian School Rd.....	5:03	56th St & Indian School Rd.....		9:08	56th St & Indian School Rd.....			13:28	
24th St & Indian School Rd.....	5:08	44th St & Indian School Rd.....		9:12	44th St & Indian School Rd.....			13:33	
Central Ave & Indian School Rd.	5:20	32nd St & Indian School Rd.....		9:19					
Central Ave & Indian School Rd.	5:24	24th St & Indian School Rd.....		9:26	Travel by			CAR	
19th Ave & Indian School Rd.....	5:31	Central Ave & Indian School Rd.		9:40					
43rd Ave & Indian School Rd.....	5:46	Central Ave & Indian School Rd.		9:44	Car Pull				
59th Ave & Indian School Rd.....	5:56	19th Ave & Indian School Rd.....		9:53	44th St & Indian School Rd.....			13:33	
83rd Ave & Indian School Rd.....	6:09	43rd Ave & Indian School Rd.....		10:09	West Transit Facility.....			14:10	
107th Ave & Indian School Rd.	6:19	59th Ave & Indian School Rd.....		10:19					
		83rd Ave & Indian School Rd.....		10:32					
Deadhead		107th Ave & Indian School Rd.		10:42					
107th Ave & Indian School Rd.	6:19								
107th Ave & Indian School Rd.	6:25	Deadhead							
		107th Ave & Indian School Rd.		10:42					
		107th Ave & Indian School Rd.		10:48					

41 / East / 172 / 20161958		41 / East / 172 / 20161948			17 / East / 132 / 20160986				
107th Ave & Indian School Rd.	6:43	107th Ave & Indian School Rd.		11:08	83rd Ave & McDowell Rd.....			15:13	
83rd Ave & Indian School Rd.....	6:52	83rd Ave & Indian School Rd.....		11:17	67th Ave & McDowell Rd.....			15:20	
59th Ave & Indian School Rd.....	7:06	59th Ave & Indian School Rd.....		11:28	43rd Ave & McDowell Rd.....			15:34	
43rd Ave & Indian School Rd.....	7:15	43rd Ave & Indian School Rd.....		11:37	19th Ave & McDowell Rd.....			15:50	
19th Ave & Indian School Rd.....	7:32	19th Ave & Indian School Rd.....		11:52	Central Ave & McDowell Rd...			16:00	
Central Ave & Indian School Rd.	7:40	Central Ave & Indian School Rd.		12:00	24th St & McDowell Rd.....			16:15	
Central Ave & Indian School Rd.	7:44	Central Ave & Indian School Rd.		12:04	44th St & McDowell Rd.....			16:27	
24th St & Indian School Rd.....	7:58	24th St & Indian School Rd.....		12:18	52nd St & McDowell Rd.....			16:31	
32nd St & Indian School Rd.....	8:03	32nd St & Indian School Rd.....		12:23	Scottsdale Rd & McDowell Rd			16:40	
44th St & Indian School Rd.....	8:10	44th St & Indian School Rd.....		12:29	Pima Rd & McDowell Rd.....			16:48	
56th St & Indian School Rd.....	8:16	56th St & Indian School Rd.....		12:35					
Scottsdale Rd & Indian School	8:22	Scottsdale Rd & Indian School		12:41					
Granite Reef Rd & Indian Sch	8:30	Granite Reef Rd & Indian Sch		12:49					

Phoenix West

Effective: 01/22/2024

2050

Weekday

Duty Type	Block	Report Time	Start Place	Start Time	End Time	End Place	Clear Time	Paid Time	Seat Time
ST	2050 CAR	4:03	WEST 44TH	4:08 13:36	13:36 14:11	44TH WEST	14:11	10h08	8h30

Sign-on	4:03	Deadhead	Travel by	CAR
Block	2050	McDowell Rd & Pima Rd East		9:46
Pull Out		Pima Rd & McDowell Rd.....	Car Pull	
West Transit Facility.....	4:23	17 / West / 125 / 20161596	44th St & Thomas Rd.....	13:36
Pima Rd & McDowell Rd.....	5:11	Pima Rd & McDowell Rd.....	West Transit Facility.....	14:11
		Scottsdale Rd & McDowell Rd....	56th St & Thomas Rd.....	13:42
		52nd St & McDowell Rd.....	Scottsdale Rd & Thomas Rd...	13:48
17 / West / 127 / 20161649		44th St & McDowell Rd.....	Pima Park.....	13:57
Pima Rd & McDowell Rd.....	5:11	24th St & McDowell Rd.....		
Scottsdale Rd & McDowell Rd....	5:18	Central Ave & McDowell Rd.....	29 / West / 199 / 20161411	
52nd St & McDowell Rd.....	5:25	19th Ave & McDowell Rd.....	Pima Park.....	14:25
44th St & McDowell Rd.....	5:29	43rd Ave & McDowell Rd.....	Scottsdale Rd & Thomas Rd...	14:30
24th St & McDowell Rd.....	5:44	67th Ave & McDowell Rd.....	56th St & Thomas Rd.....	14:37
Central Ave & McDowell Rd.....	5:57	83rd Ave & McDowell Rd.....	44th St & Thomas Rd.....	14:46
19th Ave & McDowell Rd.....	6:05		24th St & Thomas Rd.....	14:58
43rd Ave & McDowell Rd.....	6:22	Deadhead	Central Ave & Thomas Rd.....	15:16
67th Ave & McDowell Rd.....	6:34	83rd Ave & McDowell Rd.....	19th Ave & Thomas Rd.....	15:27
83rd Ave & McDowell Rd.....	6:41	Thomas Rd at Desert Sky TC..	35th Ave & Thomas Rd.....	15:43
99th Ave & McDowell Rd.....	6:49		51st Ave & Thomas Rd.....	15:54
Litchfield Rd & McDowell Rd....	7:04	29 / East / 31 / 20161173	67th Ave & Thomas Rd.....	16:03
Pebble Creek Pkwy & McDow	7:11	Thomas Rd at Desert Sky TC..	Desert Sky TC.....	16:14
Deadhead		67th Ave & Thomas Rd.....	Desert Sky TC.....	16:17
Pebble Creek Pkwy & McDow	7:11	51st Ave & Thomas Rd.....	93rd Ave & Thomas Rd.....	16:24
Pebble Creek Pkwy & McDow	7:18	35th Ave & Thomas Rd.....		
		19th Ave & Thomas Rd.....		
		Central Ave & Thomas Rd.....		
17 / East / 132 / 20161018		24th St & Thomas Rd.....		
Pebble Creek Pkwy & McDow	7:43	44th St & Thomas Rd.....		
Litchfield Rd & McDowell Rd.....	7:50			
99th Ave & McDowell Rd.....	8:05			
83rd Ave & McDowell Rd.....	8:13			
67th Ave & McDowell Rd.....	8:20			
43rd Ave & McDowell Rd.....	8:34			
19th Ave & McDowell Rd.....	8:50			
Central Ave & McDowell Rd.....	9:00			
24th St & McDowell Rd.....	9:14			
44th St & McDowell Rd.....	9:26			
52nd St & McDowell Rd.....	9:30			
Scottsdale Rd & McDowell Rd....	9:38			
McDowell Rd & Pima Rd East	9:46			

Phoenix West

Effective: 01/22/2024

2051
Weekday

Duty Type	Block	Report Time	Start Place	Start Time	End Time	End Place	Clear Time	Paid Time	Seat Time
ST	2051	4:04	WEST	4:09	10:36	BA51	11:02	6h58	5h50
	CAR		BA51	10:36	11:02	WEST			

Sign-on	4:04	51 / North / 206 / 20161311			Deadhead
		51st Ave & Pecos Rd.....	7:55		51st Ave & Baseline Rd..... 10:31
Block	2051	Vee Quiva Casino.....	8:05		51st Ave & Baseline Rd..... 10:36
		51st Ave & Baseline Rd.....	8:17		
Pull Out		51st Ave & Lower Buckeye Rd...	8:25		Travel by
West Transit Facility.....	4:24	51st Ave & Van Buren St.....	8:32		CAR
51st Ave & Baseline Rd.....	4:50	51st Ave & Thomas Rd.....	8:41		Car Pull
		51st Ave & Camelback Rd.....	8:50		51st Ave & Baseline Rd..... 10:36
		51st Ave & Glendale Ave.....	8:56		West Transit Facility..... 11:02
		51st Ave & Olive Ave.....	9:04		
		ASU West Campus.....	9:16		
		51 / North / 206 / 20161989			51 / North / 206 / 20161314
51st Ave & Baseline Rd.....	4:50				51st Ave & Baseline Rd..... 10:48
51st Ave & Lower Buckeye Rd...	4:58				51st Ave & Lower Buckeye Rd 10:56
51st Ave & Van Buren St.....	5:04	51 / South / 27 / 20160992			51st Ave & Van Buren St..... 11:03
51st Ave & Thomas Rd.....	5:12	ASU West Campus.....	9:29		51st Ave & Thomas Rd..... 11:12
51st Ave & Camelback Rd.....	5:20	51st Ave & Olive Ave.....	9:42		51st Ave & Camelback Rd..... 11:21
51st Ave & Glendale Ave.....	5:26	51st Ave & Glendale Ave.....	9:49		51st Ave & Glendale Ave..... 11:27
51st Ave & Olive Ave.....	5:33	51st Ave & Camelback Rd.....	9:56		51st Ave & Olive Ave..... 11:35
ASU West Campus.....	5:44	51st Ave & Thomas Rd.....	10:05		ASU West Campus..... 11:47
		51st Ave & Van Buren St.....	10:16		
51 / South / 28 / 20160961		51st Ave & Lower Buckeye Rd...	10:23		
ASU West Campus.....	5:56	51st Ave & Baseline Rd.....	10:31		
51st Ave & Olive Ave.....	6:09				
51st Ave & Glendale Ave.....	6:16				
51st Ave & Camelback Rd.....	6:24				
51st Ave & Thomas Rd.....	6:33				
51st Ave & Van Buren St.....	6:44				
51st Ave & Lower Buckeye Rd...	6:52				
51st Ave & Baseline Rd.....	7:01				
Vee Quiva Casino.....	7:13				
Komatke Health Center.....	7:28				
51st Ave & Pecos Rd.....	7:32				

Phoenix West

Effective: 01/22/2024

2052

Weekday

Duty Type	Block	Report Time	Start Place	Start Time	End Time	End Place	Clear Time	Paid Time	Seat Time
ST	2053	4:06	WEST	4:11	13:21	83VB	13:28	9h22	7h24
	CAR		83VB	13:21	13:28	WEST			

Sign-on	4:06	3 / East / 86 / 20162052	Travel by	CAR
4th St & La Canada Blvd..... 8:23				
Block	2053	Avondale Civic Center..... 8:37	Car Pull	
		99th Ave & Van Buren St..... 8:43	83rd Ave & Van Buren St..... 13:21	
Pull Out		83rd Ave & Van Buren St..... 8:51	West Transit Facility..... 13:28	
West Transit Facility..... 4:26		67th Ave & Van Buren St..... 8:56		
83rd Ave & Van Buren St..... 4:31		51st Ave & Van Buren St..... 9:09	67th Ave & Van Buren St..... 13:26	

		35th Ave & Van Buren St..... 9:20	51st Ave & Van Buren St..... 13:39	
3 / East / 181 / 20162036		19th Ave & Van Buren St..... 9:31	35th Ave & Van Buren St..... 13:50	
83rd Ave & Van Buren St..... 4:31		Central Ave & Van Buren St..... 9:40	19th Ave & Van Buren St..... 14:01	
	4:36	24th St & Van Buren St..... 9:54	Central Ave & Van Buren St.... 14:10	
	4:45	44th St & Van Buren St..... 10:03	24th St & Van Buren St..... 14:24	
	4:53	Galvin Pkwy & Van Buren St..... 10:10	44th St & Van Buren St..... 14:33	
	5:02	Phoenix Zoo..... 10:14	Galvin Pkwy & Van Buren St... 14:40	
	5:10		Phoenix Zoo..... 14:44	
	5:21	3 / West / 546 / 20162124		
	5:29	Phoenix Zoo..... 10:39	3 / West / 546 / 20162142	
Galvin Pkwy & Van Buren St... 5:35		Galvin Pkwy & Van Buren St..... 10:42	Phoenix Zoo..... 15:09	
		44th St & Van Buren St..... 10:50	Galvin Pkwy & Van Buren St... 15:12	
Deadhead		24th St & Van Buren St..... 11:03	44th St & Van Buren St..... 15:20	
Galvin Pkwy & Van Buren St... 5:35		2nd Ave & Van Buren St..... 11:18	24th St & Van Buren St..... 15:33	
Phoenix Zoo..... 5:40		19th Ave & Van Buren St..... 11:27	2nd Ave & Van Buren St..... 15:48	
		35th Ave & Van Buren St..... 11:37	19th Ave & Van Buren St..... 15:57	

3 / West / 546 / 20162106		51st Ave & Van Buren St..... 11:47	35th Ave & Van Buren St..... 16:07	
Phoenix Zoo..... 6:09		67th Ave & Van Buren St..... 11:56	51st Ave & Van Buren St..... 16:17	
	6:12	83rd Ave & Van Buren St..... 12:04	67th Ave & Van Buren St..... 16:26	
	6:20	99th Ave & Van Buren St..... 12:12	83rd Ave & Van Buren St..... 16:34	
	6:33	Avondale Civic Center..... 12:20	99th Ave & Van Buren St..... 16:42	
	6:48	4th St & La Canada Blvd..... 12:31	Avondale Civic Center..... 16:50	
	6:57		4th St & La Canada Blvd..... 17:01	

	7:07	3 / East / 86 / 20162070		
	7:17	4th St & La Canada Blvd..... 12:53		
	7:26	Avondale Civic Center..... 13:07		
	7:34	99th Ave & Van Buren St..... 13:13		
	7:42	83rd Ave & Van Buren St..... 13:21		
	7:50			
4th St & La Canada Blvd..... 8:01				

Phoenix West

Effective: 01/22/2024

2053

Weekday

Duty Type	Block	Report Time	Start Place	Start Time	End Time	End Place	Clear Time	Paid Time	Seat Time
ST	2054	4:07	WEST	4:12	13:40	83VB			
	CAR		83VB	13:40	13:47	WEST	13:47	9h40	7h16

Sign-on	4:07	Deadhead			Deadhead				
		83rd Ave & Van Buren St.....		8:15	Arrowhead Mall North.....			12:06	
Block	2054	83rd Ave & Van Buren St.....		8:19	Arrowhead Mall Layover.....			12:08	
Pull Out		83 / North / 183 / 20161011			Deadhead				
West Transit Facility.....	4:27	83rd Ave & Van Buren St.....		8:40	Arrowhead Mall Layover.....			12:20	
Arrowhead Mall North.....	4:54	Desert Sky TC.....		8:51	Arrowhead Mall North.....			12:22	
		83rd Ave & Camelback Rd.....		9:00					
		83rd Ave & Glendale Ave.....		9:06					
83 / South / 155 / 20161723		83rd Ave & Peoria Ave.....		9:18	83 / South / 155 / 20161760				
Arrowhead Mall North.....	4:54	83rd Ave & Thunderbird Rd.....		9:24	Arrowhead Mall North.....			12:22	
83rd Ave & Thunderbird Rd.....	5:04	Arrowhead Mall North.....		9:35	83rd Ave & Thunderbird Rd.....			12:33	
83rd Ave & Peoria Ave.....	5:10				83rd Ave & Peoria Ave.....			12:39	
83rd Ave & Glendale Ave.....	5:21				83rd Ave & Glendale Ave.....			12:51	
83rd Ave & Camelback Rd.....	5:27	Deadhead			83rd Ave & Camelback Rd.....			12:57	
Desert Sky TC.....	5:36	Arrowhead Mall North.....		9:35	Desert Sky TC.....			13:06	
83rd Ave & Van Buren St.....	5:45	Arrowhead Mall Layover.....		9:37	83rd Ave & Van Buren St.....			13:16	
Deadhead		Deadhead			Deadhead				
83rd Ave & Van Buren St.....	5:45	Arrowhead Mall Layover.....		9:50	83rd Ave & Van Buren St.....			13:16	
83rd Ave & Van Buren St.....	5:49	Arrowhead Mall North.....		9:52	83rd Ave & Van Buren St.....			13:20	
83 / North / 183 / 20161000		83 / South / 155 / 20161745			Travel by			CAR	
83rd Ave & Van Buren St.....	6:11	Arrowhead Mall North.....		9:52	Car Pull				
Desert Sky TC.....	6:21	83rd Ave & Thunderbird Rd.....		10:03	83rd Ave & Van Buren St.....			13:40	
83rd Ave & Camelback Rd.....	6:30	83rd Ave & Peoria Ave.....		10:09	West Transit Facility.....			13:47	
83rd Ave & Glendale Ave.....	6:36	83rd Ave & Glendale Ave.....		10:21					
83rd Ave & Peoria Ave.....	6:47	83rd Ave & Camelback Rd.....		10:27					
83rd Ave & Thunderbird Rd.....	6:53	Desert Sky TC.....		10:36	83 / North / 183 / 20161031				
Arrowhead Mall North.....	7:03	83rd Ave & Van Buren St.....		10:45	83rd Ave & Van Buren St.....			13:40	
Deadhead		Deadhead			Desert Sky TC.....			13:51	
Arrowhead Mall North.....	7:03	83rd Ave & Van Buren St.....		10:45	83rd Ave & Camelback Rd.....			14:01	
Arrowhead Mall Layover.....	7:05	83rd Ave & Van Buren St.....		10:49	83rd Ave & Glendale Ave.....			14:07	
Deadhead		83 / North / 183 / 20161021			83rd Ave & Peoria Ave.....			14:19	
Arrowhead Mall Layover.....	7:20	83rd Ave & Van Buren St.....		11:10	83rd Ave & Thunderbird Rd.....			14:25	
Arrowhead Mall North.....	7:22	Desert Sky TC.....		11:21	Arrowhead Mall North.....			14:37	
		83rd Ave & Camelback Rd.....		11:31					
83 / South / 155 / 20161736		83rd Ave & Glendale Ave.....		11:37					
Arrowhead Mall North.....	7:22	83rd Ave & Peoria Ave.....		11:49					
83rd Ave & Thunderbird Rd.....	7:33	83rd Ave & Thunderbird Rd.....		11:55					
83rd Ave & Peoria Ave.....	7:39	Arrowhead Mall North.....		12:06					
83rd Ave & Glendale Ave.....	7:51								
83rd Ave & Camelback Rd.....	7:57								
Desert Sky TC.....	8:06								
83rd Ave & Van Buren St.....	8:15								

Phoenix West

Effective: 01/22/2024

2054

Weekday

Duty Type	Block	Report Time	Start Place	Start Time	End Time	End Place	Clear Time	Paid Time	Seat Time
ST	2055	4:11	WEST	4:16	12:30	BA51			
	CAR		BA51	12:30	12:56	WEST	12:56	8h45	7h00

Sign-on	4:11	51 / South / 27 / 20160982		51 / South / 27 / 20161001
		ASU West Campus.....	8:29	ASU West Campus.....
Block	2055	51st Ave & Olive Ave.....	8:42	51st Ave & Olive Ave.....
		51st Ave & Glendale Ave.....	8:49	51st Ave & Glendale Ave.....
Pull Out		51st Ave & Camelback Rd.....	8:56	51st Ave & Camelback Rd.....
West Transit Facility.....	4:31	51st Ave & Thomas Rd.....	9:06	51st Ave & Thomas Rd.....
ASU West Campus.....	5:04	51st Ave & Van Buren St.....	9:16	51st Ave & Van Buren St.....
		51st Ave & Lower Buckeye Rd...	9:23	51st Ave & Lower Buckeye Rd...
		51st Ave & Baseline Rd.....	9:32	51st Ave & Baseline Rd.....
51 / South / 28 / 20160957				
ASU West Campus.....	5:04			
51st Ave & Olive Ave.....	5:15	Deadhead		Travel by
51st Ave & Glendale Ave.....	5:22	51st Ave & Baseline Rd.....	9:32	CAR
51st Ave & Camelback Rd.....	5:28	51st Ave & Baseline Rd.....	9:37	
51st Ave & Thomas Rd.....	5:34			Car Pull
51st Ave & Van Buren St.....	5:44	51 / North / 206 / 20161315		51st Ave & Baseline Rd.....
51st Ave & Lower Buckeye Rd...	5:51	51st Ave & Baseline Rd.....	9:48	West Transit Facility.....
51st Ave & Baseline Rd.....	6:00	51st Ave & Lower Buckeye Rd...	9:56	51 / North / 206 / 20161318
Vee Quiva Casino.....	6:12	51st Ave & Van Buren St.....	10:03	51st Ave & Baseline Rd.....
Komatke Health Center.....	6:27	51st Ave & Thomas Rd.....	10:12	51st Ave & Lower Buckeye Rd
51st Ave & Pecos Rd.....	6:31	51st Ave & Camelback Rd.....	10:21	51st Ave & Van Buren St.....
		51st Ave & Glendale Ave.....	10:27	51st Ave & Thomas Rd.....
		51st Ave & Olive Ave.....	10:35	51st Ave & Camelback Rd.....
51 / North / 206 / 20161310		ASU West Campus.....	10:47	51st Ave & Glendale Ave.....
51st Ave & Pecos Rd.....	6:52			51st Ave & Olive Ave.....
Vee Quiva Casino.....	7:02			ASU West Campus.....
51st Ave & Baseline Rd.....	7:14			
51st Ave & Lower Buckeye Rd...	7:23			
51st Ave & Van Buren St.....	7:31			
51st Ave & Thomas Rd.....	7:40			
51st Ave & Camelback Rd.....	7:48			
51st Ave & Glendale Ave.....	7:56			
51st Ave & Olive Ave.....	8:04			
ASU West Campus.....	8:16			

Phoenix West

Effective: 01/22/2024

2055

Weekday

Duty Type	Block	Report Time	Start Place	Start Time	End Time	End Place	Clear Time	Paid Time	Seat Time
ST	2056 CAR	4:13	WEST 44IN	4:18 14:11	14:11 14:48	44IN WEST	14:48	10h35	8h46

Sign-on	4:13	Deadhead	Deadhead
		Granite Reef Rd & Indian Sch	8:49 Granite Reef Rd & Indian Sch
Block	2056	Pima Rd & Chaparral Rd.....	8:53 Pima Rd & Chaparral Rd.....
<hr/>			
Pull Out		Deadhead	Deadhead
West Transit Facility.....	4:33	Pima Rd & Chaparral Rd.....	9:21 Pima Rd & Chaparral Rd.....
Pima Park.....	5:23	Granite Reef Rd & Indian Sch	9:25 Granite Reef Rd & Indian Sch
<hr/>			
29 / West / 199 / 20161506		41 / West / 724 / 20161837	41 / West / 141 / 20161804
Pima Park.....	5:23	Granite Reef Rd & Indian Sch	9:25 Granite Reef Rd & Indian Sch
Scottsdale Rd & Thomas Rd.....	5:27	Scottsdale Rd & Indian School	9:30 Scottsdale Rd & Indian School
56th St & Thomas Rd.....	5:32	56th St & Indian School Rd.....	9:38 56th St & Indian School Rd.....
44th St & Thomas Rd.....	5:39	44th St & Indian School Rd.....	9:42 44th St & Indian School Rd.....
24th St & Thomas Rd.....	5:47	32nd St & Indian School Rd.....	9:49
Central Ave & Thomas Rd.....	5:58	24th St & Indian School Rd.....	9:56
19th Ave & Thomas Rd.....	6:07	Central Ave & Indian School Rd.	10:10
35th Ave & Thomas Rd.....	6:18	Central Ave & Indian School Rd.	10:14
51st Ave & Thomas Rd.....	6:26	19th Ave & Indian School Rd.....	10:23
67th Ave & Thomas Rd.....	6:33	43rd Ave & Indian School Rd.....	10:39
Desert Sky TC.....	6:41	59th Ave & Indian School Rd.....	10:49
Desert Sky TC.....	6:44	83rd Ave & Indian School Rd.....	11:02
93rd Ave & Thomas Rd.....	6:50	107th Ave & Indian School Rd.	11:12
<hr/>			
Deadhead		Deadhead	
93rd Ave & Thomas Rd.....	6:50	107th Ave & Indian School Rd.	11:12
83rd Ave & Indian School Rd..	6:57	107th Ave & Indian School Rd.	11:18
<hr/>			
41 / East / 172 / 20161868		41 / East / 172 / 20161951	
83rd Ave & Indian School Rd..	7:12	107th Ave & Indian School Rd.	11:38
59th Ave & Indian School Rd.....	7:26	83rd Ave & Indian School Rd.....	11:47
43rd Ave & Indian School Rd.....	7:35	59th Ave & Indian School Rd.....	11:58
19th Ave & Indian School Rd.....	7:52	43rd Ave & Indian School Rd.....	12:07
Central Ave & Indian School Rd.	8:00	19th Ave & Indian School Rd.....	12:22
Central Ave & Indian School Rd.	8:04	Central Ave & Indian School Rd.	12:30
24th St & Indian School Rd.....	8:18	Central Ave & Indian School Rd.	12:34
32nd St & Indian School Rd.....	8:23	24th St & Indian School Rd.....	12:48
44th St & Indian School Rd.....	8:29	32nd St & Indian School Rd.....	12:53
56th St & Indian School Rd.....	8:35	44th St & Indian School Rd.....	12:59
Scottsdale Rd & Indian School	8:41	56th St & Indian School Rd.....	13:05
Granite Reef Rd & Indian Sch	8:49	Scottsdale Rd & Indian School	13:11
<hr/>			
		Granite Reef Rd & Indian Sch	13:19
<hr/>			
			Travel by CAR
<hr/>			
		Car Pull	
		44th St & Indian School Rd.....	14:11
		West Transit Facility.....	14:48
<hr/>			
		32nd St & Indian School Rd....	14:18
		24th St & Indian School Rd.....	14:25
		Central Ave & Indian School R	14:40
		Central Ave & Indian School R	14:44
		19th Ave & Indian School Rd...	14:53
		43rd Ave & Indian School Rd..	15:10
		59th Ave & Indian School Rd...	15:20
		83rd Ave & Indian School Rd..	15:33
<hr/>			
		17 / East / 132 / 20160987	
		83rd Ave & McDowell Rd.....	15:53
		67th Ave & McDowell Rd.....	16:00
		43rd Ave & McDowell Rd.....	16:14
		19th Ave & McDowell Rd.....	16:30
		Central Ave & McDowell Rd...	16:40
		24th St & McDowell Rd.....	16:55
		44th St & McDowell Rd.....	17:07
		52nd St & McDowell Rd.....	17:11
		Scottsdale Rd & McDowell Rd	17:20
		Pima Rd & McDowell Rd.....	17:28

Phoenix West

Effective: 01/22/2024

2056
Weekday

Duty Type	Block	Report Time	Start Place	Start Time	End Time	End Place	Clear Time	Paid Time	Seat Time
ST	2057 CAR	4:15	WEST 107I-E	4:20 12:48	12:48 13:05	107I-E WEST	13:05	8h50	7h22

Sign-on	4:15	Deadhead	41 / West / 724 / 20161836
		107th Ave & Indian School Rd.	8:11 Granite Reef Rd & Indian Sch
Block	2057	107th Ave & Indian School Rd.	8:17

Pull Out		41 / East / 172 / 20161955	41 / West / 724 / 20161836
West Transit Facility.....	4:35	107th Ave & Indian School Rd.	8:38
Thomas Rd at Desert Sky TC..	4:49	83rd Ave & Indian School Rd.....	8:47

29 / East / 257 / 20161381		59th Ave & Indian School Rd.....	8:58
Thomas Rd at Desert Sky TC..	4:49	43rd Ave & Indian School Rd.....	9:07
67th Ave & Thomas Rd.....	4:54	19th Ave & Indian School Rd.....	9:22
51st Ave & Thomas Rd.....	5:02	Central Ave & Indian School Rd.	9:30
35th Ave & Thomas Rd.....	5:09	Central Ave & Indian School Rd.	9:34
19th Ave & Thomas Rd.....	5:19	24th St & Indian School Rd.....	9:48
Central Ave & Thomas Rd.....	5:29	32nd St & Indian School Rd.....	9:53
24th St & Thomas Rd.....	5:39	44th St & Indian School Rd.....	9:59
44th St & Thomas Rd.....	5:48	56th St & Indian School Rd.....	10:05
56th St & Thomas Rd.....	5:53	Scottsdale Rd & Indian School	10:11

Deadhead		Deadhead	Deadhead
56th St & Thomas Rd.....	5:53	Granite Reef Rd & Indian Sch	10:19
Granite Reef Rd & Indian Sch	6:08	Pima Rd & Chaparral Rd.....	10:23

41 / West / 724 / 20161848		Deadhead	Travel by
Granite Reef Rd & Indian Sch	6:25	Pima Rd & Chaparral Rd.....	10:53
Scottsdale Rd & Indian School	6:30	Granite Reef Rd & Indian Sch	10:57
56th St & Indian School Rd.....	6:38	-----	
44th St & Indian School Rd.....	6:42	41 / East / 172 / 20161947	
32nd St & Indian School Rd.....	6:49	107th Ave & Indian School Rd.	13:24
24th St & Indian School Rd.....	6:56	83rd Ave & Indian School Rd..	13:33
Central Ave & Indian School Rd.	7:10	59th Ave & Indian School Rd...	13:45
Central Ave & Indian School Rd.	7:14	43rd Ave & Indian School Rd..	13:54
19th Ave & Indian School Rd.....	7:22	19th Ave & Indian School Rd...	14:10
43rd Ave & Indian School Rd.....	7:38	Central Ave & Indian School R	14:20
59th Ave & Indian School Rd.....	7:48	Central Ave & Indian School R	14:24
83rd Ave & Indian School Rd.....	8:01	24th St & Indian School Rd.....	14:38
107th Ave & Indian School Rd.	8:11	32nd St & Indian School Rd....	14:43

		44th St & Indian School Rd.....	14:49
		56th St & Indian School Rd.....	14:55
		Scottsdale Rd & Indian Schoo	15:01
		Granite Reef Rd & Indian Sch	15:09

Phoenix West

Effective: 01/22/2024

2057
Weekday

Duty Type	Block	Report Time	Start Place	Start Time	End Time	End Place	Clear Time	Paid Time	Seat Time
ST	2058	4:18	WEST	4:23	13:04	83VB	13:11	8h53	7h21
	CAR		83VB	13:04	13:11	WEST			

Sign-on	4:18	3 / East / 86 / 20162057					Travel by		CAR
		4th St & La Canada Blvd.....		9:23					
Block	2058	Avondale Civic Center.....		9:37			Car Pull		
		99th Ave & Van Buren St.....		9:43			83rd Ave & Van Buren St.....		13:04
Pull Out		83rd Ave & Van Buren St.....		9:51			West Transit Facility.....		13:11
West Transit Facility.....	4:38	67th Ave & Van Buren St.....		9:56					
4th St & La Canada Blvd.....	5:03	51st Ave & Van Buren St.....		10:09			99th Ave & Van Buren St.....		13:12
		35th Ave & Van Buren St.....		10:20			Avondale Civic Center.....		13:20
3 / East / 86 / 20162038		19th Ave & Van Buren St.....		10:31			4th St & La Canada Blvd.....		13:31
4th St & La Canada Blvd.....	5:03	Central Ave & Van Buren St.....		10:40					
Avondale Civic Center.....	5:17	24th St & Van Buren St.....		10:54			3 / East / 86 / 20162074		
99th Ave & Van Buren St.....	5:23	44th St & Van Buren St.....		11:03			4th St & La Canada Blvd.....		13:53
83rd Ave & Van Buren St.....	5:30	Galvin Pkwy & Van Buren St.....		11:10			Avondale Civic Center.....		14:07
67th Ave & Van Buren St.....	5:35	Phoenix Zoo.....		11:14			99th Ave & Van Buren St.....		14:13
51st Ave & Van Buren St.....	5:44						83rd Ave & Van Buren St.....		14:21
35th Ave & Van Buren St.....	5:52	3 / West / 546 / 20162129					67th Ave & Van Buren St.....		14:26
19th Ave & Van Buren St.....	6:01	Phoenix Zoo.....		11:39			51st Ave & Van Buren St.....		14:39
Central Ave & Van Buren St.....	6:10	Galvin Pkwy & Van Buren St.....		11:42			35th Ave & Van Buren St.....		14:50
24th St & Van Buren St.....	6:24	44th St & Van Buren St.....		11:50			19th Ave & Van Buren St.....		15:01
44th St & Van Buren St.....	6:33	24th St & Van Buren St.....		12:03			Central Ave & Van Buren St....		15:10
Galvin Pkwy & Van Buren St.....	6:40	2nd Ave & Van Buren St.....		12:18			24th St & Van Buren St.....		15:24
Phoenix Zoo.....	6:44	19th Ave & Van Buren St.....		12:27			44th St & Van Buren St.....		15:33
		35th Ave & Van Buren St.....		12:37			Galvin Pkwy & Van Buren St...		15:40
3 / West / 546 / 20162110		51st Ave & Van Buren St.....		12:47			Phoenix Zoo.....		15:44
Phoenix Zoo.....	7:09	67th Ave & Van Buren St.....		12:56					
Galvin Pkwy & Van Buren St.....	7:12	83rd Ave & Van Buren St.....		13:04					
44th St & Van Buren St.....	7:20								
24th St & Van Buren St.....	7:33								
2nd Ave & Van Buren St.....	7:48								
19th Ave & Van Buren St.....	7:57								
35th Ave & Van Buren St.....	8:07								
51st Ave & Van Buren St.....	8:17								
67th Ave & Van Buren St.....	8:26								
83rd Ave & Van Buren St.....	8:34								
99th Ave & Van Buren St.....	8:42								
Avondale Civic Center.....	8:50								
4th St & La Canada Blvd.....	9:01								

Phoenix West

Effective: 01/22/2024

2058

Weekday

Duty Type	Block	Report Time	Start Place	Start Time	End Time	End Place	Clear Time	Paid Time	Seat Time
ST	2059	4:22	WEST	4:27	12:34	51HD			
	CAR		51HD	12:34	12:45	WEST	12:45	8h23	6h58

Sign-on	4:22	59 / South / 220 / 20161432		59 / South / 220 / 20161441
		59th Ave & Beardsley Rd.....	8:19	59th Ave & Beardsley Rd..... 11:18
Block	2059	59th Ave & Bell Rd.....	8:25	59th Ave & Bell Rd..... 11:25
		59th Ave & Thunderbird Rd.....	8:32	59th Ave & Thunderbird Rd..... 11:32
Pull Out		59th Ave & Olive Ave.....	8:45	59th Ave & Olive Ave..... 11:45
West Transit Facility.....	4:42	59th Ave & Glendale Ave.....	8:56	59th Ave & Glendale Ave..... 11:56
59th Ave & Beardsley Rd.....	5:20	59th Ave & Camelback Rd.....	9:06	59th Ave & Camelback Rd..... 12:06
		59th Ave & Thomas Rd.....	9:16	59th Ave & Thomas Rd..... 12:16
59 / South / 220 / 20161424		59th Ave & Van Buren St.....	9:27	59th Ave & Van Buren St..... 12:27
59th Ave & Beardsley Rd.....	5:20	59th Ave & Buckeye Rd.....	9:30	59th Ave & Buckeye Rd..... 12:30
59th Ave & Bell Rd.....	5:25			
59th Ave & Thunderbird Rd.....	5:31	Deadhead		Deadhead
59th Ave & Olive Ave.....	5:44	59th Ave & Buckeye Rd.....	9:30	59th Ave & Buckeye Rd..... 12:30
59th Ave & Glendale Ave.....	5:55	51st Ave & Hadley St.....	9:34	51st Ave & Hadley St..... 12:34
59th Ave & Camelback Rd.....	6:06			
59th Ave & Thomas Rd.....	6:15	Deadhead		Travel by CAR
59th Ave & Van Buren St.....	6:25	51st Ave & Hadley St.....	9:50	
59th Ave & Buckeye Rd.....	6:28	59th Ave & Buckeye Rd.....	9:54	Car Pull
				51st Ave & Hadley St..... 12:34
Deadhead		59 / North / 830 / 20161479		West Transit Facility..... 12:45
59th Ave & Buckeye Rd.....	6:28	59th Ave & Buckeye Rd.....	9:54	
51st Ave & Hadley St.....	6:32	59th Ave & Van Buren St.....	9:56	59 / North / 830 / 20161491
		59th Ave & Thomas Rd.....	10:04	59th Ave & Buckeye Rd..... 12:52
Deadhead		59th Ave & Camelback Rd.....	10:13	59th Ave & Van Buren St..... 12:54
51st Ave & Hadley St.....	6:48	59th Ave & Glendale Ave.....	10:24	59th Ave & Thomas Rd..... 13:03
59th Ave & Buckeye Rd.....	6:52	59th Ave & Olive Ave.....	10:34	59th Ave & Camelback Rd..... 13:13
		59th Ave & Thunderbird Rd.....	10:45	59th Ave & Glendale Ave..... 13:24
59 / North / 830 / 20161472		59th Ave & Bell Rd.....	10:54	59th Ave & Olive Ave..... 13:35
59th Ave & Buckeye Rd.....	6:52	59th Ave & Beardsley Rd.....	11:03	59th Ave & Thunderbird Rd..... 13:47
59th Ave & Van Buren St.....	6:54			59th Ave & Bell Rd..... 13:56
59th Ave & Thomas Rd.....	7:04			59th Ave & Beardsley Rd..... 14:05
59th Ave & Camelback Rd.....	7:13			
59th Ave & Glendale Ave.....	7:22			
59th Ave & Olive Ave.....	7:32			
59th Ave & Thunderbird Rd.....	7:43			
59th Ave & Bell Rd.....	7:52			
59th Ave & Beardsley Rd.....	8:01			

Phoenix West

Effective: 01/22/2024

2059

Weekday

Duty Type	Block	Report Time	Start Place	Start Time	End Time	End Place	Clear Time	Paid Time	Seat Time
ST	2060	4:26	WEST	4:31	14:43	DSTC			
	CAR		DSTC	14:43	14:57	WEST	14:57	10h31	9h03

Sign-on	4:26	MARY / ClkWs / 786 / 20162025				MARY / ClkWs / 786 / 20162028			
Desert Sky TC				9:00		Desert Sky TC			13:00
Block	2060	59th Ave & Thomas Rd.....		9:11		59th Ave & Thomas Rd.....			13:11
		67th Ave & Campbell Ave.....		9:22		67th Ave & Campbell Ave.....			13:22
Pull Out		51st Ave & Indian School Rd.....		9:33		51st Ave & Indian School Rd.....			13:33
West Transit Facility	4:46	55th Ave & Encanto Blvd.....		9:45		55th Ave & Encanto Blvd.....			13:45
Desert Sky TC	5:00	63rd Ave & Fillmore St.....		9:54		63rd Ave & Fillmore St.....			13:54
		75th Ave & Encanto Blvd.....		10:08		75th Ave & Encanto Blvd.....			14:08
MARY / ClkWs / 786 / 20162019		83rd Ave & Osborn Rd.....		10:25		83rd Ave & Osborn Rd.....			14:25
Desert Sky TC	5:00	Desert Sky TC		10:43		Desert Sky TC			14:43
59th Ave & Thomas Rd.....	5:11								
67th Ave & Campbell Ave.....	5:22	MARY / ClkWs / 786 / 20162026				Travel by			CAR
51st Ave & Indian School Rd.....	5:33	Desert Sky TC		11:00		Car Pull			
55th Ave & Encanto Blvd.....	5:45	59th Ave & Thomas Rd.....		11:11		Desert Sky TC			14:43
63rd Ave & Fillmore St.....	5:54	67th Ave & Campbell Ave.....		11:22		West Transit Facility			14:57
75th Ave & Encanto Blvd.....	6:08	51st Ave & Indian School Rd.....		11:33					
83rd Ave & Osborn Rd.....	6:25	55th Ave & Encanto Blvd.....		11:45					
Desert Sky TC	6:43	63rd Ave & Fillmore St.....		11:54		MARY / ClkWs / 786 / 20162031			
		75th Ave & Encanto Blvd.....		12:08		<i>Desert Sky TC</i>			15:00
MARY / ClkWs / 786 / 20162023		83rd Ave & Osborn Rd.....		12:25		<i>59th Ave & Thomas Rd</i>			15:11
Desert Sky TC	7:00	Desert Sky TC		12:43		<i>67th Ave & Campbell Ave</i>			15:22
59th Ave & Thomas Rd.....	7:11					<i>51st Ave & Indian School Rd</i> ..			15:33
67th Ave & Campbell Ave.....	7:22					<i>55th Ave & Encanto Blvd</i>			15:45
51st Ave & Indian School Rd.....	7:33					<i>63rd Ave & Fillmore St</i>			15:54
55th Ave & Encanto Blvd.....	7:45					<i>75th Ave & Encanto Blvd</i>			16:08
63rd Ave & Fillmore St.....	7:54					<i>83rd Ave & Osborn Rd</i>			16:25
75th Ave & Encanto Blvd.....	8:08					<i>Desert Sky TC</i>			16:43
83rd Ave & Osborn Rd.....	8:25								
Desert Sky TC	8:43								

Phoenix West

Effective: 01/22/2024

2060
Weekday

Duty Type	Block	Report Time	Start Place	Start Time	End Time	End Place	Clear Time	Paid Time	Seat Time
ST	2062	4:27	WEST	4:32	12:28	43LB			
	CAR		43LB	12:28	12:49	WEST	12:49	8h22	6h31

Sign-on	4:27	Deadhead			43 / South / 207 / 20161159
		43rd Ave & Union Hills Dr.....	7:45	43rd Ave & Union Hills Dr.....	11:21
Block	2062	43rd Ave & Union Hills Dr.....	7:52	43rd Ave & Thunderbird Rd.....	11:28
				43rd Ave & Dunlap Ave.....	11:38
Pull Out		43 / South / 207 / 20161151		43rd Ave & Glendale Ave.....	11:46
West Transit Facility.....	4:47	43rd Ave & Union Hills Dr.....	8:20	43rd Ave & Camelback Rd.....	11:55
43rd Ave & Union Hills Dr.....	5:22	43rd Ave & Thunderbird Rd.....	8:28	43rd Ave & Thomas Rd.....	12:04
		43rd Ave & Dunlap Ave.....	8:38	43rd Ave & Van Buren St.....	12:15
43 / South / 207 / 20161142		43rd Ave & Glendale Ave.....	8:46	43rd Ave & Lower Buckeye Rd	12:22
43rd Ave & Union Hills Dr.....	5:22	43rd Ave & Camelback Rd.....	8:55		
43rd Ave & Thunderbird Rd.....	5:29	43rd Ave & Thomas Rd.....	9:04	Deadhead	
43rd Ave & Dunlap Ave.....	5:39	43rd Ave & Van Buren St.....	9:15	43rd Ave & Lower Buckeye Rd	12:22
43rd Ave & Glendale Ave.....	5:47	43rd Ave & Lower Buckeye Rd	9:22	43rd Ave & Lower Buckeye Rd	12:28
43rd Ave & Camelback Rd.....	5:55				
43rd Ave & Thomas Rd.....	6:03	Deadhead		Travel by	CAR
43rd Ave & Van Buren St.....	6:12	43rd Ave & Lower Buckeye Rd	9:22	Car Pull	
43rd Ave & Lower Buckeye Rd	6:19	43rd Ave & Lower Buckeye Rd	9:28	43rd Ave & Lower Buckeye Rd	12:28
				West Transit Facility.....	12:49
Deadhead		43 / North / 182 / 20161070			
43rd Ave & Lower Buckeye Rd	6:19	43rd Ave & Lower Buckeye Rd	9:43	43rd Ave & Van Buren St.....	9:50
43rd Ave & Lower Buckeye Rd	6:25	43rd Ave & Thomas Rd.....	10:00	43rd Ave & Thomas Rd.....	12:42
		43rd Ave & Camelback Rd.....	10:10	43rd Ave & Van Buren St.....	12:49
43 / North / 182 / 20161066		43rd Ave & Glendale Ave.....	10:19	43rd Ave & Thomas Rd.....	12:59
43rd Ave & Lower Buckeye Rd	6:44	43rd Ave & Dunlap Ave.....	10:27	43rd Ave & Camelback Rd.....	13:10
43rd Ave & Van Buren St.....	6:51	43rd Ave & Thunderbird Rd.....	10:36	43rd Ave & Glendale Ave.....	13:19
43rd Ave & Thomas Rd.....	7:00	43rd Ave & Union Hills Dr.....	10:45	43rd Ave & Dunlap Ave.....	13:28
43rd Ave & Camelback Rd.....	7:10			43rd Ave & Thunderbird Rd.....	13:37
43rd Ave & Glendale Ave.....	7:19	Deadhead		43rd Ave & Union Hills Dr.....	13:46
43rd Ave & Dunlap Ave.....	7:27				
43rd Ave & Thunderbird Rd.....	7:36	43rd Ave & Union Hills Dr.....	10:45		
43rd Ave & Union Hills Dr.....	7:45	43rd Ave & Union Hills Dr.....	10:52		

Phoenix West

Effective: 01/22/2024

2061
Weekday

Duty Type	Block	Report Time	Start Place	Start Time	End Time	End Place	Clear Time	Paid Time	Seat Time
ST	2063	4:27	WEST	4:32	14:21	83MC	14:33	10h06	7h50
	CAR		83MC	14:21	14:33	WEST			

Sign-on	4:27	Deadhead			Travel by	CAR
		Pebble Creek Pkwy & McDow		8:51		
Block	2063	Pebble Creek Pkwy & McDow		8:58	Car Pull	
					83rd Ave & McDowell Rd.....	14:21
					West Transit Facility.....	14:33
Pull Out		17 / East / 132 / 20160998				
West Transit Facility.....	4:47	Pebble Creek Pkwy & McDow		9:45		
99th Ave & McDowell Rd.....	4:57	Litchfield Rd & McDowell Rd.....		9:52	99th Ave & McDowell Rd.....	14:29
				10:07	Litchfield Rd & McDowell Rd...	14:44
		17 / East / 132 / 20161634			Pebble Creek Pkwy & McDow	14:51
99th Ave & McDowell Rd.....	4:57	83rd Ave & McDowell Rd.....		10:15		
		67th Ave & McDowell Rd.....		10:22		
83rd Ave & McDowell Rd.....	5:05	43rd Ave & McDowell Rd.....		10:34	17 / East / 132 / 20160971	
67th Ave & McDowell Rd.....	5:12	19th Ave & McDowell Rd.....		10:50	Pebble Creek Pkwy & McDow	15:43
43rd Ave & McDowell Rd.....	5:23	Central Ave & McDowell Rd.....		11:00	Litchfield Rd & McDowell Rd...	15:50
19th Ave & McDowell Rd.....	5:37	24th St & McDowell Rd.....		11:15	99th Ave & McDowell Rd.....	16:05
Central Ave & McDowell Rd.....	5:45	44th St & McDowell Rd.....		11:27	83rd Ave & McDowell Rd.....	16:13
24th St & McDowell Rd.....	5:57	52nd St & McDowell Rd.....		11:31	67th Ave & McDowell Rd.....	16:20
44th St & McDowell Rd.....	6:09	Scottsdale Rd & McDowell Rd...		11:39	43rd Ave & McDowell Rd.....	16:34
52nd St & McDowell Rd.....	6:13	Pima Rd & McDowell Rd.....		11:47	19th Ave & McDowell Rd.....	16:50
Scottsdale Rd & McDowell Rd...	6:22				Central Ave & McDowell Rd....	17:00
Pima Rd & McDowell Rd.....	6:30	Deadhead			24th St & McDowell Rd.....	17:15
		Pima Rd & McDowell Rd.....		11:47	44th St & McDowell Rd.....	17:27
Deadhead		Pima Rd & McDowell Rd.....		11:54	52nd St & McDowell Rd.....	17:31
Pima Rd & McDowell Rd.....	6:30				Scottsdale Rd & McDowell Rd	17:40
Pima Rd & McDowell Rd.....	6:37	17 / West / 127 / 20161577			Pima Rd & McDowell Rd.....	17:48
		Pima Rd & McDowell Rd.....		12:50		
		Scottsdale Rd & McDowell Rd....		12:57		
17 / West / 127 / 20161637		52nd St & McDowell Rd.....		13:05		
Pima Rd & McDowell Rd.....	6:50	44th St & McDowell Rd.....		13:09		
Scottsdale Rd & McDowell Rd....	6:57	24th St & McDowell Rd.....		13:24		
52nd St & McDowell Rd.....	7:05	Central Ave & McDowell Rd.....		13:37		
44th St & McDowell Rd.....	7:09	19th Ave & McDowell Rd.....		13:45		
24th St & McDowell Rd.....	7:24	43rd Ave & McDowell Rd.....		14:02		
Central Ave & McDowell Rd.....	7:37	67th Ave & McDowell Rd.....		14:14		
19th Ave & McDowell Rd.....	7:45	83rd Ave & McDowell Rd.....		14:21		
43rd Ave & McDowell Rd.....	8:02					
67th Ave & McDowell Rd.....	8:14					
83rd Ave & McDowell Rd.....	8:21					
99th Ave & McDowell Rd.....	8:29					
Litchfield Rd & McDowell Rd.....	8:44					
Pebble Creek Pkwy & McDow	8:51					

Phoenix West

Effective: 01/22/2024

2062

Weekday

Duty Type	Block	Report Time	Start Place	Start Time	End Time	End Place	Clear Time	Paid Time	Seat Time
ST	2065	4:28	WEST	4:33	14:36	75BU			
	CAR		75BU	14:36	14:46	WEST	14:46	10h18	8h02

Sign-on	4:28	Deadhead			Deadhead				
		75th Ave & Buckeye Rd.....		8:29	75th Ave & Buckeye Rd.....			12:28	
Block	2065	75th Ave & Buckeye Rd.....		8:33	75th Ave & Buckeye Rd.....			12:32	
Pull Out		13 / East / 36 / 20161660			13 / East / 36 / 20161668				
West Transit Facility.....	4:48	75th Ave & Buckeye Rd.....		8:56	75th Ave & Buckeye Rd.....			12:52	
75th Ave & Buckeye Rd.....	4:58	59th Ave & Buckeye Rd.....		9:00	59th Ave & Buckeye Rd.....			12:57	
		43rd Ave & Buckeye Rd.....		9:06	43rd Ave & Buckeye Rd.....			13:03	
13 / East / 36 / 20161650		19th Ave & Buckeye Rd.....		9:16	19th Ave & Buckeye Rd.....			13:14	
75th Ave & Buckeye Rd.....	4:58	Central Ave & Buckeye Rd.....		9:23	Central Ave & Buckeye Rd.....			13:21	
59th Ave & Buckeye Rd.....	5:03	16th St & Buckeye Rd.....		9:29	16th St & Buckeye Rd.....			13:28	
43rd Ave & Buckeye Rd.....	5:08	Sky Harbor West.....		9:37	Sky Harbor West.....			13:37	
19th Ave & Buckeye Rd.....	5:18								
Central Ave & Buckeye Rd.....	5:24	13 / West / 120 / 20161356			13 / West / 120 / 20161304				
16th St & Buckeye Rd.....	5:30	Sky Harbor West.....		9:43	Sky Harbor West.....			13:43	
Sky Harbor West.....	5:37	16th St & Buckeye Rd.....		9:51	16th St & Buckeye Rd.....			13:51	
		Central Ave & Buckeye Rd.....		9:57	Central Ave & Buckeye Rd.....			13:58	
13 / West / 120 / 20161371		19th Ave & Buckeye Rd.....		10:04	19th Ave & Buckeye Rd.....			14:05	
Sky Harbor West.....	5:43	43rd Ave & Buckeye Rd.....		10:15	43rd Ave & Buckeye Rd.....			14:18	
16th St & Buckeye Rd.....	5:51	59th Ave & Buckeye Rd.....		10:21	59th Ave & Buckeye Rd.....			14:25	
Central Ave & Buckeye Rd.....	5:57	75th Ave & Buckeye Rd.....		10:28	75th Ave & Buckeye Rd.....			14:32	
19th Ave & Buckeye Rd.....	6:04								
43rd Ave & Buckeye Rd.....	6:15	Deadhead			Deadhead				
59th Ave & Buckeye Rd.....	6:22	75th Ave & Buckeye Rd.....		10:28	75th Ave & Buckeye Rd.....			14:32	
75th Ave & Buckeye Rd.....	6:29	75th Ave & Buckeye Rd.....		10:32	75th Ave & Buckeye Rd.....			14:36	
Deadhead		13 / East / 36 / 20161664			Travel by			CAR	
75th Ave & Buckeye Rd.....	6:29	75th Ave & Buckeye Rd.....		10:56	Car Pull				
75th Ave & Buckeye Rd.....	6:33	59th Ave & Buckeye Rd.....		11:00	75th Ave & Buckeye Rd.....			14:36	
		43rd Ave & Buckeye Rd.....		11:06	West Transit Facility.....			14:46	
13 / East / 36 / 20161655		19th Ave & Buckeye Rd.....		11:16					
75th Ave & Buckeye Rd.....	6:52	Central Ave & Buckeye Rd.....		11:23	13 / East / 36 / 20161673				
59th Ave & Buckeye Rd.....	6:58	16th St & Buckeye Rd.....		11:29	75th Ave & Buckeye Rd.....			14:52	
43rd Ave & Buckeye Rd.....	7:05	Sky Harbor West.....		11:37	59th Ave & Buckeye Rd.....			14:57	
19th Ave & Buckeye Rd.....	7:15				43rd Ave & Buckeye Rd.....			15:03	
Central Ave & Buckeye Rd.....	7:22	13 / West / 120 / 20161342			19th Ave & Buckeye Rd.....			15:14	
16th St & Buckeye Rd.....	7:28	Sky Harbor West.....		11:43	Central Ave & Buckeye Rd.....			15:21	
Sky Harbor West.....	7:37	16th St & Buckeye Rd.....		11:51	16th St & Buckeye Rd.....			15:28	
		Central Ave & Buckeye Rd.....		11:57	Sky Harbor West.....			15:37	
13 / West / 120 / 20161360		19th Ave & Buckeye Rd.....		12:04					
Sky Harbor West.....	7:43	43rd Ave & Buckeye Rd.....		12:15					
16th St & Buckeye Rd.....	7:51	59th Ave & Buckeye Rd.....		12:21					
Central Ave & Buckeye Rd.....	7:57	75th Ave & Buckeye Rd.....		12:28					
19th Ave & Buckeye Rd.....	8:04								
43rd Ave & Buckeye Rd.....	8:15								
59th Ave & Buckeye Rd.....	8:22								
75th Ave & Buckeye Rd.....	8:29								

Phoenix West

Effective: 01/22/2024

2063

Weekday

Duty Type	Block	Report Time	Start Place	Start Time	End Time	End Place	Clear Time	Paid Time	Seat Time
ST	2067	4:33	WEST	4:38	14:03	107I-E	14:20	9h47	7h47
	CAR		107I-E	14:03	14:20	WEST			

Sign-on	4:33	Deadhead	41 / West / 724 / 20161834
		107th Ave & Indian School Rd.	8:51 Granite Reef Rd & Indian Sch
Block	2067	107th Ave & Indian School Rd.	8:57

Pull Out		41 / East / 172 / 20161953	44th St & Indian School Rd..... 12:13
West Transit Facility.....	4:53	107th Ave & Indian School Rd.	9:38
107th Ave & Indian School Rd.	5:08	83rd Ave & Indian School Rd.....	9:47

41 / East / 172 / 20161962		59th Ave & Indian School Rd.....	9:58
107th Ave & Indian School Rd.	5:08	43rd Ave & Indian School Rd.....	10:07
83rd Ave & Indian School Rd.....	5:17	19th Ave & Indian School Rd.....	10:22
59th Ave & Indian School Rd.....	5:28	Central Ave & Indian School Rd.	10:30
43rd Ave & Indian School Rd.....	5:37	Central Ave & Indian School Rd.	10:34
19th Ave & Indian School Rd.....	5:52	24th St & Indian School Rd.....	10:48
Central Ave & Indian School Rd.	6:00	32nd St & Indian School Rd.....	10:53
Central Ave & Indian School Rd.	6:04	44th St & Indian School Rd.....	10:59
24th St & Indian School Rd.....	6:13	56th St & Indian School Rd.....	11:05
32nd St & Indian School Rd.....	6:18	Scottsdale Rd & Indian School	11:11
44th St & Indian School Rd.....	6:23	Granite Reef Rd & Indian Sch	11:19
56th St & Indian School Rd.....	6:28	-----	
Scottsdale Rd & Indian School	6:34	Deadhead	Travel by
Granite Reef Rd & Indian Sch	6:42	Granite Reef Rd & Indian Sch	11:19
		Pima Rd & Chaparral Rd.....	11:23

Deadhead		Deadhead	Car Pull
Granite Reef Rd & Indian Sch	6:42	Pima Rd & Chaparral Rd.....	11:53
Pima Rd & Chaparral Rd.....	6:46	Granite Reef Rd & Indian Sch	11:57

Deadhead			41 / East / 172 / 20161944
Pima Rd & Chaparral Rd.....	7:01		107th Ave & Indian School Rd. 14:03
Granite Reef Rd & Indian Sch	7:05		83rd Ave & Indian School Rd.. 14:13

41 / West / 724 / 20161846			59th Ave & Indian School Rd... 14:25
Granite Reef Rd & Indian Sch	7:05		43rd Ave & Indian School Rd.. 14:34
Scottsdale Rd & Indian School	7:10		19th Ave & Indian School Rd... 14:50
56th St & Indian School Rd.....	7:18		Central Ave & Indian School R 15:00
44th St & Indian School Rd.....	7:22		Central Ave & Indian School R 15:04
32nd St & Indian School Rd.....	7:29		24th St & Indian School Rd..... 15:17
24th St & Indian School Rd.....	7:36		32nd St & Indian School Rd.... 15:22
Central Ave & Indian School Rd.	7:50		44th St & Indian School Rd..... 15:28
Central Ave & Indian School Rd.	7:54		56th St & Indian School Rd..... 15:34
19th Ave & Indian School Rd.....	8:02		Scottsdale Rd & Indian Schoo 15:40
43rd Ave & Indian School Rd.....	8:18		Granite Reef Rd & Indian Sch 15:48
59th Ave & Indian School Rd.....	8:28		
83rd Ave & Indian School Rd.....	8:41		
107th Ave & Indian School Rd.	8:51		

Phoenix West

Effective: 01/22/2024

2064

Weekday

Duty Type	Block	Report Time	Start Place	Start Time	End Time	End Place	Clear Time	Paid Time	Seat Time
ST	2068	4:36	WEST 94TH	4:41	12:34	94TH	12:50	8h14	6h28

Sign-on	4:36	29 / East / 31 / 20161537		Deadhead	
		93rd Ave & Thomas Rd.....	7:51	93rd Ave & Thomas Rd.....	12:04
Block	2068	Thomas Rd at Desert Sky TC....	7:57	94th Av Layover.....	12:05
		67th Ave & Thomas Rd.....	8:06		
Pull Out		51st Ave & Thomas Rd.....	8:17	Travel by	CAR
West Transit Facility.....	4:56	35th Ave & Thomas Rd.....	8:26		
Granite Reef Rd & Indian Sch	5:46	19th Ave & Thomas Rd.....	8:41	Car Pull	
		Central Ave & Thomas Rd.....	8:54	94th Av Layover.....	12:34
-----		24th St & Thomas Rd.....	9:04	West Transit Facility.....	12:50
41 / West / 724 / 20161849		44th St & Thomas Rd.....	9:19		
Granite Reef Rd & Indian Sch	5:46	56th St & Thomas Rd.....	9:24	29 / East / 31 / 20161553	
Scottsdale Rd & Indian School	5:50	Scottsdale Rd & Thomas Rd.....	9:31	93rd Ave & Thomas Rd.....	12:35
56th St & Indian School Rd.....	5:58	Pima Park.....	9:38	Thomas Rd at Desert Sky TC..	12:41
44th St & Indian School Rd.....	6:02	-----		67th Ave & Thomas Rd.....	12:48
32nd St & Indian School Rd.....	6:09	29 / West / 199 / 20161462		51st Ave & Thomas Rd.....	12:55
24th St & Indian School Rd.....	6:16	Pima Park.....	10:23	35th Ave & Thomas Rd.....	13:02
Central Ave & Indian School Rd.	6:30	Scottsdale Rd & Thomas Rd.....	10:28	19th Ave & Thomas Rd.....	13:12
Central Ave & Indian School Rd.	6:34	56th St & Thomas Rd.....	10:34	Central Ave & Thomas Rd.....	13:24
19th Ave & Indian School Rd.....	6:42	44th St & Thomas Rd.....	10:42	24th St & Thomas Rd.....	13:36
43rd Ave & Indian School Rd.....	6:58	24th St & Thomas Rd.....	10:54	44th St & Thomas Rd.....	13:52
59th Ave & Indian School Rd.....	7:08	Central Ave & Thomas Rd.....	11:08	56th St & Thomas Rd.....	13:58
83rd Ave & Indian School Rd.....	7:21	19th Ave & Thomas Rd.....	11:18	Scottsdale Rd & Thomas Rd...	14:05
107th Ave & Indian School Rd.	7:31	35th Ave & Thomas Rd.....	11:30	Pima Park.....	14:14
		51st Ave & Thomas Rd.....	11:39		
Deadhead		67th Ave & Thomas Rd.....	11:47		
107th Ave & Indian School Rd.	7:31	Desert Sky TC.....	11:55		
93rd Ave & Thomas Rd.....	7:39	Desert Sky TC.....	11:58		
		93rd Ave & Thomas Rd.....	12:04		

Phoenix West

Effective: 01/22/2024

2065

Weekday

Duty Type	Block	Report Time	Start Place	Start Time	End Time	End Place	Clear Time	Paid Time	Seat Time
ST	2069	4:37	WEST	4:42	13:46	83VB			
	CAR		83VB	13:46	13:53	WEST	13:53	9h16	7h14

Sign-on	4:37	83 / South / 155 / 20161737		83 / North / 183 / 20161023	
		Arrowhead Mall North.....	7:52	83rd Ave & Van Buren St.....	
Block	2069	83rd Ave & Thunderbird Rd.....	8:03	Desert Sky TC.....	
		83rd Ave & Peoria Ave.....	8:09	83rd Ave & Camelback Rd.....	
Pull Out		83rd Ave & Glendale Ave.....	8:21	83rd Ave & Glendale Ave.....	
West Transit Facility.....	4:57	83rd Ave & Camelback Rd.....	8:27	83rd Ave & Peoria Ave.....	
Arrowhead Mall North.....	5:24	Desert Sky TC.....	8:36	83rd Ave & Thunderbird Rd.....	
		83rd Ave & Van Buren St.....	8:45	Arrowhead Mall North.....	

83 / South / 155 / 20161725					
Arrowhead Mall North.....	5:24	Deadhead		Deadhead	
83rd Ave & Thunderbird Rd.....	5:34	83rd Ave & Van Buren St.....	8:45	Arrowhead Mall North.....	
83rd Ave & Peoria Ave.....	5:40	83rd Ave & Van Buren St.....	8:49	Arrowhead Mall Layover.....	
83rd Ave & Glendale Ave.....	5:51	-----			
83rd Ave & Camelback Rd.....	5:57	83 / North / 183 / 20161013			
Desert Sky TC.....	6:06	83rd Ave & Van Buren St.....	9:10	Deadhead	
83rd Ave & Van Buren St.....	6:15	Desert Sky TC.....	9:21	Arrowhead Mall Layover.....	
		83rd Ave & Camelback Rd.....	9:30	Arrowhead Mall North.....	
Deadhead		83rd Ave & Glendale Ave.....	9:36		
83rd Ave & Van Buren St.....	6:15	83rd Ave & Peoria Ave.....	9:48	83 / South / 155 / 20161759	
83rd Ave & Van Buren St.....	6:19	83rd Ave & Thunderbird Rd.....	9:54	Arrowhead Mall North.....	
		Arrowhead Mall North.....	10:05	83rd Ave & Thunderbird Rd.....	

83 / North / 183 / 20161002					
83rd Ave & Van Buren St.....	6:41	Deadhead		83rd Ave & Peoria Ave.....	
Desert Sky TC.....	6:51	Arrowhead Mall North.....	10:05	83rd Ave & Glendale Ave.....	
83rd Ave & Camelback Rd.....	7:00	Arrowhead Mall Layover.....	10:07	83rd Ave & Camelback Rd.....	
83rd Ave & Glendale Ave.....	7:06			Desert Sky TC.....	
83rd Ave & Peoria Ave.....	7:17	Deadhead		83rd Ave & Van Buren St.....	
83rd Ave & Thunderbird Rd.....	7:23	Arrowhead Mall Layover.....	10:20		
Arrowhead Mall North.....	7:34	Arrowhead Mall North.....	10:22	Travel by	
				CAR	

Deadhead		83 / South / 155 / 20161744			
Arrowhead Mall North.....	7:34	Arrowhead Mall North.....	10:22	Car Pull	
Arrowhead Mall Layover.....	7:36	83rd Ave & Thunderbird Rd.....	10:33	83rd Ave & Van Buren St.....	
		83rd Ave & Peoria Ave.....	10:39	West Transit Facility.....	
Deadhead		83rd Ave & Glendale Ave.....	10:51		
Arrowhead Mall Layover.....	7:50	83rd Ave & Camelback Rd.....	10:57	-----	
Arrowhead Mall North.....	7:52	Desert Sky TC.....	11:06	83 / North / 183 / 20161034	
		83rd Ave & Van Buren St.....	11:16	83rd Ave & Van Buren St.....	14:10

Deadhead		Deadhead		Desert Sky TC.....	14:21
		83rd Ave & Van Buren St.....	11:16	83rd Ave & Camelback Rd.....	14:31
		83rd Ave & Van Buren St.....	11:20	83rd Ave & Glendale Ave.....	14:37

				83rd Ave & Peoria Ave.....	14:49
				83rd Ave & Thunderbird Rd.....	14:55
				Arrowhead Mall North.....	15:07

Phoenix West

Effective: 01/22/2024

2066
Weekday

Duty Type	Block	Report Time	Start Place	Start Time	End Time	End Place	Clear Time	Paid Time	Seat Time
ST	2070	4:39	WEST	4:44	11:21	83MC			
	CAR		83MC	11:21	11:33	WEST	11:33	6h54	5h55

Sign-on	4:39	41 / East / 172 / 20161867		Travel by	CAR
		83rd Ave & Indian School Rd..	7:53		
Block	2070	59th Ave & Indian School Rd.....	8:07	Car Pull	
		43rd Ave & Indian School Rd.....	8:16	83rd Ave & McDowell Rd.....	11:21
Pull Out		19th Ave & Indian School Rd.....	8:32	West Transit Facility.....	11:33
West Transit Facility.....	4:59	Central Ave & Indian School Rd.	8:40		
Pima Park.....	5:49	Central Ave & Indian School Rd.	8:44	<i>29 / East / 31 / 20161175</i>	
		24th St & Indian School Rd.....	8:58	<i>Thomas Rd at Desert Sky TC..</i>	<i>11:56</i>
<i>29 / West / 199 / 20161509</i>		32nd St & Indian School Rd.....	9:03	<i>67th Ave & Thomas Rd.....</i>	<i>12:03</i>
Pima Park.....	5:49	44th St & Indian School Rd.....	9:09	<i>51st Ave & Thomas Rd.....</i>	<i>12:10</i>
Scottsdale Rd & Thomas Rd.....	5:53	56th St & Indian School Rd.....	9:15	<i>35th Ave & Thomas Rd.....</i>	<i>12:17</i>
56th St & Thomas Rd.....	5:58	Scottsdale Rd & Indian School	9:21	<i>19th Ave & Thomas Rd.....</i>	<i>12:27</i>
44th St & Thomas Rd.....	6:05	Granite Reef Rd & Indian Sch	9:29	<i>Central Ave & Thomas Rd.....</i>	<i>12:39</i>
24th St & Thomas Rd.....	6:15			<i>24th St & Thomas Rd.....</i>	<i>12:51</i>
Central Ave & Thomas Rd.....	6:29	Deadhead		<i>44th St & Thomas Rd.....</i>	<i>13:07</i>
19th Ave & Thomas Rd.....	6:38	Granite Reef Rd & Indian Sch	9:29	<i>56th St & Thomas Rd.....</i>	<i>13:13</i>
35th Ave & Thomas Rd.....	6:49	Pima Rd & McDowell Rd.....	9:36	<i>Scottsdale Rd & Thomas Rd...</i>	<i>13:19</i>
51st Ave & Thomas Rd.....	6:57			<i>Pima Park.....</i>	<i>13:28</i>
67th Ave & Thomas Rd.....	7:04	<i>17 / West / 125 / 20161603</i>			
Desert Sky TC.....	7:12	Pima Rd & McDowell Rd.....	9:50		
Desert Sky TC.....	7:15	Scottsdale Rd & McDowell Rd....	9:57		
93rd Ave & Thomas Rd.....	7:21	52nd St & McDowell Rd.....	10:05		
		44th St & McDowell Rd.....	10:09		
Deadhead		24th St & McDowell Rd.....	10:24		
93rd Ave & Thomas Rd.....	7:21	Central Ave & McDowell Rd.....	10:37		
83rd Ave & Indian School Rd..	7:28	19th Ave & McDowell Rd.....	10:45		
		43rd Ave & McDowell Rd.....	11:02		
		67th Ave & McDowell Rd.....	11:14		
		83rd Ave & McDowell Rd.....	11:21		

Phoenix West

Effective: 01/22/2024

2067

Weekday

Duty Type	Block	Report Time	Start Place	Start Time	End Time	End Place	Clear Time	Paid Time	Seat Time
ST	2071	4:40	WEST	4:45	14:51	83VB			
	CAR		83VB	14:51	14:58	WEST	14:58	10h18	8h24

Sign-on	4:40	3 / East / 86 / 20162055	Travel by	CAR
		4th St & La Canada Blvd.....	9:53	
Block	2071	Avondale Civic Center.....	10:07	Car Pull
		99th Ave & Van Buren St.....	10:13	83rd Ave & Van Buren St.....
		83rd Ave & Van Buren St.....	10:21	West Transit Facility.....
Pull Out		67th Ave & Van Buren St.....	10:26	
West Transit Facility.....	5:00	51st Ave & Van Buren St.....	10:39	<i>67th Ave & Van Buren St.....</i>
4th St & La Canada Blvd.....	5:25	35th Ave & Van Buren St.....	10:50	<i>51st Ave & Van Buren St.....</i>
		19th Ave & Van Buren St.....	11:01	<i>35th Ave & Van Buren St.....</i>
		Central Ave & Van Buren St.....	11:10	<i>19th Ave & Van Buren St.....</i>
		24th St & Van Buren St.....	11:24	<i>Central Ave & Van Buren St....</i>
		44th St & Van Buren St.....	11:33	<i>24th St & Van Buren St.....</i>
		Galvin Pkwy & Van Buren St.....	11:40	<i>44th St & Van Buren St.....</i>
		Phoenix Zoo.....	11:44	<i>Galvin Pkwy & Van Buren St...</i>

		3 / West / 546 / 20162131		<i>Phoenix Zoo.....</i>
		Phoenix Zoo.....	12:09	3 / West / 546 / 20162148
		Galvin Pkwy & Van Buren St.....	12:12	<i>Phoenix Zoo.....</i>
		44th St & Van Buren St.....	12:20	<i>Galvin Pkwy & Van Buren St...</i>
		24th St & Van Buren St.....	12:33	<i>44th St & Van Buren St.....</i>
		2nd Ave & Van Buren St.....	12:48	<i>24th St & Van Buren St.....</i>
		19th Ave & Van Buren St.....	12:57	<i>2nd Ave & Van Buren St.....</i>
		35th Ave & Van Buren St.....	13:07	<i>19th Ave & Van Buren St.....</i>
		51st Ave & Van Buren St.....	13:17	<i>35th Ave & Van Buren St.....</i>
		67th Ave & Van Buren St.....	13:26	<i>51st Ave & Van Buren St.....</i>
		83rd Ave & Van Buren St.....	13:34	<i>67th Ave & Van Buren St.....</i>
		99th Ave & Van Buren St.....	13:42	<i>83rd Ave & Van Buren St.....</i>
		Avondale Civic Center.....	13:50	<i>99th Ave & Van Buren St.....</i>
		4th St & La Canada Blvd.....	14:01	<i>Avondale Civic Center.....</i>

		3 / East / 86 / 20162076		<i>4th St & La Canada Blvd.....</i>
		4th St & La Canada Blvd.....	14:23	
		Avondale Civic Center.....	14:37	
		99th Ave & Van Buren St.....	14:43	
		83rd Ave & Van Buren St.....	14:51	

		3 / West / 546 / 20162112		
		Phoenix Zoo.....	7:39	
		Galvin Pkwy & Van Buren St.....	7:42	
		44th St & Van Buren St.....	7:50	
		24th St & Van Buren St.....	8:03	
		2nd Ave & Van Buren St.....	8:18	
		19th Ave & Van Buren St.....	8:27	
		35th Ave & Van Buren St.....	8:37	
		51st Ave & Van Buren St.....	8:47	
		67th Ave & Van Buren St.....	8:56	
		83rd Ave & Van Buren St.....	9:04	
		99th Ave & Van Buren St.....	9:12	
		Avondale Civic Center.....	9:20	
		4th St & La Canada Blvd.....	9:31	

Phoenix West

Effective: 01/22/2024

2068

Weekday

Duty Type	Block	Report Time	Start Place	Start Time	End Time	End Place	Clear Time	Paid Time	Seat Time
ST	2072	4:43	WEST	4:48	14:11	DSTC			
	CAR		DSTC	14:11	14:25	WEST	14:25	9h42	7h33

Sign-on	4:43	17 / West / 125 / 20161624				29 / West / 35 / 20161421			
		Pima Rd & McDowell Rd.....	7:50			Pima Park.....		12:40	
Block	2072	Scottsdale Rd & McDowell Rd....	7:57			Scottsdale Rd & Thomas Rd.....		12:45	
		52nd St & McDowell Rd.....	8:05			56th St & Thomas Rd.....		12:51	
Pull Out		44th St & McDowell Rd.....	8:09			44th St & Thomas Rd.....		12:59	
West Transit Facility.....	5:03	24th St & McDowell Rd.....	8:24			24th St & Thomas Rd.....		13:11	
Pebble Creek Pkwy & McDow	5:23	Central Ave & McDowell Rd.....	8:37			Central Ave & Thomas Rd.....		13:24	
		19th Ave & McDowell Rd.....	8:45			19th Ave & Thomas Rd.....		13:34	
17 / East / 132 / 20161040		43rd Ave & McDowell Rd.....	9:02			35th Ave & Thomas Rd.....		13:45	
Pebble Creek Pkwy & McDow	5:23	67th Ave & McDowell Rd.....	9:14			51st Ave & Thomas Rd.....		13:54	
Litchfield Rd & McDowell Rd.....	5:30	83rd Ave & McDowell Rd.....	9:21			67th Ave & Thomas Rd.....		14:02	
99th Ave & McDowell Rd.....	5:45					Desert Sky TC.....		14:11	
83rd Ave & McDowell Rd.....	5:53	Deadhead							
67th Ave & McDowell Rd.....	6:00	83rd Ave & McDowell Rd.....	9:21			Travel by		CAR	
43rd Ave & McDowell Rd.....	6:14	93rd Ave & Thomas Rd.....	9:27						
19th Ave & McDowell Rd.....	6:30					Car Pull			
Central Ave & McDowell Rd.....	6:40	29 / East / 31 / 20161541				Desert Sky TC.....		14:11	
24th St & McDowell Rd.....	6:54	93rd Ave & Thomas Rd.....	10:02			West Transit Facility.....		14:25	
44th St & McDowell Rd.....	7:06	Thomas Rd at Desert Sky TC....	10:08						
52nd St & McDowell Rd.....	7:10	67th Ave & Thomas Rd.....	10:15			29 / East / 31 / 20161122			
Scottsdale Rd & McDowell Rd....	7:19	51st Ave & Thomas Rd.....	10:22			<i>Thomas Rd at Desert Sky TC..</i>		<i>14:27</i>	
Pima Rd & McDowell Rd.....	7:27	35th Ave & Thomas Rd.....	10:30			<i>67th Ave & Thomas Rd.....</i>		<i>14:36</i>	
		19th Ave & Thomas Rd.....	10:41			<i>51st Ave & Thomas Rd.....</i>		<i>14:45</i>	
Deadhead		Central Ave & Thomas Rd.....	10:54			<i>35th Ave & Thomas Rd.....</i>		<i>14:53</i>	
Pima Rd & McDowell Rd.....	7:27	24th St & Thomas Rd.....	11:05			<i>19th Ave & Thomas Rd.....</i>		<i>15:04</i>	
Pima Rd & McDowell Rd.....	7:34	44th St & Thomas Rd.....	11:21			<i>Central Ave & Thomas Rd.....</i>		<i>15:16</i>	
		56th St & Thomas Rd.....	11:27			<i>24th St & Thomas Rd.....</i>		<i>15:29</i>	
		Scottsdale Rd & Thomas Rd.....	11:33			<i>44th St & Thomas Rd.....</i>		<i>15:47</i>	
		Pima Park.....	11:42			<i>56th St & Thomas Rd.....</i>		<i>15:54</i>	
						<i>Scottsdale Rd & Thomas Rd...</i>		<i>16:01</i>	
						<i>Pima Park.....</i>		<i>16:10</i>	

Phoenix West

Effective: 01/22/2024

2069

Weekday

Duty Type	Block	Report Time	Start Place	Start Time	End Time	End Place	Clear Time	Paid Time	Seat Time
ST	2073	4:45	WEST 93TH	4:50	13:04	93TH	13:21	8h36	6h47

Sign-on	4:45	Deadhead				29 / West / 199 / 20161427			
		93rd Ave & Thomas Rd.....		8:25		Pima Park.....			11:23
Block	2073	94th Av Layover.....		8:26		Scottsdale Rd & Thomas Rd.....			11:28
						56th St & Thomas Rd.....			11:34
Pull Out		Deadhead				44th St & Thomas Rd.....			11:42
West Transit Facility.....	5:05	94th Av Layover.....		9:01		24th St & Thomas Rd.....			11:54
Thomas Rd at Desert Sky TC..	5:19	93rd Ave & Thomas Rd.....		9:02		Central Ave & Thomas Rd.....			12:08
						19th Ave & Thomas Rd.....			12:18
29 / East / 31 / 20161378		29 / East / 31 / 20161538				35th Ave & Thomas Rd.....			12:30
Thomas Rd at Desert Sky TC..	5:19	93rd Ave & Thomas Rd.....		9:02		51st Ave & Thomas Rd.....			12:39
67th Ave & Thomas Rd.....	5:27	Thomas Rd at Desert Sky TC....		9:08		67th Ave & Thomas Rd.....			12:47
51st Ave & Thomas Rd.....	5:32	67th Ave & Thomas Rd.....		9:15		Desert Sky TC.....			12:55
35th Ave & Thomas Rd.....	5:39	51st Ave & Thomas Rd.....		9:22		Desert Sky TC.....			12:58
19th Ave & Thomas Rd.....	5:49	35th Ave & Thomas Rd.....		9:30		93rd Ave & Thomas Rd.....			13:04
Central Ave & Thomas Rd.....	5:59	19th Ave & Thomas Rd.....		9:41					
24th St & Thomas Rd.....	6:09	Central Ave & Thomas Rd.....		9:54		Travel by			CAR
44th St & Thomas Rd.....	6:18	24th St & Thomas Rd.....		10:05		Car Pull			
56th St & Thomas Rd.....	6:23	44th St & Thomas Rd.....		10:21		93rd Ave & Thomas Rd.....			13:04
Scottsdale Rd & Thomas Rd.....	6:30	56th St & Thomas Rd.....		10:26		West Transit Facility.....			13:21
Pima Park.....	6:37	Scottsdale Rd & Thomas Rd.....		10:33					
		Pima Park.....		10:42		29 / East / 31 / 20161554			
29 / West / 199 / 20161492						<i>93rd Ave & Thomas Rd.....</i>			<i>13:39</i>
Pima Park.....	6:50					<i>Thomas Rd at Desert Sky TC..</i>			<i>13:45</i>
Scottsdale Rd & Thomas Rd.....	6:55					<i>67th Ave & Thomas Rd.....</i>			<i>13:52</i>
56th St & Thomas Rd.....	7:01					<i>51st Ave & Thomas Rd.....</i>			<i>13:59</i>
44th St & Thomas Rd.....	7:09					<i>35th Ave & Thomas Rd.....</i>			<i>14:06</i>
24th St & Thomas Rd.....	7:19					<i>19th Ave & Thomas Rd.....</i>			<i>14:16</i>
Central Ave & Thomas Rd.....	7:33					<i>Central Ave & Thomas Rd.....</i>			<i>14:28</i>
19th Ave & Thomas Rd.....	7:42					<i>24th St & Thomas Rd.....</i>			<i>14:40</i>
35th Ave & Thomas Rd.....	7:53					<i>44th St & Thomas Rd.....</i>			<i>14:58</i>
51st Ave & Thomas Rd.....	8:01					<i>56th St & Thomas Rd.....</i>			<i>15:05</i>
67th Ave & Thomas Rd.....	8:08					<i>Scottsdale Rd & Thomas Rd...</i>			<i>15:12</i>
Desert Sky TC.....	8:16					<i>Pima Park.....</i>			<i>15:21</i>
Desert Sky TC.....	8:19								
93rd Ave & Thomas Rd.....	8:25								

Phoenix West

Effective: 01/22/2024

2070

Weekday

Duty Type	Block	Report Time	Start Place	Start Time	End Time	End Place	Clear Time	Paid Time	Seat Time
ST	2078	4:50	WEST	4:55	11:54	37VB			
	CAR		37VB	11:54	12:09	WEST	12:09	7h19	5h29

Sign-on	4:50	Deadhead	Deadhead
		44th St & Van Buren St.....	7:48 44th St & Van Buren St..... 10:18
Block	2078	44th St Sky Train Station.....	7:53 44th St Sky Train Station..... 10:23
<hr/>			
Pull Out		Deadhead	Deadhead
West Transit Facility.....	5:10	44th St Sky Train Station.....	8:30 44th St Sky Train Station..... 11:00
44th St & Van Buren St.....	6:05	44th St & Van Buren St.....	8:35 44th St & Van Buren St..... 11:05
<hr/>			
3 / West / 118 / 20162105		3 / West / 118 / 20162115	3 / West / 118 / 20162125
44th St & Van Buren St.....	6:05	44th St & Van Buren St.....	8:35 44th St & Van Buren St..... 11:05
24th St & Van Buren St.....	6:18	24th St & Van Buren St.....	8:48 24th St & Van Buren St..... 11:18
2nd Ave & Van Buren St.....	6:33	2nd Ave & Van Buren St.....	9:03 2nd Ave & Van Buren St..... 11:33
19th Ave & Van Buren St.....	6:42	19th Ave & Van Buren St.....	9:12 19th Ave & Van Buren St..... 11:42
35th Ave & Van Buren St.....	6:52	35th Ave & Van Buren St.....	9:22 35th Ave & Van Buren St..... 11:52
<hr/>			
Deadhead		Deadhead	Deadhead
35th Ave & Van Buren St.....	6:52	35th Ave & Van Buren St.....	9:22 35th Ave & Van Buren St..... 11:52
37th Av Layover.....	6:54	37th Av Layover.....	9:24 37th Av Layover..... 11:54
<hr/>			
Deadhead		Deadhead	Travel by CAR
37th Av Layover.....	7:02	37th Av Layover.....	9:32
35th Ave & Van Buren St.....	7:05	35th Ave & Van Buren St.....	9:35
<hr/>			
3 / East / 116 / 20162043		3 / East / 116 / 20162053	3 / East / 116 / 20162063
35th Ave & Van Buren St.....	7:05	35th Ave & Van Buren St.....	9:35
19th Ave & Van Buren St.....	7:16	19th Ave & Van Buren St.....	9:46 19th Ave & Van Buren St..... 12:05
Central Ave & Van Buren St.....	7:25	Central Ave & Van Buren St.....	9:55 35th Ave & Van Buren St..... 12:05
24th St & Van Buren St.....	7:39	24th St & Van Buren St.....	10:09 19th Ave & Van Buren St..... 12:16
44th St & Van Buren St.....	7:48	44th St & Van Buren St.....	10:18
			12:25 Central Ave & Van Buren St.... 12:25
			12:39 24th St & Van Buren St..... 12:39
			12:48 44th St & Van Buren St..... 12:48

Phoenix West

Effective: 01/22/2024

2071
Weekday

Duty Type	Block	Report Time	Start Place	Start Time	End Time	End Place	Clear Time	Paid Time	Seat Time
ST	2079	4:50	WEST 93TH	4:55	14:10	93TH	14:27	9h37	7h11

Sign-on	4:50	Deadhead	Deadhead
		93rd Ave & Thomas Rd.....	8:57 93rd Ave & Thomas Rd..... 13:36
Block	2079	94th Av Layover.....	8:58 94th Av Layover..... 13:37

Pull Out		Deadhead	Deadhead
West Transit Facility.....	5:10	94th Av Layover.....	9:31 94th Av Layover..... 14:09
99th Ave & McDowell Rd.....	5:20	93rd Ave & Thomas Rd.....	9:32 93rd Ave & Thomas Rd..... 14:10

17 / East / 132 / 20161651		29 / East / 31 / 20161539	Travel by CAR
99th Ave & McDowell Rd.....	5:20	93rd Ave & Thomas Rd.....	9:32
83rd Ave & McDowell Rd.....	5:28	Thomas Rd at Desert Sky TC....	9:38
67th Ave & McDowell Rd.....	5:35	67th Ave & Thomas Rd.....	9:45
43rd Ave & McDowell Rd.....	5:46	51st Ave & Thomas Rd.....	9:52
19th Ave & McDowell Rd.....	6:00	35th Ave & Thomas Rd.....	10:00
Central Ave & McDowell Rd.....	6:10	19th Ave & Thomas Rd.....	10:11
24th St & McDowell Rd.....	6:24	Central Ave & Thomas Rd.....	10:24
44th St & McDowell Rd.....	6:36	24th St & Thomas Rd.....	10:35
52nd St & McDowell Rd.....	6:40	44th St & Thomas Rd.....	10:51
Scottsdale Rd & McDowell Rd...	6:49	56th St & Thomas Rd.....	10:57
Pima Rd & McDowell Rd.....	6:57	Scottsdale Rd & Thomas Rd....	11:03
		Pima Park.....	11:12

Deadhead		29 / West / 199 / 20161426	
Pima Rd & McDowell Rd.....	6:57	Pima Park.....	11:53
Pima Park.....	7:02	Scottsdale Rd & Thomas Rd....	11:58
		56th St & Thomas Rd.....	12:04
29 / West / 199 / 20161481		44th St & Thomas Rd.....	12:12
Pima Park.....	7:22	24th St & Thomas Rd.....	12:24
Scottsdale Rd & Thomas Rd.....	7:27	Central Ave & Thomas Rd.....	12:38
56th St & Thomas Rd.....	7:33	19th Ave & Thomas Rd.....	12:48
44th St & Thomas Rd.....	7:41	35th Ave & Thomas Rd.....	13:00
24th St & Thomas Rd.....	7:51	51st Ave & Thomas Rd.....	13:09
Central Ave & Thomas Rd.....	8:05	67th Ave & Thomas Rd.....	13:17
19th Ave & Thomas Rd.....	8:14	Desert Sky TC.....	13:26
35th Ave & Thomas Rd.....	8:25	Desert Sky TC.....	13:29
51st Ave & Thomas Rd.....	8:33	93rd Ave & Thomas Rd.....	13:36
67th Ave & Thomas Rd.....	8:40		
Desert Sky TC.....	8:48		
Desert Sky TC.....	8:51		
93rd Ave & Thomas Rd.....	8:57		

Phoenix West

Effective: 01/22/2024

2072

Weekday

Duty Type	Block	Report Time	Start Place	Start Time	End Time	End Place	Clear Time	Paid Time	Seat Time
ST	2080	4:56	WEST	5:01	11:15	DSTC			
	CAR		DSTC	11:15	11:29	WEST	11:29	6h33	5h43

Sign-on	4:56	MARY / CCIkWs / 787 / 20162009				Travel by			CAR
		Desert Sky TC.....		7:30					
Block	2080	83rd Ave & Osborn Rd.....		7:46		Car Pull			
		75th Ave & Encanto Blvd.....		8:02		Desert Sky TC.....		11:15	
Pull Out		63rd Ave & Fillmore St.....		8:14		West Transit Facility.....		11:29	
West Transit Facility.....	5:16	55th Ave & Encanto Blvd.....		8:24					
Desert Sky TC.....	5:30	51st Ave & Indian School Rd.....		8:37		MARY / CCIkWs / 787 / 20162012			
		67th Ave & Campbell Ave.....		8:48		<i>Desert Sky TC.....</i>		<i>11:30</i>	
MARY / CCIkWs / 787 / 20162006		59th Ave & Thomas Rd.....		8:59		<i>83rd Ave & Osborn Rd.....</i>		<i>11:46</i>	
Desert Sky TC.....	5:30	Desert Sky TC.....		9:15		<i>75th Ave & Encanto Blvd.....</i>		<i>12:02</i>	
83rd Ave & Osborn Rd.....	5:46					<i>63rd Ave & Fillmore St.....</i>		<i>12:14</i>	
75th Ave & Encanto Blvd.....	6:02	MARY / CCIkWs / 787 / 20162011				<i>55th Ave & Encanto Blvd.....</i>		<i>12:24</i>	
63rd Ave & Fillmore St.....	6:14	Desert Sky TC.....		9:30		<i>51st Ave & Indian School Rd...</i>		<i>12:37</i>	
55th Ave & Encanto Blvd.....	6:24	83rd Ave & Osborn Rd.....		9:46		<i>67th Ave & Campbell Ave.....</i>		<i>12:48</i>	
51st Ave & Indian School Rd.....	6:37	75th Ave & Encanto Blvd.....		10:02		<i>59th Ave & Thomas Rd.....</i>		<i>12:59</i>	
67th Ave & Campbell Ave.....	6:48	63rd Ave & Fillmore St.....		10:14		<i>Desert Sky TC.....</i>		<i>13:15</i>	
59th Ave & Thomas Rd.....	6:59	55th Ave & Encanto Blvd.....		10:24					
Desert Sky TC.....	7:15	51st Ave & Indian School Rd.....		10:37					
		67th Ave & Campbell Ave.....		10:48					
		59th Ave & Thomas Rd.....		10:59					
		Desert Sky TC.....		11:15					

Phoenix West

Effective: 01/22/2024

2073

Weekday

Duty Type	Block	Report Time	Start Place	Start Time	End Time	End Place	Clear Time	Paid Time	Seat Time
ST	2083	5:02	WEST	5:07	13:53	83MC	14:05	9h03	6h58
	CAR		83MC	13:53	14:05	WEST			

Sign-on	5:02	17 / East / 132 / 20161006	Deadhead
		Pebble Creek Pkwy & McDow	9:05
Block	2083	Litchfield Rd & McDowell Rd.....	9:12
		99th Ave & McDowell Rd.....	9:27
Pull Out		83rd Ave & McDowell Rd.....	9:35
West Transit Facility.....	5:22	67th Ave & McDowell Rd.....	9:42
Pima Rd & McDowell Rd.....	6:10	43rd Ave & McDowell Rd.....	9:54
		19th Ave & McDowell Rd.....	10:10
		Central Ave & McDowell Rd.....	10:20
		24th St & McDowell Rd.....	10:35
		44th St & McDowell Rd.....	10:47
		52nd St & McDowell Rd.....	10:51
		Scottsdale Rd & McDowell Rd....	10:59
		Pima Rd & McDowell Rd.....	11:07
		17 / West / 127 / 20161643	
Pima Rd & McDowell Rd.....	6:10	24th St & McDowell Rd.....	10:35
Scottsdale Rd & McDowell Rd....	6:17	44th St & McDowell Rd.....	10:47
52nd St & McDowell Rd.....	6:25	52nd St & McDowell Rd.....	10:51
44th St & McDowell Rd.....	6:29	Scottsdale Rd & McDowell Rd....	10:59
24th St & McDowell Rd.....	6:44	Pima Rd & McDowell Rd.....	11:07
Central Ave & McDowell Rd.....	6:57		
19th Ave & McDowell Rd.....	7:05	Deadhead	
43rd Ave & McDowell Rd.....	7:22	Pima Rd & McDowell Rd.....	11:07
67th Ave & McDowell Rd.....	7:34	Pima Rd & McDowell Rd.....	11:14
83rd Ave & McDowell Rd.....	7:41		
99th Ave & McDowell Rd.....	7:49	17 / West / 125 / 20161588	
Litchfield Rd & McDowell Rd.....	8:04	Pima Rd & McDowell Rd.....	11:50
Pebble Creek Pkwy & McDow	8:11	Scottsdale Rd & McDowell Rd....	11:57
		52nd St & McDowell Rd.....	12:05
Deadhead		44th St & McDowell Rd.....	12:09
Pebble Creek Pkwy & McDow	8:11	24th St & McDowell Rd.....	12:24
Pebble Creek Pkwy & McDow	8:18	Central Ave & McDowell Rd.....	12:37
		19th Ave & McDowell Rd.....	12:45
		43rd Ave & McDowell Rd.....	13:02
		67th Ave & McDowell Rd.....	13:14
		83rd Ave & McDowell Rd.....	13:21
		17 / East / 132 / 20160981	
		83rd Ave & McDowell Rd.....	13:53
		67th Ave & McDowell Rd.....	14:00
		43rd Ave & McDowell Rd.....	14:14
		19th Ave & McDowell Rd.....	14:30
		Central Ave & McDowell Rd....	14:40
		24th St & McDowell Rd.....	14:55
		44th St & McDowell Rd.....	15:07
		52nd St & McDowell Rd.....	15:11
		Scottsdale Rd & McDowell Rd	15:20
		McDowell Rd & Pima Rd East	15:28

Phoenix West

Effective: 01/22/2024

2074

Weekday

Duty Type	Block	Report Time	Start Place	Start Time	End Time	End Place	Clear Time	Paid Time	Seat Time
ST	2085	5:03	WEST 83IN	5:08	15:37	83IN	15:50	10h47	9h04

Sign-on	5:03	Deadhead			Deadhead				
		Pebble Creek Pkwy & McDow		10:11	107th Ave & Indian School Rd.				15:25
Block	2085	Pebble Creek Pkwy & McDow		10:18	83rd Ave & Indian School Rd..				15:37
Pull Out		17 / East / 132 / 20160995			Travel by				CAR
West Transit Facility.....	5:23	Pebble Creek Pkwy & McDow		11:05	Car Pull				
Pebble Creek Pkwy & McDow	5:43	Litchfield Rd & McDowell Rd.....		11:12	83rd Ave & Indian School Rd..				15:37
		99th Ave & McDowell Rd.....		11:27	West Transit Facility.....				15:50
		83rd Ave & McDowell Rd.....		11:35					
17 / East / 132 / 20161038		67th Ave & McDowell Rd.....		11:42	41 / East / 172 / 20161897				
Pebble Creek Pkwy & McDow	5:43	43rd Ave & McDowell Rd.....		11:54	83rd Ave & Indian School Rd..				16:14
Litchfield Rd & McDowell Rd.....	5:50	19th Ave & McDowell Rd.....		12:10	59th Ave & Indian School Rd...				16:27
99th Ave & McDowell Rd.....	6:05	Central Ave & McDowell Rd.....		12:20	43rd Ave & Indian School Rd..				16:36
83rd Ave & McDowell Rd.....	6:13	24th St & McDowell Rd.....		12:35	19th Ave & Indian School Rd...				16:50
67th Ave & McDowell Rd.....	6:20	44th St & McDowell Rd.....		12:47	Central Ave & Indian School R				17:00
43rd Ave & McDowell Rd.....	6:34	52nd St & McDowell Rd.....		12:51	Central Ave & Indian School R				17:04
19th Ave & McDowell Rd.....	6:50	Scottsdale Rd & McDowell Rd....		13:00	24th St & Indian School Rd.....				17:17
Central Ave & McDowell Rd.....	7:00	Pima Rd & McDowell Rd.....		13:08	32nd St & Indian School Rd....				17:22
24th St & McDowell Rd.....	7:14	Deadhead			44th St & Indian School Rd.....				17:28
44th St & McDowell Rd.....	7:26	Pima Rd & McDowell Rd.....		13:08	56th St & Indian School Rd.....				17:34
52nd St & McDowell Rd.....	7:30	Granite Reef Rd & Indian Sch		13:15	Scottsdale Rd & Indian Schoo				17:40
19th Ave & McDowell Rd.....	7:39				Granite Reef Rd & Indian Sch				17:48
Central Ave & McDowell Rd.....	7:47								
24th St & McDowell Rd.....		41 / West / 724 / 20161831							
44th St & McDowell Rd.....		Granite Reef Rd & Indian Sch		13:35					
52nd St & McDowell Rd.....		Scottsdale Rd & Indian School		13:40					
Central Ave & McDowell Rd.....		56th St & Indian School Rd.....		13:47					
24th St & McDowell Rd.....		44th St & Indian School Rd.....		13:52					
44th St & McDowell Rd.....		32nd St & Indian School Rd.....		13:58					
52nd St & McDowell Rd.....		24th St & Indian School Rd.....		14:05					
44th St & McDowell Rd.....		Central Ave & Indian School Rd.		14:20					
24th St & McDowell Rd.....		Central Ave & Indian School Rd.		14:24					
Central Ave & McDowell Rd.....		19th Ave & Indian School Rd.....		14:33					
19th Ave & McDowell Rd.....		43rd Ave & Indian School Rd.....		14:50					
43rd Ave & McDowell Rd.....		59th Ave & Indian School Rd.....		15:00					
67th Ave & McDowell Rd.....		83rd Ave & Indian School Rd.....		15:13					
83rd Ave & McDowell Rd.....		107th Ave & Indian School Rd.		15:25					
99th Ave & McDowell Rd.....									
Litchfield Rd & McDowell Rd.....	10:04								
Pebble Creek Pkwy & McDow	10:11								

Phoenix West

Effective: 01/22/2024

2075

Weekday

Duty Type	Block	Report Time	Start Place	Start Time	End Time	End Place	Clear Time	Paid Time	Seat Time
ST	2087	5:04	WEST	5:09	13:33	51VB	13:48	8h44	6h44
	CAR		51VB	13:33	13:48	WEST			

Sign-on	5:04	51 / North / 206 / 20161313		Travel by	CAR
		51st Ave & Pecos Rd.....	8:56		
Block	2087	Vee Quiva Casino.....	9:06	Car Pull	
		51st Ave & Baseline Rd.....	9:18	51st Ave & Van Buren St.....	13:33
Pull Out		51st Ave & Lower Buckeye Rd...	9:26	West Transit Facility.....	13:48
West Transit Facility.....	5:24	51st Ave & Van Buren St.....	9:33		
51st Ave & Baseline Rd.....	5:50	51st Ave & Thomas Rd.....	9:42	<i>51st Ave & Thomas Rd.....</i>	<i>13:42</i>
		51st Ave & Camelback Rd.....	9:51	<i>51st Ave & Camelback Rd.....</i>	<i>13:51</i>
51 / North / 206 / 20161303		51st Ave & Glendale Ave.....	9:57	<i>51st Ave & Glendale Ave.....</i>	<i>13:57</i>
51st Ave & Baseline Rd.....	5:50	51st Ave & Olive Ave.....	10:05	<i>51st Ave & Olive Ave.....</i>	<i>14:05</i>
51st Ave & Lower Buckeye Rd...	5:58	ASU West Campus.....	10:17	<i>ASU West Campus.....</i>	<i>14:17</i>
51st Ave & Van Buren St.....	6:04				
51st Ave & Thomas Rd.....	6:12	51 / South / 28 / 20160996		51 / South / 28 / 20161020	
51st Ave & Camelback Rd.....	6:20	ASU West Campus.....	10:57	<i>ASU West Campus.....</i>	<i>14:51</i>
51st Ave & Glendale Ave.....	6:26	51st Ave & Olive Ave.....	11:10	<i>51st Ave & Olive Ave.....</i>	<i>15:05</i>
51st Ave & Olive Ave.....	6:33	51st Ave & Glendale Ave.....	11:18	<i>51st Ave & Glendale Ave.....</i>	<i>15:14</i>
ASU West Campus.....	6:44	51st Ave & Camelback Rd.....	11:25	<i>51st Ave & Camelback Rd.....</i>	<i>15:22</i>
		51st Ave & Thomas Rd.....	11:34	<i>51st Ave & Thomas Rd.....</i>	<i>15:32</i>
51 / South / 28 / 20160966		51st Ave & Van Buren St.....	11:45	<i>51st Ave & Van Buren St.....</i>	<i>15:45</i>
ASU West Campus.....	6:57	51st Ave & Lower Buckeye Rd...	11:52	<i>51st Ave & Lower Buckeye Rd</i>	<i>15:53</i>
51st Ave & Olive Ave.....	7:10	51st Ave & Baseline Rd.....	12:00	<i>51st Ave & Baseline Rd.....</i>	<i>16:02</i>
51st Ave & Glendale Ave.....	7:17	Vee Quiva Casino.....	12:13	<i>Vee Quiva Casino.....</i>	<i>16:16</i>
51st Ave & Camelback Rd.....	7:25	Komatke Health Center.....	12:28	<i>Komatke Health Center.....</i>	<i>16:31</i>
51st Ave & Thomas Rd.....	7:34	51st Ave & Pecos Rd.....	12:32	<i>51st Ave & Pecos Rd.....</i>	<i>16:36</i>
51st Ave & Van Buren St.....	7:45				
51st Ave & Lower Buckeye Rd...	7:53	51 / North / 206 / 20161321			
51st Ave & Baseline Rd.....	8:02	51st Ave & Pecos Rd.....	12:56		
Vee Quiva Casino.....	8:14	Vee Quiva Casino.....	13:06		
Komatke Health Center.....	8:29	51st Ave & Baseline Rd.....	13:18		
51st Ave & Pecos Rd.....	8:33	51st Ave & Lower Buckeye Rd...	13:26		
		51st Ave & Van Buren St.....	13:33		

Phoenix West

Effective: 01/22/2024

2076

Weekday

Duty Type	Block	Report Time	Start Place	Start Time	End Time	End Place	Clear Time	Paid Time	Seat Time
ST	2088	5:05	WEST 83IN	5:10	14:27	83IN	14:40	9h35	7h45

Sign-on	5:05	Deadhead				41 / West / 724 / 20161838			
		107th Ave & Indian School Rd.		9:31		Granite Reef Rd & Indian Sch		12:26	
Block	2088	107th Ave & Indian School Rd.		9:37		Scottsdale Rd & Indian School		12:31	
						56th St & Indian School Rd.....		12:38	
Pull Out		41 / East / 172 / 20161943				44th St & Indian School Rd.....		12:43	
West Transit Facility.....	5:25	107th Ave & Indian School Rd.		10:08		32nd St & Indian School Rd.....		12:49	
83rd Ave & Indian School Rd..	5:37	83rd Ave & Indian School Rd.....		10:17		24th St & Indian School Rd.....		12:56	
		59th Ave & Indian School Rd.....		10:28		Central Ave & Indian School Rd.		13:10	
		43rd Ave & Indian School Rd.....		10:37		Central Ave & Indian School Rd.		13:14	
41 / East / 172 / 20161873		19th Ave & Indian School Rd.....		10:52		19th Ave & Indian School Rd.....		13:23	
83rd Ave & Indian School Rd..	5:37	Central Ave & Indian School Rd.		11:00		43rd Ave & Indian School Rd.....		13:40	
59th Ave & Indian School Rd.....	5:48	Central Ave & Indian School Rd.		11:04		59th Ave & Indian School Rd.....		13:50	
43rd Ave & Indian School Rd.....	5:57	24th St & Indian School Rd.....		11:18		83rd Ave & Indian School Rd.....		14:03	
19th Ave & Indian School Rd.....	6:12	32nd St & Indian School Rd.....		11:23		107th Ave & Indian School Rd.		14:15	
Central Ave & Indian School Rd.	6:20	44th St & Indian School Rd.....		11:29					
Central Ave & Indian School Rd.	6:24	56th St & Indian School Rd.....		11:35		Deadhead			
24th St & Indian School Rd.....	6:35	Scottsdale Rd & Indian School		11:41		107th Ave & Indian School Rd.		14:15	
32nd St & Indian School Rd.....	6:40	Granite Reef Rd & Indian Sch		11:49		83rd Ave & Indian School Rd..		14:27	
44th St & Indian School Rd.....	6:47								
56th St & Indian School Rd.....	6:53	Deadhead				Travel by		CAR	
Scottsdale Rd & Indian School	6:59	Granite Reef Rd & Indian Sch		11:49					
Granite Reef Rd & Indian Sch	7:07	Pima Rd & Chaparral Rd.....		11:53		Car Pull			
						83rd Ave & Indian School Rd..		14:27	
Deadhead		Deadhead				West Transit Facility.....		14:40	
Granite Reef Rd & Indian Sch	7:07	Pima Rd & Chaparral Rd.....		12:22					
Pima Rd & Chaparral Rd.....	7:11	Granite Reef Rd & Indian Sch		12:26					
						41 / East / 172 / 20161857			
Deadhead						83rd Ave & Indian School Rd..		14:52	
Pima Rd & Chaparral Rd.....	7:41					59th Ave & Indian School Rd...		15:05	
Granite Reef Rd & Indian Sch	7:45					43rd Ave & Indian School Rd..		15:14	
						19th Ave & Indian School Rd...		15:30	
41 / West / 724 / 20161841						Central Ave & Indian School R		15:40	
Granite Reef Rd & Indian Sch	7:45					Central Ave & Indian School R		15:44	
Scottsdale Rd & Indian School	7:50					24th St & Indian School Rd.....		15:57	
56th St & Indian School Rd.....	7:58					32nd St & Indian School Rd....		16:02	
44th St & Indian School Rd.....	8:02					44th St & Indian School Rd.....		16:08	
32nd St & Indian School Rd.....	8:09					56th St & Indian School Rd.....		16:14	
24th St & Indian School Rd.....	8:16					Scottsdale Rd & Indian Schoo		16:20	
Central Ave & Indian School Rd.	8:30					Granite Reef Rd & Indian Sch		16:28	
Central Ave & Indian School Rd.	8:34								
19th Ave & Indian School Rd.....	8:42								
43rd Ave & Indian School Rd.....	8:58								
59th Ave & Indian School Rd.....	9:08								
83rd Ave & Indian School Rd.....	9:21								
107th Ave & Indian School Rd.	9:31								

Phoenix West

Effective: 01/22/2024

2077

Weekday

Duty Type	Block	Report Time	Start Place	Start Time	End Time	End Place	Clear Time	Paid Time	Seat Time
ST	2089	5:06	WEST	5:11	13:06	75LB			
	CAR		75LB	13:06	13:21	WEST	13:21	8h15	6h32

Sign-on	5:06	Deadhead	75 / North / 147 / 20161762
		75th Ave & Lower Buckeye Rd	8:32
Block	2089	Sierra Linda HS-North.....	8:37
			75th Ave & Van Buren St..... 11:52
			Desert Sky TC..... 12:07
Pull Out		67 / North / 108 / 20161224	75th Ave & Camelback Rd..... 12:16
West Transit Facility.....	5:26	Sierra Linda HS-North.....	8:56
67th Ave & Union Hills Dr.....	5:54	67th Ave & Van Buren St.....	9:06
		67th Ave & Thomas Rd.....	9:15
		67th Ave & Camelback Rd.....	9:24
		67th Ave & Glendale Ave.....	9:35
67 / South / 254 / 20161597		67th Ave & Olive Ave.....	9:43
67th Ave & Union Hills Dr.....	5:54	67th Ave & Thunderbird Rd.....	9:52
67th Ave & Thunderbird Rd.....	6:02	67th Ave & Union Hills Dr.....	10:02
67th Ave & Olive Ave.....	6:10		
67th Ave & Glendale Ave.....	6:18	Deadhead	
67th Ave & Camelback Rd.....	6:26	67th Ave & Union Hills Dr.....	10:02
67th Ave & Thomas Rd.....	6:36	67th Ave & Union Hills Dr.....	10:07
67th Ave & Van Buren St.....	6:46		
Sierra Linda HS-South.....	6:55		
			Travel by CAR
Deadhead		67 / South / 254 / 20161611	
Sierra Linda HS-South.....	6:55	67th Ave & Union Hills Dr.....	10:22
75th Ave & Lower Buckeye Rd	7:00	67th Ave & Thunderbird Rd.....	10:30
		67th Ave & Olive Ave.....	10:39
		67th Ave & Glendale Ave.....	10:47
75 / North / 147 / 20161748		67th Ave & Camelback Rd.....	10:56
75th Ave & Lower Buckeye Rd	7:17	67th Ave & Thomas Rd.....	11:05
75th Ave & Van Buren St.....	7:23	67th Ave & Van Buren St.....	11:17
Desert Sky TC.....	7:37	Sierra Linda HS-South.....	11:25
75th Ave & Camelback Rd.....	7:47		
			67 / North / 108 / 20161202
			<i>Sierra Linda HS-North..... 13:24</i>
			<i>67th Ave & Van Buren St..... 13:35</i>
			<i>67th Ave & Thomas Rd..... 13:45</i>
			<i>67th Ave & Camelback Rd..... 13:54</i>
			<i>67th Ave & Glendale Ave..... 14:05</i>
			<i>67th Ave & Olive Ave..... 14:14</i>
			<i>67th Ave & Thunderbird Rd..... 14:24</i>
			<i>67th Ave & Union Hills Dr..... 14:34</i>
Deadhead		Deadhead	
75th Ave & Camelback Rd.....	7:47	Sierra Linda HS-South.....	11:25
75th Ave & Camelback Rd.....	7:59	75th Ave & Lower Buckeye Rd	11:30
75 / South / 149 / 20161700			
75th Ave & Camelback Rd.....	8:06		
Desert Sky TC.....	8:17		
75th Ave & Van Buren St.....	8:28		
75th Ave & Lower Buckeye Rd	8:32		

Phoenix West

Effective: 01/22/2024

2078

Weekday

Duty Type	Block	Report Time	Start Place	Start Time	End Time	End Place	Clear Time	Paid Time	Seat Time
ST	2090	5:08	WEST	5:13	14:04	83VB			
	CAR		83VB	14:04	14:11	WEST	14:11	9h03	7h31

Sign-on	5:08	3 / East / 86 / 20162059					Travel by		CAR
		4th St & La Canada Blvd.....		10:23					
Block	2090	Avondale Civic Center.....		10:37			Car Pull		
		99th Ave & Van Buren St.....		10:43			83rd Ave & Van Buren St.....		14:04
Pull Out		83rd Ave & Van Buren St.....		10:51			West Transit Facility.....		14:11
West Transit Facility.....	5:28	67th Ave & Van Buren St.....		10:56					
4th St & La Canada Blvd.....	5:53	51st Ave & Van Buren St.....		11:09			99th Ave & Van Buren St.....		14:12
		35th Ave & Van Buren St.....		11:20			Avondale Civic Center.....		14:20
3 / East / 86 / 20162042		19th Ave & Van Buren St.....		11:31			4th St & La Canada Blvd.....		14:31
4th St & La Canada Blvd.....	5:53	Central Ave & Van Buren St.....		11:40					
Avondale Civic Center.....	6:07	24th St & Van Buren St.....		11:54			3 / East / 86 / 20162078		
99th Ave & Van Buren St.....	6:13	44th St & Van Buren St.....		12:03			4th St & La Canada Blvd.....		14:53
83rd Ave & Van Buren St.....	6:21	Galvin Pkwy & Van Buren St.....		12:10			Avondale Civic Center.....		15:07
67th Ave & Van Buren St.....	6:26	Phoenix Zoo.....		12:14			99th Ave & Van Buren St.....		15:13
51st Ave & Van Buren St.....	6:39						83rd Ave & Van Buren St.....		15:21
35th Ave & Van Buren St.....	6:50	3 / West / 546 / 20162133					67th Ave & Van Buren St.....		15:26
19th Ave & Van Buren St.....	7:01	Phoenix Zoo.....		12:39			51st Ave & Van Buren St.....		15:39
Central Ave & Van Buren St.....	7:10	Galvin Pkwy & Van Buren St.....		12:42			35th Ave & Van Buren St.....		15:50
24th St & Van Buren St.....	7:24	44th St & Van Buren St.....		12:50			19th Ave & Van Buren St.....		16:01
44th St & Van Buren St.....	7:33	24th St & Van Buren St.....		13:03			Central Ave & Van Buren St....		16:10
Galvin Pkwy & Van Buren St.....	7:40	2nd Ave & Van Buren St.....		13:18			24th St & Van Buren St.....		16:24
Phoenix Zoo.....	7:44	19th Ave & Van Buren St.....		13:27			44th St & Van Buren St.....		16:33
		35th Ave & Van Buren St.....		13:37			Galvin Pkwy & Van Buren St...		16:40
3 / West / 546 / 20162114		51st Ave & Van Buren St.....		13:47			Phoenix Zoo.....		16:44
Phoenix Zoo.....	8:09	67th Ave & Van Buren St.....		13:56					
Galvin Pkwy & Van Buren St.....	8:12	83rd Ave & Van Buren St.....		14:04					
44th St & Van Buren St.....	8:20								
24th St & Van Buren St.....	8:33								
2nd Ave & Van Buren St.....	8:48								
19th Ave & Van Buren St.....	8:57								
35th Ave & Van Buren St.....	9:07								
51st Ave & Van Buren St.....	9:17								
67th Ave & Van Buren St.....	9:26								
83rd Ave & Van Buren St.....	9:34								
99th Ave & Van Buren St.....	9:42								
Avondale Civic Center.....	9:50								
4th St & La Canada Blvd.....	10:01								

Phoenix West

Effective: 01/22/2024

2079

Weekday

Duty Type	Block	Report Time	Start Place	Start Time	End Time	End Place	Clear Time	Paid Time	Seat Time
ST	2092	5:09	WEST 83IN	5:14	13:48	83IN	14:01	8h52	6h28

Sign-on	5:09	Deadhead				Deadhead			
		44th St & McDowell Rd.....		7:56		32nd St & Indian School Rd....		11:38	
Block	2092	32nd St & Indian School Rd....		8:06		32nd St & Indian School Rd....		11:50	
Pull Out		41 / West / 139 / 20161920				41 / West / 141 / 20161906			
West Transit Facility.....	5:29	32nd St & Indian School Rd....		8:19		32nd St & Indian School Rd....		12:34	
44th St & McDowell Rd.....	5:59	24th St & Indian School Rd.....		8:26		24th St & Indian School Rd.....		12:41	
		Central Ave & Indian School Rd.		8:40		Central Ave & Indian School Rd.		12:55	
		Central Ave & Indian School Rd.		8:44		Central Ave & Indian School Rd.		12:59	
17 / West / 124 / 20161210		19th Ave & Indian School Rd.....		8:52		19th Ave & Indian School Rd.....		13:08	
44th St & McDowell Rd.....	5:59	43rd Ave & Indian School Rd.....		9:08		43rd Ave & Indian School Rd.....		13:25	
24th St & McDowell Rd.....	6:14	59th Ave & Indian School Rd...		9:18		59th Ave & Indian School Rd.....		13:35	
Central Ave & McDowell Rd.....	6:27					83rd Ave & Indian School Rd..		13:48	
19th Ave & McDowell Rd.....	6:35	Deadhead							
43rd Ave & McDowell Rd.....	6:52	59th Ave & Indian School Rd...		9:18		Travel by		CAR	
		83rd Ave & Indian School Rd..		9:32					
Deadhead						Car Pull			
43rd Ave & McDowell Rd.....	6:52	41 / East / 137 / 20161863				83rd Ave & Indian School Rd..		13:48	
43rd Ave & McDowell Rd.....	6:57	83rd Ave & Indian School Rd..		10:32		West Transit Facility.....		14:01	
		59th Ave & Indian School Rd.....		10:43					
17 / East / 123 / 20161114		43rd Ave & Indian School Rd.....		10:52		41 / East / 137 / 20161881			
43rd Ave & McDowell Rd.....	7:04	19th Ave & Indian School Rd.....		11:07		59th Ave & Indian School Rd...		14:15	
19th Ave & McDowell Rd.....	7:20	Central Ave & Indian School Rd.		11:15		43rd Ave & Indian School Rd..		14:24	
Central Ave & McDowell Rd.....	7:30	Central Ave & Indian School Rd.		11:19		19th Ave & Indian School Rd...		14:40	
24th St & McDowell Rd.....	7:44	24th St & Indian School Rd.....		11:33		Central Ave & Indian School R		14:50	
44th St & McDowell Rd.....	7:56	32nd St & Indian School Rd....		11:38		Central Ave & Indian School R		14:54	
						24th St & Indian School Rd.....		15:07	
						32nd St & Indian School Rd....		15:12	

Phoenix West

Effective: 01/22/2024

2080

Weekday

Duty Type	Block	Report Time	Start Place	Start Time	End Time	End Place	Clear Time	Paid Time	Seat Time
ST	2095	5:18	WEST	5:23	11:15	83MC	11:27	6h09	4h29
	CAR		83MC	11:15	11:27	WEST			

Sign-on	5:18	Deadhead				Travel by		CAR	
		Pima Rd & McDowell Rd.....		8:07					
Block	2095	Pima Rd & McDowell Rd.....		8:14		Car Pull			
						83rd Ave & McDowell Rd.....		11:15	
						West Transit Facility.....		11:27	
Pull Out		17 / West / 125 / 20161609							
West Transit Facility.....	5:38	Pima Rd & McDowell Rd.....		9:10					
Pebble Creek Pkwy & McDow	6:03	Scottsdale Rd & McDowell Rd....		9:17		17 / East / 132 / 20160974			
		52nd St & McDowell Rd.....		9:25		83rd Ave & McDowell Rd.....		11:15	
		44th St & McDowell Rd.....		9:29		67th Ave & McDowell Rd.....		11:22	
17 / East / 132 / 20161036		24th St & McDowell Rd.....		9:44		43rd Ave & McDowell Rd.....		11:34	
Pebble Creek Pkwy & McDow	6:03	Central Ave & McDowell Rd.....		9:57		19th Ave & McDowell Rd.....		11:50	
Litchfield Rd & McDowell Rd.....	6:10	19th Ave & McDowell Rd.....		10:05		Central Ave & McDowell Rd....		12:00	
99th Ave & McDowell Rd.....	6:25	43rd Ave & McDowell Rd.....		10:22		24th St & McDowell Rd.....		12:15	
83rd Ave & McDowell Rd.....	6:33	67th Ave & McDowell Rd.....		10:34		44th St & McDowell Rd.....		12:27	
67th Ave & McDowell Rd.....	6:40	83rd Ave & McDowell Rd.....		10:41		52nd St & McDowell Rd.....		12:31	
43rd Ave & McDowell Rd.....	6:54					Scottsdale Rd & McDowell Rd		12:40	
19th Ave & McDowell Rd.....	7:10	Deadhead				Pima Rd & McDowell Rd.....		12:48	
Central Ave & McDowell Rd.....	7:20	83rd Ave & McDowell Rd.....		10:41					
24th St & McDowell Rd.....	7:34	83rd Ave & McDowell Rd.....		10:51					
44th St & McDowell Rd.....	7:46								
52nd St & McDowell Rd.....	7:50								
Scottsdale Rd & McDowell Rd....	7:59								
Pima Rd & McDowell Rd.....	8:07								

Phoenix West

Effective: 01/22/2024

2081
Weekday

Duty Type	Block	Report Time	Start Place	Start Time	End Time	End Place	Clear Time	Paid Time	Seat Time
ST	2097	5:20	WEST	5:25	12:24	37VB			
	CAR		37VB	12:24	12:39	WEST	12:39	7h19	5h29

Sign-on	5:20	Deadhead		Deadhead	
		44th St & Van Buren St.....	8:18	44th St & Van Buren St.....	10:48
Block	2097	44th St Sky Train Station.....	8:23	44th St Sky Train Station.....	10:53
<hr/>					
Pull Out		Deadhead		Deadhead	
West Transit Facility.....	5:40	44th St Sky Train Station.....	9:00	44th St Sky Train Station.....	11:30
44th St & Van Buren St.....	6:35	44th St & Van Buren St.....	9:05	44th St & Van Buren St.....	11:35
<hr/>					
3 / West / 118 / 20162107		3 / West / 118 / 20162117		3 / West / 118 / 20162127	
44th St & Van Buren St.....	6:35	44th St & Van Buren St.....	9:05	44th St & Van Buren St.....	11:35
24th St & Van Buren St.....	6:48	24th St & Van Buren St.....	9:18	24th St & Van Buren St.....	11:48
2nd Ave & Van Buren St.....	7:03	2nd Ave & Van Buren St.....	9:33	2nd Ave & Van Buren St.....	12:03
19th Ave & Van Buren St.....	7:12	19th Ave & Van Buren St.....	9:42	19th Ave & Van Buren St.....	12:12
35th Ave & Van Buren St.....	7:22	35th Ave & Van Buren St.....	9:52	35th Ave & Van Buren St.....	12:22
<hr/>					
Deadhead		Deadhead		Deadhead	
35th Ave & Van Buren St.....	7:22	35th Ave & Van Buren St.....	9:52	35th Ave & Van Buren St.....	12:22
37th Av Layover.....	7:24	37th Av Layover.....	9:54	37th Av Layover.....	12:24
<hr/>					
Deadhead		Deadhead		Travel by	CAR
37th Av Layover.....	7:32	37th Av Layover.....	10:02		
35th Ave & Van Buren St.....	7:35	35th Ave & Van Buren St.....	10:05	Car Pull	
<hr/>					
3 / East / 116 / 20162045		3 / East / 116 / 20162056		3 / East / 116 / 20162065	
35th Ave & Van Buren St.....	7:35	35th Ave & Van Buren St.....	10:05	35th Ave & Van Buren St.....	12:35
19th Ave & Van Buren St.....	7:46	19th Ave & Van Buren St.....	10:16	19th Ave & Van Buren St.....	12:46
Central Ave & Van Buren St.....	7:55	Central Ave & Van Buren St.....	10:25	Central Ave & Van Buren St....	12:55
24th St & Van Buren St.....	8:09	24th St & Van Buren St.....	10:39	24th St & Van Buren St.....	13:09
44th St & Van Buren St.....	8:18	44th St & Van Buren St.....	10:48	44th St & Van Buren St.....	13:18

Phoenix West

Effective: 01/22/2024

2082
Weekday

Duty Type	Block	Report Time	Start Place	Start Time	End Time	End Place	Clear Time	Paid Time	Seat Time
ST	2098	5:21	WEST	5:26	13:48	51HD	14:03	8h42	7h09
	CAR		51HD	13:48	14:03	WEST			

Sign-on	5:21	59 / South / 220 / 20161437	59 / South / 220 / 20161444
59th Ave & Beardsley Rd.....		9:19	59th Ave & Beardsley Rd.....
Block	2098	59th Ave & Bell Rd.....	59th Ave & Bell Rd.....
		59th Ave & Thunderbird Rd.....	59th Ave & Thunderbird Rd.....
Pull Out		59th Ave & Olive Ave.....	59th Ave & Olive Ave.....
West Transit Facility.....	5:41	59th Ave & Glendale Ave.....	59th Ave & Glendale Ave.....
59th Ave & Beardsley Rd.....	6:19	59th Ave & Camelback Rd.....	59th Ave & Camelback Rd.....
		59th Ave & Thomas Rd.....	59th Ave & Thomas Rd.....
		59th Ave & Van Buren St.....	59th Ave & Van Buren St.....
59 / South / 220 / 20161433		59th Ave & Buckeye Rd.....	59th Ave & Buckeye Rd.....
59th Ave & Beardsley Rd.....	6:19		
59th Ave & Bell Rd.....	6:25		
59th Ave & Thunderbird Rd.....	6:31	Deadhead	Deadhead
59th Ave & Olive Ave.....	6:44	59th Ave & Buckeye Rd.....	59th Ave & Buckeye Rd.....
59th Ave & Glendale Ave.....	6:55	51st Ave & Hadley St.....	51st Ave & Hadley St.....
59th Ave & Camelback Rd.....	7:06		
59th Ave & Thomas Rd.....	7:15	Deadhead	Travel by
59th Ave & Van Buren St.....	7:25	51st Ave & Hadley St.....	CAR
59th Ave & Buckeye Rd.....	7:28	59th Ave & Buckeye Rd.....	
			Car Pull
Deadhead		59 / North / 830 / 20161484	51st Ave & Hadley St.....
59th Ave & Buckeye Rd.....	7:28	59th Ave & Buckeye Rd.....	13:48
51st Ave & Hadley St.....	7:32	59th Ave & Van Buren St.....	West Transit Facility.....
		59th Ave & Thomas Rd.....	14:03
Deadhead		59th Ave & Camelback Rd.....	59 / North / 830 / 20161495
51st Ave & Hadley St.....	7:48	59th Ave & Glendale Ave.....	<i>59th Ave & Buckeye Rd.....</i>
59th Ave & Buckeye Rd.....	7:52	59th Ave & Olive Ave.....	<i>59th Ave & Van Buren St.....</i>
		59th Ave & Thunderbird Rd.....	<i>59th Ave & Thomas Rd.....</i>
59 / North / 830 / 20161476		59th Ave & Bell Rd.....	<i>59th Ave & Camelback Rd.....</i>
59th Ave & Buckeye Rd.....	7:52	59th Ave & Beardsley Rd.....	<i>59th Ave & Glendale Ave.....</i>
59th Ave & Van Buren St.....	7:54		<i>59th Ave & Olive Ave.....</i>
59th Ave & Thomas Rd.....	8:04		<i>59th Ave & Thunderbird Rd.....</i>
59th Ave & Camelback Rd.....	8:13		<i>59th Ave & Bell Rd.....</i>
59th Ave & Glendale Ave.....	8:24		<i>59th Ave & Beardsley Rd.....</i>
59th Ave & Olive Ave.....	8:34		
59th Ave & Thunderbird Rd.....	8:45		
59th Ave & Bell Rd.....	8:54		
59th Ave & Beardsley Rd.....	9:03		

Phoenix West

Effective: 01/22/2024

2083

Weekday

Duty Type	Block	Report Time	Start Place	Start Time	End Time	End Place	Clear Time	Paid Time	Seat Time
ST	2100 CAR	5:22	WEST 59IN	5:27 14:05	14:05 14:26	59IN WEST	14:26	9h04	7h29

Sign-on	5:22	Deadhead	Travel by	CAR	
Block	2100	Granite Reef Rd & Indian Sch	10:49		
Pull Out		Pima Rd & Chaparral Rd.....	10:53	Car Pull	
West Transit Facility.....	5:42	Pima Rd & Chaparral Rd.....	11:23	59th Ave & Indian School Rd... 14:05	
Pima Rd & McDowell Rd.....	6:30	Granite Reef Rd & Indian Sch	11:27	West Transit Facility..... 14:26	
17 / West / 127 / 20161642		41 / West / 724 / 20161839			
Pima Rd & McDowell Rd.....	6:30	Granite Reef Rd & Indian Sch	11:27	43rd Ave & Indian School Rd.. 14:14	
Scottsdale Rd & McDowell Rd....	6:37	Scottsdale Rd & Indian School	11:32	19th Ave & Indian School Rd... 14:30	
52nd St & McDowell Rd.....	6:45	56th St & Indian School Rd.....	11:39	Central Ave & Indian School R 14:40	
44th St & McDowell Rd.....	6:49	44th St & Indian School Rd.....	11:43	Central Ave & Indian School R 14:44	
24th St & McDowell Rd.....	7:04	32nd St & Indian School Rd.....	11:49	24th St & Indian School Rd.... 14:58	
Central Ave & McDowell Rd.....	7:17	24th St & Indian School Rd.....	11:56	32nd St & Indian School Rd.... 15:03	
19th Ave & McDowell Rd.....	7:25	Central Ave & Indian School Rd.	12:10	44th St & Indian School Rd.... 15:09	
43rd Ave & McDowell Rd.....	7:42	Central Ave & Indian School Rd.	12:14	56th St & Indian School Rd.... 15:15	
67th Ave & McDowell Rd.....	7:54	19th Ave & Indian School Rd.....	12:23	Scottsdale Rd & Indian Schoo 15:21	
83rd Ave & McDowell Rd.....	8:01	43rd Ave & Indian School Rd.....	12:40	Granite Reef Rd & Indian Sch 15:29	
99th Ave & McDowell Rd.....	8:09	59th Ave & Indian School Rd.....	12:50		
Litchfield Rd & McDowell Rd.....	8:24	83rd Ave & Indian School Rd.....	13:03	41 / West / 724 / 20161825	
Pebble Creek Pkwy & McDow	8:31	107th Ave & Indian School Rd.	13:13	Granite Reef Rd & Indian Sch	16:07
Deadhead		Deadhead		Scottsdale Rd & Indian Schoo	16:13
Pebble Creek Pkwy & McDow	8:31	107th Ave & Indian School Rd.	13:13	56th St & Indian School Rd....	16:21
107th Ave & Indian School Rd.	8:51	83rd Ave & Indian School Rd..	13:25	44th St & Indian School Rd....	16:27
41 / East / 172 / 20161954		41 / East / 172 / 20161858		32nd St & Indian School Rd....	16:34
107th Ave & Indian School Rd.	9:08	83rd Ave & Indian School Rd..	13:53	24th St & Indian School Rd....	16:41
83rd Ave & Indian School Rd.....	9:17	59th Ave & Indian School Rd...	14:05	Central Ave & Indian School R	17:00
59th Ave & Indian School Rd.....	9:28			Central Ave & Indian School R	17:04
43rd Ave & Indian School Rd.....	9:37			19th Ave & Indian School Rd...	17:13
19th Ave & Indian School Rd.....	9:52			43rd Ave & Indian School Rd..	17:33
Central Ave & Indian School Rd.	10:00			59th Ave & Indian School Rd...	17:44
Central Ave & Indian School Rd.	10:04			83rd Ave & Indian School Rd..	17:57
24th St & Indian School Rd.....	10:18			107th Ave & Indian School Rd.	18:10
32nd St & Indian School Rd.....	10:23				
44th St & Indian School Rd.....	10:29				
56th St & Indian School Rd.....	10:35				
Scottsdale Rd & Indian School	10:41				
Granite Reef Rd & Indian Sch	10:49				

Phoenix West

Effective: 01/22/2024

2084

Weekday

Duty Type	Block	Report Time	Start Place	Start Time	End Time	End Place	Clear Time	Paid Time	Seat Time
ST	2101	5:24	WEST	5:29	12:10	DSTC			
	CAR		DSTC	12:10	12:24	WEST	12:24	7h00	5h15

Sign-on	5:24	41 / West / 139 / 20161923			29 / West / 35 / 20161262
		32nd St & Indian School Rd....	7:19		44th St & Thomas Rd.....
Block	2101	24th St & Indian School Rd.....	7:26		24th St & Thomas Rd.....
		Central Ave & Indian School Rd.	7:40		Central Ave & Thomas Rd.....
Pull Out		Central Ave & Indian School Rd.	7:44		19th Ave & Thomas Rd.....
West Transit Facility.....	5:44	19th Ave & Indian School Rd.....	7:52		35th Ave & Thomas Rd.....
43rd Ave & McDowell Rd.....	6:04	43rd Ave & Indian School Rd....	8:08		51st Ave & Thomas Rd.....
		59th Ave & Indian School Rd...	8:18		67th Ave & Thomas Rd.....
		-----			Desert Sky TC.....
17 / East / 123 / 20161110		-----			12:10
43rd Ave & McDowell Rd.....	6:04	Deadhead			
19th Ave & McDowell Rd.....	6:20	59th Ave & Indian School Rd...	8:18		Travel by
Central Ave & McDowell Rd.....	6:30	83rd Ave & Indian School Rd..	8:32		CAR
24th St & McDowell Rd.....	6:44	-----			
44th St & McDowell Rd.....	6:56	41 / East / 137 / 20161801			Car Pull
		83rd Ave & Indian School Rd..	9:02		Desert Sky TC.....
Deadhead		59th Ave & Indian School Rd.....	9:13		12:10
44th St & McDowell Rd.....	6:56	43rd Ave & Indian School Rd....	9:22		West Transit Facility.....
32nd St & Indian School Rd....	7:06	19th Ave & Indian School Rd.....	9:37		12:24
		Central Ave & Indian School Rd.	9:45		-----
		Central Ave & Indian School Rd.	9:49		29 / East / 133 / 20161367
		24th St & Indian School Rd.....	10:03		51st Ave & Thomas Rd.....
		32nd St & Indian School Rd....	10:08		12:47
		-----			35th Ave & Thomas Rd.....
		Deadhead			12:54
		32nd St & Indian School Rd....	10:08		19th Ave & Thomas Rd.....
		44th St & Thomas Rd.....	10:15		13:04
		-----			Central Ave & Thomas Rd.....
					13:16
					24th St & Thomas Rd.....
					13:28
					44th St & Thomas Rd.....
					13:44

Phoenix West

Effective: 01/22/2024

2085

Weekday

Duty Type	Block	Report Time	Start Place	Start Time	End Time	End Place	Clear Time	Paid Time	Seat Time
ST	2104	5:28	WEST 59IN	5:33	15:10	59IN	15:31	10h03	7h02

Sign-on	5:28	Deadhead				Deadhead			
		32nd St & Indian School Rd....		8:53		44th St & Thomas Rd.....		13:28	
Block	2104	32nd St & Indian School Rd....		9:05		32nd St & Indian School Rd....		13:35	
Pull Out		41 / West / 141 / 20161965				41 / West / 139 / 20161910			
West Transit Facility.....	5:48	32nd St & Indian School Rd....		10:04		32nd St & Indian School Rd....		14:08	
32nd St & Indian School Rd....	6:39	24th St & Indian School Rd.....		10:11		24th St & Indian School Rd.....		14:15	
		Central Ave & Indian School Rd.		10:25		Central Ave & Indian School Rd.		14:30	
41 / West / 139 / 20161926		Central Ave & Indian School Rd.		10:29		Central Ave & Indian School Rd.		14:34	
32nd St & Indian School Rd....	6:39	19th Ave & Indian School Rd.....		10:38		19th Ave & Indian School Rd.....		14:43	
24th St & Indian School Rd.....	6:46	43rd Ave & Indian School Rd.....		10:54		43rd Ave & Indian School Rd.....		15:00	
Central Ave & Indian School Rd.	7:00	59th Ave & Indian School Rd.....		11:04		59th Ave & Indian School Rd..		15:10	
Central Ave & Indian School Rd.	7:04	83rd Ave & Indian School Rd..		11:17					
19th Ave & Indian School Rd.....	7:12					Travel by		CAR	
43rd Ave & Indian School Rd.....	7:28	Deadhead				Car Pull			
59th Ave & Indian School Rd...	7:38	83rd Ave & Indian School Rd..		11:17		59th Ave & Indian School Rd...		15:10	
		51st Ave & Thomas Rd.....		11:34		West Transit Facility.....		15:31	
Deadhead		29 / East / 133 / 20161366				29 / East / 133 / 20161379			
59th Ave & Indian School Rd...	7:38	51st Ave & Thomas Rd.....		12:31		51st Ave & Thomas Rd.....		15:25	
59th Ave & Indian School Rd...	7:44	35th Ave & Thomas Rd.....		12:38		35th Ave & Thomas Rd.....		15:33	
		19th Ave & Thomas Rd.....		12:48		19th Ave & Thomas Rd.....		15:44	
41 / East / 137 / 20161889		Central Ave & Thomas Rd.....		13:00		Central Ave & Thomas Rd.....		15:56	
59th Ave & Indian School Rd...	7:56	24th St & Thomas Rd.....		13:12		24th St & Thomas Rd.....		16:09	
43rd Ave & Indian School Rd.....	8:05	44th St & Thomas Rd.....		13:28		44th St & Thomas Rd.....		16:27	
19th Ave & Indian School Rd.....	8:22								
Central Ave & Indian School Rd.	8:30								
Central Ave & Indian School Rd.	8:34								
24th St & Indian School Rd.....	8:48								
32nd St & Indian School Rd....	8:53								

Phoenix West

Effective: 01/22/2024

2086

Weekday

Duty Type	Block	Report Time	Start Place	Start Time	End Time	End Place	Clear Time	Paid Time	Seat Time
ST	2106	5:34	WEST	5:39	12:16	75LB			
	CAR		75LB	12:16	12:26	WEST	12:26	6h52	5h20

Sign-on	5:34	Deadhead			67 / South / 254 / 20161612				
		75th Ave & Camelback Rd.....		8:17	67th Ave & Union Hills Dr.....			10:52	
Block	2106	75th Ave & Camelback Rd.....		8:29	67th Ave & Thunderbird Rd.....			11:00	
					67th Ave & Olive Ave.....			11:09	
Pull Out		75 / South / 149 / 20161701			67th Ave & Glendale Ave.....			11:17	
West Transit Facility.....	5:54	75th Ave & Camelback Rd.....		8:36	67th Ave & Camelback Rd.....			11:26	
67th Ave & Union Hills Dr.....	6:22	Desert Sky TC.....		8:47	67th Ave & Thomas Rd.....			11:35	
		75th Ave & Van Buren St.....		8:58	67th Ave & Van Buren St.....			11:47	
67 / South / 254 / 20161591		75th Ave & Lower Buckeye Rd		9:02	Sierra Linda HS-South.....			11:55	
67th Ave & Union Hills Dr.....	6:22								
67th Ave & Thunderbird Rd.....	6:30	Deadhead			Deadhead				
67th Ave & Olive Ave.....	6:39	75th Ave & Lower Buckeye Rd		9:02	Sierra Linda HS-South.....			11:55	
67th Ave & Glendale Ave.....	6:48	Sierra Linda HS-North.....		9:07	75th Ave & Lower Buckeye Rd			12:00	
67th Ave & Camelback Rd.....	6:56								
67th Ave & Thomas Rd.....	7:06	67 / North / 108 / 20161223			Travel by			CAR	
67th Ave & Van Buren St.....	7:16	Sierra Linda HS-North.....		9:26	Car Pull				
Sierra Linda HS-South.....	7:25	67th Ave & Van Buren St.....		9:36	75th Ave & Lower Buckeye Rd			12:16	
		67th Ave & Thomas Rd.....		9:45	West Transit Facility.....			12:26	
Deadhead		67th Ave & Camelback Rd.....		9:54					
Sierra Linda HS-South.....	7:25	67th Ave & Glendale Ave.....		10:05	75 / North / 147 / 20161763				
75th Ave & Lower Buckeye Rd	7:30	67th Ave & Olive Ave.....		10:13	<i>75th Ave & Lower Buckeye Rd</i>			<i>12:16</i>	
		67th Ave & Thunderbird Rd.....		10:23	<i>75th Ave & Van Buren St.....</i>			<i>12:21</i>	
75 / North / 147 / 20161749		67th Ave & Union Hills Dr.....		10:33	<i>Desert Sky TC.....</i>			<i>12:37</i>	
75th Ave & Lower Buckeye Rd	7:46				<i>75th Ave & Camelback Rd.....</i>			<i>12:47</i>	
75th Ave & Van Buren St.....	7:52	Deadhead							
Desert Sky TC.....	8:07	67th Ave & Union Hills Dr.....		10:33					
75th Ave & Camelback Rd.....	8:17	67th Ave & Union Hills Dr.....		10:38					

Phoenix West

Effective: 01/22/2024

2087

Weekday

Duty Type	Block	Report Time	Start Place	Start Time	End Time	End Place	Clear Time	Paid Time	Seat Time
ST	2107	5:38	WEST	5:43	15:41	83MC	15:53	10h15	8h38
	CAR		83MC	15:41	15:53	WEST	15:53		

Sign-on	5:38	Deadhead				Travel by		CAR	
		Pebble Creek Pkwy & McDow		10:51					
Block	2107	Pebble Creek Pkwy & McDow		10:58		Car Pull			
						83rd Ave & McDowell Rd.....		15:41	
						West Transit Facility.....		15:53	
Pull Out		17 / East / 132 / 20160990							
West Transit Facility.....	5:58	Pebble Creek Pkwy & McDow		11:44					
Pebble Creek Pkwy & McDow	6:23	Litchfield Rd & McDowell Rd.....		11:51		99th Ave & McDowell Rd.....		15:49	
		99th Ave & McDowell Rd.....		12:06		Litchfield Rd & McDowell Rd...		16:04	
		83rd Ave & McDowell Rd.....		12:14		Pebble Creek Pkwy & McDow		16:11	
		67th Ave & McDowell Rd.....		12:21					
17 / East / 132 / 20161032		43rd Ave & McDowell Rd.....		12:34		17 / East / 132 / 20160964			
Pebble Creek Pkwy & McDow	6:23	19th Ave & McDowell Rd.....		12:50		Pebble Creek Pkwy & McDow		16:43	
Litchfield Rd & McDowell Rd.....	6:30	Central Ave & McDowell Rd.....		13:00		Litchfield Rd & McDowell Rd...		16:50	
99th Ave & McDowell Rd.....	6:45	24th St & McDowell Rd.....		13:15		99th Ave & McDowell Rd.....		17:05	
83rd Ave & McDowell Rd.....	6:53	44th St & McDowell Rd.....		13:27		83rd Ave & McDowell Rd.....		17:13	
67th Ave & McDowell Rd.....	7:00	52nd St & McDowell Rd.....		13:31		67th Ave & McDowell Rd.....		17:20	
43rd Ave & McDowell Rd.....	7:14	Scottsdale Rd & McDowell Rd...		13:40		43rd Ave & McDowell Rd.....		17:34	
19th Ave & McDowell Rd.....	7:30	Pima Rd & McDowell Rd.....		13:48		19th Ave & McDowell Rd.....		17:50	
Central Ave & McDowell Rd.....	7:40					Central Ave & McDowell Rd....		18:00	
24th St & McDowell Rd.....	7:54	Deadhead				24th St & McDowell Rd.....		18:15	
44th St & McDowell Rd.....	8:06	Pima Rd & McDowell Rd.....		13:48		44th St & McDowell Rd.....		18:27	
52nd St & McDowell Rd.....	8:10	McDowell Rd & Pima Rd West		13:55		52nd St & McDowell Rd.....		18:31	
Scottsdale Rd & McDowell Rd...	8:19					Scottsdale Rd & McDowell Rd		18:40	
Pima Rd & McDowell Rd.....	8:27	17 / West / 127 / 20161569				Pima Rd & McDowell Rd.....		18:48	
		McDowell Rd & Pima Rd West		14:10					
Deadhead		Scottsdale Rd & McDowell Rd...		14:17					
Pima Rd & McDowell Rd.....	8:27	52nd St & McDowell Rd.....		14:25					
Pima Rd & McDowell Rd.....	8:34	44th St & McDowell Rd.....		14:29					
		24th St & McDowell Rd.....		14:44					
17 / West / 127 / 20161615		Central Ave & McDowell Rd.....		14:57					
Pima Rd & McDowell Rd.....	8:50	19th Ave & McDowell Rd.....		15:05					
Scottsdale Rd & McDowell Rd....	8:57	43rd Ave & McDowell Rd.....		15:22					
52nd St & McDowell Rd.....	9:05	67th Ave & McDowell Rd.....		15:34					
44th St & McDowell Rd.....	9:09	83rd Ave & McDowell Rd.....		15:41					
24th St & McDowell Rd.....	9:24								
Central Ave & McDowell Rd.....	9:37								
19th Ave & McDowell Rd.....	9:45								
43rd Ave & McDowell Rd.....	10:02								
67th Ave & McDowell Rd.....	10:14								
83rd Ave & McDowell Rd.....	10:21								
99th Ave & McDowell Rd.....	10:29								
Litchfield Rd & McDowell Rd.....	10:44								
Pebble Creek Pkwy & McDow	10:51								

Phoenix West

Effective: 01/22/2024

2088

Weekday

Duty Type	Block	Report Time	Start Place	Start Time	End Time	End Place	Clear Time	Paid Time	Seat Time
ST	2108	5:39	WEST	5:44	13:54	WEST	13:54	8h15	6h43

Sign-on	5:39	Deadhead	Deadhead
		44th St & McDowell Rd.....	8:36 32nd St & Indian School Rd.... 12:08
Block	2108	32nd St & Indian School Rd....	8:46 44th St & Thomas Rd..... 12:15

Pull Out		41 / West / 141 / 20161918	29 / West / 35 / 20161265
West Transit Facility.....	5:59	32nd St & Indian School Rd....	9:04 44th St & Thomas Rd..... 12:27
44th St & McDowell Rd.....	6:39	24th St & Indian School Rd.....	9:11 24th St & Thomas Rd..... 12:39
		Central Ave & Indian School Rd.	9:25 Central Ave & Thomas Rd..... 12:53
17 / West / 124 / 20161211		Central Ave & Indian School Rd.	9:29 19th Ave & Thomas Rd..... 13:03
44th St & McDowell Rd.....	6:39	19th Ave & Indian School Rd.....	9:38 35th Ave & Thomas Rd..... 13:14
24th St & McDowell Rd.....	6:54	43rd Ave & Indian School Rd....	9:54 51st Ave & Thomas Rd..... 13:23
Central Ave & McDowell Rd.....	7:07	59th Ave & Indian School Rd.....	10:04 67th Ave & Thomas Rd..... 13:31
19th Ave & McDowell Rd.....	7:15	83rd Ave & Indian School Rd..	10:17 Desert Sky TC..... 13:40
43rd Ave & McDowell Rd.....	7:32		

Deadhead		Deadhead	Pull In
43rd Ave & McDowell Rd.....	7:32	83rd Ave & Indian School Rd..	10:17 Desert Sky TC..... 13:40
43rd Ave & McDowell Rd.....	7:37	83rd Ave & Indian School Rd..	10:27 West Transit Facility..... 13:54

		41 / East / 137 / 20161859	
17 / East / 123 / 20161116		83rd Ave & Indian School Rd..	11:02
43rd Ave & McDowell Rd.....	7:44	59th Ave & Indian School Rd.....	11:13
19th Ave & McDowell Rd.....	8:00	43rd Ave & Indian School Rd....	11:22
Central Ave & McDowell Rd.....	8:10	19th Ave & Indian School Rd.....	11:37
24th St & McDowell Rd.....	8:24	Central Ave & Indian School Rd.	11:45
44th St & McDowell Rd.....	8:36	Central Ave & Indian School Rd.	11:49
		24th St & Indian School Rd.....	12:03
		32nd St & Indian School Rd....	12:08

Phoenix West

Effective: 01/22/2024

2089

Weekday

Duty Type	Block	Report Time	Start Place	Start Time	End Time	End Place	Clear Time	Paid Time	Seat Time
ST	2119	6:02	WEST	6:07	14:41	83MC	14:53	8h51	6h48
	CAR		83MC	14:41	14:53	WEST	14:53		

Sign-on	6:02	17 / East / 132 / 20160999				Travel by		CAR	
		Pebble Creek Pkwy & McDow	10:25						
Block	2119	Litchfield Rd & McDowell Rd.....	10:32			Car Pull			
		99th Ave & McDowell Rd.....	10:47			83rd Ave & McDowell Rd.....	14:41		
Pull Out		83rd Ave & McDowell Rd.....	10:55			West Transit Facility.....	14:53		
West Transit Facility.....	6:22	67th Ave & McDowell Rd.....	11:02						
Pima Rd & McDowell Rd.....	7:10	43rd Ave & McDowell Rd.....	11:14						
		19th Ave & McDowell Rd.....	11:30			29 / East / 31 / 20161563			
17 / West / 127 / 20161633		Central Ave & McDowell Rd.....	11:40			93rd Ave & Thomas Rd.....	15:09		
Pima Rd & McDowell Rd.....	7:10	24th St & McDowell Rd.....	11:55			Thomas Rd at Desert Sky TC..	15:15		
Scottsdale Rd & McDowell Rd....	7:17	44th St & McDowell Rd.....	12:07			67th Ave & Thomas Rd.....	15:24		
52nd St & McDowell Rd.....	7:25	52nd St & McDowell Rd.....	12:11			51st Ave & Thomas Rd.....	15:33		
44th St & McDowell Rd.....	7:29	Scottsdale Rd & McDowell Rd....	12:19			35th Ave & Thomas Rd.....	15:41		
24th St & McDowell Rd.....	7:44	Pima Rd & McDowell Rd.....	12:27			19th Ave & Thomas Rd.....	15:52		
Central Ave & McDowell Rd.....	7:57					Central Ave & Thomas Rd.....	16:04		
19th Ave & McDowell Rd.....	8:05	Deadhead				24th St & Thomas Rd.....	16:17		
43rd Ave & McDowell Rd.....	8:22	Pima Rd & McDowell Rd.....	12:27			44th St & Thomas Rd.....	16:35		
67th Ave & McDowell Rd.....	8:34	Pima Rd & McDowell Rd.....	12:34			56th St & Thomas Rd.....	16:42		
83rd Ave & McDowell Rd.....	8:41					Scottsdale Rd & Thomas Rd...	16:49		
99th Ave & McDowell Rd.....	8:49	17 / West / 125 / 20161575				Pima Park.....	16:59		
Litchfield Rd & McDowell Rd.....	9:04	Pima Rd & McDowell Rd.....	13:10						
Pebble Creek Pkwy & McDow	9:11	Scottsdale Rd & McDowell Rd....	13:17						
		52nd St & McDowell Rd.....	13:25						
Deadhead		44th St & McDowell Rd.....	13:29						
Pebble Creek Pkwy & McDow	9:11	24th St & McDowell Rd.....	13:44						
Pebble Creek Pkwy & McDow	9:18	Central Ave & McDowell Rd.....	13:57						
		19th Ave & McDowell Rd.....	14:05						
		43rd Ave & McDowell Rd.....	14:22						
		67th Ave & McDowell Rd.....	14:34						
		83rd Ave & McDowell Rd.....	14:41						

Phoenix West

Effective: 01/22/2024

2090

Weekday

Duty Type	Block	Report Time	Start Place	Start Time	End Time	End Place	Clear Time	Paid Time	Seat Time
ST	2120	6:04	WEST	6:09	14:06	75LB			
	CAR		75LB	14:06	14:21	WEST	14:21	8h17	6h38

Sign-on	6:04	Deadhead	75 / North / 147 / 20161764
		75th Ave & Lower Buckeye Rd	9:32
Block	2120	Sierra Linda HS-North.....	9:37
			75th Ave & Van Buren St..... 12:50
			Desert Sky TC..... 13:07
Pull Out		67 / North / 108 / 20161220	75th Ave & Camelback Rd..... 13:17
West Transit Facility.....	6:24	Sierra Linda HS-North.....	9:56
67th Ave & Union Hills Dr.....	6:52	67th Ave & Van Buren St.....	10:06
		67th Ave & Thomas Rd.....	10:15
		67th Ave & Camelback Rd.....	10:24
		67th Ave & Glendale Ave.....	10:35
67 / South / 254 / 20161598		67th Ave & Olive Ave.....	10:43
67th Ave & Union Hills Dr.....	6:52	67th Ave & Thunderbird Rd.....	10:53
67th Ave & Thunderbird Rd.....	7:00	67th Ave & Union Hills Dr.....	11:03
67th Ave & Olive Ave.....	7:09		
67th Ave & Glendale Ave.....	7:18	Deadhead	
67th Ave & Camelback Rd.....	7:26	67th Ave & Union Hills Dr.....	11:03
67th Ave & Thomas Rd.....	7:36	67th Ave & Union Hills Dr.....	11:08
67th Ave & Van Buren St.....	7:46		
Sierra Linda HS-South.....	7:55		
		67 / South / 254 / 20161613	
Deadhead		67th Ave & Union Hills Dr.....	11:22
Sierra Linda HS-South.....	7:55	67th Ave & Thunderbird Rd.....	11:30
75th Ave & Lower Buckeye Rd	8:00	67th Ave & Olive Ave.....	11:39
		67th Ave & Glendale Ave.....	11:47
75 / North / 147 / 20161751		67th Ave & Camelback Rd.....	11:56
75th Ave & Lower Buckeye Rd	8:17	67th Ave & Thomas Rd.....	12:05
75th Ave & Van Buren St.....	8:22	67th Ave & Van Buren St.....	12:17
Desert Sky TC.....	8:37	Sierra Linda HS-South.....	12:25
75th Ave & Camelback Rd.....	8:47		
		67 / North / 108 / 20161197	
Deadhead		Sierra Linda HS-North.....	14:22
75th Ave & Camelback Rd.....	8:47	67th Ave & Van Buren St.....	14:33
75th Ave & Camelback Rd.....	8:59	67th Ave & Thomas Rd.....	14:44
		67th Ave & Camelback Rd.....	14:54
		67th Ave & Glendale Ave.....	15:06
		67th Ave & Olive Ave.....	15:13
		67th Ave & Thunderbird Rd.....	15:22
		67th Ave & Union Hills Dr.....	15:32
75 / South / 149 / 20161703			
75th Ave & Camelback Rd.....	9:06		
Desert Sky TC.....	9:17		
75th Ave & Van Buren St.....	9:28		
75th Ave & Lower Buckeye Rd	9:32		

Phoenix West

Effective: 01/22/2024

2091
Weekday

Duty Type	Block	Report Time	Start Place	Start Time	End Time	End Place	Clear Time	Paid Time	Seat Time
ST	2123	6:38	WEST	6:43	17:01	83MC	17:13	10h35	8h39
	CAR		83MC	17:01	17:13	WEST			

Sign-on	6:38	Deadhead			Travel by		CAR		
Block	2123	Pebble Creek Pkwy & McDow		12:11					
Pull Out		Pebble Creek Pkwy & McDow		12:18	Car Pull				
West Transit Facility.....	6:58	17 / East / 132 / 20160988			83rd Ave & McDowell Rd.....		17:01		
Pebble Creek Pkwy & McDow	7:23	Pebble Creek Pkwy & McDow		13:03	West Transit Facility.....		17:13		
17 / East / 132 / 20161022		Litchfield Rd & McDowell Rd.....		13:10	99th Ave & McDowell Rd.....		17:09		
Pebble Creek Pkwy & McDow	7:23	99th Ave & McDowell Rd.....		13:25	Litchfield Rd & McDowell Rd...		17:24		
Litchfield Rd & McDowell Rd.....	7:30	83rd Ave & McDowell Rd.....		13:33	Pebble Creek Pkwy & McDow		17:31		
99th Ave & McDowell Rd.....	7:45	67th Ave & McDowell Rd.....		13:40					
83rd Ave & McDowell Rd.....	7:53	43rd Ave & McDowell Rd.....		13:54	17 / East / 132 / 20160958				
67th Ave & McDowell Rd.....	8:00	19th Ave & McDowell Rd.....		14:10	Pebble Creek Pkwy & McDow		18:07		
43rd Ave & McDowell Rd.....	8:14	Central Ave & McDowell Rd.....		14:20	Litchfield Rd & McDowell Rd...		18:14		
19th Ave & McDowell Rd.....	8:30	24th St & McDowell Rd.....		14:35	99th Ave & McDowell Rd.....		18:29		
Central Ave & McDowell Rd.....	8:40	44th St & McDowell Rd.....		14:47	83rd Ave & McDowell Rd.....		18:37		
24th St & McDowell Rd.....	8:54	52nd St & McDowell Rd.....		14:51	67th Ave & McDowell Rd.....		18:44		
44th St & McDowell Rd.....	9:06	Scottsdale Rd & McDowell Rd...		15:00	43rd Ave & McDowell Rd.....		18:58		
52nd St & McDowell Rd.....	9:10	Pima Rd & McDowell Rd.....		15:08	19th Ave & McDowell Rd.....		19:12		
Scottsdale Rd & McDowell Rd...	9:19	Deadhead			Central Ave & McDowell Rd....		19:20		
Pima Rd & McDowell Rd.....	9:27	Pima Rd & McDowell Rd.....		15:08	24th St & McDowell Rd.....		19:32		
		Pima Rd & McDowell Rd.....		15:15	44th St & McDowell Rd.....		19:43		
Deadhead		17 / West / 127 / 20161558			52nd St & McDowell Rd.....		19:47		
Pima Rd & McDowell Rd.....	9:27	Pima Rd & McDowell Rd.....		15:30	Scottsdale Rd & McDowell Rd...		19:54		
Pima Rd & McDowell Rd.....	9:34	Scottsdale Rd & McDowell Rd...		15:37	52nd St & McDowell Rd.....		20:02		
17 / West / 127 / 20161602		52nd St & McDowell Rd.....		15:45	44th St & McDowell Rd.....				
Pima Rd & McDowell Rd.....	10:10	44th St & McDowell Rd.....		15:49	24th St & McDowell Rd.....				
Scottsdale Rd & McDowell Rd....	10:17	24th St & McDowell Rd.....		16:04	Central Ave & McDowell Rd.....				
52nd St & McDowell Rd.....	10:25	Central Ave & McDowell Rd.....		16:17	19th Ave & McDowell Rd.....				
44th St & McDowell Rd.....	10:29	19th Ave & McDowell Rd.....		16:25	43rd Ave & McDowell Rd.....				
24th St & McDowell Rd.....	10:44	43rd Ave & McDowell Rd.....		16:42	67th Ave & McDowell Rd.....				
Central Ave & McDowell Rd.....	10:57	67th Ave & McDowell Rd.....		16:54	83rd Ave & McDowell Rd.....		17:01		
19th Ave & McDowell Rd.....	11:05	83rd Ave & McDowell Rd.....							
43rd Ave & McDowell Rd.....	11:22	99th Ave & McDowell Rd.....							
67th Ave & McDowell Rd.....	11:34	Litchfield Rd & McDowell Rd.....							
83rd Ave & McDowell Rd.....	11:41	Pebble Creek Pkwy & McDow							
99th Ave & McDowell Rd.....	11:49								
Litchfield Rd & McDowell Rd.....	12:04								
Pebble Creek Pkwy & McDow	12:11								

Phoenix West

Effective: 01/22/2024

2092

Weekday

Duty Type	Block	Report Time	Start Place	Start Time	End Time	End Place	Clear Time	Paid Time	Seat Time
ST	2127	8:00	WEST	8:05	17:28	WEST	17:28	9h28	7h30

Sign-on	8:00	Deadhead	Deadhead
		Desert Sky TC.....	11:40 43rd Ave & McDowell Rd..... 14:32
Block	2127	83rd Ave & Indian School Rd..	11:46 43rd Ave & McDowell Rd..... 14:37
Pull Out		41 / East / 137 / 20161861	17 / East / 123 / 20161126
West Transit Facility.....	8:20	83rd Ave & Indian School Rd..	12:00 43rd Ave & McDowell Rd..... 14:44
83rd Ave & Indian School Rd..	8:32	59th Ave & Indian School Rd.....	12:11 19th Ave & McDowell Rd..... 15:00
		43rd Ave & Indian School Rd.....	12:20 Central Ave & McDowell Rd..... 15:10
		19th Ave & Indian School Rd.....	12:35 24th St & McDowell Rd..... 15:25
41 / East / 137 / 20161866		Central Ave & Indian School Rd.	12:45 44th St & McDowell Rd..... 15:37
83rd Ave & Indian School Rd..	8:32	Central Ave & Indian School Rd.	12:49
59th Ave & Indian School Rd.....	8:43	24th St & Indian School Rd.....	13:03
43rd Ave & Indian School Rd.....	8:52	32nd St & Indian School Rd....	13:08 44th St & McDowell Rd..... 15:37
19th Ave & Indian School Rd.....	9:07		44th St & Thomas Rd..... 15:42
Central Ave & Indian School Rd.	9:15	Deadhead	
Central Ave & Indian School Rd.	9:19	32nd St & Indian School Rd....	13:08 29 / West / 134 / 20161288
24th St & Indian School Rd.....	9:33	44th St & McDowell Rd.....	13:18 44th St & Thomas Rd..... 15:56
32nd St & Indian School Rd....	9:38		24th St & Thomas Rd..... 16:09
		17 / West / 124 / 20161228	Central Ave & Thomas Rd..... 16:28
Deadhead		44th St & McDowell Rd.....	13:39 19th Ave & Thomas Rd..... 16:39
32nd St & Indian School Rd....	9:38	24th St & McDowell Rd.....	13:54 35th Ave & Thomas Rd..... 16:55
44th St & Thomas Rd.....	9:45	Central Ave & McDowell Rd.....	14:07 51st Ave & Thomas Rd..... 17:06
		19th Ave & McDowell Rd.....	
29 / West / 35 / 20161261		43rd Ave & McDowell Rd.....	14:32
44th St & Thomas Rd.....	10:27		
24th St & Thomas Rd.....	10:39	Pull In	51st Ave & Thomas Rd..... 17:06
Central Ave & Thomas Rd.....	10:53		West Transit Facility..... 17:28
19th Ave & Thomas Rd.....	11:03		
35th Ave & Thomas Rd.....	11:15		
51st Ave & Thomas Rd.....	11:24		
67th Ave & Thomas Rd.....	11:32		
Desert Sky TC.....	11:40		

Phoenix West

Effective: 01/22/2024

2093

Weekday

Duty Type	Block	Report Time	Start Place	Start Time	End Time	End Place	Clear Time	Paid Time	Seat Time
ST	2128	8:19	WEST	8:24	17:34	WEST	17:34	9h15	6h51

Sign-on	8:19	41 / West / 141 / 20161916		29 / West / 134 / 20161275
		32nd St & Indian School Rd....	11:04	44th St & Thomas Rd..... 14:27
Block	2128	24th St & Indian School Rd.....	11:11	24th St & Thomas Rd..... 14:39
		Central Ave & Indian School Rd.	11:25	Central Ave & Thomas Rd..... 14:52
Pull Out		Central Ave & Indian School Rd.	11:29	19th Ave & Thomas Rd..... 15:02
West Transit Facility.....	8:39	19th Ave & Indian School Rd.....	11:38	35th Ave & Thomas Rd..... 15:18
Thomas Rd at Desert Sky TC..	8:53	43rd Ave & Indian School Rd....	11:54	51st Ave & Thomas Rd..... 15:29
		59th Ave & Indian School Rd.....	12:04	
		83rd Ave & Indian School Rd..	12:17	
29 / East / 133 / 20161218				Deadhead
Thomas Rd at Desert Sky TC..	8:53			51st Ave & Thomas Rd..... 15:29
67th Ave & Thomas Rd.....	9:00	Deadhead		51st Ave & Thomas Rd..... 15:35
51st Ave & Thomas Rd.....	9:07	83rd Ave & Indian School Rd..	12:17	
35th Ave & Thomas Rd.....	9:15	59th Ave & Indian School Rd...	12:31	29 / East / 133 / 20161384
19th Ave & Thomas Rd.....	9:26			51st Ave & Thomas Rd..... 15:57
Central Ave & Thomas Rd.....	9:39	41 / East / 137 / 20161884		35th Ave & Thomas Rd..... 16:05
24th St & Thomas Rd.....	9:50	59th Ave & Indian School Rd...	13:15	19th Ave & Thomas Rd..... 16:16
44th St & Thomas Rd.....	10:06	43rd Ave & Indian School Rd....	13:24	Central Ave & Thomas Rd..... 16:28
		19th Ave & Indian School Rd.....	13:40	24th St & Thomas Rd..... 16:41
Deadhead		Central Ave & Indian School Rd.	13:50	44th St & Thomas Rd..... 16:59
44th St & Thomas Rd.....	10:06	Central Ave & Indian School Rd.	13:54	
32nd St & Indian School Rd....	10:13	24th St & Indian School Rd.....	14:08	Pull In
		32nd St & Indian School Rd....	14:13	44th St & Thomas Rd..... 16:59
				West Transit Facility..... 17:34
		Deadhead		
		32nd St & Indian School Rd....	14:13	
		44th St & Thomas Rd.....	14:20	

Phoenix West

Effective: 01/22/2024

2094

Weekday

Duty Type	Block	Report Time	Start Place	Start Time	End Time	End Place	Clear Time	Paid Time	Seat Time
ST	CAR	8:57	WEST	9:02	9:14	83MC	19:11	10h14	8h33
	2052		83MC	9:14	19:11	WEST			

Sign-on	8:57	17 / West / 127 / 20161589		Deadhead
		Pima Rd & McDowell Rd.....	11:30	Pima Rd & McDowell Rd.....
Travel by	CAR	Scottsdale Rd & McDowell Rd....	11:37	McDowell Rd & Pima Rd West
		52nd St & McDowell Rd.....	11:45	16:28
Car Pull		44th St & McDowell Rd.....	11:49	16:35
West Transit Facility.....	9:02	24th St & McDowell Rd.....	12:04	-----
83rd Ave & McDowell Rd.....	9:14	Central Ave & McDowell Rd.....	12:17	17 / West / 127 / 20161549
		19th Ave & McDowell Rd.....	12:25	McDowell Rd & Pima Rd West
Block	2052	43rd Ave & McDowell Rd.....	12:42	Scottsdale Rd & McDowell Rd....
		67th Ave & McDowell Rd.....	12:54	16:57
		83rd Ave & McDowell Rd.....	13:01	52nd St & McDowell Rd.....
17 / East / 132 / 20160968		99th Ave & McDowell Rd.....	13:09	17:05
83rd Ave & McDowell Rd.....	9:14	Litchfield Rd & McDowell Rd.....	13:24	44th St & McDowell Rd.....
67th Ave & McDowell Rd.....	9:21	Pebble Creek Pkwy & McDow	13:31	24th St & McDowell Rd.....
43rd Ave & McDowell Rd.....	9:34	-----	-----	Central Ave & McDowell Rd.....
19th Ave & McDowell Rd.....	9:50	Deadhead		19th Ave & McDowell Rd.....
Central Ave & McDowell Rd.....	10:00	Pebble Creek Pkwy & McDow	13:31	43rd Ave & McDowell Rd.....
24th St & McDowell Rd.....	10:15	Pebble Creek Pkwy & McDow	13:38	67th Ave & McDowell Rd.....
44th St & McDowell Rd.....	10:27			83rd Ave & McDowell Rd.....
52nd St & McDowell Rd.....	10:31	17 / East / 132 / 20160979		99th Ave & McDowell Rd.....
Scottsdale Rd & McDowell Rd....	10:39	Pebble Creek Pkwy & McDow	14:23	Litchfield Rd & McDowell Rd.....
Pima Rd & McDowell Rd.....	10:47	Litchfield Rd & McDowell Rd.....	14:30	99th Ave & McDowell Rd.....
-----	-----	99th Ave & McDowell Rd.....	14:45	83rd Ave & McDowell Rd.....
Deadhead		83rd Ave & McDowell Rd.....	14:53	67th Ave & McDowell Rd.....
Pima Rd & McDowell Rd.....	10:47	67th Ave & McDowell Rd.....	15:00	43rd Ave & McDowell Rd.....
Pima Rd & McDowell Rd.....	10:54	43rd Ave & McDowell Rd.....	15:14	19th Ave & McDowell Rd.....
-----	-----	19th Ave & McDowell Rd.....	15:30	Central Ave & McDowell Rd.....
		Central Ave & McDowell Rd.....	15:40	24th St & McDowell Rd.....
		24th St & McDowell Rd.....	15:55	44th St & McDowell Rd.....
		44th St & McDowell Rd.....	16:07	52nd St & McDowell Rd.....
		52nd St & McDowell Rd.....	16:11	Scottsdale Rd & McDowell Rd....
		Scottsdale Rd & McDowell Rd....	16:20	Pima Rd & McDowell Rd.....
		Pima Rd & McDowell Rd.....	16:28	-----
		-----	-----	Pull In
				Pebble Creek Pkwy & McDow
				West Transit Facility.....
				18:51
				19:11

Phoenix West

Effective: 01/22/2024

2095

Weekday

Duty Type	Block	Report Time	Start Place	Start Time	End Time	End Place	Clear Time	Paid Time	Seat Time
ST	2129	9:19	WEST	9:24	18:21	WEST	18:21	9h02	6h57

Sign-on	9:19	41 / West / 141 / 20161911				29 / West / 134 / 20161281			
		32nd St & Indian School Rd....	12:04			44th St & Thomas Rd.....			15:08
Block	2129	24th St & Indian School Rd.....	12:11			24th St & Thomas Rd.....			15:21
		Central Ave & Indian School Rd.	12:25			Central Ave & Thomas Rd.....			15:40
Pull Out		Central Ave & Indian School Rd.	12:29			19th Ave & Thomas Rd.....			15:51
West Transit Facility.....	9:39	19th Ave & Indian School Rd.....	12:38			35th Ave & Thomas Rd.....			16:07
Thomas Rd at Desert Sky TC..	9:53	43rd Ave & Indian School Rd....	12:55			51st Ave & Thomas Rd.....			16:18
		59th Ave & Indian School Rd.....	13:05						
		83rd Ave & Indian School Rd..	13:18						
29 / East / 133 / 20161205						Deadhead			
Thomas Rd at Desert Sky TC..	9:53					51st Ave & Thomas Rd.....			16:18
67th Ave & Thomas Rd.....	10:00	Deadhead				51st Ave & Thomas Rd.....			16:24
51st Ave & Thomas Rd.....	10:07	83rd Ave & Indian School Rd..	13:18						
35th Ave & Thomas Rd.....	10:15	59th Ave & Indian School Rd...	13:32						
19th Ave & Thomas Rd.....	10:26					29 / East / 133 / 20161391			
Central Ave & Thomas Rd.....	10:39	41 / East / 137 / 20161882				51st Ave & Thomas Rd.....			16:47
24th St & Thomas Rd.....	10:50	59th Ave & Indian School Rd...	13:55			35th Ave & Thomas Rd.....			16:54
44th St & Thomas Rd.....	11:06	43rd Ave & Indian School Rd....	14:04			19th Ave & Thomas Rd.....			17:05
		19th Ave & Indian School Rd.....	14:20			Central Ave & Thomas Rd.....			17:16
Deadhead		Central Ave & Indian School Rd.	14:30			24th St & Thomas Rd.....			17:28
44th St & Thomas Rd.....	11:06	Central Ave & Indian School Rd.	14:34			44th St & Thomas Rd.....			17:46
32nd St & Indian School Rd....	11:13	24th St & Indian School Rd.....	14:48						
		32nd St & Indian School Rd....	14:53			Pull In			
						44th St & Thomas Rd.....			17:46
						West Transit Facility.....			18:21
		Deadhead							
		32nd St & Indian School Rd....	14:53						
		44th St & Thomas Rd.....	15:00						

Phoenix West

Effective: 01/22/2024

2096
Weekday

Duty Type	Block	Report Time	Start Place	Start Time	End Time	End Place	Clear Time	Paid Time	Seat Time
ST	CAR 2102	9:24	WEST DSTC	9:29 9:43	9:43 19:57	DSTC WEST	19:57	10h33	9h03

Sign-on	9:24	MARY / ClkWs / 786 / 20162029		MARY / ClkWs / 786 / 20162030
		Desert Sky TC.....	14:00	Desert Sky TC.....
Travel by	CAR	59th Ave & Thomas Rd.....	14:11	59th Ave & Thomas Rd.....
		67th Ave & Campbell Ave.....	14:22	67th Ave & Campbell Ave.....
Car Pull		51st Ave & Indian School Rd.....	14:33	51st Ave & Indian School Rd.....
West Transit Facility.....	9:29	55th Ave & Encanto Blvd.....	14:45	55th Ave & Encanto Blvd.....
Desert Sky TC.....	9:43	63rd Ave & Fillmore St.....	14:54	63rd Ave & Fillmore St.....
		75th Ave & Encanto Blvd.....	15:08	75th Ave & Encanto Blvd.....
Block	2102	83rd Ave & Osborn Rd.....	15:25	83rd Ave & Osborn Rd.....
		Desert Sky TC.....	15:43	Desert Sky TC.....
-----		-----		
MARY / ClkWs / 786 / 20162022		MARY / ClkWs / 786 / 20162032		Pull In
Desert Sky TC.....	10:00	Desert Sky TC.....	16:00	Desert Sky TC.....
59th Ave & Thomas Rd.....	10:11	59th Ave & Thomas Rd.....	16:11	West Transit Facility.....
67th Ave & Campbell Ave.....	10:22	67th Ave & Campbell Ave.....	16:22	19:43
51st Ave & Indian School Rd.....	10:33	51st Ave & Indian School Rd.....	16:33	19:57
55th Ave & Encanto Blvd.....	10:45	55th Ave & Encanto Blvd.....	16:45	
63rd Ave & Fillmore St.....	10:54	63rd Ave & Fillmore St.....	16:54	
75th Ave & Encanto Blvd.....	11:08	75th Ave & Encanto Blvd.....	17:08	
83rd Ave & Osborn Rd.....	11:25	83rd Ave & Osborn Rd.....	17:25	
Desert Sky TC.....	11:43	Desert Sky TC.....	17:43	
-----		-----		
MARY / ClkWs / 786 / 20162027				
Desert Sky TC.....	12:00			
59th Ave & Thomas Rd.....	12:11			
67th Ave & Campbell Ave.....	12:22			
51st Ave & Indian School Rd.....	12:33			
55th Ave & Encanto Blvd.....	12:45			
63rd Ave & Fillmore St.....	12:54			
75th Ave & Encanto Blvd.....	13:08			
83rd Ave & Osborn Rd.....	13:25			
Desert Sky TC.....	13:43			

Phoenix West

Effective: 01/22/2024

2097

Weekday

Duty Type	Block	Report Time	Start Place	Start Time	End Time	End Place	Clear Time	Paid Time	Seat Time
ST	2130	9:34	WEST	9:39	19:24	WEST	19:24	9h50	7h49

Sign-on	9:34	51 / South / 27 / 20161010				51 / South / 27 / 20161033			
		ASU West Campus.....		13:27		ASU West Campus.....			16:20
Block	2130	51st Ave & Olive Ave.....		13:40		51st Ave & Olive Ave.....			16:34
		51st Ave & Glendale Ave.....		13:48		51st Ave & Glendale Ave.....			16:43
Pull Out		51st Ave & Camelback Rd.....		13:55		51st Ave & Camelback Rd.....			16:51
West Transit Facility.....	9:54	51st Ave & Thomas Rd.....		14:04		51st Ave & Thomas Rd.....			17:01
ASU West Campus.....	10:27	51st Ave & Van Buren St.....		14:15		51st Ave & Van Buren St.....			17:14
		51st Ave & Lower Buckeye Rd...		14:22		51st Ave & Lower Buckeye Rd...			17:22
51 / South / 27 / 20160991		51st Ave & Baseline Rd.....		14:30		51st Ave & Baseline Rd.....			17:31
ASU West Campus.....	10:27								
51st Ave & Olive Ave.....	10:40	Deadhead				Deadhead			
51st Ave & Glendale Ave.....	10:48	51st Ave & Baseline Rd.....		14:30		51st Ave & Baseline Rd.....			17:31
51st Ave & Camelback Rd.....	10:55	51st Ave & Baseline Rd.....		14:35		51st Ave & Baseline Rd.....			17:36
51st Ave & Thomas Rd.....	11:04								
51st Ave & Van Buren St.....	11:15	51 / North / 206 / 20161326				51 / North / 206 / 20161330			
51st Ave & Lower Buckeye Rd...	11:22	51st Ave & Baseline Rd.....		14:45		51st Ave & Baseline Rd.....			17:47
51st Ave & Baseline Rd.....	11:30	51st Ave & Lower Buckeye Rd...		14:53		51st Ave & Lower Buckeye Rd...			17:55
		51st Ave & Van Buren St.....		15:02		51st Ave & Van Buren St.....			18:03
Deadhead		51st Ave & Thomas Rd.....		15:13		51st Ave & Thomas Rd.....			18:14
51st Ave & Baseline Rd.....	11:30	51st Ave & Camelback Rd.....		15:23		51st Ave & Camelback Rd.....			18:24
51st Ave & Baseline Rd.....	11:35	51st Ave & Glendale Ave.....		15:31		51st Ave & Glendale Ave.....			18:32
		51st Ave & Olive Ave.....		15:38		51st Ave & Olive Ave.....			18:39
51 / North / 206 / 20161317		ASU West Campus.....		15:53		ASU West Campus.....			18:51
51st Ave & Baseline Rd.....	11:48								
51st Ave & Lower Buckeye Rd...	11:56	Pull In				Pull In			
51st Ave & Van Buren St.....	12:03	ASU West Campus.....				ASU West Campus.....			18:51
51st Ave & Thomas Rd.....	12:12	West Transit Facility.....				West Transit Facility.....			19:24
51st Ave & Camelback Rd.....	12:21								
51st Ave & Glendale Ave.....	12:27								
51st Ave & Olive Ave.....	12:35								
ASU West Campus.....	12:47								

Phoenix West

Effective: 01/22/2024

2098
Weekday

Duty Type	Block	Report Time	Start Place	Start Time	End Time	End Place	Clear Time	Paid Time	Seat Time
ST	CAR 2122	9:34	WEST 83IN	9:39 9:52	9:52 18:24	83IN WEST	18:24	8h50	6h56

Sign-on	9:34	29 / West / 35 / 20161264	41 / West / 139 / 20161907
		44th St & Thomas Rd.....	11:57
Travel by	CAR	24th St & Thomas Rd.....	12:09
		Central Ave & Thomas Rd.....	12:23
Car Pull		19th Ave & Thomas Rd.....	12:33
West Transit Facility.....	9:39	35th Ave & Thomas Rd.....	12:45
83rd Ave & Indian School Rd..	9:52	51st Ave & Thomas Rd.....	12:54
		67th Ave & Thomas Rd.....	13:02
Block	2122	Desert Sky TC.....	13:11

41 / East / 137 / 20161864		Deadhead	
83rd Ave & Indian School Rd..	10:02	Desert Sky TC.....	13:11
59th Ave & Indian School Rd.....	10:13	51st Ave & Thomas Rd.....	13:23
43rd Ave & Indian School Rd.....	10:22	-----	
19th Ave & Indian School Rd.....	10:37	29 / East / 133 / 20161370	
Central Ave & Indian School Rd.	10:45	51st Ave & Thomas Rd.....	13:35
Central Ave & Indian School Rd.	10:49	35th Ave & Thomas Rd.....	13:42
24th St & Indian School Rd.....	11:03	19th Ave & Thomas Rd.....	13:52
32nd St & Indian School Rd....	11:08	Central Ave & Thomas Rd.....	14:04
		24th St & Thomas Rd.....	14:16
Deadhead		44th St & Thomas Rd.....	14:32
32nd St & Indian School Rd....	11:08	-----	
44th St & Thomas Rd.....	11:15	Deadhead	
		44th St & Thomas Rd.....	14:32
		32nd St & Indian School Rd....	14:39

		Pull In	
		32nd St & Indian School Rd....	17:32
		West Transit Facility.....	18:24

Phoenix West

Effective: 01/22/2024

2099
Weekday

Duty Type	Block	Report Time	Start Place	Start Time	End Time	End Place	Clear Time	Paid Time	Seat Time
ST	CAR 2109	9:38	WEST 83MC	9:43 9:55	9:55 20:01	83MC WEST	20:01	10h23	8h32

Sign-on	9:38	17 / West / 127 / 20161582				Deadhead			
		Pima Rd & McDowell Rd.....		12:10		Pima Rd & McDowell Rd.....		17:08	
Travel by	CAR	Scottsdale Rd & McDowell Rd....		12:17		Pima Rd & McDowell Rd.....		17:15	
		52nd St & McDowell Rd.....		12:25					
Car Pull		44th St & McDowell Rd.....		12:29		17 / West / 127 / 20161546			
West Transit Facility.....	9:43	24th St & McDowell Rd.....		12:44		Pima Rd & McDowell Rd.....		17:40	
83rd Ave & McDowell Rd.....	9:55	Central Ave & McDowell Rd.....		12:57		Scottsdale Rd & McDowell Rd....		17:47	
		19th Ave & McDowell Rd.....		13:05		52nd St & McDowell Rd.....		17:55	
Block	2109	43rd Ave & McDowell Rd.....		13:22		44th St & McDowell Rd.....		17:59	
		67th Ave & McDowell Rd.....		13:34		24th St & McDowell Rd.....		18:14	
17 / East / 132 / 20160970		83rd Ave & McDowell Rd.....		13:41		Central Ave & McDowell Rd.....		18:27	
83rd Ave & McDowell Rd.....	9:55	99th Ave & McDowell Rd.....		13:49		19th Ave & McDowell Rd.....		18:35	
67th Ave & McDowell Rd.....	10:02	Litchfield Rd & McDowell Rd....		14:04		43rd Ave & McDowell Rd.....		18:52	
43rd Ave & McDowell Rd.....	10:14	Pebble Creek Pkwy & McDow		14:11		67th Ave & McDowell Rd.....		19:04	
19th Ave & McDowell Rd.....	10:30					83rd Ave & McDowell Rd.....		19:11	
Central Ave & McDowell Rd.....	10:40	Deadhead				99th Ave & McDowell Rd.....		19:19	
24th St & McDowell Rd.....	10:55	Pebble Creek Pkwy & McDow		14:11		Litchfield Rd & McDowell Rd....		19:34	
44th St & McDowell Rd.....	11:07	Pebble Creek Pkwy & McDow		14:18		Pebble Creek Pkwy & McDow		19:41	
52nd St & McDowell Rd.....	11:11								
Scottsdale Rd & McDowell Rd....	11:19	17 / East / 132 / 20160975				Pull In			
Pima Rd & McDowell Rd.....	11:27	Pebble Creek Pkwy & McDow		15:03		Pebble Creek Pkwy & McDow		19:41	
		Litchfield Rd & McDowell Rd....		15:10		West Transit Facility.....		20:01	
Deadhead		99th Ave & McDowell Rd.....		15:25					
Pima Rd & McDowell Rd.....	11:27	83rd Ave & McDowell Rd.....		15:33					
Pima Rd & McDowell Rd.....	11:34	67th Ave & McDowell Rd.....		15:40					
		43rd Ave & McDowell Rd.....		15:54					
		19th Ave & McDowell Rd.....		16:10					
		Central Ave & McDowell Rd.....		16:20					
		24th St & McDowell Rd.....		16:35					
		44th St & McDowell Rd.....		16:47					
		52nd St & McDowell Rd.....		16:51					
		Scottsdale Rd & McDowell Rd....		17:00					
		Pima Rd & McDowell Rd.....		17:08					

Phoenix West

Effective: 01/22/2024

2100
Weekday

Duty Type	Block	Report Time	Start Place	Start Time	End Time	End Place	Clear Time	Paid Time	Seat Time
ST	CAR 2048	9:47	WEST 75LB	9:52 10:02	10:02 19:12	75LB WEST	19:12	9h25	7h46

Sign-on	9:47	Deadhead	67 / South / 254 / 20161629
Travel by	CAR	Sierra Linda HS-South.....	12:57 67th Ave & Union Hills Dr.....
Car Pull		75th Ave & Lower Buckeye Rd	13:02 67th Ave & Thunderbird Rd.....
West Transit Facility.....	9:52	75 / North / 147 / 20161769	67th Ave & Olive Ave.....
75th Ave & Lower Buckeye Rd	10:02	75th Ave & Lower Buckeye Rd	13:15 67th Ave & Glendale Ave.....
Block	2048	75th Ave & Van Buren St.....	13:20 67th Ave & Camelback Rd.....
		Desert Sky TC.....	13:37 67th Ave & Thomas Rd.....
		75th Ave & Camelback Rd.....	13:47 67th Ave & Van Buren St.....
			17:18 Sierra Linda HS-South.....
			17:27
Deadhead		Deadhead	Deadhead
75th Ave & Lower Buckeye Rd	10:02	75th Ave & Camelback Rd.....	13:47 Sierra Linda HS-South.....
Sierra Linda HS-North.....	10:07	75th Ave & Camelback Rd.....	13:59 75th Ave & Lower Buckeye Rd
			17:27
			17:32
67 / North / 108 / 20161213		75 / South / 149 / 20161712	75 / North / 147 / 20161779
Sierra Linda HS-North.....	10:26	75th Ave & Camelback Rd.....	14:06 75th Ave & Lower Buckeye Rd
67th Ave & Van Buren St.....	10:36	Desert Sky TC.....	14:17 75th Ave & Van Buren St.....
67th Ave & Thomas Rd.....	10:45	75th Ave & Van Buren St.....	14:30 Desert Sky TC.....
67th Ave & Camelback Rd.....	10:54	75th Ave & Lower Buckeye Rd	14:36 75th Ave & Camelback Rd.....
67th Ave & Glendale Ave.....	11:05		18:17
67th Ave & Olive Ave.....	11:13	Deadhead	Deadhead
67th Ave & Thunderbird Rd.....	11:23	75th Ave & Lower Buckeye Rd	14:36 75th Ave & Camelback Rd.....
67th Ave & Union Hills Dr.....	11:33	Sierra Linda HS-North.....	14:41 75th Ave & Camelback Rd.....
			18:17
			18:29
Deadhead		67 / North / 108 / 20161191	75 / South / 149 / 20161724
67th Ave & Union Hills Dr.....	11:33	Sierra Linda HS-North.....	14:52 75th Ave & Camelback Rd.....
67th Ave & Union Hills Dr.....	11:38	67th Ave & Van Buren St.....	15:03 Desert Sky TC.....
		67th Ave & Thomas Rd.....	15:14 75th Ave & Van Buren St.....
67 / South / 254 / 20161614		67th Ave & Camelback Rd.....	15:24 75th Ave & Lower Buckeye Rd
67th Ave & Union Hills Dr.....	11:52	67th Ave & Glendale Ave.....	15:36
67th Ave & Thunderbird Rd.....	12:00	67th Ave & Olive Ave.....	15:43
67th Ave & Olive Ave.....	12:09	67th Ave & Thunderbird Rd.....	15:52
67th Ave & Glendale Ave.....	12:17	67th Ave & Union Hills Dr.....	16:02 75th Ave & Lower Buckeye Rd
67th Ave & Camelback Rd.....	12:26		19:02 West Transit Facility.....
67th Ave & Thomas Rd.....	12:35	Deadhead	
67th Ave & Van Buren St.....	12:48	67th Ave & Union Hills Dr.....	16:02
Sierra Linda HS-South.....	12:57	67th Ave & Union Hills Dr.....	16:07

Phoenix West

Effective: 01/22/2024

2101
Weekday

Duty Type	Block	Report Time	Start Place	Start Time	End Time	End Place	Clear Time	Paid Time	Seat Time
ST	2131	9:49	WEST	9:54	17:47	WEST	17:47	7h58	6h14

Sign-on	9:49	17 / West / 124 / 20161225	17 / West / 124 / 20161232
		44th St & McDowell Rd.....	44th St & McDowell Rd.....
		12:39	14:59
Block	2131	24th St & McDowell Rd.....	24th St & McDowell Rd.....
		12:54	15:14
		Central Ave & McDowell Rd.....	Central Ave & McDowell Rd.....
		13:07	15:27
Pull Out		19th Ave & McDowell Rd.....	19th Ave & McDowell Rd.....
		13:15	15:35
West Transit Facility.....	10:09	43rd Ave & McDowell Rd.....	43rd Ave & McDowell Rd.....
Thomas Rd at Desert Sky TC..	10:23	13:32	15:52
-----		Deadhead	Deadhead
29 / East / 133 / 20161199		43rd Ave & McDowell Rd.....	43rd Ave & McDowell Rd.....
Thomas Rd at Desert Sky TC..	10:23	13:32	15:52
		43rd Ave & McDowell Rd.....	43rd Ave & McDowell Rd.....
		13:37	15:57
67th Ave & Thomas Rd.....	10:30	-----	
51st Ave & Thomas Rd.....	10:37	17 / East / 123 / 20161120	17 / East / 123 / 20161127
35th Ave & Thomas Rd.....	10:45	43rd Ave & McDowell Rd.....	43rd Ave & McDowell Rd.....
19th Ave & Thomas Rd.....	10:56	13:44	16:04
Central Ave & Thomas Rd.....	11:09	19th Ave & McDowell Rd.....	19th Ave & McDowell Rd.....
24th St & Thomas Rd.....	11:20	14:00	16:20
44th St & Thomas Rd.....	11:36	Central Ave & McDowell Rd.....	Central Ave & McDowell Rd.....
		14:10	16:30
		24th St & McDowell Rd.....	24th St & McDowell Rd.....
		14:25	16:45
		44th St & McDowell Rd.....	44th St & McDowell Rd.....
		14:37	16:57
-----		Deadhead	Pull In
44th St & Thomas Rd.....	11:36	44th St & McDowell Rd.....	44th St & McDowell Rd.....
44th St & McDowell Rd.....	11:41	14:37	16:57
		44th St & McDowell Rd.....	West Transit Facility.....
		14:47	17:47

Phoenix West

Effective: 01/22/2024

2102

Weekday

Duty Type	Block	Report Time	Start Place	Start Time	End Time	End Place	Clear Time	Paid Time	Seat Time
ST	CAR	9:51	WEST	9:56	10:04	83VB	19:54	10h03	8h24
	2023		83VB	10:04	19:54	WEST			

Sign-on	9:51	3 / West / 546 / 20162135			3 / West / 546 / 20162152
		Phoenix Zoo.....	13:09		Phoenix Zoo.....
Travel by	CAR	Galvin Pkwy & Van Buren St.....	13:12		Galvin Pkwy & Van Buren St.....
		44th St & Van Buren St.....	13:20		44th St & Van Buren St.....
Car Pull		24th St & Van Buren St.....	13:33		24th St & Van Buren St.....
West Transit Facility.....	9:56	2nd Ave & Van Buren St.....	13:48		2nd Ave & Van Buren St.....
83rd Ave & Van Buren St.....	10:04	19th Ave & Van Buren St.....	13:57		19th Ave & Van Buren St.....
		35th Ave & Van Buren St.....	14:07		35th Ave & Van Buren St.....
Block	2023	51st Ave & Van Buren St.....	14:17		51st Ave & Van Buren St.....
		67th Ave & Van Buren St.....	14:26		67th Ave & Van Buren St.....
3 / West / 546 / 20162116		83rd Ave & Van Buren St.....	14:34		83rd Ave & Van Buren St.....
83rd Ave & Van Buren St.....	10:04	99th Ave & Van Buren St.....	14:42		99th Ave & Van Buren St.....
99th Ave & Van Buren St.....	10:12	Avondale Civic Center.....	14:50		Avondale Civic Center.....
Avondale Civic Center.....	10:20	4th St & La Canada Blvd.....	15:01		4th St & La Canada Blvd.....
4th St & La Canada Blvd.....	10:31				
		3 / East / 86 / 20162080			Pull In
3 / East / 86 / 20162062		4th St & La Canada Blvd.....	15:23		4th St & La Canada Blvd.....
4th St & La Canada Blvd.....	10:53	Avondale Civic Center.....	15:37		West Transit Facility.....
Avondale Civic Center.....	11:07	99th Ave & Van Buren St.....	15:43		
99th Ave & Van Buren St.....	11:13	83rd Ave & Van Buren St.....	15:51		
83rd Ave & Van Buren St.....	11:21	67th Ave & Van Buren St.....	15:56		
67th Ave & Van Buren St.....	11:26	51st Ave & Van Buren St.....	16:09		
51st Ave & Van Buren St.....	11:39	35th Ave & Van Buren St.....	16:20		
35th Ave & Van Buren St.....	11:50	19th Ave & Van Buren St.....	16:31		
19th Ave & Van Buren St.....	12:01	Central Ave & Van Buren St.....	16:40		
Central Ave & Van Buren St.....	12:10	24th St & Van Buren St.....	16:54		
24th St & Van Buren St.....	12:24	44th St & Van Buren St.....	17:03		
44th St & Van Buren St.....	12:33	Galvin Pkwy & Van Buren St.....	17:10		
Galvin Pkwy & Van Buren St.....	12:40	Phoenix Zoo.....	17:14		
Phoenix Zoo.....	12:44				

Phoenix West

Effective: 01/22/2024

2103

Weekday

Duty Type	Block	Report Time	Start Place	Start Time	End Time	End Place	Clear Time	Paid Time	Seat Time
ST	CAR 2116	9:56	WEST DSTC	10:01 10:15	10:15 20:29	DSTC WEST	20:29	10h33	9h13

Sign-on	9:56	MARY / CCIkWs / 787 / 20162015	MARY / CCIkWs / 787 / 20162017
Desert Sky TC..... 14:30		Desert Sky TC..... 18:30	
Travel by	CAR	83rd Ave & Osborn Rd..... 14:46	83rd Ave & Osborn Rd..... 18:46
		75th Ave & Encanto Blvd..... 15:02	75th Ave & Encanto Blvd..... 19:02
Car Pull		63rd Ave & Fillmore St..... 15:14	63rd Ave & Fillmore St..... 19:14
West Transit Facility..... 10:01		55th Ave & Encanto Blvd..... 15:24	55th Ave & Encanto Blvd..... 19:24
Desert Sky TC..... 10:15		51st Ave & Indian School Rd..... 15:37	51st Ave & Indian School Rd..... 19:37
		67th Ave & Campbell Ave..... 15:48	67th Ave & Campbell Ave..... 19:48
Block	2116	59th Ave & Thomas Rd..... 15:59	59th Ave & Thomas Rd..... 19:59
		Desert Sky TC..... 16:15	Desert Sky TC..... 20:15
MARY / CCIkWs / 787 / 20162008		MARY / CCIkWs / 787 / 20162020	
Desert Sky TC..... 10:30		Desert Sky TC..... 16:30	Pull In
83rd Ave & Osborn Rd..... 10:46		83rd Ave & Osborn Rd..... 16:46	Desert Sky TC..... 20:15
75th Ave & Encanto Blvd..... 11:02		75th Ave & Encanto Blvd..... 17:02	West Transit Facility..... 20:29
63rd Ave & Fillmore St..... 11:14		63rd Ave & Fillmore St..... 17:14	
55th Ave & Encanto Blvd..... 11:24		55th Ave & Encanto Blvd..... 17:24	
51st Ave & Indian School Rd..... 11:37		51st Ave & Indian School Rd..... 17:37	
67th Ave & Campbell Ave..... 11:48		67th Ave & Campbell Ave..... 17:48	
59th Ave & Thomas Rd..... 11:59		59th Ave & Thomas Rd..... 17:59	
Desert Sky TC..... 12:15		Desert Sky TC..... 18:15	
MARY / CCIkWs / 787 / 20162013			
Desert Sky TC..... 12:30			
83rd Ave & Osborn Rd..... 12:46			
75th Ave & Encanto Blvd..... 13:02			
63rd Ave & Fillmore St..... 13:14			
55th Ave & Encanto Blvd..... 13:24			
51st Ave & Indian School Rd..... 13:37			
67th Ave & Campbell Ave..... 13:48			
59th Ave & Thomas Rd..... 13:59			
Desert Sky TC..... 14:15			

Phoenix West

Effective: 01/22/2024

2104

Weekday

Duty Type	Block	Report Time	Start Place	Start Time	End Time	End Place	Clear Time	Paid Time	Seat Time
ST	CAR 2111	9:54	WEST 107I-E	9:59 10:17	10:17 19:35	107I-E WEST	19:35	9h41	7h39

Sign-on	9:54	41 / West / 724 / 20161835	Deadhead
Travel by	CAR	Granite Reef Rd & Indian Sch	Granite Reef Rd & Indian Sch 17:28
Car Pull		Scottsdale Rd & Indian School	Pima Rd & Chaparral Rd..... 17:32
West Transit Facility.....	9:59	56th St & Indian School Rd.....	-----
107th Ave & Indian School Rd.	10:17	44th St & Indian School Rd.....	Deadhead
Block	2111	32nd St & Indian School Rd.....	Pima Rd & Chaparral Rd..... 17:47
		24th St & Indian School Rd.....	Granite Reef Rd & Indian Sch 17:51
		Central Ave & Indian School Rd.	-----
		Central Ave & Indian School Rd.	41 / West / 141 / 20161819
		19th Ave & Indian School Rd.....	Granite Reef Rd & Indian Sch 17:51
41 / East / 172 / 20161952		43rd Ave & Indian School Rd.....	Scottsdale Rd & Indian School
107th Ave & Indian School Rd.	10:38	59th Ave & Indian School Rd.....	56th St & Indian School Rd.....
83rd Ave & Indian School Rd.....	10:47	83rd Ave & Indian School Rd.....	44th St & Indian School Rd.....
59th Ave & Indian School Rd.....	10:58	107th Ave & Indian School Rd.	32nd St & Indian School Rd.....
43rd Ave & Indian School Rd.....	11:07		24th St & Indian School Rd.....
19th Ave & Indian School Rd.....	11:22	Deadhead	Central Ave & Indian School Rd.
Central Ave & Indian School Rd.	11:30	107th Ave & Indian School Rd.	Central Ave & Indian School Rd.
Central Ave & Indian School Rd.	11:34	107th Ave & Indian School Rd.	19th Ave & Indian School Rd.....
24th St & Indian School Rd.....	11:48		43rd Ave & Indian School Rd.....
32nd St & Indian School Rd.....	11:53	41 / East / 172 / 20161945	59th Ave & Indian School Rd.....
44th St & Indian School Rd.....	11:59	107th Ave & Indian School Rd.	43rd Ave & Indian School Rd.....
56th St & Indian School Rd.....	12:05	83rd Ave & Indian School Rd.....	19th Ave & Indian School Rd.....
Scottsdale Rd & Indian School	12:11	59th Ave & Indian School Rd.....	Central Ave & Indian School Rd.
Granite Reef Rd & Indian Sch	12:19	43rd Ave & Indian School Rd.....	Central Ave & Indian School Rd.
-----		19th Ave & Indian School Rd.....	24th St & Indian School Rd.....
Deadhead		Central Ave & Indian School Rd.	32nd St & Indian School Rd.....
Granite Reef Rd & Indian Sch	12:19	Central Ave & Indian School Rd.	44th St & Indian School Rd.....
Pima Rd & Chaparral Rd.....	12:23	Central Ave & Indian School Rd.	56th St & Indian School Rd.....
-----		24th St & Indian School Rd.....	Scottsdale Rd & Indian School
Deadhead		32nd St & Indian School Rd.....	Granite Reef Rd & Indian Sch 17:28
Pima Rd & Chaparral Rd.....	12:52	44th St & Indian School Rd.....	-----
Granite Reef Rd & Indian Sch	12:56	56th St & Indian School Rd.....	
-----		Scottsdale Rd & Indian School	
		Granite Reef Rd & Indian Sch	

Phoenix West

Effective: 01/22/2024

2105

Weekday

Duty Type	Block	Report Time	Start Place	Start Time	End Time	End Place	Clear Time	Paid Time	Seat Time
ST	CAR	10:00	WEST	10:05	10:17	83MC	18:26	8h26	7h13
	2121		83MC	10:17	18:26	WEST	18:26		

Sign-on	10:00	17 / West / 125 / 20161583		Deadhead
		Pima Rd & McDowell Rd.....	12:30	McDowell Rd & Pima Rd East
Travel by	CAR	Scottsdale Rd & McDowell Rd....	12:37	Granite Reef Rd & Indian Sch
		52nd St & McDowell Rd.....	12:45	
Car Pull		44th St & McDowell Rd.....	12:49	41 / West / 141 / 20161820
West Transit Facility.....	10:05	24th St & McDowell Rd.....	13:04	Granite Reef Rd & Indian Sch
83rd Ave & McDowell Rd.....	10:17	Central Ave & McDowell Rd.....	13:17	Scottsdale Rd & Indian School
		19th Ave & McDowell Rd.....	13:25	56th St & Indian School Rd.....
Block	2121	43rd Ave & McDowell Rd.....	13:42	44th St & Indian School Rd.....
		67th Ave & McDowell Rd.....	13:54	32nd St & Indian School Rd.....
		83rd Ave & McDowell Rd.....	14:01	24th St & Indian School Rd.....
				Central Ave & Indian School Rd.
17 / East / 132 / 20160973				Central Ave & Indian School Rd.
83rd Ave & McDowell Rd.....	10:35			19th Ave & Indian School Rd.....
67th Ave & McDowell Rd.....	10:42	Deadhead		43rd Ave & Indian School Rd....
43rd Ave & McDowell Rd.....	10:54	83rd Ave & McDowell Rd.....	14:01	59th Ave & Indian School Rd.....
19th Ave & McDowell Rd.....	11:10	83rd Ave & McDowell Rd.....	14:11	83rd Ave & Indian School Rd..
Central Ave & McDowell Rd.....	11:20			
24th St & McDowell Rd.....	11:35	17 / East / 132 / 20160984		
44th St & McDowell Rd.....	11:47	83rd Ave & McDowell Rd.....	14:33	
52nd St & McDowell Rd.....	11:51	67th Ave & McDowell Rd.....	14:40	Pull In
Scottsdale Rd & McDowell Rd....	11:59	43rd Ave & McDowell Rd.....	14:54	83rd Ave & Indian School Rd..
Pima Rd & McDowell Rd.....	12:07	19th Ave & McDowell Rd.....	15:10	West Transit Facility.....
		Central Ave & McDowell Rd.....	15:20	
Deadhead		24th St & McDowell Rd.....	15:35	
Pima Rd & McDowell Rd.....	12:07	44th St & McDowell Rd.....	15:47	
Pima Rd & McDowell Rd.....	12:14	52nd St & McDowell Rd.....	15:51	
		Scottsdale Rd & McDowell Rd....	16:00	
		McDowell Rd & Pima Rd East	16:08	

Phoenix West

Effective: 01/22/2024

2106

Weekday

Duty Type	Block	Report Time	Start Place	Start Time	End Time	End Place	Clear Time	Paid Time	Seat Time
ST	CAR 2114	10:04	WEST 37VB	10:09 10:24	10:24 20:04	37VB WEST	20:04	10h00	7h18

Sign-on	10:04	3 / East / 116 / 20162067	3 / West / 118 / 20162149
		35th Ave & Van Buren St.....	13:05
		44th St & Van Buren St.....	17:05
Travel by	CAR	19th Ave & Van Buren St.....	17:18
		Central Ave & Van Buren St.....	17:33
Car Pull		24th St & Van Buren St.....	17:42
West Transit Facility.....	10:09	44th St & Van Buren St.....	13:48
37th Av Layover.....	10:24	35th Ave & Van Buren St.....	17:52
		Deadhead	Deadhead
Block	2114	44th St & Van Buren St.....	13:48
		44th St Sky Train Station.....	13:53
		35th Ave & Van Buren St.....	17:52
		37th Av Layover.....	17:54
Deadhead		Deadhead	Deadhead
37th Av Layover.....	10:32	44th St Sky Train Station.....	14:30
35th Ave & Van Buren St.....	10:35	44th St & Van Buren St.....	14:35
		35th Ave & Van Buren St.....	18:02
		37th Av Layover.....	18:05
		3 / East / 116 / 20162058	3 / West / 118 / 20162139
35th Ave & Van Buren St.....	10:35	44th St & Van Buren St.....	14:35
19th Ave & Van Buren St.....	10:46	24th St & Van Buren St.....	14:48
Central Ave & Van Buren St.....	10:55	2nd Ave & Van Buren St.....	15:03
24th St & Van Buren St.....	11:09	19th Ave & Van Buren St.....	15:12
44th St & Van Buren St.....	11:18	35th Ave & Van Buren St.....	15:22
		44th St & Van Buren St.....	18:48
Deadhead		Deadhead	Deadhead
44th St & Van Buren St.....	11:18	35th Ave & Van Buren St.....	15:22
44th St Sky Train Station.....	11:23	37th Av Layover.....	15:24
		44th St & Van Buren St.....	18:48
		44th St Sky Train Station.....	18:53
Deadhead		Deadhead	Deadhead
44th St Sky Train Station.....	12:00	37th Av Layover.....	15:32
44th St & Van Buren St.....	12:05	35th Ave & Van Buren St.....	15:35
		44th St Sky Train Station.....	19:07
		44th St & Van Buren St.....	19:12
		3 / West / 118 / 20162130	3 / East / 116 / 20162077
44th St & Van Buren St.....	12:05	35th Ave & Van Buren St.....	15:35
24th St & Van Buren St.....	12:18	19th Ave & Van Buren St.....	15:46
2nd Ave & Van Buren St.....	12:33	Central Ave & Van Buren St.....	15:55
19th Ave & Van Buren St.....	12:42	24th St & Van Buren St.....	16:09
35th Ave & Van Buren St.....	12:52	44th St & Van Buren St.....	16:18
		35th Ave & Van Buren St.....	19:49
Deadhead		Deadhead	Deadhead
35th Ave & Van Buren St.....	12:52	44th St & Van Buren St.....	16:18
37th Av Layover.....	12:54	44th St Sky Train Station.....	16:23
		35th Ave & Van Buren St.....	19:49
		West Transit Facility.....	20:04
Deadhead		Deadhead	Deadhead
37th Av Layover.....	13:02	44th St Sky Train Station.....	17:00
35th Ave & Van Buren St.....	13:05	44th St & Van Buren St.....	17:05

Phoenix West

Effective: 01/22/2024

2107
Weekday

Duty Type	Block	Report Time	Start Place	Start Time	End Time	End Place	Clear Time	Paid Time	Seat Time
ST	CAR 2040	10:12	WEST 94TH	10:17 10:31	10:31 18:47	94TH WEST	18:47	8h35	7h27

Sign-on	10:12	29 / West / 199 / 20161425	29 / East / 31 / 20161562
Travel by	CAR	Pima Park.....	93rd Ave & Thomas Rd.....
Car Pull		Scottsdale Rd & Thomas Rd.....	Thomas Rd at Desert Sky TC....
West Transit Facility.....	10:17	56th St & Thomas Rd.....	67th Ave & Thomas Rd.....
94th Av Layover.....	10:31	44th St & Thomas Rd.....	51st Ave & Thomas Rd.....
		24th St & Thomas Rd.....	35th Ave & Thomas Rd.....
Block	2040	Central Ave & Thomas Rd.....	19th Ave & Thomas Rd.....
		19th Ave & Thomas Rd.....	Central Ave & Thomas Rd.....
Deadhead		35th Ave & Thomas Rd.....	24th St & Thomas Rd.....
94th Av Layover.....	10:31	51st Ave & Thomas Rd.....	44th St & Thomas Rd.....
93rd Ave & Thomas Rd.....	10:32	67th Ave & Thomas Rd.....	56th St & Thomas Rd.....
		Desert Sky TC.....	Scottsdale Rd & Thomas Rd.....
		Desert Sky TC.....	Pima Park.....
		93rd Ave & Thomas Rd.....	14:05
		-----	-----
29 / East / 31 / 20161547		Deadhead	29 / West / 35 / 20161404
93rd Ave & Thomas Rd.....	10:32	93rd Ave & Thomas Rd.....	Pima Park.....
Thomas Rd at Desert Sky TC....	10:38	94th Av Layover.....	Scottsdale Rd & Thomas Rd.....
67th Ave & Thomas Rd.....	10:45	-----	56th St & Thomas Rd.....
51st Ave & Thomas Rd.....	10:52	Deadhead	44th St & Thomas Rd.....
35th Ave & Thomas Rd.....	11:00	94th Av Layover.....	24th St & Thomas Rd.....
19th Ave & Thomas Rd.....	11:11	93rd Ave & Thomas Rd.....	Central Ave & Thomas Rd.....
Central Ave & Thomas Rd.....	11:24	-----	19th Ave & Thomas Rd.....
24th St & Thomas Rd.....	11:35		35th Ave & Thomas Rd.....
44th St & Thomas Rd.....	11:51		51st Ave & Thomas Rd.....
56th St & Thomas Rd.....	11:57		67th Ave & Thomas Rd.....
Scottsdale Rd & Thomas Rd.....	12:03		Desert Sky TC.....
Pima Park.....	12:12		-----
			Pull In
			Desert Sky TC.....
			West Transit Facility.....
			18:33
			18:47

Phoenix West

Effective: 01/22/2024

2108

Weekday

Duty Type	Block	Report Time	Start Place	Start Time	End Time	End Place	Clear Time	Paid Time	Seat Time
ST	CAR 2029	10:21	WEST DSTC	10:26 10:40	10:40 19:06	DSTC WEST	19:06	8h45	7h25

Sign-on	10:21	Deadhead	Deadhead
Travel by	CAR	93rd Ave & Thomas Rd.....	14:37
		107th Ave & Indian School Rd.	14:45
Car Pull		41 / East / 172 / 20161941	41 / West / 141 / 20161822
West Transit Facility.....	10:26	107th Ave & Indian School Rd.	15:02
Desert Sky TC.....	10:40	83rd Ave & Indian School Rd.....	15:12
		59th Ave & Indian School Rd.....	15:25
Block	2029	43rd Ave & Indian School Rd.....	15:34
		19th Ave & Indian School Rd.....	15:50
Deadhead		Central Ave & Indian School Rd.	16:00
Desert Sky TC.....	10:51	Central Ave & Indian School Rd.	16:04
Thomas Rd at Desert Sky TC..	10:53	24th St & Indian School Rd.....	16:17
		32nd St & Indian School Rd.....	16:22
		44th St & Indian School Rd.....	16:28
29 / East / 31 / 20161193		56th St & Indian School Rd.....	16:34
Thomas Rd at Desert Sky TC..	10:53	Scottsdale Rd & Indian School	16:40
67th Ave & Thomas Rd.....	11:00	Granite Reef Rd & Indian Sch	16:48
51st Ave & Thomas Rd.....	11:07		
35th Ave & Thomas Rd.....	11:15		
19th Ave & Thomas Rd.....	11:26	Deadhead	
Central Ave & Thomas Rd.....	11:39	Granite Reef Rd & Indian Sch	16:48
24th St & Thomas Rd.....	11:51	Pima Rd & Chaparral Rd.....	16:52
44th St & Thomas Rd.....	12:07		
56th St & Thomas Rd.....	12:13		
Scottsdale Rd & Thomas Rd.....	12:19		
Pima Park.....	12:28		
29 / West / 199 / 20161423			
Pima Park.....	12:56		
Scottsdale Rd & Thomas Rd.....	13:01		
56th St & Thomas Rd.....	13:07		
44th St & Thomas Rd.....	13:15		
24th St & Thomas Rd.....	13:27		
Central Ave & Thomas Rd.....	13:40		
19th Ave & Thomas Rd.....	13:50		
35th Ave & Thomas Rd.....	14:01		
51st Ave & Thomas Rd.....	14:10		
67th Ave & Thomas Rd.....	14:18		
Desert Sky TC.....	14:27		
Desert Sky TC.....	14:30		
93rd Ave & Thomas Rd.....	14:37		

Phoenix West

Effective: 01/22/2024

2109

Weekday

Duty Type	Block	Report Time	Start Place	Start Time	End Time	End Place	Clear Time	Paid Time	Seat Time
ST	CAR 2103	10:34	WEST 37VB	10:39 10:54	10:54 19:49	37VB WEST	19:49	9h15	6h47

Sign-on	10:34	Deadhead	Deadhead
Travel by	CAR	37th Av Layover..... 13:32	44th St & Van Buren St..... 16:48
Car Pull		35th Ave & Van Buren St..... 13:35	44th St Sky Train Station..... 16:53
West Transit Facility..... 10:39		19th Ave & Van Buren St..... 13:46	Deadhead
37th Av Layover..... 10:54		Central Ave & Van Buren St..... 13:55	44th St Sky Train Station..... 17:30
Block	2103	24th St & Van Buren St..... 14:09	44th St & Van Buren St..... 17:35
Deadhead		44th St & Van Buren St..... 14:18	3 / West / 118 / 20162151
37th Av Layover..... 11:02		Deadhead	24th St & Van Buren St..... 17:48
35th Ave & Van Buren St..... 11:05		44th St & Van Buren St..... 14:18	2nd Ave & Van Buren St..... 18:03
		44th St Sky Train Station..... 14:23	19th Ave & Van Buren St..... 18:12
3 / East / 116 / 20162060			35th Ave & Van Buren St..... 18:22
35th Ave & Van Buren St..... 11:05		Deadhead	Deadhead
19th Ave & Van Buren St..... 11:16		44th St Sky Train Station..... 15:00	35th Ave & Van Buren St..... 18:22
Central Ave & Van Buren St..... 11:25		44th St & Van Buren St..... 15:05	37th Av Layover..... 18:24
24th St & Van Buren St..... 11:39			
44th St & Van Buren St..... 11:48		3 / West / 118 / 20162141	Deadhead
Deadhead		44th St & Van Buren St..... 15:05	37th Av Layover..... 18:32
44th St & Van Buren St..... 11:48		24th St & Van Buren St..... 15:18	35th Ave & Van Buren St..... 18:35
44th St Sky Train Station..... 11:53		2nd Ave & Van Buren St..... 15:33	
Deadhead		19th Ave & Van Buren St..... 15:42	3 / East / 116 / 20162089
44th St Sky Train Station..... 12:30		35th Ave & Van Buren St..... 15:52	35th Ave & Van Buren St..... 18:35
44th St & Van Buren St..... 12:35		Deadhead	19th Ave & Van Buren St..... 18:46
3 / West / 118 / 20162128		35th Ave & Van Buren St..... 15:52	Central Ave & Van Buren St..... 18:55
44th St & Van Buren St..... 12:35		37th Av Layover..... 15:54	24th St & Van Buren St..... 19:06
24th St & Van Buren St..... 12:48		Deadhead	44th St & Van Buren St..... 19:14
2nd Ave & Van Buren St..... 13:03		37th Av Layover..... 16:02	Pull In
19th Ave & Van Buren St..... 13:12		35th Ave & Van Buren St..... 16:05	44th St & Van Buren St..... 19:14
35th Ave & Van Buren St..... 13:22		3 / East / 116 / 20162079	West Transit Facility..... 19:49
Deadhead		35th Ave & Van Buren St..... 16:05	
35th Ave & Van Buren St..... 13:22		19th Ave & Van Buren St..... 16:16	
37th Av Layover..... 13:24		Central Ave & Van Buren St..... 16:25	
		24th St & Van Buren St..... 16:39	
		44th St & Van Buren St..... 16:48	

Phoenix West

Effective: 01/22/2024

2110

Weekday

Duty Type	Block	Report Time	Start Place	Start Time	End Time	End Place	Clear Time	Paid Time	Seat Time
ST	CAR	10:48	WEST	10:53	11:04	51HD			
	2018		51HD	11:04	20:22	51HD			
	CAR		51HD	20:22	20:33	WEST	20:33	9h45	7h59

Sign-on	10:48	Deadhead				59 / North / 830 / 20161510			
		51st Ave & Hadley St.....		14:18		59th Ave & Buckeye Rd.....		17:20	
Travel by	CAR	59th Ave & Buckeye Rd.....		14:22		59th Ave & Van Buren St.....		17:22	
						59th Ave & Thomas Rd.....		17:33	
Car Pull		59 / North / 830 / 20161500				59th Ave & Camelback Rd.....		17:43	
West Transit Facility.....	10:53	59th Ave & Buckeye Rd.....		14:22		59th Ave & Glendale Ave.....		17:53	
51st Ave & Hadley St.....	11:04	59th Ave & Van Buren St.....		14:24		59th Ave & Olive Ave.....		18:03	
		59th Ave & Thomas Rd.....		14:33		59th Ave & Thunderbird Rd.....		18:15	
Block	2018	59th Ave & Camelback Rd.....		14:43		59th Ave & Bell Rd.....		18:24	
		59th Ave & Glendale Ave.....		14:54		59th Ave & Beardsley Rd.....		18:34	
Deadhead		59th Ave & Olive Ave.....		15:04					
51st Ave & Hadley St.....	11:20	59th Ave & Thunderbird Rd.....		15:16		59 / South / 220 / 20161458			
59th Ave & Buckeye Rd.....	11:24	59th Ave & Bell Rd.....		15:25		59th Ave & Beardsley Rd.....		18:52	
		59th Ave & Beardsley Rd.....		15:35		59th Ave & Bell Rd.....		18:58	
		59 / North / 830 / 20161485				59th Ave & Thunderbird Rd.....		19:04	
59th Ave & Buckeye Rd.....	11:24	59th Ave & Buckeye Rd.....		11:26		59th Ave & Olive Ave.....		19:17	
59th Ave & Van Buren St.....	11:26	59 / South / 220 / 20161451				59th Ave & Glendale Ave.....		19:27	
59th Ave & Thomas Rd.....	11:34	59th Ave & Beardsley Rd.....		15:45		59th Ave & Camelback Rd.....		19:36	
59th Ave & Camelback Rd.....	11:43	59th Ave & Bell Rd.....		15:52		59th Ave & Thomas Rd.....		19:43	
59th Ave & Glendale Ave.....	11:54	59th Ave & Thunderbird Rd.....		15:59		59th Ave & Van Buren St.....		19:54	
59th Ave & Olive Ave.....	12:04	59th Ave & Olive Ave.....		16:12		59th Ave & Buckeye Rd.....		19:57	
59th Ave & Thunderbird Rd.....	12:16	59th Ave & Glendale Ave.....		16:24					
59th Ave & Bell Rd.....	12:25	59th Ave & Camelback Rd.....		16:36		Deadhead			
59th Ave & Beardsley Rd.....	12:34	59th Ave & Thomas Rd.....		16:47		59th Ave & Buckeye Rd.....		19:57	
		59th Ave & Van Buren St.....		16:58		51st Ave & Hadley St.....		20:01	
		59th Ave & Buckeye Rd.....		17:01					
59 / South / 220 / 20161445						Travel by		CAR	
59th Ave & Beardsley Rd.....	12:46	Deadhead				Car Pull			
59th Ave & Bell Rd.....	12:52	59th Ave & Buckeye Rd.....		17:01		51st Ave & Hadley St.....		20:22	
59th Ave & Thunderbird Rd.....	12:58	51st Ave & Hadley St.....		17:05		West Transit Facility.....		20:33	
59th Ave & Olive Ave.....	13:13								
59th Ave & Glendale Ave.....	13:25	Deadhead				59 / North / 830 / 20161521			
59th Ave & Camelback Rd.....	13:36	51st Ave & Hadley St.....		17:16		59th Ave & Buckeye Rd.....		20:26	
59th Ave & Thomas Rd.....	13:46	59th Ave & Buckeye Rd.....		17:20		59th Ave & Van Buren St.....		20:28	
59th Ave & Van Buren St.....	13:58					59th Ave & Thomas Rd.....		20:36	
59th Ave & Buckeye Rd.....	14:01					59th Ave & Camelback Rd.....		20:43	
						59th Ave & Glendale Ave.....		20:52	
Deadhead						59th Ave & Olive Ave.....		21:00	
59th Ave & Buckeye Rd.....	14:01					59th Ave & Thunderbird Rd.....		21:10	
51st Ave & Hadley St.....	14:05					59th Ave & Bell Rd.....		21:17	
						59th Ave & Beardsley Rd.....		21:24	

Phoenix West

Effective: 01/22/2024

2111
Weekday

Duty Type	Block	Report Time	Start Place	Start Time	End Time	End Place	Clear Time	Paid Time	Seat Time
ST	2132	10:52	WEST	10:57	19:37	WEST	19:37	8h45	7h19

Sign-on	10:52	Deadhead			Deadhead				
		93rd Ave & Thomas Rd.....		15:09	Pima Rd & Chaparral Rd.....			17:32	
Block	2132	83rd Ave & Indian School Rd..		15:16	Granite Reef Rd & Indian Sch			17:36	
Pull Out		41 / East / 172 / 20161856			41 / West / 724 / 20161821				
West Transit Facility.....	11:12	83rd Ave & Indian School Rd..		15:32	Granite Reef Rd & Indian Sch			17:36	
Thomas Rd at Desert Sky TC..	11:26	59th Ave & Indian School Rd.....		15:45	Scottsdale Rd & Indian School			17:41	
		43rd Ave & Indian School Rd.....		15:54	56th St & Indian School Rd.....			17:49	
29 / East / 31 / 20161184		19th Ave & Indian School Rd.....		16:10	44th St & Indian School Rd.....			17:54	
Thomas Rd at Desert Sky TC..	11:26	Central Ave & Indian School Rd.		16:20	32nd St & Indian School Rd.....			18:00	
67th Ave & Thomas Rd.....	11:33	Central Ave & Indian School Rd.		16:24	24th St & Indian School Rd.....			18:06	
51st Ave & Thomas Rd.....	11:40	24th St & Indian School Rd.....		16:37	Central Ave & Indian School Rd.			18:20	
35th Ave & Thomas Rd.....	11:47	32nd St & Indian School Rd.....		16:42	Central Ave & Indian School Rd.			18:24	
19th Ave & Thomas Rd.....	11:57	44th St & Indian School Rd.....		16:48	19th Ave & Indian School Rd.....			18:33	
Central Ave & Thomas Rd.....	12:09	56th St & Indian School Rd.....		16:54	43rd Ave & Indian School Rd.....			18:50	
24th St & Thomas Rd.....	12:21	Scottsdale Rd & Indian School		17:00	59th Ave & Indian School Rd.....			19:01	
44th St & Thomas Rd.....	12:37	Granite Reef Rd & Indian Sch		17:08	83rd Ave & Indian School Rd.....			19:11	
56th St & Thomas Rd.....	12:43				107th Ave & Indian School Rd.			19:22	
Scottsdale Rd & Thomas Rd.....	12:49	Deadhead							
Pima Park.....	12:58	Granite Reef Rd & Indian Sch		17:08	Pull In				
		Pima Rd & Chaparral Rd.....		17:12	107th Ave & Indian School Rd.			19:22	
29 / West / 199 / 20161422					West Transit Facility.....			19:37	
Pima Park.....	13:28								
Scottsdale Rd & Thomas Rd.....	13:33								
56th St & Thomas Rd.....	13:39								
44th St & Thomas Rd.....	13:47								
24th St & Thomas Rd.....	13:59								
Central Ave & Thomas Rd.....	14:12								
19th Ave & Thomas Rd.....	14:22								
35th Ave & Thomas Rd.....	14:33								
51st Ave & Thomas Rd.....	14:42								
67th Ave & Thomas Rd.....	14:50								
Desert Sky TC.....	14:59								
Desert Sky TC.....	15:02								
93rd Ave & Thomas Rd.....	15:09								

Phoenix West

Effective: 01/22/2024

2112
Weekday

Duty Type	Block	Report Time	Start Place	Start Time	End Time	End Place	Clear Time	Paid Time	Seat Time
ST	CAR 2080	10:56	WEST DSTC	11:01 11:15	11:15 19:29	DSTC WEST	19:29	8h33	7h28

Sign-on	10:56	MARY / CCIkWs / 787 / 20162014	MARY / CCIkWs / 787 / 20162016
Desert Sky TC..... 13:30		Desert Sky TC..... 17:30	
Travel by	CAR	83rd Ave & Osborn Rd..... 13:46	83rd Ave & Osborn Rd..... 17:46
		75th Ave & Encanto Blvd..... 14:02	75th Ave & Encanto Blvd..... 18:02
Car Pull		63rd Ave & Fillmore St..... 14:14	63rd Ave & Fillmore St..... 18:14
West Transit Facility..... 11:01		55th Ave & Encanto Blvd..... 14:24	55th Ave & Encanto Blvd..... 18:24
Desert Sky TC..... 11:15		51st Ave & Indian School Rd..... 14:37	51st Ave & Indian School Rd..... 18:37
		67th Ave & Campbell Ave..... 14:48	67th Ave & Campbell Ave..... 18:48
Block	2080	59th Ave & Thomas Rd..... 14:59	59th Ave & Thomas Rd..... 18:59
		Desert Sky TC..... 15:15	Desert Sky TC..... 19:15
MARY / CCIkWs / 787 / 20162012		MARY / CCIkWs / 787 / 20162018	
Desert Sky TC..... 11:30		Desert Sky TC..... 15:30	Pull In
83rd Ave & Osborn Rd..... 11:46		83rd Ave & Osborn Rd..... 15:46	Desert Sky TC..... 19:15
75th Ave & Encanto Blvd..... 12:02		75th Ave & Encanto Blvd..... 16:02	West Transit Facility..... 19:29
63rd Ave & Fillmore St..... 12:14		63rd Ave & Fillmore St..... 16:14	
55th Ave & Encanto Blvd..... 12:24		55th Ave & Encanto Blvd..... 16:24	
51st Ave & Indian School Rd..... 12:37		51st Ave & Indian School Rd..... 16:37	
67th Ave & Campbell Ave..... 12:48		67th Ave & Campbell Ave..... 16:48	
59th Ave & Thomas Rd..... 12:59		59th Ave & Thomas Rd..... 16:59	
Desert Sky TC..... 13:15		Desert Sky TC..... 17:15	

Phoenix West

Effective: 01/22/2024

2113

Weekday

Duty Type	Block	Report Time	Start Place	Start Time	End Time	End Place	Clear Time	Paid Time	Seat Time
ST	CAR	10:58	WEST	11:03	11:15	83MC	18:56	7h58	6h53
	2095		83MC	11:15	18:56	WEST			

Sign-on	10:58	Deadhead	17 / East / 132 / 20160969
Travel by	CAR	Pima Rd & McDowell Rd.....	12:48 Pebble Creek Pkwy & McDow 16:03
Car Pull		Pima Rd & McDowell Rd.....	12:55 Litchfield Rd & McDowell Rd..... 16:10
West Transit Facility.....	11:03	17 / West / 127 / 20161574	99th Ave & McDowell Rd..... 16:25
83rd Ave & McDowell Rd.....	11:15	Pima Rd & McDowell Rd.....	13:30 83rd Ave & McDowell Rd..... 16:33
Block	2095	Scottsdale Rd & McDowell Rd....	67th Ave & McDowell Rd..... 16:40
		52nd St & McDowell Rd.....	43rd Ave & McDowell Rd..... 16:54
		44th St & McDowell Rd.....	19th Ave & McDowell Rd..... 17:10
		24th St & McDowell Rd.....	Central Ave & McDowell Rd..... 17:20
		Central Ave & McDowell Rd.....	24th St & McDowell Rd..... 17:35
		19th Ave & McDowell Rd.....	44th St & McDowell Rd..... 17:47
		43rd Ave & McDowell Rd.....	52nd St & McDowell Rd..... 17:51
		67th Ave & McDowell Rd.....	Scottsdale Rd & McDowell Rd.... 18:00
		83rd Ave & McDowell Rd.....	Pima Rd & McDowell Rd..... 18:08
		99th Ave & McDowell Rd.....	
		Litchfield Rd & McDowell Rd.....	Pull In
		Pebble Creek Pkwy & McDow	Pima Rd & McDowell Rd..... 18:08
		Pebble Creek Pkwy & McDow	West Transit Facility..... 18:56
		Deadhead	
		Pebble Creek Pkwy & McDow	15:31
		Pebble Creek Pkwy & McDow	15:38

Phoenix West

Effective: 01/22/2024

2114

Weekday

Duty Type	Block	Report Time	Start Place	Start Time	End Time	End Place	Clear Time	Paid Time	Seat Time
ST	CAR	11:03	WEST	11:08	11:28	43LB			
	2026		43LB	11:28	20:50	43LB			
	CAR		43LB	20:50	21:11	WEST	21:11	10h08	7h41

Sign-on	11:03	43 / North / 182 / 20161088				Deadhead			
		43rd Ave & Lower Buckeye Rd	14:40	43rd Ave & Union Hills Dr.....	18:47				
Travel by	CAR	43rd Ave & Van Buren St.....	14:47	43rd Ave & Union Hills Dr.....	18:54				
		43rd Ave & Thomas Rd.....	14:59						
Car Pull		43rd Ave & Camelback Rd.....	15:10	43 / South / 207 / 20161189					
West Transit Facility.....	11:08	43rd Ave & Glendale Ave.....	15:19	43rd Ave & Union Hills Dr.....	19:22				
43rd Ave & Lower Buckeye Rd	11:28	43rd Ave & Dunlap Ave.....	15:28	43rd Ave & Thunderbird Rd.....	19:30				
		43rd Ave & Thunderbird Rd.....	15:40	43rd Ave & Dunlap Ave.....	19:40				
Block	2026	43rd Ave & Union Hills Dr.....	15:51	43rd Ave & Glendale Ave.....	19:48				
				43rd Ave & Camelback Rd.....	19:55				
		43 / North / 182 / 20161078		43rd Ave & Thomas Rd.....	20:03				
		43rd Ave & Lower Buckeye Rd	11:43	43rd Ave & Van Buren St.....	20:11				
		43rd Ave & Van Buren St.....	11:50	43rd Ave & Union Hills Dr.....	15:51				
		43rd Ave & Thomas Rd.....	12:00	43rd Ave & Union Hills Dr.....	15:58				
		43rd Ave & Camelback Rd.....	12:10						
		43rd Ave & Glendale Ave.....	12:19	43 / South / 207 / 20161176		Deadhead			
		43rd Ave & Dunlap Ave.....	12:27	43rd Ave & Union Hills Dr.....	16:18	43rd Ave & Lower Buckeye Rd	20:18		
		43rd Ave & Thunderbird Rd.....	12:36	43rd Ave & Thunderbird Rd.....	16:26	43rd Ave & Lower Buckeye Rd	20:24		
		43rd Ave & Union Hills Dr.....	12:45	43rd Ave & Dunlap Ave.....	16:37				
				43rd Ave & Glendale Ave.....	16:46	Travel by	CAR		
				43rd Ave & Camelback Rd.....	16:55				
Deadhead		43rd Ave & Thomas Rd.....	17:05	43rd Ave & Van Buren St.....	17:16	Car Pull			
43rd Ave & Union Hills Dr.....	12:45	43rd Ave & Lower Buckeye Rd	17:24	43rd Ave & Lower Buckeye Rd	20:50	43rd Ave & Lower Buckeye Rd	20:50		
43rd Ave & Union Hills Dr.....	12:52			West Transit Facility.....	21:11				
		43 / South / 207 / 20161169							
		43rd Ave & Union Hills Dr.....	13:21	Deadhead		43 / North / 182 / 20161104			
		43rd Ave & Thunderbird Rd.....	13:28	43rd Ave & Lower Buckeye Rd	17:24	43rd Ave & Lower Buckeye Rd	20:50		
		43rd Ave & Dunlap Ave.....	13:38	43rd Ave & Lower Buckeye Rd	17:30	43rd Ave & Van Buren St.....	20:56		
		43rd Ave & Glendale Ave.....	13:46			43rd Ave & Thomas Rd.....	21:04		
		43rd Ave & Camelback Rd.....	13:55	43 / North / 182 / 20161095		43rd Ave & Camelback Rd.....	21:10		
		43rd Ave & Thomas Rd.....	14:04	43rd Ave & Lower Buckeye Rd	17:42	43rd Ave & Glendale Ave.....	21:16		
		43rd Ave & Van Buren St.....	14:15	43rd Ave & Van Buren St.....	17:48	43rd Ave & Dunlap Ave.....	21:22		
		43rd Ave & Lower Buckeye Rd	14:22	43rd Ave & Thomas Rd.....	18:00	43rd Ave & Thunderbird Rd.....	21:30		
				43rd Ave & Camelback Rd.....	18:10	43rd Ave & Union Hills Dr.....	21:37		
				43rd Ave & Glendale Ave.....	18:19				
Deadhead		43rd Ave & Dunlap Ave.....	18:28	43rd Ave & Thunderbird Rd.....	18:37				
43rd Ave & Lower Buckeye Rd	14:22	43rd Ave & Union Hills Dr.....	18:47						
43rd Ave & Lower Buckeye Rd	14:28								

Phoenix West

Effective: 01/22/2024

2115
Weekday

Duty Type	Block	Report Time	Start Place	Start Time	End Time	End Place	Clear Time	Paid Time	Seat Time
ST	CAR 2117	11:12	WEST 37VB	11:17 11:32	11:32 20:18	37VB WEST	20:18	9h06	6h43

Sign-on	11:12	Deadhead	Deadhead
Travel by	CAR	37th Av Layover..... 14:02	44th St & Van Buren St..... 17:18
Car Pull		35th Ave & Van Buren St..... 14:05	44th St Sky Train Station..... 17:23
West Transit Facility..... 11:17		3 / East / 116 / 20162071	Deadhead
37th Av Layover..... 11:32		35th Ave & Van Buren St..... 14:05	44th St Sky Train Station..... 18:00
Block	2117	19th Ave & Van Buren St..... 14:16	44th St & Van Buren St..... 18:05
Deadhead		Central Ave & Van Buren St..... 14:25	
37th Av Layover..... 11:32		24th St & Van Buren St..... 14:39	3 / West / 118 / 20162168
35th Ave & Van Buren St..... 11:35		44th St & Van Buren St..... 14:48	44th St & Van Buren St..... 18:05
3 / East / 116 / 20162061		Deadhead	24th St & Van Buren St..... 18:18
35th Ave & Van Buren St..... 11:35		44th St & Van Buren St..... 14:48	2nd Ave & Van Buren St..... 18:33
19th Ave & Van Buren St..... 11:46		44th St Sky Train Station..... 14:53	19th Ave & Van Buren St..... 18:42
Central Ave & Van Buren St..... 11:55		Deadhead	35th Ave & Van Buren St..... 18:52
24th St & Van Buren St..... 12:09		44th St Sky Train Station..... 15:30	37th Av Layover..... 18:54
44th St & Van Buren St..... 12:18		44th St & Van Buren St..... 15:35	
Deadhead		3 / West / 118 / 20162143	Deadhead
44th St & Van Buren St..... 12:18		44th St & Van Buren St..... 15:35	37th Av Layover..... 19:05
44th St Sky Train Station..... 12:23		24th St & Van Buren St..... 15:48	35th Ave & Van Buren St..... 19:08
Deadhead		2nd Ave & Van Buren St..... 16:03	
44th St Sky Train Station..... 13:00		19th Ave & Van Buren St..... 16:12	3 / East / 116 / 20162166
44th St & Van Buren St..... 13:05		35th Ave & Van Buren St..... 16:22	35th Ave & Van Buren St..... 19:08
3 / West / 118 / 20162134		Deadhead	19th Ave & Van Buren St..... 19:17
44th St & Van Buren St..... 13:05		37th Av Layover..... 16:22	Central Ave & Van Buren St..... 19:25
24th St & Van Buren St..... 13:18		37th Av Layover..... 16:24	24th St & Van Buren St..... 19:35
2nd Ave & Van Buren St..... 13:33		Deadhead	44th St & Van Buren St..... 19:43
19th Ave & Van Buren St..... 13:42		37th Av Layover..... 16:32	
35th Ave & Van Buren St..... 13:52		35th Ave & Van Buren St..... 16:35	Pull In
Deadhead		3 / East / 116 / 20162081	44th St & Van Buren St..... 19:43
35th Ave & Van Buren St..... 13:52		35th Ave & Van Buren St..... 16:35	West Transit Facility..... 20:18
37th Av Layover..... 13:54		19th Ave & Van Buren St..... 16:46	
		Central Ave & Van Buren St..... 16:55	
		24th St & Van Buren St..... 17:09	
		44th St & Van Buren St..... 17:18	

Phoenix West

Effective: 01/22/2024

2116

Weekday

Duty Type	Block	Report Time	Start Place	Start Time	End Time	End Place	Clear Time	Paid Time	Seat Time
ST	CAR	11:15	WEST 94TH	11:20	11:34	94TH			
	2014		94TH	11:34	20:38	99MC			
	CAR		99MC	20:38	20:49	WEST	20:49	9h34	7h25

Sign-on	11:15	Deadhead	Deadhead
Travel by	CAR	93rd Ave & Thomas Rd..... 15:48	93rd Ave & Thomas Rd..... 20:12
Car Pull		94th Av Layover..... 15:49	99th Ave & McDowell Rd..... 20:17
West Transit Facility..... 11:20		Deadhead	Travel by
94th Av Layover..... 11:34		94th Av Layover..... 16:15	CAR
Block	2014	93rd Ave & Thomas Rd..... 16:16	Car Pull
Deadhead		29 / East / 31 / 20161567	99th Ave & McDowell Rd..... 20:38
94th Av Layover..... 11:34		93rd Ave & Thomas Rd..... 16:16	West Transit Facility..... 20:49
93rd Ave & Thomas Rd..... 11:35		Thomas Rd at Desert Sky TC.... 16:22	17 / East / 132 / 20161652
29 / East / 31 / 20161550		67th Ave & Thomas Rd..... 16:31	99th Ave & McDowell Rd..... 20:38
93rd Ave & Thomas Rd..... 11:35		51st Ave & Thomas Rd..... 16:39	83rd Ave & McDowell Rd..... 20:46
Thomas Rd at Desert Sky TC.... 11:41		35th Ave & Thomas Rd..... 16:46	67th Ave & McDowell Rd..... 20:53
67th Ave & Thomas Rd..... 11:48		19th Ave & Thomas Rd..... 16:57	43rd Ave & McDowell Rd..... 21:03
51st Ave & Thomas Rd..... 11:55		Central Ave & Thomas Rd..... 17:08	19th Ave & McDowell Rd..... 21:14
35th Ave & Thomas Rd..... 12:02		24th St & Thomas Rd..... 17:20	Central Ave & McDowell Rd.... 21:20
19th Ave & Thomas Rd..... 12:12		44th St & Thomas Rd..... 17:38	24th St & McDowell Rd..... 21:30
Central Ave & Thomas Rd..... 12:24		56th St & Thomas Rd..... 17:46	44th St & McDowell Rd..... 21:39
24th St & Thomas Rd..... 12:36		Scottsdale Rd & Thomas Rd.... 17:53	52nd St & McDowell Rd..... 21:42
44th St & Thomas Rd..... 12:52		Pima Park..... 18:03	Scottsdale Rd & McDowell Rd 21:48
56th St & Thomas Rd..... 12:58		29 / West / 199 / 20161395	Pima Rd & McDowell Rd..... 21:55
Scottsdale Rd & Thomas Rd.... 13:04		Pima Park..... 18:35	
Pima Park..... 13:13		Scottsdale Rd & Thomas Rd.... 18:41	
29 / West / 199 / 20161418		56th St & Thomas Rd..... 18:48	
Pima Park..... 13:58		44th St & Thomas Rd..... 18:57	
Scottsdale Rd & Thomas Rd.... 14:03		24th St & Thomas Rd..... 19:10	
56th St & Thomas Rd..... 14:10		Central Ave & Thomas Rd..... 19:22	
44th St & Thomas Rd..... 14:19		19th Ave & Thomas Rd..... 19:32	
24th St & Thomas Rd..... 14:31		35th Ave & Thomas Rd..... 19:41	
Central Ave & Thomas Rd..... 14:44		51st Ave & Thomas Rd..... 19:49	
19th Ave & Thomas Rd..... 14:54		67th Ave & Thomas Rd..... 19:56	
35th Ave & Thomas Rd..... 15:07		Desert Sky TC..... 20:03	
51st Ave & Thomas Rd..... 15:18		Desert Sky TC..... 20:06	
67th Ave & Thomas Rd..... 15:27		93rd Ave & Thomas Rd..... 20:12	
Desert Sky TC..... 15:38			
Desert Sky TC..... 15:41			
93rd Ave & Thomas Rd..... 15:48			

Phoenix West

Effective: 01/22/2024

2117
Weekday

Duty Type	Block	Report Time	Start Place	Start Time	End Time	End Place	Clear Time	Paid Time	Seat Time
ST	CAR	11:16	WEST	11:21	11:33	51VB			
	2008		51VB	11:33	21:27	BA51			
	CAR		BA51	21:27	21:53	WEST	21:53	10h37	8h22

Sign-on	11:16	51 / North / 206 / 20161322				51 / South / 27 / 20161062			
		51st Ave & Pecos Rd.....	14:54			ASU West Campus.....		20:32	
Travel by	CAR	Vee Quiva Casino.....	15:04			51st Ave & Olive Ave.....		20:44	
		51st Ave & Baseline Rd.....	15:16			51st Ave & Glendale Ave.....		20:50	
Car Pull		51st Ave & Lower Buckeye Rd...	15:24			51st Ave & Camelback Rd.....		20:57	
West Transit Facility.....	11:21	51st Ave & Van Buren St.....	15:33			51st Ave & Thomas Rd.....		21:04	
51st Ave & Van Buren St.....	11:33	51st Ave & Thomas Rd.....	15:44			51st Ave & Van Buren St.....		21:12	
		51st Ave & Camelback Rd.....	15:54			51st Ave & Lower Buckeye Rd...		21:18	
Block	2008	51st Ave & Glendale Ave.....	16:02			51st Ave & Baseline Rd.....		21:27	
		51st Ave & Olive Ave.....	16:09						
		ASU West Campus.....	16:24			Travel by		CAR	
51 / North / 206 / 20161319		51 / South / 28 / 20161044				Car Pull			
51st Ave & Van Buren St.....	11:33	ASU West Campus.....	16:51			51st Ave & Baseline Rd.....		21:27	
51st Ave & Thomas Rd.....	11:42	51st Ave & Olive Ave.....	17:05			West Transit Facility.....		21:53	
51st Ave & Camelback Rd.....	11:51	51st Ave & Glendale Ave.....	17:14						
51st Ave & Glendale Ave.....	11:57	51st Ave & Camelback Rd.....	17:22			51 / North / 206 / 20161338			
51st Ave & Olive Ave.....	12:05	51st Ave & Thomas Rd.....	17:32			51st Ave & Baseline Rd.....		21:52	
ASU West Campus.....	12:17	51st Ave & Van Buren St.....	17:45			51st Ave & Lower Buckeye Rd		21:58	
51 / South / 28 / 20161008		51st Ave & Lower Buckeye Rd...	17:53			51st Ave & Van Buren St.....		22:04	
ASU West Campus.....	12:57	51st Ave & Baseline Rd.....	18:02			51st Ave & Thomas Rd.....		22:12	
51st Ave & Olive Ave.....	13:10	Vee Quiva Casino.....	18:16			51st Ave & Camelback Rd.....		22:18	
51st Ave & Glendale Ave.....	13:18	Komatke Health Center.....	18:31			51st Ave & Glendale Ave.....		22:24	
51st Ave & Camelback Rd.....	13:25	51st Ave & Pecos Rd.....	18:36			51st Ave & Olive Ave.....		22:29	
51st Ave & Thomas Rd.....	13:34					ASU West Campus.....		22:40	
51st Ave & Van Buren St.....	13:45	51 / North / 206 / 20161333							
51st Ave & Lower Buckeye Rd...	13:52	51st Ave & Pecos Rd.....	19:00						
51st Ave & Baseline Rd.....	14:00	Vee Quiva Casino.....	19:10						
Vee Quiva Casino.....	14:13	51st Ave & Baseline Rd.....	19:22						
Komatke Health Center.....	14:28	51st Ave & Lower Buckeye Rd...	19:29						
51st Ave & Pecos Rd.....	14:32	51st Ave & Van Buren St.....	19:35						
		51st Ave & Thomas Rd.....	19:43						
		51st Ave & Camelback Rd.....	19:51						
		51st Ave & Glendale Ave.....	19:57						
		51st Ave & Olive Ave.....	20:03						
		ASU West Campus.....	20:15						

Phoenix West

Effective: 01/22/2024

2118

Weekday

Duty Type	Block	Report Time	Start Place	Start Time	End Time	End Place	Clear Time	Paid Time	Seat Time
ST	2133	11:21	WEST	11:26	19:41	WEST	19:41	8h20	7h15

Sign-on	11:21	17 / West / 125 / 20161573	29 / West / 35 / 20161396
		Pima Rd & McDowell Rd.....	13:50 Pima Park..... 17:47
Block	2133	Scottsdale Rd & McDowell Rd....	13:57 Scottsdale Rd & Thomas Rd..... 17:53
		52nd St & McDowell Rd.....	14:05 56th St & Thomas Rd..... 18:00
Pull Out		44th St & McDowell Rd.....	14:09 44th St & Thomas Rd..... 18:09
West Transit Facility.....	11:41	24th St & McDowell Rd.....	14:24 24th St & Thomas Rd..... 18:22
83rd Ave & McDowell Rd.....	11:55	Central Ave & McDowell Rd.....	14:37 Central Ave & Thomas Rd..... 18:37
		19th Ave & McDowell Rd.....	14:45 19th Ave & Thomas Rd..... 18:48
17 / East / 132 / 20160976		43rd Ave & McDowell Rd.....	15:02 35th Ave & Thomas Rd..... 19:02
83rd Ave & McDowell Rd.....	11:55	67th Ave & McDowell Rd.....	15:14 51st Ave & Thomas Rd..... 19:13
67th Ave & McDowell Rd.....	12:02	83rd Ave & McDowell Rd.....	15:21 67th Ave & Thomas Rd..... 19:20
43rd Ave & McDowell Rd.....	12:14		Desert Sky TC..... 19:27
19th Ave & McDowell Rd.....	12:30	Deadhead	
Central Ave & McDowell Rd.....	12:40	83rd Ave & McDowell Rd.....	15:21 Pull In
24th St & McDowell Rd.....	12:55	93rd Ave & Thomas Rd.....	15:27 Desert Sky TC..... 19:27
44th St & McDowell Rd.....	13:07		West Transit Facility..... 19:41
52nd St & McDowell Rd.....	13:11	29 / East / 31 / 20161565	
Scottsdale Rd & McDowell Rd....	13:20	93rd Ave & Thomas Rd.....	15:41
McDowell Rd & Pima Rd East	13:28	Thomas Rd at Desert Sky TC....	15:47
		67th Ave & Thomas Rd.....	15:56
Deadhead		51st Ave & Thomas Rd.....	16:05
McDowell Rd & Pima Rd East	13:28	35th Ave & Thomas Rd.....	16:13
Pima Rd & McDowell Rd.....	13:35	19th Ave & Thomas Rd.....	16:24
		Central Ave & Thomas Rd.....	16:36
		24th St & Thomas Rd.....	16:48
		44th St & Thomas Rd.....	17:06
		56th St & Thomas Rd.....	17:14
		Scottsdale Rd & Thomas Rd.....	17:21
		Pima Park.....	17:31

Phoenix West

Effective: 01/22/2024

2119
Weekday

Duty Type	Block	Report Time	Start Place	Start Time	End Time	End Place	Clear Time	Paid Time	Seat Time
ST	CAR 2020	11:27	WEST 43LB	11:32 11:52	11:52 19:47	43LB WEST	19:47	8h20	6h48

Sign-on	11:27	43 / South / 207 / 20161166			43 / South / 207 / 20161180				
		43rd Ave & Union Hills Dr.....	13:51	43rd Ave & Union Hills Dr.....	16:48				
Travel by	CAR	43rd Ave & Thunderbird Rd.....	13:58	43rd Ave & Thunderbird Rd.....	16:56				
		43rd Ave & Dunlap Ave.....	14:08	43rd Ave & Dunlap Ave.....	17:07				
Car Pull		43rd Ave & Glendale Ave.....	14:16	43rd Ave & Glendale Ave.....	17:16				
West Transit Facility.....	11:32	43rd Ave & Camelback Rd.....	14:25	43rd Ave & Camelback Rd.....	17:25				
43rd Ave & Lower Buckeye Rd	11:52	43rd Ave & Thomas Rd.....	14:34	43rd Ave & Thomas Rd.....	17:35				
		43rd Ave & Van Buren St.....	14:45	43rd Ave & Van Buren St.....	17:46				
Block	2020	43rd Ave & Lower Buckeye Rd	14:53	43rd Ave & Lower Buckeye Rd	17:54				
Deadhead		Deadhead		Deadhead					
43rd Ave & Lower Buckeye Rd	11:52	43rd Ave & Lower Buckeye Rd	14:53	43rd Ave & Lower Buckeye Rd	17:54				
43rd Ave & Lower Buckeye Rd	11:58	43rd Ave & Lower Buckeye Rd	14:59	43rd Ave & Lower Buckeye Rd	18:00				
43 / North / 182 / 20161079		43 / North / 182 / 20161089		43 / North / 182 / 20161096					
43rd Ave & Lower Buckeye Rd	12:12	43rd Ave & Lower Buckeye Rd	15:10	43rd Ave & Lower Buckeye Rd	18:14				
43rd Ave & Van Buren St.....	12:19	43rd Ave & Van Buren St.....	15:17	43rd Ave & Van Buren St.....	18:20				
43rd Ave & Thomas Rd.....	12:29	43rd Ave & Thomas Rd.....	15:29	43rd Ave & Thomas Rd.....	18:30				
43rd Ave & Camelback Rd.....	12:40	43rd Ave & Camelback Rd.....	15:40	43rd Ave & Camelback Rd.....	18:40				
43rd Ave & Glendale Ave.....	12:49	43rd Ave & Glendale Ave.....	15:49	43rd Ave & Glendale Ave.....	18:48				
43rd Ave & Dunlap Ave.....	12:58	43rd Ave & Dunlap Ave.....	15:58	43rd Ave & Dunlap Ave.....	18:55				
43rd Ave & Thunderbird Rd.....	13:07	43rd Ave & Thunderbird Rd.....	16:10	43rd Ave & Thunderbird Rd.....	19:03				
43rd Ave & Union Hills Dr.....	13:16	43rd Ave & Union Hills Dr.....	16:21	43rd Ave & Union Hills Dr.....	19:12				
Deadhead		Deadhead		Pull In					
43rd Ave & Union Hills Dr.....	13:16	43rd Ave & Union Hills Dr.....	16:21	43rd Ave & Union Hills Dr.....	19:12				
43rd Ave & Union Hills Dr.....	13:23	43rd Ave & Union Hills Dr.....	16:28	West Transit Facility.....	19:47				

Phoenix West

Effective: 01/22/2024

2120
Weekday

Duty Type	Block	Report Time	Start Place	Start Time	End Time	End Place	Clear Time	Paid Time	Seat Time
ST	CAR	11:38	WEST	11:43	11:51	83VB			
	2017		83VB	11:51	20:32	83VB			
	CAR		83VB	20:32	20:39	WEST	20:39	9h01	7h27

Sign-on	11:38	3 / East / 86 / 20162082				Deadhead			
		4th St & La Canada Blvd.....		15:53		4th St & La Canada Blvd.....		19:53	
Travel by	CAR	Avondale Civic Center.....		16:07		83rd Ave & Van Buren St.....		20:15	
		99th Ave & Van Buren St.....		16:13					
Car Pull		83rd Ave & Van Buren St.....		16:21		Travel by			CAR
West Transit Facility.....	11:43	67th Ave & Van Buren St.....		16:26					
83rd Ave & Van Buren St.....	11:51	51st Ave & Van Buren St.....		16:39		Car Pull			
		35th Ave & Van Buren St.....		16:50		83rd Ave & Van Buren St.....		20:32	
Block	2017	19th Ave & Van Buren St.....		17:01		West Transit Facility.....		20:39	
		Central Ave & Van Buren St.....		17:10					
		24th St & Van Buren St.....		17:24		3 / East / 181 / 20162091			
3 / East / 86 / 20162064		44th St & Van Buren St.....		17:33		83rd Ave & Van Buren St.....		20:32	
83rd Ave & Van Buren St.....	11:51	Galvin Pkwy & Van Buren St.....		17:40		67th Ave & Van Buren St.....		20:37	
67th Ave & Van Buren St.....	11:56	Phoenix Zoo.....		17:44		51st Ave & Van Buren St.....		20:46	
51st Ave & Van Buren St.....	12:09					35th Ave & Van Buren St.....		20:55	
35th Ave & Van Buren St.....	12:20	3 / West / 546 / 20162153				19th Ave & Van Buren St.....		21:03	
19th Ave & Van Buren St.....	12:31	Phoenix Zoo.....		18:09		Central Ave & Van Buren St....		21:10	
Central Ave & Van Buren St.....	12:40	Galvin Pkwy & Van Buren St.....		18:12		24th St & Van Buren St.....		21:18	
24th St & Van Buren St.....	12:54	44th St & Van Buren St.....		18:20		44th St & Van Buren St.....		21:26	
44th St & Van Buren St.....	13:03	24th St & Van Buren St.....		18:33		Galvin Pkwy & Van Buren St...		21:32	
Galvin Pkwy & Van Buren St.....	13:10	2nd Ave & Van Buren St.....		18:48					
Phoenix Zoo.....	13:14	19th Ave & Van Buren St.....		18:57					
		35th Ave & Van Buren St.....		19:06					
3 / West / 546 / 20162136		51st Ave & Van Buren St.....		19:14					
Phoenix Zoo.....	13:39	67th Ave & Van Buren St.....		19:21					
Galvin Pkwy & Van Buren St.....	13:42	83rd Ave & Van Buren St.....		19:28					
44th St & Van Buren St.....	13:50	99th Ave & Van Buren St.....		19:35					
24th St & Van Buren St.....	14:03	Avondale Civic Center.....		19:42					
2nd Ave & Van Buren St.....	14:18	4th St & La Canada Blvd.....		19:53					
19th Ave & Van Buren St.....	14:27								
35th Ave & Van Buren St.....	14:37								
51st Ave & Van Buren St.....	14:47								
67th Ave & Van Buren St.....	14:56								
83rd Ave & Van Buren St.....	15:04								
99th Ave & Van Buren St.....	15:12								
Avondale Civic Center.....	15:20								
4th St & La Canada Blvd.....	15:31								

Phoenix West

Effective: 01/22/2024

2121
Weekday

Duty Type	Block	Report Time	Start Place	Start Time	End Time	End Place	Clear Time	Paid Time	Seat Time
ST	CAR	11:42	WEST	11:47	12:05	107I-E			
	2011		107I-E	12:05	21:13	99MC			
	CAR		99MC	21:13	21:24	WEST	21:24	9h42	8h15

Sign-on	11:42	41 / West / 724 / 20161830		Deadhead	
		Granite Reef Rd & Indian Sch	14:13	Pima Rd & McDowell Rd.....	19:08
Travel by	CAR	Scottsdale Rd & Indian School	14:18	Pima Rd & McDowell Rd.....	19:15
		56th St & Indian School Rd.....	14:25	-----	
Car Pull		44th St & Indian School Rd.....	14:31	17 / West / 253 / 20161536	
West Transit Facility.....	11:47	32nd St & Indian School Rd.....	14:38	Pima Rd & McDowell Rd.....	19:45
107th Ave & Indian School Rd.	12:05	24th St & Indian School Rd.....	14:45	Scottsdale Rd & McDowell Rd....	19:52
		Central Ave & Indian School Rd.	15:00	52nd St & McDowell Rd.....	19:59
Block	2011	Central Ave & Indian School Rd.	15:04	44th St & McDowell Rd.....	20:03
		19th Ave & Indian School Rd.....	15:13	24th St & McDowell Rd.....	20:16
		43rd Ave & Indian School Rd.....	15:30	Central Ave & McDowell Rd.....	20:27
41 / East / 172 / 20161950		59th Ave & Indian School Rd.....	15:41	19th Ave & McDowell Rd.....	20:33
107th Ave & Indian School Rd.	12:05	83rd Ave & Indian School Rd.....	15:54	43rd Ave & McDowell Rd.....	20:48
83rd Ave & Indian School Rd.....	12:14	107th Ave & Indian School Rd.	16:07	67th Ave & McDowell Rd.....	20:59
59th Ave & Indian School Rd.....	12:25	-----		83rd Ave & McDowell Rd.....	21:06
43rd Ave & Indian School Rd.....	12:34	Deadhead		99th Ave & McDowell Rd.....	21:13
19th Ave & Indian School Rd.....	12:50	107th Ave & Indian School Rd.	16:07		
Central Ave & Indian School Rd.	13:00	Pebble Creek Pkwy & McDow	16:27	Travel by	CAR
Central Ave & Indian School Rd.	13:04	-----			
24th St & Indian School Rd.....	13:18	17 / East / 132 / 20160962		Car Pull	
32nd St & Indian School Rd.....	13:23	Pebble Creek Pkwy & McDow	17:03	99th Ave & McDowell Rd.....	21:13
44th St & Indian School Rd.....	13:29	Litchfield Rd & McDowell Rd.....	17:10	West Transit Facility.....	21:24
56th St & Indian School Rd.....	13:35	99th Ave & McDowell Rd.....	17:25	-----	
Scottsdale Rd & Indian School	13:41	83rd Ave & McDowell Rd.....	17:33	17 / East / 132 / 20161688	
Granite Reef Rd & Indian Sch	13:49	67th Ave & McDowell Rd.....	17:40	99th Ave & McDowell Rd.....	21:42
-----		43rd Ave & McDowell Rd.....	17:54	83rd Ave & McDowell Rd.....	21:48
Deadhead		19th Ave & McDowell Rd.....	18:10	67th Ave & McDowell Rd.....	21:54
Granite Reef Rd & Indian Sch	13:49	Central Ave & McDowell Rd.....	18:20	43rd Ave & McDowell Rd.....	22:03
Pima Rd & Chaparral Rd.....	13:53	24th St & McDowell Rd.....	18:35	19th Ave & McDowell Rd.....	22:14
-----		44th St & McDowell Rd.....	18:47	Central Ave & McDowell Rd....	22:20
Deadhead		52nd St & McDowell Rd.....	18:51	24th St & McDowell Rd.....	22:30
Pima Rd & Chaparral Rd.....	14:09	Scottsdale Rd & McDowell Rd....	19:00	44th St & McDowell Rd.....	22:39
Granite Reef Rd & Indian Sch	14:13	Pima Rd & McDowell Rd.....	19:08	52nd St & McDowell Rd.....	22:42
-----		-----		Scottsdale Rd & McDowell Rd	22:48
				Pima Rd & McDowell Rd.....	22:55

Phoenix West

Effective: 01/22/2024

2122

Weekday

Duty Type	Block	Report Time	Start Place	Start Time	End Time	End Place	Clear Time	Paid Time	Seat Time
ST	CAR 2016	11:48	WEST 75LB	11:53 12:03	12:03 22:00	75LB WEST	22:00	10h12	7h07

Sign-on	11:48	Deadhead	Deadhead
Travel by	CAR	Sierra Linda HS-South..... 14:58	67th Ave & Union Hills Dr..... 19:33
Car Pull		75th Ave & Lower Buckeye Rd 15:03	67th Ave & Union Hills Dr..... 19:37
West Transit Facility..... 11:53		75 / North / 147 / 20161773	67 / South / 254 / 20161639
75th Ave & Lower Buckeye Rd 12:03		75th Ave & Lower Buckeye Rd 15:41	67th Ave & Union Hills Dr..... 19:52
Block	2016	75th Ave & Van Buren St..... 15:47	67th Ave & Thunderbird Rd..... 20:00
		Desert Sky TC..... 16:07	67th Ave & Olive Ave..... 20:09
		75th Ave & Camelback Rd..... 16:20	67th Ave & Glendale Ave..... 20:17
			67th Ave & Camelback Rd..... 20:26
Deadhead		Deadhead	67th Ave & Thomas Rd..... 20:35
75th Ave & Lower Buckeye Rd 12:03		75th Ave & Camelback Rd..... 16:20	67th Ave & Van Buren St..... 20:45
Sierra Linda HS-North..... 12:08		75th Ave & Camelback Rd..... 16:32	Sierra Linda HS-South..... 20:52
67 / North / 108 / 20161206		75 / South / 149 / 20161718	Deadhead
Sierra Linda HS-North..... 12:24		75th Ave & Camelback Rd..... 17:05	Sierra Linda HS-South..... 20:52
67th Ave & Van Buren St..... 12:35		Desert Sky TC..... 17:17	75th Ave & Lower Buckeye Rd 20:57
67th Ave & Thomas Rd..... 12:45		75th Ave & Van Buren St..... 17:31	
67th Ave & Camelback Rd..... 12:54		75th Ave & Lower Buckeye Rd 17:35	
67th Ave & Glendale Ave..... 13:05			75 / North / 147 / 20161792
67th Ave & Olive Ave..... 13:14		Deadhead	75th Ave & Lower Buckeye Rd 21:19
67th Ave & Thunderbird Rd..... 13:24		75th Ave & Lower Buckeye Rd 17:35	75th Ave & Van Buren St..... 21:23
67th Ave & Union Hills Dr..... 13:34		Sierra Linda HS-North..... 17:40	Desert Sky TC..... 21:37
			75th Ave & Camelback Rd..... 21:45
Deadhead		67 / North / 108 / 20161168	Pull In
67th Ave & Union Hills Dr..... 13:34		Sierra Linda HS-North..... 18:25	75th Ave & Camelback Rd..... 21:45
67th Ave & Union Hills Dr..... 13:39		67th Ave & Van Buren St..... 18:35	West Transit Facility..... 22:00
		67th Ave & Thomas Rd..... 18:45	
67 / South / 254 / 20161618		67th Ave & Camelback Rd..... 18:54	
67th Ave & Union Hills Dr..... 13:50		67th Ave & Glendale Ave..... 19:07	
67th Ave & Thunderbird Rd..... 13:59		67th Ave & Olive Ave..... 19:14	
67th Ave & Olive Ave..... 14:09		67th Ave & Thunderbird Rd..... 19:23	
67th Ave & Glendale Ave..... 14:17		67th Ave & Union Hills Dr..... 19:33	
67th Ave & Camelback Rd..... 14:26			
67th Ave & Thomas Rd..... 14:36			
67th Ave & Van Buren St..... 14:48			
Sierra Linda HS-South..... 14:58			

Phoenix West

Effective: 01/22/2024

2123
Weekday

Duty Type	Block	Report Time	Start Place	Start Time	End Time	End Place	Clear Time	Paid Time	Seat Time
ST	2137	12:01	WEST	12:06	20:57	WEST	20:57	8h56	7h44

Sign-on	12:01	41 / West / 141 / 20161829				Deadhead			
		Granite Reef Rd & Indian Sch	14:33			Pima Park.....			18:19
Block	2137	Scottsdale Rd & Indian School	14:38			Pima Rd & McDowell Rd.....			18:24
		56th St & Indian School Rd.....	14:45			-----			
Pull Out		44th St & Indian School Rd.....	14:51			17 / West / 127 / 20161535			
West Transit Facility.....	12:21	32nd St & Indian School Rd.....	14:58			Pima Rd & McDowell Rd.....			18:45
83rd Ave & Indian School Rd..	12:33	24th St & Indian School Rd.....	15:05			Scottsdale Rd & McDowell Rd....			18:52
-----		Central Ave & Indian School Rd.	15:20			52nd St & McDowell Rd.....			19:00
41 / East / 172 / 20161860		Central Ave & Indian School Rd.	15:24			44th St & McDowell Rd.....			19:04
83rd Ave & Indian School Rd..	12:33	19th Ave & Indian School Rd.....	15:33			24th St & McDowell Rd.....			19:17
59th Ave & Indian School Rd.....	12:45	43rd Ave & Indian School Rd.....	15:54			Central Ave & McDowell Rd.....			19:28
43rd Ave & Indian School Rd.....	12:54	59th Ave & Indian School Rd.....	16:05			19th Ave & McDowell Rd.....			19:34
19th Ave & Indian School Rd.....	13:10	83rd Ave & Indian School Rd..	16:18			43rd Ave & McDowell Rd.....			19:49
Central Ave & Indian School Rd.	13:20	-----				67th Ave & McDowell Rd.....			20:00
Central Ave & Indian School Rd.	13:24	Deadhead				83rd Ave & McDowell Rd.....			20:07
24th St & Indian School Rd.....	13:38	83rd Ave & Indian School Rd..	16:18			99th Ave & McDowell Rd.....			20:15
32nd St & Indian School Rd.....	13:43	Thomas Rd at Desert Sky TC..	16:24			Litchfield Rd & McDowell Rd.....			20:30
44th St & Indian School Rd.....	13:49	-----				Pebble Creek Pkwy & McDow			20:37
56th St & Indian School Rd.....	13:55	29 / East / 31 / 20161100				-----			
Scottsdale Rd & Indian School	14:01	Thomas Rd at Desert Sky TC..	16:39			Pull In			
Granite Reef Rd & Indian Sch	14:09	67th Ave & Thomas Rd.....	16:47			Pebble Creek Pkwy & McDow			20:37
-----		51st Ave & Thomas Rd.....	16:55			West Transit Facility.....			20:57
Deadhead		35th Ave & Thomas Rd.....	17:02			-----			
Granite Reef Rd & Indian Sch	14:09	19th Ave & Thomas Rd.....	17:13						
Pima Rd & Chaparral Rd.....	14:13	Central Ave & Thomas Rd.....	17:24						
-----		24th St & Thomas Rd.....	17:36						
Deadhead		44th St & Thomas Rd.....	17:54						
Pima Rd & Chaparral Rd.....	14:29	56th St & Thomas Rd.....	18:02						
Granite Reef Rd & Indian Sch	14:33	Scottsdale Rd & Thomas Rd.....	18:09						
-----		Pima Park.....	18:19						

Phoenix West

Effective: 01/22/2024

2124

Weekday

Duty Type	Block	Report Time	Start Place	Start Time	End Time	End Place	Clear Time	Paid Time	Seat Time
ST	CAR 2047	12:08	WEST 75BU	12:13 12:23	12:23 22:02	75BU WEST	22:02	9h54	8h13

Sign-on	12:08	13 / West / 120 / 20161298				13 / West / 120 / 20161289			
		Sky Harbor West.....	15:13	Sky Harbor West.....	19:13				
Travel by	CAR	16th St & Buckeye Rd.....	15:23	16th St & Buckeye Rd.....	19:21				
		Central Ave & Buckeye Rd.....	15:30	Central Ave & Buckeye Rd.....	19:27				
Car Pull		19th Ave & Buckeye Rd.....	15:37	19th Ave & Buckeye Rd.....	19:33				
West Transit Facility.....	12:13	43rd Ave & Buckeye Rd.....	15:50	43rd Ave & Buckeye Rd.....	19:44				
75th Ave & Buckeye Rd.....	12:23	59th Ave & Buckeye Rd.....	15:57	59th Ave & Buckeye Rd.....	19:51				
		75th Ave & Buckeye Rd.....	16:07	75th Ave & Buckeye Rd.....	19:58				
Block	2047	Deadhead			Deadhead				
		13 / East / 36 / 20161667		13 / East / 36 / 20161675		13 / East / 36 / 20161686			
		75th Ave & Buckeye Rd.....	12:23	75th Ave & Buckeye Rd.....	16:07	75th Ave & Buckeye Rd.....	19:58		
		59th Ave & Buckeye Rd.....	12:27	59th Ave & Buckeye Rd.....	16:11	59th Ave & Buckeye Rd.....	20:02		
		43rd Ave & Buckeye Rd.....	12:33						
		19th Ave & Buckeye Rd.....	12:44	75th Ave & Buckeye Rd.....	16:22	75th Ave & Buckeye Rd.....	20:29		
		Central Ave & Buckeye Rd.....	12:51	59th Ave & Buckeye Rd.....	16:27	59th Ave & Buckeye Rd.....	20:33		
		16th St & Buckeye Rd.....	12:58	43rd Ave & Buckeye Rd.....	16:33	43rd Ave & Buckeye Rd.....	20:38		
		Sky Harbor West.....	13:07	19th Ave & Buckeye Rd.....	16:44	19th Ave & Buckeye Rd.....	20:48		
				Central Ave & Buckeye Rd.....	16:51	Central Ave & Buckeye Rd.....	20:54		
		13 / West / 120 / 20161306		16th St & Buckeye Rd.....	16:58	16th St & Buckeye Rd.....	20:59		
		Sky Harbor West.....	13:13	Sky Harbor West.....	17:07	Sky Harbor West.....	21:07		
		16th St & Buckeye Rd.....	13:21						
		Central Ave & Buckeye Rd.....	13:28	13 / West / 120 / 20161294		13 / West / 120 / 20161280			
		19th Ave & Buckeye Rd.....	13:35	Sky Harbor West.....	17:13	Sky Harbor West.....	21:13		
		43rd Ave & Buckeye Rd.....	13:48	16th St & Buckeye Rd.....	17:23	16th St & Buckeye Rd.....	21:21		
		59th Ave & Buckeye Rd.....	13:55	Central Ave & Buckeye Rd.....	17:30	Central Ave & Buckeye Rd.....	21:25		
		75th Ave & Buckeye Rd.....	14:02	19th Ave & Buckeye Rd.....	17:37	19th Ave & Buckeye Rd.....	21:31		
				43rd Ave & Buckeye Rd.....	17:50	43rd Ave & Buckeye Rd.....	21:40		
		Deadhead		59th Ave & Buckeye Rd.....	17:57	59th Ave & Buckeye Rd.....	21:45		
		75th Ave & Buckeye Rd.....	14:02	75th Ave & Buckeye Rd.....	18:07	75th Ave & Buckeye Rd.....	21:52		
		75th Ave & Buckeye Rd.....	14:06						
				Deadhead		Pull In			
		13 / East / 36 / 20161671		75th Ave & Buckeye Rd.....	18:07	75th Ave & Buckeye Rd.....	21:52		
		75th Ave & Buckeye Rd.....	14:22	75th Ave & Buckeye Rd.....	18:11	West Transit Facility.....	22:02		
		59th Ave & Buckeye Rd.....	14:27						
		43rd Ave & Buckeye Rd.....	14:33	13 / East / 36 / 20161679					
		19th Ave & Buckeye Rd.....	14:44	75th Ave & Buckeye Rd.....	18:23				
		Central Ave & Buckeye Rd.....	14:51	59th Ave & Buckeye Rd.....	18:28				
		16th St & Buckeye Rd.....	14:58	43rd Ave & Buckeye Rd.....	18:34				
		Sky Harbor West.....	15:07	19th Ave & Buckeye Rd.....	18:45				
				Central Ave & Buckeye Rd.....	18:52				
				16th St & Buckeye Rd.....	18:59				
				Sky Harbor West.....	19:07				

Phoenix West

Effective: 01/22/2024

2125

Weekday

Duty Type	Block	Report Time	Start Place	Start Time	End Time	End Place	Clear Time	Paid Time	Seat Time
ST	CAR 2068	12:15	WEST 94TH	12:20 12:34	12:34 19:18	94TH WEST	19:18	7h03	6h14

Sign-on	12:15	29 / West / 35 / 20161410				41 / East / 172 / 20161854			
		Pima Park.....	14:39			83rd Ave & Indian School Rd..	16:55		
Travel by	CAR	Scottsdale Rd & Thomas Rd.....	14:44			59th Ave & Indian School Rd.....	17:07		
		56th St & Thomas Rd.....	14:51			43rd Ave & Indian School Rd.....	17:16		
Car Pull		44th St & Thomas Rd.....	15:00			19th Ave & Indian School Rd.....	17:30		
West Transit Facility.....	12:20	24th St & Thomas Rd.....	15:13			Central Ave & Indian School Rd.	17:40		
94th Av Layover.....	12:34	Central Ave & Thomas Rd.....	15:32			Central Ave & Indian School Rd.	17:44		
		19th Ave & Thomas Rd.....	15:43			24th St & Indian School Rd.....	17:57		
Block	2068	35th Ave & Thomas Rd.....	15:59			32nd St & Indian School Rd.....	18:02		
		51st Ave & Thomas Rd.....	16:10			44th St & Indian School Rd.....	18:08		
Deadhead		67th Ave & Thomas Rd.....	16:19			56th St & Indian School Rd.....	18:14		
94th Av Layover.....	12:34	Desert Sky TC.....	16:30			Scottsdale Rd & Indian School	18:20		
93rd Ave & Thomas Rd.....	12:35					Granite Reef Rd & Indian Sch	18:28		
		Deadhead							
		Desert Sky TC.....	16:30			Pull In			
		83rd Ave & Indian School Rd..	16:36			Granite Reef Rd & Indian Sch	18:28		
						West Transit Facility.....	19:18		
		29 / East / 31 / 20161553							
93rd Ave & Thomas Rd.....	12:35								
Thomas Rd at Desert Sky TC....	12:41								
67th Ave & Thomas Rd.....	12:48								
51st Ave & Thomas Rd.....	12:55								
35th Ave & Thomas Rd.....	13:02								
19th Ave & Thomas Rd.....	13:12								
Central Ave & Thomas Rd.....	13:24								
24th St & Thomas Rd.....	13:36								
44th St & Thomas Rd.....	13:52								
56th St & Thomas Rd.....	13:58								
Scottsdale Rd & Thomas Rd.....	14:05								
Pima Park.....	14:14								

Phoenix West

Effective: 01/22/2024

2126

Weekday

Duty Type	Block	Report Time	Start Place	Start Time	End Time	End Place	Clear Time	Paid Time	Seat Time
ST	2142	12:19	WEST	12:24	19:29	WEST	19:29	7h10	6h05

Sign-on	12:19	17 / East / 123 / 20161125				Deadhead			
		43rd Ave & McDowell Rd.....		14:24		59th Ave & Indian School Rd...		16:55	
Block	2142	19th Ave & McDowell Rd.....		14:40		83rd Ave & Indian School Rd..		17:09	
		Central Ave & McDowell Rd.....		14:50		-----			
Pull Out		24th St & McDowell Rd.....		15:05		41 / East / 137 / 20161850			
West Transit Facility.....	12:39	44th St & McDowell Rd.....		15:17		83rd Ave & Indian School Rd..		17:30	
44th St & McDowell Rd.....	13:19	-----				59th Ave & Indian School Rd.....		17:42	
		Deadhead				43rd Ave & Indian School Rd.....		17:51	
17 / West / 124 / 20161227		44th St & McDowell Rd.....		15:17		19th Ave & Indian School Rd.....		18:05	
44th St & McDowell Rd.....	13:19	32nd St & Indian School Rd....		15:27		Central Ave & Indian School Rd.		18:15	
24th St & McDowell Rd.....	13:34	-----				Central Ave & Indian School Rd.		18:19	
Central Ave & McDowell Rd.....	13:47	41 / West / 139 / 20161903				24th St & Indian School Rd.....		18:32	
19th Ave & McDowell Rd.....	13:55	32nd St & Indian School Rd....		15:44		32nd St & Indian School Rd....		18:37	
43rd Ave & McDowell Rd.....	14:12	24th St & Indian School Rd.....		15:51		-----			
		Central Ave & Indian School Rd.		16:10		Pull In			
Deadhead		Central Ave & Indian School Rd.		16:14		32nd St & Indian School Rd....		18:37	
43rd Ave & McDowell Rd.....	14:12	19th Ave & Indian School Rd.....		16:23		West Transit Facility.....		19:29	
43rd Ave & McDowell Rd.....	14:17	43rd Ave & Indian School Rd.....		16:44		-----			
		59th Ave & Indian School Rd...		16:55					

Phoenix West

Effective: 01/22/2024

2127	Duty Type	Block	Report Time	Start Place	Start Time	End Time	End Place	Clear Time	Paid Time	Seat Time
Weekday	ST	CAR 2015	12:21	WEST 75LB	12:26 12:36	12:36 22:59	75LB WEST	22:59	10h38	7h18
Sign-on			12:21	Deadhead						
Travel by		CAR		Sierra Linda HS-South.....	15:28		67 / South / 254 / 20161641			
Car Pull				75th Ave & Lower Buckeye Rd	15:33		67th Ave & Thunderbird Rd.....			20:23
West Transit Facility.....	12:26			75 / North / 147 / 20161776			67th Ave & Olive Ave.....			20:40
75th Ave & Lower Buckeye Rd	12:36			75th Ave & Lower Buckeye Rd	16:11		67th Ave & Glendale Ave.....			20:48
Block		2015		75th Ave & Van Buren St.....	16:17		67th Ave & Camelback Rd.....			20:56
Deadhead				Desert Sky TC.....	16:37		67th Ave & Thomas Rd.....			21:03
75th Ave & Lower Buckeye Rd				75th Ave & Camelback Rd.....	16:50		67th Ave & Van Buren St.....			21:11
Sierra Linda HS-North.....	12:41			Deadhead			Sierra Linda HS-South.....			21:18
75th Ave & Lower Buckeye Rd	12:36			75th Ave & Camelback Rd.....	16:50		75th Ave & Lower Buckeye Rd			21:23
75th Ave & Lower Buckeye Rd				75th Ave & Camelback Rd.....	17:02		75th Ave & Lower Buckeye Rd			21:49
67 / North / 108 / 20161204				Desert Sky TC.....	17:47		75th Ave & Van Buren St.....			21:53
Sierra Linda HS-North.....	12:54			75th Ave & Van Buren St.....	18:01		Desert Sky TC.....			22:07
67th Ave & Van Buren St.....	13:05			75th Ave & Lower Buckeye Rd	18:05		75th Ave & Camelback Rd.....			22:15
67th Ave & Thomas Rd.....	13:15			Deadhead			Deadhead			
67th Ave & Camelback Rd.....	13:24			75th Ave & Lower Buckeye Rd	18:05		75th Ave & Camelback Rd.....			22:15
67th Ave & Glendale Ave.....	13:35			Sierra Linda HS-North.....	18:10		67th Ave & Camelback Rd.....			22:18
67th Ave & Olive Ave.....	13:44			67 / North / 108 / 20161162			67 / South / 254 / 20161584			
67th Ave & Thunderbird Rd.....	13:54			Sierra Linda HS-North.....	18:58		67th Ave & Camelback Rd.....			22:26
67th Ave & Union Hills Dr.....	14:04			67th Ave & Van Buren St.....	19:06		67th Ave & Thomas Rd.....			22:33
67th Ave & Union Hills Dr.....	14:09			67th Ave & Thomas Rd.....	19:16		67th Ave & Van Buren St.....			22:41
67 / South / 254 / 20161623				67th Ave & Camelback Rd.....	19:24		Sierra Linda HS-South.....			22:48
67th Ave & Union Hills Dr.....	14:20			67th Ave & Glendale Ave.....	19:35		Pull In			
67th Ave & Thunderbird Rd.....	14:29			67th Ave & Olive Ave.....	19:42		Sierra Linda HS-South.....			22:48
67th Ave & Olive Ave.....	14:39			67th Ave & Thunderbird Rd.....	19:51		West Transit Facility.....			22:59
67th Ave & Glendale Ave.....	14:47			67th Ave & Union Hills Dr.....	20:01					
67th Ave & Camelback Rd.....	14:56			Deadhead						
67th Ave & Thomas Rd.....	15:06			67th Ave & Union Hills Dr.....	20:01					
67th Ave & Van Buren St.....	15:18			67th Ave & Union Hills Dr.....	20:05					
Sierra Linda HS-South.....	15:28									

Phoenix West

Effective: 01/22/2024

2128

Weekday

Duty Type	Block	Report Time	Start Place	Start Time	End Time	End Place	Clear Time	Paid Time	Seat Time
ST	2143	12:23	WEST	12:28	19:52	WEST	19:52	7h29	6h24

Sign-on	12:23	29 / West / 199 / 20161414			Deadhead				
		Pima Park.....		14:55	94th Av Layover.....			17:18	
Block	2143	Scottsdale Rd & Thomas Rd.....		15:00	93rd Ave & Thomas Rd.....			17:19	
		56th St & Thomas Rd.....		15:07	-----				
Pull Out		44th St & Thomas Rd.....		15:16	29 / East / 31 / 20161568				
West Transit Facility.....	12:43	24th St & Thomas Rd.....		15:29	93rd Ave & Thomas Rd.....			17:19	
Thomas Rd at Desert Sky TC..	12:57	Central Ave & Thomas Rd.....		15:48	Thomas Rd at Desert Sky TC....			17:25	
		19th Ave & Thomas Rd.....		15:59	67th Ave & Thomas Rd.....			17:33	
		29 / East / 31 / 20161158			51st Ave & Thomas Rd.....			17:41	
Thomas Rd at Desert Sky TC..	12:57	35th Ave & Thomas Rd.....		16:15	35th Ave & Thomas Rd.....			17:48	
		51st Ave & Thomas Rd.....		16:26	19th Ave & Thomas Rd.....			17:59	
67th Ave & Thomas Rd.....	13:04	67th Ave & Thomas Rd.....		16:35	Central Ave & Thomas Rd.....			18:10	
51st Ave & Thomas Rd.....	13:11	Desert Sky TC.....		16:46	24th St & Thomas Rd.....			18:22	
35th Ave & Thomas Rd.....	13:18	Desert Sky TC.....		16:49	93rd Ave & Thomas Rd.....			16:56	
19th Ave & Thomas Rd.....	13:28	93rd Ave & Thomas Rd.....		16:56	44th St & Thomas Rd.....			18:40	
Central Ave & Thomas Rd.....	13:40	-----			56th St & Thomas Rd.....			18:48	
24th St & Thomas Rd.....	13:52	Deadhead			Scottsdale Rd & Thomas Rd.....			18:54	
44th St & Thomas Rd.....	14:08	93rd Ave & Thomas Rd.....		16:56	Pima Park.....			19:02	
56th St & Thomas Rd.....	14:15	94th Av Layover.....		16:57	-----				
Scottsdale Rd & Thomas Rd.....	14:22								
Pima Park.....	14:31				Pull In				
					Pima Park.....			19:02	
					West Transit Facility.....			19:52	

Phoenix West

Effective: 01/22/2024

2129

Weekday

Duty Type	Block	Report Time	Start Place	Start Time	End Time	End Place	Clear Time	Paid Time	Seat Time
ST	CAR 2044	12:27	WEST 83VB	12:32 12:40	12:40 23:14	83VB WEST	23:14	10h47	8h30

Sign-on	12:27	Deadhead				Deadhead			
		Arrowhead Mall North.....		16:08		83rd Ave & Van Buren St.....		19:45	
Travel by	CAR	Arrowhead Mall Layover.....		16:10		83rd Ave & Van Buren St.....		19:49	
Car Pull		Deadhead				83 / North / 183 / 20161060			
West Transit Facility.....	12:32	Arrowhead Mall Layover.....		16:18		83rd Ave & Van Buren St.....		20:10	
83rd Ave & Van Buren St.....	12:40	Arrowhead Mall North.....		16:20		Desert Sky TC.....		20:21	
Block	2044	83 / South / 155 / 20161784				83rd Ave & Camelback Rd.....		20:29	
		Arrowhead Mall North.....		16:20		83rd Ave & Glendale Ave.....		20:35	
83 / North / 183 / 20161029		83rd Ave & Thunderbird Rd.....		16:32		83rd Ave & Peoria Ave.....		20:46	
83rd Ave & Van Buren St.....	12:40	83rd Ave & Peoria Ave.....		16:38		Arrowhead Mall North.....		21:02	
Desert Sky TC.....	12:51	83rd Ave & Glendale Ave.....		16:51					
83rd Ave & Camelback Rd.....	13:01	83rd Ave & Camelback Rd.....		16:57		Deadhead			
83rd Ave & Glendale Ave.....	13:07	Desert Sky TC.....		17:06		Arrowhead Mall North.....		21:02	
83rd Ave & Peoria Ave.....	13:19	83rd Ave & Van Buren St.....		17:17		Arrowhead Mall Layover.....		21:04	
83rd Ave & Thunderbird Rd.....	13:25								
Arrowhead Mall North.....	13:36	Deadhead				Deadhead			
		83rd Ave & Van Buren St.....		17:17		Arrowhead Mall Layover.....		21:23	
Deadhead		83rd Ave & Van Buren St.....		17:21		Arrowhead Mall North.....		21:25	
Arrowhead Mall North.....	13:36	83 / North / 183 / 20161046				83 / South / 155 / 20160952			
Arrowhead Mall Layover.....	13:38	83rd Ave & Van Buren St.....		17:39		Arrowhead Mall North.....		21:25	
Deadhead		Desert Sky TC.....		17:51		83rd Ave & Thunderbird Rd.....		21:35	
Arrowhead Mall Layover.....	13:50	83rd Ave & Camelback Rd.....		18:01		83rd Ave & Peoria Ave.....		21:41	
Arrowhead Mall North.....	13:52	83rd Ave & Glendale Ave.....		18:07		83rd Ave & Glendale Ave.....		21:52	
		83rd Ave & Peoria Ave.....		18:20		83rd Ave & Camelback Rd.....		21:58	
83 / South / 155 / 20161767		83rd Ave & Thunderbird Rd.....		18:26		Desert Sky TC.....		22:06	
Arrowhead Mall North.....	13:52	Arrowhead Mall North.....		18:38		83rd Ave & Van Buren St.....		22:15	
83rd Ave & Thunderbird Rd.....	14:03								
83rd Ave & Peoria Ave.....	14:09	Deadhead				Deadhead			
83rd Ave & Glendale Ave.....	14:21	Arrowhead Mall North.....		18:38		83rd Ave & Van Buren St.....		22:15	
83rd Ave & Camelback Rd.....	14:27	Arrowhead Mall Layover.....		18:40		83rd Ave & Van Buren St.....		22:19	
Desert Sky TC.....	14:36								
83rd Ave & Van Buren St.....	14:46	Deadhead				83 / North / 153 / 20161963			
		Arrowhead Mall Layover.....		18:52		83rd Ave & Van Buren St.....		22:41	
Deadhead		Arrowhead Mall North.....		18:54		Desert Sky TC.....		22:51	
83rd Ave & Van Buren St.....	14:46					83rd Ave & Camelback Rd.....		22:59	
83rd Ave & Van Buren St.....	14:50	83 / South / 155 / 20161798							
		Arrowhead Mall North.....		18:54		Pull In			
83 / North / 183 / 20161037		83rd Ave & Thunderbird Rd.....		19:04		83rd Ave & Camelback Rd.....		22:59	
83rd Ave & Van Buren St.....	15:10	83rd Ave & Peoria Ave.....		19:10		West Transit Facility.....		23:14	
Desert Sky TC.....	15:21	83rd Ave & Glendale Ave.....		19:21					
83rd Ave & Camelback Rd.....	15:31	83rd Ave & Camelback Rd.....		19:27					
83rd Ave & Glendale Ave.....	15:37	Desert Sky TC.....		19:36					
83rd Ave & Peoria Ave.....	15:50	83rd Ave & Van Buren St.....		19:45					
83rd Ave & Thunderbird Rd.....	15:56								
Arrowhead Mall North.....	16:08								

Phoenix West

Effective: 01/22/2024

2130
Weekday

Duty Type	Block	Report Time	Start Place	Start Time	End Time	End Place	Clear Time	Paid Time	Seat Time
ST	CAR	12:28	WEST	12:33	12:45	51VB			
	2032		51VB	12:45	20:51	BA51			
	CAR		BA51	20:51	21:17	WEST	21:17	8h49	7h02

Sign-on	12:28	51 / South / 28 / 20161028	51 / South / 27 / 20161055
		ASU West Campus.....	ASU West Campus.....
Travel by	CAR	51st Ave & Olive Ave.....	51st Ave & Olive Ave.....
		51st Ave & Glendale Ave.....	51st Ave & Glendale Ave.....
Car Pull		51st Ave & Camelback Rd.....	51st Ave & Camelback Rd.....
West Transit Facility.....	12:33	51st Ave & Thomas Rd.....	51st Ave & Thomas Rd.....
51st Ave & Van Buren St.....	12:45	51st Ave & Van Buren St.....	51st Ave & Van Buren St.....
		51st Ave & Lower Buckeye Rd...	51st Ave & Lower Buckeye Rd...
Block	2032	51st Ave & Baseline Rd.....	51st Ave & Baseline Rd.....
		Vee Quiva Casino.....
		Komatke Health Center.....	Deadhead
51 / South / 28 / 20161003		51st Ave & Pecos Rd.....	51st Ave & Baseline Rd.....
51st Ave & Van Buren St.....	12:45	51st Ave & Baseline Rd.....
51st Ave & Lower Buckeye Rd...	12:52		
51st Ave & Baseline Rd.....	13:00	51 / North / 206 / 20161331	
Vee Quiva Casino.....	13:13	51st Ave & Pecos Rd.....	Travel by
Komatke Health Center.....	13:28	Vee Quiva Casino.....	CAR
51st Ave & Pecos Rd.....	13:32	51st Ave & Baseline Rd.....	Car Pull
.....		51st Ave & Lower Buckeye Rd...	51st Ave & Baseline Rd.....
51 / North / 206 / 20161325		51st Ave & Van Buren St.....	West Transit Facility.....
51st Ave & Pecos Rd.....	13:56	51st Ave & Thomas Rd.....	
Vee Quiva Casino.....	14:06	51st Ave & Camelback Rd.....	51 / North / 206 / 20161336
51st Ave & Baseline Rd.....	14:18	51st Ave & Glendale Ave.....	51st Ave & Baseline Rd.....
51st Ave & Lower Buckeye Rd...	14:26	51st Ave & Olive Ave.....	51st Ave & Lower Buckeye Rd
51st Ave & Van Buren St.....	14:33	ASU West Campus.....	51st Ave & Van Buren St.....
51st Ave & Thomas Rd.....	14:42	51st Ave & Thomas Rd.....
51st Ave & Camelback Rd.....	14:52		51st Ave & Camelback Rd.....
51st Ave & Glendale Ave.....	15:00		51st Ave & Glendale Ave.....
51st Ave & Olive Ave.....	15:07		51st Ave & Olive Ave.....
ASU West Campus.....	15:22		ASU West Campus.....

Phoenix West

Effective: 01/22/2024

2131
Weekday

Duty Type	Block	Report Time	Start Place	Start Time	End Time	End Place	Clear Time	Paid Time	Seat Time
ST	2146	12:39	WEST	12:44	19:38	WEST	19:38	6h59	6h13

Sign-on	12:39	Deadhead	41 / East / 172 / 20161940
		Pima Rd & McDowell Rd.....	14:48 107th Ave & Indian School Rd. 17:05
Block	2146	Pima Rd & McDowell Rd.....	14:55 83rd Ave & Indian School Rd..... 17:15
		-----	59th Ave & Indian School Rd..... 17:27
Pull Out		17 / West / 125 / 20161560	43rd Ave & Indian School Rd..... 17:36
West Transit Facility.....	12:59	Pima Rd & McDowell Rd.....	15:10 19th Ave & Indian School Rd..... 17:50
83rd Ave & McDowell Rd.....	13:13	Scottsdale Rd & McDowell Rd....	15:17 Central Ave & Indian School Rd. 18:00
		-----	52nd St & McDowell Rd..... 15:25 Central Ave & Indian School Rd. 18:04
		17 / East / 132 / 20160980	44th St & McDowell Rd..... 15:29 24th St & Indian School Rd..... 18:17
83rd Ave & McDowell Rd.....	13:13	24th St & McDowell Rd.....	15:44 32nd St & Indian School Rd..... 18:22
67th Ave & McDowell Rd.....	13:20	Central Ave & McDowell Rd.....	15:57 44th St & Indian School Rd..... 18:28
43rd Ave & McDowell Rd.....	13:34	19th Ave & McDowell Rd.....	16:05 56th St & Indian School Rd..... 18:34
19th Ave & McDowell Rd.....	13:50	43rd Ave & McDowell Rd.....	16:22 Scottsdale Rd & Indian School 18:40
Central Ave & McDowell Rd.....	14:00	67th Ave & McDowell Rd.....	16:34 Granite Reef Rd & Indian Sch 18:48
24th St & McDowell Rd.....	14:15	83rd Ave & McDowell Rd.....	16:41
44th St & McDowell Rd.....	14:27	-----	-----
52nd St & McDowell Rd.....	14:31	Deadhead	Pull In
Scottsdale Rd & McDowell Rd....	14:40	83rd Ave & McDowell Rd.....	16:41 Granite Reef Rd & Indian Sch 18:48
Pima Rd & McDowell Rd.....	14:48	107th Ave & Indian School Rd.	16:54 West Transit Facility..... 19:38
		-----	-----

Phoenix West

Effective: 01/22/2024

2132

Weekday

Duty Type	Block	Report Time	Start Place	Start Time	End Time	End Place	Clear Time	Paid Time	Seat Time
ST	CAR 2002	12:38	WEST 83VB	12:43 12:51	12:51 20:31	83VB WEST	20:31	7h53	6h30

Sign-on	12:38	3 / West / 546 / 20162140									
		Phoenix Zoo.....		14:39						Phoenix Zoo.....	18:44
Travel by	CAR	Galvin Pkwy & Van Buren St.....		14:42						Galvin Pkwy & Van Buren St...	18:49
		44th St & Van Buren St.....		14:50							
Car Pull		24th St & Van Buren St.....		15:03							
		2nd Ave & Van Buren St.....		15:18						3 / West / 104 / 20162157	
West Transit Facility.....	12:43	19th Ave & Van Buren St.....		15:27						Galvin Pkwy & Van Buren St...	19:20
83rd Ave & Van Buren St.....	12:51	35th Ave & Van Buren St.....		15:37						44th St & Van Buren St.....	19:27
		51st Ave & Van Buren St.....		15:47						24th St & Van Buren St.....	19:36
Block	2002	67th Ave & Van Buren St.....		15:56						2nd Ave & Van Buren St.....	19:48
		83rd Ave & Van Buren St.....		16:04						19th Ave & Van Buren St.....	19:55
		99th Ave & Van Buren St.....		16:12						35th Ave & Van Buren St.....	20:04
3 / East / 86 / 20162068		Avondale Civic Center.....		16:20						51st Ave & Van Buren St.....	20:12
83rd Ave & Van Buren St.....	12:51	4th St & La Canada Blvd.....		16:31						67th Ave & Van Buren St.....	20:19
67th Ave & Van Buren St.....	12:56									83rd Ave & Van Buren St.....	20:26
51st Ave & Van Buren St.....	13:09										
35th Ave & Van Buren St.....	13:20										
19th Ave & Van Buren St.....	13:31	3 / East / 86 / 20162086									
Central Ave & Van Buren St.....	13:40	4th St & La Canada Blvd.....		16:53						Pull In	
24th St & Van Buren St.....	13:54	Avondale Civic Center.....		17:07						83rd Ave & Van Buren St.....	20:26
44th St & Van Buren St.....	14:03	99th Ave & Van Buren St.....		17:13						West Transit Facility.....	20:31
Galvin Pkwy & Van Buren St.....	14:10	83rd Ave & Van Buren St.....		17:21							
Phoenix Zoo.....	14:14	67th Ave & Van Buren St.....		17:26							
		51st Ave & Van Buren St.....		17:39							
		35th Ave & Van Buren St.....		17:50							
		19th Ave & Van Buren St.....		18:01							
		Central Ave & Van Buren St.....		18:10							
		24th St & Van Buren St.....		18:24							
		44th St & Van Buren St.....		18:33							
		Galvin Pkwy & Van Buren St.....		18:40							
		Phoenix Zoo.....		18:44							

Phoenix West

Effective: 01/22/2024

2133

Weekday

Duty Type	Block	Report Time	Start Place	Start Time	End Time	End Place	Clear Time	Paid Time	Seat Time
ST	2147	12:44	WEST	12:49	18:47	WEST	18:47	6h03	5h04

Sign-on	12:44	29 / East / 133 / 20161375				Deadhead			
		51st Ave & Thomas Rd.....		14:53		43rd Ave & McDowell Rd.....		17:12	
Block	2147	35th Ave & Thomas Rd.....		15:01		43rd Ave & McDowell Rd.....		17:17	
		19th Ave & Thomas Rd.....		15:12		-----			
Pull Out		Central Ave & Thomas Rd.....		15:24		17 / East / 123 / 20161135			
West Transit Facility.....	13:04	24th St & Thomas Rd.....		15:37		43rd Ave & McDowell Rd.....		17:24	
44th St & Thomas Rd.....	13:39	44th St & Thomas Rd.....		15:55		19th Ave & McDowell Rd.....		17:40	
		-----				Central Ave & McDowell Rd.....		17:50	
29 / West / 134 / 20161271		Deadhead				24th St & McDowell Rd.....		18:05	
44th St & Thomas Rd.....	13:39	44th St & Thomas Rd.....		15:55		44th St & McDowell Rd.....		18:17	
24th St & Thomas Rd.....	13:51	44th St & McDowell Rd.....		16:00		-----			
Central Ave & Thomas Rd.....	14:04	-----				Pull In			
19th Ave & Thomas Rd.....	14:14	17 / West / 124 / 20161240				44th St & McDowell Rd.....		18:17	
35th Ave & Thomas Rd.....	14:25	44th St & McDowell Rd.....		16:19		West Transit Facility.....		18:47	
51st Ave & Thomas Rd.....	14:34	24th St & McDowell Rd.....		16:34		-----			
		Central Ave & McDowell Rd.....		16:47					
Deadhead		19th Ave & McDowell Rd.....		16:55					
51st Ave & Thomas Rd.....	14:34	43rd Ave & McDowell Rd.....		17:12					
51st Ave & Thomas Rd.....	14:40	-----							

Phoenix West

Effective: 01/22/2024

2134

Weekday

Duty Type	Block	Report Time	Start Place	Start Time	End Time	End Place	Clear Time	Paid Time	Seat Time
ST	CAR 2089	12:46	WEST 75LB	12:51 13:06	13:06 23:29	75LB WEST	23:29	10h43	7h19

Sign-on	12:46	Deadhead			67 / South / 254 / 20161645				
		Sierra Linda HS-South.....	15:58	67th Ave & Union Hills Dr.....	20:54				
Travel by	CAR	75th Ave & Lower Buckeye Rd	16:03	67th Ave & Thunderbird Rd.....	21:02				
				67th Ave & Olive Ave.....	21:10				
Car Pull		75 / North / 147 / 20161777		67th Ave & Glendale Ave.....	21:18				
West Transit Facility.....	12:51	75th Ave & Lower Buckeye Rd	16:41	67th Ave & Camelback Rd.....	21:26				
75th Ave & Lower Buckeye Rd	13:06	75th Ave & Van Buren St.....	16:47	67th Ave & Thomas Rd.....	21:33				
		Desert Sky TC.....	17:07	67th Ave & Van Buren St.....	21:41				
Block	2089	75th Ave & Camelback Rd.....	17:20	Sierra Linda HS-South.....	21:48				
Deadhead		Deadhead		Deadhead					
75th Ave & Lower Buckeye Rd	13:06	75th Ave & Camelback Rd.....	17:20	Sierra Linda HS-South.....	21:48				
Sierra Linda HS-North.....	13:11	75th Ave & Camelback Rd.....	17:32	75th Ave & Lower Buckeye Rd	21:53				
67 / North / 108 / 20161202		75 / South / 149 / 20161719		75 / North / 147 / 20161794					
Sierra Linda HS-North.....	13:24	75th Ave & Camelback Rd.....	18:05	75th Ave & Lower Buckeye Rd	22:19				
67th Ave & Van Buren St.....	13:35	Desert Sky TC.....	18:17	75th Ave & Van Buren St.....	22:23				
67th Ave & Thomas Rd.....	13:45	75th Ave & Van Buren St.....	18:31	Desert Sky TC.....	22:37				
67th Ave & Camelback Rd.....	13:54	75th Ave & Lower Buckeye Rd	18:35	75th Ave & Camelback Rd.....	22:45				
67th Ave & Glendale Ave.....	14:05	Deadhead		Deadhead					
67th Ave & Olive Ave.....	14:14	75th Ave & Lower Buckeye Rd	18:35	75th Ave & Camelback Rd.....	22:45				
67th Ave & Thunderbird Rd.....	14:24	Sierra Linda HS-North.....	18:40	67th Ave & Camelback Rd.....	22:48				
67th Ave & Union Hills Dr.....	14:34								
Deadhead		67 / North / 108 / 20161157		67 / South / 254 / 20161586					
67th Ave & Union Hills Dr.....	14:34	Sierra Linda HS-North.....	19:29	67th Ave & Camelback Rd.....	22:56				
67th Ave & Union Hills Dr.....	14:39	67th Ave & Van Buren St.....	19:37	67th Ave & Thomas Rd.....	23:03				
67 / South / 254 / 20161620		67th Ave & Thomas Rd.....	19:46	67th Ave & Van Buren St.....	23:11				
67th Ave & Union Hills Dr.....	14:50	67th Ave & Camelback Rd.....	19:54	Sierra Linda HS-South.....	23:18				
67th Ave & Thunderbird Rd.....	14:59	67th Ave & Glendale Ave.....	20:05						
67th Ave & Olive Ave.....	15:09	67th Ave & Olive Ave.....	20:12	Pull In					
67th Ave & Glendale Ave.....	15:17	67th Ave & Thunderbird Rd.....	20:20	Sierra Linda HS-South.....	23:18				
67th Ave & Camelback Rd.....	15:26	67th Ave & Union Hills Dr.....	20:29	West Transit Facility.....	23:29				
67th Ave & Thomas Rd.....	15:36	Deadhead							
67th Ave & Van Buren St.....	15:48	67th Ave & Union Hills Dr.....	20:29						
Sierra Linda HS-South.....	15:58	67th Ave & Union Hills Dr.....	20:33						

Phoenix West

Effective: 01/22/2024

2135

Weekday

Duty Type	Block	Report Time	Start Place	Start Time	End Time	End Place	Clear Time	Paid Time	Seat Time
ST	CAR 2049	12:52	WEST 44IN	12:57 13:33	13:33 23:17	44IN WEST	23:17	10h25	9h08

Sign-on	12:52	Deadhead				17 / East / 132 / 20160954			
		Pima Rd & McDowell Rd.....		16:48		Pebble Creek Pkwy & McDow		19:40	
Travel by	CAR	Pima Rd & McDowell Rd.....		16:55		Litchfield Rd & McDowell Rd.....		19:47	
						99th Ave & McDowell Rd.....		20:02	
Car Pull		17 / West / 127 / 20161551				83rd Ave & McDowell Rd.....		20:10	
West Transit Facility.....	12:57	Pima Rd & McDowell Rd.....		17:10		67th Ave & McDowell Rd.....		20:17	
44th St & Indian School Rd.....	13:33	Scottsdale Rd & McDowell Rd....		17:17		43rd Ave & McDowell Rd.....		20:28	
		52nd St & McDowell Rd.....		17:25		19th Ave & McDowell Rd.....		20:42	
Block	2049	44th St & McDowell Rd.....		17:29		Central Ave & McDowell Rd.....		20:50	
		24th St & McDowell Rd.....		17:44		24th St & McDowell Rd.....		21:02	
		Central Ave & McDowell Rd.....		17:57		44th St & McDowell Rd.....		21:11	
41 / West / 141 / 20161833		19th Ave & McDowell Rd.....		18:05		52nd St & McDowell Rd.....		21:14	
44th St & Indian School Rd.....	13:33	43rd Ave & McDowell Rd.....		18:22		Scottsdale Rd & McDowell Rd....		21:20	
32nd St & Indian School Rd.....	13:39	67th Ave & McDowell Rd.....		18:34		Pima Rd & McDowell Rd.....		21:27	
24th St & Indian School Rd.....	13:46	83rd Ave & McDowell Rd.....		18:41					
Central Ave & Indian School Rd.	14:00	99th Ave & McDowell Rd.....		18:49		Deadhead			
Central Ave & Indian School Rd.	14:04	Litchfield Rd & McDowell Rd.....		19:04		Pima Rd & McDowell Rd.....		21:27	
19th Ave & Indian School Rd.....	14:13	Pebble Creek Pkwy & McDow		19:11		52nd St & McDowell Rd.....		21:42	
43rd Ave & Indian School Rd.....	14:30								
59th Ave & Indian School Rd.....	14:40	Deadhead				17 / West / 253 / 20161399			
83rd Ave & Indian School Rd..	14:53	Pebble Creek Pkwy & McDow		19:11		52nd St & McDowell Rd.....		22:04	
		Pebble Creek Pkwy & McDow		19:18		44th St & McDowell Rd.....		22:07	
Deadhead						24th St & McDowell Rd.....		22:17	
83rd Ave & Indian School Rd..	14:53					Central Ave & McDowell Rd.....		22:27	
83rd Ave & McDowell Rd.....	15:00					19th Ave & McDowell Rd.....		22:32	
						43rd Ave & McDowell Rd.....		22:44	
17 / East / 132 / 20160986						67th Ave & McDowell Rd.....		22:53	
83rd Ave & McDowell Rd.....	15:13					83rd Ave & McDowell Rd.....		23:00	
67th Ave & McDowell Rd.....	15:20					99th Ave & McDowell Rd.....		23:07	
43rd Ave & McDowell Rd.....	15:34								
19th Ave & McDowell Rd.....	15:50					Pull In			
Central Ave & McDowell Rd.....	16:00					99th Ave & McDowell Rd.....		23:07	
24th St & McDowell Rd.....	16:15					West Transit Facility.....		23:17	
44th St & McDowell Rd.....	16:27								
52nd St & McDowell Rd.....	16:31								
Scottsdale Rd & McDowell Rd....	16:40								
Pima Rd & McDowell Rd.....	16:48								

Phoenix West

Effective: 01/22/2024

2136
Weekday

Duty Type	Block	Report Time	Start Place	Start Time	End Time	End Place	Clear Time	Paid Time	Seat Time
ST	CAR 2058	12:51	WEST 83VB	12:56 13:04	13:04 20:40	83VB WEST	20:40	7h49	6h26

Sign-on	12:51	3 / West / 546 / 20162146	3 / East / 181 / 20162092
		Phoenix Zoo.....	16:09
Travel by	CAR	Galvin Pkwy & Van Buren St.....	18:32
		44th St & Van Buren St.....	18:46
		44th St & Van Buren St.....	18:52
Car Pull		24th St & Van Buren St.....	18:52
		83rd Ave & Van Buren St.....	19:00
West Transit Facility.....	12:56	2nd Ave & Van Buren St.....	19:05
83rd Ave & Van Buren St.....	13:04	19th Ave & Van Buren St.....	19:05
		19th Ave & Van Buren St.....	19:14
		35th Ave & Van Buren St.....	19:23
Block	2058	51st Ave & Van Buren St.....	19:23
		51st Ave & Van Buren St.....	19:32
		67th Ave & Van Buren St.....	19:40
		67th Ave & Van Buren St.....	19:40
3 / West / 546 / 20162129		83rd Ave & Van Buren St.....	19:50
83rd Ave & Van Buren St.....	13:04	83rd Ave & Van Buren St.....	19:50
99th Ave & Van Buren St.....	13:12	99th Ave & Van Buren St.....	19:58
Avondale Civic Center.....	13:20	Avondale Civic Center.....	19:58
4th St & La Canada Blvd.....	13:31	4th St & La Canada Blvd.....	20:05

3 / East / 86 / 20162074			Pull In
4th St & La Canada Blvd.....	13:53		Galvin Pkwy & Van Buren St... 20:05
Avondale Civic Center.....	14:07		West Transit Facility..... 20:40
99th Ave & Van Buren St.....	14:13		
83rd Ave & Van Buren St.....	14:21		
67th Ave & Van Buren St.....	14:26		
51st Ave & Van Buren St.....	14:39		
35th Ave & Van Buren St.....	14:50		
19th Ave & Van Buren St.....	15:01		
Central Ave & Van Buren St.....	15:10		
24th St & Van Buren St.....	15:24		
44th St & Van Buren St.....	15:33		
Galvin Pkwy & Van Buren St.....	15:40		
Phoenix Zoo.....	15:44		

Phoenix West

Effective: 01/22/2024

2137

Weekday

Duty Type	Block	Report Time	Start Place	Start Time	End Time	End Place	Clear Time	Paid Time	Seat Time
ST	2149	12:55	WEST	13:00	21:28	WEST	21:28	8h33	7h11

Sign-on	12:55	Deadhead				29 / West / 199 / 20161392			
		93rd Ave & Thomas Rd.....		17:27		Pima Park.....			19:43
Block	2149	94th Av Layover.....		17:28		Scottsdale Rd & Thomas Rd.....			19:47
						56th St & Thomas Rd.....			19:54
Pull Out		Deadhead				44th St & Thomas Rd.....			20:01
West Transit Facility.....	13:15	94th Av Layover.....		17:48		24th St & Thomas Rd.....			20:13
Thomas Rd at Desert Sky TC..	13:29	93rd Ave & Thomas Rd.....		17:49		Central Ave & Thomas Rd.....			20:25
						19th Ave & Thomas Rd.....			20:35
29 / East / 31 / 20161144		29 / East / 31 / 20161570				35th Ave & Thomas Rd.....			20:44
Thomas Rd at Desert Sky TC..	13:29	93rd Ave & Thomas Rd.....		17:49		51st Ave & Thomas Rd.....			20:52
67th Ave & Thomas Rd.....	13:36	Thomas Rd at Desert Sky TC....		17:55		67th Ave & Thomas Rd.....			20:59
51st Ave & Thomas Rd.....	13:43	67th Ave & Thomas Rd.....		18:03		Desert Sky TC.....			21:06
35th Ave & Thomas Rd.....	13:50	51st Ave & Thomas Rd.....		18:11		Desert Sky TC.....			21:09
19th Ave & Thomas Rd.....	14:00	35th Ave & Thomas Rd.....		18:18		93rd Ave & Thomas Rd.....			21:15
Central Ave & Thomas Rd.....	14:12	19th Ave & Thomas Rd.....		18:29					
24th St & Thomas Rd.....	14:24	Central Ave & Thomas Rd.....		18:40		Pull In			
44th St & Thomas Rd.....	14:40	24th St & Thomas Rd.....		18:52		93rd Ave & Thomas Rd.....			21:15
56th St & Thomas Rd.....	14:47	44th St & Thomas Rd.....		19:06		West Transit Facility.....			21:28
Scottsdale Rd & Thomas Rd.....	14:54	56th St & Thomas Rd.....		19:12					
Pima Park.....	15:03	Scottsdale Rd & Thomas Rd.....		19:17					
		Pima Park.....		19:25					
29 / West / 199 / 20161406									
Pima Park.....	15:27								
Scottsdale Rd & Thomas Rd.....	15:32								
56th St & Thomas Rd.....	15:39								
44th St & Thomas Rd.....	15:48								
24th St & Thomas Rd.....	16:01								
Central Ave & Thomas Rd.....	16:20								
19th Ave & Thomas Rd.....	16:31								
35th Ave & Thomas Rd.....	16:47								
51st Ave & Thomas Rd.....	16:58								
67th Ave & Thomas Rd.....	17:07								
Desert Sky TC.....	17:17								
Desert Sky TC.....	17:20								
93rd Ave & Thomas Rd.....	17:27								

Phoenix West

Effective: 01/22/2024

2138

Weekday

Duty Type	Block	Report Time	Start Place	Start Time	End Time	End Place	Clear Time	Paid Time	Seat Time
ST	CAR 2050	12:56	WEST 44TH	13:01 13:36	13:36 23:36	44TH WEST	23:36	10h40	8h29

Sign-on	12:56	Deadhead	Deadhead
Travel by	CAR	93rd Ave & Thomas Rd..... 16:24	93rd Ave & Thomas Rd..... 20:45
Car Pull		Deadhead	Deadhead
West Transit Facility..... 13:01		94th Av Layover..... 16:48	94th Av Layover..... 21:27
44th St & Thomas Rd..... 13:36		93rd Ave & Thomas Rd..... 16:49	93rd Ave & Thomas Rd..... 21:28
Block	2050	29 / East / 31 / 20161571	29 / East / 31 / 20161593
		93rd Ave & Thomas Rd..... 16:49	93rd Ave & Thomas Rd..... 21:28
29 / East / 31 / 20161173		Thomas Rd at Desert Sky TC.... 16:55	Thomas Rd at Desert Sky TC.... 21:33
44th St & Thomas Rd..... 13:36		67th Ave & Thomas Rd..... 17:03	67th Ave & Thomas Rd..... 21:40
56th St & Thomas Rd..... 13:42		51st Ave & Thomas Rd..... 17:11	51st Ave & Thomas Rd..... 21:48
Scottsdale Rd & Thomas Rd..... 13:48		35th Ave & Thomas Rd..... 17:18	35th Ave & Thomas Rd..... 21:54
Pima Park..... 13:57		19th Ave & Thomas Rd..... 17:29	19th Ave & Thomas Rd..... 22:02
		Central Ave & Thomas Rd..... 17:40	Central Ave & Thomas Rd..... 22:10
29 / West / 199 / 20161411		24th St & Thomas Rd..... 17:52	24th St & Thomas Rd..... 22:19
Pima Park..... 14:25		44th St & Thomas Rd..... 18:10	44th St & Thomas Rd..... 22:30
Scottsdale Rd & Thomas Rd..... 14:30		56th St & Thomas Rd..... 18:18	56th St & Thomas Rd..... 22:35
56th St & Thomas Rd..... 14:37		Scottsdale Rd & Thomas Rd..... 18:25	Scottsdale Rd & Thomas Rd..... 22:40
44th St & Thomas Rd..... 14:46		Pima Park..... 18:35	Pima Park..... 22:46
24th St & Thomas Rd..... 14:58			
Central Ave & Thomas Rd..... 15:16		29 / West / 199 / 20161394	Pull In
19th Ave & Thomas Rd..... 15:27		Pima Park..... 19:09	Pima Park..... 22:46
35th Ave & Thomas Rd..... 15:43		Scottsdale Rd & Thomas Rd..... 19:15	West Transit Facility..... 23:36
51st Ave & Thomas Rd..... 15:54		56th St & Thomas Rd..... 19:22	
67th Ave & Thomas Rd..... 16:03		44th St & Thomas Rd..... 19:31	
Desert Sky TC..... 16:14		24th St & Thomas Rd..... 19:43	
Desert Sky TC..... 16:17		Central Ave & Thomas Rd..... 19:55	
93rd Ave & Thomas Rd..... 16:24		19th Ave & Thomas Rd..... 20:05	
		35th Ave & Thomas Rd..... 20:14	
		51st Ave & Thomas Rd..... 20:22	
		67th Ave & Thomas Rd..... 20:29	
		Desert Sky TC..... 20:36	
		Desert Sky TC..... 20:39	
		93rd Ave & Thomas Rd..... 20:45	

Phoenix West

Effective: 01/22/2024

2139

Weekday

Duty Type	Block	Report Time	Start Place	Start Time	End Time	End Place	Clear Time	Paid Time	Seat Time
ST	CAR 2012	12:57	WEST 43LB	13:02 13:22	13:22 23:42	43LB WEST	23:42	10h45	8h37

Sign-on	12:57	Deadhead				Deadhead			
		43rd Ave & Lower Buckeye Rd	16:24			43rd Ave & Union Hills Dr.....		20:41	
Travel by	CAR	43rd Ave & Lower Buckeye Rd	16:30			43rd Ave & Union Hills Dr.....		20:48	
Car Pull		43 / North / 182 / 20161093				43 / South / 207 / 20161195			
West Transit Facility.....	13:02	43rd Ave & Lower Buckeye Rd	16:40			43rd Ave & Union Hills Dr.....		20:55	
43rd Ave & Lower Buckeye Rd	13:22	43rd Ave & Van Buren St.....	16:47			43rd Ave & Thunderbird Rd.....		21:02	
		43rd Ave & Thomas Rd.....	16:59			43rd Ave & Dunlap Ave.....		21:11	
Block	2012	43rd Ave & Camelback Rd.....	17:10			43rd Ave & Glendale Ave.....		21:18	
		43rd Ave & Glendale Ave.....	17:19			43rd Ave & Camelback Rd.....		21:25	
Deadhead		43rd Ave & Dunlap Ave.....	17:28			43rd Ave & Thomas Rd.....		21:33	
43rd Ave & Lower Buckeye Rd	13:22	43rd Ave & Thunderbird Rd.....	17:40			43rd Ave & Van Buren St.....		21:41	
43rd Ave & Lower Buckeye Rd	13:28	43rd Ave & Union Hills Dr.....	17:50			43rd Ave & Lower Buckeye Rd		21:48	
		43 / North / 182 / 20161086				Deadhead			
43rd Ave & Lower Buckeye Rd	13:42	43rd Ave & Union Hills Dr.....	17:50			43rd Ave & Lower Buckeye Rd		21:48	
43rd Ave & Van Buren St.....	13:49	43rd Ave & Union Hills Dr.....	17:57			43rd Ave & Lower Buckeye Rd		21:54	
43rd Ave & Thomas Rd.....	13:59								
43rd Ave & Camelback Rd.....	14:10	43 / South / 207 / 20161186				43 / North / 182 / 20161103			
43rd Ave & Glendale Ave.....	14:19	43rd Ave & Union Hills Dr.....	18:19			43rd Ave & Lower Buckeye Rd		22:21	
43rd Ave & Dunlap Ave.....	14:28	43rd Ave & Thunderbird Rd.....	18:27			43rd Ave & Van Buren St.....		22:27	
43rd Ave & Thunderbird Rd.....	14:37	43rd Ave & Dunlap Ave.....	18:37			43rd Ave & Thomas Rd.....		22:34	
43rd Ave & Union Hills Dr.....	14:46	43rd Ave & Glendale Ave.....	18:46			43rd Ave & Camelback Rd.....		22:40	
		43rd Ave & Camelback Rd.....	18:55			43rd Ave & Glendale Ave.....		22:46	
Deadhead		43rd Ave & Thomas Rd.....	19:03			43rd Ave & Dunlap Ave.....		22:52	
43rd Ave & Union Hills Dr.....	14:46	43rd Ave & Van Buren St.....	19:14			43rd Ave & Thunderbird Rd.....		23:00	
43rd Ave & Union Hills Dr.....	14:53	43rd Ave & Lower Buckeye Rd	19:22			43rd Ave & Union Hills Dr.....		23:07	
		43 / South / 207 / 20161178				Pull In			
43rd Ave & Union Hills Dr.....	15:18	43rd Ave & Lower Buckeye Rd	19:22			43rd Ave & Union Hills Dr.....		23:07	
43rd Ave & Thunderbird Rd.....	15:26	43rd Ave & Lower Buckeye Rd	19:28			West Transit Facility.....		23:42	
43rd Ave & Dunlap Ave.....	15:37								
43rd Ave & Glendale Ave.....	15:46	43 / North / 182 / 20161098							
43rd Ave & Camelback Rd.....	15:55	43rd Ave & Lower Buckeye Rd	19:46						
43rd Ave & Thomas Rd.....	16:05	43rd Ave & Van Buren St.....	19:52						
43rd Ave & Van Buren St.....	16:16	43rd Ave & Thomas Rd.....	20:02						
43rd Ave & Lower Buckeye Rd	16:24	43rd Ave & Camelback Rd.....	20:10						
		43rd Ave & Glendale Ave.....	20:17						
		43rd Ave & Dunlap Ave.....	20:24						
		43rd Ave & Thunderbird Rd.....	20:32						
		43rd Ave & Union Hills Dr.....	20:41						

Phoenix West

Effective: 01/22/2024

2140

Weekday

Duty Type	Block	Report Time	Start Place	Start Time	End Time	End Place	Clear Time	Paid Time	Seat Time
ST	CAR 2039	12:57	WEST 83VB	13:02 13:10	13:10 23:44	83VB WEST	23:44	10h47	8h32

Sign-on	12:57	Deadhead				Deadhead			
		Arrowhead Mall North.....		16:38		83rd Ave & Van Buren St.....		20:15	
Travel by	CAR	Arrowhead Mall Layover.....		16:40		83rd Ave & Van Buren St.....		20:19	
Car Pull		Deadhead				83 / North / 183 / 20161065			
West Transit Facility.....	13:02	Arrowhead Mall Layover.....		16:48		83rd Ave & Van Buren St.....		20:40	
83rd Ave & Van Buren St.....	13:10	Arrowhead Mall North.....		16:50		Desert Sky TC.....		20:51	
Block	2039	83 / South / 155 / 20161786				83rd Ave & Camelback Rd.....		20:59	
		Arrowhead Mall North.....		16:50		83rd Ave & Glendale Ave.....		21:05	
83 / North / 183 / 20161027		83rd Ave & Thunderbird Rd.....		17:02		83rd Ave & Peoria Ave.....		21:16	
83rd Ave & Van Buren St.....	13:10	83rd Ave & Peoria Ave.....		17:08		Arrowhead Mall North.....		21:32	
Desert Sky TC.....	13:21	83rd Ave & Glendale Ave.....		17:21					
83rd Ave & Camelback Rd.....	13:31	83rd Ave & Camelback Rd.....		17:27		Deadhead			
83rd Ave & Glendale Ave.....	13:37	Desert Sky TC.....		17:36		Arrowhead Mall North.....		21:32	
83rd Ave & Peoria Ave.....	13:49	83rd Ave & Van Buren St.....		17:47		Arrowhead Mall Layover.....		21:34	
83rd Ave & Thunderbird Rd.....	13:55								
Arrowhead Mall North.....	14:07	Deadhead				Deadhead			
		83rd Ave & Van Buren St.....		17:47		Arrowhead Mall Layover.....		21:53	
Deadhead		83rd Ave & Van Buren St.....		17:51		Arrowhead Mall North.....		21:55	
Arrowhead Mall North.....	14:07								
Arrowhead Mall Layover.....	14:09	83 / North / 183 / 20161049				83 / South / 155 / 20160953			
		83rd Ave & Van Buren St.....		18:09		Arrowhead Mall North.....		21:55	
Deadhead		Desert Sky TC.....		18:21		83rd Ave & Thunderbird Rd.....		22:05	
Arrowhead Mall Layover.....	14:19	83rd Ave & Camelback Rd.....		18:31		83rd Ave & Peoria Ave.....		22:11	
Arrowhead Mall North.....	14:21	83rd Ave & Glendale Ave.....		18:37		83rd Ave & Glendale Ave.....		22:22	
		83rd Ave & Peoria Ave.....		18:50		83rd Ave & Camelback Rd.....		22:28	
83 / South / 155 / 20161771		83rd Ave & Thunderbird Rd.....		18:56		Desert Sky TC.....		22:36	
Arrowhead Mall North.....	14:21	Arrowhead Mall North.....		19:07		83rd Ave & Van Buren St.....		22:45	
83rd Ave & Thunderbird Rd.....	14:32								
83rd Ave & Peoria Ave.....	14:38	Deadhead				Deadhead			
83rd Ave & Glendale Ave.....	14:51	Arrowhead Mall North.....		19:07		83rd Ave & Van Buren St.....		22:45	
83rd Ave & Camelback Rd.....	14:57	Arrowhead Mall Layover.....		19:09		83rd Ave & Van Buren St.....		22:49	
Desert Sky TC.....	15:06								
83rd Ave & Van Buren St.....	15:16	Deadhead				83 / North / 153 / 20161966			
		Arrowhead Mall Layover.....		19:22		83rd Ave & Van Buren St.....		23:11	
Deadhead		Arrowhead Mall North.....		19:24		Desert Sky TC.....		23:21	
83rd Ave & Van Buren St.....	15:16					83rd Ave & Camelback Rd.....		23:29	
83rd Ave & Van Buren St.....	15:20	83 / South / 155 / 20161799							
		Arrowhead Mall North.....		19:24		Pull In			
83 / North / 183 / 20161039		83rd Ave & Thunderbird Rd.....		19:34		83rd Ave & Camelback Rd.....		23:29	
83rd Ave & Van Buren St.....	15:39	83rd Ave & Peoria Ave.....		19:40		West Transit Facility.....		23:44	
Desert Sky TC.....	15:51	83rd Ave & Glendale Ave.....		19:51					
83rd Ave & Camelback Rd.....	16:01	83rd Ave & Camelback Rd.....		19:57					
83rd Ave & Glendale Ave.....	16:07	Desert Sky TC.....		20:06					
83rd Ave & Peoria Ave.....	16:20	83rd Ave & Van Buren St.....		20:15					
83rd Ave & Thunderbird Rd.....	16:26								
Arrowhead Mall North.....	16:38								

Phoenix West

Effective: 01/22/2024

2141
Weekday

Duty Type	Block	Report Time	Start Place	Start Time	End Time	End Place	Clear Time	Paid Time	Seat Time
ST	CAR 2053	13:08	WEST 83VB	13:13 13:21	13:21 23:55	83VB WEST	23:55	10h47	8h22

Sign-on	13:08	3 / East / 181 / 20162088		3 / East / 181 / 20162097
Travel by	CAR	4th St & La Canada Blvd.....	17:23	83rd Ave & Van Buren St.....
Car Pull		Avondale Civic Center.....	17:37	67th Ave & Van Buren St.....
West Transit Facility.....	13:13	99th Ave & Van Buren St.....	17:43	51st Ave & Van Buren St.....
83rd Ave & Van Buren St.....	13:21	83rd Ave & Van Buren St.....	17:51	35th Ave & Van Buren St.....
Block	2053	67th Ave & Van Buren St.....	17:56	19th Ave & Van Buren St.....
		51st Ave & Van Buren St.....	18:09	Central Ave & Van Buren St.....
		35th Ave & Van Buren St.....	18:20	24th St & Van Buren St.....
		19th Ave & Van Buren St.....	18:31	44th St & Van Buren St.....
		Central Ave & Van Buren St.....	18:40	Galvin Pkwy & Van Buren St... 22:32
		24th St & Van Buren St.....	18:54	-----
		44th St & Van Buren St.....	19:03	Deadhead
		Galvin Pkwy & Van Buren St... 19:10		Galvin Pkwy & Van Buren St... 22:32
		-----		Galvin Pkwy & Van Buren St... 22:38
		Deadhead		-----
		Galvin Pkwy & Van Buren St... 19:10		3 / West / 104 / 20162164
		Galvin Pkwy & Van Buren St... 19:16		Galvin Pkwy & Van Buren St... 22:56
		-----		44th St & Van Buren St.....
		3 / West / 104 / 20162159		24th St & Van Buren St.....
		Galvin Pkwy & Van Buren St... 20:20		2nd Ave & Van Buren St.....
		44th St & Van Buren St.....	20:27	19th Ave & Van Buren St.....
		24th St & Van Buren St.....	20:36	35th Ave & Van Buren St.....
		2nd Ave & Van Buren St.....	20:48	51st Ave & Van Buren St.....
		19th Ave & Van Buren St.....	20:55	67th Ave & Van Buren St.....
		35th Ave & Van Buren St.....	21:03	83rd Ave & Van Buren St..... 23:50
		51st Ave & Van Buren St.....	21:10	-----
		67th Ave & Van Buren St.....	21:16	Pull In
		83rd Ave & Van Buren St..... 21:22		83rd Ave & Van Buren St..... 23:50
		-----		West Transit Facility..... 23:55
		Deadhead		-----
		83rd Ave & Van Buren St..... 21:22		
		83rd Ave & Van Buren St..... 21:26		

		3 / West / 546 / 20162142		
		Phoenix Zoo..... 15:09		
		Galvin Pkwy & Van Buren St.....	15:12	
		44th St & Van Buren St.....	15:20	
		24th St & Van Buren St.....	15:33	
		2nd Ave & Van Buren St.....	15:48	
		19th Ave & Van Buren St.....	15:57	
		35th Ave & Van Buren St.....	16:07	
		51st Ave & Van Buren St.....	16:17	
		67th Ave & Van Buren St.....	16:26	
		83rd Ave & Van Buren St.....	16:34	
		99th Ave & Van Buren St.....	16:42	
		Avondale Civic Center.....	16:50	
		4th St & La Canada Blvd..... 17:01		

Phoenix West

Effective: 01/22/2024

2142
Weekday

Duty Type	Block	Report Time	Start Place	Start Time	End Time	End Place	Clear Time	Paid Time	Seat Time
ST	CAR 2087	13:13	WEST 51VB	13:18 13:33	13:33 23:51	51VB WEST	23:51	10h38	8h04

Sign-on	13:13	51 / North / 206 / 20161323	51 / North / 206 / 20161337
		51st Ave & Pecos Rd.....	16:55 51st Ave & Pecos Rd..... 21:01
Travel by	CAR	Vee Quiva Casino.....	21:11 Vee Quiva Casino.....
		51st Ave & Baseline Rd.....	21:22 51st Ave & Baseline Rd.....
Car Pull		51st Ave & Lower Buckeye Rd...	21:28 51st Ave & Lower Buckeye Rd...
West Transit Facility.....	13:18	51st Ave & Van Buren St.....	21:34 51st Ave & Van Buren St.....
51st Ave & Van Buren St.....	13:33	51st Ave & Thomas Rd.....	21:42 51st Ave & Thomas Rd.....
		51st Ave & Camelback Rd.....	21:48 51st Ave & Camelback Rd.....
Block	2087	51st Ave & Glendale Ave.....	21:54 51st Ave & Glendale Ave.....
		51st Ave & Olive Ave.....	21:59 51st Ave & Olive Ave.....
		ASU West Campus.....	18:21 ASU West Campus..... 22:10

		51 / South / 28 / 20161052	51 / South / 27 / 20161141
		ASU West Campus.....	18:58 ASU West Campus..... 22:36
		51st Ave & Olive Ave.....	22:48 51st Ave & Olive Ave.....
		51st Ave & Glendale Ave.....	22:53 51st Ave & Glendale Ave.....
		51st Ave & Camelback Rd.....	22:59 51st Ave & Camelback Rd.....
		51st Ave & Thomas Rd.....	23:04 51st Ave & Thomas Rd.....
		51st Ave & Van Buren St.....	23:11 51st Ave & Van Buren St.....
		51st Ave & Lower Buckeye Rd...	23:17 51st Ave & Lower Buckeye Rd...
		51st Ave & Baseline Rd.....	23:25 51st Ave & Baseline Rd..... 23:25
		Vee Quiva Casino.....	20:09 Vee Quiva Casino.....
		Komatke Health Center.....	20:24 Komatke Health Center.....
		51st Ave & Pecos Rd.....	20:28 51st Ave & Pecos Rd..... 23:51
			West Transit Facility.....

		51 / South / 28 / 20161020	
		ASU West Campus.....	14:51 ASU West Campus.....
		51st Ave & Olive Ave.....	15:05 51st Ave & Olive Ave.....
		51st Ave & Glendale Ave.....	15:14 51st Ave & Glendale Ave.....
		51st Ave & Camelback Rd.....	15:22 51st Ave & Camelback Rd.....
		51st Ave & Thomas Rd.....	15:32 51st Ave & Thomas Rd.....
		51st Ave & Van Buren St.....	15:45 51st Ave & Van Buren St.....
		51st Ave & Lower Buckeye Rd...	15:53 51st Ave & Lower Buckeye Rd...
		51st Ave & Baseline Rd.....	16:02 51st Ave & Baseline Rd.....
		Vee Quiva Casino.....	16:16 Vee Quiva Casino.....
		Komatke Health Center.....	16:31 Komatke Health Center.....
		51st Ave & Pecos Rd.....	16:36 51st Ave & Pecos Rd.....

Phoenix West

Effective: 01/22/2024

2143

Weekday

Duty Type	Block	Report Time	Start Place	Start Time	End Time	End Place	Clear Time	Paid Time	Seat Time
ST	CAR	13:17	WEST	13:22	13:32	75BU	23:32	10h15	8h05
	2025		75BU	13:32	23:32	WEST			

Sign-on	13:17	13 / West / 120 / 20161295	13 / West / 120 / 20161283
		Sky Harbor West.....	Sky Harbor West.....
Travel by	CAR	16th St & Buckeye Rd.....	16th St & Buckeye Rd.....
		Central Ave & Buckeye Rd.....	Central Ave & Buckeye Rd.....
Car Pull		19th Ave & Buckeye Rd.....	19th Ave & Buckeye Rd.....
West Transit Facility.....	13:22	43rd Ave & Buckeye Rd.....	43rd Ave & Buckeye Rd.....
75th Ave & Buckeye Rd.....	13:32	59th Ave & Buckeye Rd.....	59th Ave & Buckeye Rd.....
		75th Ave & Buckeye Rd.....	75th Ave & Buckeye Rd.....
Block	2025		
Deadhead		75th Ave & Buckeye Rd.....	75th Ave & Buckeye Rd.....
		75th Ave & Buckeye Rd.....	75th Ave & Buckeye Rd.....
		13 / East / 36 / 20161680	13 / East / 36 / 20161685
		75th Ave & Buckeye Rd.....	75th Ave & Buckeye Rd.....
		59th Ave & Buckeye Rd.....	59th Ave & Buckeye Rd.....
		43rd Ave & Buckeye Rd.....	43rd Ave & Buckeye Rd.....
		19th Ave & Buckeye Rd.....	19th Ave & Buckeye Rd.....
		Central Ave & Buckeye Rd.....	Central Ave & Buckeye Rd.....
		16th St & Buckeye Rd.....	16th St & Buckeye Rd.....
		Sky Harbor West.....	Sky Harbor West.....
		13 / West / 120 / 20161286	13 / West / 120 / 20161273
		Sky Harbor West.....	Sky Harbor West.....
		16th St & Buckeye Rd.....	16th St & Buckeye Rd.....
		Central Ave & Buckeye Rd.....	Central Ave & Buckeye Rd.....
		19th Ave & Buckeye Rd.....	19th Ave & Buckeye Rd.....
		43rd Ave & Buckeye Rd.....	43rd Ave & Buckeye Rd.....
		59th Ave & Buckeye Rd.....	59th Ave & Buckeye Rd.....
		75th Ave & Buckeye Rd.....	75th Ave & Buckeye Rd.....
Deadhead		75th Ave & Buckeye Rd.....	75th Ave & Buckeye Rd.....
		75th Ave & Buckeye Rd.....	75th Ave & Buckeye Rd.....
		13 / East / 36 / 20161683	
		75th Ave & Buckeye Rd.....	75th Ave & Buckeye Rd.....
		59th Ave & Buckeye Rd.....	59th Ave & Buckeye Rd.....
		43rd Ave & Buckeye Rd.....	43rd Ave & Buckeye Rd.....
		19th Ave & Buckeye Rd.....	19th Ave & Buckeye Rd.....
		Central Ave & Buckeye Rd.....	Central Ave & Buckeye Rd.....
		16th St & Buckeye Rd.....	16th St & Buckeye Rd.....
		Sky Harbor West.....	Sky Harbor West.....

Phoenix West

Effective: 01/22/2024

2144

Weekday

Duty Type	Block	Report Time	Start Place	Start Time	End Time	End Place	Clear Time	Paid Time	Seat Time
ST	CAR 2030	13:25	WEST 75LB	13:30 13:45	13:45 23:30	75LB WEST	23:30	10h05	8h03

Sign-on	13:25	Deadhead	67 / North / 108 / 20161155
Travel by	CAR	67th Ave & Union Hills Dr..... 16:32	Sierra Linda HS-North..... 19:59
Car Pull		67th Ave & Van Buren St..... 20:07	67th Ave & Thomas Rd..... 20:16
West Transit Facility..... 13:30		67th Ave & Camelback Rd..... 20:24	67th Ave & Glendale Ave..... 20:35
75th Ave & Lower Buckeye Rd 13:45		67th Ave & Thunderbird Rd..... 16:59	67th Ave & Olive Ave..... 20:42
Block	2030	67th Ave & Olive Ave..... 17:08	67th Ave & Thunderbird Rd..... 20:50
		67th Ave & Glendale Ave..... 17:16	67th Ave & Union Hills Dr..... 20:59
		67th Ave & Camelback Rd..... 17:26	
75 / North / 147 / 20161766		67th Ave & Thomas Rd..... 17:36	Deadhead
75th Ave & Lower Buckeye Rd 13:45		67th Ave & Van Buren St..... 17:48	67th Ave & Union Hills Dr..... 20:59
75th Ave & Van Buren St..... 13:50		Sierra Linda HS-South..... 17:57	67th Ave & Union Hills Dr..... 21:03
Desert Sky TC..... 14:07			
75th Ave & Camelback Rd..... 14:17		Deadhead	67 / South / 254 / 20161648
		Sierra Linda HS-South..... 17:57	67th Ave & Union Hills Dr..... 21:24
Deadhead		75th Ave & Lower Buckeye Rd 18:02	67th Ave & Thunderbird Rd..... 21:32
75th Ave & Camelback Rd..... 14:17			67th Ave & Olive Ave..... 21:40
75th Ave & Camelback Rd..... 14:29		75 / North / 147 / 20161782	67th Ave & Glendale Ave..... 21:48
		75th Ave & Lower Buckeye Rd 18:12	67th Ave & Camelback Rd..... 21:56
75 / South / 149 / 20161714		75th Ave & Van Buren St..... 18:17	67th Ave & Thomas Rd..... 22:03
75th Ave & Camelback Rd..... 14:36		Desert Sky TC..... 18:37	67th Ave & Van Buren St..... 22:11
Desert Sky TC..... 14:47		75th Ave & Camelback Rd..... 18:47	Sierra Linda HS-South..... 22:18
75th Ave & Van Buren St..... 15:00			
75th Ave & Lower Buckeye Rd 15:08		Deadhead	Deadhead
		75th Ave & Camelback Rd..... 18:47	Sierra Linda HS-South..... 22:18
Deadhead		75th Ave & Camelback Rd..... 18:59	75th Ave & Lower Buckeye Rd 22:23
75th Ave & Lower Buckeye Rd 15:08			
Sierra Linda HS-North..... 15:13		75 / South / 149 / 20161721	75 / North / 147 / 20161791
		75th Ave & Camelback Rd..... 19:07	75th Ave & Lower Buckeye Rd 22:50
67 / North / 108 / 20161188		Desert Sky TC..... 19:17	75th Ave & Van Buren St..... 22:54
Sierra Linda HS-North..... 15:22		75th Ave & Van Buren St..... 19:28	Desert Sky TC..... 23:07
67th Ave & Van Buren St..... 15:33		75th Ave & Lower Buckeye Rd 19:32	75th Ave & Camelback Rd..... 23:15
67th Ave & Thomas Rd..... 15:44			
67th Ave & Camelback Rd..... 15:54		Deadhead	Pull In
67th Ave & Glendale Ave..... 16:06		75th Ave & Lower Buckeye Rd 19:32	75th Ave & Camelback Rd..... 23:15
67th Ave & Olive Ave..... 16:13		Sierra Linda HS-North..... 19:37	West Transit Facility..... 23:30
67th Ave & Thunderbird Rd..... 16:22			
67th Ave & Union Hills Dr..... 16:32			

Phoenix West

Effective: 01/22/2024

2145

Weekday

Duty Type	Block	Report Time	Start Place	Start Time	End Time	End Place	Clear Time	Paid Time	Seat Time
ST	CAR 2003	13:27	WEST 43LB	13:32 13:52	13:52 24:12	43LB WEST	24:12	10h45	8h33

Sign-on	13:27	Deadhead				Deadhead			
		43rd Ave & Lower Buckeye Rd		16:54		43rd Ave & Union Hills Dr.....		21:09	
Travel by	CAR	43rd Ave & Lower Buckeye Rd		17:00		43rd Ave & Union Hills Dr.....		21:16	
Car Pull		43 / North / 182 / 20161094				43 / South / 207 / 20161194			
West Transit Facility.....	13:32	43rd Ave & Lower Buckeye Rd		17:11		43rd Ave & Union Hills Dr.....		21:25	
43rd Ave & Lower Buckeye Rd	13:52	43rd Ave & Van Buren St.....		17:17		43rd Ave & Thunderbird Rd.....		21:32	
		43rd Ave & Thomas Rd.....		17:29		43rd Ave & Dunlap Ave.....		21:41	
Block	2003	43rd Ave & Camelback Rd.....		17:40		43rd Ave & Glendale Ave.....		21:48	
		43rd Ave & Glendale Ave.....		17:49		43rd Ave & Camelback Rd.....		21:55	
Deadhead		43rd Ave & Dunlap Ave.....		17:58		43rd Ave & Thomas Rd.....		22:03	
43rd Ave & Lower Buckeye Rd	13:52	43rd Ave & Thunderbird Rd.....		18:07		43rd Ave & Van Buren St.....		22:11	
43rd Ave & Lower Buckeye Rd	13:58	43rd Ave & Union Hills Dr.....		18:17		43rd Ave & Lower Buckeye Rd		22:18	
		43 / North / 182 / 20161087				Deadhead			
43rd Ave & Lower Buckeye Rd	14:12	43rd Ave & Union Hills Dr.....		18:17		43rd Ave & Lower Buckeye Rd		22:18	
43rd Ave & Van Buren St.....	14:19	43rd Ave & Union Hills Dr.....		18:24		43rd Ave & Lower Buckeye Rd		22:24	
43rd Ave & Thomas Rd.....	14:29								
43rd Ave & Camelback Rd.....	14:40	43 / South / 207 / 20161187				43 / North / 182 / 20161106			
43rd Ave & Glendale Ave.....	14:49	43rd Ave & Union Hills Dr.....		18:49		43rd Ave & Lower Buckeye Rd		22:51	
43rd Ave & Dunlap Ave.....	14:58	43rd Ave & Thunderbird Rd.....		18:57		43rd Ave & Van Buren St.....		22:57	
43rd Ave & Thunderbird Rd.....	15:10	43rd Ave & Dunlap Ave.....		19:07		43rd Ave & Thomas Rd.....		23:04	
43rd Ave & Union Hills Dr.....	15:21	43rd Ave & Glendale Ave.....		19:16		43rd Ave & Camelback Rd.....		23:10	
		43rd Ave & Camelback Rd.....		19:25		43rd Ave & Glendale Ave.....		23:16	
Deadhead		43rd Ave & Thomas Rd.....		19:33		43rd Ave & Dunlap Ave.....		23:22	
43rd Ave & Union Hills Dr.....	15:21	43rd Ave & Van Buren St.....		19:41		43rd Ave & Thunderbird Rd.....		23:30	
43rd Ave & Union Hills Dr.....	15:28	43rd Ave & Lower Buckeye Rd		19:49		43rd Ave & Union Hills Dr.....		23:37	
		43 / South / 207 / 20161174				Pull In			
43rd Ave & Union Hills Dr.....	15:48	43rd Ave & Lower Buckeye Rd		19:49		43rd Ave & Union Hills Dr.....		23:37	
43rd Ave & Thunderbird Rd.....	15:56	43rd Ave & Lower Buckeye Rd		19:55		West Transit Facility.....		24:12	
43rd Ave & Dunlap Ave.....	16:07								
43rd Ave & Glendale Ave.....	16:16	43 / North / 182 / 20161101							
43rd Ave & Camelback Rd.....	16:25	43rd Ave & Lower Buckeye Rd		20:16					
43rd Ave & Thomas Rd.....	16:35	43rd Ave & Van Buren St.....		20:22					
43rd Ave & Van Buren St.....	16:46	43rd Ave & Thomas Rd.....		20:32					
43rd Ave & Lower Buckeye Rd	16:54	43rd Ave & Camelback Rd.....		20:40					
		43rd Ave & Glendale Ave.....		20:47					
		43rd Ave & Dunlap Ave.....		20:54					
		43rd Ave & Thunderbird Rd.....		21:02					
		43rd Ave & Union Hills Dr.....		21:09					

Phoenix West

Effective: 01/22/2024

2146

Weekday

Duty Type	Block	Report Time	Start Place	Start Time	End Time	End Place	Clear Time	Paid Time	Seat Time
ST	2152	13:27	WEST	13:32	23:45	WEST	23:45	10h18	8h34

Sign-on	13:27	Deadhead	29 / West / 199 / 20161389
		93rd Ave & Thomas Rd.....	17:59 Pima Park..... 20:13
Block	2152	94th Av Layover.....	18:00 Scottsdale Rd & Thomas Rd..... 20:17

Pull Out		Deadhead	56th St & Thomas Rd..... 20:24
West Transit Facility.....	13:47	94th Av Layover.....	18:22 44th St & Thomas Rd..... 20:31
Thomas Rd at Desert Sky TC..	14:01	93rd Ave & Thomas Rd.....	18:23 24th St & Thomas Rd..... 20:43

29 / East / 31 / 20161129		29 / East / 31 / 20161572	Central Ave & Thomas Rd..... 20:55
Thomas Rd at Desert Sky TC..	14:01	93rd Ave & Thomas Rd.....	18:23 19th Ave & Thomas Rd..... 21:05
67th Ave & Thomas Rd.....	14:08	Thomas Rd at Desert Sky TC....	35th Ave & Thomas Rd..... 21:14
51st Ave & Thomas Rd.....	14:15	67th Ave & Thomas Rd.....	51st Ave & Thomas Rd..... 21:22
35th Ave & Thomas Rd.....	14:22	67th Ave & Thomas Rd.....	67th Ave & Thomas Rd..... 21:29
19th Ave & Thomas Rd.....	14:32	51st Ave & Thomas Rd.....	Desert Sky TC..... 21:36
Central Ave & Thomas Rd.....	14:44	35th Ave & Thomas Rd.....	Desert Sky TC..... 21:39
24th St & Thomas Rd.....	14:57	19th Ave & Thomas Rd.....	93rd Ave & Thomas Rd..... 21:45
44th St & Thomas Rd.....	15:15	Central Ave & Thomas Rd.....	-----
56th St & Thomas Rd.....	15:22	24th St & Thomas Rd.....	Deadhead
Scottsdale Rd & Thomas Rd.....	15:29	44th St & Thomas Rd.....	93rd Ave & Thomas Rd..... 21:45
Pima Park.....	15:38	56th St & Thomas Rd.....	99th Ave & McDowell Rd..... 21:50
		Scottsdale Rd & Thomas Rd.....	-----
29 / West / 199 / 20161408		Pima Park.....	17 / East / 255 / 20161692
Pima Park.....	15:59		99th Ave & McDowell Rd..... 22:12
Scottsdale Rd & Thomas Rd.....	16:04		83rd Ave & McDowell Rd..... 22:18
56th St & Thomas Rd.....	16:11		67th Ave & McDowell Rd..... 22:24
44th St & Thomas Rd.....	16:20		43rd Ave & McDowell Rd..... 22:33
24th St & Thomas Rd.....	16:33		19th Ave & McDowell Rd..... 22:44
Central Ave & Thomas Rd.....	16:52		Central Ave & McDowell Rd..... 22:50
19th Ave & Thomas Rd.....	17:03		24th St & McDowell Rd..... 23:00
35th Ave & Thomas Rd.....	17:18		44th St & McDowell Rd..... 23:09
51st Ave & Thomas Rd.....	17:31		52nd St & McDowell Rd..... 23:12
67th Ave & Thomas Rd.....	17:39		-----
Desert Sky TC.....	17:49		Pull In
Desert Sky TC.....	17:52		52nd St & McDowell Rd..... 23:12
93rd Ave & Thomas Rd.....	17:59		West Transit Facility..... 23:45

Phoenix West

Effective: 01/22/2024

2147

Weekday

Duty Type	Block	Report Time	Start Place	Start Time	End Time	End Place	Clear Time	Paid Time	Seat Time
ST	CAR 2098	13:29	WEST 51HD	13:34 13:48	13:48 21:35	51HD WEST	21:35	8h06	7h01

Sign-on	13:29	Deadhead	Deadhead
Travel by	CAR	59th Ave & Buckeye Rd..... 16:31	59th Ave & Buckeye Rd..... 19:27
Car Pull		51st Ave & Hadley St..... 16:35	51st Ave & Hadley St..... 19:31
West Transit Facility..... 13:34		Deadhead	Deadhead
51st Ave & Hadley St..... 13:48		51st Ave & Hadley St..... 16:46	51st Ave & Hadley St..... 19:52
		59th Ave & Buckeye Rd..... 16:50	59th Ave & Buckeye Rd..... 19:56
Block	2098	59 / North / 830 / 20161508	59 / North / 830 / 20161520
Deadhead		59th Ave & Buckeye Rd..... 16:50	59th Ave & Buckeye Rd..... 19:56
51st Ave & Hadley St..... 13:48		59th Ave & Van Buren St..... 16:52	59th Ave & Van Buren St..... 19:58
59th Ave & Buckeye Rd..... 13:52		59th Ave & Thomas Rd..... 17:03	59th Ave & Thomas Rd..... 20:06
		59th Ave & Camelback Rd..... 17:13	59th Ave & Camelback Rd..... 20:13
		59th Ave & Glendale Ave..... 17:23	59th Ave & Glendale Ave..... 20:22
59 / North / 830 / 20161495		59th Ave & Olive Ave..... 17:33	59th Ave & Olive Ave..... 20:30
59th Ave & Buckeye Rd..... 13:52		59th Ave & Thunderbird Rd..... 17:45	59th Ave & Thunderbird Rd..... 20:41
59th Ave & Van Buren St..... 13:54		59th Ave & Bell Rd..... 17:54	59th Ave & Bell Rd..... 20:49
59th Ave & Thomas Rd..... 14:03		59th Ave & Beardsley Rd..... 18:04	59th Ave & Beardsley Rd..... 20:57
59th Ave & Camelback Rd..... 14:13			
59th Ave & Glendale Ave..... 14:24		59 / South / 220 / 20161456	Pull In
59th Ave & Olive Ave..... 14:35		59th Ave & Beardsley Rd..... 18:21	59th Ave & Beardsley Rd..... 20:57
59th Ave & Thunderbird Rd..... 14:47		59th Ave & Bell Rd..... 18:27	West Transit Facility..... 21:35
59th Ave & Bell Rd..... 14:56		59th Ave & Thunderbird Rd..... 18:33	
59th Ave & Beardsley Rd..... 15:06		59th Ave & Olive Ave..... 18:46	
		59th Ave & Glendale Ave..... 18:57	
59 / South / 220 / 20161450		59th Ave & Camelback Rd..... 19:06	
59th Ave & Beardsley Rd..... 15:17		59th Ave & Thomas Rd..... 19:13	
59th Ave & Bell Rd..... 15:23		59th Ave & Van Buren St..... 19:24	
59th Ave & Thunderbird Rd..... 15:29		59th Ave & Buckeye Rd..... 19:27	
59th Ave & Olive Ave..... 15:42			
59th Ave & Glendale Ave..... 15:54			
59th Ave & Camelback Rd..... 16:06			
59th Ave & Thomas Rd..... 16:17			
59th Ave & Van Buren St..... 16:28			
59th Ave & Buckeye Rd..... 16:31			

Phoenix West

Effective: 01/22/2024

2148
Weekday

Duty Type	Block	Report Time	Start Place	Start Time	End Time	End Place	Clear Time	Paid Time	Seat Time
ST	CAR 2054	13:27	WEST 83VB	13:32 13:40	13:40 22:29	83VB WEST	22:29	9h02	7h23

Sign-on	13:27	Deadhead	Deadhead
Travel by	CAR	83rd Ave & Van Buren St..... 15:47	Arrowhead Mall North..... 19:34
Car Pull		83rd Ave & Van Buren St..... 15:51	Arrowhead Mall Layover..... 19:36
West Transit Facility..... 13:32		83 / North / 183 / 20161041	Deadhead
83rd Ave & Van Buren St..... 13:40		83rd Ave & Van Buren St..... 16:09	Arrowhead Mall Layover..... 19:53
		Desert Sky TC..... 16:21	Arrowhead Mall North..... 19:55
Block	2054	83rd Ave & Camelback Rd..... 16:31	
		83rd Ave & Glendale Ave..... 16:37	83 / South / 155 / 20161796
		83rd Ave & Peoria Ave..... 16:50	Arrowhead Mall North..... 19:55
83 / North / 183 / 20161031		83rd Ave & Thunderbird Rd..... 16:56	83rd Ave & Thunderbird Rd..... 20:05
83rd Ave & Van Buren St..... 13:40		Arrowhead Mall North..... 17:08	83rd Ave & Peoria Ave..... 20:11
Desert Sky TC..... 13:51			83rd Ave & Glendale Ave..... 20:22
83rd Ave & Camelback Rd..... 14:01		Deadhead	83rd Ave & Camelback Rd..... 20:28
83rd Ave & Glendale Ave..... 14:07		Arrowhead Mall North..... 17:08	Desert Sky TC..... 20:36
83rd Ave & Peoria Ave..... 14:19		Arrowhead Mall Layover..... 17:10	83rd Ave & Van Buren St..... 20:45
83rd Ave & Thunderbird Rd..... 14:25			
Arrowhead Mall North..... 14:37		Deadhead	Deadhead
		Arrowhead Mall Layover..... 17:18	83rd Ave & Van Buren St..... 20:45
Deadhead		Arrowhead Mall North..... 17:20	83rd Ave & Van Buren St..... 20:49
Arrowhead Mall North..... 14:37			
Arrowhead Mall Layover..... 14:39		83 / South / 155 / 20161790	83 / North / 183 / 20161071
		Arrowhead Mall North..... 17:20	83rd Ave & Van Buren St..... 21:10
Deadhead		83rd Ave & Thunderbird Rd..... 17:32	Desert Sky TC..... 21:21
Arrowhead Mall Layover..... 14:49		83rd Ave & Peoria Ave..... 17:38	83rd Ave & Camelback Rd..... 21:29
Arrowhead Mall North..... 14:51		83rd Ave & Glendale Ave..... 17:51	83rd Ave & Glendale Ave..... 21:35
		83rd Ave & Camelback Rd..... 17:57	83rd Ave & Peoria Ave..... 21:46
83 / South / 155 / 20161775		Desert Sky TC..... 18:06	83rd Ave & Thunderbird Rd..... 21:52
Arrowhead Mall North..... 14:51		83rd Ave & Van Buren St..... 18:15	Arrowhead Mall North..... 22:02
83rd Ave & Thunderbird Rd..... 15:02			
83rd Ave & Peoria Ave..... 15:08		Deadhead	Pull In
83rd Ave & Glendale Ave..... 15:21		83rd Ave & Van Buren St..... 18:15	Arrowhead Mall North..... 22:02
83rd Ave & Camelback Rd..... 15:27		83rd Ave & Van Buren St..... 18:19	West Transit Facility..... 22:29
Desert Sky TC..... 15:36			
83rd Ave & Van Buren St..... 15:47		83 / North / 183 / 20161050	
		83rd Ave & Van Buren St..... 18:39	
		Desert Sky TC..... 18:51	
		83rd Ave & Camelback Rd..... 19:01	
		83rd Ave & Glendale Ave..... 19:07	
		83rd Ave & Peoria Ave..... 19:18	
		83rd Ave & Thunderbird Rd..... 19:24	
		Arrowhead Mall North..... 19:34	

Phoenix West

Effective: 01/22/2024

2149

Weekday

Duty Type	Block	Report Time	Start Place	Start Time	End Time	End Place	Clear Time	Paid Time	Seat Time
ST	CAR 2056	13:30	WEST 44IN	13:35 14:11	14:11 23:52	44IN WEST	23:52	10h22	8h42

Sign-on	13:30	Deadhead	Deadhead
Travel by	CAR	Pima Rd & McDowell Rd.....	Granite Reef Rd & Indian Sch
Car Pull		41 / West / 724 / 20161818	41 / West / 724 / 20161807
West Transit Facility.....	13:35	Granite Reef Rd & Indian Sch	Pima Rd & Chaparral Rd.....
44th St & Indian School Rd.....	14:11	Scottsdale Rd & Indian School	Granite Reef Rd & Indian Sch
Block	2056	56th St & Indian School Rd.....	
41 / West / 141 / 20161804		44th St & Indian School Rd.....	
44th St & Indian School Rd.....	14:11	32nd St & Indian School Rd.....	Granite Reef Rd & Indian Sch
32nd St & Indian School Rd.....	14:18	24th St & Indian School Rd.....	Scottsdale Rd & Indian School
24th St & Indian School Rd.....	14:25	Central Ave & Indian School Rd.	56th St & Indian School Rd.....
Central Ave & Indian School Rd.	14:40	Central Ave & Indian School Rd.	44th St & Indian School Rd.....
Central Ave & Indian School Rd.	14:44	19th Ave & Indian School Rd.....	32nd St & Indian School Rd.....
19th Ave & Indian School Rd.....	14:53	43rd Ave & Indian School Rd.....	24th St & Indian School Rd.....
43rd Ave & Indian School Rd.....	15:10	59th Ave & Indian School Rd.....	Central Ave & Indian School Rd.
59th Ave & Indian School Rd.....	15:20	83rd Ave & Indian School Rd.....	Central Ave & Indian School Rd.
83rd Ave & Indian School Rd..	15:33	107th Ave & Indian School Rd.	19th Ave & Indian School Rd.....
Deadhead		Deadhead	43rd Ave & Indian School Rd.....
83rd Ave & Indian School Rd..	15:33	107th Ave & Indian School Rd.	59th Ave & Indian School Rd.....
83rd Ave & McDowell Rd.....	15:40	107th Ave & Indian School Rd.	83rd Ave & Indian School Rd.....
17 / East / 132 / 20160987		41 / East / 172 / 20161931	107th Ave & Indian School Rd.
83rd Ave & McDowell Rd.....	15:53	107th Ave & Indian School Rd.	West Transit Facility.....
67th Ave & McDowell Rd.....	16:00	83rd Ave & Indian School Rd.....	
43rd Ave & McDowell Rd.....	16:14	59th Ave & Indian School Rd.....	
19th Ave & McDowell Rd.....	16:30	43rd Ave & Indian School Rd.....	
Central Ave & McDowell Rd.....	16:40	19th Ave & Indian School Rd.....	
24th St & McDowell Rd.....	16:55	Central Ave & Indian School Rd.	
44th St & McDowell Rd.....	17:07	Central Ave & Indian School Rd.	
52nd St & McDowell Rd.....	17:11	24th St & Indian School Rd.....	
Scottsdale Rd & McDowell Rd....	17:20	32nd St & Indian School Rd.....	
Pima Rd & McDowell Rd.....	17:28	44th St & Indian School Rd.....	
		56th St & Indian School Rd.....	
		Scottsdale Rd & Indian School	
		Granite Reef Rd & Indian Sch	

Phoenix West

Effective: 01/22/2024

2150
Weekday

Duty Type	Block	Report Time	Start Place	Start Time	End Time	End Place	Clear Time	Paid Time	Seat Time
ST	CAR 2027	13:33	WEST 67VB	13:38 13:48	13:48 22:25	67VB WEST	22:25	8h52	6h53

Sign-on	13:33	Deadhead	75 / North / 147 / 20161781
Travel by	CAR	75th Ave & Lower Buckeye Rd	16:11
Car Pull		Sierra Linda HS-North.....	16:16
West Transit Facility.....	13:38	67 / North / 108 / 20161181	
67th Ave & Van Buren St.....	13:48	Sierra Linda HS-North.....	16:24
Block	2027	67th Ave & Van Buren St.....	16:34
		67th Ave & Thomas Rd.....	16:45
		67th Ave & Camelback Rd.....	16:54
		67th Ave & Glendale Ave.....	17:07
		67th Ave & Olive Ave.....	17:14
		67th Ave & Thunderbird Rd.....	17:23
		67th Ave & Union Hills Dr.....	17:33
		75 / South / 254 / 20161619	
		67th Ave & Van Buren St.....	13:48
		Sierra Linda HS-South.....	13:57
Deadhead		Deadhead	
Sierra Linda HS-South.....	13:57	67th Ave & Union Hills Dr.....	17:33
75th Ave & Lower Buckeye Rd	14:02	67th Ave & Union Hills Dr.....	17:38
		75 / North / 147 / 20161765	
		75th Ave & Lower Buckeye Rd	14:13
		75th Ave & Van Buren St.....	14:19
		Desert Sky TC.....	14:37
		75th Ave & Camelback Rd.....	14:50
Deadhead		67 / South / 254 / 20161632	
75th Ave & Camelback Rd.....	14:50	67th Ave & Union Hills Dr.....	17:50
75th Ave & Camelback Rd.....	15:02	67th Ave & Thunderbird Rd.....	17:59
		67th Ave & Olive Ave.....	18:08
		67th Ave & Glendale Ave.....	18:16
		67th Ave & Camelback Rd.....	18:26
		67th Ave & Thomas Rd.....	18:35
		67th Ave & Van Buren St.....	18:47
		Sierra Linda HS-South.....	18:55
		75 / North / 108 / 20161149	
		Sierra Linda HS-North.....	21:02
		67th Ave & Van Buren St.....	21:10
		67th Ave & Thomas Rd.....	21:18
		67th Ave & Camelback Rd.....	21:24
		67th Ave & Glendale Ave.....	21:33
		67th Ave & Olive Ave.....	21:40
		67th Ave & Thunderbird Rd.....	21:48
		67th Ave & Union Hills Dr.....	21:57
		75 / South / 149 / 20161713	
75th Ave & Camelback Rd.....	15:35	Deadhead	
Desert Sky TC.....	15:47	Sierra Linda HS-South.....	18:55
75th Ave & Van Buren St.....	16:03	75th Ave & Lower Buckeye Rd	19:00
75th Ave & Lower Buckeye Rd	16:11		
		75 / South / 149 / 20161727	
		75th Ave & Camelback Rd.....	20:07
		Desert Sky TC.....	20:17
		75th Ave & Van Buren St.....	20:28
		75th Ave & Lower Buckeye Rd	20:32
		Deadhead	
		75th Ave & Lower Buckeye Rd	20:32
		Sierra Linda HS-North.....	20:37
		67 / North / 108 / 20161149	
		Sierra Linda HS-North.....	21:02
		67th Ave & Van Buren St.....	21:10
		67th Ave & Thomas Rd.....	21:18
		67th Ave & Camelback Rd.....	21:24
		67th Ave & Glendale Ave.....	21:33
		67th Ave & Olive Ave.....	21:40
		67th Ave & Thunderbird Rd.....	21:48
		67th Ave & Union Hills Dr.....	21:57
		Pull In	
		67th Ave & Union Hills Dr.....	21:57
		West Transit Facility.....	22:25

Phoenix West

Effective: 01/22/2024

2151
Weekday

Duty Type	Block	Report Time	Start Place	Start Time	End Time	End Place	Clear Time	Paid Time	Seat Time
ST	CAR 2069	13:33	WEST 83VB	13:38 13:46	13:46 22:59	83VB WEST	22:59	9h26	7h22

Sign-on	13:33	Deadhead	Deadhead
Travel by	CAR	83rd Ave & Van Buren St..... 16:17	Arrowhead Mall North..... 20:02
Car Pull		83rd Ave & Van Buren St..... 16:21	Arrowhead Mall Layover..... 20:04
West Transit Facility..... 13:38		83 / North / 183 / 20161043	Deadhead
83rd Ave & Van Buren St..... 13:46		83rd Ave & Van Buren St..... 16:39	Arrowhead Mall Layover..... 20:23
Block	2069	Desert Sky TC..... 16:51	Arrowhead Mall North..... 20:25
Deadhead		83rd Ave & Camelback Rd..... 17:01	
83rd Ave & Van Buren St..... 13:46		83rd Ave & Glendale Ave..... 17:07	83 / South / 155 / 20161800
83rd Ave & Van Buren St..... 13:50		83rd Ave & Peoria Ave..... 17:20	Arrowhead Mall North..... 20:25
		83rd Ave & Thunderbird Rd..... 17:26	83rd Ave & Thunderbird Rd..... 20:35
		Arrowhead Mall North..... 17:38	83rd Ave & Peoria Ave..... 20:41
			83rd Ave & Glendale Ave..... 20:52
		Deadhead	83rd Ave & Camelback Rd..... 20:58
		Arrowhead Mall North..... 17:38	Desert Sky TC..... 21:06
		Arrowhead Mall Layover..... 17:40	83rd Ave & Van Buren St..... 21:15
		Deadhead	Deadhead
		Arrowhead Mall Layover..... 17:50	83rd Ave & Van Buren St..... 21:15
		Arrowhead Mall North..... 17:52	83rd Ave & Van Buren St..... 21:19
		83 / South / 155 / 20161793	83 / North / 183 / 20161081
		Arrowhead Mall North..... 17:52	83rd Ave & Van Buren St..... 21:41
		83rd Ave & Thunderbird Rd..... 18:04	Desert Sky TC..... 21:51
		83rd Ave & Peoria Ave..... 18:10	83rd Ave & Camelback Rd..... 21:59
		83rd Ave & Glendale Ave..... 18:21	83rd Ave & Glendale Ave..... 22:05
		83rd Ave & Camelback Rd..... 18:27	83rd Ave & Peoria Ave..... 22:16
		Desert Sky TC..... 18:36	83rd Ave & Thunderbird Rd..... 22:22
		83rd Ave & Van Buren St..... 18:45	Arrowhead Mall North..... 22:32
		Deadhead	Pull In
		83rd Ave & Van Buren St..... 18:45	Arrowhead Mall North..... 22:32
		83rd Ave & Van Buren St..... 18:49	West Transit Facility..... 22:59
		83 / North / 183 / 20161053	
		83rd Ave & Van Buren St..... 19:10	
		Desert Sky TC..... 19:21	
		83rd Ave & Camelback Rd..... 19:29	
		83rd Ave & Glendale Ave..... 19:35	
		83rd Ave & Peoria Ave..... 19:46	
		83rd Ave & Thunderbird Rd..... 19:52	
		Arrowhead Mall North..... 20:02	

Phoenix West

Effective: 01/22/2024

2152

Weekday

Duty Type	Block	Report Time	Start Place	Start Time	End Time	End Place	Clear Time	Paid Time	Seat Time
ST	2153	13:39	WEST	13:44	20:24	WEST	20:24	6h45	5h36

Sign-on	13:39	17 / East / 123 / 20161131				Deadhead			
		43rd Ave & McDowell Rd.....		15:44		59th Ave & Indian School Rd...		18:11	
Block	2153	19th Ave & McDowell Rd.....		16:00		59th Ave & Indian School Rd...		18:17	
		Central Ave & McDowell Rd.....		16:10		-----			
Pull Out		24th St & McDowell Rd.....		16:25		41 / East / 137 / 20161870			
West Transit Facility.....	13:59	44th St & McDowell Rd.....		16:37		59th Ave & Indian School Rd...		18:42	
44th St & McDowell Rd.....	14:39	-----				43rd Ave & Indian School Rd....		18:51	
		Deadhead				19th Ave & Indian School Rd.....		19:05	
17 / West / 124 / 20161231		44th St & McDowell Rd.....		16:37		Central Ave & Indian School Rd.		19:15	
44th St & McDowell Rd.....	14:39	32nd St & Indian School Rd....		16:47		Central Ave & Indian School Rd.		19:19	
24th St & McDowell Rd.....	14:54	-----				24th St & Indian School Rd.....		19:29	
Central Ave & McDowell Rd.....	15:07	41 / West / 139 / 20161899				32nd St & Indian School Rd....		19:32	
19th Ave & McDowell Rd.....	15:15	32nd St & Indian School Rd....		17:04		-----			
43rd Ave & McDowell Rd.....	15:32	24th St & Indian School Rd.....		17:11		Pull In			
		Central Ave & Indian School Rd.		17:30		32nd St & Indian School Rd....		19:32	
Deadhead		Central Ave & Indian School Rd.		17:34		West Transit Facility.....		20:24	
43rd Ave & McDowell Rd.....	15:32	19th Ave & Indian School Rd.....		17:43		-----			
43rd Ave & McDowell Rd.....	15:37	43rd Ave & Indian School Rd....		18:00					
		59th Ave & Indian School Rd...		18:11		-----			

Phoenix West

Effective: 01/22/2024

2153

Weekday

Duty Type	Block	Report Time	Start Place	Start Time	End Time	End Place	Clear Time	Paid Time	Seat Time
ST	CAR 2067	13:40	WEST 107I-E	13:45 14:03	14:03 22:47	107I-E WEST	22:47	9h07	7h44

Sign-on	13:40	17 / West / 127 / 20161557				Deadhead			
		McDowell Rd & Pima Rd West	16:10			Pima Rd & McDowell Rd.....		20:32	
Travel by	CAR	Scottsdale Rd & McDowell Rd....	16:17			Pima Rd & McDowell Rd.....		20:39	
		52nd St & McDowell Rd.....	16:25			-----			
Car Pull		44th St & McDowell Rd.....	16:29			17 / West / 253 / 20161523			
West Transit Facility.....	13:45	24th St & McDowell Rd.....	16:44			Pima Rd & McDowell Rd.....		21:20	
107th Ave & Indian School Rd.	14:03	Central Ave & McDowell Rd.....	16:57			Scottsdale Rd & McDowell Rd....		21:27	
		19th Ave & McDowell Rd.....	17:05			52nd St & McDowell Rd.....		21:34	
Block	2067	43rd Ave & McDowell Rd.....	17:22			44th St & McDowell Rd.....		21:37	
		67th Ave & McDowell Rd.....	17:34			24th St & McDowell Rd.....		21:47	
		83rd Ave & McDowell Rd.....	17:41			Central Ave & McDowell Rd.....		21:57	
41 / East / 172 / 20161944		99th Ave & McDowell Rd.....	17:49			19th Ave & McDowell Rd.....		22:02	
107th Ave & Indian School Rd.	14:03	Litchfield Rd & McDowell Rd....	18:04			43rd Ave & McDowell Rd.....		22:14	
83rd Ave & Indian School Rd....	14:13	Pebble Creek Pkwy & McDow	18:11			67th Ave & McDowell Rd.....		22:23	
59th Ave & Indian School Rd....	14:25	-----				83rd Ave & McDowell Rd.....		22:30	
43rd Ave & Indian School Rd....	14:34	Deadhead				99th Ave & McDowell Rd.....		22:37	
19th Ave & Indian School Rd....	14:50	Pebble Creek Pkwy & McDow	18:11			-----			
Central Ave & Indian School Rd.	15:00	Pebble Creek Pkwy & McDow	18:18			Pull In			
Central Ave & Indian School Rd.	15:04	-----				99th Ave & McDowell Rd.....		22:37	
24th St & Indian School Rd.....	15:17	17 / East / 132 / 20160956				West Transit Facility.....		22:47	
32nd St & Indian School Rd.....	15:22	Pebble Creek Pkwy & McDow	18:40			-----			
44th St & Indian School Rd.....	15:28	Litchfield Rd & McDowell Rd....	18:47						
56th St & Indian School Rd.....	15:34	99th Ave & McDowell Rd.....	19:02						
Scottsdale Rd & Indian School	15:40	83rd Ave & McDowell Rd.....	19:10						
Granite Reef Rd & Indian Sch	15:48	67th Ave & McDowell Rd.....	19:17						
-----		43rd Ave & McDowell Rd.....	19:28						
Deadhead		19th Ave & McDowell Rd.....	19:42						
Granite Reef Rd & Indian Sch	15:48	Central Ave & McDowell Rd.....	19:50						
McDowell Rd & Pima Rd West	15:55	24th St & McDowell Rd.....	20:02						
-----		44th St & McDowell Rd.....	20:13						
		52nd St & McDowell Rd.....	20:17						
		Scottsdale Rd & McDowell Rd....	20:24						
		Pima Rd & McDowell Rd.....	20:32						

Phoenix West

Effective: 01/22/2024

2154

Weekday

Duty Type	Block	Report Time	Start Place	Start Time	End Time	End Place	Clear Time	Paid Time	Seat Time
ST	CAR 2100	13:39	WEST 59IN	13:44 14:05	14:05 24:30	59IN WEST	24:30	10h51	8h54

Sign-on	13:39	Deadhead				41 / West / 724 / 20161806			
		107th Ave & Indian School Rd.	18:10			Granite Reef Rd & Indian Sch	20:41		
Travel by	CAR	107th Ave & Indian School Rd.	18:16			Scottsdale Rd & Indian School	20:46		
						56th St & Indian School Rd.....	20:53		
Car Pull		41 / East / 172 / 20161937				44th St & Indian School Rd.....	20:57		
West Transit Facility.....	13:44	107th Ave & Indian School Rd.	18:39			32nd St & Indian School Rd.....	21:03		
59th Ave & Indian School Rd...	14:05	83rd Ave & Indian School Rd.....	18:48			24th St & Indian School Rd.....	21:08		
		59th Ave & Indian School Rd.....	19:00			Central Ave & Indian School Rd.	21:20		
Block	2100	43rd Ave & Indian School Rd.....	19:09			Central Ave & Indian School Rd.	21:24		
		19th Ave & Indian School Rd.....	19:23			19th Ave & Indian School Rd.....	21:30		
41 / East / 172 / 20161858		Central Ave & Indian School Rd.	19:30			43rd Ave & Indian School Rd.....	21:43		
59th Ave & Indian School Rd...	14:05	Central Ave & Indian School Rd.	19:34			59th Ave & Indian School Rd.....	21:51		
43rd Ave & Indian School Rd.....	14:14	24th St & Indian School Rd.....	19:44			83rd Ave & Indian School Rd.....	22:01		
19th Ave & Indian School Rd.....	14:30	32nd St & Indian School Rd.....	19:47			107th Ave & Indian School Rd.	22:12		
Central Ave & Indian School Rd.	14:40	44th St & Indian School Rd.....	19:52						
Central Ave & Indian School Rd.	14:44	56th St & Indian School Rd.....	19:56			Deadhead			
24th St & Indian School Rd.....	14:58	Scottsdale Rd & Indian School	20:02			107th Ave & Indian School Rd.	22:12		
32nd St & Indian School Rd.....	15:03	Granite Reef Rd & Indian Sch	20:10			107th Ave & Indian School Rd.	22:18		
44th St & Indian School Rd.....	15:09								
56th St & Indian School Rd.....	15:15	Deadhead				41 / East / 267 / 20161930			
Scottsdale Rd & Indian School	15:21	Granite Reef Rd & Indian Sch	20:10			107th Ave & Indian School Rd.	22:54		
Granite Reef Rd & Indian Sch	15:29	Pima Rd & Chaparral Rd.....	20:14			83rd Ave & Indian School Rd.....	23:01		
						59th Ave & Indian School Rd.....	23:09		
Deadhead		Deadhead				43rd Ave & Indian School Rd.....	23:16		
Granite Reef Rd & Indian Sch	15:29	Pima Rd & Chaparral Rd.....	20:37			19th Ave & Indian School Rd.....	23:26		
Pima Rd & Chaparral Rd.....	15:33	Granite Reef Rd & Indian Sch	20:41			Central Ave & Indian School Rd.	23:30		
						Central Ave & Indian School Rd.	23:34		
Deadhead						24th St & Indian School Rd.....	23:44		
Pima Rd & Chaparral Rd.....	16:03					32nd St & Indian School Rd.....	23:47		
Granite Reef Rd & Indian Sch	16:07					44th St & Indian School Rd.....	23:51		
						56th St & Indian School Rd.....	23:55		
41 / West / 724 / 20161825									
Granite Reef Rd & Indian Sch	16:07					Pull In			
Scottsdale Rd & Indian School	16:13					56th St & Indian School Rd.....	23:55		
56th St & Indian School Rd.....	16:21					West Transit Facility.....	24:30		
44th St & Indian School Rd.....	16:27								
32nd St & Indian School Rd.....	16:34								
24th St & Indian School Rd.....	16:41								
Central Ave & Indian School Rd.	17:00								
Central Ave & Indian School Rd.	17:04								
19th Ave & Indian School Rd.....	17:13								
43rd Ave & Indian School Rd.....	17:33								
59th Ave & Indian School Rd.....	17:44								
83rd Ave & Indian School Rd.....	17:57								
107th Ave & Indian School Rd.	18:10								

Phoenix West

Effective: 01/22/2024

2155

Weekday

Duty Type	Block	Report Time	Start Place	Start Time	End Time	End Place	Clear Time	Paid Time	Seat Time
ST	CAR 2120	13:46	WEST 75LB	13:51 14:06	14:06 24:00	75LB WEST	24:00	10h14	8h01

Sign-on	13:46	67 / North / 108 / 20161172	75 / South / 149 / 20161730
		Sierra Linda HS-North.....	17:24 75th Ave & Camelback Rd..... 21:07
Travel by	CAR	67th Ave & Van Buren St.....	17:34 Desert Sky TC..... 21:17
		67th Ave & Thomas Rd.....	17:45 75th Ave & Van Buren St..... 21:28
Car Pull		67th Ave & Camelback Rd.....	17:54 75th Ave & Lower Buckeye Rd 21:32
West Transit Facility.....	13:51	67th Ave & Glendale Ave.....	18:07 -----
75th Ave & Lower Buckeye Rd	14:06	67th Ave & Olive Ave.....	18:14 Deadhead
		67th Ave & Thunderbird Rd.....	18:23 75th Ave & Lower Buckeye Rd 21:32
Block	2120	67th Ave & Union Hills Dr.....	18:33 Sierra Linda HS-North..... 21:37
		-----	-----
Deadhead		Deadhead	67 / North / 250 / 20161139
75th Ave & Lower Buckeye Rd	14:06	67th Ave & Union Hills Dr.....	18:33 Sierra Linda HS-North..... 22:05
Sierra Linda HS-North.....	14:11	67th Ave & Union Hills Dr.....	18:38 67th Ave & Van Buren St..... 22:11
		-----	67th Ave & Thomas Rd..... 22:18
67 / North / 108 / 20161197		67 / South / 254 / 20161638	67th Ave & Camelback Rd..... 22:24
Sierra Linda HS-North.....	14:22	67th Ave & Union Hills Dr.....	18:51
67th Ave & Van Buren St.....	14:33	67th Ave & Thunderbird Rd.....	19:00 Deadhead
67th Ave & Thomas Rd.....	14:44	67th Ave & Olive Ave.....	19:09 67th Ave & Camelback Rd..... 22:24
67th Ave & Camelback Rd.....	14:54	67th Ave & Glendale Ave.....	19:17 75th Ave & Camelback Rd..... 22:27
67th Ave & Glendale Ave.....	15:06	67th Ave & Camelback Rd.....	19:26 -----
67th Ave & Olive Ave.....	15:13	67th Ave & Thomas Rd.....	19:35 75 / South / 149 / 20161733
67th Ave & Thunderbird Rd.....	15:22	67th Ave & Van Buren St.....	19:45 75th Ave & Camelback Rd..... 22:38
67th Ave & Union Hills Dr.....	15:32	Sierra Linda HS-South.....	19:53 Desert Sky TC..... 22:47
		-----	75th Ave & Van Buren St..... 22:56
Deadhead		Deadhead	75th Ave & Lower Buckeye Rd 23:00
67th Ave & Union Hills Dr.....	15:32	Sierra Linda HS-South.....	19:53
67th Ave & Union Hills Dr.....	15:37	75th Ave & Lower Buckeye Rd	19:58
		-----	-----
67 / South / 254 / 20161626		75 / North / 147 / 20161787	75th Ave & Lower Buckeye Rd 23:00
67th Ave & Union Hills Dr.....	15:50	75th Ave & Lower Buckeye Rd	20:17
67th Ave & Thunderbird Rd.....	15:59	75th Ave & Van Buren St.....	20:22 75 / North / 147 / 20161797
67th Ave & Olive Ave.....	16:09	Desert Sky TC.....	20:37 75th Ave & Lower Buckeye Rd 23:20
67th Ave & Glendale Ave.....	16:17	75th Ave & Camelback Rd.....	20:45 75th Ave & Van Buren St..... 23:24
67th Ave & Camelback Rd.....	16:26	-----	Desert Sky TC..... 23:37
67th Ave & Thomas Rd.....	16:36	Deadhead	75th Ave & Camelback Rd..... 23:45
67th Ave & Van Buren St.....	16:48	75th Ave & Camelback Rd.....	20:45
Sierra Linda HS-South.....	16:57	75th Ave & Camelback Rd.....	20:57
		-----	-----
Deadhead		Deadhead	Pull In
Sierra Linda HS-South.....	17:08	Sierra Linda HS-South.....	17:08
Sierra Linda HS-North.....	17:24	Sierra Linda HS-North.....	17:24
		-----	75th Ave & Camelback Rd..... 23:45
			West Transit Facility..... 24:00

Phoenix West

Effective: 01/22/2024

2156

Weekday

Duty Type	Block	Report Time	Start Place	Start Time	End Time	End Place	Clear Time	Paid Time	Seat Time
ST	2154	13:48	WEST	13:53	21:50	WEST	21:50	8h02	6h55

Sign-on	13:48	Deadhead	17 / East / 132 / 20160955
		Granite Reef Rd & Indian Sch	16:08
Block	2154	Pima Rd & McDowell Rd.....	16:15

Pull Out		17 / West / 127 / 20161555	
West Transit Facility.....	14:08	Pima Rd & McDowell Rd.....	16:30
107th Ave & Indian School Rd.	14:23	Scottsdale Rd & McDowell Rd....	16:37
		52nd St & McDowell Rd.....	16:45
		44th St & McDowell Rd.....	16:49
		24th St & McDowell Rd.....	17:04
		Central Ave & McDowell Rd.....	17:17
		19th Ave & McDowell Rd.....	17:25
		43rd Ave & McDowell Rd.....	17:42
		67th Ave & McDowell Rd.....	17:54
		83rd Ave & McDowell Rd.....	18:01
		99th Ave & McDowell Rd.....	18:09
		Litchfield Rd & McDowell Rd.....	18:24
		Pebble Creek Pkwy & McDow	18:31

		Deadhead	
		Pebble Creek Pkwy & McDow	18:31
		Pebble Creek Pkwy & McDow	18:38

		Pull In	
		Pima Rd & McDowell Rd.....	21:02
		West Transit Facility.....	21:50

Phoenix West

Effective: 01/22/2024

2157
Weekday

Duty Type	Block	Report Time	Start Place	Start Time	End Time	End Place	Clear Time	Paid Time	Seat Time
ST	CAR 2072	13:52	WEST DSTC	13:57 14:11	14:11 24:10	DSTC WEST	24:10	10h18	8h41

Sign-on	13:52	Deadhead	Deadhead
Travel by	CAR	93rd Ave & Thomas Rd..... 18:30	93rd Ave & Thomas Rd..... 22:14
Car Pull		Deadhead	Deadhead
West Transit Facility..... 13:57		94th Av Layover..... 18:53	94th Av Layover..... 22:28
Desert Sky TC..... 14:11		93rd Ave & Thomas Rd..... 18:54	93rd Ave & Thomas Rd..... 22:29
Block	2072	29 / East / 31 / 20161579	29 / East / 257 / 20161600
Deadhead		93rd Ave & Thomas Rd..... 18:54	93rd Ave & Thomas Rd..... 22:29
Desert Sky TC..... 14:25		Thomas Rd at Desert Sky TC.... 19:00	Thomas Rd at Desert Sky TC.... 22:34
Thomas Rd at Desert Sky TC.. 14:27		67th Ave & Thomas Rd..... 19:07	67th Ave & Thomas Rd..... 22:41
		51st Ave & Thomas Rd..... 19:15	51st Ave & Thomas Rd..... 22:48
		35th Ave & Thomas Rd..... 19:21	35th Ave & Thomas Rd..... 22:54
		19th Ave & Thomas Rd..... 19:30	19th Ave & Thomas Rd..... 23:02
29 / East / 31 / 20161122		Central Ave & Thomas Rd..... 19:40	Central Ave & Thomas Rd..... 23:10
Thomas Rd at Desert Sky TC.. 14:27		24th St & Thomas Rd..... 19:51	24th St & Thomas Rd..... 23:19
67th Ave & Thomas Rd..... 14:36		44th St & Thomas Rd..... 20:05	44th St & Thomas Rd..... 23:30
51st Ave & Thomas Rd..... 14:45		56th St & Thomas Rd..... 20:11	56th St & Thomas Rd..... 23:35
35th Ave & Thomas Rd..... 14:53		Scottsdale Rd & Thomas Rd.... 20:16	
19th Ave & Thomas Rd..... 15:04		Pima Park..... 20:24	
Central Ave & Thomas Rd..... 15:16			Pull In
24th St & Thomas Rd..... 15:29			56th St & Thomas Rd..... 23:35
44th St & Thomas Rd..... 15:47		29 / West / 199 / 20161387	West Transit Facility..... 24:10
56th St & Thomas Rd..... 15:54		Pima Park..... 20:43	
Scottsdale Rd & Thomas Rd.... 16:01		Scottsdale Rd & Thomas Rd.... 20:47	
Pima Park..... 16:10		56th St & Thomas Rd..... 20:54	
		44th St & Thomas Rd..... 21:01	
29 / West / 199 / 20161405		24th St & Thomas Rd..... 21:13	
Pima Park..... 16:34		Central Ave & Thomas Rd..... 21:25	
Scottsdale Rd & Thomas Rd.... 16:40		19th Ave & Thomas Rd..... 21:35	
56th St & Thomas Rd..... 16:47		35th Ave & Thomas Rd..... 21:44	
44th St & Thomas Rd..... 16:56		51st Ave & Thomas Rd..... 21:52	
24th St & Thomas Rd..... 17:09		67th Ave & Thomas Rd..... 21:58	
Central Ave & Thomas Rd..... 17:24		Desert Sky TC..... 22:05	
19th Ave & Thomas Rd..... 17:35		Desert Sky TC..... 22:08	
35th Ave & Thomas Rd..... 17:49		93rd Ave & Thomas Rd..... 22:14	
51st Ave & Thomas Rd..... 18:02			
67th Ave & Thomas Rd..... 18:10			
Desert Sky TC..... 18:20			
Desert Sky TC..... 18:23			
93rd Ave & Thomas Rd..... 18:30			

Phoenix West

Effective: 01/22/2024

2158
Weekday

Duty Type	Block	Report Time	Start Place	Start Time	End Time	End Place	Clear Time	Paid Time	Seat Time
ST	CAR 2090	13:51	WEST 83VB	13:56 14:04	14:04 24:07	83VB WEST	24:07	10h16	8h23

Sign-on	13:51	3 / West / 546 / 20162150				3 / West / 104 / 20162161			
		Phoenix Zoo.....	17:09			Galvin Pkwy & Van Buren St...	21:26		
Travel by	CAR	Galvin Pkwy & Van Buren St.....	17:12			44th St & Van Buren St.....	21:33		
		44th St & Van Buren St.....	17:20			24th St & Van Buren St.....	21:41		
Car Pull		24th St & Van Buren St.....	17:33			2nd Ave & Van Buren St.....	21:48		
West Transit Facility.....	13:56	2nd Ave & Van Buren St.....	17:48			19th Ave & Van Buren St.....	21:54		
83rd Ave & Van Buren St.....	14:04	19th Ave & Van Buren St.....	17:57			35th Ave & Van Buren St.....	22:01		
		35th Ave & Van Buren St.....	18:07			51st Ave & Van Buren St.....	22:08		
Block	2090	51st Ave & Van Buren St.....	18:17			67th Ave & Van Buren St.....	22:14		
		67th Ave & Van Buren St.....	18:26			83rd Ave & Van Buren St.....	22:20		
		83rd Ave & Van Buren St.....	18:34						
3 / West / 546 / 20162133		99th Ave & Van Buren St.....	18:42			Deadhead			
83rd Ave & Van Buren St.....	14:04	Avondale Civic Center.....	18:50			83rd Ave & Van Buren St.....	22:20		
99th Ave & Van Buren St.....	14:12	4th St & La Canada Blvd.....	19:01			83rd Ave & Van Buren St.....	22:24		
Avondale Civic Center.....	14:20								
4th St & La Canada Blvd.....	14:31								
		3 / East / 181 / 20162094				3 / East / 181 / 20162095			
3 / East / 86 / 20162078		4th St & La Canada Blvd.....	19:33			83rd Ave & Van Buren St.....	22:37		
4th St & La Canada Blvd.....	14:53	Avondale Civic Center.....	19:47			67th Ave & Van Buren St.....	22:42		
Avondale Civic Center.....	15:07	99th Ave & Van Buren St.....	19:53			51st Ave & Van Buren St.....	22:49		
99th Ave & Van Buren St.....	15:13	83rd Ave & Van Buren St.....	20:00			35th Ave & Van Buren St.....	22:56		
83rd Ave & Van Buren St.....	15:21	67th Ave & Van Buren St.....	20:05			19th Ave & Van Buren St.....	23:03		
67th Ave & Van Buren St.....	15:26	51st Ave & Van Buren St.....	20:14			Central Ave & Van Buren St.....	23:10		
51st Ave & Van Buren St.....	15:39	35th Ave & Van Buren St.....	20:23			24th St & Van Buren St.....	23:18		
35th Ave & Van Buren St.....	15:50	19th Ave & Van Buren St.....	20:32			44th St & Van Buren St.....	23:26		
19th Ave & Van Buren St.....	16:01	Central Ave & Van Buren St.....	20:40			Galvin Pkwy & Van Buren St...	23:32		
Central Ave & Van Buren St.....	16:10	24th St & Van Buren St.....	20:50						
24th St & Van Buren St.....	16:24	44th St & Van Buren St.....	20:58			Pull In			
44th St & Van Buren St.....	16:33	Galvin Pkwy & Van Buren St...	21:04			Galvin Pkwy & Van Buren St...	23:32		
Galvin Pkwy & Van Buren St.....	16:40					West Transit Facility.....	24:07		
Phoenix Zoo.....	16:44	Deadhead							
		Galvin Pkwy & Van Buren St...	21:04						
		Galvin Pkwy & Van Buren St...	21:10						

Phoenix West

Effective: 01/22/2024

2159

Weekday

Duty Type	Block	Report Time	Start Place	Start Time	End Time	End Place	Clear Time	Paid Time	Seat Time
ST	2156	13:58	WEST	14:03	19:59	WEST	19:59	6h01	4h50

Sign-on	13:58	Deadhead				41 / East / 137 / 20161853			
		32nd St & Indian School Rd....		15:32		83rd Ave & Indian School Rd..		18:00	
Block	2156	32nd St & Indian School Rd....		15:44		59th Ave & Indian School Rd.....		18:12	
						43rd Ave & Indian School Rd.....		18:21	
Pull Out						19th Ave & Indian School Rd.....		18:35	
West Transit Facility.....	14:18	32nd St & Indian School Rd....		16:04		Central Ave & Indian School Rd.		18:45	
59th Ave & Indian School Rd...	14:35	24th St & Indian School Rd.....		16:11		Central Ave & Indian School Rd.		18:49	
		Central Ave & Indian School Rd.		16:30		24th St & Indian School Rd.....		19:02	
		Central Ave & Indian School Rd.		16:34		32nd St & Indian School Rd....		19:07	
41 / East / 137 / 20161874		19th Ave & Indian School Rd.....		16:43					
59th Ave & Indian School Rd...	14:35	43rd Ave & Indian School Rd.....		17:04		Pull In			
43rd Ave & Indian School Rd.....	14:44	59th Ave & Indian School Rd...		17:15		32nd St & Indian School Rd....		19:07	
19th Ave & Indian School Rd.....	15:00					West Transit Facility.....		19:59	
Central Ave & Indian School Rd.	15:10								
Central Ave & Indian School Rd.	15:14	Deadhead							
24th St & Indian School Rd.....	15:27	59th Ave & Indian School Rd...		17:15					
32nd St & Indian School Rd....	15:32	83rd Ave & Indian School Rd..		17:29					

Phoenix West

Effective: 01/22/2024

2160
Weekday

Duty Type	Block	Report Time	Start Place	Start Time	End Time	End Place	Clear Time	Paid Time	Seat Time
ST	2157	14:01	WEST	14:06	24:27	WEST	24:27	10h26	8h43

Sign-on	14:01	41 / East / 172 / 20161938				Deadhead			
		107th Ave & Indian School Rd.	18:06			107th Ave & Indian School Rd.		21:44	
Block	2157	83rd Ave & Indian School Rd.....	18:15			107th Ave & Indian School Rd.		21:50	
		59th Ave & Indian School Rd.....	18:27						
Pull Out		43rd Ave & Indian School Rd.....	18:36			41 / East / 172 / 20161924			
West Transit Facility.....	14:21	19th Ave & Indian School Rd.....	18:50			107th Ave & Indian School Rd.		22:24	
Granite Reef Rd & Indian Sch	15:27	Central Ave & Indian School Rd.	19:00			83rd Ave & Indian School Rd.....		22:31	
		Central Ave & Indian School Rd.	19:04			59th Ave & Indian School Rd.....		22:39	
		24th St & Indian School Rd.....	19:17			43rd Ave & Indian School Rd.....		22:46	
41 / West / 724 / 20161823		32nd St & Indian School Rd.....	19:20			19th Ave & Indian School Rd.....		22:56	
Granite Reef Rd & Indian Sch	15:27	44th St & Indian School Rd.....	19:25			Central Ave & Indian School Rd.		23:00	
Scottsdale Rd & Indian School	15:33	56th St & Indian School Rd.....	19:29			Central Ave & Indian School Rd.		23:04	
56th St & Indian School Rd.....	15:41	Scottsdale Rd & Indian School	19:35			24th St & Indian School Rd.....		23:14	
44th St & Indian School Rd.....	15:47	Granite Reef Rd & Indian Sch	19:43			32nd St & Indian School Rd.....		23:17	
32nd St & Indian School Rd.....	15:54					44th St & Indian School Rd.....		23:21	
24th St & Indian School Rd.....	16:01	Deadhead				56th St & Indian School Rd.....		23:25	
Central Ave & Indian School Rd.	16:20	Granite Reef Rd & Indian Sch	19:43			Scottsdale Rd & Indian School		23:31	
Central Ave & Indian School Rd.	16:24	Pima Rd & Chaparral Rd.....	19:47			Granite Reef Rd & Indian Sch		23:37	
19th Ave & Indian School Rd.....	16:33								
43rd Ave & Indian School Rd.....	16:54	Deadhead				Pull In			
59th Ave & Indian School Rd.....	17:05	Pima Rd & Chaparral Rd.....	20:07			Granite Reef Rd & Indian Sch		23:37	
83rd Ave & Indian School Rd.....	17:18	Granite Reef Rd & Indian Sch	20:11			West Transit Facility.....		24:27	
107th Ave & Indian School Rd.	17:31								
		41 / West / 724 / 20161810							
Deadhead		Granite Reef Rd & Indian Sch	20:11						
107th Ave & Indian School Rd.	17:31	Scottsdale Rd & Indian School	20:16						
107th Ave & Indian School Rd.	17:37	56th St & Indian School Rd.....	20:23						
		44th St & Indian School Rd.....	20:27						
		32nd St & Indian School Rd.....	20:33						
		24th St & Indian School Rd.....	20:38						
		Central Ave & Indian School Rd.	20:50						
		Central Ave & Indian School Rd.	20:54						
		19th Ave & Indian School Rd.....	21:00						
		43rd Ave & Indian School Rd.....	21:14						
		59th Ave & Indian School Rd.....	21:23						
		83rd Ave & Indian School Rd.....	21:33						
		107th Ave & Indian School Rd.	21:44						

Phoenix West

Effective: 01/22/2024

2161
Weekday

Duty Type	Block	Report Time	Start Place	Start Time	End Time	End Place	Clear Time	Paid Time	Seat Time
ST	CAR 2063	14:04	WEST 83MC	14:09 14:21	14:21 24:22	83MC WEST	24:22	10h18	8h20

Sign-on	14:04	Deadhead	Deadhead
Travel by	CAR	Pima Rd & McDowell Rd..... 17:48	Granite Reef Rd & Indian Sch 22:09
Car Pull		Pima Rd & McDowell Rd..... 17:55	Pima Rd & Chaparral Rd..... 22:13
West Transit Facility..... 14:09		17 / West / 127 / 20161543	Deadhead
83rd Ave & McDowell Rd..... 14:21		Pima Rd & McDowell Rd..... 18:10	Pima Rd & Chaparral Rd..... 22:45
Block	2063	Scottsdale Rd & McDowell Rd.... 18:17	Granite Reef Rd & Indian Sch 22:49
		52nd St & McDowell Rd..... 18:25	
		44th St & McDowell Rd..... 18:29	41 / West / 724 / 20161816
		24th St & McDowell Rd..... 18:44	Granite Reef Rd & Indian Sch 22:49
17 / West / 127 / 20161577		Central Ave & McDowell Rd..... 18:57	Scottsdale Rd & Indian School 22:53
83rd Ave & McDowell Rd..... 14:21		19th Ave & McDowell Rd..... 19:04	56th St & Indian School Rd..... 22:59
99th Ave & McDowell Rd..... 14:29		43rd Ave & McDowell Rd..... 19:19	44th St & Indian School Rd..... 23:02
Litchfield Rd & McDowell Rd..... 14:44		67th Ave & McDowell Rd..... 19:30	32nd St & Indian School Rd..... 23:06
Pebble Creek Pkwy & McDow 14:51		83rd Ave & McDowell Rd..... 19:37	24th St & Indian School Rd..... 23:10
		99th Ave & McDowell Rd..... 19:45	Central Ave & Indian School Rd. 23:20
Deadhead		Litchfield Rd & McDowell Rd..... 20:00	Central Ave & Indian School Rd. 23:24
Pebble Creek Pkwy & McDow 14:51		Pebble Creek Pkwy & McDow 20:07	19th Ave & Indian School Rd..... 23:29
Pebble Creek Pkwy & McDow 14:58			43rd Ave & Indian School Rd..... 23:41
		Deadhead	59th Ave & Indian School Rd..... 23:46
17 / East / 132 / 20160971		Pebble Creek Pkwy & McDow 20:07	83rd Ave & Indian School Rd..... 23:56
Pebble Creek Pkwy & McDow 15:43		107th Ave & Indian School Rd. 20:27	107th Ave & Indian School Rd. 24:07
Litchfield Rd & McDowell Rd..... 15:50			
99th Ave & McDowell Rd..... 16:05		41 / East / 172 / 20161934	Pull In
83rd Ave & McDowell Rd..... 16:13		107th Ave & Indian School Rd. 20:48	107th Ave & Indian School Rd. 24:07
67th Ave & McDowell Rd..... 16:20		83rd Ave & Indian School Rd..... 20:56	West Transit Facility..... 24:22
43rd Ave & McDowell Rd..... 16:34		59th Ave & Indian School Rd..... 21:06	
19th Ave & McDowell Rd..... 16:50		43rd Ave & Indian School Rd..... 21:13	
Central Ave & McDowell Rd..... 17:00		19th Ave & Indian School Rd..... 21:26	
24th St & McDowell Rd..... 17:15		Central Ave & Indian School Rd. 21:30	
44th St & McDowell Rd..... 17:27		Central Ave & Indian School Rd. 21:34	
52nd St & McDowell Rd..... 17:31		24th St & Indian School Rd..... 21:44	
Scottsdale Rd & McDowell Rd.... 17:40		32nd St & Indian School Rd..... 21:47	
Pima Rd & McDowell Rd..... 17:48		44th St & Indian School Rd..... 21:51	
		56th St & Indian School Rd..... 21:55	
		Scottsdale Rd & Indian School 22:01	
		Granite Reef Rd & Indian Sch 22:09	

Phoenix West

Effective: 01/22/2024

2162

Weekday

Duty Type	Block	Report Time	Start Place	Start Time	End Time	End Place	Clear Time	Paid Time	Seat Time
ST	CAR 2041	14:03	WEST 67VB	14:08 14:18	14:18 23:40	67VB WEST	23:40	9h37	6h09

Sign-on	14:03	Deadhead	Deadhead
Travel by	CAR	75th Ave & Lower Buckeye Rd	75th Ave & Camelback Rd..... 21:15
Car Pull		Sierra Linda HS-North..... 17:10	75th Ave & Camelback Rd..... 21:27
West Transit Facility..... 14:08		67 / North / 108 / 20161170	75 / South / 149 / 20161732
67th Ave & Van Buren St..... 14:18		Sierra Linda HS-North..... 17:55	75th Ave & Camelback Rd..... 21:38
Block	2041	67th Ave & Van Buren St..... 18:05	Desert Sky TC..... 21:47
		67th Ave & Thomas Rd..... 18:15	75th Ave & Van Buren St..... 21:56
		67th Ave & Camelback Rd..... 18:24	75th Ave & Lower Buckeye Rd 22:00
		67th Ave & Glendale Ave..... 18:37	
67 / South / 254 / 20161621		67th Ave & Olive Ave..... 18:44	Deadhead
67th Ave & Van Buren St..... 14:18		67th Ave & Thunderbird Rd..... 18:53	75th Ave & Lower Buckeye Rd 22:00
Sierra Linda HS-South..... 14:28		67th Ave & Union Hills Dr..... 19:03	Sierra Linda HS-North..... 22:05
Deadhead		Deadhead	67 / North / 250 / 20161138
Sierra Linda HS-South..... 14:28		67th Ave & Union Hills Dr..... 19:03	Sierra Linda HS-North..... 22:35
75th Ave & Lower Buckeye Rd 14:33		67th Ave & Union Hills Dr..... 19:07	67th Ave & Van Buren St..... 22:41
			67th Ave & Thomas Rd..... 22:48
75 / North / 147 / 20161772		67 / South / 254 / 20161640	67th Ave & Camelback Rd..... 22:54
75th Ave & Lower Buckeye Rd 15:11		67th Ave & Union Hills Dr..... 19:22	Deadhead
75th Ave & Van Buren St..... 15:17		67th Ave & Thunderbird Rd..... 19:30	67th Ave & Camelback Rd..... 22:54
Desert Sky TC..... 15:37		67th Ave & Olive Ave..... 19:39	75th Ave & Camelback Rd..... 22:57
75th Ave & Camelback Rd..... 15:50		67th Ave & Glendale Ave..... 19:47	
		67th Ave & Camelback Rd..... 19:56	75 / South / 149 / 20161734
Deadhead		67th Ave & Thomas Rd..... 20:05	75th Ave & Camelback Rd..... 23:08
75th Ave & Camelback Rd..... 15:50		67th Ave & Van Buren St..... 20:15	Desert Sky TC..... 23:17
75th Ave & Camelback Rd..... 16:02		Sierra Linda HS-South..... 20:23	75th Ave & Van Buren St..... 23:26
			75th Ave & Lower Buckeye Rd 23:30
75 / South / 149 / 20161717		Deadhead	
75th Ave & Camelback Rd..... 16:35		Sierra Linda HS-South..... 20:23	Pull In
Desert Sky TC..... 16:47		75th Ave & Lower Buckeye Rd 20:28	75th Ave & Lower Buckeye Rd 23:30
75th Ave & Van Buren St..... 17:01			West Transit Facility..... 23:40
75th Ave & Lower Buckeye Rd 17:05		75 / North / 147 / 20161789	
		75th Ave & Lower Buckeye Rd 20:48	
		75th Ave & Van Buren St..... 20:53	
		Desert Sky TC..... 21:07	
		75th Ave & Camelback Rd..... 21:15	

Phoenix West

Effective: 01/22/2024

2163

Weekday

Duty Type	Block	Report Time	Start Place	Start Time	End Time	End Place	Clear Time	Paid Time	Seat Time
ST	2158	14:06	WEST	14:11	23:40	WEST	23:40	9h34	6h46

Sign-on	14:06	Deadhead	Deadhead
		67th Ave & Union Hills Dr.....	18:03
		67th Ave & Lower Buckeye Rd	21:02
Block	2158	67th Ave & Union Hills Dr.....	18:08
		Sierra Linda HS-North.....	21:07
<hr/>			
Pull Out		67 / South / 254 / 20161636	67 / North / 250 / 20161147
West Transit Facility.....	14:26	67th Ave & Union Hills Dr.....	18:21
75th Ave & Lower Buckeye Rd	14:41	67th Ave & Thunderbird Rd.....	18:30
		67th Ave & Olive Ave.....	18:39
		67th Ave & Glendale Ave.....	18:47
		67th Ave & Camelback Rd.....	18:56
		67th Ave & Thomas Rd.....	19:05
		67th Ave & Van Buren St.....	19:17
		Sierra Linda HS-South.....	19:25
		75th Ave & Lower Buckeye Rd	21:35
		75th Ave & Lower Buckeye Rd	21:41
		75th Ave & Lower Buckeye Rd	21:48
		75th Ave & Lower Buckeye Rd	21:54
<hr/>			
75 / North / 147 / 20161770		67th Ave & Camelback Rd.....	18:56
75th Ave & Lower Buckeye Rd	14:41	67th Ave & Thomas Rd.....	19:05
75th Ave & Van Buren St.....	14:47	67th Ave & Van Buren St.....	19:17
Desert Sky TC.....	15:07	Sierra Linda HS-South.....	19:25
75th Ave & Camelback Rd.....	15:20	75th Ave & Lower Buckeye Rd	21:54
		75th Ave & Lower Buckeye Rd	21:57
<hr/>			
Deadhead		Deadhead	75 / South / 149 / 20161728
75th Ave & Camelback Rd.....	15:20	Sierra Linda HS-South.....	19:25
75th Ave & Camelback Rd.....	15:32	75th Ave & Lower Buckeye Rd	19:30
		75th Ave & Lower Buckeye Rd	22:08
		Desert Sky TC.....	22:17
		75th Ave & Van Buren St.....	22:26
		75th Ave & Lower Buckeye Rd	22:30
<hr/>			
75 / South / 149 / 20161716		75 / North / 147 / 20161785	
75th Ave & Camelback Rd.....	16:05	75th Ave & Lower Buckeye Rd	19:47
Desert Sky TC.....	16:17	75th Ave & Van Buren St.....	19:52
75th Ave & Van Buren St.....	16:33	Desert Sky TC.....	20:07
75th Ave & Lower Buckeye Rd	16:41	75th Ave & Camelback Rd.....	20:17
		75th Ave & Lower Buckeye Rd	22:30
		Sierra Linda HS-North.....	22:35
<hr/>			
Deadhead		Deadhead	67 / North / 250 / 20161140
75th Ave & Lower Buckeye Rd	16:41	75th Ave & Camelback Rd.....	20:17
Sierra Linda HS-North.....	16:46	75th Ave & Camelback Rd.....	20:29
		75th Ave & Lower Buckeye Rd	20:37
		Desert Sky TC.....	20:47
		75th Ave & Van Buren St.....	20:58
		75th Ave & Lower Buckeye Rd	21:02
<hr/>			
67 / North / 108 / 20161179		75 / South / 149 / 20161729	
Sierra Linda HS-North.....	16:54	75th Ave & Camelback Rd.....	20:37
67th Ave & Van Buren St.....	17:04	Desert Sky TC.....	20:47
67th Ave & Thomas Rd.....	17:15	75th Ave & Van Buren St.....	20:58
67th Ave & Camelback Rd.....	17:24	75th Ave & Lower Buckeye Rd	21:02
67th Ave & Glendale Ave.....	17:37	75th Ave & Lower Buckeye Rd	23:24
67th Ave & Olive Ave.....	17:44	West Transit Facility.....	23:40
67th Ave & Thunderbird Rd.....	17:53		
67th Ave & Union Hills Dr.....	18:03		

Phoenix West

Effective: 01/22/2024

2164

Weekday

Duty Type	Block	Report Time	Start Place	Start Time	End Time	End Place	Clear Time	Paid Time	Seat Time
ST	CAR 2088	14:09	WEST 83IN	14:14 14:27	14:27 24:45	83IN WEST	24:45	10h36	8h45

Sign-on	14:09	Deadhead				41 / West / 724 / 20161809			
		107th Ave & Indian School Rd.	18:47			Granite Reef Rd & Indian Sch	21:14		
Travel by	CAR	107th Ave & Indian School Rd.	18:53			Scottsdale Rd & Indian School	21:19		
						56th St & Indian School Rd.....	21:26		
Car Pull		41 / East / 172 / 20161936				44th St & Indian School Rd.....	21:30		
West Transit Facility.....	14:14	107th Ave & Indian School Rd.	19:10			32nd St & Indian School Rd.....	21:36		
83rd Ave & Indian School Rd..	14:27	83rd Ave & Indian School Rd.....	19:19			24th St & Indian School Rd.....	21:40		
		59th Ave & Indian School Rd.....	19:30			Central Ave & Indian School Rd.	21:50		
Block	2088	43rd Ave & Indian School Rd.....	19:39			Central Ave & Indian School Rd.	21:54		
		19th Ave & Indian School Rd.....	19:53			19th Ave & Indian School Rd.....	21:59		
41 / East / 172 / 20161857		Central Ave & Indian School Rd.	20:00			43rd Ave & Indian School Rd.....	22:12		
83rd Ave & Indian School Rd..	14:52	Central Ave & Indian School Rd.	20:04			59th Ave & Indian School Rd.....	22:20		
59th Ave & Indian School Rd.....	15:05	24th St & Indian School Rd.....	20:14			83rd Ave & Indian School Rd.....	22:30		
43rd Ave & Indian School Rd.....	15:14	32nd St & Indian School Rd.....	20:17			107th Ave & Indian School Rd.	22:41		
19th Ave & Indian School Rd.....	15:30	44th St & Indian School Rd.....	20:22						
Central Ave & Indian School Rd.	15:40	56th St & Indian School Rd.....	20:26			Deadhead			
Central Ave & Indian School Rd.	15:44	Scottsdale Rd & Indian School	20:32			107th Ave & Indian School Rd.	22:41		
24th St & Indian School Rd.....	15:57	Granite Reef Rd & Indian Sch	20:40			99th Ave & McDowell Rd.....	22:49		
32nd St & Indian School Rd.....	16:02								
44th St & Indian School Rd.....	16:08	Deadhead				17 / East / 255 / 20161691			
56th St & Indian School Rd.....	16:14	Granite Reef Rd & Indian Sch	20:40			99th Ave & McDowell Rd.....	23:12		
Scottsdale Rd & Indian School	16:20	Pima Rd & Chaparral Rd.....	20:44			83rd Ave & McDowell Rd.....	23:18		
Granite Reef Rd & Indian Sch	16:28					67th Ave & McDowell Rd.....	23:24		
Pima Rd & Chaparral Rd.....	16:32	Deadhead				43rd Ave & McDowell Rd.....	23:33		
		Pima Rd & Chaparral Rd.....	21:10			19th Ave & McDowell Rd.....	23:44		
Deadhead		Granite Reef Rd & Indian Sch	21:14			Central Ave & McDowell Rd.....	23:50		
Granite Reef Rd & Indian Sch	16:28					24th St & McDowell Rd.....	24:00		
Pima Rd & Chaparral Rd.....	16:32					44th St & McDowell Rd.....	24:09		
						52nd St & McDowell Rd.....	24:12		
Deadhead									
Pima Rd & Chaparral Rd.....	16:47					Pull In			
Granite Reef Rd & Indian Sch	16:51					52nd St & McDowell Rd.....	24:12		
						West Transit Facility.....	24:45		
41 / West / 724 / 20161824									
Granite Reef Rd & Indian Sch	16:51								
Scottsdale Rd & Indian School	16:57								
56th St & Indian School Rd.....	17:05								
44th St & Indian School Rd.....	17:11								
32nd St & Indian School Rd.....	17:18								
24th St & Indian School Rd.....	17:25								
Central Ave & Indian School Rd.	17:40								
Central Ave & Indian School Rd.	17:44								
19th Ave & Indian School Rd.....	17:53								
43rd Ave & Indian School Rd.....	18:10								
59th Ave & Indian School Rd.....	18:21								
83rd Ave & Indian School Rd.....	18:34								
107th Ave & Indian School Rd.	18:47								

Phoenix West

Effective: 01/22/2024

2165
Weekday

Duty Type	Block	Report Time	Start Place	Start Time	End Time	End Place	Clear Time	Paid Time	Seat Time
ST	CAR 2042	14:16	WEST 51HD	14:21 14:35	14:35 23:05	51HD WEST	23:05	8h49	7h16

Sign-on	14:16	Deadhead	Deadhead
Travel by	CAR	59th Ave & Buckeye Rd..... 17:31	59th Ave & Buckeye Rd..... 20:27
Car Pull		51st Ave & Hadley St..... 17:35	51st Ave & Hadley St..... 20:31
West Transit Facility..... 14:21		Deadhead	Deadhead
51st Ave & Hadley St..... 14:35		51st Ave & Hadley St..... 17:46	51st Ave & Hadley St..... 20:53
		59th Ave & Buckeye Rd..... 17:50	59th Ave & Buckeye Rd..... 20:57
Block	2042	59 / North / 830 / 20161512	59 / North / 830 / 20161525
Deadhead		59th Ave & Buckeye Rd..... 17:50	59th Ave & Buckeye Rd..... 20:57
51st Ave & Hadley St..... 14:45		59th Ave & Van Buren St..... 17:52	59th Ave & Van Buren St..... 20:59
59th Ave & Buckeye Rd..... 14:49		59th Ave & Thomas Rd..... 18:03	59th Ave & Thomas Rd..... 21:06
		59th Ave & Camelback Rd..... 18:13	59th Ave & Camelback Rd..... 21:13
		59th Ave & Glendale Ave..... 18:23	59th Ave & Glendale Ave..... 21:21
59 / North / 830 / 20161497		59th Ave & Olive Ave..... 18:33	59th Ave & Olive Ave..... 21:28
59th Ave & Buckeye Rd..... 14:49		59th Ave & Thunderbird Rd..... 18:44	59th Ave & Thunderbird Rd..... 21:38
59th Ave & Van Buren St..... 14:51		59th Ave & Bell Rd..... 18:53	59th Ave & Bell Rd..... 21:45
59th Ave & Thomas Rd..... 15:03		59th Ave & Beardsley Rd..... 19:01	59th Ave & Beardsley Rd..... 21:52
59th Ave & Camelback Rd..... 15:13			
59th Ave & Glendale Ave..... 15:24		59 / South / 220 / 20161455	Deadhead
59th Ave & Olive Ave..... 15:34		59th Ave & Beardsley Rd..... 19:22	59th Ave & Beardsley Rd..... 21:52
59th Ave & Thunderbird Rd..... 15:46		59th Ave & Bell Rd..... 19:28	59th Ave & Camelback Rd..... 22:22
59th Ave & Bell Rd..... 15:55		59th Ave & Thunderbird Rd..... 19:34	
59th Ave & Beardsley Rd..... 16:05		59th Ave & Olive Ave..... 19:47	59 / South / 220 / 20161544
		59th Ave & Glendale Ave..... 19:57	59th Ave & Camelback Rd..... 22:36
59 / South / 220 / 20161448		59th Ave & Camelback Rd..... 20:06	59th Ave & Thomas Rd..... 22:43
59th Ave & Beardsley Rd..... 16:15		59th Ave & Thomas Rd..... 20:13	59th Ave & Van Buren St..... 22:50
59th Ave & Bell Rd..... 16:22		59th Ave & Van Buren St..... 20:24	59th Ave & Buckeye Rd..... 22:53
59th Ave & Thunderbird Rd..... 16:29		59th Ave & Buckeye Rd..... 20:27	
59th Ave & Olive Ave..... 16:42			Pull In
59th Ave & Glendale Ave..... 16:54			59th Ave & Buckeye Rd..... 22:53
59th Ave & Camelback Rd..... 17:06			West Transit Facility..... 23:05
59th Ave & Thomas Rd..... 17:17			
59th Ave & Van Buren St..... 17:28			
59th Ave & Buckeye Rd..... 17:31			

Phoenix West

Effective: 01/22/2024

2166

Weekday

Duty Type	Block	Report Time	Start Place	Start Time	End Time	End Place	Clear Time	Paid Time	Seat Time
ST	CAR 2065	14:21	WEST 75BU	14:26 14:36	14:36 24:02	75BU WEST	24:02	9h41	7h50

Sign-on	14:21	13 / West / 120 / 20161290				13 / West / 120 / 20161278			
		Sky Harbor West.....	17:43	Sky Harbor West.....	21:43				
Travel by	CAR	16th St & Buckeye Rd.....	17:53	16th St & Buckeye Rd.....	21:51				
		Central Ave & Buckeye Rd.....	18:00	Central Ave & Buckeye Rd.....	21:55				
Car Pull		19th Ave & Buckeye Rd.....	18:07	19th Ave & Buckeye Rd.....	22:01				
West Transit Facility.....	14:26	43rd Ave & Buckeye Rd.....	18:20	43rd Ave & Buckeye Rd.....	22:10				
75th Ave & Buckeye Rd.....	14:36	59th Ave & Buckeye Rd.....	18:27	59th Ave & Buckeye Rd.....	22:15				
		75th Ave & Buckeye Rd.....	18:35	75th Ave & Buckeye Rd.....	22:22				
Block	2065	Deadhead			Deadhead				
		13 / East / 36 / 20161673		13 / East / 36 / 20161678		13 / East / 36 / 20161689			
		75th Ave & Buckeye Rd.....	14:52	75th Ave & Buckeye Rd.....	18:35	75th Ave & Buckeye Rd.....	22:22		
		59th Ave & Buckeye Rd.....	14:57	59th Ave & Buckeye Rd.....	18:39	59th Ave & Buckeye Rd.....	22:26		
		43rd Ave & Buckeye Rd.....	15:03						
		19th Ave & Buckeye Rd.....	15:14	75th Ave & Buckeye Rd.....	18:55	75th Ave & Buckeye Rd.....	22:31		
		Central Ave & Buckeye Rd.....	15:21	59th Ave & Buckeye Rd.....	19:00	59th Ave & Buckeye Rd.....	22:35		
		16th St & Buckeye Rd.....	15:28	43rd Ave & Buckeye Rd.....	19:05	43rd Ave & Buckeye Rd.....	22:40		
		Sky Harbor West.....	15:37	19th Ave & Buckeye Rd.....	19:15	19th Ave & Buckeye Rd.....	22:49		
				Central Ave & Buckeye Rd.....	19:22	Central Ave & Buckeye Rd.....	22:54		
		13 / West / 120 / 20161297		16th St & Buckeye Rd.....	19:29	16th St & Buckeye Rd.....	22:59		
		Sky Harbor West.....	15:43	Sky Harbor West.....	19:37	Sky Harbor West.....	23:07		
		16th St & Buckeye Rd.....	15:53						
		Central Ave & Buckeye Rd.....	16:00	13 / West / 120 / 20161287		13 / West / 120 / 20161267			
		19th Ave & Buckeye Rd.....	16:07	Sky Harbor West.....	19:43	Sky Harbor West.....	23:13		
		43rd Ave & Buckeye Rd.....	16:20	16th St & Buckeye Rd.....	19:51	16th St & Buckeye Rd.....	23:21		
		59th Ave & Buckeye Rd.....	16:27	Central Ave & Buckeye Rd.....	19:57	Central Ave & Buckeye Rd.....	23:25		
		75th Ave & Buckeye Rd.....	16:37	19th Ave & Buckeye Rd.....	20:03	19th Ave & Buckeye Rd.....	23:31		
				43rd Ave & Buckeye Rd.....	20:14	43rd Ave & Buckeye Rd.....	23:40		
		Deadhead		59th Ave & Buckeye Rd.....	20:21	59th Ave & Buckeye Rd.....	23:45		
		75th Ave & Buckeye Rd.....	16:37	75th Ave & Buckeye Rd.....	20:28	75th Ave & Buckeye Rd.....	23:52		
		75th Ave & Buckeye Rd.....	16:41						
				Deadhead		Pull In			
		13 / East / 36 / 20161676		75th Ave & Buckeye Rd.....	20:28	75th Ave & Buckeye Rd.....	23:52		
		75th Ave & Buckeye Rd.....	16:52	75th Ave & Buckeye Rd.....	20:32	West Transit Facility.....	24:02		
		59th Ave & Buckeye Rd.....	16:57						
		43rd Ave & Buckeye Rd.....	17:03	13 / East / 36 / 20161684					
		19th Ave & Buckeye Rd.....	17:14	75th Ave & Buckeye Rd.....	21:00				
		Central Ave & Buckeye Rd.....	17:21	59th Ave & Buckeye Rd.....	21:04				
		16th St & Buckeye Rd.....	17:28	43rd Ave & Buckeye Rd.....	21:09				
		Sky Harbor West.....	17:37	19th Ave & Buckeye Rd.....	21:18				
				Central Ave & Buckeye Rd.....	21:24				
				16th St & Buckeye Rd.....	21:29				
				Sky Harbor West.....	21:37				

Phoenix West

Effective: 01/22/2024

2167

Weekday

Duty Type	Block	Report Time	Start Place	Start Time	End Time	End Place	Clear Time	Paid Time	Seat Time
ST	CAR 2119	14:24	WEST 83MC	14:29 14:41	14:41 23:24	83MC WEST	23:24	9h00	7h25

Sign-on	14:24	29 / West / 35 / 20161402	Deadhead
Travel by	CAR	Pima Park.....	Granite Reef Rd & Indian Sch 21:10
Car Pull		Scottsdale Rd & Thomas Rd.....	Pima Rd & Chaparral Rd..... 21:14
West Transit Facility.....	14:29	56th St & Thomas Rd.....	-----
83rd Ave & McDowell Rd.....	14:41	44th St & Thomas Rd.....	Deadhead
Block	2119	24th St & Thomas Rd.....	Pima Rd & Chaparral Rd..... 21:42
Deadhead		Central Ave & Thomas Rd.....	Granite Reef Rd & Indian Sch 21:46
83rd Ave & McDowell Rd.....	14:41	19th Ave & Thomas Rd.....	-----
93rd Ave & Thomas Rd.....	14:47	35th Ave & Thomas Rd.....	41 / West / 724 / 20161808
		51st Ave & Thomas Rd.....	Granite Reef Rd & Indian Sch 21:46
		67th Ave & Thomas Rd.....	Scottsdale Rd & Indian School 21:50
		Desert Sky TC.....	56th St & Indian School Rd..... 21:56
			44th St & Indian School Rd..... 22:00
		Deadhead	32nd St & Indian School Rd..... 22:06
		Desert Sky TC.....	24th St & Indian School Rd..... 22:10
		107th Ave & Indian School Rd. 19:18	Central Ave & Indian School Rd. 22:20
			Central Ave & Indian School Rd. 22:24
		41 / East / 172 / 20161935	19th Ave & Indian School Rd..... 22:29
		107th Ave & Indian School Rd. 19:40	43rd Ave & Indian School Rd..... 22:42
		83rd Ave & Indian School Rd..... 19:49	59th Ave & Indian School Rd..... 22:48
		59th Ave & Indian School Rd..... 20:00	83rd Ave & Indian School Rd..... 22:58
		43rd Ave & Indian School Rd..... 20:09	107th Ave & Indian School Rd. 23:09
		19th Ave & Indian School Rd..... 20:23	-----
		Central Ave & Indian School Rd. 20:30	Pull In
		Central Ave & Indian School Rd. 20:34	107th Ave & Indian School Rd. 23:09
		24th St & Indian School Rd..... 20:44	West Transit Facility..... 23:24
		32nd St & Indian School Rd..... 20:47	-----
		44th St & Indian School Rd..... 20:52	
		56th St & Indian School Rd..... 20:56	
		Scottsdale Rd & Indian School 21:02	
		Granite Reef Rd & Indian Sch 21:10	

Phoenix West

Effective: 01/22/2024

2168

Weekday

Duty Type	Block	Report Time	Start Place	Start Time	End Time	End Place	Clear Time	Paid Time	Seat Time
ST	CAR	14:25	WEST	14:30	14:45	51VB	24:13	9h48	7h47
	2037		51VB	14:45	24:13	WEST			

Sign-on	14:25	51 / South / 28 / 20161048	51 / South / 27 / 20161080
		ASU West Campus.....	ASU West Campus.....
Travel by	CAR	51st Ave & Olive Ave.....	51st Ave & Olive Ave.....
		51st Ave & Glendale Ave.....	51st Ave & Glendale Ave.....
Car Pull		51st Ave & Camelback Rd.....	51st Ave & Camelback Rd.....
West Transit Facility.....	14:30	51st Ave & Thomas Rd.....	51st Ave & Thomas Rd.....
51st Ave & Van Buren St.....	14:45	51st Ave & Van Buren St.....	51st Ave & Van Buren St.....
		51st Ave & Lower Buckeye Rd...	51st Ave & Lower Buckeye Rd...
Block	2037	51st Ave & Baseline Rd.....	51st Ave & Baseline Rd.....
		Vee Quiva Casino.....
		Komatke Health Center.....	Deadhead
51 / South / 28 / 20161014		51st Ave & Pecos Rd.....	51st Ave & Baseline Rd.....
51st Ave & Van Buren St.....	14:45	51st Ave & Baseline Rd.....
51st Ave & Lower Buckeye Rd...	14:53	51 / North / 206 / 20161335
51st Ave & Baseline Rd.....	15:02	51st Ave & Pecos Rd.....	51 / North / 206 / 20161341
Vee Quiva Casino.....	15:16	Vee Quiva Casino.....	51st Ave & Baseline Rd.....
Komatke Health Center.....	15:31	51st Ave & Baseline Rd.....	51st Ave & Lower Buckeye Rd...
51st Ave & Pecos Rd.....	15:36	51st Ave & Lower Buckeye Rd...	51st Ave & Van Buren St.....
		51st Ave & Van Buren St.....	51st Ave & Thomas Rd.....
51 / North / 206 / 20161328		51st Ave & Thomas Rd.....	51st Ave & Camelback Rd.....
51st Ave & Pecos Rd.....	15:55	51st Ave & Camelback Rd.....	51st Ave & Glendale Ave.....
Vee Quiva Casino.....	16:05	51st Ave & Glendale Ave.....	51st Ave & Olive Ave.....
51st Ave & Baseline Rd.....	16:17	51st Ave & Olive Ave.....	ASU West Campus.....
51st Ave & Lower Buckeye Rd...	16:25	ASU West Campus.....
51st Ave & Van Buren St.....	16:34	Pull In
51st Ave & Thomas Rd.....	16:45		ASU West Campus.....
51st Ave & Camelback Rd.....	16:55		West Transit Facility.....
51st Ave & Glendale Ave.....	17:03		
51st Ave & Olive Ave.....	17:10		
ASU West Campus.....	17:22		

Phoenix West

Effective: 01/22/2024

2169

Weekday

Duty Type	Block	Report Time	Start Place	Start Time	End Time	End Place	Clear Time	Paid Time	Seat Time
ST	CAR 2022	14:27	WEST 83VB	14:32 14:40	14:40 23:20	83VB WEST	23:20	8h53	6h48

Sign-on	14:27	83 / North / 183 / 20161045									
		83rd Ave & Van Buren St.....		17:09						20:32	
Travel by	CAR	Desert Sky TC.....		17:21						20:34	
		83rd Ave & Camelback Rd.....		17:31							
		83rd Ave & Glendale Ave.....		17:37							
Car Pull		83rd Ave & Peoria Ave.....		17:50						20:53	
West Transit Facility.....	14:32	83rd Ave & Thunderbird Rd.....		17:56						20:55	
83rd Ave & Van Buren St.....	14:40	Arrowhead Mall North.....		18:08							
Block	2022										
		83 / South / 155 / 20161803									
		Arrowhead Mall North.....		18:08						20:55	
		Arrowhead Mall Layover.....		18:10							
		83rd Ave & Thunderbird Rd.....		21:05							
		83rd Ave & Peoria Ave.....		21:11							
		83rd Ave & Glendale Ave.....		21:22							
		83rd Ave & Camelback Rd.....		21:28							
		Desert Sky TC.....		21:36							
		83rd Ave & Van Buren St.....		21:45							
		83 / South / 155 / 20161795									
		Arrowhead Mall North.....		18:22							
		83rd Ave & Thunderbird Rd.....		18:34						21:45	
		83rd Ave & Peoria Ave.....		18:40						21:49	
		83rd Ave & Glendale Ave.....		18:51							
		83rd Ave & Camelback Rd.....		18:57							
		Desert Sky TC.....		19:06							
		83rd Ave & Van Buren St.....		19:15							
		83 / North / 153 / 20161085									
		83rd Ave & Van Buren St.....		22:11							
		Desert Sky TC.....		22:21							
		83rd Ave & Camelback Rd.....		22:29							
		83 / South / 155 / 20161780									
		Arrowhead Mall North.....		15:50							
		83rd Ave & Thunderbird Rd.....		16:02							
		83rd Ave & Peoria Ave.....		16:08							
		83rd Ave & Glendale Ave.....		16:21							
		83rd Ave & Camelback Rd.....		16:27							
		Desert Sky TC.....		16:36							
		83rd Ave & Van Buren St.....		16:47							
		83 / North / 183 / 20161056									
		83rd Ave & Van Buren St.....		19:40							
		Desert Sky TC.....		19:51							
		83rd Ave & Camelback Rd.....		19:59							
		83rd Ave & Glendale Ave.....		20:05							
		83rd Ave & Peoria Ave.....		20:16							
		83rd Ave & Thunderbird Rd.....		20:22							
		Arrowhead Mall North.....		20:32							
		83 / South / 155 / 20160951									
		83rd Ave & Camelback Rd.....		22:58							
		Desert Sky TC.....		23:06							
		83rd Ave & Van Buren St.....		23:15							
		Pull In									
		83rd Ave & Van Buren St.....		23:15							
		West Transit Facility.....		23:20							

Phoenix West

Effective: 01/22/2024

2170
Weekday

Duty Type	Block	Report Time	Start Place	Start Time	End Time	End Place	Clear Time	Paid Time	Seat Time
ST	2161	14:30	WEST	14:35	21:55	WEST	21:55	7h25	6h04

Sign-on	14:30	Deadhead				75 / South / 149 / 20161722			
		67th Ave & Union Hills Dr.....		17:03		75th Ave & Camelback Rd.....		19:37	
Block	2161	67th Ave & Union Hills Dr.....		17:08		Desert Sky TC.....		19:47	
						75th Ave & Van Buren St.....		19:58	
Pull Out		67 / South / 254 / 20161627				75th Ave & Lower Buckeye Rd		20:02	
West Transit Facility.....	14:50	67th Ave & Union Hills Dr.....		17:20					
75th Ave & Camelback Rd.....	15:05	67th Ave & Thunderbird Rd.....		17:29		Deadhead			
		67th Ave & Olive Ave.....		17:38		75th Ave & Lower Buckeye Rd		20:02	
75 / South / 149 / 20161715		67th Ave & Glendale Ave.....		17:46		Sierra Linda HS-North.....		20:07	
75th Ave & Camelback Rd.....	15:05	67th Ave & Camelback Rd.....		17:56					
Desert Sky TC.....	15:17	67th Ave & Thomas Rd.....		18:06		67 / North / 108 / 20161152			
75th Ave & Van Buren St.....	15:33	67th Ave & Van Buren St.....		18:18		Sierra Linda HS-North.....		20:29	
75th Ave & Lower Buckeye Rd	15:41	Sierra Linda HS-South.....		18:27		67th Ave & Van Buren St.....		20:37	
						67th Ave & Thomas Rd.....		20:46	
Deadhead		Deadhead				67th Ave & Camelback Rd.....		20:54	
75th Ave & Lower Buckeye Rd	15:41	Sierra Linda HS-South.....		18:27		67th Ave & Glendale Ave.....		21:03	
Sierra Linda HS-North.....	15:46	75th Ave & Lower Buckeye Rd		18:32		67th Ave & Olive Ave.....		21:10	
						67th Ave & Thunderbird Rd.....		21:18	
67 / North / 108 / 20161182		75 / North / 147 / 20161783				67th Ave & Union Hills Dr.....		21:27	
Sierra Linda HS-North.....	15:53	75th Ave & Lower Buckeye Rd		18:44					
67th Ave & Van Buren St.....	16:04	75th Ave & Van Buren St.....		18:49		Pull In			
67th Ave & Thomas Rd.....	16:15	Desert Sky TC.....		19:07		67th Ave & Union Hills Dr.....		21:27	
67th Ave & Camelback Rd.....	16:24	75th Ave & Camelback Rd.....		19:17		West Transit Facility.....		21:55	
67th Ave & Glendale Ave.....	16:37								
67th Ave & Olive Ave.....	16:44	Deadhead							
67th Ave & Thunderbird Rd.....	16:53	75th Ave & Camelback Rd.....		19:17					
67th Ave & Union Hills Dr.....	17:03	75th Ave & Camelback Rd.....		19:29					

Phoenix West

Effective: 01/22/2024

2171
Weekday

Duty Type	Block	Report Time	Start Place	Start Time	End Time	End Place	Clear Time	Paid Time	Seat Time
ST	CAR 2021	14:38	WEST DSTC	14:43 14:57	14:57 24:38	DSTC WEST	24:38	10h00	8h34

Sign-on	14:38	Deadhead	Deadhead
Travel by	CAR	93rd Ave & Thomas Rd..... 18:58	93rd Ave & Thomas Rd..... 22:41
Car Pull		Deadhead	Deadhead
West Transit Facility..... 14:43		94th Av Layover..... 19:23	94th Av Layover..... 23:00
Desert Sky TC..... 14:57		93rd Ave & Thomas Rd..... 19:24	93rd Ave & Thomas Rd..... 23:01
Block	2021	29 / East / 31 / 20161580	29 / East / 257 / 20161605
Deadhead		93rd Ave & Thomas Rd..... 19:24	93rd Ave & Thomas Rd..... 23:01
Desert Sky TC..... 14:57		Thomas Rd at Desert Sky TC.... 19:30	Thomas Rd at Desert Sky TC.... 23:06
Thomas Rd at Desert Sky TC.. 14:59		67th Ave & Thomas Rd..... 19:37	67th Ave & Thomas Rd..... 23:11
		51st Ave & Thomas Rd..... 19:45	51st Ave & Thomas Rd..... 23:18
		35th Ave & Thomas Rd..... 19:51	35th Ave & Thomas Rd..... 23:24
		19th Ave & Thomas Rd..... 20:00	19th Ave & Thomas Rd..... 23:32
29 / East / 31 / 20161113		Central Ave & Thomas Rd..... 20:10	Central Ave & Thomas Rd..... 23:40
Thomas Rd at Desert Sky TC.. 14:59		24th St & Thomas Rd..... 20:21	24th St & Thomas Rd..... 23:49
67th Ave & Thomas Rd..... 15:08		44th St & Thomas Rd..... 20:35	44th St & Thomas Rd..... 23:58
51st Ave & Thomas Rd..... 15:17		56th St & Thomas Rd..... 20:41	56th St & Thomas Rd..... 24:03
35th Ave & Thomas Rd..... 15:25		Scottsdale Rd & Thomas Rd.... 20:46	
19th Ave & Thomas Rd..... 15:36		Pima Park..... 20:54	
Central Ave & Thomas Rd..... 15:48			Pull In
24th St & Thomas Rd..... 16:01			56th St & Thomas Rd..... 24:03
44th St & Thomas Rd..... 16:19		29 / West / 199 / 20161385	West Transit Facility..... 24:38
56th St & Thomas Rd..... 16:26		Pima Park..... 21:13	
Scottsdale Rd & Thomas Rd.... 16:33		Scottsdale Rd & Thomas Rd.... 21:17	
Pima Park..... 16:42		56th St & Thomas Rd..... 21:24	
		44th St & Thomas Rd..... 21:31	
29 / West / 199 / 20161403		24th St & Thomas Rd..... 21:43	
Pima Park..... 17:02		Central Ave & Thomas Rd..... 21:55	
Scottsdale Rd & Thomas Rd.... 17:08		19th Ave & Thomas Rd..... 22:04	
56th St & Thomas Rd..... 17:15		35th Ave & Thomas Rd..... 22:12	
44th St & Thomas Rd..... 17:24		51st Ave & Thomas Rd..... 22:19	
24th St & Thomas Rd..... 17:37		67th Ave & Thomas Rd..... 22:25	
Central Ave & Thomas Rd..... 17:52		Desert Sky TC..... 22:32	
19th Ave & Thomas Rd..... 18:03		Desert Sky TC..... 22:35	
35th Ave & Thomas Rd..... 18:17		93rd Ave & Thomas Rd..... 22:41	
51st Ave & Thomas Rd..... 18:30			
67th Ave & Thomas Rd..... 18:38			
Desert Sky TC..... 18:48			
Desert Sky TC..... 18:51			
93rd Ave & Thomas Rd..... 18:58			

Phoenix West

Effective: 01/22/2024

2172

Weekday

Duty Type	Block	Report Time	Start Place	Start Time	End Time	End Place	Clear Time	Paid Time	Seat Time
ST	CAR 2071	14:38	WEST 83VB	14:43 14:51	14:51 21:55	83VB WEST	21:55	7h17	5h55

Sign-on	14:38	3 / West / 546 / 20162148			Deadhead				
		Phoenix Zoo.....		16:39	Galvin Pkwy & Van Buren St...		20:35		
Travel by	CAR	Galvin Pkwy & Van Buren St.....		16:42	Galvin Pkwy & Van Buren St...		20:41		
		44th St & Van Buren St.....		16:50	-----				
Car Pull		24th St & Van Buren St.....		17:03	3 / West / 104 / 20162160				
West Transit Facility.....	14:43	2nd Ave & Van Buren St.....		17:18	Galvin Pkwy & Van Buren St...		20:56		
83rd Ave & Van Buren St.....	14:51	19th Ave & Van Buren St.....		17:27	44th St & Van Buren St.....		21:03		
		35th Ave & Van Buren St.....		17:37	24th St & Van Buren St.....		21:11		
Block	2071	51st Ave & Van Buren St.....		17:47	2nd Ave & Van Buren St.....		21:18		
		67th Ave & Van Buren St.....		17:56	19th Ave & Van Buren St.....		21:24		
3 / East / 86 / 20162076		83rd Ave & Van Buren St.....		18:04	35th Ave & Van Buren St.....		21:31		
83rd Ave & Van Buren St.....	14:51	99th Ave & Van Buren St.....		18:12	51st Ave & Van Buren St.....		21:38		
67th Ave & Van Buren St.....	14:56	Avondale Civic Center.....		18:20	67th Ave & Van Buren St.....		21:44		
51st Ave & Van Buren St.....	15:09	4th St & La Canada Blvd.....		18:31	83rd Ave & Van Buren St.....		21:50		
35th Ave & Van Buren St.....	15:20	-----			-----				
19th Ave & Van Buren St.....	15:31	Deadhead			Pull In				
Central Ave & Van Buren St.....	15:40	4th St & La Canada Blvd.....		18:31	83rd Ave & Van Buren St.....		21:50		
24th St & Van Buren St.....	15:54	83rd Ave & Van Buren St.....		18:53	West Transit Facility.....		21:55		
44th St & Van Buren St.....	16:03	-----			-----				
Galvin Pkwy & Van Buren St.....	16:10	3 / East / 181 / 20162093							
Phoenix Zoo.....	16:14	83rd Ave & Van Buren St.....		19:30					
-----					67th Ave & Van Buren St.....		19:35		
		51st Ave & Van Buren St.....		19:44	35th Ave & Van Buren St.....		19:53		
		35th Ave & Van Buren St.....		19:53	19th Ave & Van Buren St.....		20:02		
		19th Ave & Van Buren St.....		20:02	Central Ave & Van Buren St.....		20:10		
		Central Ave & Van Buren St.....		20:10	24th St & Van Buren St.....		20:20		
		24th St & Van Buren St.....		20:20	44th St & Van Buren St.....		20:28		
		44th St & Van Buren St.....		20:28	Galvin Pkwy & Van Buren St...		20:35		
		Galvin Pkwy & Van Buren St...		20:35	-----				

Phoenix West

Effective: 01/22/2024

2173

Weekday

Duty Type	Block	Report Time	Start Place	Start Time	End Time	End Place	Clear Time	Paid Time	Seat Time
ST	2162	14:47	WEST	14:52	23:00	WEST	23:00	8h13	6h45

Sign-on	14:47	Deadhead			Deadhead				
		59th Ave & Buckeye Rd.....		18:01	59th Ave & Buckeye Rd.....			20:56	
Block	2162	51st Ave & Hadley St.....		18:05	51st Ave & Hadley St.....			21:00	
Pull Out		Deadhead			Deadhead				
West Transit Facility.....	15:07	51st Ave & Hadley St.....		18:16	51st Ave & Hadley St.....			21:23	
59th Ave & Buckeye Rd.....	15:19	59th Ave & Buckeye Rd.....		18:20	59th Ave & Buckeye Rd.....			21:27	
59 / North / 830 / 20161498		59 / North / 830 / 20161514			59 / North / 830 / 20161526				
59th Ave & Buckeye Rd.....	15:19	59th Ave & Buckeye Rd.....		18:20	59th Ave & Buckeye Rd.....			21:27	
59th Ave & Van Buren St.....	15:21	59th Ave & Van Buren St.....		18:22	59th Ave & Van Buren St.....			21:29	
59th Ave & Thomas Rd.....	15:33	59th Ave & Thomas Rd.....		18:33	59th Ave & Thomas Rd.....			21:36	
59th Ave & Camelback Rd.....	15:43	59th Ave & Camelback Rd.....		18:43	59th Ave & Camelback Rd.....			21:43	
59th Ave & Glendale Ave.....	15:54	59th Ave & Glendale Ave.....		18:53	59th Ave & Glendale Ave.....			21:51	
59th Ave & Olive Ave.....	16:04	59th Ave & Olive Ave.....		19:01	59th Ave & Olive Ave.....			21:58	
59th Ave & Thunderbird Rd.....	16:16	59th Ave & Thunderbird Rd.....		19:12	59th Ave & Thunderbird Rd.....			22:08	
59th Ave & Bell Rd.....	16:25	59th Ave & Bell Rd.....		19:20	59th Ave & Bell Rd.....			22:15	
59th Ave & Beardsley Rd.....	16:35	59th Ave & Beardsley Rd.....		19:28	59th Ave & Beardsley Rd.....			22:22	
59 / South / 220 / 20161452		59 / South / 220 / 20161459			Pull In				
59th Ave & Beardsley Rd.....	16:45	59th Ave & Beardsley Rd.....		19:52	59th Ave & Beardsley Rd.....			22:22	
59th Ave & Bell Rd.....	16:52	59th Ave & Bell Rd.....		19:58	West Transit Facility.....			23:00	
59th Ave & Thunderbird Rd.....	16:59	59th Ave & Thunderbird Rd.....		20:04					
59th Ave & Olive Ave.....	17:12	59th Ave & Olive Ave.....		20:17					
59th Ave & Glendale Ave.....	17:24	59th Ave & Glendale Ave.....		20:27					
59th Ave & Camelback Rd.....	17:36	59th Ave & Camelback Rd.....		20:36					
59th Ave & Thomas Rd.....	17:47	59th Ave & Thomas Rd.....		20:43					
59th Ave & Van Buren St.....	17:58	59th Ave & Van Buren St.....		20:53					
59th Ave & Buckeye Rd.....	18:01	59th Ave & Buckeye Rd.....		20:56					

Phoenix West

Effective: 01/22/2024

2174

Weekday

Duty Type	Block	Report Time	Start Place	Start Time	End Time	End Place	Clear Time	Paid Time	Seat Time
ST	CAR 2031	14:50	WEST 75BU	14:55 15:05	15:05 23:56	75BU WEST	23:56	9h06	7h19

Sign-on	14:50	13 / East / 36 / 20161677	Deadhead
Travel by	CAR	75th Ave & Buckeye Rd.....	17:22
Car Pull		59th Ave & Buckeye Rd.....	17:27
West Transit Facility.....	14:55	43rd Ave & Buckeye Rd.....	17:33
75th Ave & Buckeye Rd.....	15:05	19th Ave & Buckeye Rd.....	17:44
Block	2031	Central Ave & Buckeye Rd.....	17:51
		16th St & Buckeye Rd.....	17:58
Deadhead		Sky Harbor West.....	18:07
75th Ave & Buckeye Rd.....	15:05	13 / West / 120 / 20161292	
75th Ave & Buckeye Rd.....	15:09	Sky Harbor West.....	18:13
		16th St & Buckeye Rd.....	18:23
		Central Ave & Buckeye Rd.....	18:30
		19th Ave & Buckeye Rd.....	18:36
		43rd Ave & Buckeye Rd.....	18:47
		59th Ave & Buckeye Rd.....	18:54
		75th Ave & Buckeye Rd.....	19:01
		Deadhead	
		75th Ave & Buckeye Rd.....	19:01
		75th Ave & Buckeye Rd.....	19:05
		13 / East / 36 / 20161672	
		75th Ave & Buckeye Rd.....	15:22
		59th Ave & Buckeye Rd.....	15:27
		43rd Ave & Buckeye Rd.....	15:33
		19th Ave & Buckeye Rd.....	15:44
		Central Ave & Buckeye Rd.....	15:51
		16th St & Buckeye Rd.....	15:58
		Sky Harbor West.....	16:07
		13 / West / 120 / 20161296	
		Sky Harbor West.....	16:13
		16th St & Buckeye Rd.....	16:23
		Central Ave & Buckeye Rd.....	16:30
		19th Ave & Buckeye Rd.....	16:37
		43rd Ave & Buckeye Rd.....	16:50
		59th Ave & Buckeye Rd.....	16:57
		75th Ave & Buckeye Rd.....	17:07
		Deadhead	
		75th Ave & Buckeye Rd.....	17:07
		75th Ave & Buckeye Rd.....	17:11
		13 / East / 36 / 20161682	
		75th Ave & Buckeye Rd.....	19:26
		59th Ave & Buckeye Rd.....	19:30
		43rd Ave & Buckeye Rd.....	19:35
		19th Ave & Buckeye Rd.....	19:45
		Central Ave & Buckeye Rd.....	19:52
		16th St & Buckeye Rd.....	19:59
		Sky Harbor West.....	20:07
		13 / West / 120 / 20161284	
		Sky Harbor West.....	20:13
		16th St & Buckeye Rd.....	20:21
		Central Ave & Buckeye Rd.....	20:27
		19th Ave & Buckeye Rd.....	20:33
		43rd Ave & Buckeye Rd.....	20:44
		59th Ave & Buckeye Rd.....	20:51
		75th Ave & Buckeye Rd.....	20:58
		Deadhead	
		75th Ave & Buckeye Rd.....	22:52
		75th Ave & Buckeye Rd.....	22:56
		13 / East / 36 / 20161690	
		75th Ave & Buckeye Rd.....	23:01
		59th Ave & Buckeye Rd.....	23:05
		43rd Ave & Buckeye Rd.....	23:10
		19th Ave & Buckeye Rd.....	23:19
		Central Ave & Buckeye Rd.....	23:24
		16th St & Buckeye Rd.....	23:29
		Sky Harbor West.....	23:37
		Pull In	
		Sky Harbor West.....	23:37
		West Transit Facility.....	23:56

Phoenix West

Effective: 01/22/2024

2175

Weekday

Duty Type	Block	Report Time	Start Place	Start Time	End Time	End Place	Clear Time	Paid Time	Seat Time
ST	CAR 2055	14:55	WEST BA51	15:00 15:36	15:36 23:43	BA51 WEST	23:43	8h48	7h04

Sign-on	14:55	51 / South / 27 / 20161047	51 / South / 28 / 20161058
		ASU West Campus.....	ASU West Campus.....
Travel by	CAR	51st Ave & Olive Ave.....	51st Ave & Olive Ave.....
		51st Ave & Glendale Ave.....	51st Ave & Glendale Ave.....
Car Pull		51st Ave & Camelback Rd.....	51st Ave & Camelback Rd.....
West Transit Facility.....	15:00	51st Ave & Thomas Rd.....	51st Ave & Thomas Rd.....
51st Ave & Baseline Rd.....	15:36	51st Ave & Van Buren St.....	51st Ave & Van Buren St.....
		51st Ave & Lower Buckeye Rd...	51st Ave & Lower Buckeye Rd...
Block	2055	51st Ave & Baseline Rd.....	51st Ave & Baseline Rd.....
		-----	Vee Quiva Casino.....
		51 / North / 206 / 20161327	51 / North / 206 / 20161340
		51st Ave & Baseline Rd.....	51st Ave & Pecos Rd.....
		51st Ave & Lower Buckeye Rd...	Vee Quiva Casino.....
		51st Ave & Van Buren St.....	51st Ave & Baseline Rd.....
		51st Ave & Thomas Rd.....	51st Ave & Lower Buckeye Rd...
		51st Ave & Camelback Rd.....	51st Ave & Van Buren St.....
		51st Ave & Glendale Ave.....	51st Ave & Thomas Rd.....
		51st Ave & Olive Ave.....	51st Ave & Camelback Rd.....
		ASU West Campus.....	51st Ave & Glendale Ave.....
		-----	51st Ave & Olive Ave.....
		51 / North / 206 / 20161332	ASU West Campus.....
		51st Ave & Baseline Rd.....	23:10
		51st Ave & Lower Buckeye Rd...	-----
		51st Ave & Van Buren St.....	Pull In
		51st Ave & Thomas Rd.....	ASU West Campus.....
		51st Ave & Camelback Rd.....	West Transit Facility.....
		51st Ave & Glendale Ave.....	23:43
		51st Ave & Olive Ave.....	-----
		ASU West Campus.....	

Phoenix West

Effective: 01/22/2024

2176

Weekday

Duty Type	Block	Report Time	Start Place	Start Time	End Time	End Place	Clear Time	Paid Time	Seat Time
ST	2163	14:57	WEST	15:02	23:24	WEST	23:24	8h27	7h01

Sign-on	14:57	Deadhead				29 / West / 199 / 20161383			
		93rd Ave & Thomas Rd.....		19:26		Pima Park.....		21:47	
Block	2163	94th Av Layover.....		19:27		Scottsdale Rd & Thomas Rd.....		21:51	
						56th St & Thomas Rd.....		21:58	
Pull Out		Deadhead				44th St & Thomas Rd.....		22:05	
West Transit Facility.....	15:17	94th Av Layover.....		19:54		24th St & Thomas Rd.....		22:14	
Thomas Rd at Desert Sky TC..	15:31	93rd Ave & Thomas Rd.....		19:55		Central Ave & Thomas Rd.....		22:25	
						19th Ave & Thomas Rd.....		22:34	
29 / East / 31 / 20161109		29 / East / 31 / 20161587				35th Ave & Thomas Rd.....		22:42	
Thomas Rd at Desert Sky TC..	15:31	93rd Ave & Thomas Rd.....		19:55		51st Ave & Thomas Rd.....		22:49	
67th Ave & Thomas Rd.....	15:40	Thomas Rd at Desert Sky TC....		20:00		67th Ave & Thomas Rd.....		22:55	
51st Ave & Thomas Rd.....	15:49	67th Ave & Thomas Rd.....		20:07		Desert Sky TC.....		23:02	
35th Ave & Thomas Rd.....	15:57	51st Ave & Thomas Rd.....		20:15		Desert Sky TC.....		23:05	
19th Ave & Thomas Rd.....	16:08	35th Ave & Thomas Rd.....		20:21		93rd Ave & Thomas Rd.....		23:11	
Central Ave & Thomas Rd.....	16:20	19th Ave & Thomas Rd.....		20:30					
24th St & Thomas Rd.....	16:33	Central Ave & Thomas Rd.....		20:40		Pull In			
44th St & Thomas Rd.....	16:51	24th St & Thomas Rd.....		20:51		93rd Ave & Thomas Rd.....		23:11	
56th St & Thomas Rd.....	16:59	44th St & Thomas Rd.....		21:05		West Transit Facility.....		23:24	
Scottsdale Rd & Thomas Rd.....	17:06	56th St & Thomas Rd.....		21:11					
Pima Park.....	17:16	Scottsdale Rd & Thomas Rd.....		21:16					
		Pima Park.....		21:24					
29 / West / 199 / 20161401									
Pima Park.....	17:32								
Scottsdale Rd & Thomas Rd.....	17:38								
56th St & Thomas Rd.....	17:45								
44th St & Thomas Rd.....	17:54								
24th St & Thomas Rd.....	18:07								
Central Ave & Thomas Rd.....	18:22								
19th Ave & Thomas Rd.....	18:33								
35th Ave & Thomas Rd.....	18:47								
51st Ave & Thomas Rd.....	19:00								
67th Ave & Thomas Rd.....	19:08								
Desert Sky TC.....	19:16								
Desert Sky TC.....	19:19								
93rd Ave & Thomas Rd.....	19:26								

Phoenix West

Effective: 01/22/2024

2177
Weekday

Duty Type	Block	Report Time	Start Place	Start Time	End Time	End Place	Clear Time	Paid Time	Seat Time
ST	CAR 2070	14:59	WEST DSTC	15:04 15:18	15:18 23:54	DSTC WEST	23:54	8h55	6h55

Sign-on	14:59	29 / West / 199 / 20161398	29 / East / 31 / 20161585
		Pima Park.....	18:02 93rd Ave & Thomas Rd.....
Travel by	CAR	Scottsdale Rd & Thomas Rd.....	18:08 Thomas Rd at Desert Sky TC....
		56th St & Thomas Rd.....	18:15 67th Ave & Thomas Rd.....
Car Pull		44th St & Thomas Rd.....	18:24 51st Ave & Thomas Rd.....
West Transit Facility.....	15:04	24th St & Thomas Rd.....	18:37 35th Ave & Thomas Rd.....
Desert Sky TC.....	15:18	Central Ave & Thomas Rd.....	18:52 19th Ave & Thomas Rd.....
		19th Ave & Thomas Rd.....	19:03 Central Ave & Thomas Rd.....
Block	2070	35th Ave & Thomas Rd.....	19:15 24th St & Thomas Rd.....
		51st Ave & Thomas Rd.....	19:23 44th St & Thomas Rd.....
Deadhead		67th Ave & Thomas Rd.....	19:30 56th St & Thomas Rd.....
Desert Sky TC.....	16:02	Desert Sky TC.....	19:37 Scottsdale Rd & Thomas Rd....
Thomas Rd at Desert Sky TC..	16:04	Desert Sky TC.....	19:40 Pima Park.....
		93rd Ave & Thomas Rd.....	19:46
29 / East / 31 / 20161107		Deadhead	Deadhead
Thomas Rd at Desert Sky TC..	16:04	93rd Ave & Thomas Rd.....	19:46 Pima Park.....
67th Ave & Thomas Rd.....	16:13	94th Av Layover.....	19:47 56th St & Thomas Rd.....
51st Ave & Thomas Rd.....	16:22		
35th Ave & Thomas Rd.....	16:30	Deadhead	29 / West / 199 / 20161416
19th Ave & Thomas Rd.....	16:41	94th Av Layover.....	20:24 56th St & Thomas Rd.....
Central Ave & Thomas Rd.....	16:52	93rd Ave & Thomas Rd.....	20:25 44th St & Thomas Rd.....
24th St & Thomas Rd.....	17:04		22:35 24th St & Thomas Rd.....
44th St & Thomas Rd.....	17:22		22:44 Central Ave & Thomas Rd.....
56th St & Thomas Rd.....	17:30		22:55 19th Ave & Thomas Rd.....
Scottsdale Rd & Thomas Rd.....	17:37		23:04 35th Ave & Thomas Rd.....
Pima Park.....	17:47		23:12 51st Ave & Thomas Rd.....
			23:19 67th Ave & Thomas Rd.....
			23:25 Desert Sky TC.....
			23:32 Desert Sky TC.....
			23:35 93rd Ave & Thomas Rd.....
			23:41
			Pull In
			93rd Ave & Thomas Rd.....
			23:41 West Transit Facility.....
			23:54

Phoenix West

Effective: 01/22/2024

2178
Weekday

Duty Type	Block	Report Time	Start Place	Start Time	End Time	End Place	Clear Time	Paid Time	Seat Time
ST	CAR 2062	15:05	WEST 43LB	15:10 15:30	15:30 23:32	43LB WEST	23:32	8h27	6h50

Sign-on	15:05	Deadhead			43 / North / 182 / 20161102
		43rd Ave & Lower Buckeye Rd	18:24	43rd Ave & Lower Buckeye Rd	21:21
Travel by	CAR	43rd Ave & Lower Buckeye Rd	18:30	43rd Ave & Van Buren St.....	21:27
				43rd Ave & Thomas Rd.....	21:34
Car Pull		43 / North / 182 / 20161099		43rd Ave & Camelback Rd.....	21:40
West Transit Facility.....	15:10	43rd Ave & Lower Buckeye Rd	18:46	43rd Ave & Glendale Ave.....	21:46
43rd Ave & Lower Buckeye Rd	15:30	43rd Ave & Van Buren St.....	18:52	43rd Ave & Dunlap Ave.....	21:52
		43rd Ave & Thomas Rd.....	19:02	43rd Ave & Thunderbird Rd.....	22:00
Block	2062	43rd Ave & Camelback Rd.....	19:10	43rd Ave & Union Hills Dr.....	22:07
		43rd Ave & Glendale Ave.....	19:17		
		43rd Ave & Dunlap Ave.....	19:24	Deadhead	
43 / North / 182 / 20161090		43rd Ave & Thunderbird Rd.....	19:32	43rd Ave & Union Hills Dr.....	22:07
43rd Ave & Lower Buckeye Rd	15:40	43rd Ave & Union Hills Dr.....	19:41	43rd Ave & Union Hills Dr.....	22:14
43rd Ave & Van Buren St.....	15:47				
43rd Ave & Thomas Rd.....	15:59				
43rd Ave & Camelback Rd.....	16:10	Deadhead		43 / South / 207 / 20161200	
43rd Ave & Glendale Ave.....	16:19	43rd Ave & Union Hills Dr.....	19:41	43rd Ave & Union Hills Dr.....	22:25
43rd Ave & Dunlap Ave.....	16:28	43rd Ave & Union Hills Dr.....	19:48	43rd Ave & Thunderbird Rd.....	22:32
43rd Ave & Thunderbird Rd.....	16:40			43rd Ave & Dunlap Ave.....	22:41
43rd Ave & Union Hills Dr.....	16:50	43 / South / 207 / 20161190		43rd Ave & Glendale Ave.....	22:48
		43rd Ave & Union Hills Dr.....	19:55	43rd Ave & Camelback Rd.....	22:55
Deadhead		43rd Ave & Thunderbird Rd.....	20:02	43rd Ave & Thomas Rd.....	23:03
43rd Ave & Union Hills Dr.....	16:50	43rd Ave & Dunlap Ave.....	20:11	43rd Ave & Van Buren St.....	23:10
43rd Ave & Union Hills Dr.....	16:57	43rd Ave & Glendale Ave.....	20:18	43rd Ave & Lower Buckeye Rd	23:17
		43rd Ave & Camelback Rd.....	20:25		
43 / South / 207 / 20161183		43rd Ave & Thomas Rd.....	20:33	Pull In	
43rd Ave & Union Hills Dr.....	17:18	43rd Ave & Van Buren St.....	20:41	43rd Ave & Lower Buckeye Rd	23:17
43rd Ave & Thunderbird Rd.....	17:26	43rd Ave & Lower Buckeye Rd	20:48	West Transit Facility.....	23:32
43rd Ave & Dunlap Ave.....	17:37				
43rd Ave & Glendale Ave.....	17:46	Deadhead			
43rd Ave & Camelback Rd.....	17:55	43rd Ave & Lower Buckeye Rd	20:48		
43rd Ave & Thomas Rd.....	18:05	43rd Ave & Lower Buckeye Rd	20:54		
43rd Ave & Van Buren St.....	18:16				
43rd Ave & Lower Buckeye Rd	18:24				

Phoenix West

Effective: 01/22/2024

2179

Weekday

Duty Type	Block	Report Time	Start Place	Start Time	End Time	End Place	Clear Time	Paid Time	Seat Time
ST	CAR 2059	15:17	WEST 51HD	15:22 15:36	15:36 23:35	51HD WEST	23:35	8h18	5h39

Sign-on	15:17	Deadhead				Deadhead			
		59th Ave & Buckeye Rd.....		18:57		59th Ave & Buckeye Rd.....		21:53	
Travel by	CAR	51st Ave & Hadley St.....		19:01		51st Ave & Hadley St.....		21:57	
Car Pull		Deadhead				Deadhead			
West Transit Facility.....	15:22	51st Ave & Hadley St.....		19:22		51st Ave & Hadley St.....		22:23	
51st Ave & Hadley St.....	15:36	59th Ave & Buckeye Rd.....		19:26		59th Ave & Buckeye Rd.....		22:27	
Block	2059	59 / North / 830 / 20161518				59 / North / 266 / 20161529			
		59th Ave & Buckeye Rd.....		19:26		59th Ave & Buckeye Rd.....		22:27	
Deadhead		59th Ave & Van Buren St.....		19:28		59th Ave & Van Buren St.....		22:29	
51st Ave & Hadley St.....	16:15	59th Ave & Thomas Rd.....		19:36		59th Ave & Thomas Rd.....		22:36	
59th Ave & Buckeye Rd.....	16:19	59th Ave & Camelback Rd.....		19:43		59th Ave & Camelback Rd.....		22:43	
		59th Ave & Glendale Ave.....		19:52					
59 / North / 830 / 20161505		59th Ave & Olive Ave.....		20:00		Deadhead			
59th Ave & Buckeye Rd.....	16:19	59th Ave & Thunderbird Rd.....		20:11		59th Ave & Camelback Rd.....		22:43	
59th Ave & Van Buren St.....	16:21	59th Ave & Bell Rd.....		20:19		59th Ave & Camelback Rd.....		22:47	
59th Ave & Thomas Rd.....	16:33	59th Ave & Beardsley Rd.....		20:27					
59th Ave & Camelback Rd.....	16:43					59 / South / 220 / 20161545			
59th Ave & Glendale Ave.....	16:54	59 / South / 220 / 20161460				59th Ave & Camelback Rd.....		23:06	
59th Ave & Olive Ave.....	17:04	59th Ave & Beardsley Rd.....		21:01		59th Ave & Thomas Rd.....		23:13	
59th Ave & Thunderbird Rd.....	17:16	59th Ave & Bell Rd.....		21:07		59th Ave & Van Buren St.....		23:20	
59th Ave & Bell Rd.....	17:25	59th Ave & Thunderbird Rd.....		21:12		59th Ave & Buckeye Rd.....		23:23	
59th Ave & Beardsley Rd.....	17:35	59th Ave & Olive Ave.....		21:22					
		59th Ave & Glendale Ave.....		21:29		Pull In			
59 / South / 220 / 20161454		59th Ave & Camelback Rd.....		21:36		59th Ave & Buckeye Rd.....		23:23	
59th Ave & Beardsley Rd.....	17:50	59th Ave & Thomas Rd.....		21:43		West Transit Facility.....		23:35	
59th Ave & Bell Rd.....	17:56	59th Ave & Van Buren St.....		21:50					
59th Ave & Thunderbird Rd.....	18:02	59th Ave & Buckeye Rd.....		21:53					
59th Ave & Olive Ave.....	18:15								
59th Ave & Glendale Ave.....	18:27								
59th Ave & Camelback Rd.....	18:36								
59th Ave & Thomas Rd.....	18:43								
59th Ave & Van Buren St.....	18:54								
59th Ave & Buckeye Rd.....	18:57								

Phoenix West

Effective: 01/22/2024

2180
Weekday

Duty Type	Block	Report Time	Start Place	Start Time	End Time	End Place	Clear Time	Paid Time	Seat Time
ST	CAR 2107	15:24	WEST 83MC	15:29 15:41	15:41 23:27	83MC WEST	23:27	8h03	6h49

Sign-on	15:24	Deadhead	41 / East / 172 / 20161933
Travel by	CAR	Pima Rd & McDowell Rd.....	18:48
Car Pull		Granite Reef Rd & Indian Sch	18:55
West Transit Facility.....	15:29	41 / West / 724 / 20161812	19th Ave & Indian School Rd..... 21:56
83rd Ave & McDowell Rd.....	15:41	Granite Reef Rd & Indian Sch	19th Ave & Indian School Rd..... 21:56
Block	2107	Scottsdale Rd & Indian School	Central Ave & Indian School Rd. 22:00
17 / West / 127 / 20161569		56th St & Indian School Rd.....	Central Ave & Indian School Rd. 22:04
83rd Ave & McDowell Rd.....	15:41	44th St & Indian School Rd.....	24th St & Indian School Rd..... 22:14
99th Ave & McDowell Rd.....	15:49	32nd St & Indian School Rd.....	32nd St & Indian School Rd..... 22:17
Litchfield Rd & McDowell Rd.....	16:04	24th St & Indian School Rd.....	44th St & Indian School Rd..... 22:21
Pebble Creek Pkwy & McDow	16:11	Central Ave & Indian School Rd.	56th St & Indian School Rd..... 22:25
Deadhead		Central Ave & Indian School Rd.	Scottsdale Rd & Indian School 22:31
Pebble Creek Pkwy & McDow	16:11	19th Ave & Indian School Rd.....	Granite Reef Rd & Indian Sch
Pebble Creek Pkwy & McDow	16:18	43rd Ave & Indian School Rd.....	22:37
17 / East / 132 / 20160964		59th Ave & Indian School Rd.....	Pull In
Pebble Creek Pkwy & McDow	16:43	83rd Ave & Indian School Rd.....	Granite Reef Rd & Indian Sch
Litchfield Rd & McDowell Rd.....	16:50	107th Ave & Indian School Rd.	22:37
99th Ave & McDowell Rd.....	17:05	107th Ave & Indian School Rd.	23:27
83rd Ave & McDowell Rd.....	17:13	Deadhead	
67th Ave & McDowell Rd.....	17:20	107th Ave & Indian School Rd.	20:44
43rd Ave & McDowell Rd.....	17:34	107th Ave & Indian School Rd.	20:50
19th Ave & McDowell Rd.....	17:50		
Central Ave & McDowell Rd.....	18:00		
24th St & McDowell Rd.....	18:15		
44th St & McDowell Rd.....	18:27		
52nd St & McDowell Rd.....	18:31		
Scottsdale Rd & McDowell Rd....	18:40		
Pima Rd & McDowell Rd.....	18:48		

Phoenix West

Effective: 01/22/2024

2181
Weekday

Duty Type	Block	Report Time	Start Place	Start Time	End Time	End Place	Clear Time	Paid Time	Seat Time
ST	CAR 2043	15:26	WEST 51HD	15:31 15:45	15:45 23:30	51HD WEST	23:30	8h04	6h35

Sign-on	15:26	Deadhead	Deadhead
Travel by	CAR	59th Ave & Buckeye Rd..... 18:31	59th Ave & Buckeye Rd..... 21:23
Car Pull		51st Ave & Hadley St..... 18:35	51st Ave & Hadley St..... 21:27
West Transit Facility..... 15:31		Deadhead	Deadhead
51st Ave & Hadley St..... 15:45		51st Ave & Hadley St..... 18:49	51st Ave & Hadley St..... 21:53
		59th Ave & Buckeye Rd..... 18:53	59th Ave & Buckeye Rd..... 21:57
Block	2043	59 / North / 830 / 20161516	59 / North / 830 / 20161527
Deadhead		59th Ave & Buckeye Rd..... 18:53	59th Ave & Buckeye Rd..... 21:57
51st Ave & Hadley St..... 15:45		59th Ave & Van Buren St..... 18:55	59th Ave & Van Buren St..... 21:59
59th Ave & Buckeye Rd..... 15:49		59th Ave & Thomas Rd..... 19:03	59th Ave & Thomas Rd..... 22:06
		59th Ave & Camelback Rd..... 19:13	59th Ave & Camelback Rd..... 22:13
		59th Ave & Glendale Ave..... 19:22	59th Ave & Glendale Ave..... 22:21
59 / North / 830 / 20161503		59th Ave & Olive Ave..... 19:30	59th Ave & Olive Ave..... 22:28
59th Ave & Buckeye Rd..... 15:49		59th Ave & Thunderbird Rd..... 19:41	59th Ave & Thunderbird Rd..... 22:38
59th Ave & Van Buren St..... 15:51		59th Ave & Bell Rd..... 19:49	59th Ave & Bell Rd..... 22:45
59th Ave & Thomas Rd..... 16:03		59th Ave & Beardsley Rd..... 19:57	59th Ave & Beardsley Rd..... 22:52
59th Ave & Camelback Rd..... 16:13			
59th Ave & Glendale Ave..... 16:24		59 / South / 220 / 20161457	Pull In
59th Ave & Olive Ave..... 16:34		59th Ave & Beardsley Rd..... 20:28	59th Ave & Beardsley Rd..... 22:52
59th Ave & Thunderbird Rd..... 16:46		59th Ave & Bell Rd..... 20:34	West Transit Facility..... 23:30
59th Ave & Bell Rd..... 16:55		59th Ave & Thunderbird Rd..... 20:40	
59th Ave & Beardsley Rd..... 17:05		59th Ave & Olive Ave..... 20:52	
		59th Ave & Glendale Ave..... 20:59	
59 / South / 220 / 20161453		59th Ave & Camelback Rd..... 21:06	
59th Ave & Beardsley Rd..... 17:18		59th Ave & Thomas Rd..... 21:13	
59th Ave & Bell Rd..... 17:25		59th Ave & Van Buren St..... 21:20	
59th Ave & Thunderbird Rd..... 17:32		59th Ave & Buckeye Rd..... 21:23	
59th Ave & Olive Ave..... 17:45			
59th Ave & Glendale Ave..... 17:57			
59th Ave & Camelback Rd..... 18:06			
59th Ave & Thomas Rd..... 18:17			
59th Ave & Van Buren St..... 18:28			
59th Ave & Buckeye Rd..... 18:31			

Phoenix West

Effective: 01/22/2024

2182
Weekday

Duty Type	Block	Report Time	Start Place	Start Time	End Time	End Place	Clear Time	Paid Time	Seat Time
ST	CAR 2038	15:35	WEST 43LB	15:40 16:00	16:00 24:01	43LB WEST	24:01	8h26	6h44

Sign-on	15:35	Deadhead	43 / North / 182 / 20161105
Travel by	CAR	43rd Ave & Lower Buckeye Rd 18:52	43rd Ave & Lower Buckeye Rd 21:51
Car Pull		43 / North / 182 / 20161097	43rd Ave & Van Buren St..... 21:57
West Transit Facility..... 15:40		43rd Ave & Lower Buckeye Rd 19:16	43rd Ave & Thomas Rd..... 22:04
43rd Ave & Lower Buckeye Rd 16:00		43rd Ave & Van Buren St..... 19:22	43rd Ave & Camelback Rd..... 22:10
Block	2038	43rd Ave & Thomas Rd..... 19:32	43rd Ave & Glendale Ave..... 22:16
		43rd Ave & Camelback Rd..... 19:40	43rd Ave & Dunlap Ave..... 22:22
		43rd Ave & Glendale Ave..... 19:47	43rd Ave & Thunderbird Rd..... 22:30
		43rd Ave & Dunlap Ave..... 19:54	43rd Ave & Union Hills Dr..... 22:37
		43rd Ave & Thunderbird Rd..... 20:02	Deadhead
43 / North / 182 / 20161092		43rd Ave & Union Hills Dr..... 20:11	43rd Ave & Union Hills Dr..... 22:37
43rd Ave & Lower Buckeye Rd 16:10		43rd Ave & Union Hills Dr..... 20:18	43rd Ave & Union Hills Dr..... 22:44
43rd Ave & Van Buren St..... 16:17		Deadhead	43 / South / 207 / 20161201
43rd Ave & Thomas Rd..... 16:29		43rd Ave & Union Hills Dr..... 20:11	43rd Ave & Union Hills Dr..... 22:57
43rd Ave & Camelback Rd..... 16:40		43rd Ave & Union Hills Dr..... 20:18	43rd Ave & Thunderbird Rd..... 23:04
43rd Ave & Glendale Ave..... 16:49		43 / South / 207 / 20161192	43rd Ave & Dunlap Ave..... 23:12
43rd Ave & Dunlap Ave..... 16:58		43rd Ave & Union Hills Dr..... 20:25	43rd Ave & Glendale Ave..... 23:18
43rd Ave & Thunderbird Rd..... 17:10		43rd Ave & Thunderbird Rd..... 20:32	43rd Ave & Camelback Rd..... 23:25
43rd Ave & Union Hills Dr..... 17:20		43rd Ave & Dunlap Ave..... 20:41	43rd Ave & Thomas Rd..... 23:32
Deadhead		43rd Ave & Glendale Ave..... 20:48	43rd Ave & Van Buren St..... 23:39
43rd Ave & Union Hills Dr..... 17:27		43rd Ave & Camelback Rd..... 20:55	43rd Ave & Lower Buckeye Rd 23:46
		43rd Ave & Thomas Rd..... 21:03	Pull In
43 / South / 207 / 20161185		43rd Ave & Van Buren St..... 21:11	43rd Ave & Lower Buckeye Rd 23:46
43rd Ave & Union Hills Dr..... 17:49		43rd Ave & Lower Buckeye Rd 21:18	West Transit Facility..... 24:01
43rd Ave & Thunderbird Rd..... 17:57		43rd Ave & Lower Buckeye Rd 21:24	
43rd Ave & Dunlap Ave..... 18:07		Deadhead	
43rd Ave & Glendale Ave..... 18:16		43rd Ave & Lower Buckeye Rd 21:18	
43rd Ave & Camelback Rd..... 18:25		43rd Ave & Lower Buckeye Rd 21:24	
43rd Ave & Thomas Rd..... 18:33			
43rd Ave & Van Buren St..... 18:44			
43rd Ave & Lower Buckeye Rd 18:52			

Phoenix West

Effective: 01/22/2024

2183

Weekday

Duty Type	Block	Report Time	Start Place	Start Time	End Time	End Place	Clear Time	Paid Time	Seat Time
ST	2164	15:38	WEST	15:43	24:17	WEST	24:17	8h39	6h31

Sign-on	15:38	Deadhead	17 / East / 255 / 20161681
		Pima Rd & McDowell Rd.....	18:28 99th Ave & McDowell Rd..... 21:12
Block	2164	Pima Rd & McDowell Rd.....	18:35 83rd Ave & McDowell Rd..... 21:18
			67th Ave & McDowell Rd..... 21:24
			43rd Ave & McDowell Rd..... 21:33
Pull Out		17 / West / 253 / 20161533	43rd Ave & McDowell Rd..... 21:33
West Transit Facility.....	15:58	Pima Rd & McDowell Rd.....	19:15 19th Ave & McDowell Rd..... 21:44
Pebble Creek Pkwy & McDow	16:23	Scottsdale Rd & McDowell Rd....	19:22 Central Ave & McDowell Rd..... 21:50
		52nd St & McDowell Rd.....	19:29 24th St & McDowell Rd..... 22:00
		44th St & McDowell Rd.....	19:33 44th St & McDowell Rd..... 22:09
17 / East / 132 / 20160965		24th St & McDowell Rd.....	19:46 52nd St & McDowell Rd..... 22:12
Pebble Creek Pkwy & McDow	16:23	Central Ave & McDowell Rd.....	19:57
Litchfield Rd & McDowell Rd.....	16:30	19th Ave & McDowell Rd.....	20:03
99th Ave & McDowell Rd.....	16:45	43rd Ave & McDowell Rd.....	20:18
83rd Ave & McDowell Rd.....	16:53	67th Ave & McDowell Rd.....	20:29
67th Ave & McDowell Rd.....	17:00	83rd Ave & McDowell Rd.....	20:36
43rd Ave & McDowell Rd.....	17:14	99th Ave & McDowell Rd.....	20:44 17 / West / 253 / 20161400
19th Ave & McDowell Rd.....	17:30		52nd St & McDowell Rd..... 23:04
Central Ave & McDowell Rd.....	17:40	Deadhead	44th St & McDowell Rd..... 23:07
24th St & McDowell Rd.....	17:55	99th Ave & McDowell Rd.....	20:44 24th St & McDowell Rd..... 23:17
44th St & McDowell Rd.....	18:07	99th Ave & McDowell Rd.....	20:51 Central Ave & McDowell Rd..... 23:27
52nd St & McDowell Rd.....	18:11		19th Ave & McDowell Rd..... 23:32
Scottsdale Rd & McDowell Rd....	18:20		43rd Ave & McDowell Rd..... 23:44
Pima Rd & McDowell Rd.....	18:28		67th Ave & McDowell Rd..... 23:53
			83rd Ave & McDowell Rd..... 24:00
			99th Ave & McDowell Rd..... 24:07
			Pull In
			99th Ave & McDowell Rd..... 24:07
			West Transit Facility..... 24:17

Phoenix West

Effective: 01/22/2024

2184

Weekday

Duty Type	Block	Report Time	Start Place	Start Time	End Time	End Place	Clear Time	Paid Time	Seat Time
ST	CAR 2136	15:44	WEST 83MC	15:49 16:01	16:01 24:24	83MC WEST	24:24	8h40	7h02

Sign-on	15:44	Deadhead				29 / East / 31 / 20161590			
		Granite Reef Rd & Indian Sch		18:08		93rd Ave & Thomas Rd.....		20:55	
Travel by	CAR	Pima Rd & Chaparral Rd.....		18:12		Thomas Rd at Desert Sky TC....		21:00	
						67th Ave & Thomas Rd.....		21:07	
Car Pull		Deadhead				51st Ave & Thomas Rd.....		21:15	
West Transit Facility.....	15:49	Pima Rd & Chaparral Rd.....		18:35		35th Ave & Thomas Rd.....		21:21	
83rd Ave & McDowell Rd.....	16:01	Granite Reef Rd & Indian Sch		18:39		19th Ave & Thomas Rd.....		21:30	
						Central Ave & Thomas Rd.....		21:40	
Block	2136	41 / West / 724 / 20161817				24th St & Thomas Rd.....		21:49	
		Granite Reef Rd & Indian Sch		18:39		44th St & Thomas Rd.....		22:00	
Deadhead		Scottsdale Rd & Indian School		18:44		56th St & Thomas Rd.....		22:06	
83rd Ave & McDowell Rd.....	16:01	56th St & Indian School Rd.....		18:52		Scottsdale Rd & Thomas Rd.....		22:11	
107th Ave & Indian School Rd.	16:14	44th St & Indian School Rd.....		18:57		Pima Park.....		22:17	
		32nd St & Indian School Rd.....		19:03					
		24th St & Indian School Rd.....		19:08		Deadhead			
41 / East / 172 / 20161942		Central Ave & Indian School Rd.		19:20		Pima Park.....		22:17	
107th Ave & Indian School Rd.	16:25	Central Ave & Indian School Rd.		19:24		56th St & Thomas Rd.....		22:32	
83rd Ave & Indian School Rd.....	16:35	19th Ave & Indian School Rd.....		19:30					
59th Ave & Indian School Rd.....	16:47	43rd Ave & Indian School Rd.....		19:44		29 / West / 199 / 20161417			
43rd Ave & Indian School Rd.....	16:56	59th Ave & Indian School Rd.....		19:53		56th St & Thomas Rd.....		22:58	
19th Ave & Indian School Rd.....	17:10	83rd Ave & Indian School Rd.....		20:03		44th St & Thomas Rd.....		23:05	
Central Ave & Indian School Rd.	17:20	107th Ave & Indian School Rd.		20:14		24th St & Thomas Rd.....		23:14	
Central Ave & Indian School Rd.	17:24					Central Ave & Thomas Rd.....		23:25	
24th St & Indian School Rd.....	17:37	Deadhead				19th Ave & Thomas Rd.....		23:34	
32nd St & Indian School Rd.....	17:42	107th Ave & Indian School Rd.		20:14		35th Ave & Thomas Rd.....		23:42	
44th St & Indian School Rd.....	17:48	93rd Ave & Thomas Rd.....		20:22		51st Ave & Thomas Rd.....		23:49	
56th St & Indian School Rd.....	17:54					67th Ave & Thomas Rd.....		23:55	
Scottsdale Rd & Indian School	18:00					Desert Sky TC.....		24:02	
Granite Reef Rd & Indian Sch	18:08					Desert Sky TC.....		24:05	
						93rd Ave & Thomas Rd.....		24:11	
						Pull In			
						93rd Ave & Thomas Rd.....		24:11	
						West Transit Facility.....		24:24	

Phoenix West

Effective: 01/22/2024

2185
Weekday

Duty Type	Block	Report Time	Start Place	Start Time	End Time	End Place	Clear Time	Paid Time	Seat Time
ST	CAR 2051	15:51	WEST BA51	15:56 16:32	16:32 24:42	BA51 WEST	24:42	8h51	6h53

Sign-on	15:51	51 / South / 27 / 20161051	51 / South / 28 / 20161074
		ASU West Campus.....	ASU West Campus.....
Travel by	CAR	51st Ave & Olive Ave.....	51st Ave & Olive Ave.....
		51st Ave & Glendale Ave.....	51st Ave & Glendale Ave.....
Car Pull		51st Ave & Camelback Rd.....	51st Ave & Camelback Rd.....
West Transit Facility.....	15:56	51st Ave & Thomas Rd.....	51st Ave & Thomas Rd.....
51st Ave & Baseline Rd.....	16:32	51st Ave & Van Buren St.....	51st Ave & Van Buren St.....
		51st Ave & Lower Buckeye Rd...	51st Ave & Lower Buckeye Rd...
Block	2051	51st Ave & Baseline Rd.....	51st Ave & Baseline Rd.....
			Vee Quiva Casino.....
Deadhead		Deadhead	Komatke Health Center.....
51st Ave & Baseline Rd.....	16:32	51st Ave & Baseline Rd.....	51st Ave & Pecos Rd.....
51st Ave & Baseline Rd.....	16:37	51st Ave & Baseline Rd.....	51st Ave & Pecos Rd.....
51 / North / 206 / 20161329		51 / North / 206 / 20161334	51 / North / 206 / 20161343
51st Ave & Baseline Rd.....	16:48	51st Ave & Baseline Rd.....	51st Ave & Pecos Rd.....
51st Ave & Lower Buckeye Rd...	16:56	51st Ave & Lower Buckeye Rd...	Vee Quiva Casino.....
51st Ave & Van Buren St.....	17:04	51st Ave & Van Buren St.....	51st Ave & Baseline Rd.....
51st Ave & Thomas Rd.....	17:15	51st Ave & Thomas Rd.....	51st Ave & Lower Buckeye Rd...
51st Ave & Camelback Rd.....	17:25	51st Ave & Camelback Rd.....	51st Ave & Van Buren St.....
51st Ave & Glendale Ave.....	17:33	51st Ave & Glendale Ave.....	51st Ave & Thomas Rd.....
51st Ave & Olive Ave.....	17:40	51st Ave & Olive Ave.....	51st Ave & Camelback Rd.....
ASU West Campus.....	17:52	ASU West Campus.....	ASU West Campus.....
			Pull In
			ASU West Campus.....
			West Transit Facility.....

Phoenix West

Effective: 01/22/2024

2186

Weekday

Duty Type	Block	Report Time	Start Place	Start Time	End Time	End Place	Clear Time	Paid Time	Seat Time
ST	CAR 2035	16:04	WEST 83MC	16:09 16:21	16:21 24:06	83MC WEST	24:06	8h02	6h38

Sign-on	16:04	Deadhead	29 / East / 31 / 20161595
Travel by	CAR	Pima Rd & McDowell Rd..... 19:34	93rd Ave & Thomas Rd..... 21:58
Car Pull		Pima Rd & McDowell Rd..... 19:41	Thomas Rd at Desert Sky TC.... 22:03
West Transit Facility..... 16:09		17 / West / 253 / 20161530	67th Ave & Thomas Rd..... 22:10
83rd Ave & McDowell Rd..... 16:21		Pima Rd & McDowell Rd..... 20:15	51st Ave & Thomas Rd..... 22:18
		Scottsdale Rd & McDowell Rd... 20:22	35th Ave & Thomas Rd..... 22:24
		52nd St & McDowell Rd..... 20:29	19th Ave & Thomas Rd..... 22:32
Block	2035	44th St & McDowell Rd..... 20:33	Central Ave & Thomas Rd..... 22:40
		24th St & McDowell Rd..... 20:46	24th St & Thomas Rd..... 22:49
17 / West / 127 / 20161564		Central Ave & McDowell Rd..... 20:57	44th St & Thomas Rd..... 23:00
83rd Ave & McDowell Rd..... 16:21		19th Ave & McDowell Rd..... 21:03	56th St & Thomas Rd..... 23:05
99th Ave & McDowell Rd..... 16:29		43rd Ave & McDowell Rd..... 21:15	Scottsdale Rd & Thomas Rd.... 23:10
Litchfield Rd & McDowell Rd..... 16:44		67th Ave & McDowell Rd..... 21:24	Pima Park..... 23:16
Pebble Creek Pkwy & McDow 16:51		83rd Ave & McDowell Rd..... 21:31	Pull In
		99th Ave & McDowell Rd..... 21:38	Pima Park..... 23:16
Deadhead			West Transit Facility..... 24:06
Pebble Creek Pkwy & McDow 16:51		Deadhead	
Pebble Creek Pkwy & McDow 16:58		99th Ave & McDowell Rd..... 21:38	
		93rd Ave & Thomas Rd..... 21:48	
17 / East / 132 / 20160960			
Pebble Creek Pkwy & McDow 17:33			
Litchfield Rd & McDowell Rd..... 17:40			
99th Ave & McDowell Rd..... 17:55			
83rd Ave & McDowell Rd..... 18:03			
67th Ave & McDowell Rd..... 18:10			
43rd Ave & McDowell Rd..... 18:24			
19th Ave & McDowell Rd..... 18:40			
Central Ave & McDowell Rd..... 18:50			
24th St & McDowell Rd..... 19:04			
44th St & McDowell Rd..... 19:15			
52nd St & McDowell Rd..... 19:19			
Scottsdale Rd & McDowell Rd.... 19:26			
Pima Rd & McDowell Rd..... 19:34			

Phoenix West

Effective: 01/22/2024

2187
Weekday

Duty Type	Block	Report Time	Start Place	Start Time	End Time	End Place	Clear Time	Paid Time	Seat Time
ST	CAR 2036	16:34	WEST 107I-E	16:39 16:57	16:57 23:57	107I-E WEST	23:57	7h23	5h56

Sign-on	16:34	Deadhead				Deadhead			
Travel by	CAR	Granite Reef Rd & Indian Sch		19:18		107th Ave & Indian School Rd.		21:14	
		Pima Rd & Chaparral Rd.....		19:22		107th Ave & Indian School Rd.		21:20	
Car Pull		Deadhead				41 / East / 172 / 20161932			
West Transit Facility.....	16:39	Pima Rd & Chaparral Rd.....		19:37		107th Ave & Indian School Rd.		21:49	
107th Ave & Indian School Rd.	16:57	Granite Reef Rd & Indian Sch		19:41		83rd Ave & Indian School Rd.....		21:56	
Block	2036	41 / West / 724 / 20161811				59th Ave & Indian School Rd.....		22:06	
41 / East / 172 / 20161939		Granite Reef Rd & Indian Sch		19:41		43rd Ave & Indian School Rd.....		22:13	
107th Ave & Indian School Rd.	17:35	Scottsdale Rd & Indian School		19:46		19th Ave & Indian School Rd.....		22:26	
83rd Ave & Indian School Rd.....	17:45	56th St & Indian School Rd.....		19:53		Central Ave & Indian School Rd.		22:30	
59th Ave & Indian School Rd.....	17:57	44th St & Indian School Rd.....		19:57		Central Ave & Indian School Rd.		22:34	
43rd Ave & Indian School Rd.....	18:06	32nd St & Indian School Rd.....		20:03		24th St & Indian School Rd.....		22:44	
19th Ave & Indian School Rd.....	18:20	24th St & Indian School Rd.....		20:08		32nd St & Indian School Rd.....		22:47	
Central Ave & Indian School Rd.	18:30	Central Ave & Indian School Rd.		20:20		44th St & Indian School Rd.....		22:51	
Central Ave & Indian School Rd.	18:34	Central Ave & Indian School Rd.		20:24		56th St & Indian School Rd.....		22:55	
24th St & Indian School Rd.....	18:47	19th Ave & Indian School Rd.....		20:30		Scottsdale Rd & Indian School		23:01	
32nd St & Indian School Rd.....	18:52	43rd Ave & Indian School Rd.....		20:44		Granite Reef Rd & Indian Sch		23:07	
44th St & Indian School Rd.....	18:58	59th Ave & Indian School Rd.....		20:53					
56th St & Indian School Rd.....	19:04	83rd Ave & Indian School Rd.....		21:03		Pull In			
Scottsdale Rd & Indian School	19:10	107th Ave & Indian School Rd.		21:14		Granite Reef Rd & Indian Sch		23:07	
Granite Reef Rd & Indian Sch	19:18					West Transit Facility.....		23:57	

Phoenix West

Effective: 01/22/2024

2188
Weekday

Duty Type	Block	Report Time	Start Place	Start Time	End Time	End Place	Clear Time	Paid Time	Seat Time
ST	CAR 2033	16:38	WEST 83VB	16:43 16:51	16:51 23:25	83VB WEST	23:25	6h47	5h34

Sign-on	16:38	3 / West / 546 / 20162155				Deadhead			
		Phoenix Zoo.....		18:45		Galvin Pkwy & Van Buren St...		22:02	
Travel by	CAR	Galvin Pkwy & Van Buren St.....		18:48		Galvin Pkwy & Van Buren St...		22:08	
		44th St & Van Buren St.....		18:56					
Car Pull		24th St & Van Buren St.....		19:06		3 / West / 104 / 20162163			
West Transit Facility.....	16:43	2nd Ave & Van Buren St.....		19:18		Galvin Pkwy & Van Buren St...		22:26	
83rd Ave & Van Buren St.....	16:51	19th Ave & Van Buren St.....		19:25		44th St & Van Buren St.....		22:33	
		35th Ave & Van Buren St.....		19:34		24th St & Van Buren St.....		22:41	
Block	2033	51st Ave & Van Buren St.....		19:42		2nd Ave & Van Buren St.....		22:48	
		67th Ave & Van Buren St.....		19:49		19th Ave & Van Buren St.....		22:54	
3 / East / 86 / 20162084		83rd Ave & Van Buren St.....		19:56		35th Ave & Van Buren St.....		23:01	
83rd Ave & Van Buren St.....	16:51	99th Ave & Van Buren St.....		20:03		51st Ave & Van Buren St.....		23:08	
67th Ave & Van Buren St.....	16:56	Avondale Civic Center.....		20:10		67th Ave & Van Buren St.....		23:14	
51st Ave & Van Buren St.....	17:09	4th St & La Canada Blvd.....		20:21		83rd Ave & Van Buren St.....		23:20	
35th Ave & Van Buren St.....	17:20								
19th Ave & Van Buren St.....	17:31	3 / East / 181 / 20162096				Pull In			
Central Ave & Van Buren St.....	17:40	4th St & La Canada Blvd.....		20:40		83rd Ave & Van Buren St.....		23:20	
24th St & Van Buren St.....	17:54	Avondale Civic Center.....		20:54		West Transit Facility.....		23:25	
44th St & Van Buren St.....	18:03	99th Ave & Van Buren St.....		21:00					
Galvin Pkwy & Van Buren St.....	18:10	83rd Ave & Van Buren St.....		21:07					
Phoenix Zoo.....	18:14	67th Ave & Van Buren St.....		21:12					
		51st Ave & Van Buren St.....		21:19					
		35th Ave & Van Buren St.....		21:26					
		19th Ave & Van Buren St.....		21:33					
		Central Ave & Van Buren St.....		21:40					
		24th St & Van Buren St.....		21:48					
		44th St & Van Buren St.....		21:56					
		Galvin Pkwy & Van Buren St...		22:02					

Phoenix West

Effective: 01/22/2024

2189
Weekday

Duty Type	Block	Report Time	Start Place	Start Time	End Time	End Place	Clear Time	Paid Time	Seat Time
ST	CAR 2123	16:44	WEST 83MC	16:49 17:01	17:01 24:15	83MC WEST	24:15	7h31	5h48

Sign-on	16:44	17 / East / 132 / 20160958	Deadhead
Travel by	CAR	Pebble Creek Pkwy & McDow	99th Ave & McDowell Rd..... 22:07
Car Pull		Litchfield Rd & McDowell Rd.....	99th Ave & McDowell Rd..... 22:14
West Transit Facility.....	16:49	99th Ave & McDowell Rd.....	-----
83rd Ave & McDowell Rd.....	17:01	83rd Ave & McDowell Rd.....	17 / East / 255 / 20161693
Block	2123	67th Ave & McDowell Rd.....	99th Ave & McDowell Rd..... 22:42
17 / West / 127 / 20161558		43rd Ave & McDowell Rd.....	83rd Ave & McDowell Rd.....
83rd Ave & McDowell Rd.....	17:01	19th Ave & McDowell Rd.....	67th Ave & McDowell Rd.....
99th Ave & McDowell Rd.....	17:09	Central Ave & McDowell Rd.....	43rd Ave & McDowell Rd.....
Litchfield Rd & McDowell Rd.....	17:24	24th St & McDowell Rd.....	19th Ave & McDowell Rd.....
Pebble Creek Pkwy & McDow	17:31	44th St & McDowell Rd.....	Central Ave & McDowell Rd.....
Deadhead		52nd St & McDowell Rd.....	24th St & McDowell Rd.....
Pebble Creek Pkwy & McDow	17:31	Scottsdale Rd & McDowell Rd....	44th St & McDowell Rd.....
Pebble Creek Pkwy & McDow	17:38	Pima Rd & McDowell Rd.....	52nd St & McDowell Rd..... 23:42
Deadhead		-----	Pull In
Pebble Creek Pkwy & McDow	17:31	-----	52nd St & McDowell Rd..... 23:42
Pebble Creek Pkwy & McDow	17:38	17 / West / 253 / 20161524	West Transit Facility..... 24:15
-----		Pima Rd & McDowell Rd.....	-----
-----		Scottsdale Rd & McDowell Rd....	
-----		52nd St & McDowell Rd.....	
-----		44th St & McDowell Rd.....	
-----		24th St & McDowell Rd.....	
-----		Central Ave & McDowell Rd.....	
-----		19th Ave & McDowell Rd.....	
-----		43rd Ave & McDowell Rd.....	
-----		67th Ave & McDowell Rd.....	
-----		83rd Ave & McDowell Rd.....	
-----		99th Ave & McDowell Rd.....	

Phoenix West

Effective: 01/22/2024

2190

Weekday

Duty Type	Block	Report Time	Start Place	Start Time	End Time	End Place	Clear Time	Paid Time	Seat Time
ST	CAR 2007	17:40	WEST 83VB	17:45 17:53	17:53 24:25	83VB WEST	24:25	6h45	5h25

Sign-on	17:40	3 / West / 546 / 20162158				Deadhead			
		Galvin Pkwy & Van Buren St...	19:50			Galvin Pkwy & Van Buren St...	23:02		
Travel by	CAR	44th St & Van Buren St.....	19:57			Galvin Pkwy & Van Buren St...	23:08		
		24th St & Van Buren St.....	20:06						
Car Pull		2nd Ave & Van Buren St.....	20:18			3 / West / 104 / 20162165			
West Transit Facility.....	17:45	19th Ave & Van Buren St.....	20:25			Galvin Pkwy & Van Buren St...	23:26		
83rd Ave & Van Buren St.....	17:53	35th Ave & Van Buren St.....	20:34			44th St & Van Buren St.....	23:33		
		51st Ave & Van Buren St.....	20:42			24th St & Van Buren St.....	23:41		
Block	2007	67th Ave & Van Buren St.....	20:49			2nd Ave & Van Buren St.....	23:48		
		83rd Ave & Van Buren St.....	20:56			19th Ave & Van Buren St.....	23:54		
		99th Ave & Van Buren St.....	21:03			35th Ave & Van Buren St.....	24:01		
3 / East / 181 / 20162090		Avondale Civic Center.....	21:10			51st Ave & Van Buren St.....	24:08		
83rd Ave & Van Buren St.....	18:22	4th St & La Canada Blvd.....	21:21			67th Ave & Van Buren St.....	24:14		
67th Ave & Van Buren St.....	18:27					83rd Ave & Van Buren St.....	24:20		
51st Ave & Van Buren St.....	18:40								
35th Ave & Van Buren St.....	18:51	3 / East / 181 / 20162098							
19th Ave & Van Buren St.....	19:02	4th St & La Canada Blvd.....	21:40			Pull In			
Central Ave & Van Buren St.....	19:10	Avondale Civic Center.....	21:54			83rd Ave & Van Buren St.....	24:20		
24th St & Van Buren St.....	19:20	99th Ave & Van Buren St.....	22:00			West Transit Facility.....	24:25		
44th St & Van Buren St.....	19:28	83rd Ave & Van Buren St.....	22:07						
Galvin Pkwy & Van Buren St...	19:35	67th Ave & Van Buren St.....	22:12						
		51st Ave & Van Buren St.....	22:19						
Deadhead		35th Ave & Van Buren St.....	22:26						
Galvin Pkwy & Van Buren St...	19:35	19th Ave & Van Buren St.....	22:33						
Galvin Pkwy & Van Buren St...	19:41	Central Ave & Van Buren St.....	22:40						
		24th St & Van Buren St.....	22:48						
		44th St & Van Buren St.....	22:56						
		Galvin Pkwy & Van Buren St...	23:02						

Phoenix West

Effective: 01/22/2024

2191
Weekday

Duty Type	Block	Report Time	Start Place	Start Time	End Time	End Place	Clear Time	Paid Time	Seat Time
SPL	2001	2:47	WEST	2:52	8:46	WEST	8:46		
	CAR	11:18	WEST	11:23	11:34	51HD			
	2042		51HD	11:34	14:35	51HD			
	CAR		51HD	14:35	14:50	WEST	14:50	9h31	7h56

Sign-on	2:47	29 / West / 35 / 20161487				59 / North / 830 / 20161489			
		Pima Park.....		7:06		59th Ave & Buckeye Rd.....			11:54
Block	2001	Scottsdale Rd & Thomas Rd.....		7:11		59th Ave & Van Buren St.....			11:56
		56th St & Thomas Rd.....		7:17		59th Ave & Thomas Rd.....			12:04
Pull Out		44th St & Thomas Rd.....		7:25		59th Ave & Camelback Rd.....			12:13
West Transit Facility.....	3:07	24th St & Thomas Rd.....		7:35		59th Ave & Glendale Ave.....			12:24
56th St & Thomas Rd.....	3:42	Central Ave & Thomas Rd.....		7:49		59th Ave & Olive Ave.....			12:34
		19th Ave & Thomas Rd.....		7:58		59th Ave & Thunderbird Rd.....			12:46
29 / West / 199 / 20161976		35th Ave & Thomas Rd.....		8:09		59th Ave & Bell Rd.....			12:55
56th St & Thomas Rd.....	3:42	51st Ave & Thomas Rd.....		8:17		59th Ave & Beardsley Rd.....			13:04
44th St & Thomas Rd.....	3:49	67th Ave & Thomas Rd.....		8:24					
24th St & Thomas Rd.....	3:57	Desert Sky TC.....		8:32		59 / South / 220 / 20161442			
Central Ave & Thomas Rd.....	4:08					59th Ave & Beardsley Rd.....			13:16
19th Ave & Thomas Rd.....	4:16	Pull In				59th Ave & Bell Rd.....			13:22
35th Ave & Thomas Rd.....	4:26	Desert Sky TC.....		8:32		59th Ave & Thunderbird Rd.....			13:28
51st Ave & Thomas Rd.....	4:34	West Transit Facility.....		8:46		59th Ave & Olive Ave.....			13:43
67th Ave & Thomas Rd.....	4:41					59th Ave & Glendale Ave.....			13:55
Desert Sky TC.....	4:49	Split break		8:46		59th Ave & Camelback Rd.....			14:06
Desert Sky TC.....	4:52					59th Ave & Thomas Rd.....			14:16
93rd Ave & Thomas Rd.....	4:58	Sign-on		11:18		59th Ave & Van Buren St.....			14:28
						59th Ave & Buckeye Rd.....			14:31
Deadhead		Travel by		CAR					
93rd Ave & Thomas Rd.....	4:58					Deadhead			
94th Av Layover.....	4:59	Car Pull				59th Ave & Buckeye Rd.....			14:31
		West Transit Facility.....		11:23		51st Ave & Hadley St.....			14:35
		51st Ave & Hadley St.....		11:34					
Deadhead						Travel by			CAR
94th Av Layover.....	5:28	Block		2042					
93rd Ave & Thomas Rd.....	5:29					Car Pull			
		Deadhead				51st Ave & Hadley St.....			14:35
29 / East / 31 / 20161519		51st Ave & Hadley St.....		11:50		West Transit Facility.....			14:50
93rd Ave & Thomas Rd.....	5:29	59th Ave & Buckeye Rd.....		11:54					
Thomas Rd at Desert Sky TC....	5:35					59 / North / 830 / 20161497			
67th Ave & Thomas Rd.....	5:43					59th Ave & Buckeye Rd.....			14:49
51st Ave & Thomas Rd.....	5:48					59th Ave & Van Buren St.....			14:51
35th Ave & Thomas Rd.....	5:55					59th Ave & Thomas Rd.....			15:03
19th Ave & Thomas Rd.....	6:05					59th Ave & Camelback Rd.....			15:13
Central Ave & Thomas Rd.....	6:15					59th Ave & Glendale Ave.....			15:24
24th St & Thomas Rd.....	6:25					59th Ave & Olive Ave.....			15:34
44th St & Thomas Rd.....	6:34					59th Ave & Thunderbird Rd.....			15:46
56th St & Thomas Rd.....	6:39					59th Ave & Bell Rd.....			15:55
Scottsdale Rd & Thomas Rd.....	6:46					59th Ave & Beardsley Rd.....			16:05
Pima Park.....	6:53								

Phoenix West

Effective: 01/22/2024

2192
Weekday

Duty Type	Block	Report Time	Start Place	Start Time	End Time	End Place	Clear Time	Paid Time	Seat Time
SPL	2010	3:13	WEST	3:18	7:56	WEST	7:56		
	CAR	10:43	WEST	10:48	11:02	94TH			
	2021		94TH	11:02	14:57	DSTC			
	CAR		DSTC	14:57	15:11	WEST	15:11	9h11	7h30

Sign-on	3:13	Pull In			29 / West / 35 / 20161419				
		Pebble Creek Pkwy & McDow		7:31	Pima Park.....				13:12
Block	2010	West Transit Facility.....		7:56	Scottsdale Rd & Thomas Rd.....				13:17
					56th St & Thomas Rd.....				13:23
Pull Out		Split break		7:56	44th St & Thomas Rd.....				13:31
West Transit Facility.....	3:33				24th St & Thomas Rd.....				13:43
43rd Ave & McDowell Rd.....	3:53	Sign-on		10:43	Central Ave & Thomas Rd.....				13:56
					19th Ave & Thomas Rd.....				14:06
17 / East / 255 / 20161975		Travel by		CAR	35th Ave & Thomas Rd.....				14:17
43rd Ave & McDowell Rd.....	3:53				51st Ave & Thomas Rd.....				14:26
19th Ave & McDowell Rd.....	4:07	Car Pull			67th Ave & Thomas Rd.....				14:34
Central Ave & McDowell Rd.....	4:15	West Transit Facility.....		10:48	Desert Sky TC.....				14:43
24th St & McDowell Rd.....	4:27	94th Av Layover.....		11:02					
44th St & McDowell Rd.....	4:38				Travel by				CAR
52nd St & McDowell Rd.....	4:42	Block		2021					
					Car Pull				
Deadhead		Deadhead			Desert Sky TC.....				14:57
52nd St & McDowell Rd.....	4:42	94th Av Layover.....		11:02	West Transit Facility.....				15:11
Pima Rd & McDowell Rd.....	4:57	93rd Ave & Thomas Rd.....		11:03					
					29 / East / 31 / 20161113				
17 / West / 127 / 20161647		29 / East / 31 / 20161548			<i>Thomas Rd at Desert Sky TC..</i>				<i>14:59</i>
Pima Rd & McDowell Rd.....	5:30	93rd Ave & Thomas Rd.....		11:03	<i>67th Ave & Thomas Rd.....</i>				<i>15:08</i>
Scottsdale Rd & McDowell Rd....	5:37	Thomas Rd at Desert Sky TC....		11:09	<i>51st Ave & Thomas Rd.....</i>				<i>15:17</i>
52nd St & McDowell Rd.....	5:45	67th Ave & Thomas Rd.....		11:16	<i>35th Ave & Thomas Rd.....</i>				<i>15:25</i>
44th St & McDowell Rd.....	5:49	51st Ave & Thomas Rd.....		11:23	<i>19th Ave & Thomas Rd.....</i>				<i>15:36</i>
24th St & McDowell Rd.....	6:04	35th Ave & Thomas Rd.....		11:31	<i>Central Ave & Thomas Rd.....</i>				<i>15:48</i>
Central Ave & McDowell Rd.....	6:17	19th Ave & Thomas Rd.....		11:42	<i>24th St & Thomas Rd.....</i>				<i>16:01</i>
19th Ave & McDowell Rd.....	6:25	Central Ave & Thomas Rd.....		11:54	<i>44th St & Thomas Rd.....</i>				<i>16:19</i>
43rd Ave & McDowell Rd.....	6:42	24th St & Thomas Rd.....		12:06	<i>56th St & Thomas Rd.....</i>				<i>16:26</i>
67th Ave & McDowell Rd.....	6:54	44th St & Thomas Rd.....		12:22	<i>Scottsdale Rd & Thomas Rd...</i>				<i>16:33</i>
83rd Ave & McDowell Rd.....	7:01	56th St & Thomas Rd.....		12:28	<i>Pima Park.....</i>				<i>16:42</i>
99th Ave & McDowell Rd.....	7:09	Scottsdale Rd & Thomas Rd.....		12:34					
Litchfield Rd & McDowell Rd.....	7:24	Pima Park.....		12:43					
Pebble Creek Pkwy & McDow	7:31								

Phoenix West

Effective: 01/22/2024

2193

Weekday

Duty Type	Block	Report Time	Start Place	Start Time	End Time	End Place	Clear Time	Paid Time	Seat Time
SPL	2034	3:37	WEST	3:42	9:35	WEST	9:35		
	CAR	12:18	WEST	12:23	12:34	51HD			
	2059		51HD	12:34	15:36	51HD			
	CAR		51HD	15:36	15:51	WEST	15:51	9h31	8h10

Sign-on	3:37	Pull In				59 / South / 220 / 20161446			
		Pima Rd & McDowell Rd.....		8:47		59th Ave & Beardsley Rd.....			14:16
Block	2034	West Transit Facility.....		9:35		59th Ave & Bell Rd.....			14:22
						59th Ave & Thunderbird Rd.....			14:28
Pull Out		Split break		9:35		59th Ave & Olive Ave.....			14:43
West Transit Facility.....	3:57					59th Ave & Glendale Ave.....			14:55
52nd St & McDowell Rd.....	4:30	Sign-on		12:18		59th Ave & Camelback Rd.....			15:06
						59th Ave & Thomas Rd.....			15:17
17 / West / 127 / 20161397		Travel by		CAR		59th Ave & Van Buren St.....			15:29
52nd St & McDowell Rd.....	4:30					59th Ave & Buckeye Rd.....			15:32
44th St & McDowell Rd.....	4:34	Car Pull							
24th St & McDowell Rd.....	4:47	West Transit Facility.....		12:23		Deadhead			
Central Ave & McDowell Rd.....	4:57	51st Ave & Hadley St.....		12:34		59th Ave & Buckeye Rd.....			15:32
19th Ave & McDowell Rd.....	5:03					51st Ave & Hadley St.....			15:36
43rd Ave & McDowell Rd.....	5:17	Block		2059					
67th Ave & McDowell Rd.....	5:28					Travel by			CAR
83rd Ave & McDowell Rd.....	5:35	Deadhead							
99th Ave & McDowell Rd.....	5:43	51st Ave & Hadley St.....		12:48		Car Pull			
Litchfield Rd & McDowell Rd.....	5:58	59th Ave & Buckeye Rd.....		12:52		51st Ave & Hadley St.....			15:36
Pebble Creek Pkwy & McDow	6:05					West Transit Facility.....			15:51
Deadhead		59 / North / 830 / 20161491							
Pebble Creek Pkwy & McDow	6:05	59th Ave & Buckeye Rd.....		12:52		59 / North / 830 / 20161505			
Pebble Creek Pkwy & McDow	6:12	59th Ave & Van Buren St.....		12:54		59th Ave & Buckeye Rd.....			16:19
		59th Ave & Thomas Rd.....		13:03		59th Ave & Van Buren St.....			16:21
		59th Ave & Camelback Rd.....		13:13		59th Ave & Thomas Rd.....			16:33
17 / East / 132 / 20161030		59th Ave & Glendale Ave.....		13:24		59th Ave & Camelback Rd.....			16:43
Pebble Creek Pkwy & McDow	6:43	59th Ave & Olive Ave.....		13:35		59th Ave & Glendale Ave.....			16:54
Litchfield Rd & McDowell Rd.....	6:50	59th Ave & Thunderbird Rd.....		13:47		59th Ave & Olive Ave.....			17:04
99th Ave & McDowell Rd.....	7:05	59th Ave & Bell Rd.....		13:56		59th Ave & Thunderbird Rd.....			17:16
83rd Ave & McDowell Rd.....	7:13	59th Ave & Beardsley Rd.....		14:05		59th Ave & Bell Rd.....			17:25
67th Ave & McDowell Rd.....	7:20					59th Ave & Beardsley Rd.....			17:35
43rd Ave & McDowell Rd.....	7:34								
19th Ave & McDowell Rd.....	7:50								
Central Ave & McDowell Rd.....	8:00								
24th St & McDowell Rd.....	8:14								
44th St & McDowell Rd.....	8:26								
52nd St & McDowell Rd.....	8:30								
Scottsdale Rd & McDowell Rd....	8:39								
Pima Rd & McDowell Rd.....	8:47								

Phoenix West

Effective: 01/22/2024

2194

Weekday

Duty Type	Block	Report Time	Start Place	Start Time	End Time	End Place	Clear Time	Paid Time	Seat Time
SPL	2037	3:41	WEST	3:46	8:38	BA51			
	CAR		BA51	8:38	9:14	WEST	9:14		
	CAR	11:48	WEST	11:53	12:04	51HD			
	2043		51HD	12:04	15:45	51HD			
	CAR		51HD	15:45	16:00	WEST	16:00	9h45	7h47

Sign-on	3:41	Deadhead				59 / North / 830 / 20161490			
		51st Ave & Baseline Rd.....		8:33		59th Ave & Buckeye Rd.....			12:24
Block	2037	51st Ave & Baseline Rd.....		8:38		59th Ave & Van Buren St.....			12:26
						59th Ave & Thomas Rd.....			12:34
Pull Out		Travel by		CAR		59th Ave & Camelback Rd.....			12:43
West Transit Facility.....	4:01					59th Ave & Glendale Ave.....			12:54
ASU West Campus.....	4:34	Car Pull				59th Ave & Olive Ave.....			13:05
		51st Ave & Baseline Rd.....		8:38		59th Ave & Thunderbird Rd.....			13:17
		West Transit Facility.....		9:14		59th Ave & Bell Rd.....			13:26
51 / South / 27 / 20161988						59th Ave & Beardsley Rd.....			13:35
ASU West Campus.....	4:34	Split break		9:14					
51st Ave & Olive Ave.....	4:45					59 / South / 220 / 20161447			
51st Ave & Glendale Ave.....	4:52					59th Ave & Beardsley Rd.....			13:46
51st Ave & Camelback Rd.....	4:58	51 / North / 206 / 20161312				59th Ave & Bell Rd.....			13:52
51st Ave & Thomas Rd.....	5:04	51st Ave & Baseline Rd.....		8:48		59th Ave & Thunderbird Rd.....			13:58
51st Ave & Van Buren St.....	5:14	51st Ave & Lower Buckeye Rd		8:56		59th Ave & Olive Ave.....			14:13
51st Ave & Lower Buckeye Rd...	5:21	51st Ave & Van Buren St.....		9:03		59th Ave & Glendale Ave.....			14:25
51st Ave & Baseline Rd.....	5:29	51st Ave & Thomas Rd.....		9:12		59th Ave & Camelback Rd.....			14:36
		51st Ave & Camelback Rd.....		9:21		59th Ave & Thomas Rd.....			14:47
Deadhead		51st Ave & Glendale Ave.....		9:27		59th Ave & Van Buren St.....			14:59
51st Ave & Baseline Rd.....	5:29	51st Ave & Olive Ave.....		9:35		59th Ave & Buckeye Rd.....			15:02
51st Ave & Pecos Rd.....	5:41	ASU West Campus.....		9:47					
51 / North / 206 / 20161305									
51st Ave & Pecos Rd.....	5:56	Sign-on		11:48		Deadhead			
Vee Quiva Casino.....	6:06	Travel by		CAR		59th Ave & Buckeye Rd.....			15:02
51st Ave & Baseline Rd.....	6:18					51st Ave & Hadley St.....			15:06
51st Ave & Lower Buckeye Rd...	6:26	Car Pull							
51st Ave & Van Buren St.....	6:32	West Transit Facility.....		11:53		Travel by			CAR
51st Ave & Thomas Rd.....	6:41	51st Ave & Hadley St.....		12:04		Car Pull			
51st Ave & Camelback Rd.....	6:49					51st Ave & Hadley St.....			15:45
51st Ave & Glendale Ave.....	6:57	Block		2043		West Transit Facility.....			16:00
51st Ave & Olive Ave.....	7:05								
ASU West Campus.....	7:16	Deadhead				59 / North / 830 / 20161503			
51 / South / 27 / 20160972		51st Ave & Hadley St.....		12:20		59th Ave & Buckeye Rd.....			15:49
ASU West Campus.....	7:28	59th Ave & Buckeye Rd.....		12:24		59th Ave & Van Buren St.....			15:51
51st Ave & Olive Ave.....	7:41					59th Ave & Thomas Rd.....			16:03
51st Ave & Glendale Ave.....	7:48					59th Ave & Camelback Rd.....			16:13
51st Ave & Camelback Rd.....	7:56					59th Ave & Glendale Ave.....			16:24
51st Ave & Thomas Rd.....	8:05					59th Ave & Olive Ave.....			16:34
51st Ave & Van Buren St.....	8:16					59th Ave & Thunderbird Rd.....			16:46
51st Ave & Lower Buckeye Rd...	8:24					59th Ave & Bell Rd.....			16:55
51st Ave & Baseline Rd.....	8:33					59th Ave & Beardsley Rd.....			17:05

Phoenix West

Effective: 01/22/2024

2195 Weekday

Duty Type	Block	Report Time	Start Place	Start Time	End Time	End Place	Clear Time	Paid Time	Seat Time
SPL	2052	4:05	WEST	4:10	9:14	83MC			
	CAR		83MC	9:14	9:26	WEST	9:26		
	CAR	11:59	WEST	12:04	12:30	BA51			
	2055		BA51	12:30	15:36	BA51			
	CAR		BA51	15:36	16:12	WEST	16:12	9h34	7h07

Sign-on	4:05	Deadhead				51 / North / 206 / 20161318			
		83rd Ave & Indian School Rd..		8:21		51st Ave & Baseline Rd.....		12:48	
Block	2052	83rd Ave & McDowell Rd.....		8:28		51st Ave & Lower Buckeye Rd...		12:56	
						51st Ave & Van Buren St.....		13:03	
Pull Out		Travel by		CAR		51st Ave & Thomas Rd.....		13:12	
West Transit Facility.....	4:25					51st Ave & Camelback Rd.....		13:21	
107th Ave & Indian School Rd.	4:40	Car Pull				51st Ave & Glendale Ave.....		13:27	
		83rd Ave & McDowell Rd.....		9:14		51st Ave & Olive Ave.....		13:35	
		West Transit Facility.....		9:26		ASU West Campus.....		13:47	

41 / East / 172 / 20161960		Split break		9:26		51 / South / 27 / 20161016			
107th Ave & Indian School Rd.	4:40					ASU West Campus.....		14:22	
83rd Ave & Indian School Rd.....	4:48	17 / East / 132 / 20160968				51st Ave & Olive Ave.....		14:35	
59th Ave & Indian School Rd.....	4:58	<i>83rd Ave & McDowell Rd.....</i>		<i>9:14</i>		51st Ave & Glendale Ave.....		14:43	
43rd Ave & Indian School Rd.....	5:07	<i>67th Ave & McDowell Rd.....</i>		<i>9:21</i>		51st Ave & Camelback Rd.....		14:51	
19th Ave & Indian School Rd.....	5:22	<i>43rd Ave & McDowell Rd.....</i>		<i>9:34</i>		51st Ave & Thomas Rd.....		15:01	
Central Ave & Indian School Rd.	5:30	<i>19th Ave & McDowell Rd.....</i>		<i>9:50</i>		51st Ave & Van Buren St.....		15:14	
Central Ave & Indian School Rd.	5:34	<i>Central Ave & McDowell Rd...</i>		<i>10:00</i>		51st Ave & Lower Buckeye Rd...		15:22	
24th St & Indian School Rd.....	5:43	<i>24th St & McDowell Rd.....</i>		<i>10:15</i>		51st Ave & Baseline Rd.....		15:31	
32nd St & Indian School Rd.....	5:48	<i>44th St & McDowell Rd.....</i>		<i>10:27</i>		-----			
44th St & Indian School Rd.....	5:53	<i>52nd St & McDowell Rd.....</i>		<i>10:31</i>		Deadhead			
56th St & Indian School Rd.....	5:58	<i>Scottsdale Rd & McDowell Rd</i>		<i>10:39</i>		51st Ave & Baseline Rd.....		15:31	
Scottsdale Rd & Indian School	6:04	<i>Pima Rd & McDowell Rd.....</i>		<i>10:47</i>		51st Ave & Baseline Rd.....		15:36	
Granite Reef Rd & Indian Sch	6:09					-----			
Deadhead		Sign-on		11:59		Travel by		CAR	
Granite Reef Rd & Indian Sch	6:09								
Pima Rd & Chaparral Rd.....	6:13	Travel by		CAR		Car Pull			
						51st Ave & Baseline Rd.....		15:36	
Deadhead		Car Pull				West Transit Facility.....		16:12	
Pima Rd & Chaparral Rd.....	6:41	West Transit Facility.....		12:04		-----			
Granite Reef Rd & Indian Sch	6:45	51st Ave & Baseline Rd.....		12:30		51 / North / 206 / 20161327			
						<i>51st Ave & Baseline Rd.....</i>		<i>15:47</i>	
41 / West / 141 / 20161847		Block		2055		<i>51st Ave & Lower Buckeye Rd</i>		<i>15:55</i>	
Granite Reef Rd & Indian Sch	6:45					<i>51st Ave & Van Buren St.....</i>		<i>16:04</i>	
Scottsdale Rd & Indian School	6:50	Deadhead				<i>51st Ave & Thomas Rd.....</i>		<i>16:15</i>	
56th St & Indian School Rd.....	6:58	51st Ave & Baseline Rd.....		12:30		<i>51st Ave & Camelback Rd.....</i>		<i>16:25</i>	
44th St & Indian School Rd.....	7:02	51st Ave & Baseline Rd.....		12:35		<i>51st Ave & Glendale Ave.....</i>		<i>16:33</i>	
32nd St & Indian School Rd.....	7:09	-----							
24th St & Indian School Rd.....	7:16					<i>51st Ave & Olive Ave.....</i>		<i>16:40</i>	
Central Ave & Indian School Rd.	7:30					<i>ASU West Campus.....</i>		<i>16:54</i>	
Central Ave & Indian School Rd.	7:34					-----			
19th Ave & Indian School Rd.....	7:42								
43rd Ave & Indian School Rd.....	7:58								
59th Ave & Indian School Rd.....	8:08								
83rd Ave & Indian School Rd..	8:21								

Phoenix West

Effective: 01/22/2024

2196

Weekday

Duty Type	Block	Report Time	Start Place	Start Time	End Time	End Place	Clear Time	Paid Time	Seat Time
SPL	2061	4:26	WEST	4:31	8:52	WEST	8:52		
	CAR	10:52	WEST	10:57	11:09	99MC			
	2035		99MC	11:09	16:21	83MC			
	CAR		83MC	16:21	16:33	WEST	16:33	10h07	8h17

Sign-on	4:26	Split break		8:52	17 / West / 127 / 20161564				
					Pima Rd & McDowell Rd.....				14:50
Block	2061	Sign-on		10:52	Scottsdale Rd & McDowell Rd....				14:57
					52nd St & McDowell Rd.....				15:05
Pull Out		Travel by		CAR	44th St & McDowell Rd.....				15:09
West Transit Facility.....	4:46				24th St & McDowell Rd.....				15:24
44th St & McDowell Rd.....	5:16	Car Pull			Central Ave & McDowell Rd.....				15:37
		West Transit Facility.....		10:57	19th Ave & McDowell Rd.....				15:45
17 / West / 124 / 20161208		99th Ave & McDowell Rd.....		11:09	43rd Ave & McDowell Rd.....				16:02
44th St & McDowell Rd.....	5:16				67th Ave & McDowell Rd.....				16:14
24th St & McDowell Rd.....	5:29	Block		2035	83rd Ave & McDowell Rd.....				16:21
Central Ave & McDowell Rd.....	5:42								
19th Ave & McDowell Rd.....	5:50	17 / West / 127 / 20161606			Travel by				CAR
43rd Ave & McDowell Rd.....	6:07	99th Ave & McDowell Rd.....		11:09					
		Litchfield Rd & McDowell Rd.....		11:24	Car Pull				
Deadhead		Pebble Creek Pkwy & McDow		11:31	83rd Ave & McDowell Rd.....				16:21
43rd Ave & McDowell Rd.....	6:07				West Transit Facility.....				16:33
43rd Ave & McDowell Rd.....	6:12	Deadhead							
		Pebble Creek Pkwy & McDow		11:31	99th Ave & McDowell Rd.....				16:29
17 / East / 123 / 20161111		Pebble Creek Pkwy & McDow		11:38	Litchfield Rd & McDowell Rd...				16:44
43rd Ave & McDowell Rd.....	6:24				Pebble Creek Pkwy & McDow				16:51
19th Ave & McDowell Rd.....	6:40	17 / East / 132 / 20160989							
Central Ave & McDowell Rd.....	6:50	Pebble Creek Pkwy & McDow		12:23	17 / East / 132 / 20160960				
24th St & McDowell Rd.....	7:04	Litchfield Rd & McDowell Rd.....		12:30	Pebble Creek Pkwy & McDow				17:33
44th St & McDowell Rd.....	7:16	99th Ave & McDowell Rd.....		12:45	Litchfield Rd & McDowell Rd...				17:40
		83rd Ave & McDowell Rd.....		12:53	99th Ave & McDowell Rd.....				17:55
Deadhead		67th Ave & McDowell Rd.....		13:00	83rd Ave & McDowell Rd.....				18:03
44th St & McDowell Rd.....	7:16	43rd Ave & McDowell Rd.....		13:14	67th Ave & McDowell Rd.....				18:10
44th St & McDowell Rd.....	7:26	19th Ave & McDowell Rd.....		13:30	43rd Ave & McDowell Rd.....				18:24
		Central Ave & McDowell Rd.....		13:40	19th Ave & McDowell Rd.....				18:40
17 / West / 124 / 20161219		24th St & McDowell Rd.....		13:55	Central Ave & McDowell Rd...				18:50
44th St & McDowell Rd.....	7:39	44th St & McDowell Rd.....		14:07	24th St & McDowell Rd.....				19:04
24th St & McDowell Rd.....	7:54	52nd St & McDowell Rd.....		14:11	44th St & McDowell Rd.....				19:15
Central Ave & McDowell Rd.....	8:07	Scottsdale Rd & McDowell Rd....		14:20	52nd St & McDowell Rd.....				19:19
19th Ave & McDowell Rd.....	8:15	Pima Rd & McDowell Rd.....		14:28	Scottsdale Rd & McDowell Rd				19:26
43rd Ave & McDowell Rd.....	8:32				Pima Rd & McDowell Rd.....				19:34
		Deadhead							
Pull In		Pima Rd & McDowell Rd.....		14:28					
43rd Ave & McDowell Rd.....	8:32	Pima Rd & McDowell Rd.....		14:35					
West Transit Facility.....	8:52								

Phoenix West

Effective: 01/22/2024

2197
Weekday

Duty Type	Block	Report Time	Start Place	Start Time	End Time	End Place	Clear Time	Paid Time	Seat Time
SPL	2064	4:27	WEST	4:32	8:33	83MC			
	CAR		83MC	8:33	8:45	WEST	8:45		
	CAR	11:04	WEST	11:09	11:21	83MC			
	2070		83MC	11:21	15:18	DSTC			
	CAR		DSTC	15:18	15:32	WEST	15:32	8h46	7h00

Sign-on	4:27	Car Pull			29 / West / 35 / 20161420				
		83rd Ave & McDowell Rd.....		8:33	Pima Park.....				13:44
Block	2064	West Transit Facility.....		8:45	Scottsdale Rd & Thomas Rd.....				13:49
					56th St & Thomas Rd.....				13:55
Pull Out		Split break		8:45	44th St & Thomas Rd.....				14:03
West Transit Facility.....	4:47				24th St & Thomas Rd.....				14:15
93rd Ave & Thomas Rd.....	4:59				Central Ave & Thomas Rd.....				14:28
		<i>17 / East / 132 / 20160967</i>			19th Ave & Thomas Rd.....				14:38
		<i>83rd Ave & McDowell Rd.....</i>		8:33	35th Ave & Thomas Rd.....				14:49
29 / East / 31 / 20161513		<i>67th Ave & McDowell Rd.....</i>		8:40	51st Ave & Thomas Rd.....				14:58
93rd Ave & Thomas Rd.....	4:59	<i>43rd Ave & McDowell Rd.....</i>		8:54	67th Ave & Thomas Rd.....				15:07
Thomas Rd at Desert Sky TC...	5:04	<i>19th Ave & McDowell Rd.....</i>		9:10	Desert Sky TC.....				15:18
67th Ave & Thomas Rd.....	5:09	<i>Central Ave & McDowell Rd....</i>		9:20					
51st Ave & Thomas Rd.....	5:17	<i>24th St & McDowell Rd.....</i>		9:34	Travel by				CAR
35th Ave & Thomas Rd.....	5:24	<i>44th St & McDowell Rd.....</i>		9:46					
19th Ave & Thomas Rd.....	5:34	<i>52nd St & McDowell Rd.....</i>		9:50	Car Pull				
Central Ave & Thomas Rd.....	5:44	<i>Scottsdale Rd & McDowell Rd</i>		9:58	Desert Sky TC.....				15:18
24th St & Thomas Rd.....	5:54	<i>Pima Rd & McDowell Rd.....</i>		10:06	West Transit Facility.....				15:32
44th St & Thomas Rd.....	6:03								
56th St & Thomas Rd.....	6:08	Sign-on		11:04					
Scottsdale Rd & Thomas Rd....	6:15				29 / East / 31 / 20161107				
Pima Park.....	6:22	Travel by		CAR	Thomas Rd at Desert Sky TC..				16:04
					67th Ave & Thomas Rd.....				16:13
29 / West / 35 / 20161499		Car Pull			51st Ave & Thomas Rd.....				16:22
Pima Park.....	6:35	West Transit Facility.....		11:09	35th Ave & Thomas Rd.....				16:30
Scottsdale Rd & Thomas Rd.....	6:39	83rd Ave & McDowell Rd.....		11:21	19th Ave & Thomas Rd.....				16:41
56th St & Thomas Rd.....	6:45				Central Ave & Thomas Rd.....				16:52
44th St & Thomas Rd.....	6:53	Block		2070	24th St & Thomas Rd.....				17:04
24th St & Thomas Rd.....	7:03				44th St & Thomas Rd.....				17:22
Central Ave & Thomas Rd.....	7:17	Deadhead			56th St & Thomas Rd.....				17:30
19th Ave & Thomas Rd.....	7:26	83rd Ave & McDowell Rd.....		11:21	Scottsdale Rd & Thomas Rd...				17:37
35th Ave & Thomas Rd.....	7:37	Thomas Rd at Desert Sky TC..		11:29	<i>Pima Park.....</i>				17:47
51st Ave & Thomas Rd.....	7:45								
67th Ave & Thomas Rd.....	7:52	29 / East / 31 / 20161175							
Desert Sky TC.....	8:00	Thomas Rd at Desert Sky TC..		11:56					
		67th Ave & Thomas Rd.....		12:03					
Deadhead		51st Ave & Thomas Rd.....		12:10					
Desert Sky TC.....	8:00	35th Ave & Thomas Rd.....		12:17					
83rd Ave & McDowell Rd.....	8:08	19th Ave & Thomas Rd.....		12:27					
		Central Ave & Thomas Rd.....		12:39					
Travel by	CAR	24th St & Thomas Rd.....		12:51					
		44th St & Thomas Rd.....		13:07					
		56th St & Thomas Rd.....		13:13					
		Scottsdale Rd & Thomas Rd.....		13:19					
		Pima Park.....		13:28					

Phoenix West

Effective: 01/22/2024

2198

Weekday

Duty Type	Block	Report Time	Start Place	Start Time	End Time	End Place	Clear Time	Paid Time	Seat Time
SPL	2066	4:32	WEST	4:37	9:32	WEST	9:32		
	2136	11:59	WEST	12:04	16:01	83MC			
	CAR		83MC	16:01	16:13	WEST	16:13	9h14	7h51

Sign-on	4:32	17 / West / 124 / 20161222				17 / West / 125 / 20161566			
		44th St & McDowell Rd.....	8:19			Pima Rd & McDowell Rd.....	14:30		
Block	2066	24th St & McDowell Rd.....	8:34			Scottsdale Rd & McDowell Rd....	14:37		
		Central Ave & McDowell Rd.....	8:47			52nd St & McDowell Rd.....	14:45		
Pull Out		19th Ave & McDowell Rd.....	8:55			44th St & McDowell Rd.....	14:49		
West Transit Facility.....	4:52	43rd Ave & McDowell Rd.....	9:12			24th St & McDowell Rd.....	15:04		
32nd St & Indian School Rd....	5:43	-----	-----			Central Ave & McDowell Rd.....	15:17		
		Pull In				19th Ave & McDowell Rd.....	15:25		
41 / West / 139 / 20161929		43rd Ave & McDowell Rd.....	9:12			43rd Ave & McDowell Rd.....	15:42		
32nd St & Indian School Rd....	5:43	West Transit Facility.....	9:32			67th Ave & McDowell Rd.....	15:54		
24th St & Indian School Rd.....	5:48	-----	-----			83rd Ave & McDowell Rd.....	16:01		
Central Ave & Indian School Rd.	6:00	Split break		9:32					
Central Ave & Indian School Rd.	6:04	-----	-----			Travel by		CAR	
19th Ave & Indian School Rd.....	6:12	Sign-on		11:59					
43rd Ave & Indian School Rd.....	6:28	-----	-----			Car Pull			
59th Ave & Indian School Rd...	6:38	Block		2136		83rd Ave & McDowell Rd.....	16:01		
		-----	-----			West Transit Facility.....	16:13		
Deadhead		Pull Out							
59th Ave & Indian School Rd...	6:38	West Transit Facility.....	12:19			41 / East / 172 / 20161942			
59th Ave & Indian School Rd...	6:44	83rd Ave & McDowell Rd.....	12:33			107th Ave & Indian School Rd.	16:25		
		-----	-----			83rd Ave & Indian School Rd..	16:35		
41 / East / 137 / 20161892		17 / East / 132 / 20160978				59th Ave & Indian School Rd...	16:47		
59th Ave & Indian School Rd...	6:56	83rd Ave & McDowell Rd.....	12:33			43rd Ave & Indian School Rd..	16:56		
43rd Ave & Indian School Rd.....	7:05	67th Ave & McDowell Rd.....	12:40			19th Ave & Indian School Rd...	17:10		
19th Ave & Indian School Rd.....	7:22	43rd Ave & McDowell Rd.....	12:54			Central Ave & Indian School R	17:20		
Central Ave & Indian School Rd.	7:30	19th Ave & McDowell Rd.....	13:10			Central Ave & Indian School R	17:24		
Central Ave & Indian School Rd.	7:34	Central Ave & McDowell Rd.....	13:20			24th St & Indian School Rd....	17:37		
24th St & Indian School Rd.....	7:48	24th St & McDowell Rd.....	13:35			32nd St & Indian School Rd....	17:42		
32nd St & Indian School Rd....	7:53	44th St & McDowell Rd.....	13:47			44th St & Indian School Rd....	17:48		
		52nd St & McDowell Rd.....	13:51			56th St & Indian School Rd....	17:54		
Deadhead		Scottsdale Rd & McDowell Rd....	14:00			Scottsdale Rd & Indian Schoo	18:00		
32nd St & Indian School Rd....	7:53	Pima Rd & McDowell Rd.....	14:08			Granite Reef Rd & Indian Sch	18:08		
44th St & McDowell Rd.....	8:03	-----	-----						
		Deadhead							
		Pima Rd & McDowell Rd.....	14:08						
		Pima Rd & McDowell Rd.....	14:15						

Phoenix West

Effective: 01/22/2024

2199
Weekday

Duty Type	Block	Report Time	Start Place	Start Time	End Time	End Place	Clear Time	Paid Time	Seat Time
SPL	2074	4:47	WEST	4:52	10:59	WEST	10:59		
	CAR	13:30	WEST	13:35	13:48	83IN			
	2092		83IN	13:48	17:12	WEST	17:12	9h54	7h40

Sign-on	4:47	Deadhead			Block				2092
		44th St & Thomas Rd.....		8:23					
Block	2074	32nd St & Indian School Rd....		8:30	Deadhead				
					83rd Ave & Indian School Rd..				13:48
					59th Ave & Indian School Rd...				14:02
Pull Out		41 / West / 141 / 20161917							
West Transit Facility.....	5:07	32nd St & Indian School Rd....		9:34					
Pima Park.....	5:57	24th St & Indian School Rd.....		9:41	41 / East / 137 / 20161881				
		Central Ave & Indian School Rd.		9:55	59th Ave & Indian School Rd...				14:15
		Central Ave & Indian School Rd.		9:59	43rd Ave & Indian School Rd....				14:24
29 / West / 134 / 20161507		19th Ave & Indian School Rd.....		10:08	19th Ave & Indian School Rd.....				14:40
Pima Park.....	5:57	43rd Ave & Indian School Rd....		10:24	Central Ave & Indian School Rd.				14:50
Scottsdale Rd & Thomas Rd.....	6:01	59th Ave & Indian School Rd.....		10:34	Central Ave & Indian School Rd.				14:54
56th St & Thomas Rd.....	6:06	83rd Ave & Indian School Rd..		10:47	24th St & Indian School Rd.....				15:07
44th St & Thomas Rd.....	6:13				32nd St & Indian School Rd....				15:12
24th St & Thomas Rd.....	6:23								
Central Ave & Thomas Rd.....	6:37	Pull In							
19th Ave & Thomas Rd.....	6:46	83rd Ave & Indian School Rd..		10:47	Deadhead				
35th Ave & Thomas Rd.....	6:57	West Transit Facility.....		10:59	32nd St & Indian School Rd....				15:12
51st Ave & Thomas Rd.....	7:05				44th St & Thomas Rd.....				15:19
		Split break		10:59					
Deadhead					29 / West / 134 / 20161282				
51st Ave & Thomas Rd.....	7:05	Sign-on		13:30	44th St & Thomas Rd.....				15:40
51st Ave & Thomas Rd.....	7:11				24th St & Thomas Rd.....				15:53
		Travel by		CAR	Central Ave & Thomas Rd.....				16:12
29 / East / 133 / 20161354					19th Ave & Thomas Rd.....				16:23
51st Ave & Thomas Rd.....	7:22	Car Pull			35th Ave & Thomas Rd.....				16:39
35th Ave & Thomas Rd.....	7:31	West Transit Facility.....		13:35	51st Ave & Thomas Rd.....				16:50
19th Ave & Thomas Rd.....	7:46	83rd Ave & Indian School Rd..		13:48					
Central Ave & Thomas Rd.....	7:59				Pull In				
24th St & Thomas Rd.....	8:09				51st Ave & Thomas Rd.....				16:50
44th St & Thomas Rd.....	8:23				West Transit Facility.....				17:12

Phoenix West

Effective: 01/22/2024

2200
Weekday

Duty Type	Block	Report Time	Start Place	Start Time	End Time	End Place	Clear Time	Paid Time	Seat Time
SPL	2075	4:48	WEST	4:53	9:14	WEST	9:14		
	CAR	12:03	WEST	12:08	12:28	43LB			
	2062		43LB	12:28	15:30	43LB			
	CAR		43LB	15:30	15:51	WEST	15:51	8h14	6h58

Sign-on	4:48	Pull In				43 / South / 207 / 20161171			
		44th St & Thomas Rd.....		8:39		43rd Ave & Union Hills Dr.....		14:19	
Block	2075	West Transit Facility.....		9:14		43rd Ave & Thunderbird Rd.....		14:26	
						43rd Ave & Dunlap Ave.....		14:37	
Pull Out		Split break		9:14		43rd Ave & Glendale Ave.....		14:46	
West Transit Facility.....	5:08					43rd Ave & Camelback Rd.....		14:55	
Pima Park.....	6:13	Sign-on		12:03		43rd Ave & Thomas Rd.....		15:05	
						43rd Ave & Van Buren St.....		15:16	
29 / West / 134 / 20161502		Travel by		CAR		43rd Ave & Lower Buckeye Rd		15:24	
Pima Park.....	6:13								
Scottsdale Rd & Thomas Rd.....	6:17	Car Pull				Deadhead			
56th St & Thomas Rd.....	6:22	West Transit Facility.....		12:08		43rd Ave & Lower Buckeye Rd		15:24	
44th St & Thomas Rd.....	6:29	43rd Ave & Lower Buckeye Rd		12:28		43rd Ave & Lower Buckeye Rd		15:30	
24th St & Thomas Rd.....	6:39								
Central Ave & Thomas Rd.....	6:53	Block		2062		Travel by		CAR	
19th Ave & Thomas Rd.....	7:02								
35th Ave & Thomas Rd.....	7:13	43 / North / 182 / 20161083				Car Pull			
51st Ave & Thomas Rd.....	7:21	43rd Ave & Lower Buckeye Rd		12:42		43rd Ave & Lower Buckeye Rd		15:30	
		43rd Ave & Van Buren St.....		12:49		West Transit Facility.....		15:51	
		43rd Ave & Thomas Rd.....		12:59					
Deadhead		43rd Ave & Camelback Rd.....		13:10		43 / North / 182 / 20161090			
51st Ave & Thomas Rd.....	7:21	43rd Ave & Glendale Ave.....		13:19		43rd Ave & Lower Buckeye Rd		15:40	
51st Ave & Thomas Rd.....	7:27	43rd Ave & Dunlap Ave.....		13:28		43rd Ave & Van Buren St.....		15:47	
		43rd Ave & Thunderbird Rd.....		13:37		43rd Ave & Thomas Rd.....		15:59	
29 / East / 133 / 20161358		43rd Ave & Union Hills Dr.....		13:46		43rd Ave & Camelback Rd.....		16:10	
51st Ave & Thomas Rd.....	7:38					43rd Ave & Glendale Ave.....		16:19	
35th Ave & Thomas Rd.....	7:47					43rd Ave & Dunlap Ave.....		16:28	
19th Ave & Thomas Rd.....	8:02	Deadhead				43rd Ave & Thunderbird Rd.....		16:40	
Central Ave & Thomas Rd.....	8:15	43rd Ave & Union Hills Dr.....		13:46		43rd Ave & Union Hills Dr.....		16:50	
24th St & Thomas Rd.....	8:25	43rd Ave & Union Hills Dr.....		13:53					
44th St & Thomas Rd.....	8:39								

Phoenix West

Effective: 01/22/2024

2201
Weekday

Duty Type	Block	Report Time	Start Place	Start Time	End Time	End Place	Clear Time	Paid Time	Seat Time
SPL	2076	4:48	WEST	4:53	9:05	WEST	9:05		
	CAR	11:55	WEST	12:00	12:18	107I-E			
	2036		107I-E	12:18	16:57	107I-E			
	CAR		107I-E	16:57	17:14	WEST	17:14	9h36	8h19

Sign-on	4:48	Travel by	CAR	41 / West / 724 / 20161828	
Block	2076	Car Pull		Granite Reef Rd & Indian Sch	14:51
Pull Out		West Transit Facility.....	12:00	Scottsdale Rd & Indian School	14:56
West Transit Facility.....	5:08	107th Ave & Indian School Rd.	12:18	56th St & Indian School Rd.....	15:03
32nd St & Indian School Rd....	5:59	Block	2036	44th St & Indian School Rd.....	15:09
				32nd St & Indian School Rd.....	15:16
				24th St & Indian School Rd.....	15:23
				Central Ave & Indian School Rd.	15:40
				Central Ave & Indian School Rd.	15:44
				19th Ave & Indian School Rd.....	15:53
				43rd Ave & Indian School Rd....	16:14
				59th Ave & Indian School Rd.....	16:25
				83rd Ave & Indian School Rd....	16:38
				107th Ave & Indian School Rd.	16:51
				Deadhead	
				107th Ave & Indian School Rd.	16:51
				107th Ave & Indian School Rd.	16:57
Deadhead		Travel by	CAR		
59th Ave & Indian School Rd...	6:58	Car Pull		107th Ave & Indian School Rd.	16:57
59th Ave & Indian School Rd...	7:04	West Transit Facility.....		West Transit Facility.....	17:14
				41 / East / 172 / 20161949	
				107th Ave & Indian School Rd.	12:44
				83rd Ave & Indian School Rd....	12:53
				59th Ave & Indian School Rd.....	13:05
				43rd Ave & Indian School Rd....	13:14
				19th Ave & Indian School Rd.....	13:30
				Central Ave & Indian School Rd.	13:40
				Central Ave & Indian School Rd.	13:44
				24th St & Indian School Rd.....	13:58
				32nd St & Indian School Rd.....	14:03
				44th St & Indian School Rd.....	14:09
				56th St & Indian School Rd.....	14:15
				Scottsdale Rd & Indian School	14:21
				Granite Reef Rd & Indian Sch	14:29
				Deadhead	
				Granite Reef Rd & Indian Sch	14:29
				Pima Rd & Chaparral Rd.....	14:33
				Deadhead	
				Pima Rd & Chaparral Rd.....	14:47
				Granite Reef Rd & Indian Sch	14:51
				41 / East / 137 / 20161887	
				59th Ave & Indian School Rd...	7:16
				43rd Ave & Indian School Rd....	7:25
				19th Ave & Indian School Rd.....	7:42
				Central Ave & Indian School Rd.	7:50
				Central Ave & Indian School Rd.	7:54
				24th St & Indian School Rd.....	8:08
				32nd St & Indian School Rd....	8:13
				Pull In	
				32nd St & Indian School Rd....	8:13
				West Transit Facility.....	9:05
				Split break	9:05
				Sign-on	11:55
				41 / East / 172 / 20161939	
				<i>107th Ave & Indian School Rd.</i>	<i>17:35</i>
				<i>83rd Ave & Indian School Rd..</i>	<i>17:45</i>
				<i>59th Ave & Indian School Rd...</i>	<i>17:57</i>
				<i>43rd Ave & Indian School Rd..</i>	<i>18:06</i>
				<i>19th Ave & Indian School Rd...</i>	<i>18:20</i>
				<i>Central Ave & Indian School R</i>	<i>18:30</i>
				<i>Central Ave & Indian School R</i>	<i>18:34</i>
				<i>24th St & Indian School Rd.....</i>	<i>18:47</i>
				<i>32nd St & Indian School Rd....</i>	<i>18:52</i>
				<i>44th St & Indian School Rd.....</i>	<i>18:58</i>
				<i>56th St & Indian School Rd....</i>	<i>19:04</i>
				<i>Scottsdale Rd & Indian Schoo</i>	<i>19:10</i>
				<i>Granite Reef Rd & Indian Sch</i>	<i>19:18</i>

Phoenix West

Effective: 01/22/2024

2202

Weekday

Duty Type	Block	Report Time	Start Place	Start Time	End Time	End Place	Clear Time	Paid Time	Seat Time
SPL	2077	4:49	WEST	4:54	9:03	WEST	9:03		
	CAR	10:51	WEST	10:56	11:04	83VB			
	2033		83VB	11:04	16:51	83VB			
	CAR		83VB	16:51	16:58	WEST	16:58	10h21	8h32

Sign-on	4:49	Sign-on		10:51	3 / East / 86 / 20162084				
Block	2077	Travel by		CAR	4th St & La Canada Blvd..... 16:23				
Pull Out		Car Pull			Avondale Civic Center..... 16:37				
West Transit Facility..... 5:09		West Transit Facility..... 10:56			99th Ave & Van Buren St..... 16:43				
44th St & McDowell Rd..... 5:39		83rd Ave & Van Buren St..... 11:04			83rd Ave & Van Buren St..... 16:51				
-----		Block		2033	Travel by CAR				
17 / West / 124 / 20161214		Car Pull			Car Pull				
44th St & McDowell Rd..... 5:39		83rd Ave & Van Buren St..... 16:51			West Transit Facility..... 16:58				
24th St & McDowell Rd..... 5:54		3 / West / 546 / 20162120							
Central Ave & McDowell Rd..... 6:07		83rd Ave & Van Buren St..... 11:04							
19th Ave & McDowell Rd..... 6:15		99th Ave & Van Buren St..... 11:12			67th Ave & Van Buren St..... 16:56				
43rd Ave & McDowell Rd..... 6:32		Avondale Civic Center..... 11:20			51st Ave & Van Buren St..... 17:09				
-----		4th St & La Canada Blvd..... 11:31			35th Ave & Van Buren St..... 17:20				
Deadhead		3 / East / 86 / 20162066			19th Ave & Van Buren St..... 17:31				
43rd Ave & McDowell Rd..... 6:32		4th St & La Canada Blvd..... 11:53			Central Ave & Van Buren St.... 17:40				
43rd Ave & McDowell Rd..... 6:37		Avondale Civic Center..... 12:07			24th St & Van Buren St..... 17:54				
-----		99th Ave & Van Buren St..... 12:13			44th St & Van Buren St..... 18:03				
17 / East / 123 / 20161112		83rd Ave & Van Buren St..... 12:21			Galvin Pkwy & Van Buren St... 18:10				
43rd Ave & McDowell Rd..... 6:44		67th Ave & Van Buren St..... 12:26			Phoenix Zoo..... 18:14				
19th Ave & McDowell Rd..... 7:00		51st Ave & Van Buren St..... 12:39			-----				
Central Ave & McDowell Rd..... 7:10		35th Ave & Van Buren St..... 12:50			3 / West / 546 / 20162155				
24th St & McDowell Rd..... 7:24		19th Ave & Van Buren St..... 13:01			Phoenix Zoo..... 18:45				
44th St & McDowell Rd..... 7:36		Central Ave & Van Buren St..... 13:10			Galvin Pkwy & Van Buren St... 18:48				
-----		24th St & Van Buren St..... 13:24			44th St & Van Buren St..... 18:56				
Deadhead		44th St & Van Buren St..... 13:33			24th St & Van Buren St..... 19:06				
44th St & McDowell Rd..... 7:36		Galvin Pkwy & Van Buren St..... 13:40			2nd Ave & Van Buren St..... 19:18				
44th St & Thomas Rd..... 7:41		Phoenix Zoo..... 13:44			19th Ave & Van Buren St..... 19:25				
-----		3 / West / 546 / 20162138			35th Ave & Van Buren St..... 19:34				
29 / West / 134 / 20161256		51st Ave & Van Buren St..... 19:42			51st Ave & Van Buren St..... 19:42				
44th St & Thomas Rd..... 7:49		67th Ave & Van Buren St..... 19:49			67th Ave & Van Buren St..... 19:49				
24th St & Thomas Rd..... 7:59		Phoenix Zoo..... 14:09			83rd Ave & Van Buren St..... 19:56				
Central Ave & Thomas Rd..... 8:13		Galvin Pkwy & Van Buren St..... 14:12			99th Ave & Van Buren St..... 20:03				
19th Ave & Thomas Rd..... 8:22		44th St & Van Buren St..... 14:20			Avondale Civic Center..... 20:10				
35th Ave & Thomas Rd..... 8:33		24th St & Van Buren St..... 14:33			4th St & La Canada Blvd..... 20:21				
51st Ave & Thomas Rd..... 8:41		2nd Ave & Van Buren St..... 14:48			-----				
-----		19th Ave & Van Buren St..... 14:57							
Pull In		35th Ave & Van Buren St..... 15:07							
51st Ave & Thomas Rd..... 8:41		51st Ave & Van Buren St..... 15:17							
West Transit Facility..... 9:03		67th Ave & Van Buren St..... 15:26							
-----		83rd Ave & Van Buren St..... 15:34							
Split break	9:03	99th Ave & Van Buren St..... 15:42							
-----		Avondale Civic Center..... 15:50							
-----		4th St & La Canada Blvd..... 16:01							

Phoenix West

Effective: 01/22/2024

2203

Weekday

Duty Type	Block	Report Time	Start Place	Start Time	End Time	End Place	Clear Time	Paid Time	Seat Time
SPL	2081	4:58	WEST	5:03	8:31	WEST	8:31		
	CAR	10:05	WEST	10:10	10:36	BA51			
	2051		BA51	10:36	16:32	BA51			
	CAR		BA51	16:32	17:08	WEST	17:08	10h36	8h21

Sign-on	4:58	Sign-on	10:05	51 / North / 206 / 20161324				
Block	2081	Travel by	CAR	51st Ave & Baseline Rd..... 13:48				
Pull Out		Car Pull		51st Ave & Lower Buckeye Rd... 13:56				
West Transit Facility..... 5:18		West Transit Facility..... 10:10		51st Ave & Van Buren St..... 14:03				
51st Ave & Thomas Rd..... 5:40		51st Ave & Baseline Rd..... 10:36		51st Ave & Thomas Rd..... 14:12				
<hr/>								
29 / East / 31 / 20161344		Block	2051	51st Ave & Camelback Rd..... 14:21				
51st Ave & Thomas Rd..... 5:40				51st Ave & Glendale Ave..... 14:27				
35th Ave & Thomas Rd..... 5:47				51st Ave & Olive Ave..... 14:35				
19th Ave & Thomas Rd..... 5:57				ASU West Campus..... 14:49				
Central Ave & Thomas Rd..... 6:07				<hr/>				
24th St & Thomas Rd..... 6:17				51 / North / 206 / 20161314				
44th St & Thomas Rd..... 6:26				51st Ave & Baseline Rd..... 10:48				
56th St & Thomas Rd..... 6:31				51st Ave & Lower Buckeye Rd... 10:56				
Scottsdale Rd & Thomas Rd..... 6:38				51st Ave & Van Buren St..... 11:03				
Pima Park..... 6:45				51st Ave & Thomas Rd..... 11:12				
<hr/>								
29 / West / 134 / 20161486				51st Ave & Camelback Rd..... 11:21				
Pima Park..... 6:58				51st Ave & Thomas Rd..... 11:27				
Scottsdale Rd & Thomas Rd..... 7:03				51st Ave & Glendale Ave..... 11:27				
56th St & Thomas Rd..... 7:09				51st Ave & Olive Ave..... 11:35				
44th St & Thomas Rd..... 7:17				ASU West Campus..... 11:47				
24th St & Thomas Rd..... 7:27				<hr/>				
Central Ave & Thomas Rd..... 7:41				51 / South / 27 / 20161024				
19th Ave & Thomas Rd..... 7:50				Travel by				
35th Ave & Thomas Rd..... 8:01				CAR				
51st Ave & Thomas Rd..... 8:09				Car Pull				
<hr/>								
Pull In		Deadhead		51st Ave & Baseline Rd..... 16:32				
51st Ave & Thomas Rd..... 8:09		51st Ave & Baseline Rd..... 13:30		West Transit Facility..... 17:08				
West Transit Facility..... 8:31		51st Ave & Baseline Rd..... 13:35		<hr/>				
Split break	8:31			51 / North / 206 / 20161329				
				51st Ave & Baseline Rd..... 16:48				
				51st Ave & Lower Buckeye Rd 16:56				
				51st Ave & Van Buren St..... 17:04				
				51st Ave & Thomas Rd..... 17:15				
				51st Ave & Camelback Rd..... 17:25				
				51st Ave & Glendale Ave..... 17:33				
				51st Ave & Olive Ave..... 17:40				
				ASU West Campus..... 17:52				

Phoenix West

Effective: 01/22/2024

2204

Weekday

Duty Type	Block	Report Time	Start Place	Start Time	End Time	End Place	Clear Time	Paid Time	Seat Time
SPL	2082	5:01	WEST	5:06	9:46	WEST	9:46		
	CAR	12:30	WEST	12:35	12:48	83IN			
	2024		83IN	12:48	17:10	WEST	17:10	9h25	7h55

Sign-on	5:01	17 / East / 123 / 20161117	Deadhead
		43rd Ave & McDowell Rd.....	8:04
Block	2082	19th Ave & McDowell Rd.....	Granite Reef Rd & Indian Sch
		Central Ave & McDowell Rd.....	14:49
		24th St & McDowell Rd.....	Pima Rd & Chaparral Rd.....
			14:53
Pull Out			Deadhead
West Transit Facility.....	5:21	44th St & McDowell Rd.....	8:56
59th Ave & Indian School Rd...	5:38		Pima Rd & Chaparral Rd.....
			15:05
			Granite Reef Rd & Indian Sch
			15:09
		Pull In	
41 / East / 137 / 20161896		44th St & McDowell Rd.....	8:56
59th Ave & Indian School Rd...	5:38	West Transit Facility.....	9:46
43rd Ave & Indian School Rd....	5:47		41 / West / 141 / 20161827
19th Ave & Indian School Rd.....	6:02	Split break	Granite Reef Rd & Indian Sch
Central Ave & Indian School Rd.	6:10		15:14
Central Ave & Indian School Rd.	6:14	Sign-on	56th St & Indian School Rd.....
24th St & Indian School Rd.....	6:23		15:21
32nd St & Indian School Rd....	6:28	Travel by	44th St & Indian School Rd.....
		CAR	15:27
			32nd St & Indian School Rd.....
			15:34
			24th St & Indian School Rd.....
			15:41
			Central Ave & Indian School Rd.
			16:00
			Central Ave & Indian School Rd.
			16:04
Deadhead		Car Pull	19th Ave & Indian School Rd.....
32nd St & Indian School Rd...	6:28	West Transit Facility.....	16:13
44th St & McDowell Rd.....	6:38	83rd Ave & Indian School Rd..	43rd Ave & Indian School Rd....
			16:34
			59th Ave & Indian School Rd.....
			16:45
			83rd Ave & Indian School Rd..
			16:58
17 / West / 124 / 20161216		Block	
44th St & McDowell Rd.....	6:59		Pull In
24th St & McDowell Rd.....	7:14	41 / East / 172 / 20161855	83rd Ave & Indian School Rd..
Central Ave & McDowell Rd.....	7:27	83rd Ave & Indian School Rd..	16:58
19th Ave & McDowell Rd.....	7:35	59th Ave & Indian School Rd.....	West Transit Facility.....
43rd Ave & McDowell Rd.....	7:52	43rd Ave & Indian School Rd.....	17:10
		19th Ave & Indian School Rd.....	
		Central Ave & Indian School Rd.	
		Central Ave & Indian School Rd.	
		24th St & Indian School Rd.....	
		32nd St & Indian School Rd.....	
		44th St & Indian School Rd.....	
		56th St & Indian School Rd.....	
		Scottsdale Rd & Indian School	
		Granite Reef Rd & Indian Sch	14:49

Phoenix West

Effective: 01/22/2024

2205
Weekday

Duty Type	Block	Report Time	Start Place	Start Time	End Time	End Place	Clear Time	Paid Time	Seat Time
SPL	2084	5:02	WEST	5:07	8:42	WEST	8:42		
	CAR	11:11	WEST	11:16	11:26	75BU			
	2031		75BU	11:26	15:05	75BU			
	CAR		75BU	15:05	15:15	WEST	15:15	7h44	6h39

Sign-on	5:02	Sign-on		11:11	13 / East / 36 / 20161669				
					75th Ave & Buckeye Rd.....				13:22
Block	2084	Travel by		CAR	59th Ave & Buckeye Rd.....				13:27
					43rd Ave & Buckeye Rd.....				13:33
Pull Out		Car Pull			19th Ave & Buckeye Rd.....				13:44
West Transit Facility.....	5:22	West Transit Facility.....		11:16	Central Ave & Buckeye Rd.....				13:51
44th St & Thomas Rd.....	5:57	75th Ave & Buckeye Rd.....		11:26	16th St & Buckeye Rd.....				13:58
					Sky Harbor West.....				14:07

29 / West / 134 / 20161253		Block		2031	13 / West / 120 / 20161301				
44th St & Thomas Rd.....	5:57				Sky Harbor West.....				14:13
24th St & Thomas Rd.....	6:07	13 / East / 36 / 20161665			16th St & Buckeye Rd.....				14:21
Central Ave & Thomas Rd.....	6:21	75th Ave & Buckeye Rd.....		11:26	Central Ave & Buckeye Rd.....				14:28
19th Ave & Thomas Rd.....	6:30	59th Ave & Buckeye Rd.....		11:30	19th Ave & Buckeye Rd.....				14:35
35th Ave & Thomas Rd.....	6:41	43rd Ave & Buckeye Rd.....		11:36	43rd Ave & Buckeye Rd.....				14:48
51st Ave & Thomas Rd.....	6:49	19th Ave & Buckeye Rd.....		11:46	59th Ave & Buckeye Rd.....				14:55
		Central Ave & Buckeye Rd.....		11:53	75th Ave & Buckeye Rd.....				15:05
Deadhead		16th St & Buckeye Rd.....		11:59					
51st Ave & Thomas Rd.....	6:49	Sky Harbor West.....		12:07					
51st Ave & Thomas Rd.....	6:55				Travel by				CAR
		13 / West / 120 / 20161345							
29 / East / 133 / 20161353		Sky Harbor West.....		12:13	Car Pull				
51st Ave & Thomas Rd.....	7:06	16th St & Buckeye Rd.....		12:21	75th Ave & Buckeye Rd.....				15:05
35th Ave & Thomas Rd.....	7:15	Central Ave & Buckeye Rd.....		12:27	West Transit Facility.....				15:15
19th Ave & Thomas Rd.....	7:30	19th Ave & Buckeye Rd.....		12:34					
Central Ave & Thomas Rd.....	7:43	43rd Ave & Buckeye Rd.....		12:47	13 / East / 36 / 20161672				
24th St & Thomas Rd.....	7:53	59th Ave & Buckeye Rd.....		12:54	75th Ave & Buckeye Rd.....				15:22
44th St & Thomas Rd.....	8:07	75th Ave & Buckeye Rd.....		13:01	59th Ave & Buckeye Rd.....				15:27
					43rd Ave & Buckeye Rd.....				15:33
Pull In		Deadhead			19th Ave & Buckeye Rd.....				15:44
44th St & Thomas Rd.....	8:07	75th Ave & Buckeye Rd.....		13:01	Central Ave & Buckeye Rd.....				15:51
West Transit Facility.....	8:42	75th Ave & Buckeye Rd.....		13:05	16th St & Buckeye Rd.....				15:58
					Sky Harbor West.....				16:07
Split break	8:42								

Phoenix West

Effective: 01/22/2024

2206

Weekday

Duty Type	Block	Report Time	Start Place	Start Time	End Time	End Place	Clear Time	Paid Time	Seat Time
SPL	2086	5:03	WEST	5:08	9:30	WEST	9:30		
	CAR	12:21	WEST	12:26	12:40	DSTC			
	2124		DSTC	12:40	17:07	WEST	17:07	9h13	8h05

Sign-on	5:03	Pull In			Deadhead				
		44th St & Thomas Rd.....		8:55	44th St & Thomas Rd.....			14:00	
Block	2086	West Transit Facility.....		9:30	44th St & McDowell Rd.....			14:05	
Pull Out		Split break		9:30	17 / West / 124 / 20161233				
West Transit Facility.....	5:23				44th St & McDowell Rd.....			14:19	
Pima Park.....	6:28	Sign-on		12:21	24th St & McDowell Rd.....			14:34	
					Central Ave & McDowell Rd.....			14:47	
29 / West / 134 / 20161496		Travel by		CAR	19th Ave & McDowell Rd.....			14:55	
Pima Park.....	6:28				43rd Ave & McDowell Rd.....			15:12	
Scottsdale Rd & Thomas Rd.....	6:32	Car Pull							
56th St & Thomas Rd.....	6:37	West Transit Facility.....		12:26	Deadhead				
44th St & Thomas Rd.....	6:45	Desert Sky TC.....		12:40	43rd Ave & McDowell Rd.....			15:12	
24th St & Thomas Rd.....	6:55				43rd Ave & McDowell Rd.....			15:17	
Central Ave & Thomas Rd.....	7:09	Block		2124					
19th Ave & Thomas Rd.....	7:18				17 / East / 123 / 20161130				
35th Ave & Thomas Rd.....	7:29	Deadhead			43rd Ave & McDowell Rd.....			15:24	
51st Ave & Thomas Rd.....	7:37	Desert Sky TC.....		12:40	19th Ave & McDowell Rd.....			15:40	
		51st Ave & Thomas Rd.....		12:52	Central Ave & McDowell Rd.....			15:50	
Deadhead					24th St & McDowell Rd.....			16:05	
51st Ave & Thomas Rd.....	7:37	29 / East / 133 / 20161368			44th St & McDowell Rd.....			16:17	
51st Ave & Thomas Rd.....	7:43	51st Ave & Thomas Rd.....		13:03					
29 / East / 133 / 20161362		35th Ave & Thomas Rd.....		13:10	Pull In				
51st Ave & Thomas Rd.....	7:54	19th Ave & Thomas Rd.....		13:20	44th St & McDowell Rd.....			16:17	
35th Ave & Thomas Rd.....	8:03	Central Ave & Thomas Rd.....		13:32	West Transit Facility.....			17:07	
19th Ave & Thomas Rd.....	8:18	24th St & Thomas Rd.....		13:44					
Central Ave & Thomas Rd.....	8:31	44th St & Thomas Rd.....		14:00					
24th St & Thomas Rd.....	8:41								
44th St & Thomas Rd.....	8:55								

Phoenix West

Effective: 01/22/2024

2207
Weekday

Duty Type	Block	Report Time	Start Place	Start Time	End Time	End Place	Clear Time	Paid Time	Seat Time
SPL	2091	5:08	WEST	5:13	9:25	WEST	9:25		
	CAR	12:16	WEST	12:21	12:35	94TH			
	2045		94TH	12:35	17:16	WEST	17:16	9h17	7h45

Sign-on	5:08	Pull In				29 / East / 31 / 20161556			
		32nd St & Indian School Rd....		8:33		93rd Ave & Thomas Rd.....			13:07
Block	2091	West Transit Facility.....		9:25		Thomas Rd at Desert Sky TC....			13:13
						67th Ave & Thomas Rd.....			13:20
Pull Out		Split break		9:25		51st Ave & Thomas Rd.....			13:27
West Transit Facility.....	5:28					35th Ave & Thomas Rd.....			13:34
32nd St & Indian School Rd....	6:19	Sign-on		12:16		19th Ave & Thomas Rd.....			13:44
						Central Ave & Thomas Rd.....			13:56
41 / West / 139 / 20161927		Travel by		CAR		24th St & Thomas Rd.....			14:08
32nd St & Indian School Rd....	6:19					44th St & Thomas Rd.....			14:24
24th St & Indian School Rd.....	6:26	Car Pull				56th St & Thomas Rd.....			14:31
Central Ave & Indian School Rd.	6:40	West Transit Facility.....		12:21		Scottsdale Rd & Thomas Rd.....			14:38
Central Ave & Indian School Rd.	6:44	94th Av Layover.....		12:35		Pima Park.....			14:47
19th Ave & Indian School Rd.....	6:52								
43rd Ave & Indian School Rd.....	7:08	Block		2045		29 / West / 35 / 20161412			
59th Ave & Indian School Rd...	7:18					Pima Park.....			15:11
		Deadhead				Scottsdale Rd & Thomas Rd.....			15:16
Deadhead		94th Av Layover.....		13:06		56th St & Thomas Rd.....			15:23
59th Ave & Indian School Rd...	7:18	93rd Ave & Thomas Rd.....		13:07		44th St & Thomas Rd.....			15:32
59th Ave & Indian School Rd...	7:24					24th St & Thomas Rd.....			15:45
						Central Ave & Thomas Rd.....			16:04
41 / East / 137 / 20161890						19th Ave & Thomas Rd.....			16:15
59th Ave & Indian School Rd...	7:36					35th Ave & Thomas Rd.....			16:31
43rd Ave & Indian School Rd.....	7:45					51st Ave & Thomas Rd.....			16:42
19th Ave & Indian School Rd.....	8:02					67th Ave & Thomas Rd.....			16:51
Central Ave & Indian School Rd.	8:10					Desert Sky TC.....			17:02
Central Ave & Indian School Rd.	8:14								
24th St & Indian School Rd.....	8:28	Pull In				Desert Sky TC.....			17:02
32nd St & Indian School Rd....	8:33	West Transit Facility.....				West Transit Facility.....			17:16

Phoenix West

Effective: 01/22/2024

2208
Weekday

Duty Type	Block	Report Time	Start Place	Start Time	End Time	End Place	Clear Time	Paid Time	Seat Time
SPL	2093	5:14	WEST	5:19	8:47	WEST	8:47		
	CAR	11:43	WEST	11:48	12:02	94TH			
	2046		94TH	12:02	16:12	WEST	16:12	8h02	6h52

Sign-on	5:14	29 / West / 134 / 20161255				29 / East / 31 / 20161552			
		44th St & Thomas Rd.....		7:33		93rd Ave & Thomas Rd.....		12:03	
Block	2093	24th St & Thomas Rd.....		7:43		Thomas Rd at Desert Sky TC....		12:09	
		Central Ave & Thomas Rd.....		7:57		67th Ave & Thomas Rd.....		12:16	
Pull Out		19th Ave & Thomas Rd.....		8:06		51st Ave & Thomas Rd.....		12:23	
West Transit Facility.....	5:34	35th Ave & Thomas Rd.....		8:17		35th Ave & Thomas Rd.....		12:30	
51st Ave & Thomas Rd.....	5:56	51st Ave & Thomas Rd.....		8:25		19th Ave & Thomas Rd.....		12:40	
						Central Ave & Thomas Rd.....		12:52	
29 / East / 31 / 20161347		Pull In				24th St & Thomas Rd.....		13:04	
51st Ave & Thomas Rd.....	5:56	51st Ave & Thomas Rd.....		8:25		44th St & Thomas Rd.....		13:20	
35th Ave & Thomas Rd.....	6:03	West Transit Facility.....		8:47		56th St & Thomas Rd.....		13:26	
19th Ave & Thomas Rd.....	6:13					Scottsdale Rd & Thomas Rd.....		13:32	
Central Ave & Thomas Rd.....	6:23	Split break		8:47		Pima Park.....		13:41	
24th St & Thomas Rd.....	6:33								
44th St & Thomas Rd.....	6:42	Sign-on		11:43		29 / West / 35 / 20161415			
56th St & Thomas Rd.....	6:47	Travel by		CAR		Pima Park.....		14:14	
Scottsdale Rd & Thomas Rd.....	6:54					Scottsdale Rd & Thomas Rd.....		14:19	
Pima Park.....	7:01					56th St & Thomas Rd.....		14:26	
		Car Pull				44th St & Thomas Rd.....		14:35	
Deadhead		West Transit Facility.....		11:48		24th St & Thomas Rd.....		14:47	
Pima Park.....	7:01	94th Av Layover.....		12:02		Central Ave & Thomas Rd.....		15:00	
44th St & Thomas Rd.....	7:21					19th Ave & Thomas Rd.....		15:11	
		Block		2046		35th Ave & Thomas Rd.....		15:27	
						51st Ave & Thomas Rd.....		15:38	
		Deadhead				67th Ave & Thomas Rd.....		15:47	
		94th Av Layover.....		12:02		Desert Sky TC.....		15:58	
		93rd Ave & Thomas Rd.....		12:03					
						Pull In			
						Desert Sky TC.....		15:58	
						West Transit Facility.....		16:12	

Phoenix West

Effective: 01/22/2024

2209
Weekday

Duty Type	Block	Report Time	Start Place	Start Time	End Time	End Place	Clear Time	Paid Time	Seat Time
SPL	2094	5:17	WEST	5:22	8:15	WEST	8:15		
	CAR	10:04	WEST	10:09	10:20	51HD			
	2019		51HD	10:20	16:13	WEST	16:13	9h07	8h04

Sign-on	5:17	Block	2019	Deadhead					
Block	2094	Deadhead		51st Ave & Hadley St.....	13:18				
				59th Ave & Buckeye Rd.....	13:22				
Pull Out									
West Transit Facility.....	5:37			59th Ave & Buckeye Rd.....	13:22				
Pima Park.....	6:42	59 / North / 830 / 20161483		59th Ave & Van Buren St.....	13:24				
				59th Ave & Thomas Rd.....	13:33				
29 / West / 134 / 20161494				59th Ave & Camelback Rd.....	13:43				
Pima Park.....	6:42			59th Ave & Glendale Ave.....	13:54				
Scottsdale Rd & Thomas Rd.....	6:47			59th Ave & Olive Ave.....	14:05				
56th St & Thomas Rd.....	6:53			59th Ave & Thunderbird Rd.....	14:17				
44th St & Thomas Rd.....	7:01			59th Ave & Bell Rd.....	14:26				
24th St & Thomas Rd.....	7:11			59th Ave & Beardsley Rd.....	14:35				
Central Ave & Thomas Rd.....	7:25								
19th Ave & Thomas Rd.....	7:34			59 / South / 220 / 20161449					
35th Ave & Thomas Rd.....	7:45			59th Ave & Beardsley Rd.....	14:46				
51st Ave & Thomas Rd.....	7:53	59 / South / 220 / 20161443		59th Ave & Bell Rd.....	14:52				
				59th Ave & Beardsley Rd.....	11:48				
Pull In				59th Ave & Thunderbird Rd.....	14:58				
51st Ave & Thomas Rd.....	7:53			59th Ave & Olive Ave.....	15:13				
West Transit Facility.....	8:15			59th Ave & Glendale Ave.....	15:25				
				59th Ave & Camelback Rd.....	15:36				
Split break	8:15			59th Ave & Thomas Rd.....	15:47				
				59th Ave & Van Buren St.....	15:58				
Sign-on	10:04			59th Ave & Buckeye Rd.....	16:01				
Travel by	CAR			Pull In					
				59th Ave & Buckeye Rd.....	16:01				
Car Pull				West Transit Facility.....	16:13				
West Transit Facility.....	10:09	Deadhead							
51st Ave & Hadley St.....	10:20			59th Ave & Buckeye Rd.....	13:01				
				51st Ave & Hadley St.....	13:05				

Phoenix West

Effective: 01/22/2024

2210
Weekday

Duty Type	Block	Report Time	Start Place	Start Time	End Time	End Place	Clear Time	Paid Time	Seat Time
SPL	2096	5:19	WEST	5:24	9:06	WEST	9:06		
	CAR	11:51	WEST	11:56	12:10	DSTC			
	2101		DSTC	12:10	17:46	WEST	17:46	9h42	8h18

Sign-on	5:19	Sign-on		11:51	Deadhead				
					43rd Ave & McDowell Rd.....				14:52
Block	2096	Travel by		CAR	43rd Ave & McDowell Rd.....				14:57
Pull Out		Car Pull			17 / East / 123 / 20161128				
West Transit Facility.....	5:39	West Transit Facility.....		11:56	43rd Ave & McDowell Rd.....				15:04
44th St & McDowell Rd.....	6:19	Desert Sky TC.....		12:10	19th Ave & McDowell Rd.....				15:20
					Central Ave & McDowell Rd.....				15:30
17 / West / 124 / 20161215		Block		2101	24th St & McDowell Rd.....				15:45
44th St & McDowell Rd.....	6:19				44th St & McDowell Rd.....				15:57
24th St & McDowell Rd.....	6:34	Deadhead							
Central Ave & McDowell Rd.....	6:47	Desert Sky TC.....		12:10	Deadhead				
19th Ave & McDowell Rd.....	6:55	51st Ave & Thomas Rd.....		12:22	44th St & McDowell Rd.....				15:57
43rd Ave & McDowell Rd.....	7:12				44th St & Thomas Rd.....				16:02
		29 / East / 133 / 20161367							
Deadhead		51st Ave & Thomas Rd.....		12:47	29 / West / 134 / 20161285				
43rd Ave & McDowell Rd.....	7:12	35th Ave & Thomas Rd.....		12:54	44th St & Thomas Rd.....				16:12
43rd Ave & McDowell Rd.....	7:17	19th Ave & Thomas Rd.....		13:04	24th St & Thomas Rd.....				16:25
		Central Ave & Thomas Rd.....		13:16	Central Ave & Thomas Rd.....				16:44
17 / East / 123 / 20161115		24th St & Thomas Rd.....		13:28	19th Ave & Thomas Rd.....				16:55
43rd Ave & McDowell Rd.....	7:24	44th St & Thomas Rd.....		13:44	35th Ave & Thomas Rd.....				17:11
19th Ave & McDowell Rd.....	7:40				51st Ave & Thomas Rd.....				17:24
Central Ave & McDowell Rd.....	7:50	Deadhead							
24th St & McDowell Rd.....	8:04	44th St & Thomas Rd.....		13:44	Pull In				
44th St & McDowell Rd.....	8:16	44th St & McDowell Rd.....		13:49	51st Ave & Thomas Rd.....				17:24
					West Transit Facility.....				17:46
Pull In		17 / West / 124 / 20161229							
44th St & McDowell Rd.....	8:16	44th St & McDowell Rd.....		13:59					
West Transit Facility.....	9:06	24th St & McDowell Rd.....		14:14					
		Central Ave & McDowell Rd.....		14:27					
Split break	9:06	19th Ave & McDowell Rd.....		14:35					
		43rd Ave & McDowell Rd.....		14:52					

Phoenix West

Effective: 01/22/2024

2211
Weekday

Duty Type	Block	Report Time	Start Place	Start Time	End Time	End Place	Clear Time	Paid Time	Seat Time
SPL	2099	5:21	WEST	5:26	9:46	WEST	9:46		
	CAR	12:25	WEST	12:30	12:48	107I-E			
	2057		107I-E	12:48	17:50	WEST	17:50	9h50	7h56

Sign-on	5:21	17 / East / 123 / 20161118	Deadhead
		43rd Ave & McDowell Rd.....	8:24
Block	2099	19th Ave & McDowell Rd.....	8:40
		Central Ave & McDowell Rd.....	8:50
Pull Out		24th St & McDowell Rd.....	9:04
West Transit Facility.....	5:41	44th St & McDowell Rd.....	9:16
59th Ave & Indian School Rd...	5:58		
		Pull In	
		44th St & McDowell Rd.....	9:16
		West Transit Facility.....	9:46
41 / East / 137 / 20161891			41 / West / 141 / 20161826
59th Ave & Indian School Rd...	5:58		Granite Reef Rd & Indian Sch
43rd Ave & Indian School Rd....	6:07		15:53
19th Ave & Indian School Rd.....	6:22	Split break	16:01
Central Ave & Indian School Rd.	6:30		16:07
Central Ave & Indian School Rd.	6:34	Sign-on	12:25
24th St & Indian School Rd.....	6:48		16:14
32nd St & Indian School Rd....	6:53	Travel by	CAR
			16:21
			16:40
Deadhead		Car Pull	16:44
32nd St & Indian School Rd...	6:53	West Transit Facility.....	12:30
44th St & McDowell Rd.....	7:03	107th Ave & Indian School Rd.	12:48
			16:53
			17:14
			17:25
			83rd Ave & Indian School Rd..
			17:38
17 / West / 124 / 20161217		Block	2057
44th St & McDowell Rd.....	7:19		
24th St & McDowell Rd.....	7:34	41 / East / 172 / 20161947	
Central Ave & McDowell Rd.....	7:47	107th Ave & Indian School Rd.	13:24
19th Ave & McDowell Rd.....	7:55	83rd Ave & Indian School Rd.....	13:33
43rd Ave & McDowell Rd.....	8:12	59th Ave & Indian School Rd.....	13:45
		43rd Ave & Indian School Rd.....	13:54
		19th Ave & Indian School Rd.....	14:10
Deadhead		Central Ave & Indian School Rd.	14:20
43rd Ave & McDowell Rd.....	8:12	Central Ave & Indian School Rd.	14:24
43rd Ave & McDowell Rd.....	8:17	24th St & Indian School Rd.....	14:38
		32nd St & Indian School Rd.....	14:43
		44th St & Indian School Rd.....	14:49
		56th St & Indian School Rd.....	14:55
		Scottsdale Rd & Indian School	15:01
		Granite Reef Rd & Indian Sch	15:09

Phoenix West

Effective: 01/22/2024

2212
Weekday

Duty Type	Block	Report Time	Start Place	Start Time	End Time	End Place	Clear Time	Paid Time	Seat Time
SPL	2102	5:26	WEST	5:31	9:43	DSTC			
	CAR		DSTC	9:43	9:57	WEST	9:57		
	2134	11:53	WEST	11:58	17:53	WEST	17:53	10h31	8h51

Sign-on	5:26	Car Pull			Deadhead				
		Desert Sky TC.....		9:43	83rd Ave & Indian School Rd..				14:18
Block	2102	West Transit Facility.....		9:57	59th Ave & Indian School Rd...				14:32
Pull Out		Split break		9:57	41 / East / 137 / 20161880				
West Transit Facility.....	5:46				59th Ave & Indian School Rd...				14:55
Desert Sky TC.....	6:00	MARY / ClkWs / 786 / 20162022			43rd Ave & Indian School Rd.....				15:04
		<i>Desert Sky TC.....</i>		10:00	19th Ave & Indian School Rd.....				15:20
MARY / ClkWs / 786 / 20162021		<i>59th Ave & Thomas Rd.....</i>		10:11	Central Ave & Indian School Rd.				15:30
Desert Sky TC.....	6:00	<i>67th Ave & Campbell Ave.....</i>		10:22	Central Ave & Indian School Rd.				15:34
59th Ave & Thomas Rd.....	6:11	<i>51st Ave & Indian School Rd...</i>		10:33	24th St & Indian School Rd.....				15:47
67th Ave & Campbell Ave.....	6:22	<i>55th Ave & Encanto Blvd.....</i>		10:45	32nd St & Indian School Rd....				15:52
51st Ave & Indian School Rd.....	6:33	<i>63rd Ave & Fillmore St.....</i>		10:54					
55th Ave & Encanto Blvd.....	6:45	<i>75th Ave & Encanto Blvd.....</i>		11:08	Deadhead				
63rd Ave & Fillmore St.....	6:54	<i>83rd Ave & Osborn Rd.....</i>		11:25	32nd St & Indian School Rd....				15:52
75th Ave & Encanto Blvd.....	7:08	<i>Desert Sky TC.....</i>		11:43	32nd St & Indian School Rd....				16:04
83rd Ave & Osborn Rd.....	7:25								
Desert Sky TC.....	7:43	Sign-on		11:53	41 / West / 139 / 20161901				
		Block		2134	32nd St & Indian School Rd....				16:24
MARY / ClkWs / 786 / 20162024					24th St & Indian School Rd.....				16:31
Desert Sky TC.....	8:00	Pull Out			Central Ave & Indian School Rd.				16:50
59th Ave & Thomas Rd.....	8:11	West Transit Facility.....		12:13	Central Ave & Indian School Rd.				16:54
67th Ave & Campbell Ave.....	8:22	32nd St & Indian School Rd....		13:04	19th Ave & Indian School Rd.....				17:03
51st Ave & Indian School Rd.....	8:33				43rd Ave & Indian School Rd.....				17:24
55th Ave & Encanto Blvd.....	8:45				59th Ave & Indian School Rd...				17:35
63rd Ave & Fillmore St.....	8:54	41 / West / 141 / 20161913							
75th Ave & Encanto Blvd.....	9:08	32nd St & Indian School Rd....		13:04	Pull In				
83rd Ave & Osborn Rd.....	9:25	24th St & Indian School Rd.....		13:11	59th Ave & Indian School Rd...				17:35
Desert Sky TC.....	9:43	Central Ave & Indian School Rd.		13:25	West Transit Facility.....				17:53
		Central Ave & Indian School Rd.		13:29					
Travel by	CAR	19th Ave & Indian School Rd.....		13:38					
		43rd Ave & Indian School Rd.....		13:55					
		59th Ave & Indian School Rd.....		14:05					
		83rd Ave & Indian School Rd..		14:18					

Phoenix West

Effective: 01/22/2024

2213
Weekday

Duty Type	Block	Report Time	Start Place	Start Time	End Time	End Place	Clear Time	Paid Time	Seat Time
SPL	2103	5:28	WEST	5:33	10:54	37VB			
	CAR		37VB	10:54	11:09	WEST	11:09		
	CAR	12:46	WEST	12:51	13:04	93TH			
	2073		93TH	13:04	17:47	WEST	17:47	10h42	8h00

Sign-on	5:28	Deadhead			Block				2073
		44th St & Van Buren St.....		9:18					
Block	2103	44th St Sky Train Station.....		9:23	Deadhead				
					93rd Ave & Thomas Rd.....				13:04
					94th Av Layover.....				13:05
Pull Out		Deadhead							
West Transit Facility.....	5:48	44th St Sky Train Station.....		10:00					
35th Ave & Van Buren St.....	6:05	44th St & Van Buren St.....		10:05	Deadhead				
					94th Av Layover.....				13:38
					93rd Ave & Thomas Rd.....				13:39
3 / East / 116 / 20162039		3 / West / 118 / 20162121							
35th Ave & Van Buren St.....	6:05	44th St & Van Buren St.....		10:05	29 / East / 31 / 20161554				
19th Ave & Van Buren St.....	6:16	24th St & Van Buren St.....		10:18	93rd Ave & Thomas Rd.....				13:39
Central Ave & Van Buren St.....	6:25	2nd Ave & Van Buren St.....		10:33	Thomas Rd at Desert Sky TC....				13:45
24th St & Van Buren St.....	6:39	19th Ave & Van Buren St.....		10:42	67th Ave & Thomas Rd.....				13:52
44th St & Van Buren St.....	6:48	35th Ave & Van Buren St.....		10:52	51st Ave & Thomas Rd.....				13:59
					35th Ave & Thomas Rd.....				14:06
Deadhead		Deadhead			19th Ave & Thomas Rd.....				14:16
44th St & Van Buren St.....	6:48	35th Ave & Van Buren St.....		10:52	Central Ave & Thomas Rd.....				14:28
44th St Sky Train Station.....	6:53	37th Av Layover.....		10:54	24th St & Thomas Rd.....				14:40
					44th St & Thomas Rd.....				14:58
Deadhead		Travel by		CAR	56th St & Thomas Rd.....				15:05
44th St Sky Train Station.....	7:30				Scottsdale Rd & Thomas Rd.....				15:12
44th St & Van Buren St.....	7:35	Car Pull			Pima Park.....				15:21
		37th Av Layover.....		10:54					
		West Transit Facility.....		11:09	29 / West / 35 / 20161409				
3 / West / 118 / 20162111		Split break		11:09	Pima Park.....				15:43
44th St & Van Buren St.....	7:35				Scottsdale Rd & Thomas Rd.....				15:48
24th St & Van Buren St.....	7:48	3 / East / 116 / 20162060			56th St & Thomas Rd.....				15:55
2nd Ave & Van Buren St.....	8:03	35th Ave & Van Buren St.....		11:05	44th St & Thomas Rd.....				16:04
19th Ave & Van Buren St.....	8:12	19th Ave & Van Buren St.....		11:16	24th St & Thomas Rd.....				16:17
35th Ave & Van Buren St.....	8:22	Central Ave & Van Buren St....		11:25	Central Ave & Thomas Rd.....				16:36
		24th St & Van Buren St.....		11:39	19th Ave & Thomas Rd.....				16:47
Deadhead		44th St & Van Buren St.....		11:48	35th Ave & Thomas Rd.....				17:03
35th Ave & Van Buren St.....	8:22				51st Ave & Thomas Rd.....				17:15
37th Av Layover.....	8:24	Sign-on		12:46	67th Ave & Thomas Rd.....				17:23
					Desert Sky TC.....				17:33
Deadhead		Travel by		CAR					
37th Av Layover.....	8:32				Pull In				
35th Ave & Van Buren St.....	8:35	Car Pull			Desert Sky TC.....				17:33
		West Transit Facility.....		12:51	West Transit Facility.....				17:47
3 / East / 116 / 20162049		93rd Ave & Thomas Rd.....		13:04					
35th Ave & Van Buren St.....	8:35								
19th Ave & Van Buren St.....	8:46								
Central Ave & Van Buren St.....	8:55								
24th St & Van Buren St.....	9:09								
44th St & Van Buren St.....	9:18								

Phoenix West

Effective: 01/22/2024

2214
Weekday

Duty Type	Block	Report Time	Start Place	Start Time	End Time	End Place	Clear Time	Paid Time	Seat Time
SPL	2105	5:30	WEST	5:35	9:19	WEST	9:19		
	CAR	11:29	WEST	11:34	11:47	83IN			
	2126		83IN	11:47	17:52	WEST	17:52	10h12	7h58

Sign-on	5:30	Split break		9:19	29 / West / 134 / 20161272				
					44th St & Thomas Rd.....				13:55
Block	2105	Sign-on		11:29	24th St & Thomas Rd.....				
					Central Ave & Thomas Rd.....				
Pull Out		Travel by		CAR	19th Ave & Thomas Rd.....				
West Transit Facility.....	5:50				35th Ave & Thomas Rd.....				
51st Ave & Thomas Rd.....	6:12	Car Pull			51st Ave & Thomas Rd.....				
		West Transit Facility.....		11:34					
		83rd Ave & Indian School Rd..		11:47					
29 / East / 31 / 20161348		Block		2126	Deadhead				
51st Ave & Thomas Rd.....	6:12				51st Ave & Thomas Rd.....				
35th Ave & Thomas Rd.....	6:19				51st Ave & Thomas Rd.....				
19th Ave & Thomas Rd.....	6:29	Deadhead			29 / East / 133 / 20161380				
Central Ave & Thomas Rd.....	6:39	83rd Ave & Indian School Rd..		11:47	51st Ave & Thomas Rd.....				
24th St & Thomas Rd.....	6:49	59th Ave & Indian School Rd...		12:01	35th Ave & Thomas Rd.....				
44th St & Thomas Rd.....	7:02				19th Ave & Thomas Rd.....				
56th St & Thomas Rd.....	7:07				Central Ave & Thomas Rd.....				
Scottsdale Rd & Thomas Rd.....	7:14	41 / East / 137 / 20161886			24th St & Thomas Rd.....				
Pima Park.....	7:21	59th Ave & Indian School Rd...		12:35	44th St & Thomas Rd.....				
		43rd Ave & Indian School Rd.....		12:44					
Deadhead		19th Ave & Indian School Rd.....		13:00					
Pima Park.....	7:21	Central Ave & Indian School Rd.		13:10	Deadhead				
44th St & Thomas Rd.....	7:41	Central Ave & Indian School Rd.		13:14	44th St & Thomas Rd.....				
		24th St & Indian School Rd.....		13:28	44th St & McDowell Rd.....				
29 / West / 134 / 20161257		32nd St & Indian School Rd....		13:33					
44th St & Thomas Rd.....	8:05				17 / West / 124 / 20161247				
24th St & Thomas Rd.....	8:15	Deadhead			44th St & McDowell Rd.....				
Central Ave & Thomas Rd.....	8:29	32nd St & Indian School Rd....		13:33	24th St & McDowell Rd.....				
19th Ave & Thomas Rd.....	8:38	44th St & Thomas Rd.....		13:40	Central Ave & McDowell Rd.....				
35th Ave & Thomas Rd.....	8:49				19th Ave & McDowell Rd.....				
51st Ave & Thomas Rd.....	8:57				43rd Ave & McDowell Rd.....				
Pull In					Pull In				
51st Ave & Thomas Rd.....	8:57				43rd Ave & McDowell Rd.....				
West Transit Facility.....	9:19				West Transit Facility.....				

Phoenix West

Effective: 01/22/2024

2215
Weekday

Duty Type	Block	Report Time	Start Place	Start Time	End Time	End Place	Clear Time	Paid Time	Seat Time
SPL	2109	5:39	WEST	5:44	9:55	83MC			
	CAR		83MC	9:55	10:07	WEST	10:07		
	CAR	12:01	WEST	12:06	12:16	75LB			
	2106		75LB	12:16	18:05	WEST	18:05	10h32	8h21

Sign-on	5:39	Car Pull			Deadhead				
		83rd Ave & McDowell Rd.....		9:55	75th Ave & Lower Buckeye Rd				13:36
Block	2109	West Transit Facility.....		10:07	Sierra Linda HS-North.....				13:41
Pull Out		Split break		10:07	67 / North / 108 / 20161196				
West Transit Facility.....	5:59				Sierra Linda HS-North.....				13:54
Thomas Rd at Desert Sky TC..	6:13	<i>17 / East / 132 / 20160970</i>			67th Ave & Van Buren St.....				14:05
		<i>83rd Ave & McDowell Rd.....</i>		9:55	67th Ave & Thomas Rd.....				14:15
		<i>67th Ave & McDowell Rd.....</i>		10:02	67th Ave & Camelback Rd.....				14:24
29 / East / 31 / 20161254		<i>43rd Ave & McDowell Rd.....</i>		10:14	67th Ave & Glendale Ave.....				14:35
Thomas Rd at Desert Sky TC..	6:13	<i>19th Ave & McDowell Rd.....</i>		10:30	67th Ave & Olive Ave.....				14:42
67th Ave & Thomas Rd.....	6:22	<i>Central Ave & McDowell Rd....</i>		10:40	67th Ave & Thunderbird Rd.....				14:52
51st Ave & Thomas Rd.....	6:33	<i>24th St & McDowell Rd.....</i>		10:55	67th Ave & Union Hills Dr.....				15:02
35th Ave & Thomas Rd.....	6:40	<i>44th St & McDowell Rd.....</i>		11:07					
19th Ave & Thomas Rd.....	6:50	<i>52nd St & McDowell Rd.....</i>		11:11	Deadhead				
Central Ave & Thomas Rd.....	7:03	<i>Scottsdale Rd & McDowell Rd</i>		11:19	67th Ave & Union Hills Dr.....				15:02
24th St & Thomas Rd.....	7:13	<i>Pima Rd & McDowell Rd.....</i>		11:27	67th Ave & Union Hills Dr.....				15:07
44th St & Thomas Rd.....	7:27								
56th St & Thomas Rd.....	7:32								
Scottsdale Rd & Thomas Rd.....	7:39	Sign-on		12:01	67 / South / 254 / 20161625				
Pima Park.....	7:46				67th Ave & Union Hills Dr.....				15:20
		Travel by		CAR	67th Ave & Thunderbird Rd.....				15:29
29 / West / 35 / 20161474					67th Ave & Olive Ave.....				15:39
Pima Park.....	8:10	Car Pull			67th Ave & Glendale Ave.....				15:47
Scottsdale Rd & Thomas Rd.....	8:15	West Transit Facility.....		12:06	67th Ave & Camelback Rd.....				15:56
56th St & Thomas Rd.....	8:21	75th Ave & Lower Buckeye Rd		12:16	67th Ave & Thomas Rd.....				16:06
44th St & Thomas Rd.....	8:29				67th Ave & Van Buren St.....				16:18
24th St & Thomas Rd.....	8:39	Block		2106	Sierra Linda HS-South.....				16:28
Central Ave & Thomas Rd.....	8:53								
19th Ave & Thomas Rd.....	9:02	75 / North / 147 / 20161763			Deadhead				
35th Ave & Thomas Rd.....	9:13	75th Ave & Lower Buckeye Rd		12:16	Sierra Linda HS-South.....				16:28
51st Ave & Thomas Rd.....	9:21	75th Ave & Van Buren St.....		12:21	75th Ave & Lower Buckeye Rd				16:33
67th Ave & Thomas Rd.....	9:28	Desert Sky TC.....		12:37					
Desert Sky TC.....	9:36	75th Ave & Camelback Rd.....		12:47	75 / North / 147 / 20161778				
					75th Ave & Lower Buckeye Rd				17:11
Deadhead		Deadhead			75th Ave & Van Buren St.....				17:17
Desert Sky TC.....	9:36	75th Ave & Camelback Rd.....		12:47	Desert Sky TC.....				17:37
83rd Ave & McDowell Rd.....	9:44	75th Ave & Camelback Rd.....		12:59	75th Ave & Camelback Rd.....				17:50
Travel by	CAR	75 / South / 149 / 20161708			Pull In				
		75th Ave & Camelback Rd.....		13:06	75th Ave & Camelback Rd.....				17:50
		Desert Sky TC.....		13:17	West Transit Facility.....				18:05
		75th Ave & Van Buren St.....		13:30					
		75th Ave & Lower Buckeye Rd		13:36					

Phoenix West

Effective: 01/22/2024

2216
Weekday

Duty Type	Block	Report Time	Start Place	Start Time	End Time	End Place	Clear Time	Paid Time	Seat Time
SPL	2110	5:40	WEST	5:45	12:47	83IN			
	CAR		83IN	12:47	13:00	WEST	13:00		
	CAR	14:44	WEST	14:49	15:10	59IN			
	2104		59IN	15:10	18:10	WEST	18:10	10h46	8h32

Sign-on	5:40	29 / East / 133 / 20161209					Sign-on		14:44
		Thomas Rd at Desert Sky TC..		9:23					
Block	2110	67th Ave & Thomas Rd.....		9:30			Travel by		CAR
		51st Ave & Thomas Rd.....		9:37					
Pull Out		35th Ave & Thomas Rd.....		9:45			Car Pull		
West Transit Facility.....	6:00	19th Ave & Thomas Rd.....		9:56			West Transit Facility.....		14:49
59th Ave & Indian School Rd...	6:17	Central Ave & Thomas Rd.....		10:09			59th Ave & Indian School Rd...		15:10
		24th St & Thomas Rd.....		10:20					
		44th St & Thomas Rd.....		10:36			Block		2104
41 / East / 137 / 20161894									
59th Ave & Indian School Rd...	6:17								
43rd Ave & Indian School Rd....	6:26	Deadhead					Deadhead		
19th Ave & Indian School Rd....	6:42	44th St & Thomas Rd.....		10:36			59th Ave & Indian School Rd...		15:10
Central Ave & Indian School Rd.	6:50	32nd St & Indian School Rd....		10:43			51st Ave & Thomas Rd.....		15:17
Central Ave & Indian School Rd.	6:54								
24th St & Indian School Rd.....	7:08	41 / West / 141 / 20161915					29 / East / 133 / 20161379		
32nd St & Indian School Rd....	7:13	32nd St & Indian School Rd....		11:34			51st Ave & Thomas Rd.....		15:25
		24th St & Indian School Rd.....		11:41			35th Ave & Thomas Rd.....		15:33
Deadhead		Central Ave & Indian School Rd.		11:55			19th Ave & Thomas Rd.....		15:44
32nd St & Indian School Rd....	7:13	Central Ave & Indian School Rd.		11:59			Central Ave & Thomas Rd.....		15:56
32nd St & Indian School Rd....	7:25	19th Ave & Indian School Rd.....		12:08			24th St & Thomas Rd.....		16:09
		43rd Ave & Indian School Rd....		12:24			44th St & Thomas Rd.....		16:27
		59th Ave & Indian School Rd.....		12:34					
41 / West / 141 / 20161922		83rd Ave & Indian School Rd..		12:47			Deadhead		
32nd St & Indian School Rd....	7:39						44th St & Thomas Rd.....		16:27
24th St & Indian School Rd.....	7:46	Travel by		CAR			32nd St & Indian School Rd....		16:34
Central Ave & Indian School Rd.	8:00								
Central Ave & Indian School Rd.	8:04	Car Pull					41 / West / 139 / 20161900		
19th Ave & Indian School Rd.....	8:12	83rd Ave & Indian School Rd..		12:47			32nd St & Indian School Rd....		16:44
43rd Ave & Indian School Rd.....	8:28	West Transit Facility.....		13:00			24th St & Indian School Rd.....		16:51
59th Ave & Indian School Rd.....	8:38						Central Ave & Indian School Rd.		17:10
83rd Ave & Indian School Rd..	8:51	Split break		13:00			Central Ave & Indian School Rd.		17:14
							19th Ave & Indian School Rd.....		17:23
Deadhead		29 / East / 133 / 20161369					43rd Ave & Indian School Rd....		17:41
83rd Ave & Indian School Rd..	8:51	51st Ave & Thomas Rd.....		13:19			59th Ave & Indian School Rd...		17:52
Thomas Rd at Desert Sky TC..	8:57	35th Ave & Thomas Rd.....		13:26					
		19th Ave & Thomas Rd.....		13:36			Pull In		
		Central Ave & Thomas Rd.....		13:48			59th Ave & Indian School Rd...		17:52
		24th St & Thomas Rd.....		14:00			West Transit Facility.....		18:10
		44th St & Thomas Rd.....		14:16					

Phoenix West

Effective: 01/22/2024

2217

Weekday

Duty Type	Block	Report Time	Start Place	Start Time	End Time	End Place	Clear Time	Paid Time	Seat Time
SPL	2111	5:43	WEST	5:48	10:17	107I-E			
	CAR		107I-E	10:17	10:34	WEST	10:34		
	2140	12:18	WEST	12:23	18:12	WEST	18:12	10h45	8h48

Sign-on	5:43	Deadhead	Deadhead
		107th Ave & Indian School Rd.	10:11
Block	2111	107th Ave & Indian School Rd.	10:17
			32nd St & Indian School Rd....
			13:53
			44th St & Thomas Rd.....
			14:00
Pull Out		Travel by	CAR
West Transit Facility.....	6:03		29 / West / 134 / 20161274
83rd Ave & Indian School Rd..	6:15	Car Pull	44th St & Thomas Rd.....
		107th Ave & Indian School Rd.	10:17
		West Transit Facility.....	10:34
			24th St & Thomas Rd.....
			14:23
			Central Ave & Thomas Rd.....
			14:36
			19th Ave & Thomas Rd.....
			14:46
			35th Ave & Thomas Rd.....
			14:57
			51st Ave & Thomas Rd.....
			15:07
41 / East / 172 / 20161871		Split break	10:34
83rd Ave & Indian School Rd..	6:15		
59th Ave & Indian School Rd.....	6:26	41 / East / 172 / 20161952	
43rd Ave & Indian School Rd.....	6:35	107th Ave & Indian School Rd.	10:38
19th Ave & Indian School Rd.....	6:52	83rd Ave & Indian School Rd..	10:47
Central Ave & Indian School Rd.	7:00	59th Ave & Indian School Rd...	10:58
Central Ave & Indian School Rd.	7:04	43rd Ave & Indian School Rd..	11:07
24th St & Indian School Rd.....	7:18	19th Ave & Indian School Rd...	11:22
32nd St & Indian School Rd.....	7:23	Central Ave & Indian School R	11:30
44th St & Indian School Rd.....	7:30	Central Ave & Indian School R	11:34
56th St & Indian School Rd.....	7:36	24th St & Indian School Rd....	11:48
Scottsdale Rd & Indian School	7:42	32nd St & Indian School Rd....	11:53
Granite Reef Rd & Indian Sch	7:50	44th St & Indian School Rd....	11:59
		56th St & Indian School Rd....	12:05
		Scottsdale Rd & Indian Schoo	12:11
		Granite Reef Rd & Indian Sch	12:19
Deadhead			
Granite Reef Rd & Indian Sch	7:50		
Pima Rd & Chaparral Rd.....	7:54		
Deadhead			
Pima Rd & Chaparral Rd.....	8:21	Sign-on	12:18
Granite Reef Rd & Indian Sch	8:25		
		Block	2140
41 / West / 724 / 20161843			
Granite Reef Rd & Indian Sch	8:25	Pull Out	
Scottsdale Rd & Indian School	8:30	West Transit Facility.....	12:38
56th St & Indian School Rd.....	8:38	59th Ave & Indian School Rd...	12:55
44th St & Indian School Rd.....	8:42		
32nd St & Indian School Rd.....	8:49	41 / East / 137 / 20161885	
24th St & Indian School Rd.....	8:56	59th Ave & Indian School Rd...	12:55
Central Ave & Indian School Rd.	9:10	43rd Ave & Indian School Rd....	13:04
Central Ave & Indian School Rd.	9:14	19th Ave & Indian School Rd.....	13:20
19th Ave & Indian School Rd.....	9:22	Central Ave & Indian School Rd.	13:30
43rd Ave & Indian School Rd....	9:38	Central Ave & Indian School Rd.	13:34
59th Ave & Indian School Rd.....	9:48	24th St & Indian School Rd.....	13:48
83rd Ave & Indian School Rd....	10:01	32nd St & Indian School Rd....	13:53
107th Ave & Indian School Rd.	10:11		

Phoenix West

Effective: 01/22/2024

2218
Weekday

Duty Type	Block	Report Time	Start Place	Start Time	End Time	End Place	Clear Time	Paid Time	Seat Time
SPL	2112	5:45	WEST	5:50	9:35	WEST	9:35		
	CAR	12:29	WEST	12:34	12:47	83IN			
	2110		83IN	12:47	18:04	WEST	18:04	9h25	7h39

Sign-on	5:45	Pull In			Deadhead				
		51st Ave & Thomas Rd.....		9:13	44th St & Thomas Rd.....			14:16	
Block	2112	West Transit Facility.....		9:35	32nd St & Indian School Rd....			14:23	
Pull Out		Split break		9:35	41 / West / 139 / 20161909				
West Transit Facility.....	6:05				32nd St & Indian School Rd....			14:48	
51st Ave & Thomas Rd.....	6:27	Sign-on		12:29	24th St & Indian School Rd.....			14:55	
		Travel by		CAR	Central Ave & Indian School Rd.			15:10	
29 / East / 31 / 20161349					Central Ave & Indian School Rd.			15:14	
51st Ave & Thomas Rd.....	6:27				19th Ave & Indian School Rd.....			15:23	
35th Ave & Thomas Rd.....	6:34	Car Pull			43rd Ave & Indian School Rd....			15:42	
19th Ave & Thomas Rd.....	6:44	West Transit Facility.....		12:34	59th Ave & Indian School Rd...			15:53	
Central Ave & Thomas Rd.....	6:55	83rd Ave & Indian School Rd..		12:47					
24th St & Thomas Rd.....	7:05				Deadhead				
44th St & Thomas Rd.....	7:19	Block		2110	59th Ave & Indian School Rd...			15:53	
56th St & Thomas Rd.....	7:24				59th Ave & Indian School Rd...			15:59	
Scottsdale Rd & Thomas Rd.....	7:31	Deadhead							
Pima Park.....	7:38	83rd Ave & Indian School Rd..		12:47	41 / East / 137 / 20161869				
		51st Ave & Thomas Rd.....		13:04	59th Ave & Indian School Rd...			16:17	
Deadhead					43rd Ave & Indian School Rd....			16:26	
Pima Park.....	7:38	29 / East / 133 / 20161369			19th Ave & Indian School Rd.....			16:40	
44th St & Thomas Rd.....	7:58	51st Ave & Thomas Rd.....		13:19	Central Ave & Indian School Rd.			16:50	
		35th Ave & Thomas Rd.....		13:26	Central Ave & Indian School Rd.			16:54	
29 / West / 134 / 20161258		19th Ave & Thomas Rd.....		13:36	24th St & Indian School Rd.....			17:07	
44th St & Thomas Rd.....	8:21	Central Ave & Thomas Rd.....		13:48	32nd St & Indian School Rd....			17:12	
24th St & Thomas Rd.....	8:31	24th St & Thomas Rd.....		14:00					
Central Ave & Thomas Rd.....	8:45	44th St & Thomas Rd.....		14:16	Pull In				
19th Ave & Thomas Rd.....	8:54				32nd St & Indian School Rd....			17:12	
35th Ave & Thomas Rd.....	9:05				West Transit Facility.....			18:04	
51st Ave & Thomas Rd.....	9:13								

Phoenix West

Effective: 01/22/2024

2219

Weekday

Duty Type	Block	Report Time	Start Place	Start Time	End Time	End Place	Clear Time	Paid Time	Seat Time
SPL	2113	5:48	WEST	5:53	11:32	83IN			
	CAR		83IN	11:32	11:45	WEST	11:45		
	CAR	13:36	WEST	13:41	13:53	83MC			
	2083		83MC	13:53	18:16	WEST	18:16	10h37	8h50

Sign-on	5:48	29 / West / 35 / 20161259				Block			2083
		44th St & Thomas Rd.....		9:57					
Block	2113	24th St & Thomas Rd.....		10:09		17 / East / 132 / 20160981			
		Central Ave & Thomas Rd.....		10:23		83rd Ave & McDowell Rd.....			13:53
Pull Out		19th Ave & Thomas Rd.....		10:33		67th Ave & McDowell Rd.....			14:00
West Transit Facility.....	6:08	35th Ave & Thomas Rd.....		10:45		43rd Ave & McDowell Rd.....			14:14
32nd St & Indian School Rd....	6:59	51st Ave & Thomas Rd.....		10:54		19th Ave & McDowell Rd.....			14:30
		67th Ave & Thomas Rd.....		11:02		Central Ave & McDowell Rd.....			14:40
		Desert Sky TC.....		11:10		24th St & McDowell Rd.....			14:55
41 / West / 139 / 20161925						44th St & McDowell Rd.....			15:07
32nd St & Indian School Rd....	6:59					52nd St & McDowell Rd.....			15:11
24th St & Indian School Rd.....	7:06	Deadhead				Scottsdale Rd & McDowell Rd....			15:20
Central Ave & Indian School Rd.	7:20	Desert Sky TC.....		11:10		McDowell Rd & Pima Rd East			15:28
Central Ave & Indian School Rd.	7:24	83rd Ave & Indian School Rd..		11:16					
19th Ave & Indian School Rd.....	7:32								
43rd Ave & Indian School Rd.....	7:48	Travel by		CAR		Deadhead			
59th Ave & Indian School Rd...	7:58	Car Pull				McDowell Rd & Pima Rd East			15:28
		83rd Ave & Indian School Rd..		11:32		Pima Rd & McDowell Rd.....			15:35
		West Transit Facility.....		11:45					
Deadhead		Split break		11:45		17 / West / 127 / 20161559			
59th Ave & Indian School Rd...	7:58					Pima Rd & McDowell Rd.....			15:50
59th Ave & Indian School Rd...	8:04	41 / East / 137 / 20161888				Scottsdale Rd & McDowell Rd....			15:57
		59th Ave & Indian School Rd...		8:18		52nd St & McDowell Rd.....			16:05
		43rd Ave & Indian School Rd.....		8:27		44th St & McDowell Rd.....			16:09
		19th Ave & Indian School Rd.....		8:42		24th St & McDowell Rd.....			16:24
		Central Ave & Indian School Rd.		8:50		Central Ave & McDowell Rd.....			16:37
		Central Ave & Indian School Rd.		8:54		19th Ave & McDowell Rd.....			16:45
		24th St & Indian School Rd.....		9:08		43rd Ave & McDowell Rd.....			17:02
		32nd St & Indian School Rd....		9:13		67th Ave & McDowell Rd.....			17:14
						83rd Ave & McDowell Rd.....			17:21
						99th Ave & McDowell Rd.....			17:29
Deadhead						Litchfield Rd & McDowell Rd.....			17:44
32nd St & Indian School Rd....	9:13					Pebble Creek Pkwy & McDow			17:51
44th St & Thomas Rd.....	9:20	Sign-on		13:36					
		Travel by		CAR		Pull In			
		Car Pull				Pebble Creek Pkwy & McDow			17:51
		West Transit Facility.....		13:41		West Transit Facility.....			18:16
		83rd Ave & McDowell Rd.....		13:53					

Phoenix West

Effective: 01/22/2024

2220
Weekday

Duty Type	Block	Report Time	Start Place	Start Time	End Time	End Place	Clear Time	Paid Time	Seat Time
SPL	2114	5:50	WEST	5:55	10:24	37VB			
	CAR		37VB	10:24	10:39	WEST	10:39		
	2141	12:18	WEST	12:23	18:16	WEST	18:16	10h47	8h16

Sign-on	5:50	3 / West / 118 / 20162119	41 / West / 139 / 20161912
		44th St & Van Buren St.....	32nd St & Indian School Rd....
			13:29
Block	2114	24th St & Van Buren St.....	24th St & Indian School Rd.....
			13:36
		2nd Ave & Van Buren St.....	Central Ave & Indian School Rd.
			13:50
Pull Out		19th Ave & Van Buren St.....	Central Ave & Indian School Rd.
			13:54
West Transit Facility.....	6:10	35th Ave & Van Buren St.....	19th Ave & Indian School Rd.....
			14:03
44th St & Van Buren St.....	7:05		43rd Ave & Indian School Rd....
			14:20
		Deadhead	59th Ave & Indian School Rd... 14:30
		3 / West / 118 / 20162109	
44th St & Van Buren St.....	7:05	35th Ave & Van Buren St.....	10:22
		37th Av Layover.....	10:24
24th St & Van Buren St.....	7:18		Deadhead
2nd Ave & Van Buren St.....	7:33		59th Ave & Indian School Rd... 14:30
19th Ave & Van Buren St.....	7:42	Travel by	59th Ave & Indian School Rd... 14:36
35th Ave & Van Buren St.....	7:52	CAR	
		Car Pull	41 / East / 137 / 20161878
		37th Av Layover.....	59th Ave & Indian School Rd... 15:35
		West Transit Facility.....	10:39
Deadhead			43rd Ave & Indian School Rd....
35th Ave & Van Buren St.....	7:52		15:44
37th Av Layover.....	7:54		19th Ave & Indian School Rd.....
		Split break	16:00
			10:39
			Central Ave & Indian School Rd.
			16:10
			Central Ave & Indian School Rd.
			16:14
Deadhead		3 / East / 116 / 20162058	24th St & Indian School Rd.....
37th Av Layover.....	8:02	35th Ave & Van Buren St.....	16:27
35th Ave & Van Buren St.....	8:05	19th Ave & Van Buren St.....	10:35
		Central Ave & Van Buren St....	10:46
		24th St & Van Buren St.....	10:55
		44th St & Van Buren St.....	11:09
			11:18
3 / East / 116 / 20162047			Deadhead
35th Ave & Van Buren St.....	8:05		32nd St & Indian School Rd.... 16:32
19th Ave & Van Buren St.....	8:16		44th St & Thomas Rd..... 16:39
Central Ave & Van Buren St.....	8:25		
24th St & Van Buren St.....	8:39	Sign-on	29 / West / 134 / 20161293
44th St & Van Buren St.....	8:48		44th St & Thomas Rd..... 16:46
		Block	24th St & Thomas Rd.....
			16:59
			Central Ave & Thomas Rd.....
			17:16
Deadhead		Pull Out	19th Ave & Thomas Rd.....
44th St & Van Buren St.....	8:48	West Transit Facility.....	17:27
44th St Sky Train Station.....	8:53	32nd St & Indian School Rd....	17:41
			51st Ave & Thomas Rd..... 17:54
Deadhead			Pull In
44th St Sky Train Station.....	9:30		51st Ave & Thomas Rd..... 17:54
44th St & Van Buren St.....	9:35		West Transit Facility..... 18:16

Phoenix West

Effective: 01/22/2024

2221
Weekday

Duty Type	Block	Report Time	Start Place	Start Time	End Time	End Place	Clear Time	Paid Time	Seat Time
SPL	2115	5:56	WEST	6:01	8:59	WEST	8:59		
	CAR	11:14	WEST	11:19	11:32	83IN			
	2113		83IN	11:32	18:00	WEST	18:00	9h49	7h58

Sign-on	5:56	Car Pull				Deadhead			
		West Transit Facility.....		11:19		59th Ave & Indian School Rd...			14:50
Block	2115	83rd Ave & Indian School Rd..		11:32		59th Ave & Indian School Rd...			14:56
Pull Out		Block		2113		41 / East / 137 / 20161879			
West Transit Facility.....	6:16					59th Ave & Indian School Rd...			15:15
51st Ave & Thomas Rd.....	6:38	41 / East / 137 / 20161862				43rd Ave & Indian School Rd.....			15:24
		83rd Ave & Indian School Rd..		11:32		19th Ave & Indian School Rd.....			15:40
29 / East / 31 / 20161352		59th Ave & Indian School Rd.....		11:43		Central Ave & Indian School Rd.			15:50
51st Ave & Thomas Rd.....	6:38	43rd Ave & Indian School Rd.....		11:52		Central Ave & Indian School Rd.			15:54
35th Ave & Thomas Rd.....	6:45	19th Ave & Indian School Rd.....		12:07		24th St & Indian School Rd.....			16:07
19th Ave & Thomas Rd.....	6:58	Central Ave & Indian School Rd.		12:15		32nd St & Indian School Rd....			16:12
Central Ave & Thomas Rd.....	7:11	Central Ave & Indian School Rd.		12:19					
24th St & Thomas Rd.....	7:21	24th St & Indian School Rd.....		12:33		Deadhead			
44th St & Thomas Rd.....	7:35	32nd St & Indian School Rd....		12:38		32nd St & Indian School Rd....			16:12
56th St & Thomas Rd.....	7:40					44th St & Thomas Rd.....			16:19
Scottsdale Rd & Thomas Rd.....	7:47	Deadhead							
Pima Park.....	7:54	32nd St & Indian School Rd....		12:38		29 / West / 134 / 20161291			
		32nd St & Indian School Rd....		12:50		44th St & Thomas Rd.....			16:28
Pull In		41 / West / 139 / 20161908				24th St & Thomas Rd.....			16:41
Pima Park.....	7:54	32nd St & Indian School Rd....		13:48		Central Ave & Thomas Rd.....			17:00
West Transit Facility.....	8:59	24th St & Indian School Rd.....		13:55		19th Ave & Thomas Rd.....			17:11
		Central Ave & Indian School Rd.		14:10		35th Ave & Thomas Rd.....			17:25
Split break	8:59	Central Ave & Indian School Rd.		14:14		51st Ave & Thomas Rd.....			17:38
		19th Ave & Indian School Rd.....		14:23					
Sign-on	11:14	43rd Ave & Indian School Rd.....		14:40		Pull In			
		59th Ave & Indian School Rd...		14:50		51st Ave & Thomas Rd.....			17:38
Travel by	CAR					West Transit Facility.....			18:00

Phoenix West

Effective: 01/22/2024

2222

Weekday

Duty Type	Block	Report Time	Start Place	Start Time	End Time	End Place	Clear Time	Paid Time	Seat Time
SPL	2116	5:56	WEST	6:01	10:15	DSTC			
	CAR		DSTC	10:15	10:29	WEST	10:29		
	CAR	12:21	WEST	12:26	12:34	83VB			
	2007		83VB	12:34	17:53	83VB			
	CAR		83VB	17:53	18:00	WEST	18:00	10h12	8h45

Sign-on	5:56	MARY / CCikWs / 787 / 20162008				3 / West / 546 / 20162144			
		Desert Sky TC.....		10:30		Phoenix Zoo.....			15:39
Block	2116	83rd Ave & Osborn Rd.....		10:46		Galvin Pkwy & Van Buren St.....			15:42
		75th Ave & Encanto Blvd.....		11:02		44th St & Van Buren St.....			15:50
Pull Out		63rd Ave & Fillmore St.....		11:14		24th St & Van Buren St.....			16:03
West Transit Facility.....	6:16	55th Ave & Encanto Blvd.....		11:24		2nd Ave & Van Buren St.....			16:18
Desert Sky TC.....	6:30	51st Ave & Indian School Rd...		11:37		19th Ave & Van Buren St.....			16:27
		67th Ave & Campbell Ave.....		11:48		35th Ave & Van Buren St.....			16:37
MARY / CCikWs / 787 / 20162007		59th Ave & Thomas Rd.....		11:59		51st Ave & Van Buren St.....			16:47
Desert Sky TC.....	6:30	Desert Sky TC.....		12:15		67th Ave & Van Buren St.....			16:56
83rd Ave & Osborn Rd.....	6:46					83rd Ave & Van Buren St.....			17:04
75th Ave & Encanto Blvd.....	7:02	Sign-on		12:21		99th Ave & Van Buren St.....			17:12
63rd Ave & Fillmore St.....	7:14					Avondale Civic Center.....			17:20
55th Ave & Encanto Blvd.....	7:24	Travel by		CAR		4th St & La Canada Blvd.....			17:31
51st Ave & Indian School Rd.....	7:37								
67th Ave & Campbell Ave.....	7:48	Car Pull				Deadhead			
59th Ave & Thomas Rd.....	7:59	West Transit Facility.....		12:26		4th St & La Canada Blvd.....			17:31
Desert Sky TC.....	8:15	83rd Ave & Van Buren St.....		12:34		83rd Ave & Van Buren St.....			17:53
MARY / CCikWs / 787 / 20162010		Block		2007		Travel by			CAR
Desert Sky TC.....	8:30					Car Pull			
83rd Ave & Osborn Rd.....	8:46	3 / West / 546 / 20162126				83rd Ave & Van Buren St.....			17:53
75th Ave & Encanto Blvd.....	9:02	83rd Ave & Van Buren St.....		12:34		West Transit Facility.....			18:00
63rd Ave & Fillmore St.....	9:14	99th Ave & Van Buren St.....		12:42					
55th Ave & Encanto Blvd.....	9:24	Avondale Civic Center.....		12:50					
51st Ave & Indian School Rd.....	9:37	4th St & La Canada Blvd.....		13:01		3 / East / 181 / 20162090			
67th Ave & Campbell Ave.....	9:48					83rd Ave & Van Buren St.....			18:22
59th Ave & Thomas Rd.....	9:59	3 / East / 86 / 20162072				67th Ave & Van Buren St.....			18:27
Desert Sky TC.....	10:15	4th St & La Canada Blvd.....		13:23		51st Ave & Van Buren St.....			18:40
		Avondale Civic Center.....		13:37		35th Ave & Van Buren St.....			18:51
Travel by	CAR	99th Ave & Van Buren St.....		13:43		19th Ave & Van Buren St.....			19:02
		83rd Ave & Van Buren St.....		13:51		Central Ave & Van Buren St...			19:10
Car Pull		67th Ave & Van Buren St.....		13:56		24th St & Van Buren St.....			19:20
Desert Sky TC.....	10:15	51st Ave & Van Buren St.....		14:09		44th St & Van Buren St.....			19:28
West Transit Facility.....	10:29	35th Ave & Van Buren St.....		14:20		Galvin Pkwy & Van Buren St...			19:35
		19th Ave & Van Buren St.....		14:31					
Split break	10:29	Central Ave & Van Buren St.....		14:40					
		24th St & Van Buren St.....		14:54					
		44th St & Van Buren St.....		15:03					
		Galvin Pkwy & Van Buren St.....		15:10					
		Phoenix Zoo.....		15:14					

Phoenix West

Effective: 01/22/2024

2223

Weekday

Duty Type	Block	Report Time	Start Place	Start Time	End Time	End Place	Clear Time	Paid Time	Seat Time
SPL	2117	5:58	WEST	6:03	11:32	37VB			
	CAR		37VB	11:32	11:47	WEST	11:47		
	CAR	13:52	WEST	13:57	14:10	93TH			
	2079		93TH	14:10	18:18	WEST	18:18	10h15	8h00

Sign-on	5:58	3 / East / 116 / 20162051				Sign-on			13:52
		35th Ave & Van Buren St.....		9:05					
Block	2117	19th Ave & Van Buren St.....		9:16		Travel by			CAR
		Central Ave & Van Buren St.....		9:25					
Pull Out		24th St & Van Buren St.....		9:39		Car Pull			
West Transit Facility.....	6:18	44th St & Van Buren St.....		9:48		West Transit Facility.....			13:57
35th Ave & Van Buren St.....	6:35					93rd Ave & Thomas Rd.....			14:10
		Deadhead							
3 / East / 116 / 20162041		44th St & Van Buren St.....		9:48		Block			2079
35th Ave & Van Buren St.....	6:35	44th St Sky Train Station.....		9:53					
19th Ave & Van Buren St.....	6:46								
Central Ave & Van Buren St.....	6:55	Deadhead				29 / East / 31 / 20161561			
24th St & Van Buren St.....	7:09	44th St Sky Train Station.....		10:30		93rd Ave & Thomas Rd.....			14:10
44th St & Van Buren St.....	7:18	44th St & Van Buren St.....		10:35		Thomas Rd at Desert Sky TC....			14:16
						67th Ave & Thomas Rd.....			14:23
Deadhead		3 / West / 118 / 20162123				51st Ave & Thomas Rd.....			14:30
44th St & Van Buren St.....	7:18	44th St & Van Buren St.....		10:35		35th Ave & Thomas Rd.....			14:37
44th St Sky Train Station.....	7:23	24th St & Van Buren St.....		10:48		19th Ave & Thomas Rd.....			14:48
		2nd Ave & Van Buren St.....		11:03		Central Ave & Thomas Rd.....			15:00
Deadhead		19th Ave & Van Buren St.....		11:12		24th St & Thomas Rd.....			15:13
44th St Sky Train Station.....	8:00	35th Ave & Van Buren St.....		11:22		44th St & Thomas Rd.....			15:31
44th St & Van Buren St.....	8:05					56th St & Thomas Rd.....			15:38
		Deadhead				Scottsdale Rd & Thomas Rd.....			15:45
3 / West / 118 / 20162113		35th Ave & Van Buren St.....		11:22		Pima Park.....			15:54
44th St & Van Buren St.....	8:05	37th Av Layover.....		11:24					
24th St & Van Buren St.....	8:18					29 / West / 35 / 20161407			
2nd Ave & Van Buren St.....	8:33	Travel by		CAR		Pima Park.....			16:14
19th Ave & Van Buren St.....	8:42					Scottsdale Rd & Thomas Rd.....			16:20
35th Ave & Van Buren St.....	8:52	Car Pull				56th St & Thomas Rd.....			16:27
		37th Av Layover.....		11:32		44th St & Thomas Rd.....			16:36
Deadhead		West Transit Facility.....		11:47		24th St & Thomas Rd.....			16:49
35th Ave & Van Buren St.....	8:52					Central Ave & Thomas Rd.....			17:08
37th Av Layover.....	8:54	Split break		11:47		19th Ave & Thomas Rd.....			17:19
						35th Ave & Thomas Rd.....			17:33
Deadhead		3 / East / 116 / 20162061				51st Ave & Thomas Rd.....			17:46
37th Av Layover.....	9:02	35th Ave & Van Buren St.....		11:35		67th Ave & Thomas Rd.....			17:54
35th Ave & Van Buren St.....	9:05	19th Ave & Van Buren St.....		11:46		Desert Sky TC.....			18:04
		Central Ave & Van Buren St....		11:55					
		24th St & Van Buren St.....		12:09		Pull In			
		44th St & Van Buren St.....		12:18		Desert Sky TC.....			18:04
						West Transit Facility.....			18:18

Phoenix West

Effective: 01/22/2024

2224
Weekday

Duty Type	Block	Report Time	Start Place	Start Time	End Time	End Place	Clear Time	Paid Time	Seat Time
SPL	2118	5:59	WEST	6:04	9:12	WEST	9:12		
	2139	12:12	WEST	12:17	18:27	WEST	18:27	9h28	7h59

Sign-on	5:59	Pull In	Deadhead
		43rd Ave & McDowell Rd.....	44th St & Thomas Rd.....
		8:52	15:23
Block	2118	West Transit Facility.....	44th St & McDowell Rd.....
		9:12	15:28

Pull Out		Split break	17 / West / 124 / 20161239
West Transit Facility.....	6:19		44th St & McDowell Rd.....
59th Ave & Indian School Rd...	6:36	Sign-on	24th St & McDowell Rd.....
			15:54
			Central Ave & McDowell Rd.....
			16:07
41 / East / 137 / 20161893		Block	19th Ave & McDowell Rd.....
			16:15
59th Ave & Indian School Rd...	6:36		43rd Ave & McDowell Rd.....
			16:32
43rd Ave & Indian School Rd.....	6:45	Pull Out	
19th Ave & Indian School Rd.....	7:02	West Transit Facility.....	Deadhead
Central Ave & Indian School Rd.	7:10	44th St & Thomas Rd.....	43rd Ave & McDowell Rd.....
Central Ave & Indian School Rd.	7:14		16:32
24th St & Indian School Rd.....	7:28		43rd Ave & McDowell Rd.....
32nd St & Indian School Rd....	7:33		16:37
		29 / West / 134 / 20161269	
		44th St & Thomas Rd.....	17 / East / 123 / 20161133
		13:07	
Deadhead		24th St & Thomas Rd.....	43rd Ave & McDowell Rd.....
32nd St & Indian School Rd....	7:33	Central Ave & Thomas Rd.....	16:44
44th St & McDowell Rd.....	7:43	19th Ave & Thomas Rd.....	19th Ave & McDowell Rd.....
		35th Ave & Thomas Rd.....	17:00
		51st Ave & Thomas Rd.....	Central Ave & McDowell Rd.....
		14:02	17:10
17 / West / 124 / 20161221			24th St & McDowell Rd.....
44th St & McDowell Rd.....	7:59		17:25
24th St & McDowell Rd.....	8:14	Deadhead	44th St & McDowell Rd.....
Central Ave & McDowell Rd.....	8:27	51st Ave & Thomas Rd.....	17:37
19th Ave & McDowell Rd.....	8:35	51st Ave & Thomas Rd.....	West Transit Facility.....
43rd Ave & McDowell Rd.....	8:52		18:27
		29 / East / 133 / 20161376	
		51st Ave & Thomas Rd.....	
		14:23	
		35th Ave & Thomas Rd.....	
		14:30	
		19th Ave & Thomas Rd.....	
		14:40	
		Central Ave & Thomas Rd.....	
		14:52	
		24th St & Thomas Rd.....	
		15:05	
		44th St & Thomas Rd.....	
		15:23	

Phoenix West

Effective: 01/22/2024

2225

Weekday

Duty Type	Block	Report Time	Start Place	Start Time	End Time	End Place	Clear Time	Paid Time	Seat Time
SPL	2121	6:04	WEST	6:09	10:17	83MC			
	CAR		83MC	10:17	10:29	WEST	10:29		
	2144	12:24	WEST	12:29	18:32	WEST	18:32	10h33	8h34

Sign-on	6:04	Travel by	CAR	41 / West / 139 / 20161905	
Block	2121	Car Pull		32nd St & Indian School Rd....	14:28
Pull Out		83rd Ave & McDowell Rd.....	10:17	24th St & Indian School Rd.....	14:35
West Transit Facility.....	6:24	West Transit Facility.....	10:29	Central Ave & Indian School Rd.	14:50
Thomas Rd at Desert Sky TC..	6:38	Split break	10:29	Central Ave & Indian School Rd.	14:54
				19th Ave & Indian School Rd.....	15:03
				43rd Ave & Indian School Rd.....	15:20
				59th Ave & Indian School Rd...	15:30
29 / East / 31 / 20161251		17 / East / 132 / 20160973		Deadhead	
Thomas Rd at Desert Sky TC..	6:38	83rd Ave & McDowell Rd.....	10:35	59th Ave & Indian School Rd...	15:30
67th Ave & Thomas Rd.....	6:47	67th Ave & McDowell Rd.....	10:42	59th Ave & Indian School Rd...	15:36
51st Ave & Thomas Rd.....	6:58	43rd Ave & McDowell Rd.....	10:54		
35th Ave & Thomas Rd.....	7:07	19th Ave & McDowell Rd.....	11:10		
19th Ave & Thomas Rd.....	7:22	Central Ave & McDowell Rd....	11:20	41 / East / 137 / 20161877	
Central Ave & Thomas Rd.....	7:35	24th St & McDowell Rd.....	11:35	59th Ave & Indian School Rd...	15:55
24th St & Thomas Rd.....	7:45	44th St & McDowell Rd.....	11:47	43rd Ave & Indian School Rd....	16:04
44th St & Thomas Rd.....	7:59	52nd St & McDowell Rd.....	11:51	19th Ave & Indian School Rd.....	16:20
56th St & Thomas Rd.....	8:04	Scottsdale Rd & McDowell Rd	11:59	Central Ave & Indian School Rd.	16:30
Scottsdale Rd & Thomas Rd....	8:11	Pima Rd & McDowell Rd.....	12:07	Central Ave & Indian School Rd.	16:34
Pima Park.....	8:18			24th St & Indian School Rd.....	16:47
		Sign-on	12:24	32nd St & Indian School Rd....	16:52
29 / West / 35 / 20161471		Block	2144	Deadhead	
Pima Park.....	8:40			32nd St & Indian School Rd....	16:52
Scottsdale Rd & Thomas Rd....	8:45	Pull Out		44th St & McDowell Rd.....	17:02
56th St & Thomas Rd.....	8:51	West Transit Facility.....	12:44		
44th St & Thomas Rd.....	8:59	43rd Ave & McDowell Rd.....	13:04	17 / West / 124 / 20161246	
24th St & Thomas Rd.....	9:09			44th St & McDowell Rd.....	17:19
Central Ave & Thomas Rd.....	9:23			24th St & McDowell Rd.....	17:34
19th Ave & Thomas Rd.....	9:32	17 / East / 123 / 20161119		Central Ave & McDowell Rd.....	17:47
35th Ave & Thomas Rd.....	9:44	43rd Ave & McDowell Rd.....	13:04	19th Ave & McDowell Rd.....	17:55
51st Ave & Thomas Rd.....	9:53	19th Ave & McDowell Rd.....	13:20	43rd Ave & McDowell Rd.....	18:12
67th Ave & Thomas Rd.....	10:01	Central Ave & McDowell Rd.....	13:30		
Desert Sky TC.....	10:09	24th St & McDowell Rd.....	13:45	Pull In	
		44th St & McDowell Rd.....	13:57	43rd Ave & McDowell Rd.....	18:12
Deadhead				West Transit Facility.....	18:32
Desert Sky TC.....	10:09	Deadhead			
83rd Ave & McDowell Rd.....	10:17	44th St & McDowell Rd.....	13:57		
		32nd St & Indian School Rd....	14:07		

Phoenix West

Effective: 01/22/2024

2226

Weekday

Duty Type	Block	Report Time	Start Place	Start Time	End Time	End Place	Clear Time	Paid Time	Seat Time
SPL	2122	6:08	WEST	6:13	9:52	83IN			
	CAR		83IN	9:52	10:05	WEST	10:05		
	2138	12:09	WEST	12:14	18:37	WEST	18:37	10h25	8h12

Sign-on	6:08	Car Pull	17 / East / 123 / 20161124
		83rd Ave & Indian School Rd..	9:52
		West Transit Facility.....	10:05
Block	2122		17 / East / 123 / 20161124
			43rd Ave & McDowell Rd.....
			14:04
			19th Ave & McDowell Rd.....
			14:20
			Central Ave & McDowell Rd.....
			14:30
Pull Out		Split break	24th St & McDowell Rd.....
			14:45
West Transit Facility.....	6:28		44th St & McDowell Rd.....
51st Ave & Thomas Rd.....	6:50		14:57

		41 / East / 137 / 20161864	
		83rd Ave & Indian School Rd..	10:02
		59th Ave & Indian School Rd...	10:13
29 / East / 133 / 20161355		43rd Ave & Indian School Rd..	10:22
51st Ave & Thomas Rd.....	6:50	19th Ave & Indian School Rd...	10:37
		Central Ave & Indian School R	10:45
35th Ave & Thomas Rd.....	6:59	Central Ave & Indian School R	10:49
19th Ave & Thomas Rd.....	7:14	24th St & Indian School Rd....	11:03
Central Ave & Thomas Rd.....	7:27	32nd St & Indian School Rd....	11:08
24th St & Thomas Rd.....	7:37		
44th St & Thomas Rd.....	7:51		

Deadhead		Sign-on	12:09
44th St & Thomas Rd.....	7:51		
32nd St & Indian School Rd....	7:58	Block	2138

		Pull Out	
41 / West / 139 / 20161919		West Transit Facility.....	12:29
32nd St & Indian School Rd....	8:39	44th St & McDowell Rd.....	12:59
24th St & Indian School Rd.....	8:46		
Central Ave & Indian School Rd.	9:00		
Central Ave & Indian School Rd.	9:04	17 / West / 124 / 20161226	
19th Ave & Indian School Rd.....	9:12	44th St & McDowell Rd.....	12:59
43rd Ave & Indian School Rd....	9:28	24th St & McDowell Rd.....	13:14
59th Ave & Indian School Rd...	9:38	Central Ave & McDowell Rd.....	13:27

Deadhead		19th Ave & McDowell Rd.....	13:35
59th Ave & Indian School Rd...	9:38	43rd Ave & McDowell Rd.....	13:52
83rd Ave & Indian School Rd..	9:52		

Travel by	CAR	Deadhead	
		43rd Ave & McDowell Rd.....	13:52
		43rd Ave & McDowell Rd.....	13:57

		Pull In	
		44th St & Thomas Rd.....	18:02
		West Transit Facility.....	18:37

Phoenix West

Effective: 01/22/2024

		Duty Type	Block	Report Time	Start Place	Start Time	End Time	End Place	Clear Time	Paid Time	Seat Time	
2227		SPL	2124	6:48	WEST	6:53	12:40	DSTC				
Weekday			CAR		DSTC	12:40	12:54	WEST	12:54			
			CAR	14:24	WEST	14:29	14:43	DSTC				
			2060		DSTC	14:43	18:57	WEST	18:57	10h39	8h38	
<hr/>												
Sign-on	6:48	Deadhead					Car Pull					
		32nd St & Indian School Rd....				10:38	West Transit Facility.....					14:29
Block	2124	44th St & Thomas Rd.....				10:45	Desert Sky TC.....					14:43
<hr/>												
Pull Out		29 / West / 35 / 20161263					Block					2060
West Transit Facility.....	7:08	44th St & Thomas Rd.....				11:27						
32nd St & Indian School Rd....	7:59	24th St & Thomas Rd.....				11:39	MARY / ClkWs / 786 / 20162031					
		Central Ave & Thomas Rd.....				11:53	Desert Sky TC.....					15:00
41 / West / 139 / 20161921		19th Ave & Thomas Rd.....				12:03	59th Ave & Thomas Rd.....					15:11
32nd St & Indian School Rd....	7:59	35th Ave & Thomas Rd.....				12:15	67th Ave & Campbell Ave.....					15:22
24th St & Indian School Rd.....	8:06	51st Ave & Thomas Rd.....				12:24	51st Ave & Indian School Rd.....					15:33
Central Ave & Indian School Rd.	8:20	67th Ave & Thomas Rd.....				12:32	55th Ave & Encanto Blvd.....					15:45
Central Ave & Indian School Rd.	8:24	Desert Sky TC.....				12:40	63rd Ave & Fillmore St.....					15:54
19th Ave & Indian School Rd.....	8:32						75th Ave & Encanto Blvd.....					16:08
43rd Ave & Indian School Rd....	8:48	Travel by				CAR	83rd Ave & Osborn Rd.....					16:25
59th Ave & Indian School Rd...	8:58						Desert Sky TC.....					16:43
<hr/>												
Deadhead		Car Pull										
59th Ave & Indian School Rd...	8:58	Desert Sky TC.....				12:40	MARY / ClkWs / 786 / 20162033					
83rd Ave & Indian School Rd..	9:12	West Transit Facility.....				12:54	Desert Sky TC.....					17:00
		Split break				12:54	59th Ave & Thomas Rd.....					17:11
41 / East / 137 / 20161865							67th Ave & Campbell Ave.....					17:22
83rd Ave & Indian School Rd..	9:32	29 / East / 133 / 20161368					51st Ave & Indian School Rd.....					17:33
59th Ave & Indian School Rd.....	9:43	51st Ave & Thomas Rd.....				13:03	55th Ave & Encanto Blvd.....					17:45
43rd Ave & Indian School Rd....	9:52	35th Ave & Thomas Rd.....				13:10	63rd Ave & Fillmore St.....					17:54
19th Ave & Indian School Rd.....	10:07	19th Ave & Thomas Rd.....				13:20	75th Ave & Encanto Blvd.....					18:08
Central Ave & Indian School Rd.	10:15	Central Ave & Thomas Rd.....				13:32	83rd Ave & Osborn Rd.....					18:25
Central Ave & Indian School Rd.	10:19	24th St & Thomas Rd.....				13:44	Desert Sky TC.....					18:43
24th St & Indian School Rd.....	10:33	44th St & Thomas Rd.....				14:00						
32nd St & Indian School Rd....	10:38						Pull In					
		Sign-on				14:24	Desert Sky TC.....					18:43
							West Transit Facility.....					18:57
<hr/>												
		Travel by				CAR						

Phoenix West

Effective: 01/22/2024

2228
Weekday

Duty Type	Block	Report Time	Start Place	Start Time	End Time	End Place	Clear Time	Paid Time	Seat Time
SPL	2126	7:43	WEST	7:48	11:47	83IN			
	CAR		83IN	11:47	12:00	WEST	12:00		
	CAR	15:19	WEST	15:24	15:37	83IN			
	2085		83IN	15:37	20:00	WEST	20:00	8h58	6h39

Sign-on	7:43	Car Pull			Deadhead				
		83rd Ave & Indian School Rd..		11:47	Granite Reef Rd & Indian Sch			17:48	
Block	2126	West Transit Facility.....		12:00	Pima Rd & Chaparral Rd.....			17:52	
Pull Out		Split break		12:00	Deadhead				
West Transit Facility.....	8:03				Pima Rd & Chaparral Rd.....			18:18	
Thomas Rd at Desert Sky TC..	8:17	<i>41 / East / 137 / 20161886</i>			Granite Reef Rd & Indian Sch			18:22	
		<i>59th Ave & Indian School Rd...</i>		12:35					
<i>29 / East / 133 / 20161234</i>		<i>43rd Ave & Indian School Rd..</i>		12:44	<i>41 / West / 141 / 20161814</i>				
Thomas Rd at Desert Sky TC..	8:17	<i>19th Ave & Indian School Rd...</i>		13:00	Granite Reef Rd & Indian Sch			18:22	
67th Ave & Thomas Rd.....	8:25	<i>Central Ave & Indian School R</i>		13:10	Scottsdale Rd & Indian School			18:27	
51st Ave & Thomas Rd.....	8:32	<i>Central Ave & Indian School R</i>		13:14	56th St & Indian School Rd.....			18:35	
35th Ave & Thomas Rd.....	8:41	<i>24th St & Indian School Rd....</i>		13:28	44th St & Indian School Rd.....			18:40	
19th Ave & Thomas Rd.....	8:56	<i>32nd St & Indian School Rd....</i>		13:33	32nd St & Indian School Rd.....			18:46	
Central Ave & Thomas Rd.....	9:09				24th St & Indian School Rd.....			18:52	
24th St & Thomas Rd.....	9:20	Sign-on		15:19	Central Ave & Indian School Rd.			19:05	
44th St & Thomas Rd.....	9:36				Central Ave & Indian School Rd.			19:09	
		Travel by		CAR	19th Ave & Indian School Rd.....			19:15	
Deadhead					43rd Ave & Indian School Rd.....			19:29	
44th St & Thomas Rd.....	9:36	Car Pull			59th Ave & Indian School Rd.....			19:38	
32nd St & Indian School Rd....	9:43	West Transit Facility.....		15:24	83rd Ave & Indian School Rd..			19:48	
		83rd Ave & Indian School Rd..		15:37					
<i>41 / West / 141 / 20161914</i>					Pull In				
32nd St & Indian School Rd....	10:34	Block		2085	83rd Ave & Indian School Rd..			19:48	
24th St & Indian School Rd.....	10:41				West Transit Facility.....			20:00	
Central Ave & Indian School Rd.	10:55	<i>41 / East / 172 / 20161897</i>							
Central Ave & Indian School Rd.	10:59	83rd Ave & Indian School Rd..		16:14					
19th Ave & Indian School Rd.....	11:08	59th Ave & Indian School Rd.....		16:27					
43rd Ave & Indian School Rd.....	11:24	43rd Ave & Indian School Rd.....		16:36					
59th Ave & Indian School Rd.....	11:34	19th Ave & Indian School Rd.....		16:50					
83rd Ave & Indian School Rd..	11:47	Central Ave & Indian School Rd.		17:00					
		Central Ave & Indian School Rd.		17:04					
Travel by	CAR	24th St & Indian School Rd.....		17:17					
		32nd St & Indian School Rd.....		17:22					
		44th St & Indian School Rd.....		17:28					
		56th St & Indian School Rd.....		17:34					
		Scottsdale Rd & Indian School		17:40					
		Granite Reef Rd & Indian Sch		17:48					

Phoenix West

Effective: 01/22/2024

2229

Weekday

Duty Type	Block	Report Time	Start Place	Start Time	End Time	End Place	Clear Time	Paid Time	Seat Time
SPL	CAR	7:57	WEST	8:02	8:38	BA51			
	2037		BA51	8:38	14:45	51VB			
	CAR		51VB	14:45	15:00	WEST	15:00		
	2166	16:40	WEST	16:45	20:02	WEST	20:02	10h25	8h17

Sign-on	7:57	51 / South / 28 / 20161014				Sign-on			16:40
		ASU West Campus.....		13:56					
Travel by	CAR	51st Ave & Olive Ave.....		14:09		Block			2166
		51st Ave & Glendale Ave.....		14:17					
Car Pull		51st Ave & Camelback Rd.....		14:24		Pull Out			
West Transit Facility.....	8:02	51st Ave & Thomas Rd.....		14:33		West Transit Facility.....			17:00
51st Ave & Baseline Rd.....	8:38	51st Ave & Van Buren St.....		14:45		59th Ave & Indian School Rd...			17:17
Block	2037	Travel by		CAR		41 / East / 137 / 20161875			
		Car Pull				59th Ave & Indian School Rd...			17:17
51 / North / 206 / 20161312		51st Ave & Van Buren St.....		14:45		43rd Ave & Indian School Rd....			17:26
51st Ave & Baseline Rd.....	8:48	West Transit Facility.....		15:00		19th Ave & Indian School Rd.....			17:40
51st Ave & Lower Buckeye Rd...	8:56	Split break		15:00		Central Ave & Indian School Rd.			17:50
51st Ave & Van Buren St.....	9:03					Central Ave & Indian School Rd.			17:54
51st Ave & Thomas Rd.....	9:12	51st Ave & Lower Buckeye Rd		14:53		24th St & Indian School Rd.....			18:07
51st Ave & Camelback Rd.....	9:21	51st Ave & Baseline Rd.....		15:02		32nd St & Indian School Rd....			18:12
51st Ave & Glendale Ave.....	9:27	Vee Quiva Casino.....		15:16		Deadhead			
51st Ave & Olive Ave.....	9:35	Komatke Health Center.....		15:31		32nd St & Indian School Rd....			18:12
ASU West Campus.....	9:47	51st Ave & Pecos Rd.....		15:36		44th St & Thomas Rd.....			18:19
51 / South / 28 / 20160993		51 / North / 206 / 20161328				29 / West / 35 / 20161300			
ASU West Campus.....	9:57	51st Ave & Pecos Rd.....		15:55		44th St & Thomas Rd.....			18:39
51st Ave & Olive Ave.....	10:10	Vee Quiva Casino.....		16:05		24th St & Thomas Rd.....			18:52
51st Ave & Glendale Ave.....	10:18	51st Ave & Baseline Rd.....		16:17		Central Ave & Thomas Rd.....			19:07
51st Ave & Camelback Rd.....	10:25	51st Ave & Lower Buckeye Rd		16:25		19th Ave & Thomas Rd.....			19:17
51st Ave & Thomas Rd.....	10:34	51st Ave & Van Buren St.....		16:34		35th Ave & Thomas Rd.....			19:26
51st Ave & Van Buren St.....	10:45	51st Ave & Thomas Rd.....		16:45		51st Ave & Thomas Rd.....			19:34
51st Ave & Lower Buckeye Rd...	10:52	51st Ave & Camelback Rd.....		16:55		67th Ave & Thomas Rd.....			19:41
51st Ave & Baseline Rd.....	11:00	51st Ave & Glendale Ave.....		17:03		Desert Sky TC.....			19:48
Vee Quiva Casino.....	11:13	51st Ave & Olive Ave.....		17:10					
Komatke Health Center.....	11:28	ASU West Campus.....		17:22		Pull In			
51st Ave & Pecos Rd.....	11:32					Desert Sky TC.....			19:48
						West Transit Facility.....			20:02
51 / North / 206 / 20161320									
51st Ave & Pecos Rd.....	11:56								
Vee Quiva Casino.....	12:06								
51st Ave & Baseline Rd.....	12:18								
51st Ave & Lower Buckeye Rd...	12:26								
51st Ave & Van Buren St.....	12:33								
51st Ave & Thomas Rd.....	12:42								
51st Ave & Camelback Rd.....	12:51								
51st Ave & Glendale Ave.....	12:57								
51st Ave & Olive Ave.....	13:05								
ASU West Campus.....	13:17								

Phoenix West

Effective: 01/22/2024

2230

Weekday

Duty Type	Block	Report Time	Start Place	Start Time	End Time	End Place	Clear Time	Paid Time	Seat Time
SPL	CAR	8:16	WEST	8:21	8:33	83MC			
	2064		83MC	8:33	16:36	WEST	16:36		
	2169	18:11	WEST	18:16	20:25	WEST	20:25	10h34	8h47

Sign-on	8:16	17 / West / 127 / 20161594			Pull In
		Pima Rd & McDowell Rd.....	10:50		Pima Rd & McDowell Rd..... 15:48
Travel by	CAR	Scottsdale Rd & McDowell Rd....	10:57		West Transit Facility..... 16:36
		52nd St & McDowell Rd.....	11:05		
Car Pull		44th St & McDowell Rd.....	11:09		Split break
West Transit Facility.....	8:21	24th St & McDowell Rd.....	11:24		
83rd Ave & McDowell Rd.....	8:33	Central Ave & McDowell Rd.....	11:37		Sign-on
		19th Ave & McDowell Rd.....	11:45		
Block	2064	43rd Ave & McDowell Rd.....	12:02		Block
		67th Ave & McDowell Rd.....	12:14		
		83rd Ave & McDowell Rd.....	12:21		Pull Out
17 / East / 132 / 20160967		99th Ave & McDowell Rd.....	12:29		West Transit Facility..... 18:31
83rd Ave & McDowell Rd.....	8:33	Litchfield Rd & McDowell Rd....	12:44		Thomas Rd at Desert Sky TC.. 18:45
67th Ave & McDowell Rd.....	8:40	Pebble Creek Pkwy & McDow	12:51		
43rd Ave & McDowell Rd.....	8:54	-----	-----		29 / East / 133 / 20161063
19th Ave & McDowell Rd.....	9:10	Deadhead			Thomas Rd at Desert Sky TC.. 18:45
Central Ave & McDowell Rd.....	9:20	Pebble Creek Pkwy & McDow	12:51		67th Ave & Thomas Rd.....
24th St & McDowell Rd.....	9:34	Pebble Creek Pkwy & McDow	12:58		51st Ave & Thomas Rd.....
44th St & McDowell Rd.....	9:46	-----	-----		35th Ave & Thomas Rd.....
52nd St & McDowell Rd.....	9:50	17 / East / 132 / 20160983			19th Ave & Thomas Rd.....
Scottsdale Rd & McDowell Rd....	9:58	Pebble Creek Pkwy & McDow	13:43		Central Ave & Thomas Rd.....
Pima Rd & McDowell Rd.....	10:06	Litchfield Rd & McDowell Rd....	13:50		24th St & Thomas Rd.....
-----	-----	99th Ave & McDowell Rd.....	14:05		44th St & Thomas Rd..... 19:50
Deadhead		83rd Ave & McDowell Rd.....	14:13		-----
Pima Rd & McDowell Rd.....	10:06	67th Ave & McDowell Rd.....	14:20		Pull In
Pima Rd & McDowell Rd.....	10:13	43rd Ave & McDowell Rd.....	14:34		44th St & Thomas Rd..... 19:50
-----	-----	19th Ave & McDowell Rd.....	14:50		West Transit Facility..... 20:25
		Central Ave & McDowell Rd.....	15:00		
		24th St & McDowell Rd.....	15:15		
		44th St & McDowell Rd.....	15:27		
		52nd St & McDowell Rd.....	15:31		
		Scottsdale Rd & McDowell Rd....	15:40		
		Pima Rd & McDowell Rd.....	15:48		
		-----	-----		

Phoenix West

Effective: 01/22/2024

2231
Weekday

Duty Type	Block	Report Time	Start Place	Start Time	End Time	End Place	Clear Time	Paid Time	Seat Time
SPL	CAR	9:06	WEST	9:11	9:19	83VB			
	2022		83VB	9:19	14:40	83VB			
	CAR		83VB	14:40	14:47	WEST	14:47		
	2167	17:06	WEST	17:11	19:29	WEST	19:29	8h04	6h14

Sign-on	9:06	Deadhead	
		83rd Ave & Van Buren St.....	11:46
Travel by	CAR	83rd Ave & Van Buren St.....	11:50
<hr/>			
Car Pull		83 / North / 183 / 20161025	
West Transit Facility.....	9:11	83rd Ave & Van Buren St.....	12:10
83rd Ave & Van Buren St.....	9:19	Desert Sky TC.....	12:21
		83rd Ave & Camelback Rd.....	12:31
		83rd Ave & Glendale Ave.....	12:37
		83rd Ave & Peoria Ave.....	12:49
		83rd Ave & Thunderbird Rd.....	12:55
		Arrowhead Mall North.....	13:06
		Deadhead	
		Arrowhead Mall North.....	13:06
		Arrowhead Mall Layover.....	13:08
		Deadhead	
		Arrowhead Mall Layover.....	13:20
		Arrowhead Mall North.....	13:22
		83 / South / 155 / 20161768	
		Arrowhead Mall North.....	13:22
		83rd Ave & Thunderbird Rd.....	13:33
		83rd Ave & Peoria Ave.....	13:39
		83rd Ave & Glendale Ave.....	13:51
		83rd Ave & Camelback Rd.....	13:57
		Desert Sky TC.....	14:06
		83rd Ave & Van Buren St.....	14:16
		Deadhead	
		83rd Ave & Van Buren St.....	14:16
		83rd Ave & Van Buren St.....	14:20
		Travel by	CAR
		Car Pull	
		83rd Ave & Van Buren St.....	14:40
		West Transit Facility.....	14:47
		Split break	14:47
		83 / North / 183 / 20161035	
		83rd Ave & Van Buren St.....	14:40
		Desert Sky TC.....	14:51
		83rd Ave & Van Buren St.....	15:01
		Desert Sky TC.....	15:07
		83rd Ave & Van Buren St.....	15:07
		83rd Ave & Peoria Ave.....	15:19
		83rd Ave & Thunderbird Rd.....	15:25
		Arrowhead Mall North.....	15:37
		Sign-on	17:06
		Block	2167
		Pull Out	
		West Transit Facility.....	17:26
		Thomas Rd at Desert Sky TC..	17:40
		83 / South / 155 / 20161750	
		Arrowhead Mall North.....	10:52
		83rd Ave & Thunderbird Rd.....	11:03
		83rd Ave & Peoria Ave.....	11:09
		83rd Ave & Glendale Ave.....	11:21
		83rd Ave & Camelback Rd.....	11:27
		Desert Sky TC.....	11:36
		83rd Ave & Van Buren St.....	11:46
		29 / East / 133 / 20161082	
		Thomas Rd at Desert Sky TC..	17:40
		67th Ave & Thomas Rd.....	17:48
		51st Ave & Thomas Rd.....	17:56
		35th Ave & Thomas Rd.....	18:03
		19th Ave & Thomas Rd.....	18:14
		Central Ave & Thomas Rd.....	18:25
		24th St & Thomas Rd.....	18:37
		44th St & Thomas Rd.....	18:54
		Pull In	
		44th St & Thomas Rd.....	18:54
		West Transit Facility.....	19:29

Phoenix West

Effective: 01/22/2024

2232

Weekday

Duty Type	Block	Report Time	Start Place	Start Time	End Time	End Place	Clear Time	Paid Time	Seat Time
SPL	CAR	9:27	WEST	9:32	9:52	43LB			
	2038		43LB	9:52	16:00	43LB			
	CAR		43LB	16:00	16:21	WEST	16:21		
	2168	17:37	WEST	17:42	19:55	WEST	19:55	9h12	7h24

Sign-on	9:27	Deadhead			Split break				16:21
		43rd Ave & Lower Buckeye Rd	12:52						
Travel by	CAR	43rd Ave & Lower Buckeye Rd	12:58		<i>43 / North / 182 / 20161092</i>				
					<i>43rd Ave & Lower Buckeye Rd</i>				16:10
Car Pull		<i>43 / North / 182 / 20161084</i>			<i>43rd Ave & Van Buren St.....</i>				16:17
West Transit Facility.....	9:32	43rd Ave & Lower Buckeye Rd	13:12		<i>43rd Ave & Thomas Rd.....</i>				16:29
43rd Ave & Lower Buckeye Rd	9:52	<i>43rd Ave & Van Buren St.....</i>	13:19		<i>43rd Ave & Camelback Rd.....</i>				16:40
		<i>43rd Ave & Thomas Rd.....</i>	13:29		<i>43rd Ave & Glendale Ave.....</i>				16:49
Block	2038	<i>43rd Ave & Camelback Rd.....</i>	13:40		<i>43rd Ave & Dunlap Ave.....</i>				16:58
		<i>43rd Ave & Glendale Ave.....</i>	13:49		<i>43rd Ave & Thunderbird Rd.....</i>				17:10
Deadhead		<i>43rd Ave & Dunlap Ave.....</i>	13:58		<i>43rd Ave & Union Hills Dr.....</i>				17:20
43rd Ave & Lower Buckeye Rd	9:52	<i>43rd Ave & Thunderbird Rd.....</i>	14:07						
43rd Ave & Lower Buckeye Rd	9:58	43rd Ave & Union Hills Dr.....	14:16		Sign-on				17:37
<i>43 / North / 182 / 20161075</i>		Deadhead			Block				2168
43rd Ave & Lower Buckeye Rd	10:13	43rd Ave & Union Hills Dr.....	14:16						
<i>43rd Ave & Van Buren St.....</i>	10:20	43rd Ave & Union Hills Dr.....	14:23		Pull Out				
<i>43rd Ave & Thomas Rd.....</i>	10:30				West Transit Facility.....				17:57
<i>43rd Ave & Camelback Rd.....</i>	10:40	<i>43 / South / 207 / 20161177</i>			Thomas Rd at Desert Sky TC..				18:11
<i>43rd Ave & Glendale Ave.....</i>	10:49	43rd Ave & Union Hills Dr.....	14:48						
<i>43rd Ave & Dunlap Ave.....</i>	10:57	<i>43rd Ave & Thunderbird Rd.....</i>	14:56		<i>29 / East / 133 / 20161073</i>				
<i>43rd Ave & Thunderbird Rd.....</i>	11:06	<i>43rd Ave & Dunlap Ave.....</i>	15:07		Thomas Rd at Desert Sky TC..				18:11
43rd Ave & Union Hills Dr.....	11:15	<i>43rd Ave & Glendale Ave.....</i>	15:16		<i>67th Ave & Thomas Rd.....</i>				18:19
		<i>43rd Ave & Camelback Rd.....</i>	15:25		<i>51st Ave & Thomas Rd.....</i>				18:27
Deadhead		<i>43rd Ave & Thomas Rd.....</i>	15:35		<i>35th Ave & Thomas Rd.....</i>				18:34
43rd Ave & Union Hills Dr.....	11:15	<i>43rd Ave & Van Buren St.....</i>	15:46		<i>19th Ave & Thomas Rd.....</i>				18:45
43rd Ave & Union Hills Dr.....	11:22	43rd Ave & Lower Buckeye Rd	15:54		<i>Central Ave & Thomas Rd.....</i>				18:55
					<i>24th St & Thomas Rd.....</i>				19:06
<i>43 / South / 207 / 20161164</i>		Deadhead			44th St & Thomas Rd.....				19:20
43rd Ave & Union Hills Dr.....	11:51	43rd Ave & Lower Buckeye Rd	15:54						
<i>43rd Ave & Thunderbird Rd.....</i>	11:58	43rd Ave & Lower Buckeye Rd	16:00		Pull In				
<i>43rd Ave & Dunlap Ave.....</i>	12:08				44th St & Thomas Rd.....				19:20
<i>43rd Ave & Glendale Ave.....</i>	12:16	Travel by		CAR	West Transit Facility.....				19:55
<i>43rd Ave & Camelback Rd.....</i>	12:25								
<i>43rd Ave & Thomas Rd.....</i>	12:34	Car Pull							
<i>43rd Ave & Van Buren St.....</i>	12:45	43rd Ave & Lower Buckeye Rd	16:00						
43rd Ave & Lower Buckeye Rd	12:52	West Transit Facility.....	16:21						

Phoenix West

Effective: 01/22/2024

2233

Weekday

Duty Type	Block	Report Time	Start Place	Start Time	End Time	End Place	Clear Time	Paid Time	Seat Time
SPL	CAR	10:27	WEST	10:32	10:52	43LB			
	2003		43LB	10:52	13:52	43LB			
	CAR		43LB	13:52	14:13	WEST	14:13		
	2165	16:36	WEST	16:41	20:32	WEST	20:32	7h42	5h56

Sign-on	10:27	43 / South / 207 / 20161163			Block			2165
		43rd Ave & Union Hills Dr.....	12:51					
Travel by	CAR	43rd Ave & Thunderbird Rd.....	12:58		Pull Out			
		43rd Ave & Dunlap Ave.....	13:08		West Transit Facility.....			16:56
Car Pull		43rd Ave & Glendale Ave.....	13:16		Thomas Rd at Desert Sky TC..			17:10
West Transit Facility.....	10:32	43rd Ave & Camelback Rd.....	13:25					
43rd Ave & Lower Buckeye Rd	10:52	43rd Ave & Thomas Rd.....	13:34		29 / East / 133 / 20161091			
		43rd Ave & Van Buren St.....	13:45		Thomas Rd at Desert Sky TC..			17:10
Block	2003	43rd Ave & Lower Buckeye Rd	13:52		67th Ave & Thomas Rd.....			17:18
					51st Ave & Thomas Rd.....			17:26
Deadhead		Travel by	CAR		35th Ave & Thomas Rd.....			17:33
43rd Ave & Lower Buckeye Rd	10:52				19th Ave & Thomas Rd.....			17:44
43rd Ave & Lower Buckeye Rd	10:58	Car Pull			Central Ave & Thomas Rd.....			17:55
		43rd Ave & Lower Buckeye Rd	13:52		24th St & Thomas Rd.....			18:07
		West Transit Facility.....	14:13		44th St & Thomas Rd.....			18:25
43 / North / 182 / 20161077		Split break		14:13	Deadhead			
43rd Ave & Lower Buckeye Rd	11:13				44th St & Thomas Rd.....			18:25
43rd Ave & Van Buren St.....	11:20	43 / North / 182 / 20161087			44th St & Thomas Rd.....			18:36
43rd Ave & Thomas Rd.....	11:30	43rd Ave & Lower Buckeye Rd	14:12					
43rd Ave & Camelback Rd.....	11:40	43rd Ave & Van Buren St.....	14:19		29 / West / 35 / 20161302			
43rd Ave & Glendale Ave.....	11:49	43rd Ave & Thomas Rd.....	14:29		44th St & Thomas Rd.....			19:13
43rd Ave & Dunlap Ave.....	11:57	43rd Ave & Camelback Rd.....	14:40		24th St & Thomas Rd.....			19:25
43rd Ave & Thunderbird Rd.....	12:06	43rd Ave & Glendale Ave.....	14:49		Central Ave & Thomas Rd.....			19:37
43rd Ave & Union Hills Dr.....	12:15	43rd Ave & Dunlap Ave.....	14:58		19th Ave & Thomas Rd.....			19:47
		43rd Ave & Thunderbird Rd.....	15:10		35th Ave & Thomas Rd.....			19:56
Deadhead		43rd Ave & Union Hills Dr.....	15:21		51st Ave & Thomas Rd.....			20:04
43rd Ave & Union Hills Dr.....	12:15				67th Ave & Thomas Rd.....			20:11
43rd Ave & Union Hills Dr.....	12:22	Sign-on		16:36	Desert Sky TC.....			20:18
					Pull In			
					Desert Sky TC.....			20:18
					West Transit Facility.....			20:32

Phoenix West

Effective: 01/22/2024

2234

Weekday

Duty Type	Block	Report Time	Start Place	Start Time	End Time	End Place	Clear Time	Paid Time	Seat Time
SPL	CAR	11:34	WEST	11:39	11:54	37VB			
	2078		37VB	11:54	19:34	WEST	19:34		
	CAR	20:56	WEST	21:01	21:13	99MC			
	2011		99MC	21:13	23:43	WEST	23:43	10h47	7h59

Sign-on	11:34	3 / East / 116 / 20162073			3 / West / 118 / 20162154				
		35th Ave & Van Buren St.....	14:35		44th St & Van Buren St.....		18:36		
Travel by	CAR	19th Ave & Van Buren St.....	14:46		24th St & Van Buren St.....		18:49		
		Central Ave & Van Buren St.....	14:55		2nd Ave & Van Buren St.....		19:03		
Car Pull		24th St & Van Buren St.....	15:09		19th Ave & Van Buren St.....		19:10		
West Transit Facility.....	11:39	44th St & Van Buren St.....	15:18		35th Ave & Van Buren St.....		19:19		
37th Av Layover.....	11:54	-----			-----				
		Deadhead			Pull In				
Block	2078	44th St & Van Buren St.....	15:18		35th Ave & Van Buren St.....		19:19		
		44th St Sky Train Station.....	15:23		West Transit Facility.....		19:34		
		-----			-----				
Deadhead		Deadhead			Split break		19:34		
37th Av Layover.....	12:02	44th St Sky Train Station.....	16:00						
35th Ave & Van Buren St.....	12:05	44th St & Van Buren St.....	16:05						
		-----			-----				
3 / East / 116 / 20162063		3 / West / 118 / 20162145			Sign-on		20:56		
35th Ave & Van Buren St.....	12:05	44th St & Van Buren St.....	16:05		Travel by		CAR		
19th Ave & Van Buren St.....	12:16	24th St & Van Buren St.....	16:18						
Central Ave & Van Buren St.....	12:25	2nd Ave & Van Buren St.....	16:33		Car Pull				
24th St & Van Buren St.....	12:39	19th Ave & Van Buren St.....	16:42		West Transit Facility.....		21:01		
44th St & Van Buren St.....	12:48	35th Ave & Van Buren St.....	16:52		99th Ave & McDowell Rd.....		21:13		
		-----			-----				
Deadhead		Deadhead			Block		2011		
44th St & Van Buren St.....	12:48	35th Ave & Van Buren St.....	16:52		Deadhead				
44th St Sky Train Station.....	12:53	37th Av Layover.....	16:54		99th Ave & McDowell Rd.....		21:13		
		-----			-----				
Deadhead		Deadhead			99th Ave & McDowell Rd.....		21:20		
44th St Sky Train Station.....	13:30	37th Av Layover.....	17:02		-----				
44th St & Van Buren St.....	13:35	35th Ave & Van Buren St.....	17:05		17 / East / 132 / 20161688				
		-----			-----				
3 / West / 118 / 20162132		3 / East / 116 / 20162083			99th Ave & McDowell Rd.....		21:42		
44th St & Van Buren St.....	13:35	35th Ave & Van Buren St.....	17:05		83rd Ave & McDowell Rd.....		21:48		
24th St & Van Buren St.....	13:48	19th Ave & Van Buren St.....	17:16		67th Ave & McDowell Rd.....		21:54		
2nd Ave & Van Buren St.....	14:03	Central Ave & Van Buren St.....	17:25		43rd Ave & McDowell Rd.....		22:03		
19th Ave & Van Buren St.....	14:12	24th St & Van Buren St.....	17:39		19th Ave & McDowell Rd.....		22:14		
35th Ave & Van Buren St.....	14:22	44th St & Van Buren St.....	17:48		Central Ave & McDowell Rd.....		22:20		
		-----			-----				
Deadhead		Deadhead			24th St & McDowell Rd.....		22:30		
35th Ave & Van Buren St.....	14:22	44th St & Van Buren St.....	17:48		44th St & McDowell Rd.....		22:39		
37th Av Layover.....	14:24	44th St Sky Train Station.....	17:53		52nd St & McDowell Rd.....		22:42		
		-----			-----				
Deadhead		Deadhead			Scottsdale Rd & McDowell Rd....		22:48		
37th Av Layover.....	14:32	44th St & Van Buren St.....	17:48		Pima Rd & McDowell Rd.....		22:55		
35th Ave & Van Buren St.....	14:35	44th St Sky Train Station.....	17:53		-----				
		-----			-----				
Deadhead		Deadhead			Pull In				
37th Av Layover.....	14:32	44th St Sky Train Station.....	18:31		Pima Rd & McDowell Rd.....		22:55		
35th Ave & Van Buren St.....	14:35	44th St & Van Buren St.....	18:36		West Transit Facility.....		23:43		
		-----			-----				

Phoenix West

Effective: 01/22/2024

		Duty Type	Block	Report Time	Start Place	Start Time	End Time	End Place	Clear Time	Paid Time	Seat Time
2235		SPL	2135	11:56	WEST	12:01	18:44	WEST	18:44		
Weekday			CAR	20:56	WEST	21:01	21:27	BA51			
			2008		BA51	21:27	24:21	WEST	24:21	10h13	8h20
<hr/>											
Sign-on	11:56	41 / West / 139 / 20161904					Car Pull				
		32nd St & Indian School Rd....				15:24	West Transit Facility..... 21:01				
Block	2135	24th St & Indian School Rd.....				15:31	51st Ave & Baseline Rd..... 21:27				
		Central Ave & Indian School Rd.				15:50					
Pull Out		Central Ave & Indian School Rd.				15:54	Block 2008				
West Transit Facility.....	12:16	19th Ave & Indian School Rd.....				16:03					
44th St & Thomas Rd.....	12:51	43rd Ave & Indian School Rd.....				16:24					
		59th Ave & Indian School Rd...				16:35	51st Ave & Baseline Rd..... 21:27				
							51st Ave & Baseline Rd..... 21:32				
<hr/>											
29 / West / 134 / 20161266											
44th St & Thomas Rd.....	12:51	Deadhead									
24th St & Thomas Rd.....	13:03	59th Ave & Indian School Rd...				16:35	51 / North / 206 / 20161338				
Central Ave & Thomas Rd.....	13:16	59th Ave & Indian School Rd...				16:41	51st Ave & Baseline Rd..... 21:52				
19th Ave & Thomas Rd.....	13:26						51st Ave & Lower Buckeye Rd... 21:58				
35th Ave & Thomas Rd.....	13:37	41 / East / 137 / 20161872					51st Ave & Van Buren St..... 22:04				
51st Ave & Thomas Rd.....	13:46	59th Ave & Indian School Rd...				16:57	51st Ave & Thomas Rd..... 22:12				
		43rd Ave & Indian School Rd.....				17:06	51st Ave & Camelback Rd..... 22:18				
Deadhead		19th Ave & Indian School Rd.....				17:20	51st Ave & Glendale Ave..... 22:24				
51st Ave & Thomas Rd.....	13:46	Central Ave & Indian School Rd.				17:30	51st Ave & Olive Ave..... 22:29				
51st Ave & Thomas Rd.....	13:52	Central Ave & Indian School Rd.				17:34	ASU West Campus..... 22:40				
		24th St & Indian School Rd.....				17:47					
		32nd St & Indian School Rd....				17:52	51 / South / 27 / 20161167				
<hr/>											
29 / East / 133 / 20161374											
51st Ave & Thomas Rd.....	14:07	Pull In					ASU West Campus..... 23:07				
35th Ave & Thomas Rd.....	14:14	32nd St & Indian School Rd....				17:52	51st Ave & Olive Ave..... 23:18				
19th Ave & Thomas Rd.....	14:24	West Transit Facility.....				18:44	51st Ave & Glendale Ave..... 23:23				
Central Ave & Thomas Rd.....	14:36						51st Ave & Camelback Rd..... 23:29				
24th St & Thomas Rd.....	14:49	Split break				18:44	51st Ave & Thomas Rd..... 23:34				
44th St & Thomas Rd.....	15:07						51st Ave & Van Buren St..... 23:41				
		Sign-on				20:56	51st Ave & Lower Buckeye Rd... 23:47				
Deadhead							51st Ave & Baseline Rd..... 23:55				
44th St & Thomas Rd.....	15:07	Travel by				CAR	Pull In				
32nd St & Indian School Rd....	15:14						51st Ave & Baseline Rd..... 23:55				
							West Transit Facility..... 24:21				

Phoenix West

Effective: 01/22/2024

2236

Weekday

Duty Type	Block	Report Time	Start Place	Start Time	End Time	End Place	Clear Time	Paid Time	Seat Time
SPL	CAR	12:04	WEST	12:09	12:24	37VB			
	2097		37VB	12:24	18:53	WEST	18:53		
	CAR	20:21	WEST	20:26	20:38	99MC			
	2014		99MC	20:38	23:47	WEST	23:47	10h15	8h03

Sign-on	12:04	3 / East / 116 / 20162075				Sign-on		20:21	
		35th Ave & Van Buren St.....	15:05						
Travel by	CAR	19th Ave & Van Buren St.....	15:16			Travel by		CAR	
		Central Ave & Van Buren St.....	15:25						
Car Pull		24th St & Van Buren St.....	15:39			Car Pull			
West Transit Facility.....	12:09	44th St & Van Buren St.....	15:48			West Transit Facility.....		20:26	
37th Av Layover.....	12:24					99th Ave & McDowell Rd.....		20:38	
		Deadhead							
Block	2097	44th St & Van Buren St.....	15:48			Block		2014	
		44th St Sky Train Station.....	15:53						
		Deadhead							
37th Av Layover.....	12:32	Deadhead				99th Ave & McDowell Rd.....		20:38	
35th Ave & Van Buren St.....	12:35	44th St Sky Train Station.....	16:30			83rd Ave & McDowell Rd.....		20:46	
		44th St & Van Buren St.....	16:35			67th Ave & McDowell Rd.....		20:53	
		3 / East / 116 / 20162065				43rd Ave & McDowell Rd.....		21:03	
35th Ave & Van Buren St.....	12:35	3 / West / 118 / 20162147				19th Ave & McDowell Rd.....		21:14	
19th Ave & Van Buren St.....	12:46	44th St & Van Buren St.....	16:35			Central Ave & McDowell Rd.....		21:20	
Central Ave & Van Buren St.....	12:55	24th St & Van Buren St.....	16:48			24th St & McDowell Rd.....		21:30	
24th St & Van Buren St.....	13:09	2nd Ave & Van Buren St.....	17:03			44th St & McDowell Rd.....		21:39	
44th St & Van Buren St.....	13:18	19th Ave & Van Buren St.....	17:12			52nd St & McDowell Rd.....		21:42	
		35th Ave & Van Buren St.....	17:22			Scottsdale Rd & McDowell Rd...		21:48	
		Deadhead				Pima Rd & McDowell Rd.....		21:55	
Deadhead		44th St & Van Buren St.....	13:18						
44th St Sky Train Station.....	13:23	Deadhead				Deadhead			
		35th Ave & Van Buren St.....	17:22			Pima Rd & McDowell Rd.....		21:55	
Deadhead		37th Av Layover.....	17:24			52nd St & McDowell Rd.....		22:10	
44th St Sky Train Station.....	14:00	Deadhead							
44th St & Van Buren St.....	14:05	37th Av Layover.....	17:32			17 / West / 253 / 20161393			
		35th Ave & Van Buren St.....	17:35			52nd St & McDowell Rd.....		22:34	
		3 / West / 118 / 20162137				44th St & McDowell Rd.....		22:37	
44th St & Van Buren St.....	14:05	3 / East / 116 / 20162085				24th St & McDowell Rd.....		22:47	
24th St & Van Buren St.....	14:18	35th Ave & Van Buren St.....	17:35			Central Ave & McDowell Rd.....		22:57	
2nd Ave & Van Buren St.....	14:33	19th Ave & Van Buren St.....	17:46			19th Ave & McDowell Rd.....		23:02	
19th Ave & Van Buren St.....	14:42	Central Ave & Van Buren St.....	17:55			43rd Ave & McDowell Rd.....		23:14	
35th Ave & Van Buren St.....	14:52	24th St & Van Buren St.....	18:09			67th Ave & McDowell Rd.....		23:23	
		44th St & Van Buren St.....	18:18			83rd Ave & McDowell Rd.....		23:30	
		Deadhead				99th Ave & McDowell Rd.....		23:37	
Deadhead		35th Ave & Van Buren St.....	14:52						
37th Av Layover.....	14:54	Pull In				Pull In			
		44th St & Van Buren St.....	18:18			99th Ave & McDowell Rd.....		23:37	
		West Transit Facility.....	18:53			West Transit Facility.....		23:47	
Deadhead		Split break		18:53					
37th Av Layover.....	15:02								
35th Ave & Van Buren St.....	15:05								

Phoenix West

Effective: 01/22/2024

2237

Weekday

Duty Type	Block	Report Time	Start Place	Start Time	End Time	End Place	Clear Time	Paid Time	Seat Time
SPL	2145	12:28	WEST	12:33	18:47	WEST	18:47		
	CAR	20:06	WEST	20:11	20:22	51HD			
	2018		51HD	20:22	23:36	WEST	23:36	9h49	8h11

Sign-on	12:28	17 / West / 124 / 20161242				59 / North / 830 / 20161521			
		44th St & McDowell Rd.....		15:59		59th Ave & Buckeye Rd.....			20:26
Block	2145	24th St & McDowell Rd.....		16:14		59th Ave & Van Buren St.....			20:28
		Central Ave & McDowell Rd.....		16:27		59th Ave & Thomas Rd.....			20:36
Pull Out		19th Ave & McDowell Rd.....		16:35		59th Ave & Camelback Rd.....			20:43
West Transit Facility.....	12:48	43rd Ave & McDowell Rd.....		16:52		59th Ave & Glendale Ave.....			20:52
44th St & Thomas Rd.....	13:23					59th Ave & Olive Ave.....			21:00
		Deadhead				59th Ave & Thunderbird Rd.....			21:10
29 / West / 134 / 20161270		43rd Ave & McDowell Rd.....		16:52		59th Ave & Bell Rd.....			21:17
44th St & Thomas Rd.....	13:23	43rd Ave & McDowell Rd.....		16:57		59th Ave & Beardsley Rd.....			21:24
24th St & Thomas Rd.....	13:35								
Central Ave & Thomas Rd.....	13:48	17 / East / 123 / 20161134				Deadhead			
19th Ave & Thomas Rd.....	13:58	43rd Ave & McDowell Rd.....		17:04		59th Ave & Beardsley Rd.....			21:24
35th Ave & Thomas Rd.....	14:09	19th Ave & McDowell Rd.....		17:20		59th Ave & Camelback Rd.....			21:54
51st Ave & Thomas Rd.....	14:18	Central Ave & McDowell Rd.....		17:30					
		24th St & McDowell Rd.....		17:45		59 / South / 220 / 20161542			
Deadhead		44th St & McDowell Rd.....		17:57		59th Ave & Camelback Rd.....			22:06
51st Ave & Thomas Rd.....	14:18					59th Ave & Thomas Rd.....			22:13
51st Ave & Thomas Rd.....	14:24	Pull In				59th Ave & Van Buren St.....			22:20
		44th St & McDowell Rd.....		17:57		59th Ave & Buckeye Rd.....			22:23
29 / East / 133 / 20161377		West Transit Facility.....		18:47					
51st Ave & Thomas Rd.....	14:37					Deadhead			
35th Ave & Thomas Rd.....	14:45	Split break		18:47		59th Ave & Buckeye Rd.....			22:23
19th Ave & Thomas Rd.....	14:56					51st Ave & Hadley St.....			22:27
Central Ave & Thomas Rd.....	15:08	Sign-on		20:06					
24th St & Thomas Rd.....	15:21					Deadhead			
44th St & Thomas Rd.....	15:39	Travel by		CAR		51st Ave & Hadley St.....			22:53
						59th Ave & Buckeye Rd.....			22:57
Deadhead		Car Pull							
44th St & Thomas Rd.....	15:39	West Transit Facility.....		20:11		59 / North / 266 / 20161531			
44th St & McDowell Rd.....	15:44	51st Ave & Hadley St.....		20:22		59th Ave & Buckeye Rd.....			22:57
						59th Ave & Van Buren St.....			22:59
		Block		2018		59th Ave & Thomas Rd.....			23:06
						59th Ave & Camelback Rd.....			23:13
		Deadhead							
		51st Ave & Hadley St.....		20:22		Pull In			
		59th Ave & Buckeye Rd.....		20:26		59th Ave & Camelback Rd.....			23:13
						West Transit Facility.....			23:36

Phoenix West

Effective: 01/22/2024

2238

Weekday

Duty Type	Block	Report Time	Start Place	Start Time	End Time	End Place	Clear Time	Paid Time	Seat Time
SPL	2148	12:44	WEST	12:49	18:49	WEST	18:49		
	CAR	20:20	WEST	20:25	20:51	BA51			
	2032		BA51	20:51	24:07	WEST	24:07	9h52	8h18

Sign-on	12:44	29 / East / 133 / 20161386				Car Pull			
		51st Ave & Thomas Rd.....	16:13			West Transit Facility.....	20:25		
Block	2148	35th Ave & Thomas Rd.....	16:21			51st Ave & Baseline Rd.....	20:51		
		19th Ave & Thomas Rd.....	16:32						
Pull Out		Central Ave & Thomas Rd.....	16:44			Block		2032	
West Transit Facility.....	13:04	24th St & Thomas Rd.....	16:56						
43rd Ave & McDowell Rd.....	13:24	44th St & Thomas Rd.....	17:14						
		-----				51 / North / 206 / 20161336			
17 / East / 123 / 20161121		Deadhead				51st Ave & Baseline Rd.....	20:51		
43rd Ave & McDowell Rd.....	13:24	44th St & Thomas Rd.....	17:14			51st Ave & Lower Buckeye Rd...	20:58		
19th Ave & McDowell Rd.....	13:40	32nd St & Indian School Rd....	17:21			51st Ave & Van Buren St.....	21:04		
Central Ave & McDowell Rd.....	13:50	-----				51st Ave & Thomas Rd.....	21:12		
24th St & McDowell Rd.....	14:05	41 / West / 139 / 20161895				51st Ave & Camelback Rd.....	21:18		
44th St & McDowell Rd.....	14:17	32nd St & Indian School Rd....	17:30			51st Ave & Glendale Ave.....	21:24		
		24th St & Indian School Rd.....	17:36			51st Ave & Olive Ave.....	21:30		
Deadhead		Central Ave & Indian School Rd.	17:50			ASU West Campus.....	21:41		
44th St & McDowell Rd.....	14:17	Central Ave & Indian School Rd.	17:54			-----			
44th St & Thomas Rd.....	14:22	19th Ave & Indian School Rd.....	18:03			51 / South / 28 / 20161123			
		43rd Ave & Indian School Rd....	18:20			ASU West Campus.....	22:02		
29 / West / 134 / 20161276		59th Ave & Indian School Rd...	18:31			51st Ave & Olive Ave.....	22:14		
44th St & Thomas Rd.....	14:40	-----				51st Ave & Glendale Ave.....	22:20		
24th St & Thomas Rd.....	14:52	Pull In				51st Ave & Camelback Rd.....	22:27		
Central Ave & Thomas Rd.....	15:08	59th Ave & Indian School Rd...	18:31			51st Ave & Thomas Rd.....	22:34		
19th Ave & Thomas Rd.....	15:19	West Transit Facility.....	18:49			51st Ave & Van Buren St.....	22:42		
35th Ave & Thomas Rd.....	15:35	-----				51st Ave & Lower Buckeye Rd...	22:48		
51st Ave & Thomas Rd.....	15:46	Split break	18:49			51st Ave & Baseline Rd.....	22:56		
		-----				Vee Quiva Casino.....	23:08		
Deadhead		Sign-on	20:20			Komatke Health Center.....	23:23		
51st Ave & Thomas Rd.....	15:46	-----				51st Ave & Pecos Rd.....	23:27		
51st Ave & Thomas Rd.....	15:52	Travel by	CAR			-----			
		-----				Pull In			
						51st Ave & Pecos Rd.....	23:27		
						West Transit Facility.....	24:07		

Phoenix West

Effective: 01/22/2024

2239

Weekday

Duty Type	Block	Report Time	Start Place	Start Time	End Time	End Place	Clear Time	Paid Time	Seat Time
SPL	2150	12:58	WEST	13:03	18:57	WEST	18:57		
	CAR	20:19	WEST	20:24	20:32	83VB			
	2017		83VB	20:32	24:37	WEST	24:37	10h17	8h38

Sign-on	12:58	Deadhead			Deadhead				
		44th St & Thomas Rd.....		17:30	Galvin Pkwy & Van Buren St...			21:32	
Block	2150	44th St & McDowell Rd.....		17:35	Galvin Pkwy & Van Buren St...			21:38	
Pull Out		17 / West / 124 / 20161252			3 / West / 104 / 20162162				
West Transit Facility.....	13:18	44th St & McDowell Rd.....		17:44	Galvin Pkwy & Van Buren St...			21:56	
59th Ave & Indian School Rd...	13:35	24th St & McDowell Rd.....		17:59	44th St & Van Buren St.....			22:03	
		Central Ave & McDowell Rd.....		18:12	24th St & Van Buren St.....			22:11	
41 / East / 137 / 20161883		19th Ave & McDowell Rd.....		18:20	2nd Ave & Van Buren St.....			22:18	
59th Ave & Indian School Rd...	13:35	43rd Ave & McDowell Rd.....		18:37	19th Ave & Van Buren St.....			22:24	
43rd Ave & Indian School Rd....	13:44				35th Ave & Van Buren St.....			22:31	
19th Ave & Indian School Rd.....	14:00	Pull In			51st Ave & Van Buren St.....			22:38	
Central Ave & Indian School Rd.	14:10	43rd Ave & McDowell Rd.....		18:37	67th Ave & Van Buren St.....			22:44	
Central Ave & Indian School Rd.	14:14	West Transit Facility.....		18:57	83rd Ave & Van Buren St.....			22:50	
24th St & Indian School Rd.....	14:28								
32nd St & Indian School Rd....	14:33	Split break		18:57	Deadhead				
		Sign-on		20:19	83rd Ave & Van Buren St.....			22:50	
Deadhead		32nd St & Indian School Rd....		14:33	83rd Ave & Van Buren St.....			22:54	
44th St & Thomas Rd.....	14:40	44th St & Thomas Rd.....		14:40	Travel by	CAR			
		29 / West / 134 / 20161279							
44th St & Thomas Rd.....	14:52	Car Pull			3 / East / 181 / 20162099				
24th St & Thomas Rd.....	15:05	West Transit Facility.....		20:24	83rd Ave & Van Buren St.....			23:07	
Central Ave & Thomas Rd.....	15:24	83rd Ave & Van Buren St.....		20:32	67th Ave & Van Buren St.....			23:12	
19th Ave & Thomas Rd.....	15:35				51st Ave & Van Buren St.....			23:19	
35th Ave & Thomas Rd.....	15:51	Block		2017	35th Ave & Van Buren St.....			23:26	
51st Ave & Thomas Rd.....	16:02				19th Ave & Van Buren St.....			23:33	
		3 / East / 181 / 20162091			Central Ave & Van Buren St.....			23:40	
Deadhead		83rd Ave & Van Buren St.....		20:32	24th St & Van Buren St.....			23:48	
51st Ave & Thomas Rd.....	16:02	67th Ave & Van Buren St.....		20:37	44th St & Van Buren St.....			23:56	
51st Ave & Thomas Rd.....	16:08	51st Ave & Van Buren St.....		20:46	Galvin Pkwy & Van Buren St...			24:02	
		35th Ave & Van Buren St.....		20:55					
29 / East / 133 / 20161390		19th Ave & Van Buren St.....		21:03	Pull In				
51st Ave & Thomas Rd.....	16:30	Central Ave & Van Buren St.....		21:10	Galvin Pkwy & Van Buren St...			24:02	
35th Ave & Thomas Rd.....	16:38	24th St & Van Buren St.....		21:18	West Transit Facility.....			24:37	
19th Ave & Thomas Rd.....	16:49	44th St & Van Buren St.....		21:26					
Central Ave & Thomas Rd.....	17:00	Galvin Pkwy & Van Buren St...		21:32					
24th St & Thomas Rd.....	17:12								
44th St & Thomas Rd.....	17:30								

Phoenix West

Effective: 01/22/2024

2240

Weekday

Duty Type	Block	Report Time	Start Place	Start Time	End Time	End Place	Clear Time	Paid Time	Seat Time
SPL	2151	13:09	WEST	13:14	19:09	WEST	19:09		
	CAR	20:25	WEST	20:30	20:50	43LB			
	2026		43LB	20:50	24:42	WEST	24:42	10h17	8h19

Sign-on	13:09	Deadhead			Deadhead				
		44th St & McDowell Rd.....		17:17	43rd Ave & Union Hills Dr.....			21:37	
Block	2151	32nd St & Indian School Rd....		17:27	43rd Ave & Union Hills Dr.....			21:44	
Pull Out		41 / West / 139 / 20161898			43 / South / 207 / 20161198				
West Transit Facility.....	13:29	32nd St & Indian School Rd....		17:50	43rd Ave & Union Hills Dr.....			21:55	
51st Ave & Thomas Rd.....	13:51	24th St & Indian School Rd.....		17:56	43rd Ave & Thunderbird Rd.....			22:02	
		Central Ave & Indian School Rd.		18:10	43rd Ave & Dunlap Ave.....			22:11	
29 / East / 133 / 20161372		Central Ave & Indian School Rd.		18:14	43rd Ave & Glendale Ave.....			22:18	
51st Ave & Thomas Rd.....	13:51	19th Ave & Indian School Rd.....		18:23	43rd Ave & Camelback Rd.....			22:25	
35th Ave & Thomas Rd.....	13:58	43rd Ave & Indian School Rd....		18:40	43rd Ave & Thomas Rd.....			22:33	
19th Ave & Thomas Rd.....	14:08	59th Ave & Indian School Rd...		18:51	43rd Ave & Van Buren St.....			22:41	
Central Ave & Thomas Rd.....	14:20				43rd Ave & Lower Buckeye Rd			22:48	
24th St & Thomas Rd.....	14:32	Pull In							
44th St & Thomas Rd.....	14:49	59th Ave & Indian School Rd...		18:51	Deadhead				
		West Transit Facility.....		19:09	43rd Ave & Lower Buckeye Rd			22:48	
Deadhead					43rd Ave & Lower Buckeye Rd			22:54	
44th St & Thomas Rd.....	14:49	Split break		19:09					
44th St & McDowell Rd.....	14:54				43 / North / 182 / 20161108				
		Sign-on		20:25	43rd Ave & Lower Buckeye Rd			23:21	
17 / West / 124 / 20161237					43rd Ave & Van Buren St.....			23:27	
44th St & McDowell Rd.....	15:19	Travel by		CAR	43rd Ave & Thomas Rd.....			23:34	
24th St & McDowell Rd.....	15:34				43rd Ave & Camelback Rd.....			23:40	
Central Ave & McDowell Rd.....	15:47	Car Pull			43rd Ave & Glendale Ave.....			23:46	
19th Ave & McDowell Rd.....	15:55	West Transit Facility.....		20:30	43rd Ave & Dunlap Ave.....			23:52	
43rd Ave & McDowell Rd.....	16:12	43rd Ave & Lower Buckeye Rd		20:50	43rd Ave & Thunderbird Rd.....			24:00	
					43rd Ave & Union Hills Dr.....			24:07	
Deadhead		Block		2026					
43rd Ave & McDowell Rd.....	16:12				Pull In				
43rd Ave & McDowell Rd.....	16:17	43 / North / 182 / 20161104			43rd Ave & Union Hills Dr.....			24:07	
		43rd Ave & Lower Buckeye Rd		20:50	West Transit Facility.....			24:42	
17 / East / 123 / 20161132		43rd Ave & Van Buren St.....		20:56					
43rd Ave & McDowell Rd.....	16:24	43rd Ave & Thomas Rd.....		21:04					
19th Ave & McDowell Rd.....	16:40	43rd Ave & Camelback Rd.....		21:10					
Central Ave & McDowell Rd.....	16:50	43rd Ave & Glendale Ave.....		21:16					
24th St & McDowell Rd.....	17:05	43rd Ave & Dunlap Ave.....		21:22					
44th St & McDowell Rd.....	17:17	43rd Ave & Thunderbird Rd.....		21:30					
		43rd Ave & Union Hills Dr.....		21:37					

Phoenix West

Effective: 01/22/2024

2001
Saturday

Duty Type	Block	Report Time	Start Place	Start Time	End Time	End Place	Clear Time	Paid Time	Seat Time
ST	2001	3:47	WEST	3:52	14:13	67TH	14:29	10h42	8h11
	CAR		67TH	14:13	14:29	WEST	14:29		

Sign-on	3:47	29 / West / 199 / 20163879	Deadhead
		Pima Park.....	7:59
Block	2001	Scottsdale Rd & Thomas Rd.....	8:04
		56th St & Thomas Rd.....	8:10
Pull Out		44th St & Thomas Rd.....	8:16
West Transit Facility.....	4:07	24th St & Thomas Rd.....	8:28
56th St & Thomas Rd.....	4:42	Central Ave & Thomas Rd.....	8:40
		19th Ave & Thomas Rd.....	8:46
		35th Ave & Thomas Rd.....	8:54
29 / West / 199 / 20164302		51st Ave & Thomas Rd.....	9:00
56th St & Thomas Rd.....	4:42	67th Ave & Thomas Rd.....	9:07
44th St & Thomas Rd.....	4:48	Desert Sky TC.....	9:16
24th St & Thomas Rd.....	4:58	Desert Sky TC.....	9:19
Central Ave & Thomas Rd.....	5:10	93rd Ave & Thomas Rd.....	9:24
19th Ave & Thomas Rd.....	5:16		
35th Ave & Thomas Rd.....	5:24	Deadhead	
51st Ave & Thomas Rd.....	5:30	93rd Ave & Thomas Rd.....	9:24
67th Ave & Thomas Rd.....	5:37	94th Av Layover.....	9:25
Desert Sky TC.....	5:44		
Desert Sky TC.....	5:47	Deadhead	
93rd Ave & Thomas Rd.....	5:52	94th Av Layover.....	10:04
		93rd Ave & Thomas Rd.....	10:05
Deadhead		29 / East / 31 / 20163850	
93rd Ave & Thomas Rd.....	5:52	93rd Ave & Thomas Rd.....	10:05
94th Av Layover.....	5:53	Thomas Rd at Desert Sky TC....	10:11
		67th Ave & Thomas Rd.....	10:18
Deadhead		51st Ave & Thomas Rd.....	10:25
94th Av Layover.....	6:10	35th Ave & Thomas Rd.....	10:32
93rd Ave & Thomas Rd.....	6:11	19th Ave & Thomas Rd.....	10:42
		Central Ave & Thomas Rd.....	10:50
29 / East / 31 / 20163846		24th St & Thomas Rd.....	11:01
93rd Ave & Thomas Rd.....	6:11	44th St & Thomas Rd.....	11:15
Thomas Rd at Desert Sky TC....	6:16	56th St & Thomas Rd.....	11:22
67th Ave & Thomas Rd.....	6:22	Scottsdale Rd & Thomas Rd.....	11:28
51st Ave & Thomas Rd.....	6:28	Pima Park.....	11:35
35th Ave & Thomas Rd.....	6:35		
19th Ave & Thomas Rd.....	6:43	29 / West / 199 / 20163887	
Central Ave & Thomas Rd.....	6:50	Pima Park.....	11:53
24th St & Thomas Rd.....	7:01	Scottsdale Rd & Thomas Rd.....	11:58
44th St & Thomas Rd.....	7:11	56th St & Thomas Rd.....	12:04
56th St & Thomas Rd.....	7:17	44th St & Thomas Rd.....	12:12
Scottsdale Rd & Thomas Rd.....	7:23	24th St & Thomas Rd.....	12:26
Pima Park.....	7:30	Central Ave & Thomas Rd.....	12:40
		19th Ave & Thomas Rd.....	12:47
		35th Ave & Thomas Rd.....	12:57
		51st Ave & Thomas Rd.....	13:04
		67th Ave & Thomas Rd.....	13:11
		Desert Sky TC.....	13:21
		Desert Sky TC.....	13:24
		93rd Ave & Thomas Rd.....	13:30
		Deadhead	
		93rd Ave & Thomas Rd.....	13:30
		94th Av Layover.....	13:31
		Deadhead	
		94th Av Layover.....	13:59
		93rd Ave & Thomas Rd.....	14:00
		29 / East / 31 / 20163855	
		93rd Ave & Thomas Rd.....	14:00
		Thomas Rd at Desert Sky TC....	14:06
		67th Ave & Thomas Rd.....	14:13
		Travel by	CAR
		Car Pull	
		67th Ave & Thomas Rd.....	14:13
		West Transit Facility.....	14:29
		51st Ave & Thomas Rd.....	14:23
		35th Ave & Thomas Rd.....	14:32
		19th Ave & Thomas Rd.....	14:42
		Central Ave & Thomas Rd.....	14:50
		24th St & Thomas Rd.....	15:03
		44th St & Thomas Rd.....	15:18
		56th St & Thomas Rd.....	15:25
		Scottsdale Rd & Thomas Rd...	15:31
		Pima Park.....	15:38
		29 / West / 199 / 20163897	
		Pima Park.....	15:51
		Scottsdale Rd & Thomas Rd...	15:56
		56th St & Thomas Rd.....	16:02
		44th St & Thomas Rd.....	16:11
		24th St & Thomas Rd.....	16:25
		Central Ave & Thomas Rd.....	16:40
		19th Ave & Thomas Rd.....	16:47
		35th Ave & Thomas Rd.....	16:56
		51st Ave & Thomas Rd.....	17:03
		67th Ave & Thomas Rd.....	17:10
		Desert Sky TC.....	17:20
		Desert Sky TC.....	17:23
		93rd Ave & Thomas Rd.....	17:29

Phoenix West

Effective: 01/22/2024

2002
Saturday

Duty Type	Block	Report Time	Start Place	Start Time	End Time	End Place	Clear Time	Paid Time	Seat Time
ST	2002	3:49	WEST	3:54	14:12	59IN	14:33	10h44	8h39
	CAR		59IN	14:12	14:33	WEST			

Sign-on	3:49	Deadhead		Deadhead	
		Pima Rd & Chaparral Rd.....	8:22	Pima Rd & Chaparral Rd.....	12:52
Block	2002	Granite Reef Rd & Indian Sch	8:26	Granite Reef Rd & Indian Sch	12:56
<hr/>					
Pull Out		41 / West / 724 / 20163695		41 / West / 724 / 20163716	
West Transit Facility.....	4:09	Granite Reef Rd & Indian Sch	8:26	Granite Reef Rd & Indian Sch	12:56
56th St & Indian School Rd.....	4:44	Scottsdale Rd & Indian School	8:31	Scottsdale Rd & Indian School	13:01
		56th St & Indian School Rd.....	8:38	56th St & Indian School Rd.....	13:08
		44th St & Indian School Rd.....	8:42	44th St & Indian School Rd.....	13:12
41 / West / 724 / 20164309		32nd St & Indian School Rd.....	8:48	32nd St & Indian School Rd.....	13:18
56th St & Indian School Rd.....	4:44	24th St & Indian School Rd.....	8:53	24th St & Indian School Rd.....	13:23
44th St & Indian School Rd.....	4:47	Central Ave & Indian School Rd.	9:05	Central Ave & Indian School Rd.	13:35
32nd St & Indian School Rd.....	4:51	Central Ave & Indian School Rd.	9:09	Central Ave & Indian School Rd.	13:39
24th St & Indian School Rd.....	4:55	19th Ave & Indian School Rd.....	9:17	19th Ave & Indian School Rd.....	13:47
Central Ave & Indian School Rd.	5:05	43rd Ave & Indian School Rd.....	9:33	43rd Ave & Indian School Rd.....	14:03
Central Ave & Indian School Rd.	5:09	59th Ave & Indian School Rd.....	9:42	59th Ave & Indian School Rd...	14:12
19th Ave & Indian School Rd.....	5:15	83rd Ave & Indian School Rd.....	9:54		
43rd Ave & Indian School Rd.....	5:28	107th Ave & Indian School Rd.	10:06	Travel by	CAR
59th Ave & Indian School Rd.....	5:35				
83rd Ave & Indian School Rd.....	5:45	Deadhead		Car Pull	
107th Ave & Indian School Rd.	5:56	107th Ave & Indian School Rd.	10:06	59th Ave & Indian School Rd...	14:12
		107th Ave & Indian School Rd.	10:12	West Transit Facility.....	14:33
Deadhead					
107th Ave & Indian School Rd.	5:56	41 / East / 172 / 20163668		83rd Ave & Indian School Rd..	14:24
107th Ave & Indian School Rd.	6:02	107th Ave & Indian School Rd.	10:40	107th Ave & Indian School Rd.	14:36
		83rd Ave & Indian School Rd.....	10:48		
41 / East / 172 / 20163690		59th Ave & Indian School Rd.....	10:59	41 / East / 172 / 20163684	
107th Ave & Indian School Rd.	6:18	43rd Ave & Indian School Rd.....	11:08	107th Ave & Indian School Rd.	15:10
83rd Ave & Indian School Rd.....	6:26	19th Ave & Indian School Rd.....	11:24	83rd Ave & Indian School Rd..	15:18
59th Ave & Indian School Rd.....	6:35	Central Ave & Indian School Rd.	11:33	59th Ave & Indian School Rd...	15:29
43rd Ave & Indian School Rd.....	6:44	Central Ave & Indian School Rd.	11:37	43rd Ave & Indian School Rd..	15:38
19th Ave & Indian School Rd.....	6:56	24th St & Indian School Rd.....	11:51	19th Ave & Indian School Rd...	15:54
Central Ave & Indian School Rd.	7:03	32nd St & Indian School Rd.....	11:55	Central Ave & Indian School R	16:03
Central Ave & Indian School Rd.	7:07	44th St & Indian School Rd.....	12:02	Central Ave & Indian School R	16:07
24th St & Indian School Rd.....	7:17	56th St & Indian School Rd.....	12:05	24th St & Indian School Rd.....	16:21
32nd St & Indian School Rd.....	7:20	Scottsdale Rd & Indian School	12:12	32nd St & Indian School Rd....	16:25
44th St & Indian School Rd.....	7:27	Granite Reef Rd & Indian Sch	12:20	44th St & Indian School Rd.....	16:32
56th St & Indian School Rd.....	7:30			56th St & Indian School Rd.....	16:35
Scottsdale Rd & Indian School	7:37	Deadhead		Scottsdale Rd & Indian Schoo	16:42
Granite Reef Rd & Indian Sch	7:45	Granite Reef Rd & Indian Sch	12:20	Granite Reef Rd & Indian Sch	16:50
		Pima Rd & Chaparral Rd.....	12:24		
Deadhead					
Granite Reef Rd & Indian Sch	7:45				
Pima Rd & Chaparral Rd.....	7:49				

Phoenix West

Effective: 01/22/2024

2003
Saturday

Duty Type	Block	Report Time	Start Place	Start Time	End Time	End Place	Clear Time	Paid Time	Seat Time
ST	2003	3:50	WEST 94TH	3:55	12:44	94TH	13:00	9h10	7h21

Sign-on	3:50	Deadhead				29 / West / 199 / 20163885			
		56th St & Thomas Rd.....		6:47		Pima Park.....		10:53	
Block	2003	Pima Park.....		7:02		Scottsdale Rd & Thomas Rd.....		10:58	
						56th St & Thomas Rd.....		11:04	
Pull Out		29 / West / 199 / 20163878				44th St & Thomas Rd.....		11:12	
West Transit Facility.....	4:10	Pima Park.....		7:29		24th St & Thomas Rd.....		11:26	
Central Ave & Thomas Rd.....	4:40	Scottsdale Rd & Thomas Rd.....		7:34		Central Ave & Thomas Rd.....		11:40	
		56th St & Thomas Rd.....		7:40		19th Ave & Thomas Rd.....		11:47	
29 / West / 199 / 20164306		44th St & Thomas Rd.....		7:46		35th Ave & Thomas Rd.....		11:57	
Central Ave & Thomas Rd.....	4:40	24th St & Thomas Rd.....		7:58		51st Ave & Thomas Rd.....		12:04	
19th Ave & Thomas Rd.....	4:46	Central Ave & Thomas Rd.....		8:10		67th Ave & Thomas Rd.....		12:11	
35th Ave & Thomas Rd.....	4:54	19th Ave & Thomas Rd.....		8:16		Desert Sky TC.....		12:20	
51st Ave & Thomas Rd.....	5:00	35th Ave & Thomas Rd.....		8:24		Desert Sky TC.....		12:23	
67th Ave & Thomas Rd.....	5:07	51st Ave & Thomas Rd.....		8:30		93rd Ave & Thomas Rd.....		12:29	
Desert Sky TC.....	5:14	67th Ave & Thomas Rd.....		8:37					
Desert Sky TC.....	5:17	Desert Sky TC.....		8:44		Deadhead			
93rd Ave & Thomas Rd.....	5:22	Desert Sky TC.....		8:47		93rd Ave & Thomas Rd.....		12:29	
		93rd Ave & Thomas Rd.....		8:52		94th Av Layover.....		12:30	
Deadhead									
93rd Ave & Thomas Rd.....	5:22	Deadhead				Travel by		CAR	
94th Av Layover.....	5:23	93rd Ave & Thomas Rd.....		8:52					
		94th Av Layover.....		8:53		Car Pull			
Deadhead						94th Av Layover.....		12:44	
94th Av Layover.....	5:40	Deadhead				West Transit Facility.....		13:00	
93rd Ave & Thomas Rd.....	5:41	94th Av Layover.....		9:05					
		93rd Ave & Thomas Rd.....		9:06		29 / East / 31 / 20163853			
29 / East / 257 / 20164022						93rd Ave & Thomas Rd.....		13:00	
93rd Ave & Thomas Rd.....	5:41	29 / East / 31 / 20163849				Thomas Rd at Desert Sky TC..		13:06	
Thomas Rd at Desert Sky TC....	5:46	93rd Ave & Thomas Rd.....		9:06		67th Ave & Thomas Rd.....		13:13	
67th Ave & Thomas Rd.....	5:52	Thomas Rd at Desert Sky TC....		9:12		51st Ave & Thomas Rd.....		13:23	
51st Ave & Thomas Rd.....	5:58	67th Ave & Thomas Rd.....		9:19		35th Ave & Thomas Rd.....		13:32	
35th Ave & Thomas Rd.....	6:05	51st Ave & Thomas Rd.....		9:26		19th Ave & Thomas Rd.....		13:42	
19th Ave & Thomas Rd.....	6:13	35th Ave & Thomas Rd.....		9:33		Central Ave & Thomas Rd.....		13:50	
Central Ave & Thomas Rd.....	6:20	19th Ave & Thomas Rd.....		9:43		24th St & Thomas Rd.....		14:03	
24th St & Thomas Rd.....	6:31	Central Ave & Thomas Rd.....		9:50		44th St & Thomas Rd.....		14:18	
44th St & Thomas Rd.....	6:41	24th St & Thomas Rd.....		10:01		56th St & Thomas Rd.....		14:25	
56th St & Thomas Rd.....	6:47	44th St & Thomas Rd.....		10:14		Scottsdale Rd & Thomas Rd...		14:31	
		56th St & Thomas Rd.....		10:21		Pima Park.....		14:38	
		Scottsdale Rd & Thomas Rd.....		10:27					
		Pima Park.....		10:34					

Phoenix West

Effective: 01/22/2024

2004
Saturday

Duty Type	Block	Report Time	Start Place	Start Time	End Time	End Place	Clear Time	Paid Time	Seat Time
ST	2004 CAR	3:57	WEST 99MC	4:02 14:12	14:12 14:23	99MC WEST	14:23	10h26	8h40

Sign-on	3:57	Deadhead				17 / West / 253 / 20163772			
		Pima Rd & McDowell Rd.....		8:00		Pima Rd & McDowell Rd.....		12:32	
Block	2004	Pima Rd & McDowell Rd.....		8:07		Scottsdale Rd & McDowell Rd....		12:39	
						52nd St & McDowell Rd.....		12:46	
Pull Out		17 / West / 253 / 20163768				44th St & McDowell Rd.....		12:49	
West Transit Facility.....	4:17	Pima Rd & McDowell Rd.....		8:32		24th St & McDowell Rd.....		13:01	
52nd St & McDowell Rd.....	4:50	Scottsdale Rd & McDowell Rd....		8:39		Central Ave & McDowell Rd.....		13:13	
		52nd St & McDowell Rd.....		8:46		19th Ave & McDowell Rd.....		13:21	
17 / West / 253 / 20164305		44th St & McDowell Rd.....		8:49		43rd Ave & McDowell Rd.....		13:36	
52nd St & McDowell Rd.....	4:50	24th St & McDowell Rd.....		9:01		67th Ave & McDowell Rd.....		13:50	
44th St & McDowell Rd.....	4:53	Central Ave & McDowell Rd.....		9:13		83rd Ave & McDowell Rd.....		13:57	
24th St & McDowell Rd.....	5:03	19th Ave & McDowell Rd.....		9:21		99th Ave & McDowell Rd.....		14:05	
Central Ave & McDowell Rd.....	5:13	43rd Ave & McDowell Rd.....		9:36					
19th Ave & McDowell Rd.....	5:19	67th Ave & McDowell Rd.....		9:50		Deadhead			
43rd Ave & McDowell Rd.....	5:31	83rd Ave & McDowell Rd.....		9:57		99th Ave & McDowell Rd.....		14:05	
67th Ave & McDowell Rd.....	5:42	99th Ave & McDowell Rd.....		10:05		99th Ave & McDowell Rd.....		14:12	
83rd Ave & McDowell Rd.....	5:49								
99th Ave & McDowell Rd.....	5:57	Deadhead				Travel by		CAR	
		99th Ave & McDowell Rd.....		10:05					
Deadhead		99th Ave & McDowell Rd.....		10:12		Car Pull			
99th Ave & McDowell Rd.....	5:57					99th Ave & McDowell Rd.....		14:12	
99th Ave & McDowell Rd.....	6:04	17 / East / 132 / 20163728				West Transit Facility.....		14:23	
		99th Ave & McDowell Rd.....		10:24					
17 / East / 132 / 20163724		83rd Ave & McDowell Rd.....		10:32		17 / East / 132 / 20163732			
99th Ave & McDowell Rd.....	6:28	67th Ave & McDowell Rd.....		10:39		99th Ave & McDowell Rd.....		14:24	
83rd Ave & McDowell Rd.....	6:36	43rd Ave & McDowell Rd.....		10:52		83rd Ave & McDowell Rd.....		14:32	
67th Ave & McDowell Rd.....	6:43	19th Ave & McDowell Rd.....		11:07		67th Ave & McDowell Rd.....		14:39	
43rd Ave & McDowell Rd.....	6:54	Central Ave & McDowell Rd.....		11:17		43rd Ave & McDowell Rd.....		14:52	
19th Ave & McDowell Rd.....	7:07	24th St & McDowell Rd.....		11:29		19th Ave & McDowell Rd.....		15:07	
Central Ave & McDowell Rd.....	7:17	44th St & McDowell Rd.....		11:41		Central Ave & McDowell Rd....		15:17	
24th St & McDowell Rd.....	7:29	52nd St & McDowell Rd.....		11:44		24th St & McDowell Rd.....		15:29	
44th St & McDowell Rd.....	7:41	Scottsdale Rd & McDowell Rd....		11:52		44th St & McDowell Rd.....		15:41	
52nd St & McDowell Rd.....	7:44	Pima Rd & McDowell Rd.....		12:00		52nd St & McDowell Rd.....		15:44	
Scottsdale Rd & McDowell Rd....	7:52					Scottsdale Rd & McDowell Rd		15:52	
Pima Rd & McDowell Rd.....	8:00	Deadhead				Pima Rd & McDowell Rd.....		16:00	
		Pima Rd & McDowell Rd.....		12:00					
		Pima Rd & McDowell Rd.....		12:07					

Phoenix West

Effective: 01/22/2024

2005
Saturday

Duty Type	Block	Report Time	Start Place	Start Time	End Time	End Place	Clear Time	Paid Time	Seat Time
ST	2005	4:00	WEST	4:05	10:15	83VB	10:22	6h22	5h01
	CAR		83VB	10:15	10:22	WEST			

Sign-on	4:00	Deadhead	Deadhead
		83rd Ave & Van Buren St.....	83rd Ave & Van Buren St.....
			10:11
Block	2005	83rd Ave & Van Buren St.....	83rd Ave & Van Buren St.....
			10:15
<hr/>			
Pull Out		3 / East / 86 / 20163937	Travel by CAR
West Transit Facility.....	4:20	83rd Ave & Van Buren St.....	7:25
83rd Ave & Van Buren St.....	4:25	67th Ave & Van Buren St.....	7:30
		51st Ave & Van Buren St.....	7:39
		35th Ave & Van Buren St.....	7:48
		19th Ave & Van Buren St.....	7:56
		Central Ave & Van Buren St.....	8:05
		24th St & Van Buren St.....	8:16
		44th St & Van Buren St.....	8:25
		Galvin Pkwy & Van Buren St....	8:32
		Phoenix Zoo.....	8:36
		3 / West / 104 / 20164295	3 / East / 86 / 20163939
		83rd Ave & Van Buren St.....	83rd Ave & Van Buren St.....
		67th Ave & Van Buren St.....	10:25
		51st Ave & Van Buren St.....	10:30
		35th Ave & Van Buren St.....	10:39
		19th Ave & Van Buren St.....	10:48
		Central Ave & Van Buren St.....	10:56
		24th St & Van Buren St.....	11:05
		44th St & Van Buren St.....	11:16
		Galvin Pkwy & Van Buren St...	Galvin Pkwy & Van Buren St...
			11:25
			11:32
			11:36
Deadhead		3 / West / 104 / 20163906	
Galvin Pkwy & Van Buren St...	5:32	Phoenix Zoo.....	9:01
Galvin Pkwy & Van Buren St...	5:38	Galvin Pkwy & Van Buren St....	9:04
		44th St & Van Buren St.....	9:10
		24th St & Van Buren St.....	9:18
		2nd Ave & Van Buren St.....	9:30
		19th Ave & Van Buren St.....	9:38
		35th Ave & Van Buren St.....	9:47
		51st Ave & Van Buren St.....	9:56
		67th Ave & Van Buren St.....	10:03
		83rd Ave & Van Buren St.....	10:11
		3 / West / 104 / 20163906	
Galvin Pkwy & Van Buren St...	6:04		
44th St & Van Buren St.....	6:10		
24th St & Van Buren St.....	6:18		
2nd Ave & Van Buren St.....	6:30		
19th Ave & Van Buren St.....	6:38		
35th Ave & Van Buren St.....	6:47		
51st Ave & Van Buren St.....	6:56		
67th Ave & Van Buren St.....	7:03		
83rd Ave & Van Buren St.....	7:11		

Phoenix West

Effective: 01/22/2024

2006
Saturday

Duty Type	Block	Report Time	Start Place	Start Time	End Time	End Place	Clear Time	Paid Time	Seat Time
ST	2006 CAR	4:06	WEST 44IN	4:11 10:42	10:42 11:19	44IN WEST	11:19	7h13	5h23

Sign-on	4:06	Deadhead			Travel by	CAR
		107th Ave & Indian School Rd.		7:26		
Block	2006	107th Ave & Indian School Rd.		7:32	Car Pull	
					44th St & Indian School Rd.....	10:42
Pull Out		41 / East / 172 / 20163672			West Transit Facility.....	11:19
West Transit Facility.....	4:26	107th Ave & Indian School Rd.		8:12		
19th Ave & Indian School Rd...	4:56	83rd Ave & Indian School Rd.....		8:20	32nd St & Indian School Rd....	10:48
		59th Ave & Indian School Rd.....		8:31	24th St & Indian School Rd.....	10:53
41 / East / 267 / 20164311		43rd Ave & Indian School Rd.....		8:40	Central Ave & Indian School R	11:05
19th Ave & Indian School Rd...	4:56	19th Ave & Indian School Rd.....		8:54	Central Ave & Indian School R	11:09
Central Ave & Indian School Rd.	5:03	Central Ave & Indian School Rd.		9:03	19th Ave & Indian School Rd...	11:17
Central Ave & Indian School Rd.	5:07	Central Ave & Indian School Rd.		9:07	43rd Ave & Indian School Rd..	11:33
24th St & Indian School Rd.....	5:17	24th St & Indian School Rd.....		9:21	59th Ave & Indian School Rd...	11:42
32nd St & Indian School Rd.....	5:20	32nd St & Indian School Rd.....		9:25	83rd Ave & Indian School Rd..	11:54
44th St & Indian School Rd.....	5:27	44th St & Indian School Rd.....		9:32	107th Ave & Indian School Rd.	12:06
56th St & Indian School Rd.....	5:30	56th St & Indian School Rd.....		9:35		
		Scottsdale Rd & Indian School		9:42	41 / East / 172 / 20163671	
Deadhead		Granite Reef Rd & Indian Sch		9:50	107th Ave & Indian School Rd.	12:40
56th St & Indian School Rd.....	5:30				83rd Ave & Indian School Rd..	12:48
Granite Reef Rd & Indian Sch	5:40	Deadhead			59th Ave & Indian School Rd...	12:59
		Granite Reef Rd & Indian Sch		9:50	43rd Ave & Indian School Rd..	13:08
41 / West / 724 / 20163692		Pima Rd & Chaparral Rd.....		9:54	19th Ave & Indian School Rd...	13:24
Granite Reef Rd & Indian Sch	6:02				Central Ave & Indian School R	13:33
Scottsdale Rd & Indian School	6:07	Deadhead			Central Ave & Indian School R	13:37
56th St & Indian School Rd.....	6:14	Pima Rd & Chaparral Rd.....		10:22	24th St & Indian School Rd.....	13:51
44th St & Indian School Rd.....	6:17	Granite Reef Rd & Indian Sch		10:26	32nd St & Indian School Rd....	13:55
32nd St & Indian School Rd.....	6:21				44th St & Indian School Rd.....	14:02
24th St & Indian School Rd.....	6:25	41 / West / 724 / 20163697			56th St & Indian School Rd.....	14:05
Central Ave & Indian School Rd.	6:35	Granite Reef Rd & Indian Sch		10:26	Scottsdale Rd & Indian Schoo	14:12
Central Ave & Indian School Rd.	6:39	Scottsdale Rd & Indian School		10:31	Granite Reef Rd & Indian Sch	14:20
19th Ave & Indian School Rd.....	6:45	56th St & Indian School Rd.....		10:38		
43rd Ave & Indian School Rd.....	6:58	44th St & Indian School Rd.....		10:42		
59th Ave & Indian School Rd.....	7:05					
83rd Ave & Indian School Rd.....	7:15					
107th Ave & Indian School Rd.	7:26					

Phoenix West

Effective: 01/22/2024

2007
Saturday

Duty Type	Block	Report Time	Start Place	Start Time	End Time	End Place	Clear Time	Paid Time	Seat Time
ST	2007 CAR	4:09	WEST 83VB	4:14 12:15	12:15 12:22	83VB WEST	12:22	8h13	6h43

Sign-on	4:09	3 / West / 104 / 20163904		3 / West / 104 / 20163909	
		Phoenix Zoo.....	8:01	Phoenix Zoo.....	11:01
Block	2007	Galvin Pkwy & Van Buren St.....	8:04	Galvin Pkwy & Van Buren St.....	11:04
		44th St & Van Buren St.....	8:10	44th St & Van Buren St.....	11:10
Pull Out		24th St & Van Buren St.....	8:18	24th St & Van Buren St.....	11:18
West Transit Facility.....	4:29	2nd Ave & Van Buren St.....	8:30	2nd Ave & Van Buren St.....	11:30
Galvin Pkwy & Van Buren St...	5:04	19th Ave & Van Buren St.....	8:38	19th Ave & Van Buren St.....	11:38
		35th Ave & Van Buren St.....	8:47	35th Ave & Van Buren St.....	11:47
		51st Ave & Van Buren St.....	8:56	51st Ave & Van Buren St.....	11:56
3 / West / 104 / 20164296		67th Ave & Van Buren St.....	9:03	67th Ave & Van Buren St.....	12:03
Galvin Pkwy & Van Buren St...	5:04	83rd Ave & Van Buren St.....	9:11	83rd Ave & Van Buren St.....	12:11
44th St & Van Buren St.....	5:10				
24th St & Van Buren St.....	5:18				
2nd Ave & Van Buren St.....	5:30	Deadhead		Deadhead	
19th Ave & Van Buren St.....	5:38	83rd Ave & Van Buren St.....	9:11	83rd Ave & Van Buren St.....	12:11
35th Ave & Van Buren St.....	5:47	83rd Ave & Van Buren St.....	9:15	83rd Ave & Van Buren St.....	12:15
51st Ave & Van Buren St.....	5:56				
67th Ave & Van Buren St.....	6:03	3 / East / 86 / 20163938		Travel by	CAR
83rd Ave & Van Buren St.....	6:11	83rd Ave & Van Buren St.....	9:25		
		67th Ave & Van Buren St.....	9:30	Car Pull	
Deadhead		51st Ave & Van Buren St.....	9:39	83rd Ave & Van Buren St.....	12:15
83rd Ave & Van Buren St.....	6:11	35th Ave & Van Buren St.....	9:48	West Transit Facility.....	12:22
83rd Ave & Van Buren St.....	6:15	19th Ave & Van Buren St.....	9:56		
		Central Ave & Van Buren St.....	10:05	3 / East / 86 / 20163940	
		24th St & Van Buren St.....	10:16	83rd Ave & Van Buren St.....	12:25
3 / East / 86 / 20163932		44th St & Van Buren St.....	10:25	67th Ave & Van Buren St.....	12:30
83rd Ave & Van Buren St.....	6:25	Galvin Pkwy & Van Buren St.....	10:32	51st Ave & Van Buren St.....	12:39
67th Ave & Van Buren St.....	6:30	Phoenix Zoo.....	10:36	35th Ave & Van Buren St.....	12:48
51st Ave & Van Buren St.....	6:39			19th Ave & Van Buren St.....	12:56
35th Ave & Van Buren St.....	6:48			Central Ave & Van Buren St...	13:05
19th Ave & Van Buren St.....	6:56			24th St & Van Buren St.....	13:16
Central Ave & Van Buren St.....	7:05			44th St & Van Buren St.....	13:25
24th St & Van Buren St.....	7:16			Galvin Pkwy & Van Buren St...	13:32
44th St & Van Buren St.....	7:25			Phoenix Zoo.....	13:36
Galvin Pkwy & Van Buren St.....	7:32				
Phoenix Zoo.....	7:36				

Phoenix West

Effective: 01/22/2024

2008
Saturday

Duty Type	Block	Report Time	Start Place	Start Time	End Time	End Place	Clear Time	Paid Time	Seat Time
ST	2008	4:10	WEST	4:15	11:11	43LB			
	CAR		43LB	11:11	11:32	WEST	11:32	7h22	5h52

Sign-on	4:10	Deadhead			43 / South / 207 / 20163583
		43rd Ave & Union Hills Dr.....	7:08	43rd Ave & Union Hills Dr.....	10:03
Block	2008	43rd Ave & Union Hills Dr.....	7:15	43rd Ave & Thunderbird Rd.....	10:10
				43rd Ave & Dunlap Ave.....	10:20
Pull Out		43 / South / 207 / 20164008		43rd Ave & Glendale Ave.....	10:26
West Transit Facility.....	4:30	43rd Ave & Union Hills Dr.....	7:35	43rd Ave & Camelback Rd.....	10:34
43rd Ave & Union Hills Dr.....	5:05	43rd Ave & Thunderbird Rd.....	7:42	43rd Ave & Thomas Rd.....	10:44
		43rd Ave & Dunlap Ave.....	7:51	43rd Ave & Van Buren St.....	10:52
43 / South / 207 / 20164312		43rd Ave & Glendale Ave.....	7:57	43rd Ave & Lower Buckeye Rd	11:00
43rd Ave & Union Hills Dr.....	5:05	43rd Ave & Camelback Rd.....	8:04		
43rd Ave & Thunderbird Rd.....	5:12	43rd Ave & Thomas Rd.....	8:13	Deadhead	
43rd Ave & Dunlap Ave.....	5:21	43rd Ave & Van Buren St.....	8:21	43rd Ave & Lower Buckeye Rd	11:00
43rd Ave & Glendale Ave.....	5:27	43rd Ave & Lower Buckeye Rd	8:29	43rd Ave & Lower Buckeye Rd	11:06
43rd Ave & Camelback Rd.....	5:34				
43rd Ave & Thomas Rd.....	5:42	Deadhead		Travel by	CAR
43rd Ave & Van Buren St.....	5:50	43rd Ave & Lower Buckeye Rd	8:29		
43rd Ave & Lower Buckeye Rd	5:57	43rd Ave & Lower Buckeye Rd	8:35	Car Pull	
				43rd Ave & Lower Buckeye Rd	11:11
Deadhead		43 / North / 182 / 20163569		West Transit Facility.....	11:32
43rd Ave & Lower Buckeye Rd	5:57	43rd Ave & Lower Buckeye Rd	8:48		
43rd Ave & Lower Buckeye Rd	6:03	43rd Ave & Van Buren St.....	8:54	43 / North / 182 / 20163976	
		43rd Ave & Thomas Rd.....	9:03	<i>43rd Ave & Lower Buckeye Rd</i>	<i>11:16</i>
43 / North / 182 / 20163993		43rd Ave & Camelback Rd.....	9:10	<i>43rd Ave & Van Buren St.....</i>	<i>11:22</i>
43rd Ave & Lower Buckeye Rd	6:19	43rd Ave & Glendale Ave.....	9:16	<i>43rd Ave & Thomas Rd.....</i>	<i>11:32</i>
43rd Ave & Van Buren St.....	6:25	43rd Ave & Dunlap Ave.....	9:23	<i>43rd Ave & Camelback Rd.....</i>	<i>11:40</i>
43rd Ave & Thomas Rd.....	6:33	43rd Ave & Thunderbird Rd.....	9:31	<i>43rd Ave & Glendale Ave.....</i>	<i>11:47</i>
43rd Ave & Camelback Rd.....	6:40	43rd Ave & Union Hills Dr.....	9:40	<i>43rd Ave & Dunlap Ave.....</i>	<i>11:54</i>
43rd Ave & Glendale Ave.....	6:46			<i>43rd Ave & Thunderbird Rd.....</i>	<i>12:02</i>
43rd Ave & Dunlap Ave.....	6:52	Deadhead		<i>43rd Ave & Union Hills Dr.....</i>	<i>12:11</i>
43rd Ave & Thunderbird Rd.....	6:59	43rd Ave & Union Hills Dr.....	9:40		
43rd Ave & Union Hills Dr.....	7:08	43rd Ave & Union Hills Dr.....	9:47		

Phoenix West

Effective: 01/22/2024

2009
Saturday

Duty Type	Block	Report Time	Start Place	Start Time	End Time	End Place	Clear Time	Paid Time	Seat Time
ST	2009 CAR	4:13	WEST 44IN	4:18 11:12	11:12 11:49	44IN WEST	11:49	7h36	5h46

Sign-on	4:13	Deadhead			Travel by	CAR
		107th Ave & Indian School Rd.	7:56			
Block	2009	107th Ave & Indian School Rd.	8:02		Car Pull	
					44th St & Indian School Rd.....	11:12
Pull Out		41 / East / 172 / 20163666			West Transit Facility.....	11:49
West Transit Facility.....	4:33	107th Ave & Indian School Rd.	8:42			
107th Ave & Indian School Rd.	4:48	83rd Ave & Indian School Rd.....	8:50		32nd St & Indian School Rd....	11:18
		59th Ave & Indian School Rd.....	9:01		24th St & Indian School Rd.....	11:23
41 / East / 267 / 20164310		43rd Ave & Indian School Rd.....	9:10		Central Ave & Indian School R	11:35
107th Ave & Indian School Rd.	4:48	19th Ave & Indian School Rd.....	9:24		Central Ave & Indian School R	11:39
83rd Ave & Indian School Rd.....	4:56	Central Ave & Indian School Rd.	9:33		19th Ave & Indian School Rd...	11:47
59th Ave & Indian School Rd.....	5:05	Central Ave & Indian School Rd.	9:37		43rd Ave & Indian School Rd..	12:03
43rd Ave & Indian School Rd.....	5:14	24th St & Indian School Rd.....	9:51		59th Ave & Indian School Rd...	12:12
19th Ave & Indian School Rd.....	5:26	32nd St & Indian School Rd.....	9:55		83rd Ave & Indian School Rd..	12:24
Central Ave & Indian School Rd.	5:33	44th St & Indian School Rd.....	10:02		107th Ave & Indian School Rd.	12:36
Central Ave & Indian School Rd.	5:37	56th St & Indian School Rd.....	10:05			
24th St & Indian School Rd.....	5:47	Scottsdale Rd & Indian School	10:12		41 / East / 172 / 20163682	
32nd St & Indian School Rd.....	5:50	Granite Reef Rd & Indian Sch	10:20		107th Ave & Indian School Rd.	13:10
44th St & Indian School Rd.....	5:57				83rd Ave & Indian School Rd..	13:18
56th St & Indian School Rd.....	6:00	Deadhead			59th Ave & Indian School Rd...	13:29
		Granite Reef Rd & Indian Sch	10:20		43rd Ave & Indian School Rd..	13:38
Deadhead		Pima Rd & Chaparral Rd.....	10:24		19th Ave & Indian School Rd...	13:54
56th St & Indian School Rd.....	6:00				Central Ave & Indian School R	14:03
Granite Reef Rd & Indian Sch	6:10	Deadhead			Central Ave & Indian School R	14:07
		Pima Rd & Chaparral Rd.....	10:52		24th St & Indian School Rd.....	14:21
41 / West / 724 / 20163693		Granite Reef Rd & Indian Sch	10:56		32nd St & Indian School Rd....	14:25
Granite Reef Rd & Indian Sch	6:32				44th St & Indian School Rd.....	14:32
Scottsdale Rd & Indian School	6:37	41 / West / 724 / 20163711			56th St & Indian School Rd.....	14:35
56th St & Indian School Rd.....	6:44	Granite Reef Rd & Indian Sch	10:56		Scottsdale Rd & Indian Schoo	14:42
44th St & Indian School Rd.....	6:47	Scottsdale Rd & Indian School	11:01		Granite Reef Rd & Indian Sch	14:50
32nd St & Indian School Rd.....	6:51	56th St & Indian School Rd.....	11:08			
24th St & Indian School Rd.....	6:55	44th St & Indian School Rd.....	11:12			
Central Ave & Indian School Rd.	7:05					
Central Ave & Indian School Rd.	7:09					
19th Ave & Indian School Rd.....	7:15					
43rd Ave & Indian School Rd.....	7:28					
59th Ave & Indian School Rd.....	7:35					
83rd Ave & Indian School Rd.....	7:45					
107th Ave & Indian School Rd.	7:56					

Phoenix West

Effective: 01/22/2024

2010
Saturday

Duty Type	Block	Report Time	Start Place	Start Time	End Time	End Place	Clear Time	Paid Time	Seat Time
ST	2010 CAR	4:14	WEST 51HD	4:19 14:20	14:20 14:31	51HD WEST	14:31	10h17	7h31

Sign-on	4:14	Deadhead				59 / North / 830 / 20163635			
		59th Ave & Buckeye Rd.....		8:15		59th Ave & Buckeye Rd.....		11:55	
Block	2010	51st Ave & Hadley St.....		8:19		59th Ave & Van Buren St.....		11:57	
						59th Ave & Thomas Rd.....		12:05	
Pull Out		Deadhead				59th Ave & Camelback Rd.....		12:13	
West Transit Facility.....	4:34	51st Ave & Hadley St.....		8:51		59th Ave & Glendale Ave.....		12:23	
59th Ave & Camelback Rd.....	4:57	59th Ave & Buckeye Rd.....		8:55		59th Ave & Olive Ave.....		12:32	
						59th Ave & Thunderbird Rd.....		12:44	
						59th Ave & Bell Rd.....		12:51	
59 / South / 220 / 20164323		59 / North / 830 / 20163636							
59th Ave & Camelback Rd.....	4:57	59th Ave & Buckeye Rd.....		8:55		59th Ave & Beardsley Rd.....		12:59	
59th Ave & Thomas Rd.....	5:04	59th Ave & Van Buren St.....		8:57					
59th Ave & Van Buren St.....	5:12	59th Ave & Thomas Rd.....		9:05		59 / South / 220 / 20163632			
59th Ave & Buckeye Rd.....	5:15	59th Ave & Camelback Rd.....		9:13		59th Ave & Beardsley Rd.....		13:13	
		59th Ave & Glendale Ave.....		9:23		59th Ave & Bell Rd.....		13:19	
Deadhead		59th Ave & Olive Ave.....		9:32		59th Ave & Thunderbird Rd.....		13:26	
59th Ave & Buckeye Rd.....	5:15	59th Ave & Thunderbird Rd.....		9:43		59th Ave & Olive Ave.....		13:38	
51st Ave & Hadley St.....	5:19	59th Ave & Bell Rd.....		9:50		59th Ave & Glendale Ave.....		13:48	
		59th Ave & Beardsley Rd.....		9:58		59th Ave & Camelback Rd.....		13:57	
Deadhead						59th Ave & Thomas Rd.....		14:04	
51st Ave & Hadley St.....	5:51	59 / South / 220 / 20163630				59th Ave & Van Buren St.....		14:13	
59th Ave & Buckeye Rd.....	5:55	59th Ave & Beardsley Rd.....		10:13		59th Ave & Buckeye Rd.....		14:16	
		59th Ave & Bell Rd.....		10:19					
59 / North / 830 / 20163638		59th Ave & Thunderbird Rd.....		10:26		Deadhead			
59th Ave & Buckeye Rd.....	5:55	59th Ave & Olive Ave.....		10:38		59th Ave & Buckeye Rd.....		14:16	
59th Ave & Van Buren St.....	5:57	59th Ave & Glendale Ave.....		10:48		51st Ave & Hadley St.....		14:20	
59th Ave & Thomas Rd.....	6:05	59th Ave & Camelback Rd.....		10:57					
59th Ave & Camelback Rd.....	6:13	59th Ave & Thomas Rd.....		11:04		Travel by		CAR	
59th Ave & Glendale Ave.....	6:21	59th Ave & Van Buren St.....		11:13					
59th Ave & Olive Ave.....	6:30	59th Ave & Buckeye Rd.....		11:16		Car Pull			
59th Ave & Thunderbird Rd.....	6:41					51st Ave & Hadley St.....		14:20	
59th Ave & Bell Rd.....	6:48	Deadhead				West Transit Facility.....		14:31	
59th Ave & Beardsley Rd.....	6:56	59th Ave & Buckeye Rd.....		11:16					
		51st Ave & Hadley St.....		11:20		59 / North / 830 / 20163647			
						59th Ave & Buckeye Rd.....		14:53	
59 / South / 220 / 20163633		Deadhead				59th Ave & Van Buren St.....		14:55	
59th Ave & Beardsley Rd.....	7:18	51st Ave & Hadley St.....		11:51		59th Ave & Thomas Rd.....		15:04	
59th Ave & Bell Rd.....	7:23	59th Ave & Buckeye Rd.....		11:55		59th Ave & Camelback Rd.....		15:13	
59th Ave & Thunderbird Rd.....	7:30					59th Ave & Glendale Ave.....		15:23	
59th Ave & Olive Ave.....	7:41					59th Ave & Olive Ave.....		15:33	
59th Ave & Glendale Ave.....	7:49					59th Ave & Thunderbird Rd.....		15:45	
59th Ave & Camelback Rd.....	7:57					59th Ave & Bell Rd.....		15:52	
59th Ave & Thomas Rd.....	8:04					59th Ave & Beardsley Rd.....		16:01	
59th Ave & Van Buren St.....	8:12								
59th Ave & Buckeye Rd.....	8:15								

Phoenix West

Effective: 01/22/2024

2011
Saturday

Duty Type	Block	Report Time	Start Place	Start Time	End Time	End Place	Clear Time	Paid Time	Seat Time
ST	2011	4:15	WEST	4:20	11:45	51VB			
	CAR		51VB	11:45	11:59	WEST	11:59	7h44	5h52

Sign-on	4:15	51 / South / 27 / 20164098		Travel by	CAR
		ASU West Campus.....	8:38		
Block	2011	51st Ave & Olive Ave.....	8:49	Car Pull	
		51st Ave & Glendale Ave.....	8:55	51st Ave & Van Buren St.....	11:45
Pull Out		51st Ave & Camelback Rd.....	9:00	West Transit Facility.....	11:59
West Transit Facility.....	4:35	51st Ave & Thomas Rd.....	9:07		
ASU West Campus.....	5:08	51st Ave & Van Buren St.....	9:15	51st Ave & Lower Buckeye Rd	11:50
		51st Ave & Lower Buckeye Rd...	9:20	51st Ave & Baseline Rd.....	11:58
		51st Ave & Baseline Rd.....	9:28	Vee Quiva Casino.....	12:10
51 / South / 28 / 20163612				Komatke Health Center.....	12:22
ASU West Campus.....	5:08	Deadhead		51st Ave & Pecos Rd.....	12:26
51st Ave & Olive Ave.....	5:19				
51st Ave & Glendale Ave.....	5:25	51st Ave & Baseline Rd.....	9:28		
51st Ave & Camelback Rd.....	5:30	51st Ave & Baseline Rd.....	9:33	51 / North / 206 / 20163606	
51st Ave & Thomas Rd.....	5:37			51st Ave & Pecos Rd.....	12:51
51st Ave & Van Buren St.....	5:45	51 / North / 206 / 20164092		Vee Quiva Casino.....	13:01
51st Ave & Lower Buckeye Rd...	5:50	51st Ave & Baseline Rd.....	9:43	51st Ave & Baseline Rd.....	13:13
51st Ave & Baseline Rd.....	5:57	51st Ave & Lower Buckeye Rd...	9:50	51st Ave & Lower Buckeye Rd	13:20
Vee Quiva Casino.....	6:09	51st Ave & Van Buren St.....	9:57	51st Ave & Van Buren St.....	13:27
Komatke Health Center.....	6:21	51st Ave & Thomas Rd.....	10:05	51st Ave & Thomas Rd.....	13:35
51st Ave & Pecos Rd.....	6:25	51st Ave & Camelback Rd.....	10:13	51st Ave & Camelback Rd.....	13:43
		51st Ave & Glendale Ave.....	10:20	51st Ave & Glendale Ave.....	13:50
51 / North / 206 / 20163602		51st Ave & Olive Ave.....	10:27	51st Ave & Olive Ave.....	13:57
51st Ave & Pecos Rd.....	6:52	ASU West Campus.....	10:38	ASU West Campus.....	14:08
Vee Quiva Casino.....	7:02				
51st Ave & Baseline Rd.....	7:13	51 / South / 28 / 20163618			
51st Ave & Lower Buckeye Rd...	7:20	ASU West Campus.....	11:02		
51st Ave & Van Buren St.....	7:27	51st Ave & Olive Ave.....	11:14		
51st Ave & Thomas Rd.....	7:35	51st Ave & Glendale Ave.....	11:21		
51st Ave & Camelback Rd.....	7:43	51st Ave & Camelback Rd.....	11:28		
51st Ave & Glendale Ave.....	7:50	51st Ave & Thomas Rd.....	11:37		
51st Ave & Olive Ave.....	7:57	51st Ave & Van Buren St.....	11:45		
ASU West Campus.....	8:07				

Phoenix West

Effective: 01/22/2024

2012
Saturday

Duty Type	Block	Report Time	Start Place	Start Time	End Time	End Place	Clear Time	Paid Time	Seat Time
ST	2012	4:16	WEST 94TH	4:21	11:27	94TH	11:43	7h27	5h59

Sign-on	4:16	Deadhead	Deadhead
		93rd Ave & Thomas Rd.....	7:52 93rd Ave & Thomas Rd..... 11:26
Block	2012	94th Av Layover.....	7:53 94th Av Layover..... 11:27

Pull Out		Deadhead	Travel by CAR
West Transit Facility.....	4:36	94th Av Layover.....	8:09
51st Ave & Thomas Rd.....	4:58	93rd Ave & Thomas Rd.....	8:10

29 / East / 257 / 20164308		29 / East / 31 / 20163848	
51st Ave & Thomas Rd.....	4:58	93rd Ave & Thomas Rd.....	8:10
35th Ave & Thomas Rd.....	5:05	Thomas Rd at Desert Sky TC....	8:15
19th Ave & Thomas Rd.....	5:13	67th Ave & Thomas Rd.....	8:21
Central Ave & Thomas Rd.....	5:20	51st Ave & Thomas Rd.....	8:28
24th St & Thomas Rd.....	5:31	35th Ave & Thomas Rd.....	8:35
44th St & Thomas Rd.....	5:41	19th Ave & Thomas Rd.....	8:43
56th St & Thomas Rd.....	5:47	Central Ave & Thomas Rd.....	8:50

Deadhead		24th St & Thomas Rd.....	9:01
56th St & Thomas Rd.....	5:47	44th St & Thomas Rd.....	9:14
Pima Park.....	6:02	56th St & Thomas Rd.....	9:21

29 / West / 199 / 20163876		29 / West / 199 / 20163883	
Pima Park.....	6:31	Pima Park.....	9:57
Scottsdale Rd & Thomas Rd.....	6:36	Scottsdale Rd & Thomas Rd.....	10:02
56th St & Thomas Rd.....	6:42	56th St & Thomas Rd.....	10:08
44th St & Thomas Rd.....	6:48	44th St & Thomas Rd.....	10:16
24th St & Thomas Rd.....	6:58	24th St & Thomas Rd.....	10:27
Central Ave & Thomas Rd.....	7:10	Central Ave & Thomas Rd.....	10:40
19th Ave & Thomas Rd.....	7:16	19th Ave & Thomas Rd.....	10:46
35th Ave & Thomas Rd.....	7:24	35th Ave & Thomas Rd.....	10:54
51st Ave & Thomas Rd.....	7:30	51st Ave & Thomas Rd.....	11:01
67th Ave & Thomas Rd.....	7:37	67th Ave & Thomas Rd.....	11:08
Desert Sky TC.....	7:44	Desert Sky TC.....	11:17
Desert Sky TC.....	7:47	Desert Sky TC.....	11:20
93rd Ave & Thomas Rd.....	7:52	93rd Ave & Thomas Rd.....	11:26

Phoenix West

Effective: 01/22/2024

2013
Saturday

Duty Type	Block	Report Time	Start Place	Start Time	End Time	End Place	Clear Time	Paid Time	Seat Time
ST	2013 CAR	4:17	WEST 83MC	4:22 12:27	12:27 12:39	83MC WEST	12:39	8h22	6h53

Sign-on	4:17	Deadhead				Travel by		CAR	
		Pebble Creek Pkwy & McDow		7:52					
Block	2013	Pebble Creek Pkwy & McDow		7:59		Car Pull			
						83rd Ave & McDowell Rd.....		12:27	
						West Transit Facility.....		12:39	
Pull Out		17 / East / 132 / 20163741							
West Transit Facility.....	4:37	Pebble Creek Pkwy & McDow		8:32					
43rd Ave & McDowell Rd.....	4:57	Litchfield Rd & McDowell Rd.....		8:39		99th Ave & McDowell Rd.....		12:35	
		99th Ave & McDowell Rd.....		8:54		Litchfield Rd & McDowell Rd...		12:50	
		83rd Ave & McDowell Rd.....		9:02		Pebble Creek Pkwy & McDow		12:57	
		67th Ave & McDowell Rd.....		9:09					
		43rd Ave & McDowell Rd.....		9:22		17 / East / 132 / 20163748			
		19th Ave & McDowell Rd.....		9:37		Pebble Creek Pkwy & McDow		13:32	
		Central Ave & McDowell Rd.....		9:47		Litchfield Rd & McDowell Rd...		13:39	
		24th St & McDowell Rd.....		9:59		99th Ave & McDowell Rd.....		13:54	
		44th St & McDowell Rd.....		10:11		83rd Ave & McDowell Rd.....		14:02	
		52nd St & McDowell Rd.....		5:40		67th Ave & McDowell Rd.....		14:09	
						43rd Ave & McDowell Rd.....		14:22	
Deadhead		Scottsdale Rd & McDowell Rd...		10:22		19th Ave & McDowell Rd.....		14:37	
52nd St & McDowell Rd.....	5:40	Pima Rd & McDowell Rd.....		10:30		Central Ave & McDowell Rd...		14:47	
Pima Rd & McDowell Rd.....	5:55					24th St & McDowell Rd.....		14:59	
		Deadhead				44th St & McDowell Rd.....		15:11	
		Pima Rd & McDowell Rd.....		10:30		52nd St & McDowell Rd.....		15:14	
		Pima Rd & McDowell Rd.....		10:37		Scottsdale Rd & McDowell Rd		15:22	
						Pima Rd & McDowell Rd.....		15:30	
		17 / West / 127 / 20163746							
Pima Rd & McDowell Rd.....	6:06								
Scottsdale Rd & McDowell Rd...	6:13	17 / West / 127 / 20163757							
52nd St & McDowell Rd.....	6:20	Pima Rd & McDowell Rd.....		11:02					
44th St & McDowell Rd.....	6:23	Scottsdale Rd & McDowell Rd...		11:09					
24th St & McDowell Rd.....	6:33	52nd St & McDowell Rd.....		11:16					
Central Ave & McDowell Rd.....	6:43	44th St & McDowell Rd.....		11:19					
19th Ave & McDowell Rd.....	6:49	24th St & McDowell Rd.....		11:31					
43rd Ave & McDowell Rd.....	7:01	Central Ave & McDowell Rd.....		11:43					
67th Ave & McDowell Rd.....	7:15	19th Ave & McDowell Rd.....		11:51					
83rd Ave & McDowell Rd.....	7:22	43rd Ave & McDowell Rd.....		12:06					
99th Ave & McDowell Rd.....	7:30	67th Ave & McDowell Rd.....		12:20					
Litchfield Rd & McDowell Rd.....	7:45	83rd Ave & McDowell Rd.....		12:27					
Pebble Creek Pkwy & McDow	7:52								

Phoenix West

Effective: 01/22/2024

2014
Saturday

Duty Type	Block	Report Time	Start Place	Start Time	End Time	End Place	Clear Time	Paid Time	Seat Time
ST	2014	4:17	WEST 94TH	4:22	14:01	94TH	14:17	10h00	8h03

Sign-on	4:17	29 / West / 199 / 20163880	29 / West / 199 / 20163888
		Pima Park.....	8:28 Pima Park.....
Block	2014	Scottsdale Rd & Thomas Rd.....	12:28 Scottsdale Rd & Thomas Rd.....
		56th St & Thomas Rd.....	12:34 56th St & Thomas Rd.....
Pull Out		44th St & Thomas Rd.....	12:42 44th St & Thomas Rd.....
West Transit Facility.....	4:37	24th St & Thomas Rd.....	12:56 24th St & Thomas Rd.....
56th St & Thomas Rd.....	5:12	Central Ave & Thomas Rd.....	13:10 Central Ave & Thomas Rd.....
		19th Ave & Thomas Rd.....	13:17 19th Ave & Thomas Rd.....
29 / West / 199 / 20164045		35th Ave & Thomas Rd.....	13:27 35th Ave & Thomas Rd.....
56th St & Thomas Rd.....	5:12	51st Ave & Thomas Rd.....	13:34 51st Ave & Thomas Rd.....
44th St & Thomas Rd.....	5:18	67th Ave & Thomas Rd.....	13:41 67th Ave & Thomas Rd.....
24th St & Thomas Rd.....	5:28	Desert Sky TC.....	13:51 Desert Sky TC.....
Central Ave & Thomas Rd.....	5:40	Desert Sky TC.....	13:54 Desert Sky TC.....
19th Ave & Thomas Rd.....	5:46	93rd Ave & Thomas Rd.....	14:00 93rd Ave & Thomas Rd.....
35th Ave & Thomas Rd.....	5:54		
51st Ave & Thomas Rd.....	6:00	Deadhead	Deadhead
67th Ave & Thomas Rd.....	6:07	93rd Ave & Thomas Rd.....	9:56 93rd Ave & Thomas Rd.....
Desert Sky TC.....	6:14	94th Av Layover.....	9:57 94th Av Layover.....
Desert Sky TC.....	6:17		
93rd Ave & Thomas Rd.....	6:22	Deadhead	Travel by CAR
		94th Av Layover.....	10:34 94th Av Layover.....
Deadhead		93rd Ave & Thomas Rd.....	10:35 93rd Ave & Thomas Rd.....
93rd Ave & Thomas Rd.....	6:22		
94th Av Layover.....	6:23	29 / East / 31 / 20163862	West Transit Facility.....
		93rd Ave & Thomas Rd.....	14:17 93rd Ave & Thomas Rd.....
Deadhead		Thomas Rd at Desert Sky TC....	14:30 93rd Ave & Thomas Rd.....
94th Av Layover.....	6:40	67th Ave & Thomas Rd.....	14:36 Thomas Rd at Desert Sky TC..
93rd Ave & Thomas Rd.....	6:41	51st Ave & Thomas Rd.....	14:43 67th Ave & Thomas Rd.....
		35th Ave & Thomas Rd.....	14:53 51st Ave & Thomas Rd.....
29 / East / 31 / 20163864		19th Ave & Thomas Rd.....	15:02 35th Ave & Thomas Rd.....
93rd Ave & Thomas Rd.....	6:41	Central Ave & Thomas Rd.....	15:12 19th Ave & Thomas Rd.....
Thomas Rd at Desert Sky TC....	6:46	24th St & Thomas Rd.....	15:20 Central Ave & Thomas Rd.....
67th Ave & Thomas Rd.....	6:52	44th St & Thomas Rd.....	15:33 24th St & Thomas Rd.....
51st Ave & Thomas Rd.....	6:58	56th St & Thomas Rd.....	15:48 44th St & Thomas Rd.....
35th Ave & Thomas Rd.....	7:05	Scottsdale Rd & Thomas Rd.....	15:55 56th St & Thomas Rd.....
19th Ave & Thomas Rd.....	7:13	Pima Park.....	16:01 Scottsdale Rd & Thomas Rd...
Central Ave & Thomas Rd.....	7:20		16:08 Pima Park.....
24th St & Thomas Rd.....	7:31		
44th St & Thomas Rd.....	7:41		
56th St & Thomas Rd.....	7:47		
Scottsdale Rd & Thomas Rd.....	7:53		
Pima Park.....	8:00		

Phoenix West

Effective: 01/22/2024

2017
Saturday

Duty Type	Block	Report Time	Start Place	Start Time	End Time	End Place	Clear Time	Paid Time	Seat Time
ST	2017 CAR	4:20	WEST 83VB	4:25 13:41	13:41 13:48	83VB WEST	13:48	9h28	7h34

Sign-on	4:20	3 / West / 546 / 20163950		3 / West / 546 / 20163954
		Phoenix Zoo.....	8:31	Phoenix Zoo.....
Block	2017	Galvin Pkwy & Van Buren St.....	8:34	Galvin Pkwy & Van Buren St.....
		44th St & Van Buren St.....	8:40	44th St & Van Buren St.....
Pull Out		24th St & Van Buren St.....	8:48	24th St & Van Buren St.....
West Transit Facility.....	4:40	2nd Ave & Van Buren St.....	9:00	2nd Ave & Van Buren St.....
2nd Ave & Van Buren St.....	5:00	19th Ave & Van Buren St.....	9:08	19th Ave & Van Buren St.....
		35th Ave & Van Buren St.....	9:17	35th Ave & Van Buren St.....
		51st Ave & Van Buren St.....	9:26	51st Ave & Van Buren St.....
3 / West / 546 / 20164335		67th Ave & Van Buren St.....	9:33	67th Ave & Van Buren St.....
2nd Ave & Van Buren St.....	5:00	83rd Ave & Van Buren St.....	9:41	83rd Ave & Van Buren St.....
19th Ave & Van Buren St.....	5:08	99th Ave & Van Buren St.....	9:48	
35th Ave & Van Buren St.....	5:17	Avondale Civic Center.....	9:55	
51st Ave & Van Buren St.....	5:26	4th St & La Canada Blvd.....	10:06	Travel by
67th Ave & Van Buren St.....	5:33			CAR
83rd Ave & Van Buren St.....	5:41			
99th Ave & Van Buren St.....	5:48	3 / East / 86 / 20163923		Car Pull
Avondale Civic Center.....	5:55	4th St & La Canada Blvd.....	10:28	83rd Ave & Van Buren St.....
4th St & La Canada Blvd.....	6:06	Avondale Civic Center.....	10:42	West Transit Facility.....
		99th Ave & Van Buren St.....	10:48	
3 / East / 86 / 20163919		83rd Ave & Van Buren St.....	10:55	99th Ave & Van Buren St.....
4th St & La Canada Blvd.....	6:28	67th Ave & Van Buren St.....	11:00	Avondale Civic Center.....
Avondale Civic Center.....	6:42	51st Ave & Van Buren St.....	11:09	4th St & La Canada Blvd.....
99th Ave & Van Buren St.....	6:48	35th Ave & Van Buren St.....	11:18	
83rd Ave & Van Buren St.....	6:55	19th Ave & Van Buren St.....	11:26	3 / East / 86 / 20163928
67th Ave & Van Buren St.....	7:00	Central Ave & Van Buren St.....	11:35	4th St & La Canada Blvd.....
51st Ave & Van Buren St.....	7:09	24th St & Van Buren St.....	11:46	Avondale Civic Center.....
35th Ave & Van Buren St.....	7:18	44th St & Van Buren St.....	11:55	99th Ave & Van Buren St.....
19th Ave & Van Buren St.....	7:26	Galvin Pkwy & Van Buren St.....	12:02	83rd Ave & Van Buren St.....
Central Ave & Van Buren St.....	7:35	Phoenix Zoo.....	12:06	67th Ave & Van Buren St.....
24th St & Van Buren St.....	7:46			51st Ave & Van Buren St.....
44th St & Van Buren St.....	7:55			35th Ave & Van Buren St.....
Galvin Pkwy & Van Buren St.....	8:02			19th Ave & Van Buren St.....
Phoenix Zoo.....	8:06			Central Ave & Van Buren St....
				24th St & Van Buren St.....
				44th St & Van Buren St.....
				Galvin Pkwy & Van Buren St...
				Phoenix Zoo.....

Phoenix West

Effective: 01/22/2024

2018
Saturday

Duty Type	Block	Report Time	Start Place	Start Time	End Time	End Place	Clear Time	Paid Time	Seat Time
ST	2018 CAR	4:21	WEST 51VB	4:26 14:15	14:15 14:29	51VB WEST	14:29	10h08	7h35

Sign-on	4:21	Deadhead				51 / South / 27 / 20164085			
		51st Ave & Baseline Rd.....		8:27		ASU West Campus.....			13:32
Block	2018	51st Ave & Baseline Rd.....		8:32		51st Ave & Olive Ave.....			13:44
						51st Ave & Glendale Ave.....			13:51
Pull Out		51 / North / 206 / 20164063				51st Ave & Camelback Rd.....			13:58
West Transit Facility.....	4:41	51st Ave & Baseline Rd.....		8:43		51st Ave & Thomas Rd.....			14:07
51st Ave & Camelback Rd.....	5:00	51st Ave & Lower Buckeye Rd...		8:50		51st Ave & Van Buren St.....			14:15
		51st Ave & Van Buren St.....		8:57					
51 / South / 27 / 20164318		51st Ave & Thomas Rd.....		9:05		Travel by			CAR
51st Ave & Camelback Rd.....	5:00	51st Ave & Camelback Rd.....		9:13		Car Pull			
51st Ave & Thomas Rd.....	5:07	51st Ave & Glendale Ave.....		9:20		51st Ave & Van Buren St.....			14:15
51st Ave & Van Buren St.....	5:15	51st Ave & Olive Ave.....		9:27		West Transit Facility.....			14:29
51st Ave & Lower Buckeye Rd...	5:20	ASU West Campus.....		9:37					
51st Ave & Baseline Rd.....	5:27								
		51 / South / 28 / 20163617				<i>51st Ave & Lower Buckeye Rd</i>			<i>14:20</i>
Deadhead		ASU West Campus.....		10:02		<i>51st Ave & Baseline Rd.....</i>			<i>14:28</i>
51st Ave & Baseline Rd.....	5:27	51st Ave & Olive Ave.....		10:14					
51st Ave & Pecos Rd.....	5:39	51st Ave & Glendale Ave.....		10:21		51 / North / 206 / 20164076			
		51st Ave & Camelback Rd.....		10:28		<i>51st Ave & Baseline Rd.....</i>			<i>14:42</i>
51 / North / 206 / 20163595		51st Ave & Thomas Rd.....		10:37		<i>51st Ave & Lower Buckeye Rd</i>			<i>14:49</i>
51st Ave & Pecos Rd.....	5:54	51st Ave & Van Buren St.....		10:45		<i>51st Ave & Van Buren St.....</i>			<i>14:56</i>
Vee Quiva Casino.....	6:04	51st Ave & Lower Buckeye Rd...		10:50		<i>51st Ave & Thomas Rd.....</i>			<i>15:05</i>
51st Ave & Baseline Rd.....	6:15	51st Ave & Baseline Rd.....		10:58		<i>51st Ave & Camelback Rd.....</i>			<i>15:13</i>
51st Ave & Lower Buckeye Rd...	6:22	Vee Quiva Casino.....		11:10		<i>51st Ave & Glendale Ave.....</i>			<i>15:20</i>
51st Ave & Van Buren St.....	6:28	Komatke Health Center.....		11:22		<i>51st Ave & Olive Ave.....</i>			<i>15:27</i>
51st Ave & Thomas Rd.....	6:35	51st Ave & Pecos Rd.....		11:26		<i>ASU West Campus.....</i>			<i>15:38</i>
51st Ave & Camelback Rd.....	6:43								
51st Ave & Glendale Ave.....	6:48	51 / North / 206 / 20163605							
51st Ave & Olive Ave.....	6:55	51st Ave & Pecos Rd.....		11:51					
ASU West Campus.....	7:05	Vee Quiva Casino.....		12:01					
		51st Ave & Baseline Rd.....		12:13					
51 / South / 27 / 20164072		51st Ave & Lower Buckeye Rd...		12:20					
ASU West Campus.....	7:38	51st Ave & Van Buren St.....		12:27					
51st Ave & Olive Ave.....	7:49	51st Ave & Thomas Rd.....		12:35					
51st Ave & Glendale Ave.....	7:55	51st Ave & Camelback Rd.....		12:43					
51st Ave & Camelback Rd.....	8:00	51st Ave & Glendale Ave.....		12:50					
51st Ave & Thomas Rd.....	8:07	51st Ave & Olive Ave.....		12:57					
51st Ave & Van Buren St.....	8:15	ASU West Campus.....		13:08					
51st Ave & Lower Buckeye Rd...	8:20								
51st Ave & Baseline Rd.....	8:27								

Phoenix West

Effective: 01/22/2024

2019
Saturday

Duty Type	Block	Report Time	Start Place	Start Time	End Time	End Place	Clear Time	Paid Time	Seat Time
ST	2020 CAR	4:23	WEST 51VB	4:28 14:26	14:26 14:40	51VB WEST	14:40	10h17	7h29

Sign-on	4:23	51 / South / 27 / 20164097	51 / North / 206 / 20163601
		ASU West Campus.....	51st Ave & Pecos Rd.....
		9:37	13:50
Block	2020	51st Ave & Olive Ave.....	Vee Quiva Casino.....
		51st Ave & Glendale Ave.....	51st Ave & Baseline Rd.....
		9:48	14:00
		9:54	14:12
Pull Out		51st Ave & Camelback Rd.....	51st Ave & Lower Buckeye Rd...
		10:00	14:19
West Transit Facility.....	4:43	51st Ave & Thomas Rd.....	51st Ave & Van Buren St.....
51st Ave & Thomas Rd.....	5:05	51st Ave & Van Buren St.....	14:26
		51st Ave & Lower Buckeye Rd...	
		10:07	
		10:15	
		10:20	
51 / North / 206 / 20164317		51st Ave & Baseline Rd.....	Travel by
		10:28	CAR
51st Ave & Thomas Rd.....	5:05		
51st Ave & Camelback Rd.....	5:13	Deadhead	Car Pull
51st Ave & Glendale Ave.....	5:18	51st Ave & Baseline Rd.....	51st Ave & Van Buren St.....
51st Ave & Olive Ave.....	5:25	10:28	14:26
ASU West Campus.....	5:35	51st Ave & Baseline Rd.....	14:40
		10:33	
			<i>51st Ave & Thomas Rd.....</i>
			<i>14:35</i>
			<i>51st Ave & Camelback Rd.....</i>
			<i>14:43</i>
			<i>51st Ave & Glendale Ave.....</i>
			<i>14:50</i>
			<i>51st Ave & Olive Ave.....</i>
			<i>14:57</i>
			<i>ASU West Campus.....</i>
			<i>15:08</i>
51 / South / 28 / 20163613		51 / North / 206 / 20164073	
ASU West Campus.....	6:08	51st Ave & Baseline Rd.....	10:43
51st Ave & Olive Ave.....	6:19	51st Ave & Lower Buckeye Rd...	10:50
51st Ave & Glendale Ave.....	6:25	51st Ave & Van Buren St.....	10:57
51st Ave & Camelback Rd.....	6:30	51st Ave & Thomas Rd.....	11:05
51st Ave & Thomas Rd.....	6:37	51st Ave & Camelback Rd.....	11:13
51st Ave & Van Buren St.....	6:45	51st Ave & Glendale Ave.....	11:20
51st Ave & Lower Buckeye Rd...	6:50	51st Ave & Olive Ave.....	11:27
51st Ave & Baseline Rd.....	6:57	ASU West Campus.....	11:38
Vee Quiva Casino.....	7:09		
Komatke Health Center.....	7:21	51 / South / 28 / 20163619	
51st Ave & Pecos Rd.....	7:25	ASU West Campus.....	12:02
		51st Ave & Olive Ave.....	12:14
		51st Ave & Glendale Ave.....	12:21
		51st Ave & Camelback Rd.....	12:28
		51st Ave & Thomas Rd.....	12:37
		51st Ave & Van Buren St.....	12:45
		51st Ave & Lower Buckeye Rd...	12:50
		51st Ave & Baseline Rd.....	12:58
		Vee Quiva Casino.....	13:10
		Komatke Health Center.....	13:22
		51st Ave & Pecos Rd.....	13:26
51 / North / 206 / 20163600			
51st Ave & Pecos Rd.....	7:52		
Vee Quiva Casino.....	8:02		
51st Ave & Baseline Rd.....	8:13		
51st Ave & Lower Buckeye Rd...	8:20		
51st Ave & Van Buren St.....	8:27		
51st Ave & Thomas Rd.....	8:35		
51st Ave & Camelback Rd.....	8:43		
51st Ave & Glendale Ave.....	8:50		
51st Ave & Olive Ave.....	8:57		
ASU West Campus.....	9:07		

Phoenix West

Effective: 01/22/2024

2020

Saturday

Duty Type	Block	Report Time	Start Place	Start Time	End Time	End Place	Clear Time	Paid Time	Seat Time
ST	2019	4:23	WEST	4:28	13:32	75LB			
	CAR		75LB	13:32	13:42	WEST	13:42	9h19	5h36

Sign-on	4:23	Deadhead			67 / North / 250 / 20164216				
		75th Ave & Lower Buckeye Rd		7:43	Sierra Linda HS-North.....				10:47
Block	2019	Sierra Linda HS-North.....		7:48	67th Ave & Van Buren St.....				10:54
					67th Ave & Thomas Rd.....				11:03
Pull Out		67 / North / 250 / 20164210			67th Ave & Camelback Rd.....				11:10
West Transit Facility.....	4:43	Sierra Linda HS-North.....		7:48					
59th Ave & Buckeye Rd.....	4:55	67th Ave & Van Buren St.....		7:55	Deadhead				
		67th Ave & Thomas Rd.....		8:03	67th Ave & Camelback Rd.....				11:10
		67th Ave & Camelback Rd.....		8:10	59th Ave & Camelback Rd.....				11:13
59 / North / 266 / 20164321		Deadhead			59 / South / 220 / 20164118				
59th Ave & Buckeye Rd.....	4:55	67th Ave & Camelback Rd.....		8:10	59th Ave & Camelback Rd.....				11:27
59th Ave & Van Buren St.....	4:57	59th Ave & Camelback Rd.....		8:13	59th Ave & Thomas Rd.....				11:34
59th Ave & Thomas Rd.....	5:05				59th Ave & Van Buren St.....				11:43
59th Ave & Camelback Rd.....	5:13				59th Ave & Buckeye Rd.....				11:46
Deadhead		59 / South / 220 / 20164110			Deadhead				
59th Ave & Camelback Rd.....	5:13	59th Ave & Camelback Rd.....		8:27	59th Ave & Buckeye Rd.....				11:46
59th Ave & Camelback Rd.....	5:17	59th Ave & Thomas Rd.....		8:34	51st Ave & Hadley St.....				11:50
		59th Ave & Van Buren St.....		8:42					
59 / South / 220 / 20164322		59th Ave & Buckeye Rd.....		8:45	Deadhead				
59th Ave & Camelback Rd.....	5:27	51st Ave & Hadley St.....		8:49	51st Ave & Hadley St.....				12:21
59th Ave & Thomas Rd.....	5:34				59th Ave & Buckeye Rd.....				12:25
59th Ave & Van Buren St.....	5:42								
59th Ave & Buckeye Rd.....	5:45	Deadhead			59 / North / 266 / 20164130				
Deadhead		Deadhead			51st Ave & Hadley St.....				12:25
59th Ave & Buckeye Rd.....	5:45	51st Ave & Hadley St.....		9:21	59th Ave & Buckeye Rd.....				12:27
51st Ave & Hadley St.....	5:49			9:25	59th Ave & Van Buren St.....				12:27
Deadhead		59 / North / 266 / 20164131			59th Ave & Thomas Rd.....				12:35
51st Ave & Hadley St.....	6:21	59th Ave & Buckeye Rd.....		9:25	59th Ave & Camelback Rd.....				12:43
59th Ave & Buckeye Rd.....	6:25	59th Ave & Van Buren St.....		9:27	Deadhead				
		59th Ave & Thomas Rd.....		9:35	59th Ave & Camelback Rd.....				12:43
59 / North / 266 / 20164128		59th Ave & Camelback Rd.....		9:43	75th Ave & Camelback Rd.....				12:52
59th Ave & Buckeye Rd.....	6:25	Deadhead			75 / South / 149 / 20164191				
59th Ave & Van Buren St.....	6:27	59th Ave & Camelback Rd.....		9:43	75th Ave & Camelback Rd.....				13:00
59th Ave & Thomas Rd.....	6:35	75th Ave & Camelback Rd.....		9:52	Desert Sky TC.....				13:09
59th Ave & Camelback Rd.....	6:43				75th Ave & Van Buren St.....				13:21
Deadhead		75 / South / 149 / 20164225			75th Ave & Lower Buckeye Rd				13:25
59th Ave & Camelback Rd.....	6:43	75th Ave & Camelback Rd.....		10:00	Travel by				CAR
75th Ave & Camelback Rd.....	6:52	Desert Sky TC.....		10:08	Car Pull				
		75th Ave & Van Buren St.....		10:19	75th Ave & Lower Buckeye Rd				13:32
75 / South / 149 / 20164230		75th Ave & Lower Buckeye Rd		10:23	West Transit Facility.....				13:42
75th Ave & Camelback Rd.....	7:00	Deadhead							
Desert Sky TC.....	7:08	75th Ave & Lower Buckeye Rd		10:42	67 / North / 250 / 20164219				
75th Ave & Van Buren St.....	7:19	Sierra Linda HS-North.....		10:47	Sierra Linda HS-North.....				13:45
75th Ave & Lower Buckeye Rd	7:23				67th Ave & Van Buren St.....				13:54
					67th Ave & Thomas Rd.....				14:03
					67th Ave & Camelback Rd.....				14:10

Phoenix West

Effective: 01/22/2024

2021
Saturday

Duty Type	Block	Report Time	Start Place	Start Time	End Time	End Place	Clear Time	Paid Time	Seat Time
ST	2021	4:24	WEST	4:29	10:41	43LB			
	CAR		43LB	10:41	11:02	WEST	11:02	6h38	5h06

Sign-on	4:24	43 / South / 207 / 20163584			43 / South / 207 / 20164013				
		43rd Ave & Union Hills Dr.....	7:05		43rd Ave & Union Hills Dr.....	9:33			
Block	2021	43rd Ave & Thunderbird Rd.....	7:12		43rd Ave & Thunderbird Rd.....	9:40			
		43rd Ave & Dunlap Ave.....	7:21		43rd Ave & Dunlap Ave.....	9:50			
Pull Out		43rd Ave & Glendale Ave.....	7:27		43rd Ave & Glendale Ave.....	9:56			
West Transit Facility.....	4:44	43rd Ave & Camelback Rd.....	7:34		43rd Ave & Camelback Rd.....	10:04			
43rd Ave & Camelback Rd.....	5:04	43rd Ave & Thomas Rd.....	7:43		43rd Ave & Thomas Rd.....	10:14			
		43rd Ave & Van Buren St.....	7:51		43rd Ave & Van Buren St.....	10:22			
43 / South / 207 / 20164313		43rd Ave & Lower Buckeye Rd	7:59		43rd Ave & Lower Buckeye Rd	10:30			
43rd Ave & Camelback Rd.....	5:04								
43rd Ave & Thomas Rd.....	5:12	Deadhead			Deadhead				
43rd Ave & Van Buren St.....	5:20	43rd Ave & Lower Buckeye Rd	7:59		43rd Ave & Lower Buckeye Rd	10:30			
43rd Ave & Lower Buckeye Rd	5:27	43rd Ave & Lower Buckeye Rd	8:05		43rd Ave & Lower Buckeye Rd	10:36			
Deadhead		43 / North / 182 / 20163989			Travel by	CAR			
43rd Ave & Lower Buckeye Rd	5:27	43rd Ave & Lower Buckeye Rd	8:19						
43rd Ave & Lower Buckeye Rd	5:33	43rd Ave & Van Buren St.....	8:25		Car Pull				
		43rd Ave & Thomas Rd.....	8:33		43rd Ave & Lower Buckeye Rd	10:41			
43 / North / 182 / 20163582		43rd Ave & Camelback Rd.....	8:40		West Transit Facility.....	11:02			
43rd Ave & Lower Buckeye Rd	5:49	43rd Ave & Glendale Ave.....	8:46						
43rd Ave & Van Buren St.....	5:55	43rd Ave & Dunlap Ave.....	8:52		43 / North / 182 / 20163571				
43rd Ave & Thomas Rd.....	6:03	43rd Ave & Thunderbird Rd.....	9:00		<i>43rd Ave & Lower Buckeye Rd</i>	<i>10:46</i>			
43rd Ave & Camelback Rd.....	6:10	43rd Ave & Union Hills Dr.....	9:09		<i>43rd Ave & Van Buren St.....</i>	<i>10:52</i>			
43rd Ave & Glendale Ave.....	6:16				<i>43rd Ave & Thomas Rd.....</i>	<i>11:02</i>			
43rd Ave & Dunlap Ave.....	6:22	Deadhead			<i>43rd Ave & Camelback Rd.....</i>	<i>11:10</i>			
43rd Ave & Thunderbird Rd.....	6:29	43rd Ave & Union Hills Dr.....	9:09		<i>43rd Ave & Glendale Ave.....</i>	<i>11:17</i>			
43rd Ave & Union Hills Dr.....	6:38	43rd Ave & Union Hills Dr.....	9:16		<i>43rd Ave & Dunlap Ave.....</i>	<i>11:24</i>			
Deadhead					<i>43rd Ave & Thunderbird Rd.....</i>	<i>11:32</i>			
43rd Ave & Union Hills Dr.....	6:38				<i>43rd Ave & Union Hills Dr.....</i>	<i>11:41</i>			
43rd Ave & Union Hills Dr.....	6:45								

Phoenix West

Effective: 01/22/2024

2022
Saturday

Duty Type	Block	Report Time	Start Place	Start Time	End Time	End Place	Clear Time	Paid Time	Seat Time
ST	2023	4:25	WEST	4:30	12:42	DSTC			
	CAR		DSTC	12:42	12:56	WEST	12:56	8h31	5h50

Sign-on	4:25	67 / North / 108 / 20163510		75 / North / 147 / 20163803
		Sierra Linda HS-North.....	7:18	75th Ave & Lower Buckeye Rd 11:25
Block	2023	67th Ave & Van Buren St.....	7:25	75th Ave & Van Buren St..... 11:30
		67th Ave & Thomas Rd.....	7:33	Desert Sky TC..... 11:41
Pull Out		67th Ave & Camelback Rd.....	7:40	75th Ave & Camelback Rd..... 11:51
West Transit Facility.....	4:45	67th Ave & Glendale Ave.....	7:49	
75th Ave & Lower Buckeye Rd	4:55	67th Ave & Olive Ave.....	7:55	Deadhead
		67th Ave & Thunderbird Rd.....	8:04	75th Ave & Camelback Rd..... 11:51
		67th Ave & Union Hills Dr.....	8:14	83rd Ave & Camelback Rd..... 11:54
75 / North / 147 / 20164328				
75th Ave & Lower Buckeye Rd	4:55			
75th Ave & Van Buren St.....	4:59	Deadhead		83 / South / 155 / 20163817
Desert Sky TC.....	5:07	67th Ave & Union Hills Dr.....	8:14	83rd Ave & Camelback Rd..... 12:02
75th Ave & Camelback Rd.....	5:15	67th Ave & Union Hills Dr.....	8:19	Desert Sky TC..... 12:11
				83rd Ave & Van Buren St..... 12:21
Deadhead		67 / South / 254 / 20163526		
75th Ave & Camelback Rd.....	5:15	67th Ave & Union Hills Dr.....	8:40	Deadhead
83rd Ave & Camelback Rd.....	5:18	67th Ave & Thunderbird Rd.....	8:50	83rd Ave & Van Buren St..... 12:21
		67th Ave & Olive Ave.....	8:59	83rd Ave & Van Buren St..... 12:25
83 / South / 155 / 20164331		67th Ave & Glendale Ave.....	9:06	
83rd Ave & Camelback Rd.....	5:35	67th Ave & Camelback Rd.....	9:15	83 / North / 183 / 20164184
Desert Sky TC.....	5:41	67th Ave & Thomas Rd.....	9:22	83rd Ave & Van Buren St..... 12:33
83rd Ave & Van Buren St.....	5:49	67th Ave & Van Buren St.....	9:30	Desert Sky TC..... 12:42
		Sierra Linda HS-South.....	9:38	
Deadhead				Travel by CAR
83rd Ave & Van Buren St.....	5:49	Deadhead		
83rd Ave & Van Buren St.....	5:53	Sierra Linda HS-South.....	9:38	Car Pull
		75th Ave & Lower Buckeye Rd	9:43	Desert Sky TC..... 12:42
				West Transit Facility..... 12:56
83 / North / 153 / 20163832				
83rd Ave & Van Buren St.....	6:05	75 / North / 147 / 20164159		<i>83rd Ave & Camelback Rd..... 12:52</i>
Desert Sky TC.....	6:12	75th Ave & Lower Buckeye Rd	9:55	<i>83rd Ave & Glendale Ave..... 12:57</i>
83rd Ave & Camelback Rd.....	6:21	75th Ave & Van Buren St.....	10:00	<i>83rd Ave & Peoria Ave..... 13:09</i>
		Desert Sky TC.....	10:10	<i>83rd Ave & Thunderbird Rd..... 13:15</i>
Deadhead		75th Ave & Camelback Rd.....	10:19	<i>Arrowhead Mall North..... 13:26</i>
83rd Ave & Camelback Rd.....	6:21			
75th Ave & Camelback Rd.....	6:24	Deadhead		
		75th Ave & Camelback Rd.....	10:19	83 / South / 155 / 20164185
		67th Ave & Camelback Rd.....	10:22	<i>Arrowhead Mall North..... 13:57</i>
75 / South / 149 / 20163779				<i>83rd Ave & Thunderbird Rd..... 14:08</i>
75th Ave & Camelback Rd.....	6:30	67 / South / 254 / 20164147		<i>83rd Ave & Peoria Ave..... 14:14</i>
Desert Sky TC.....	6:38	67th Ave & Camelback Rd.....	10:45	<i>83rd Ave & Glendale Ave..... 14:27</i>
75th Ave & Van Buren St.....	6:47	67th Ave & Thomas Rd.....	10:52	<i>83rd Ave & Camelback Rd..... 14:32</i>
75th Ave & Lower Buckeye Rd	6:51	67th Ave & Van Buren St.....	11:00	<i>Desert Sky TC..... 14:41</i>
		Sierra Linda HS-South.....	11:08	<i>83rd Ave & Van Buren St..... 14:51</i>
Deadhead				
75th Ave & Lower Buckeye Rd	7:13	Deadhead		
Sierra Linda HS-North.....	7:18	Sierra Linda HS-South.....	11:08	
		75th Ave & Lower Buckeye Rd	11:13	

Phoenix West

Effective: 01/22/2024

2023

Saturday

Duty Type	Block	Report Time	Start Place	Start Time	End Time	End Place	Clear Time	Paid Time	Seat Time
ST	2022	4:25	WEST	4:30	14:26	75LB			
	CAR		75LB	14:26	14:36	WEST	14:36	10h11	6h14

Sign-on	4:25	75 / South / 149 / 20164231			67 / North / 250 / 20164217				
		75th Ave & Camelback Rd.....	8:00		Sierra Linda HS-North.....			11:46	
Block	2022	Desert Sky TC.....	8:08		67th Ave & Van Buren St.....			11:53	
		75th Ave & Van Buren St.....	8:19		67th Ave & Thomas Rd.....			12:02	
Pull Out		75th Ave & Lower Buckeye Rd	8:23		67th Ave & Camelback Rd.....			12:10	
West Transit Facility.....	4:45								
75th Ave & Camelback Rd.....	5:00	Deadhead			Deadhead				
		75th Ave & Lower Buckeye Rd	8:42		67th Ave & Camelback Rd.....			12:10	
		Sierra Linda HS-North.....	8:47		59th Ave & Camelback Rd.....			12:13	
75 / South / 149 / 20164330		67 / North / 250 / 20164214			59 / South / 220 / 20164119				
75th Ave & Camelback Rd.....	5:00	Sierra Linda HS-North.....	8:47		59th Ave & Camelback Rd.....			12:27	
Desert Sky TC.....	5:08	67th Ave & Van Buren St.....	8:54		59th Ave & Thomas Rd.....			12:34	
75th Ave & Van Buren St.....	5:17	67th Ave & Thomas Rd.....	9:03		59th Ave & Van Buren St.....			12:43	
75th Ave & Lower Buckeye Rd	5:21	67th Ave & Camelback Rd.....	9:10		59th Ave & Buckeye Rd.....			12:46	
Deadhead		Deadhead			Deadhead				
75th Ave & Lower Buckeye Rd	5:43	67th Ave & Camelback Rd.....	9:10		59th Ave & Buckeye Rd.....			12:46	
Sierra Linda HS-North.....	5:48	59th Ave & Camelback Rd.....	9:13		51st Ave & Hadley St.....			12:50	
67 / North / 250 / 20164326		59 / South / 220 / 20164114			Deadhead				
Sierra Linda HS-North.....	5:48	59th Ave & Camelback Rd.....	9:27		51st Ave & Hadley St.....			13:19	
67th Ave & Van Buren St.....	5:55	59th Ave & Thomas Rd.....	9:34		59th Ave & Buckeye Rd.....			13:23	
67th Ave & Thomas Rd.....	6:03	59th Ave & Van Buren St.....	9:42						
67th Ave & Camelback Rd.....	6:10	59th Ave & Buckeye Rd.....	9:45		59 / North / 266 / 20164135				
Deadhead		Deadhead			59th Ave & Buckeye Rd.....			13:23	
67th Ave & Camelback Rd.....	6:10	59th Ave & Buckeye Rd.....	9:45		59th Ave & Van Buren St.....			13:25	
59th Ave & Camelback Rd.....	6:13	51st Ave & Hadley St.....	9:49		59th Ave & Thomas Rd.....			13:34	
59 / South / 220 / 20164112		Deadhead			59th Ave & Camelback Rd.....			13:43	
59th Ave & Camelback Rd.....	6:27	51st Ave & Hadley St.....	10:21		59th Ave & Buckeye Rd.....			13:52	
59th Ave & Thomas Rd.....	6:34	59th Ave & Buckeye Rd.....	10:25						
59th Ave & Van Buren St.....	6:42				Deadhead				
59th Ave & Buckeye Rd.....	6:45	59 / North / 266 / 20164132			59th Ave & Camelback Rd.....			14:00	
Deadhead		59th Ave & Buckeye Rd.....	10:25		75 / South / 149 / 20164194				
59th Ave & Buckeye Rd.....	6:45	59th Ave & Van Buren St.....	10:27		75th Ave & Camelback Rd.....			14:09	
51st Ave & Hadley St.....	6:49	59th Ave & Thomas Rd.....	10:35		Desert Sky TC.....			14:09	
Deadhead		59th Ave & Camelback Rd.....	10:43		75th Ave & Van Buren St.....			14:22	
51st Ave & Hadley St.....	7:21	Deadhead			75th Ave & Lower Buckeye Rd			14:26	
59th Ave & Buckeye Rd.....	7:25	59th Ave & Camelback Rd.....	10:43		Travel by			CAR	
59 / North / 266 / 20164125		75th Ave & Camelback Rd.....	10:52		Car Pull				
59th Ave & Buckeye Rd.....	7:25				75th Ave & Lower Buckeye Rd			14:26	
59th Ave & Van Buren St.....	7:27	75 / South / 149 / 20164189			West Transit Facility.....			14:36	
59th Ave & Thomas Rd.....	7:35	75th Ave & Camelback Rd.....	11:00						
59th Ave & Camelback Rd.....	7:43	Desert Sky TC.....	11:08		67 / North / 250 / 20164220				
Deadhead		75th Ave & Van Buren St.....	11:20		Sierra Linda HS-North.....			14:45	
59th Ave & Camelback Rd.....	7:43	75th Ave & Lower Buckeye Rd	11:24		67th Ave & Van Buren St.....			14:54	
75th Ave & Camelback Rd.....	7:52	Deadhead			67th Ave & Thomas Rd.....			15:03	
		75th Ave & Lower Buckeye Rd	11:41		67th Ave & Camelback Rd.....			15:10	
		Sierra Linda HS-North.....	11:46						

Phoenix West

Effective: 01/22/2024

2024
Saturday

Duty Type	Block	Report Time	Start Place	Start Time	End Time	End Place	Clear Time	Paid Time	Seat Time
ST	2024	4:27	WEST	4:32	13:22	43MC	13:42	9h15	7h26
	CAR		43MC	13:22	13:42	WEST	13:42		

Sign-on	4:27	Deadhead		Travel by	CAR
Block	2024	Pima Rd & McDowell Rd.....	9:30	Car Pull	
Pull Out		17 / West / 127 / 20163756		43rd Ave & McDowell Rd.....	13:22
West Transit Facility.....	4:47	Pima Rd & McDowell Rd.....	10:02	West Transit Facility.....	13:42
52nd St & McDowell Rd.....	5:20	Scottsdale Rd & McDowell Rd....	10:09	19th Ave & McDowell Rd.....	13:37
		52nd St & McDowell Rd.....	10:16	Central Ave & McDowell Rd....	13:47
17 / West / 127 / 20164037		44th St & McDowell Rd.....	10:19	24th St & McDowell Rd.....	13:59
52nd St & McDowell Rd.....	5:20	24th St & McDowell Rd.....	10:31	44th St & McDowell Rd.....	14:11
44th St & McDowell Rd.....	5:23	Central Ave & McDowell Rd.....	10:43	52nd St & McDowell Rd.....	14:14
24th St & McDowell Rd.....	5:33	19th Ave & McDowell Rd.....	10:51	Scottsdale Rd & McDowell Rd	14:22
Central Ave & McDowell Rd.....	5:43	43rd Ave & McDowell Rd.....	11:06	Pima Rd & McDowell Rd.....	14:30
19th Ave & McDowell Rd.....	5:49	67th Ave & McDowell Rd.....	11:20		
43rd Ave & McDowell Rd.....	6:01	83rd Ave & McDowell Rd.....	11:27	17 / West / 127 / 20163761	
67th Ave & McDowell Rd.....	6:12	99th Ave & McDowell Rd.....	11:35	Pima Rd & McDowell Rd.....	15:02
83rd Ave & McDowell Rd.....	6:19	Litchfield Rd & McDowell Rd.....	11:50	Scottsdale Rd & McDowell Rd	15:09
99th Ave & McDowell Rd.....	6:27	Pebble Creek Pkwy & McDow	11:57	52nd St & McDowell Rd.....	15:16
Litchfield Rd & McDowell Rd.....	6:42			44th St & McDowell Rd.....	15:19
Pebble Creek Pkwy & McDow	6:49	Deadhead		24th St & McDowell Rd.....	15:31
		Pebble Creek Pkwy & McDow	11:57	Central Ave & McDowell Rd....	15:43
Deadhead		Pebble Creek Pkwy & McDow	12:04	19th Ave & McDowell Rd.....	15:51
Pebble Creek Pkwy & McDow	6:49			43rd Ave & McDowell Rd.....	16:06
Pebble Creek Pkwy & McDow	6:56	17 / East / 132 / 20163742		67th Ave & McDowell Rd.....	16:20
		Pebble Creek Pkwy & McDow	12:32	83rd Ave & McDowell Rd.....	16:27
17 / East / 132 / 20163740		Litchfield Rd & McDowell Rd.....	12:39	99th Ave & McDowell Rd.....	16:35
Pebble Creek Pkwy & McDow	7:32	99th Ave & McDowell Rd.....	12:54	Litchfield Rd & McDowell Rd...	16:50
Litchfield Rd & McDowell Rd.....	7:39	83rd Ave & McDowell Rd.....	13:02	Pebble Creek Pkwy & McDow	16:57
99th Ave & McDowell Rd.....	7:54	67th Ave & McDowell Rd.....	13:09		
83rd Ave & McDowell Rd.....	8:02	43rd Ave & McDowell Rd.....	13:22		
67th Ave & McDowell Rd.....	8:09				
43rd Ave & McDowell Rd.....	8:22				
19th Ave & McDowell Rd.....	8:37				
Central Ave & McDowell Rd.....	8:47				
24th St & McDowell Rd.....	8:59				
44th St & McDowell Rd.....	9:11				
52nd St & McDowell Rd.....	9:14				
Scottsdale Rd & McDowell Rd....	9:22				
Pima Rd & McDowell Rd.....	9:30				

Phoenix West

Effective: 01/22/2024

2025

Saturday

Duty Type	Block	Report Time	Start Place	Start Time	End Time	End Place	Clear Time	Paid Time	Seat Time
ST	2025	4:29	WEST	4:34	14:38	ASUW	15:13	10h44	8h12
	CAR		ASUW	14:38	15:13	WEST			

Sign-on	4:29	51 / South / 28 / 20163616				Deadhead			
		ASU West Campus.....		9:07		51st Ave & Baseline Rd.....		13:28	
Block	2025	51st Ave & Olive Ave.....		9:18		51st Ave & Baseline Rd.....		13:33	
		51st Ave & Glendale Ave.....		9:24					
Pull Out		51st Ave & Camelback Rd.....		9:30		51 / North / 206 / 20164070			
West Transit Facility.....	4:49	51st Ave & Thomas Rd.....		9:37		51st Ave & Baseline Rd.....		13:42	
51st Ave & Baseline Rd.....	5:15	51st Ave & Van Buren St.....		9:45		51st Ave & Lower Buckeye Rd...		13:49	
		51st Ave & Lower Buckeye Rd...		9:50		51st Ave & Van Buren St.....		13:56	
51 / North / 206 / 20164315		51st Ave & Baseline Rd.....		9:58		51st Ave & Thomas Rd.....		14:05	
51st Ave & Baseline Rd.....	5:15	Vee Quiva Casino.....		10:10		51st Ave & Camelback Rd.....		14:13	
51st Ave & Lower Buckeye Rd...	5:22	Komatke Health Center.....		10:22		51st Ave & Glendale Ave.....		14:20	
51st Ave & Van Buren St.....	5:28	51st Ave & Pecos Rd.....		10:26		51st Ave & Olive Ave.....		14:27	
51st Ave & Thomas Rd.....	5:35					ASU West Campus.....		14:38	
51st Ave & Camelback Rd.....	5:43	51 / North / 206 / 20163603							
51st Ave & Glendale Ave.....	5:48	51st Ave & Pecos Rd.....		10:51		Travel by		CAR	
51st Ave & Olive Ave.....	5:55	Vee Quiva Casino.....		11:01		Car Pull			
ASU West Campus.....	6:05	51st Ave & Baseline Rd.....		11:13		ASU West Campus.....		14:38	
		51st Ave & Lower Buckeye Rd...		11:20		West Transit Facility.....		15:13	
51 / South / 27 / 20164083		51st Ave & Van Buren St.....		11:27					
ASU West Campus.....	6:38	51st Ave & Thomas Rd.....		11:35		51 / South / 28 / 20163622			
51st Ave & Olive Ave.....	6:49	51st Ave & Camelback Rd.....		11:43		<i>ASU West Campus.....</i>		<i>15:02</i>	
51st Ave & Glendale Ave.....	6:55	51st Ave & Glendale Ave.....		11:50		<i>51st Ave & Olive Ave.....</i>		<i>15:14</i>	
51st Ave & Camelback Rd.....	7:00	51st Ave & Olive Ave.....		11:57		<i>51st Ave & Glendale Ave.....</i>		<i>15:21</i>	
51st Ave & Thomas Rd.....	7:07	ASU West Campus.....		12:08		<i>51st Ave & Camelback Rd.....</i>		<i>15:28</i>	
51st Ave & Van Buren St.....	7:15					<i>51st Ave & Thomas Rd.....</i>		<i>15:37</i>	
51st Ave & Lower Buckeye Rd...	7:20	51 / South / 27 / 20164068				<i>51st Ave & Van Buren St.....</i>		<i>15:45</i>	
51st Ave & Baseline Rd.....	7:27	ASU West Campus.....		12:32		<i>51st Ave & Lower Buckeye Rd</i>		<i>15:50</i>	
		51st Ave & Olive Ave.....		12:44		<i>51st Ave & Baseline Rd.....</i>		<i>15:58</i>	
Deadhead		51st Ave & Glendale Ave.....		12:51		<i>Vee Quiva Casino.....</i>		<i>16:10</i>	
51st Ave & Baseline Rd.....	7:27	51st Ave & Camelback Rd.....		12:58		<i>Komatke Health Center.....</i>		<i>16:22</i>	
51st Ave & Baseline Rd.....	7:32	51st Ave & Thomas Rd.....		13:07		<i>51st Ave & Pecos Rd.....</i>		<i>16:26</i>	
		51st Ave & Van Buren St.....		13:15					
51 / North / 206 / 20164079		51st Ave & Lower Buckeye Rd...		13:20					
51st Ave & Baseline Rd.....	7:43	51st Ave & Baseline Rd.....		13:28					
51st Ave & Lower Buckeye Rd...	7:50								
51st Ave & Van Buren St.....	7:57								
51st Ave & Thomas Rd.....	8:05								
51st Ave & Camelback Rd.....	8:13								
51st Ave & Glendale Ave.....	8:20								
51st Ave & Olive Ave.....	8:27								
ASU West Campus.....	8:37								

Phoenix West

Effective: 01/22/2024

2026

Saturday

Duty Type	Block	Report Time	Start Place	Start Time	End Time	End Place	Clear Time	Paid Time	Seat Time
ST	2026 CAR	4:30	WEST DSTC	4:35 13:43	13:43 13:57	DSTC WEST	13:57	9h27	6h43

Sign-on	4:30	Deadhead				Deadhead			
		83rd Ave & Van Buren St.....		7:50		Sierra Linda HS-South.....		11:38	
Block	2026	83rd Ave & Van Buren St.....		7:54		75th Ave & Lower Buckeye Rd		11:43	
Pull Out		83 / North / 153 / 20163830				75 / North / 147 / 20164162			
West Transit Facility.....	4:50	83rd Ave & Van Buren St.....		8:04		75th Ave & Lower Buckeye Rd		11:55	
83rd Ave & Camelback Rd.....	5:05	Desert Sky TC.....		8:12		75th Ave & Van Buren St.....		12:00	
		83rd Ave & Camelback Rd.....		8:21		Desert Sky TC.....		12:12	
		83 / South / 155 / 20164332				75th Ave & Camelback Rd.....		12:22	
83rd Ave & Camelback Rd.....	5:05	Deadhead							
Desert Sky TC.....	5:11	83rd Ave & Camelback Rd.....		8:21		Deadhead			
83rd Ave & Van Buren St.....	5:19	75th Ave & Camelback Rd.....		8:24		75th Ave & Camelback Rd.....		12:22	
						67th Ave & Camelback Rd.....		12:25	
Deadhead		75 / South / 149 / 20163787							
83rd Ave & Van Buren St.....	5:19	75th Ave & Camelback Rd.....		8:30		67 / South / 254 / 20164142			
83rd Ave & Van Buren St.....	5:23	Desert Sky TC.....		8:38		67th Ave & Camelback Rd.....		12:45	
		75th Ave & Van Buren St.....		8:49		67th Ave & Thomas Rd.....		12:52	
		75th Ave & Lower Buckeye Rd		8:53		67th Ave & Van Buren St.....		13:02	
83 / North / 183 / 20164333						Sierra Linda HS-South.....		13:11	
83rd Ave & Van Buren St.....	5:35	Deadhead							
Desert Sky TC.....	5:42	75th Ave & Lower Buckeye Rd		9:12		Deadhead			
83rd Ave & Camelback Rd.....	5:51	Sierra Linda HS-North.....		9:17		Sierra Linda HS-South.....		13:11	
83rd Ave & Glendale Ave.....	5:56					75th Ave & Lower Buckeye Rd		13:16	
83rd Ave & Peoria Ave.....	6:06								
83rd Ave & Thunderbird Rd.....	6:12	67 / North / 108 / 20163512							
Arrowhead Mall North.....	6:21	Sierra Linda HS-North.....		9:17		75 / North / 147 / 20163805			
		67th Ave & Van Buren St.....		9:24		75th Ave & Lower Buckeye Rd		13:25	
Deadhead		67th Ave & Thomas Rd.....		9:33		75th Ave & Van Buren St.....		13:31	
Arrowhead Mall North.....	6:21	67th Ave & Camelback Rd.....		9:40		Desert Sky TC.....		13:43	
Arrowhead Mall Layover.....	6:23	67th Ave & Glendale Ave.....		9:50					
		67th Ave & Olive Ave.....		9:56		Travel by		CAR	
Deadhead		67th Ave & Thunderbird Rd.....		10:06					
Arrowhead Mall Layover.....	7:01	67th Ave & Union Hills Dr.....		10:16		Car Pull			
Arrowhead Mall North.....	7:03					Desert Sky TC.....		13:43	
		Deadhead				West Transit Facility.....		13:57	
83 / South / 155 / 20164202		67th Ave & Union Hills Dr.....		10:16					
Arrowhead Mall North.....	7:03	67th Ave & Union Hills Dr.....		10:21		75th Ave & Camelback Rd.....		13:53	
83rd Ave & Thunderbird Rd.....	7:13								
83rd Ave & Peoria Ave.....	7:19	67 / South / 254 / 20163528				83 / South / 155 / 20163825			
83rd Ave & Glendale Ave.....	7:30	67th Ave & Union Hills Dr.....		10:39		83rd Ave & Camelback Rd.....		14:02	
83rd Ave & Camelback Rd.....	7:35	67th Ave & Thunderbird Rd.....		10:50		Desert Sky TC.....		14:11	
Desert Sky TC.....	7:41	67th Ave & Olive Ave.....		10:59		83rd Ave & Van Buren St.....		14:21	
83rd Ave & Van Buren St.....	7:50	67th Ave & Glendale Ave.....		11:06					
		67th Ave & Camelback Rd.....		11:15					
		67th Ave & Thomas Rd.....		11:22					
		67th Ave & Van Buren St.....		11:30					
		Sierra Linda HS-South.....		11:38					

Phoenix West

Effective: 01/22/2024

2027
Saturday

Duty Type	Block	Report Time	Start Place	Start Time	End Time	End Place	Clear Time	Paid Time	Seat Time
ST	2027	4:30	WEST	4:35	14:29	75BU	14:39	10h09	7h02
	CAR		75BU	14:29	14:39	WEST			

Sign-on	4:30	Deadhead			Deadhead				
		75th Ave & Buckeye Rd.....		8:24	75th Ave & Buckeye Rd.....			12:25	
Block	2027	75th Ave & Buckeye Rd.....		8:28	75th Ave & Buckeye Rd.....			12:29	
Pull Out		13 / East / 36 / 20163539			13 / East / 36 / 20163543				
West Transit Facility.....	4:50	75th Ave & Buckeye Rd.....		9:00	75th Ave & Buckeye Rd.....			13:00	
75th Ave & Buckeye Rd.....	5:00	59th Ave & Buckeye Rd.....		9:04	59th Ave & Buckeye Rd.....			13:04	
		43rd Ave & Buckeye Rd.....		9:09	43rd Ave & Buckeye Rd.....			13:09	
13 / East / 36 / 20164301		19th Ave & Buckeye Rd.....		9:19	19th Ave & Buckeye Rd.....			13:19	
75th Ave & Buckeye Rd.....	5:00	Central Ave & Buckeye Rd.....		9:25	Central Ave & Buckeye Rd.....			13:25	
59th Ave & Buckeye Rd.....	5:04	16th St & Buckeye Rd.....		9:30	16th St & Buckeye Rd.....			13:30	
43rd Ave & Buckeye Rd.....	5:09	Sky Harbor West.....		9:37	Sky Harbor West.....			13:37	
19th Ave & Buckeye Rd.....	5:19								
Central Ave & Buckeye Rd.....	5:25	13 / West / 120 / 20163999			13 / West / 120 / 20163981				
16th St & Buckeye Rd.....	5:30	Sky Harbor West.....		9:45	Sky Harbor West.....			13:45	
Sky Harbor West.....	5:37	16th St & Buckeye Rd.....		9:51	16th St & Buckeye Rd.....			13:52	
		Central Ave & Buckeye Rd.....		9:56	Central Ave & Buckeye Rd.....			13:57	
13 / West / 120 / 20164297		19th Ave & Buckeye Rd.....		10:03	19th Ave & Buckeye Rd.....			14:03	
Sky Harbor West.....	5:45	43rd Ave & Buckeye Rd.....		10:13	43rd Ave & Buckeye Rd.....			14:13	
16th St & Buckeye Rd.....	5:51	59th Ave & Buckeye Rd.....		10:18	59th Ave & Buckeye Rd.....			14:19	
Central Ave & Buckeye Rd.....	5:56	75th Ave & Buckeye Rd.....		10:24	75th Ave & Buckeye Rd.....			14:25	
19th Ave & Buckeye Rd.....	6:03								
43rd Ave & Buckeye Rd.....	6:13	Deadhead			Deadhead				
59th Ave & Buckeye Rd.....	6:18	75th Ave & Buckeye Rd.....		10:24	75th Ave & Buckeye Rd.....			14:25	
75th Ave & Buckeye Rd.....	6:24	75th Ave & Buckeye Rd.....		10:28	75th Ave & Buckeye Rd.....			14:29	
Deadhead		13 / East / 36 / 20163541			Travel by			CAR	
75th Ave & Buckeye Rd.....	6:24	75th Ave & Buckeye Rd.....		11:00	Car Pull				
75th Ave & Buckeye Rd.....	6:28	59th Ave & Buckeye Rd.....		11:04	75th Ave & Buckeye Rd.....			14:29	
		43rd Ave & Buckeye Rd.....		11:09	West Transit Facility.....			14:39	
13 / East / 36 / 20163537		19th Ave & Buckeye Rd.....		11:19					
75th Ave & Buckeye Rd.....	7:00	Central Ave & Buckeye Rd.....		11:25	13 / East / 36 / 20163545				
59th Ave & Buckeye Rd.....	7:04	16th St & Buckeye Rd.....		11:30	<i>75th Ave & Buckeye Rd.....</i>			<i>15:00</i>	
43rd Ave & Buckeye Rd.....	7:09	Sky Harbor West.....		11:37	<i>59th Ave & Buckeye Rd.....</i>			<i>15:04</i>	
19th Ave & Buckeye Rd.....	7:19				<i>43rd Ave & Buckeye Rd.....</i>			<i>15:09</i>	
Central Ave & Buckeye Rd.....	7:25	13 / West / 120 / 20163990			<i>19th Ave & Buckeye Rd.....</i>			<i>15:19</i>	
16th St & Buckeye Rd.....	7:30	Sky Harbor West.....		11:45	<i>Central Ave & Buckeye Rd.....</i>			<i>15:25</i>	
Sky Harbor West.....	7:37	16th St & Buckeye Rd.....		11:52	<i>16th St & Buckeye Rd.....</i>			<i>15:30</i>	
		Central Ave & Buckeye Rd.....		11:57	<i>Sky Harbor West.....</i>			<i>15:37</i>	
13 / West / 120 / 20164044		19th Ave & Buckeye Rd.....		12:03					
Sky Harbor West.....	7:45	43rd Ave & Buckeye Rd.....		12:13					
16th St & Buckeye Rd.....	7:51	59th Ave & Buckeye Rd.....		12:19					
Central Ave & Buckeye Rd.....	7:56	75th Ave & Buckeye Rd.....		12:25					
19th Ave & Buckeye Rd.....	8:03								
43rd Ave & Buckeye Rd.....	8:13								
59th Ave & Buckeye Rd.....	8:18								
75th Ave & Buckeye Rd.....	8:24								

Phoenix West

Effective: 01/22/2024

2028
Saturday

Duty Type	Block	Report Time	Start Place	Start Time	End Time	End Place	Clear Time	Paid Time	Seat Time
TRP	2028	4:30	WEST	4:35	9:36	43LB			
	CAR		43LB	9:36	9:57	WEST	9:57	5h27	4h12

Sign-on	4:30	Deadhead			Deadhead				
		43rd Ave & Lower Buckeye Rd		6:57	43rd Ave & Lower Buckeye Rd				9:30
Block	2028	43rd Ave & Lower Buckeye Rd		7:03	43rd Ave & Lower Buckeye Rd				9:36
Pull Out		43 / North / 182 / 20163983			Travel by				CAR
West Transit Facility.....	4:50	43rd Ave & Lower Buckeye Rd		7:19	Car Pull				
43rd Ave & Camelback Rd.....	5:10	43rd Ave & Van Buren St.....		7:25	43rd Ave & Lower Buckeye Rd				9:36
		43rd Ave & Thomas Rd.....		7:33	West Transit Facility.....				9:57
43 / North / 182 / 20164316		43rd Ave & Camelback Rd.....		7:40	43 / North / 182 / 20163570				
43rd Ave & Camelback Rd.....	5:10	43rd Ave & Glendale Ave.....		7:46	43rd Ave & Lower Buckeye Rd				9:46
43rd Ave & Glendale Ave.....	5:16	43rd Ave & Dunlap Ave.....		7:52	43rd Ave & Van Buren St.....				9:52
43rd Ave & Dunlap Ave.....	5:22	43rd Ave & Thunderbird Rd.....		7:59	43rd Ave & Thomas Rd.....				10:02
43rd Ave & Thunderbird Rd.....	5:29	43rd Ave & Union Hills Dr.....		8:08	43rd Ave & Camelback Rd.....				10:10
43rd Ave & Union Hills Dr.....	5:38	Deadhead			43rd Ave & Glendale Ave.....				10:17
		43rd Ave & Union Hills Dr.....		8:08	43rd Ave & Dunlap Ave.....				10:24
Deadhead		43rd Ave & Union Hills Dr.....		8:15	43rd Ave & Thunderbird Rd.....				10:32
43rd Ave & Union Hills Dr.....	5:38	43 / South / 207 / 20164007			43rd Ave & Union Hills Dr.....				10:41
43rd Ave & Union Hills Dr.....	5:45	43rd Ave & Union Hills Dr.....		8:34	43rd Ave & Thunderbird Rd.....				
		43rd Ave & Thunderbird Rd.....		8:41	43rd Ave & Dunlap Ave.....				
43 / South / 207 / 20163568		43rd Ave & Dunlap Ave.....		8:51	43rd Ave & Glendale Ave.....				
43rd Ave & Union Hills Dr.....	6:05	43rd Ave & Glendale Ave.....		8:57	43rd Ave & Camelback Rd.....				
43rd Ave & Thunderbird Rd.....	6:12	43rd Ave & Camelback Rd.....		9:04	43rd Ave & Thomas Rd.....				
43rd Ave & Dunlap Ave.....	6:21	43rd Ave & Thomas Rd.....		9:14	43rd Ave & Van Buren St.....				
43rd Ave & Glendale Ave.....	6:27	43rd Ave & Lower Buckeye Rd		9:30					
43rd Ave & Camelback Rd.....	6:34								
43rd Ave & Thomas Rd.....	6:42								
43rd Ave & Van Buren St.....	6:50								
43rd Ave & Lower Buckeye Rd	6:57								

Phoenix West

Effective: 01/22/2024

2029
Saturday

Duty Type	Block	Report Time	Start Place	Start Time	End Time	End Place	Clear Time	Paid Time	Seat Time
ST	2029	4:30	WEST	4:35	12:55	83VB			
	CAR		83VB	12:55	13:02	WEST	13:02	8h32	6h39

Sign-on	4:30	3 / East / 86 / 20163921		Travel by	CAR
		4th St & La Canada Blvd.....	8:28		
Block	2029	Avondale Civic Center.....	8:42	Car Pull	
		99th Ave & Van Buren St.....	8:48	83rd Ave & Van Buren St.....	12:55
Pull Out		83rd Ave & Van Buren St.....	8:55	West Transit Facility.....	13:02
West Transit Facility.....	4:50	67th Ave & Van Buren St.....	9:00		
83rd Ave & Van Buren St.....	4:55	51st Ave & Van Buren St.....	9:09	67th Ave & Van Buren St.....	13:00
		35th Ave & Van Buren St.....	9:18	51st Ave & Van Buren St.....	13:09
3 / East / 181 / 20164294		19th Ave & Van Buren St.....	9:26	35th Ave & Van Buren St.....	13:18
83rd Ave & Van Buren St.....	4:55	Central Ave & Van Buren St.....	9:35	19th Ave & Van Buren St.....	13:26
67th Ave & Van Buren St.....	5:00	24th St & Van Buren St.....	9:46	Central Ave & Van Buren St....	13:35
51st Ave & Van Buren St.....	5:09	44th St & Van Buren St.....	9:55	24th St & Van Buren St.....	13:46
35th Ave & Van Buren St.....	5:18	Galvin Pkwy & Van Buren St.....	10:02	44th St & Van Buren St.....	13:55
19th Ave & Van Buren St.....	5:26	Phoenix Zoo.....	10:06	Galvin Pkwy & Van Buren St...	14:02
Central Ave & Van Buren St.....	5:35			Phoenix Zoo.....	14:06
24th St & Van Buren St.....	5:46	3 / West / 546 / 20163952			
44th St & Van Buren St.....	5:55	Phoenix Zoo.....	10:31	3 / West / 546 / 20163956	
Galvin Pkwy & Van Buren St...	6:02	Galvin Pkwy & Van Buren St.....	10:34	Phoenix Zoo.....	14:31
		44th St & Van Buren St.....	10:40	Galvin Pkwy & Van Buren St...	14:34
Deadhead		24th St & Van Buren St.....	10:48	44th St & Van Buren St.....	14:40
Galvin Pkwy & Van Buren St...	6:02	2nd Ave & Van Buren St.....	11:00	24th St & Van Buren St.....	14:48
Phoenix Zoo.....	6:07	19th Ave & Van Buren St.....	11:08	2nd Ave & Van Buren St.....	15:00
		35th Ave & Van Buren St.....	11:17	19th Ave & Van Buren St.....	15:08
3 / West / 546 / 20163948		51st Ave & Van Buren St.....	11:26	35th Ave & Van Buren St.....	15:17
Phoenix Zoo.....	6:31	67th Ave & Van Buren St.....	11:33	51st Ave & Van Buren St.....	15:26
Galvin Pkwy & Van Buren St.....	6:34	83rd Ave & Van Buren St.....	11:41	67th Ave & Van Buren St.....	15:33
44th St & Van Buren St.....	6:40	99th Ave & Van Buren St.....	11:48	83rd Ave & Van Buren St.....	15:41
24th St & Van Buren St.....	6:48	Avondale Civic Center.....	11:55	99th Ave & Van Buren St.....	15:48
2nd Ave & Van Buren St.....	7:00	4th St & La Canada Blvd.....	12:06	Avondale Civic Center.....	15:55
19th Ave & Van Buren St.....	7:08			4th St & La Canada Blvd.....	16:06
35th Ave & Van Buren St.....	7:17	3 / East / 86 / 20163925			
51st Ave & Van Buren St.....	7:26	4th St & La Canada Blvd.....	12:28		
67th Ave & Van Buren St.....	7:33	Avondale Civic Center.....	12:42		
83rd Ave & Van Buren St.....	7:41	99th Ave & Van Buren St.....	12:48		
99th Ave & Van Buren St.....	7:48	83rd Ave & Van Buren St.....	12:55		
Avondale Civic Center.....	7:55				
4th St & La Canada Blvd.....	8:06				

Phoenix West

Effective: 01/22/2024

2030
Saturday

Duty Type	Block	Report Time	Start Place	Start Time	End Time	End Place	Clear Time	Paid Time	Seat Time
ST	2030 CAR	4:31	WEST 44MC	4:36 13:41	13:41 14:11	44MC WEST	14:11	9h40	8h22

Sign-on	4:31	Deadhead		Deadhead					
		99th Ave & McDowell Rd.....	8:05	99th Ave & McDowell Rd.....	12:05				
Block	2030	99th Ave & McDowell Rd.....	8:12	99th Ave & McDowell Rd.....	12:12				

Pull Out		17 / East / 132 / 20163726		17 / East / 132 / 20163730					
West Transit Facility.....	4:51	99th Ave & McDowell Rd.....	8:24	99th Ave & McDowell Rd.....	12:24				
99th Ave & McDowell Rd.....	5:01	83rd Ave & McDowell Rd.....	8:32	83rd Ave & McDowell Rd.....	12:32				
		67th Ave & McDowell Rd.....	8:39	67th Ave & McDowell Rd.....	12:39				
		43rd Ave & McDowell Rd.....	8:52	43rd Ave & McDowell Rd.....	12:52				
17 / East / 255 / 20164303		19th Ave & McDowell Rd.....	9:07	19th Ave & McDowell Rd.....	13:07				
99th Ave & McDowell Rd.....	5:01	Central Ave & McDowell Rd.....	9:17	Central Ave & McDowell Rd.....	13:17				
83rd Ave & McDowell Rd.....	5:09	24th St & McDowell Rd.....	9:29	24th St & McDowell Rd.....	13:29				
67th Ave & McDowell Rd.....	5:16	44th St & McDowell Rd.....	9:41	44th St & McDowell Rd.....	13:41				
43rd Ave & McDowell Rd.....	5:27	52nd St & McDowell Rd.....	9:44						
19th Ave & McDowell Rd.....	5:39	Scottsdale Rd & McDowell Rd....	9:52	Travel by	CAR				
Central Ave & McDowell Rd.....	5:47	Pima Rd & McDowell Rd.....	10:00						
24th St & McDowell Rd.....	5:57			Car Pull					
44th St & McDowell Rd.....	6:07	Deadhead		44th St & McDowell Rd.....	13:41				
52nd St & McDowell Rd.....	6:10	Pima Rd & McDowell Rd.....	10:00	West Transit Facility.....	14:11				
		Pima Rd & McDowell Rd.....	10:07						
Deadhead				52nd St & McDowell Rd.....	13:44				
52nd St & McDowell Rd.....	6:10			Scottsdale Rd & McDowell Rd	13:52				
Pima Rd & McDowell Rd.....	6:25	17 / West / 253 / 20163770		Pima Rd & McDowell Rd.....	14:00				
		Pima Rd & McDowell Rd.....	10:32						
		Scottsdale Rd & McDowell Rd....	10:39	17 / West / 253 / 20163774					
17 / West / 253 / 20163766		52nd St & McDowell Rd.....	10:46	Pima Rd & McDowell Rd.....	14:32				
Pima Rd & McDowell Rd.....	6:34	44th St & McDowell Rd.....	10:49	Scottsdale Rd & McDowell Rd	14:39				
Scottsdale Rd & McDowell Rd....	6:41	24th St & McDowell Rd.....	11:01	52nd St & McDowell Rd.....	14:46				
52nd St & McDowell Rd.....	6:48	Central Ave & McDowell Rd.....	11:13	44th St & McDowell Rd.....	14:49				
44th St & McDowell Rd.....	6:51	19th Ave & McDowell Rd.....	11:21	24th St & McDowell Rd.....	15:01				
24th St & McDowell Rd.....	7:01	43rd Ave & McDowell Rd.....	11:36	Central Ave & McDowell Rd....	15:13				
Central Ave & McDowell Rd.....	7:13	67th Ave & McDowell Rd.....	11:50	19th Ave & McDowell Rd.....	15:21				
19th Ave & McDowell Rd.....	7:21	83rd Ave & McDowell Rd.....	11:57	43rd Ave & McDowell Rd.....	15:36				
43rd Ave & McDowell Rd.....	7:36	99th Ave & McDowell Rd.....	12:05	67th Ave & McDowell Rd.....	15:50				
67th Ave & McDowell Rd.....	7:50			83rd Ave & McDowell Rd.....	15:57				
83rd Ave & McDowell Rd.....	7:57			99th Ave & McDowell Rd.....	8:05				
99th Ave & McDowell Rd.....	8:05								

Phoenix West

Effective: 01/22/2024

2031
Saturday

Duty Type	Block	Report Time	Start Place	Start Time	End Time	End Place	Clear Time	Paid Time	Seat Time
ST	2031	4:36	WEST	4:41	13:59	75BU	14:09	9h33	6h33
	CAR		75BU	13:59	14:09	WEST			

Sign-on	4:36	13 / East / 36 / 20164020				Deadhead			
		75th Ave & Buckeye Rd.....	8:30			75th Ave & Buckeye Rd.....	11:54		
Block	2031	59th Ave & Buckeye Rd.....	8:34			75th Ave & Buckeye Rd.....	11:58		
		43rd Ave & Buckeye Rd.....	8:39						
Pull Out		19th Ave & Buckeye Rd.....	8:49			13 / East / 36 / 20164046			
West Transit Facility.....	4:56	Central Ave & Buckeye Rd.....	8:55			75th Ave & Buckeye Rd.....	12:30		
Sky Harbor West.....	5:15	16th St & Buckeye Rd.....	9:00			59th Ave & Buckeye Rd.....	12:34		
		Sky Harbor West.....	9:07			43rd Ave & Buckeye Rd.....	12:39		
		13 / West / 120 / 20164298				19th Ave & Buckeye Rd.....	12:49		
Sky Harbor West.....	5:15	13 / West / 120 / 20163554				Central Ave & Buckeye Rd.....	12:55		
16th St & Buckeye Rd.....	5:21	Sky Harbor West.....	9:15			16th St & Buckeye Rd.....	13:00		
Central Ave & Buckeye Rd.....	5:26	16th St & Buckeye Rd.....	9:21			Sky Harbor West.....	13:07		
19th Ave & Buckeye Rd.....	5:33	Central Ave & Buckeye Rd.....	9:26						
43rd Ave & Buckeye Rd.....	5:43	19th Ave & Buckeye Rd.....	9:33			13 / West / 120 / 20163560			
59th Ave & Buckeye Rd.....	5:48	43rd Ave & Buckeye Rd.....	9:43			Sky Harbor West.....	13:15		
75th Ave & Buckeye Rd.....	5:54	59th Ave & Buckeye Rd.....	9:48			16th St & Buckeye Rd.....	13:22		
		75th Ave & Buckeye Rd.....	9:54			Central Ave & Buckeye Rd.....	13:27		
Deadhead						19th Ave & Buckeye Rd.....	13:33		
75th Ave & Buckeye Rd.....	5:54	Deadhead				43rd Ave & Buckeye Rd.....	13:43		
75th Ave & Buckeye Rd.....	5:58	75th Ave & Buckeye Rd.....	9:54			59th Ave & Buckeye Rd.....	13:49		
		75th Ave & Buckeye Rd.....	9:58			75th Ave & Buckeye Rd.....	13:55		
		13 / East / 36 / 20164061							
75th Ave & Buckeye Rd.....	6:30	13 / East / 36 / 20164048				Deadhead			
59th Ave & Buckeye Rd.....	6:34	75th Ave & Buckeye Rd.....	10:30			75th Ave & Buckeye Rd.....	13:55		
43rd Ave & Buckeye Rd.....	6:39	59th Ave & Buckeye Rd.....	10:34			75th Ave & Buckeye Rd.....	13:59		
19th Ave & Buckeye Rd.....	6:49	43rd Ave & Buckeye Rd.....	10:39						
Central Ave & Buckeye Rd.....	6:55	19th Ave & Buckeye Rd.....	10:49			Travel by	CAR		
16th St & Buckeye Rd.....	7:00	Central Ave & Buckeye Rd.....	10:55						
Sky Harbor West.....	7:07	16th St & Buckeye Rd.....	11:00			Car Pull			
		Sky Harbor West.....	11:07			75th Ave & Buckeye Rd.....	13:59		
		13 / West / 120 / 20163552				West Transit Facility.....	14:09		
Sky Harbor West.....	7:15	13 / West / 120 / 20163556							
16th St & Buckeye Rd.....	7:21	Sky Harbor West.....	11:15			13 / East / 36 / 20164031			
Central Ave & Buckeye Rd.....	7:26	16th St & Buckeye Rd.....	11:21			75th Ave & Buckeye Rd.....	14:30		
19th Ave & Buckeye Rd.....	7:33	Central Ave & Buckeye Rd.....	11:26			59th Ave & Buckeye Rd.....	14:34		
43rd Ave & Buckeye Rd.....	7:43	19th Ave & Buckeye Rd.....	11:32			43rd Ave & Buckeye Rd.....	14:39		
59th Ave & Buckeye Rd.....	7:48	43rd Ave & Buckeye Rd.....	11:42			19th Ave & Buckeye Rd.....	14:49		
75th Ave & Buckeye Rd.....	7:54	59th Ave & Buckeye Rd.....	11:48			Central Ave & Buckeye Rd.....	14:55		
		75th Ave & Buckeye Rd.....	11:54			16th St & Buckeye Rd.....	15:00		
Deadhead						Sky Harbor West.....	15:07		
75th Ave & Buckeye Rd.....	7:54								
75th Ave & Buckeye Rd.....	7:58								

Phoenix West

Effective: 01/22/2024

2032

Saturday

Duty Type	Block	Report Time	Start Place	Start Time	End Time	End Place	Clear Time	Paid Time	Seat Time
ST	2032	4:39	WEST	4:44	14:32	67VB			
	CAR		67VB	14:32	14:44	WEST	14:44	10h05	7h14

Sign-on	4:39	83 / South / 155 / 20163816	75 / South / 149 / 20163786
		83rd Ave & Camelback Rd.....	8:05 75th Ave & Camelback Rd..... 11:30
Block	2032	Desert Sky TC.....	8:11 Desert Sky TC..... 11:39
		83rd Ave & Van Buren St.....	8:20 75th Ave & Van Buren St..... 11:51
Pull Out		-----	75th Ave & Lower Buckeye Rd 11:55
West Transit Facility.....	4:59	Deadhead	-----
67th Ave & Camelback Rd.....	5:15	83rd Ave & Van Buren St.....	8:20 Deadhead
		83rd Ave & Van Buren St.....	8:24 75th Ave & Lower Buckeye Rd 12:09
		-----	Sierra Linda HS-North..... 12:14
67 / South / 254 / 20164325		83 / North / 183 / 20164195	
67th Ave & Camelback Rd.....	5:15	83rd Ave & Van Buren St.....	8:34 67 / North / 108 / 20163516
67th Ave & Thomas Rd.....	5:22	Desert Sky TC.....	8:42 Sierra Linda HS-North..... 12:14
67th Ave & Van Buren St.....	5:30	83rd Ave & Camelback Rd.....	8:52 67th Ave & Van Buren St..... 12:23
Sierra Linda HS-South.....	5:38	83rd Ave & Glendale Ave.....	8:57 67th Ave & Thomas Rd..... 12:32
		83rd Ave & Peoria Ave.....	9:08 67th Ave & Camelback Rd..... 12:40
Deadhead		83rd Ave & Thunderbird Rd.....	9:14 67th Ave & Glendale Ave..... 12:50
Sierra Linda HS-South.....	5:38	Arrowhead Mall North.....	9:24 67th Ave & Olive Ave..... 12:56
75th Ave & Lower Buckeye Rd	5:43	-----	67th Ave & Thunderbird Rd..... 13:06
		Deadhead	67th Ave & Union Hills Dr..... 13:16
75 / North / 147 / 20164163		Arrowhead Mall North.....	9:24
75th Ave & Lower Buckeye Rd	5:55	Arrowhead Mall Layover.....	9:26
75th Ave & Van Buren St.....	6:00	-----	Deadhead
Desert Sky TC.....	6:08	Arrowhead Mall Layover.....	9:57 67th Ave & Union Hills Dr..... 13:16
75th Ave & Camelback Rd.....	6:17	Arrowhead Mall North.....	9:59 67th Ave & Union Hills Dr..... 13:21
		-----	-----
Deadhead		Deadhead	67 / South / 254 / 20163531
75th Ave & Camelback Rd.....	6:17	Arrowhead Mall Layover.....	9:57 67th Ave & Union Hills Dr..... 13:39
67th Ave & Camelback Rd.....	6:20	-----	67th Ave & Thunderbird Rd..... 13:50
		83 / South / 155 / 20164175	67th Ave & Olive Ave..... 13:59
		Arrowhead Mall North.....	9:59 67th Ave & Camelback Rd..... 14:06
67 / South / 254 / 20164141		83rd Ave & Thunderbird Rd.....	10:09 67th Ave & Thomas Rd..... 14:22
67th Ave & Camelback Rd.....	6:45	83rd Ave & Peoria Ave.....	10:15 67th Ave & Van Buren St..... 14:32
67th Ave & Thomas Rd.....	6:52	83rd Ave & Glendale Ave.....	10:27
67th Ave & Van Buren St.....	7:00	83rd Ave & Camelback Rd.....	10:32
Sierra Linda HS-South.....	7:08	Desert Sky TC.....	10:41
		83rd Ave & Van Buren St.....	10:50
		-----	Travel by CAR
Deadhead		-----	-----
Sierra Linda HS-South.....	7:08	Deadhead	Car Pull
75th Ave & Lower Buckeye Rd	7:13	83rd Ave & Van Buren St.....	10:50 67th Ave & Van Buren St..... 14:32
		83rd Ave & Van Buren St.....	10:54 West Transit Facility..... 14:44
		-----	-----
75 / North / 147 / 20163799		83 / North / 153 / 20163835	<i>Sierra Linda HS-South..... 14:41</i>
75th Ave & Lower Buckeye Rd	7:25	83rd Ave & Van Buren St.....	11:03
75th Ave & Van Buren St.....	7:30	Desert Sky TC.....	11:12
Desert Sky TC.....	7:38	83rd Ave & Camelback Rd.....	11:22
75th Ave & Camelback Rd.....	7:47	-----	-----
		Deadhead	75 / North / 147 / 20164168
Deadhead		83rd Ave & Camelback Rd.....	11:22 75th Ave & Lower Buckeye Rd 14:55
75th Ave & Camelback Rd.....	7:47	75th Ave & Camelback Rd.....	11:25 75th Ave & Van Buren St..... 15:00
83rd Ave & Camelback Rd.....	7:50	-----	Desert Sky TC..... 15:14
		-----	75th Ave & Camelback Rd..... 15:25

Phoenix West

Effective: 01/22/2024

2033

Saturday

Duty Type	Block	Report Time	Start Place	Start Time	End Time	End Place	Clear Time	Paid Time	Seat Time
ST	2033 CAR	4:39	WEST 83VB	4:44 14:41	14:41 14:48	83VB WEST	14:48	10h09	8h15

Sign-on	4:39	3 / West / 546 / 20163951				3 / West / 546 / 20163955			
		Phoenix Zoo.....	9:31	Phoenix Zoo.....	13:31				
Block	2033	Galvin Pkwy & Van Buren St.....	9:34	Galvin Pkwy & Van Buren St.....	13:34				
		44th St & Van Buren St.....	9:40	44th St & Van Buren St.....	13:40				
Pull Out		24th St & Van Buren St.....	9:48	24th St & Van Buren St.....	13:48				
West Transit Facility.....	4:59	2nd Ave & Van Buren St.....	10:00	2nd Ave & Van Buren St.....	14:00				
Galvin Pkwy & Van Buren St...	5:34	19th Ave & Van Buren St.....	10:08	19th Ave & Van Buren St.....	14:08				
		35th Ave & Van Buren St.....	10:17	35th Ave & Van Buren St.....	14:17				
		51st Ave & Van Buren St.....	10:26	51st Ave & Van Buren St.....	14:26				
3 / West / 546 / 20163963		67th Ave & Van Buren St.....	10:33	67th Ave & Van Buren St.....	14:33				
Galvin Pkwy & Van Buren St...	5:34	83rd Ave & Van Buren St.....	10:41	83rd Ave & Van Buren St.....	14:41				
44th St & Van Buren St.....	5:40	99th Ave & Van Buren St.....	10:48						
24th St & Van Buren St.....	5:48	Avondale Civic Center.....	10:55						
2nd Ave & Van Buren St.....	6:00	4th St & La Canada Blvd.....	11:06						
19th Ave & Van Buren St.....	6:08			Travel by		CAR			
35th Ave & Van Buren St.....	6:17								
51st Ave & Van Buren St.....	6:26	3 / East / 86 / 20163924		Car Pull					
67th Ave & Van Buren St.....	6:33	4th St & La Canada Blvd.....	11:28	83rd Ave & Van Buren St.....	14:41				
83rd Ave & Van Buren St.....	6:41	Avondale Civic Center.....	11:42	West Transit Facility.....	14:48				
99th Ave & Van Buren St.....	6:48	99th Ave & Van Buren St.....	11:48						
Avondale Civic Center.....	6:55	83rd Ave & Van Buren St.....	11:55	99th Ave & Van Buren St.....	14:48				
4th St & La Canada Blvd.....	7:06	67th Ave & Van Buren St.....	12:00	Avondale Civic Center.....	14:55				
		51st Ave & Van Buren St.....	12:09	4th St & La Canada Blvd.....	15:06				
		35th Ave & Van Buren St.....	12:18						
3 / East / 86 / 20163920		19th Ave & Van Buren St.....	12:26	3 / East / 86 / 20163929					
4th St & La Canada Blvd.....	7:28	Central Ave & Van Buren St.....	12:35	4th St & La Canada Blvd.....	15:28				
Avondale Civic Center.....	7:42	24th St & Van Buren St.....	12:46	Avondale Civic Center.....	15:42				
99th Ave & Van Buren St.....	7:48	44th St & Van Buren St.....	12:55	99th Ave & Van Buren St.....	15:48				
83rd Ave & Van Buren St.....	7:55	Galvin Pkwy & Van Buren St.....	13:02	83rd Ave & Van Buren St.....	15:55				
67th Ave & Van Buren St.....	8:00	Phoenix Zoo.....	13:06	67th Ave & Van Buren St.....	16:00				
51st Ave & Van Buren St.....	8:09			51st Ave & Van Buren St.....	16:09				
35th Ave & Van Buren St.....	8:18			35th Ave & Van Buren St.....	16:18				
19th Ave & Van Buren St.....	8:26			19th Ave & Van Buren St.....	16:26				
Central Ave & Van Buren St.....	8:35			Central Ave & Van Buren St....	16:35				
24th St & Van Buren St.....	8:46			24th St & Van Buren St.....	16:46				
44th St & Van Buren St.....	8:55			44th St & Van Buren St.....	16:55				
Galvin Pkwy & Van Buren St.....	9:02			Galvin Pkwy & Van Buren St...	17:02				
Phoenix Zoo.....	9:06			Phoenix Zoo.....	17:06				

Phoenix West

Effective: 01/22/2024

2034

Saturday

Duty Type	Block	Report Time	Start Place	Start Time	End Time	End Place	Clear Time	Paid Time	Seat Time
ST	2034	4:40	WEST	4:45	14:56	75LB			
	CAR		75LB	14:56	15:06	WEST	15:06	10h26	7h29

Sign-on	4:40	Deadhead			Deadhead				
		Sierra Linda HS-South.....		8:38	Arrowhead Mall North.....			12:24	
Block	2034	75th Ave & Lower Buckeye Rd		8:43	Arrowhead Mall Layover.....			12:26	
Pull Out		75 / North / 147 / 20164199			Deadhead				
West Transit Facility.....	5:00	75th Ave & Lower Buckeye Rd		8:55	Arrowhead Mall Layover.....			12:55	
83rd Ave & Van Buren St.....	5:05	75th Ave & Van Buren St.....		9:00	Arrowhead Mall North.....			12:57	
		Desert Sky TC.....		9:10					
83 / North / 153 / 20164334		75th Ave & Camelback Rd.....		9:19	83 / South / 155 / 20164188				
83rd Ave & Van Buren St.....	5:05				Arrowhead Mall North.....			12:57	
Desert Sky TC.....	5:12	Deadhead			83rd Ave & Thunderbird Rd.....			13:08	
83rd Ave & Camelback Rd.....	5:21	75th Ave & Camelback Rd.....		9:19	83rd Ave & Peoria Ave.....			13:14	
		67th Ave & Camelback Rd.....		9:22	83rd Ave & Glendale Ave.....			13:27	
Deadhead					83rd Ave & Camelback Rd.....			13:32	
83rd Ave & Camelback Rd.....	5:21	67 / South / 254 / 20164154			Desert Sky TC.....			13:41	
75th Ave & Camelback Rd.....	5:24	67th Ave & Camelback Rd.....		9:45	83rd Ave & Van Buren St.....			13:51	
		67th Ave & Thomas Rd.....		9:52					
75 / South / 149 / 20164329		67th Ave & Van Buren St.....		10:00	Deadhead				
75th Ave & Camelback Rd.....	5:30	Sierra Linda HS-South.....		10:08	83rd Ave & Van Buren St.....			13:51	
Desert Sky TC.....	5:38				83rd Ave & Van Buren St.....			13:55	
75th Ave & Van Buren St.....	5:47	Deadhead							
75th Ave & Lower Buckeye Rd	5:51	Sierra Linda HS-South.....		10:08	83 / North / 153 / 20163838				
		75th Ave & Lower Buckeye Rd		10:13	83rd Ave & Van Buren St.....			14:03	
Deadhead					Desert Sky TC.....			14:12	
75th Ave & Lower Buckeye Rd	6:13	75 / North / 147 / 20163802			83rd Ave & Camelback Rd.....			14:22	
Sierra Linda HS-North.....	6:18	75th Ave & Lower Buckeye Rd		10:25	75th Ave & Camelback Rd.....			14:22	
		75th Ave & Van Buren St.....		10:30					
67 / North / 108 / 20163513		Desert Sky TC.....		10:41	Deadhead				
Sierra Linda HS-North.....	6:18	75th Ave & Camelback Rd.....		10:50	83rd Ave & Camelback Rd.....			14:22	
67th Ave & Van Buren St.....	6:25				75th Ave & Camelback Rd.....			14:25	
67th Ave & Thomas Rd.....	6:33	Deadhead							
67th Ave & Camelback Rd.....	6:40	75th Ave & Camelback Rd.....		10:50	75 / South / 149 / 20163792				
67th Ave & Glendale Ave.....	6:49	83rd Ave & Camelback Rd.....		10:53	75th Ave & Camelback Rd.....			14:30	
67th Ave & Olive Ave.....	6:55				Desert Sky TC.....			14:39	
67th Ave & Thunderbird Rd.....	7:04	83 / South / 155 / 20163820			75th Ave & Van Buren St.....			14:52	
67th Ave & Union Hills Dr.....	7:14	83rd Ave & Camelback Rd.....		11:02	75th Ave & Lower Buckeye Rd			14:56	
		Desert Sky TC.....		11:11					
Deadhead		83rd Ave & Van Buren St.....		11:20	Travel by				CAR
67th Ave & Union Hills Dr.....	7:14								
67th Ave & Union Hills Dr.....	7:19	Deadhead			Car Pull				
		83rd Ave & Van Buren St.....		11:20	75th Ave & Lower Buckeye Rd			14:56	
67 / South / 254 / 20163525		83rd Ave & Van Buren St.....		11:24	West Transit Facility.....			15:06	
67th Ave & Union Hills Dr.....	7:41								
67th Ave & Thunderbird Rd.....	7:51	83 / North / 183 / 20164209							
67th Ave & Olive Ave.....	8:00	83rd Ave & Van Buren St.....		11:33	67 / North / 108 / 20163519				
67th Ave & Glendale Ave.....	8:07	Desert Sky TC.....		11:42	Sierra Linda HS-North.....			15:15	
67th Ave & Camelback Rd.....	8:15	83rd Ave & Camelback Rd.....		11:52	67th Ave & Van Buren St.....			15:24	
67th Ave & Thomas Rd.....	8:22	83rd Ave & Glendale Ave.....		11:57	67th Ave & Thomas Rd.....			15:33	
67th Ave & Van Buren St.....	8:30	83rd Ave & Peoria Ave.....		12:08	67th Ave & Camelback Rd.....			15:40	
Sierra Linda HS-South.....	8:38	83rd Ave & Thunderbird Rd.....		12:14	67th Ave & Glendale Ave.....			15:50	
		Arrowhead Mall North.....		12:24	67th Ave & Olive Ave.....			15:56	
					67th Ave & Thunderbird Rd.....			16:06	
					67th Ave & Union Hills Dr.....			16:16	

Phoenix West

Effective: 01/22/2024

2035
Saturday

Duty Type	Block	Report Time	Start Place	Start Time	End Time	End Place	Clear Time	Paid Time	Seat Time
ST	2036	4:40	WEST	4:45	11:41	43LB			
	CAR		43LB	11:41	12:02	WEST	12:02	7h22	5h56

Sign-on	4:40	Deadhead			43 / South / 207 / 20164000
		43rd Ave & Union Hills Dr.....	7:38	43rd Ave & Union Hills Dr.....	10:33
Block	2036	43rd Ave & Union Hills Dr.....	7:45	43rd Ave & Thunderbird Rd.....	10:40
				43rd Ave & Dunlap Ave.....	10:50
Pull Out		43 / South / 207 / 20163585		43rd Ave & Glendale Ave.....	10:56
West Transit Facility.....	5:00	43rd Ave & Union Hills Dr.....	8:05	43rd Ave & Camelback Rd.....	11:04
43rd Ave & Union Hills Dr.....	5:35	43rd Ave & Thunderbird Rd.....	8:12	43rd Ave & Thomas Rd.....	11:14
		43rd Ave & Dunlap Ave.....	8:21	43rd Ave & Van Buren St.....	11:22
43 / South / 207 / 20164062		43rd Ave & Glendale Ave.....	8:27	43rd Ave & Lower Buckeye Rd	11:30
43rd Ave & Union Hills Dr.....	5:35	43rd Ave & Camelback Rd.....	8:34		
43rd Ave & Thunderbird Rd.....	5:42	43rd Ave & Thomas Rd.....	8:44	Deadhead	
43rd Ave & Dunlap Ave.....	5:51	43rd Ave & Van Buren St.....	8:52	43rd Ave & Lower Buckeye Rd	11:30
43rd Ave & Glendale Ave.....	5:57	43rd Ave & Lower Buckeye Rd	9:00	43rd Ave & Lower Buckeye Rd	11:36
43rd Ave & Camelback Rd.....	6:04				
43rd Ave & Thomas Rd.....	6:12	Deadhead		Travel by	CAR
43rd Ave & Van Buren St.....	6:20	43rd Ave & Lower Buckeye Rd	9:00		
43rd Ave & Lower Buckeye Rd	6:27	43rd Ave & Lower Buckeye Rd	9:06	Car Pull	
				43rd Ave & Lower Buckeye Rd	11:41
Deadhead		43 / North / 182 / 20163988		West Transit Facility.....	12:02
43rd Ave & Lower Buckeye Rd	6:27	43rd Ave & Lower Buckeye Rd	9:16		
43rd Ave & Lower Buckeye Rd	6:33	43rd Ave & Van Buren St.....	9:22	43 / North / 182 / 20163572	
		43rd Ave & Thomas Rd.....	9:32	43rd Ave & Lower Buckeye Rd	11:46
43 / North / 182 / 20163565		43rd Ave & Camelback Rd.....	9:40	43rd Ave & Van Buren St.....	11:52
43rd Ave & Lower Buckeye Rd	6:49	43rd Ave & Glendale Ave.....	9:47	43rd Ave & Thomas Rd.....	12:02
43rd Ave & Van Buren St.....	6:55	43rd Ave & Dunlap Ave.....	9:54	43rd Ave & Camelback Rd.....	12:10
43rd Ave & Thomas Rd.....	7:03	43rd Ave & Thunderbird Rd.....	10:02	43rd Ave & Glendale Ave.....	12:17
43rd Ave & Camelback Rd.....	7:10	43rd Ave & Union Hills Dr.....	10:11	43rd Ave & Dunlap Ave.....	12:24
43rd Ave & Glendale Ave.....	7:16			43rd Ave & Thunderbird Rd.....	12:32
43rd Ave & Dunlap Ave.....	7:22	Deadhead		43rd Ave & Union Hills Dr.....	12:41
43rd Ave & Thunderbird Rd.....	7:29	43rd Ave & Union Hills Dr.....	10:11		
43rd Ave & Union Hills Dr.....	7:38	43rd Ave & Union Hills Dr.....	10:18		

Phoenix West

Effective: 01/22/2024

2036

Saturday

Duty Type	Block	Report Time	Start Place	Start Time	End Time	End Place	Clear Time	Paid Time	Seat Time
ST	2035 CAR	4:40	WEST 94TH	4:45 12:00	12:00 12:16	94TH WEST	12:16	7h36	6h15

Sign-on	4:40	Deadhead				Deadhead			
		93rd Ave & Thomas Rd.....		8:22		93rd Ave & Thomas Rd.....		11:59	
Block	2035	94th Av Layover.....		8:23		94th Av Layover.....		12:00	
Pull Out		Deadhead				Travel by		CAR	
West Transit Facility.....	5:00	94th Av Layover.....		8:36		Car Pull			
93rd Ave & Thomas Rd.....	5:12	93rd Ave & Thomas Rd.....		8:37		94th Av Layover.....		12:00	
						West Transit Facility.....		12:16	
29 / East / 257 / 20164307		29 / East / 31 / 20163865				29 / East / 31 / 20163869			
93rd Ave & Thomas Rd.....	5:12	93rd Ave & Thomas Rd.....		8:37		93rd Ave & Thomas Rd.....		12:30	
Thomas Rd at Desert Sky TC....	5:17	Thomas Rd at Desert Sky TC....		8:43		Thomas Rd at Desert Sky TC..		12:36	
67th Ave & Thomas Rd.....	5:22	67th Ave & Thomas Rd.....		8:50		67th Ave & Thomas Rd.....		12:43	
51st Ave & Thomas Rd.....	5:28	51st Ave & Thomas Rd.....		8:57		51st Ave & Thomas Rd.....		12:53	
35th Ave & Thomas Rd.....	5:35	35th Ave & Thomas Rd.....		9:04		35th Ave & Thomas Rd.....		13:02	
19th Ave & Thomas Rd.....	5:43	19th Ave & Thomas Rd.....		9:14		19th Ave & Thomas Rd.....		13:12	
Central Ave & Thomas Rd.....	5:50	Central Ave & Thomas Rd.....		9:21		Central Ave & Thomas Rd.....		13:20	
24th St & Thomas Rd.....	6:01	24th St & Thomas Rd.....		9:32		24th St & Thomas Rd.....		13:33	
44th St & Thomas Rd.....	6:11	44th St & Thomas Rd.....		9:45		44th St & Thomas Rd.....		13:48	
56th St & Thomas Rd.....	6:17	56th St & Thomas Rd.....		9:52		56th St & Thomas Rd.....		13:55	
Deadhead		Scottsdale Rd & Thomas Rd.....		9:58		Scottsdale Rd & Thomas Rd...		14:01	
56th St & Thomas Rd.....	6:17	Pima Park.....		10:05		Pima Park.....		14:08	
Pima Park.....	6:32								
29 / West / 199 / 20163877		29 / West / 199 / 20163884							
Pima Park.....	6:59	Pima Park.....		10:26					
Scottsdale Rd & Thomas Rd.....	7:04	Scottsdale Rd & Thomas Rd.....		10:31					
56th St & Thomas Rd.....	7:10	56th St & Thomas Rd.....		10:37					
44th St & Thomas Rd.....	7:16	44th St & Thomas Rd.....		10:45					
24th St & Thomas Rd.....	7:28	24th St & Thomas Rd.....		10:56					
Central Ave & Thomas Rd.....	7:40	Central Ave & Thomas Rd.....		11:10					
19th Ave & Thomas Rd.....	7:46	19th Ave & Thomas Rd.....		11:17					
35th Ave & Thomas Rd.....	7:54	35th Ave & Thomas Rd.....		11:27					
51st Ave & Thomas Rd.....	8:00	51st Ave & Thomas Rd.....		11:34					
67th Ave & Thomas Rd.....	8:07	67th Ave & Thomas Rd.....		11:41					
Desert Sky TC.....	8:14	Desert Sky TC.....		11:50					
Desert Sky TC.....	8:17	Desert Sky TC.....		11:53					
93rd Ave & Thomas Rd.....	8:22	93rd Ave & Thomas Rd.....		11:59					

Phoenix West

Effective: 01/22/2024

2037
Saturday

Duty Type	Block	Report Time	Start Place	Start Time	End Time	End Place	Clear Time	Paid Time	Seat Time
ST	2037 CAR	4:43	WEST 107I-E	4:48 13:55	13:55 14:12	107I-E WEST	14:12	9h29	7h19

Sign-on	4:43	Deadhead				41 / West / 724 / 20163715			
		107th Ave & Indian School Rd.		9:06		Granite Reef Rd & Indian Sch			11:56
Block	2037	107th Ave & Indian School Rd.		9:12		Scottsdale Rd & Indian School			12:01
						56th St & Indian School Rd.....			12:08
Pull Out		41 / East / 172 / 20163667				44th St & Indian School Rd.....			12:12
West Transit Facility.....	5:03	107th Ave & Indian School Rd.		9:42		32nd St & Indian School Rd.....			12:18
107th Ave & Indian School Rd.	5:18	83rd Ave & Indian School Rd.....		9:50		24th St & Indian School Rd.....			12:23
		59th Ave & Indian School Rd.....		10:01		Central Ave & Indian School Rd.			12:35
		43rd Ave & Indian School Rd.....		10:10		Central Ave & Indian School Rd.			12:39
41 / East / 172 / 20163689		19th Ave & Indian School Rd.....		10:24		19th Ave & Indian School Rd.....			12:47
107th Ave & Indian School Rd.	5:18	Central Ave & Indian School Rd.		10:33		43rd Ave & Indian School Rd.....			13:03
83rd Ave & Indian School Rd.....	5:26	Central Ave & Indian School Rd.		10:37		59th Ave & Indian School Rd.....			13:12
59th Ave & Indian School Rd.....	5:35	24th St & Indian School Rd.....		10:51		83rd Ave & Indian School Rd.....			13:24
43rd Ave & Indian School Rd.....	5:44	32nd St & Indian School Rd.....		10:55		107th Ave & Indian School Rd.			13:36
19th Ave & Indian School Rd.....	5:56	44th St & Indian School Rd.....		11:02					
Central Ave & Indian School Rd.	6:03	56th St & Indian School Rd.....		11:05		Deadhead			
Central Ave & Indian School Rd.	6:07	Scottsdale Rd & Indian School		11:12		107th Ave & Indian School Rd.			13:36
24th St & Indian School Rd.....	6:17	Granite Reef Rd & Indian Sch		11:20		107th Ave & Indian School Rd.			13:42
32nd St & Indian School Rd.....	6:20								
44th St & Indian School Rd.....	6:27	Deadhead				Travel by			CAR
56th St & Indian School Rd.....	6:30	Granite Reef Rd & Indian Sch		11:20		Car Pull			
Scottsdale Rd & Indian School	6:37	Pima Rd & Chaparral Rd.....		11:24		107th Ave & Indian School Rd.			13:55
Granite Reef Rd & Indian Sch	6:44					West Transit Facility.....			14:12
		Deadhead							
Deadhead		Deadhead				41 / East / 172 / 20163683			
Granite Reef Rd & Indian Sch	6:44	Pima Rd & Chaparral Rd.....		11:52		<i>107th Ave & Indian School Rd.</i>			<i>14:10</i>
Pima Rd & Chaparral Rd.....	6:48	Granite Reef Rd & Indian Sch		11:56		<i>83rd Ave & Indian School Rd..</i>			<i>14:18</i>
						<i>59th Ave & Indian School Rd...</i>			<i>14:29</i>
Deadhead						<i>43rd Ave & Indian School Rd..</i>			<i>14:38</i>
Pima Rd & Chaparral Rd.....	7:27					<i>19th Ave & Indian School Rd...</i>			<i>14:54</i>
Granite Reef Rd & Indian Sch	7:31					<i>Central Ave & Indian School R</i>			<i>15:03</i>
						<i>Central Ave & Indian School R</i>			<i>15:07</i>
41 / West / 724 / 20163694						<i>24th St & Indian School Rd.....</i>			<i>15:21</i>
Granite Reef Rd & Indian Sch	7:31					<i>32nd St & Indian School Rd....</i>			<i>15:25</i>
Scottsdale Rd & Indian School	7:36					<i>44th St & Indian School Rd.....</i>			<i>15:32</i>
56th St & Indian School Rd.....	7:43					<i>56th St & Indian School Rd.....</i>			<i>15:35</i>
44th St & Indian School Rd.....	7:46					<i>Scottsdale Rd & Indian Schoo</i>			<i>15:42</i>
32nd St & Indian School Rd.....	7:50					<i>Granite Reef Rd & Indian Sch</i>			<i>15:50</i>
24th St & Indian School Rd.....	7:54								
Central Ave & Indian School Rd.	8:05								
Central Ave & Indian School Rd.	8:09								
19th Ave & Indian School Rd.....	8:17								
43rd Ave & Indian School Rd.....	8:33								
59th Ave & Indian School Rd.....	8:42								
83rd Ave & Indian School Rd.....	8:54								
107th Ave & Indian School Rd.	9:06								

Phoenix West

Effective: 01/22/2024

2038
Saturday

Duty Type	Block	Report Time	Start Place	Start Time	End Time	End Place	Clear Time	Paid Time	Seat Time
ST	2038	4:43	WEST	4:48	13:55	83VB	14:02	9h19	7h25
	CAR		83VB	13:55	14:02	WEST			

Sign-on	4:43	3 / East / 86 / 20163922	Travel by	CAR
		4th St & La Canada Blvd.....		9:28
Block	2038	Avondale Civic Center.....	Car Pull	
		99th Ave & Van Buren St.....	83rd Ave & Van Buren St.....	13:55
Pull Out		83rd Ave & Van Buren St.....	West Transit Facility.....	14:02
West Transit Facility.....	5:03	67th Ave & Van Buren St.....		
4th St & La Canada Blvd.....	5:28	51st Ave & Van Buren St.....	<i>67th Ave & Van Buren St.....</i>	<i>14:00</i>
		35th Ave & Van Buren St.....	<i>51st Ave & Van Buren St.....</i>	<i>14:09</i>
3 / East / 86 / 20163918		19th Ave & Van Buren St.....	<i>35th Ave & Van Buren St.....</i>	<i>14:18</i>
4th St & La Canada Blvd.....	5:28	Central Ave & Van Buren St.....	<i>19th Ave & Van Buren St.....</i>	<i>14:26</i>
Avondale Civic Center.....	5:42	24th St & Van Buren St.....	<i>Central Ave & Van Buren St....</i>	<i>14:35</i>
99th Ave & Van Buren St.....	5:48	44th St & Van Buren St.....	<i>24th St & Van Buren St.....</i>	<i>14:46</i>
83rd Ave & Van Buren St.....	5:55	Galvin Pkwy & Van Buren St.....	<i>44th St & Van Buren St.....</i>	<i>14:55</i>
67th Ave & Van Buren St.....	6:00	Phoenix Zoo.....	<i>Galvin Pkwy & Van Buren St...</i>	<i>15:02</i>
51st Ave & Van Buren St.....	6:09		<i>Phoenix Zoo.....</i>	<i>15:06</i>
35th Ave & Van Buren St.....	6:18	3 / West / 546 / 20163953		
19th Ave & Van Buren St.....	6:26	Phoenix Zoo.....	3 / West / 546 / 20163957	
Central Ave & Van Buren St.....	6:35	Galvin Pkwy & Van Buren St.....	<i>Phoenix Zoo.....</i>	<i>15:31</i>
24th St & Van Buren St.....	6:46	44th St & Van Buren St.....	<i>Galvin Pkwy & Van Buren St...</i>	<i>15:34</i>
44th St & Van Buren St.....	6:55	24th St & Van Buren St.....	<i>44th St & Van Buren St.....</i>	<i>15:40</i>
Galvin Pkwy & Van Buren St.....	7:02	2nd Ave & Van Buren St.....	<i>24th St & Van Buren St.....</i>	<i>15:48</i>
Phoenix Zoo.....	7:06	19th Ave & Van Buren St.....	<i>2nd Ave & Van Buren St.....</i>	<i>16:00</i>
		35th Ave & Van Buren St.....	<i>19th Ave & Van Buren St.....</i>	<i>16:08</i>
3 / West / 546 / 20163949		51st Ave & Van Buren St.....	<i>35th Ave & Van Buren St.....</i>	<i>16:17</i>
Phoenix Zoo.....	7:31	67th Ave & Van Buren St.....	<i>51st Ave & Van Buren St.....</i>	<i>16:26</i>
Galvin Pkwy & Van Buren St.....	7:34	83rd Ave & Van Buren St.....	<i>67th Ave & Van Buren St.....</i>	<i>16:33</i>
44th St & Van Buren St.....	7:40	99th Ave & Van Buren St.....	<i>83rd Ave & Van Buren St.....</i>	<i>16:41</i>
24th St & Van Buren St.....	7:48	Avondale Civic Center.....	<i>99th Ave & Van Buren St.....</i>	<i>16:48</i>
2nd Ave & Van Buren St.....	8:00	4th St & La Canada Blvd.....	<i>Avondale Civic Center.....</i>	<i>16:55</i>
19th Ave & Van Buren St.....	8:08		<i>4th St & La Canada Blvd.....</i>	<i>17:06</i>
35th Ave & Van Buren St.....	8:17	3 / East / 86 / 20163927		
51st Ave & Van Buren St.....	8:26	4th St & La Canada Blvd.....		13:28
67th Ave & Van Buren St.....	8:33	Avondale Civic Center.....		13:42
83rd Ave & Van Buren St.....	8:41	99th Ave & Van Buren St.....		13:48
99th Ave & Van Buren St.....	8:48	83rd Ave & Van Buren St.....		13:55
Avondale Civic Center.....	8:55			
4th St & La Canada Blvd.....	9:06			

Phoenix West

Effective: 01/22/2024

2039

Saturday

Duty Type	Block	Report Time	Start Place	Start Time	End Time	End Place	Clear Time	Paid Time	Seat Time
ST	2040	4:45	WEST	4:50	15:08	43LB			
	CAR		43LB	15:08	15:29	WEST	15:29	10h44	8h45

Sign-on	4:45	Deadhead		43 / North / 182 / 20163573
		43rd Ave & Union Hills Dr.....	8:39	43rd Ave & Lower Buckeye Rd 12:46
Block	2040	43rd Ave & Union Hills Dr.....	8:46	43rd Ave & Van Buren St..... 12:52
				43rd Ave & Thomas Rd..... 13:02
Pull Out		43 / South / 207 / 20163586		43rd Ave & Camelback Rd..... 13:10
West Transit Facility.....	5:05	43rd Ave & Union Hills Dr.....	9:03	43rd Ave & Glendale Ave..... 13:17
43rd Ave & Lower Buckeye Rd	5:20	43rd Ave & Thunderbird Rd.....	9:10	43rd Ave & Dunlap Ave..... 13:24
		43rd Ave & Dunlap Ave.....	9:20	43rd Ave & Thunderbird Rd..... 13:32
		43rd Ave & Glendale Ave.....	9:26	43rd Ave & Union Hills Dr..... 13:41
43 / North / 182 / 20164314		43rd Ave & Camelback Rd.....	9:33	
43rd Ave & Lower Buckeye Rd	5:20	43rd Ave & Thomas Rd.....	9:43	Deadhead
43rd Ave & Van Buren St.....	5:26	43rd Ave & Van Buren St.....	9:51	43rd Ave & Union Hills Dr..... 13:41
43rd Ave & Thomas Rd.....	5:33	43rd Ave & Lower Buckeye Rd	9:59	43rd Ave & Union Hills Dr..... 13:48
43rd Ave & Camelback Rd.....	5:40			
43rd Ave & Glendale Ave.....	5:46	Deadhead		
43rd Ave & Dunlap Ave.....	5:52	43 / South / 207 / 20163590		
43rd Ave & Thunderbird Rd.....	5:59	43rd Ave & Lower Buckeye Rd	9:59	43rd Ave & Union Hills Dr..... 14:02
43rd Ave & Union Hills Dr.....	6:08	43rd Ave & Lower Buckeye Rd	10:05	43rd Ave & Thunderbird Rd..... 14:09
				43rd Ave & Dunlap Ave..... 14:19
Deadhead		43 / North / 182 / 20163975		43rd Ave & Glendale Ave..... 14:26
43rd Ave & Union Hills Dr.....	6:08	43rd Ave & Lower Buckeye Rd	10:16	43rd Ave & Camelback Rd..... 14:34
43rd Ave & Union Hills Dr.....	6:15	43rd Ave & Van Buren St.....	10:22	43rd Ave & Thomas Rd..... 14:44
		43rd Ave & Thomas Rd.....	10:32	43rd Ave & Van Buren St..... 14:54
43 / South / 207 / 20163973		43rd Ave & Camelback Rd.....	10:40	43rd Ave & Lower Buckeye Rd 15:02
43rd Ave & Union Hills Dr.....	6:35	43rd Ave & Glendale Ave.....	10:47	
43rd Ave & Thunderbird Rd.....	6:42	43rd Ave & Dunlap Ave.....	10:54	Deadhead
43rd Ave & Dunlap Ave.....	6:51	43rd Ave & Thunderbird Rd.....	11:02	43rd Ave & Lower Buckeye Rd 15:02
43rd Ave & Glendale Ave.....	6:57	43rd Ave & Union Hills Dr.....	11:11	43rd Ave & Lower Buckeye Rd 15:08
43rd Ave & Camelback Rd.....	7:04			
43rd Ave & Thomas Rd.....	7:13	Deadhead		Travel by CAR
43rd Ave & Van Buren St.....	7:21	43rd Ave & Union Hills Dr.....	11:11	
43rd Ave & Lower Buckeye Rd	7:29	43rd Ave & Union Hills Dr.....	11:18	Car Pull
				43rd Ave & Lower Buckeye Rd 15:08
Deadhead		43 / South / 207 / 20163998		West Transit Facility..... 15:29
43rd Ave & Lower Buckeye Rd	7:29	43rd Ave & Union Hills Dr.....	11:33	
43rd Ave & Lower Buckeye Rd	7:35	43rd Ave & Thunderbird Rd.....	11:40	43 / North / 182 / 20164012
		43rd Ave & Dunlap Ave.....	11:50	43rd Ave & Lower Buckeye Rd 15:16
43 / North / 182 / 20163566		43rd Ave & Glendale Ave.....	11:56	43rd Ave & Van Buren St..... 15:22
43rd Ave & Lower Buckeye Rd	7:49	43rd Ave & Camelback Rd.....	12:04	43rd Ave & Thomas Rd..... 15:32
43rd Ave & Van Buren St.....	7:55	43rd Ave & Thomas Rd.....	12:14	43rd Ave & Camelback Rd..... 15:40
43rd Ave & Thomas Rd.....	8:03	43rd Ave & Van Buren St.....	12:24	43rd Ave & Glendale Ave..... 15:47
43rd Ave & Camelback Rd.....	8:10	43rd Ave & Lower Buckeye Rd	12:32	43rd Ave & Dunlap Ave..... 15:54
43rd Ave & Glendale Ave.....	8:16			43rd Ave & Thunderbird Rd..... 16:02
43rd Ave & Dunlap Ave.....	8:22	Deadhead		43rd Ave & Union Hills Dr..... 16:11
43rd Ave & Thunderbird Rd.....	8:30	43rd Ave & Lower Buckeye Rd	12:32	
43rd Ave & Union Hills Dr.....	8:39	43rd Ave & Lower Buckeye Rd	12:38	

Phoenix West

Effective: 01/22/2024

2040
Saturday

Duty Type	Block	Report Time	Start Place	Start Time	End Time	End Place	Clear Time	Paid Time	Seat Time
ST	2039	4:45	WEST	4:50	14:45	51VB	14:59	10h14	7h47
	CAR		51VB	14:45	14:59	WEST			

Sign-on	4:45	51 / North / 206 / 20163604	51 / South / 28 / 20163621
		51st Ave & Pecos Rd.....	9:51 ASU West Campus.....
Block	2039	Vee Quiva Casino.....	14:02
		10:01	14:14
		10:13	14:21
Pull Out		10:20	14:28
West Transit Facility.....	5:05	10:27	14:37
ASU West Campus.....	5:38	10:35	14:45
		10:43	
51 / South / 27 / 20164099		10:50	Travel by
ASU West Campus.....	5:38	10:57	CAR
51st Ave & Olive Ave.....	5:49	ASU West Campus.....	
51st Ave & Glendale Ave.....	5:55		Car Pull
51st Ave & Camelback Rd.....	6:00		51st Ave & Van Buren St.....
51st Ave & Thomas Rd.....	6:07	51 / South / 27 / 20164066	14:45
51st Ave & Van Buren St.....	6:15	ASU West Campus.....	14:59
51st Ave & Lower Buckeye Rd...	6:20		
51st Ave & Baseline Rd.....	6:27	11:32	51st Ave & Lower Buckeye Rd
		11:44	14:50
Deadhead		11:51	51st Ave & Baseline Rd.....
51st Ave & Baseline Rd.....	6:27	11:58	14:58
51st Ave & Baseline Rd.....	6:32	12:07	Vee Quiva Casino.....
		12:15	15:10
51 / North / 206 / 20164101		12:20	Komatke Health Center.....
51st Ave & Baseline Rd.....	6:44	51st Ave & Baseline Rd.....	15:22
51st Ave & Lower Buckeye Rd...	6:51		51st Ave & Pecos Rd.....
51st Ave & Van Buren St.....	6:57		
51st Ave & Thomas Rd.....	7:05	51 / North / 206 / 20164080	
51st Ave & Camelback Rd.....	7:13	51st Ave & Baseline Rd.....	15:50
51st Ave & Glendale Ave.....	7:20		16:00
51st Ave & Olive Ave.....	7:27	12:33	Vee Quiva Casino.....
ASU West Campus.....	7:37	12:43	16:12
		12:50	51st Ave & Baseline Rd.....
51 / South / 28 / 20163615		12:57	16:19
ASU West Campus.....	8:08	13:05	51st Ave & Lower Buckeye Rd
51st Ave & Olive Ave.....	8:19	13:13	16:26
51st Ave & Glendale Ave.....	8:25	13:20	51st Ave & Van Buren St.....
51st Ave & Camelback Rd.....	8:30	13:27	16:35
51st Ave & Thomas Rd.....	8:37	ASU West Campus.....	16:43
51st Ave & Van Buren St.....	8:45		51st Ave & Camelback Rd.....
51st Ave & Lower Buckeye Rd...	8:50		16:48
51st Ave & Baseline Rd.....	8:57		51st Ave & Thomas Rd.....
Vee Quiva Casino.....	9:09		16:55
Komatke Health Center.....	9:21		ASU West Campus.....
51st Ave & Pecos Rd.....	9:25		17:06

Phoenix West

Effective: 01/22/2024

2041
Saturday

Duty Type	Block	Report Time	Start Place	Start Time	End Time	End Place	Clear Time	Paid Time	Seat Time
ST	2041	4:46	WEST	4:51	14:02	67VB			
	CAR		67VB	14:02	14:14	WEST	14:14	9h28	6h39

Sign-on	4:46	83 / South / 155 / 20164179	67 / South / 254 / 20163529
		Arrowhead Mall North.....	8:02 67th Ave & Union Hills Dr..... 11:39
Block	2041	83rd Ave & Thunderbird Rd.....	8:12 67th Ave & Thunderbird Rd..... 11:50
		83rd Ave & Peoria Ave.....	8:18 67th Ave & Olive Ave..... 11:59
Pull Out		83rd Ave & Glendale Ave.....	8:30 67th Ave & Glendale Ave..... 12:06
West Transit Facility.....	5:06	83rd Ave & Camelback Rd.....	8:35 67th Ave & Camelback Rd..... 12:15
Sierra Linda HS-North.....	5:18	Desert Sky TC.....	8:41 67th Ave & Thomas Rd..... 12:22
		83rd Ave & Van Buren St.....	8:50 67th Ave & Van Buren St..... 12:32
			Sierra Linda HS-South..... 12:41
67 / North / 250 / 20164327		Deadhead	
Sierra Linda HS-North.....	5:18	83rd Ave & Van Buren St.....	8:50 Deadhead 12:41
67th Ave & Van Buren St.....	5:25	83rd Ave & Van Buren St.....	8:54 Sierra Linda HS-South..... 12:41
67th Ave & Thomas Rd.....	5:33		75th Ave & Lower Buckeye Rd 12:46
67th Ave & Camelback Rd.....	5:40		
		83 / North / 153 / 20163833	
Deadhead		83rd Ave & Van Buren St.....	9:03 75 / North / 147 / 20164198
67th Ave & Camelback Rd.....	5:40	Desert Sky TC.....	9:12 75th Ave & Lower Buckeye Rd 12:55
83rd Ave & Camelback Rd.....	5:45	83rd Ave & Camelback Rd.....	9:22 75th Ave & Van Buren St..... 13:00
			Desert Sky TC..... 13:12
83 / South / 155 / 20163814		Deadhead	75th Ave & Camelback Rd..... 13:22
83rd Ave & Camelback Rd.....	6:05	83rd Ave & Camelback Rd.....	9:22 Deadhead 13:22
Desert Sky TC.....	6:11	75th Ave & Camelback Rd.....	9:25 75th Ave & Camelback Rd..... 13:22
83rd Ave & Van Buren St.....	6:19		67th Ave & Camelback Rd..... 13:25
		75 / South / 149 / 20163788	
Deadhead		75th Ave & Camelback Rd.....	9:30 67 / South / 254 / 20164145
83rd Ave & Van Buren St.....	6:19	Desert Sky TC.....	9:38 67th Ave & Camelback Rd..... 13:45
83rd Ave & Van Buren St.....	6:23	75th Ave & Van Buren St.....	9:49 67th Ave & Thomas Rd..... 13:52
		75th Ave & Lower Buckeye Rd	9:53 67th Ave & Van Buren St..... 14:02
83 / North / 183 / 20164196		Deadhead	
83rd Ave & Van Buren St.....	6:35	75th Ave & Lower Buckeye Rd	10:12 Travel by CAR
Desert Sky TC.....	6:42	Sierra Linda HS-North.....	10:17 Car Pull
83rd Ave & Camelback Rd.....	6:51		67th Ave & Van Buren St..... 14:02
83rd Ave & Glendale Ave.....	6:56	67 / North / 108 / 20163514	West Transit Facility..... 14:14
83rd Ave & Peoria Ave.....	7:06	Sierra Linda HS-North.....	10:17 Sierra Linda HS-South..... 14:11
83rd Ave & Thunderbird Rd.....	7:12	67th Ave & Van Buren St.....	
Arrowhead Mall North.....	7:21	67th Ave & Thomas Rd.....	
		67th Ave & Camelback Rd.....	
Deadhead		67th Ave & Glendale Ave.....	
Arrowhead Mall North.....	7:21	67th Ave & Olive Ave.....	
Arrowhead Mall Layover.....	7:23	67th Ave & Thunderbird Rd.....	
		67th Ave & Union Hills Dr.....	11:16 75 / North / 147 / 20163806
Deadhead			75th Ave & Lower Buckeye Rd 14:25
Arrowhead Mall Layover.....	8:00		75th Ave & Van Buren St..... 14:31
Arrowhead Mall North.....	8:02	Deadhead	Desert Sky TC..... 14:43
		67th Ave & Union Hills Dr.....	11:16 75th Ave & Camelback Rd..... 14:54
		67th Ave & Union Hills Dr.....	11:21

Phoenix West

Effective: 01/22/2024

2042

Saturday

Duty Type	Block	Report Time	Start Place	Start Time	End Time	End Place	Clear Time	Paid Time	Seat Time
ST	2042	4:47	WEST 94TH	4:52	14:31	94TH	14:47	10h00	8h09
	CAR		94TH	14:31	14:47	WEST	14:47		

Sign-on	4:47	29 / West / 199 / 20163881	29 / West / 199 / 20163889
		Pima Park.....	Pima Park.....
Block	2042	Scottsdale Rd & Thomas Rd.....	Scottsdale Rd & Thomas Rd.....
		56th St & Thomas Rd.....	56th St & Thomas Rd.....
Pull Out		44th St & Thomas Rd.....	44th St & Thomas Rd.....
West Transit Facility.....	5:07	24th St & Thomas Rd.....	24th St & Thomas Rd.....
56th St & Thomas Rd.....	5:42	Central Ave & Thomas Rd.....	Central Ave & Thomas Rd.....
		19th Ave & Thomas Rd.....	19th Ave & Thomas Rd.....
		35th Ave & Thomas Rd.....	35th Ave & Thomas Rd.....
29 / West / 199 / 20164057		51st Ave & Thomas Rd.....	51st Ave & Thomas Rd.....
56th St & Thomas Rd.....	5:42	67th Ave & Thomas Rd.....	67th Ave & Thomas Rd.....
44th St & Thomas Rd.....	5:48	Desert Sky TC.....	Desert Sky TC.....
24th St & Thomas Rd.....	5:58	Desert Sky TC.....	Desert Sky TC.....
Central Ave & Thomas Rd.....	6:10	93rd Ave & Thomas Rd.....	93rd Ave & Thomas Rd.....
19th Ave & Thomas Rd.....	6:16		
35th Ave & Thomas Rd.....	6:24	Deadhead	Deadhead
51st Ave & Thomas Rd.....	6:30	93rd Ave & Thomas Rd.....	93rd Ave & Thomas Rd.....
67th Ave & Thomas Rd.....	6:37	94th Av Layover.....	94th Av Layover.....
Desert Sky TC.....	6:44		
Desert Sky TC.....	6:47	Deadhead	Travel by
93rd Ave & Thomas Rd.....	6:52	94th Av Layover.....	CAR
		93rd Ave & Thomas Rd.....	
Deadhead			Car Pull
93rd Ave & Thomas Rd.....	6:52		94th Av Layover.....
94th Av Layover.....	6:53	29 / East / 31 / 20163851	West Transit Facility.....
		93rd Ave & Thomas Rd.....	14:47
Deadhead		Thomas Rd at Desert Sky TC....	29 / East / 31 / 20163856
94th Av Layover.....	7:10	67th Ave & Thomas Rd.....	93rd Ave & Thomas Rd.....
93rd Ave & Thomas Rd.....	7:11	51st Ave & Thomas Rd.....	Thomas Rd at Desert Sky TC..
		35th Ave & Thomas Rd.....	67th Ave & Thomas Rd.....
29 / East / 31 / 20163847		19th Ave & Thomas Rd.....	51st Ave & Thomas Rd.....
93rd Ave & Thomas Rd.....	7:11	Central Ave & Thomas Rd.....	35th Ave & Thomas Rd.....
Thomas Rd at Desert Sky TC....	7:16	24th St & Thomas Rd.....	19th Ave & Thomas Rd.....
67th Ave & Thomas Rd.....	7:22	44th St & Thomas Rd.....	Central Ave & Thomas Rd.....
51st Ave & Thomas Rd.....	7:28	56th St & Thomas Rd.....	24th St & Thomas Rd.....
35th Ave & Thomas Rd.....	7:35	Scottsdale Rd & Thomas Rd.....	44th St & Thomas Rd.....
19th Ave & Thomas Rd.....	7:43	Pima Park.....	56th St & Thomas Rd.....
Central Ave & Thomas Rd.....	7:50		Scottsdale Rd & Thomas Rd...
24th St & Thomas Rd.....	8:01		Pima Park.....
44th St & Thomas Rd.....	8:11		
56th St & Thomas Rd.....	8:17		
Scottsdale Rd & Thomas Rd.....	8:23		
Pima Park.....	8:30		

Phoenix West

Effective: 01/22/2024

2043

Saturday

Duty Type	Block	Report Time	Start Place	Start Time	End Time	End Place	Clear Time	Paid Time	Seat Time
ST	2043	4:49	WEST	4:54	11:12	107I-E			
	CAR		107I-E	11:12	11:29	WEST	11:29	6h40	5h42

Sign-on	4:49	41 / East / 172 / 20163691							
		107th Ave & Indian School Rd.	7:12						
Block	2043	83rd Ave & Indian School Rd.....	7:20						
		59th Ave & Indian School Rd.....	7:31						
Pull Out		43rd Ave & Indian School Rd.....	7:40						
West Transit Facility.....	5:09	19th Ave & Indian School Rd.....	7:54						
56th St & Indian School Rd.....	5:44	Central Ave & Indian School Rd.	8:03						
		Central Ave & Indian School Rd.	8:07						
		24th St & Indian School Rd.....	8:21						
		32nd St & Indian School Rd.....	8:25						
		44th St & Indian School Rd.....	8:32						
		32nd St & Indian School Rd.....	8:51						
		24th St & Indian School Rd.....	8:55						
		Central Ave & Indian School Rd.	6:05						
		Central Ave & Indian School Rd.	6:09						
		19th Ave & Indian School Rd.....	6:15						
		43rd Ave & Indian School Rd.....	6:28						
		59th Ave & Indian School Rd.....	6:35						
		83rd Ave & Indian School Rd.....	6:45						
		107th Ave & Indian School Rd.	6:56						
Deadhead									
107th Ave & Indian School Rd.	6:56								
107th Ave & Indian School Rd.	7:02								
		41 / West / 724 / 20163696							
		Granite Reef Rd & Indian Sch	9:26						
		Scottsdale Rd & Indian School	9:31						
		56th St & Indian School Rd.....	9:38						
		44th St & Indian School Rd.....	9:42						
		32nd St & Indian School Rd.....	9:48						
		24th St & Indian School Rd.....	9:53						
		Central Ave & Indian School Rd.	10:05						
		Central Ave & Indian School Rd.	10:09						
		19th Ave & Indian School Rd.....	10:17						
		43rd Ave & Indian School Rd.....	10:33						
		59th Ave & Indian School Rd.....	10:42						
		83rd Ave & Indian School Rd.....	10:54						
		107th Ave & Indian School Rd.	11:06						
		Deadhead							
		107th Ave & Indian School Rd.	11:06						
		107th Ave & Indian School Rd.	11:12						
		Travel by							CAR
		Car Pull							
		107th Ave & Indian School Rd.	11:12						
		West Transit Facility.....	11:29						
		41 / East / 172 / 20163670							
		107th Ave & Indian School Rd.	11:40						
		83rd Ave & Indian School Rd..	11:48						
		59th Ave & Indian School Rd...	11:59						
		43rd Ave & Indian School Rd..	12:08						
		19th Ave & Indian School Rd...	12:24						
		Central Ave & Indian School R	12:33						
		Central Ave & Indian School R	12:37						
		24th St & Indian School Rd.....	12:51						
		32nd St & Indian School Rd....	12:55						
		44th St & Indian School Rd.....	13:02						
		56th St & Indian School Rd.....	13:05						
		Scottsdale Rd & Indian Schoo	13:12						
		Granite Reef Rd & Indian Sch	13:20						

Phoenix West

Effective: 01/22/2024

2044
Saturday

Duty Type	Block	Report Time	Start Place	Start Time	End Time	End Place	Clear Time	Paid Time	Seat Time
ST	2044	4:51	WEST 94TH	4:56	15:01	94TH	15:17	10h26	8h39

Sign-on	4:51	29 / West / 199 / 20163882				29 / West / 199 / 20163891			
		Pima Park.....		9:27		Pima Park.....			13:23
Block	2044	Scottsdale Rd & Thomas Rd.....		9:32		Scottsdale Rd & Thomas Rd.....			13:28
		56th St & Thomas Rd.....		9:38		56th St & Thomas Rd.....			13:34
Pull Out		44th St & Thomas Rd.....		9:46		44th St & Thomas Rd.....			13:42
West Transit Facility.....	5:11	24th St & Thomas Rd.....		9:57		24th St & Thomas Rd.....			13:56
Pima Park.....	6:01	Central Ave & Thomas Rd.....		10:10		Central Ave & Thomas Rd.....			14:10
		19th Ave & Thomas Rd.....		10:16		19th Ave & Thomas Rd.....			14:17
29 / West / 199 / 20163875		35th Ave & Thomas Rd.....		10:24		35th Ave & Thomas Rd.....			14:27
Pima Park.....	6:01	51st Ave & Thomas Rd.....		10:31		51st Ave & Thomas Rd.....			14:34
Scottsdale Rd & Thomas Rd.....	6:06	67th Ave & Thomas Rd.....		10:38		67th Ave & Thomas Rd.....			14:41
56th St & Thomas Rd.....	6:12	Desert Sky TC.....		10:47		Desert Sky TC.....			14:51
44th St & Thomas Rd.....	6:18	Desert Sky TC.....		10:50		Desert Sky TC.....			14:54
24th St & Thomas Rd.....	6:28	93rd Ave & Thomas Rd.....		10:56		93rd Ave & Thomas Rd.....			15:00
Central Ave & Thomas Rd.....	6:40								
19th Ave & Thomas Rd.....	6:46	Deadhead				Deadhead			
35th Ave & Thomas Rd.....	6:54	93rd Ave & Thomas Rd.....		10:56		93rd Ave & Thomas Rd.....			15:00
51st Ave & Thomas Rd.....	7:00	94th Av Layover.....		10:57		94th Av Layover.....			15:01
67th Ave & Thomas Rd.....	7:07								
Desert Sky TC.....	7:14	Deadhead				Travel by			CAR
Desert Sky TC.....	7:17	94th Av Layover.....		11:29					
93rd Ave & Thomas Rd.....	7:22	93rd Ave & Thomas Rd.....		11:30		Car Pull			
						94th Av Layover.....			15:01
Deadhead		29 / East / 31 / 20163866				West Transit Facility.....			15:17
93rd Ave & Thomas Rd.....	7:22	93rd Ave & Thomas Rd.....		11:30					
94th Av Layover.....	7:23	Thomas Rd at Desert Sky TC....		11:36		29 / East / 31 / 20163868			
		67th Ave & Thomas Rd.....		11:43		<i>93rd Ave & Thomas Rd.....</i>			<i>15:30</i>
Deadhead		51st Ave & Thomas Rd.....		11:53		<i>Thomas Rd at Desert Sky TC..</i>			<i>15:36</i>
94th Av Layover.....	7:40	35th Ave & Thomas Rd.....		12:02		<i>67th Ave & Thomas Rd.....</i>			<i>15:43</i>
93rd Ave & Thomas Rd.....	7:41	19th Ave & Thomas Rd.....		12:12		<i>51st Ave & Thomas Rd.....</i>			<i>15:53</i>
		Central Ave & Thomas Rd.....		12:20		<i>35th Ave & Thomas Rd.....</i>			<i>16:02</i>
29 / East / 31 / 20163860		24th St & Thomas Rd.....		12:33		<i>19th Ave & Thomas Rd.....</i>			<i>16:12</i>
93rd Ave & Thomas Rd.....	7:41	44th St & Thomas Rd.....		12:48		<i>Central Ave & Thomas Rd.....</i>			<i>16:20</i>
Thomas Rd at Desert Sky TC....	7:46	56th St & Thomas Rd.....		12:55		<i>24th St & Thomas Rd.....</i>			<i>16:33</i>
67th Ave & Thomas Rd.....	7:52	Scottsdale Rd & Thomas Rd.....		13:01		<i>44th St & Thomas Rd.....</i>			<i>16:45</i>
51st Ave & Thomas Rd.....	7:58	Pima Park.....		13:08		<i>56th St & Thomas Rd.....</i>			<i>16:52</i>
35th Ave & Thomas Rd.....	8:05					<i>Scottsdale Rd & Thomas Rd...</i>			<i>16:58</i>
19th Ave & Thomas Rd.....	8:13					<i>Pima Park.....</i>			<i>17:05</i>
Central Ave & Thomas Rd.....	8:20								
24th St & Thomas Rd.....	8:31								
44th St & Thomas Rd.....	8:44								
56th St & Thomas Rd.....	8:51								
Scottsdale Rd & Thomas Rd.....	8:57								
Pima Park.....	9:04								

Phoenix West

Effective: 01/22/2024

2045

Saturday

Duty Type	Block	Report Time	Start Place	Start Time	End Time	End Place	Clear Time	Paid Time	Seat Time
ST	2045 CAR	4:53	WEST 51HD	4:58 13:59	13:59 14:10	51HD WEST	14:10	9h17	5h44

Sign-on	4:53	Deadhead				59 / North / 266 / 20164134			
		51st Ave & Hadley St.....		8:21		59th Ave & Buckeye Rd.....		11:25	
Block	2045	59th Ave & Buckeye Rd.....		8:25		59th Ave & Van Buren St.....		11:27	
						59th Ave & Thomas Rd.....		11:35	
Pull Out		59 / North / 266 / 20164129				59th Ave & Camelback Rd.....		11:43	
West Transit Facility.....	5:13	59th Ave & Buckeye Rd.....		8:25					
59th Ave & Buckeye Rd.....	5:25	59th Ave & Van Buren St.....		8:27		Deadhead			
		59th Ave & Thomas Rd.....		8:35		59th Ave & Camelback Rd.....		11:43	
59 / North / 266 / 20164319		59th Ave & Camelback Rd.....		8:43		75th Ave & Camelback Rd.....		11:52	
59th Ave & Buckeye Rd.....	5:25								
59th Ave & Van Buren St.....	5:27	Deadhead				75 / South / 149 / 20164172			
59th Ave & Thomas Rd.....	5:35	59th Ave & Camelback Rd.....		8:43		75th Ave & Camelback Rd.....		12:00	
59th Ave & Camelback Rd.....	5:43	75th Ave & Camelback Rd.....		8:52		Desert Sky TC.....		12:09	
						75th Ave & Van Buren St.....		12:21	
Deadhead		75 / South / 149 / 20164228				75th Ave & Lower Buckeye Rd		12:25	
59th Ave & Camelback Rd.....	5:43	75th Ave & Camelback Rd.....		9:00					
75th Ave & Camelback Rd.....	5:52	Desert Sky TC.....		9:08		Deadhead			
		75th Ave & Van Buren St.....		9:19		75th Ave & Lower Buckeye Rd		12:39	
75 / South / 149 / 20164229		75th Ave & Lower Buckeye Rd		9:23		Sierra Linda HS-North.....		12:44	
75th Ave & Camelback Rd.....	6:00								
Desert Sky TC.....	6:08	Deadhead				67 / North / 250 / 20164218			
75th Ave & Van Buren St.....	6:17	75th Ave & Lower Buckeye Rd		9:42		Sierra Linda HS-North.....		12:44	
75th Ave & Lower Buckeye Rd	6:21	Sierra Linda HS-North.....		9:47		67th Ave & Van Buren St.....		12:53	
						67th Ave & Thomas Rd.....		13:02	
Deadhead		67 / North / 250 / 20164215				67th Ave & Camelback Rd.....		13:10	
75th Ave & Lower Buckeye Rd	6:43	Sierra Linda HS-North.....		9:47					
Sierra Linda HS-North.....	6:48	67th Ave & Van Buren St.....		9:54		Deadhead			
		67th Ave & Thomas Rd.....		10:03		67th Ave & Camelback Rd.....		13:10	
67 / North / 250 / 20164213		67th Ave & Camelback Rd.....		10:10		59th Ave & Camelback Rd.....		13:13	
Sierra Linda HS-North.....	6:48								
67th Ave & Van Buren St.....	6:55	Deadhead				59 / South / 220 / 20164120			
67th Ave & Thomas Rd.....	7:03	67th Ave & Camelback Rd.....		10:10		59th Ave & Camelback Rd.....		13:27	
67th Ave & Camelback Rd.....	7:10	59th Ave & Camelback Rd.....		10:13		59th Ave & Thomas Rd.....		13:34	
						59th Ave & Van Buren St.....		13:43	
Deadhead		59 / South / 220 / 20164115				59th Ave & Buckeye Rd.....		13:46	
67th Ave & Camelback Rd.....	7:10	59th Ave & Camelback Rd.....		10:27					
59th Ave & Camelback Rd.....	7:13	59th Ave & Thomas Rd.....		10:34		Deadhead			
		59th Ave & Van Buren St.....		10:43		59th Ave & Buckeye Rd.....		13:46	
59 / South / 220 / 20164113		59th Ave & Buckeye Rd.....		10:46		51st Ave & Hadley St.....		13:50	
59th Ave & Camelback Rd.....	7:27								
59th Ave & Thomas Rd.....	7:34	Deadhead				Travel by		CAR	
59th Ave & Van Buren St.....	7:42	59th Ave & Buckeye Rd.....		10:46					
59th Ave & Buckeye Rd.....	7:45	51st Ave & Hadley St.....		10:50		Car Pull			
						51st Ave & Hadley St.....		13:59	
Deadhead		Deadhead				West Transit Facility.....		14:10	
59th Ave & Buckeye Rd.....	7:45	51st Ave & Hadley St.....		11:21					
51st Ave & Hadley St.....	7:49	59th Ave & Buckeye Rd.....		11:25		59 / North / 266 / 20164103			
						59th Ave & Buckeye Rd.....		14:23	
						59th Ave & Van Buren St.....		14:25	
						59th Ave & Thomas Rd.....		14:34	
						59th Ave & Camelback Rd.....		14:43	

Phoenix West

Effective: 01/22/2024

2046

Saturday

Duty Type	Block	Report Time	Start Place	Start Time	End Time	End Place	Clear Time	Paid Time	Seat Time
ST	2046 CAR	4:55	WEST 67VB	5:00 15:33	15:33 15:45	67VB WEST	15:45	10h50	7h37

Sign-on	4:55	Deadhead				Deadhead			
		75th Ave & Camelback Rd.....		8:49		83rd Ave & Camelback Rd.....		12:22	
Block	2046	83rd Ave & Camelback Rd.....		8:52		75th Ave & Camelback Rd.....		12:25	
Pull Out		83 / South / 155 / 20163818				75 / South / 149 / 20163789			
West Transit Facility.....	5:15	83rd Ave & Camelback Rd.....		9:05		75th Ave & Camelback Rd.....		12:30	
75th Ave & Lower Buckeye Rd	5:25	Desert Sky TC.....		9:11		Desert Sky TC.....		12:39	
		83rd Ave & Van Buren St.....		9:20		75th Ave & Van Buren St.....		12:51	
						75th Ave & Lower Buckeye Rd		12:55	
75 / North / 147 / 20164324		Deadhead				Deadhead			
75th Ave & Lower Buckeye Rd	5:25	83rd Ave & Van Buren St.....		9:20		75th Ave & Lower Buckeye Rd		13:09	
75th Ave & Van Buren St.....	5:29	83rd Ave & Van Buren St.....		9:24		Sierra Linda HS-North.....		13:14	
Desert Sky TC.....	5:37								
75th Ave & Camelback Rd.....	5:45								
		83 / North / 183 / 20164192				67 / North / 108 / 20163517			
Deadhead		83rd Ave & Van Buren St.....		9:33		Sierra Linda HS-North.....		13:14	
75th Ave & Camelback Rd.....	5:45	Desert Sky TC.....		9:42		67th Ave & Van Buren St.....		13:23	
67th Ave & Camelback Rd.....	5:48	83rd Ave & Camelback Rd.....		9:52		67th Ave & Thomas Rd.....		13:32	
		83rd Ave & Glendale Ave.....		9:57		67th Ave & Camelback Rd.....		13:40	
67 / South / 254 / 20163658		83rd Ave & Peoria Ave.....		10:08		67th Ave & Glendale Ave.....		13:50	
67th Ave & Camelback Rd.....	6:15	83rd Ave & Thunderbird Rd.....		10:14		67th Ave & Olive Ave.....		13:56	
67th Ave & Thomas Rd.....	6:22	Arrowhead Mall North.....		10:24		67th Ave & Thunderbird Rd.....		14:06	
67th Ave & Van Buren St.....	6:30					67th Ave & Union Hills Dr.....		14:16	
Sierra Linda HS-South.....	6:38	Deadhead							
		Arrowhead Mall North.....		10:24					
		Arrowhead Mall Layover.....		10:26		Deadhead			
Deadhead						67th Ave & Union Hills Dr.....		14:16	
Sierra Linda HS-South.....	6:38	Deadhead				67th Ave & Union Hills Dr.....		14:21	
75th Ave & Lower Buckeye Rd	6:43	Arrowhead Mall Layover.....		10:56					
		Arrowhead Mall North.....		10:58					
75 / North / 147 / 20164161						67 / South / 254 / 20163532			
75th Ave & Lower Buckeye Rd	6:55					67th Ave & Union Hills Dr.....		14:39	
75th Ave & Van Buren St.....	7:00	83 / South / 155 / 20164205				67th Ave & Thunderbird Rd.....		14:50	
Desert Sky TC.....	7:08	Arrowhead Mall North.....		10:58		67th Ave & Olive Ave.....		14:59	
75th Ave & Camelback Rd.....	7:17	83rd Ave & Thunderbird Rd.....		11:09		67th Ave & Glendale Ave.....		15:06	
		83rd Ave & Peoria Ave.....		11:15		67th Ave & Camelback Rd.....		15:15	
Deadhead		83rd Ave & Glendale Ave.....		11:27		67th Ave & Thomas Rd.....		15:23	
75th Ave & Camelback Rd.....	7:17	83rd Ave & Camelback Rd.....		11:32		67th Ave & Van Buren St.....		15:33	
67th Ave & Camelback Rd.....	7:20	Desert Sky TC.....		11:41					
		83rd Ave & Van Buren St.....		11:51		Travel by		CAR	
67 / South / 254 / 20164139									
67th Ave & Camelback Rd.....	7:45	Deadhead				Car Pull			
67th Ave & Thomas Rd.....	7:52	83rd Ave & Van Buren St.....		11:51		67th Ave & Van Buren St.....		15:33	
67th Ave & Van Buren St.....	8:00	83rd Ave & Van Buren St.....		11:55		West Transit Facility.....		15:45	
Sierra Linda HS-South.....	8:08								
		83 / North / 153 / 20163836				<i>Sierra Linda HS-South.....</i>		<i>15:42</i>	
Deadhead		83rd Ave & Van Buren St.....		12:03					
Sierra Linda HS-South.....	8:08	Desert Sky TC.....		12:12		75 / North / 147 / 20164157			
75th Ave & Lower Buckeye Rd	8:13	83rd Ave & Camelback Rd.....		12:22		75th Ave & Lower Buckeye Rd		15:55	
						75th Ave & Van Buren St.....		16:00	
75 / North / 147 / 20163800						<i>Desert Sky TC.....</i>		<i>16:14</i>	
75th Ave & Lower Buckeye Rd	8:25					75th Ave & Camelback Rd.....		16:25	
75th Ave & Van Buren St.....	8:30								
Desert Sky TC.....	8:40								
75th Ave & Camelback Rd.....	8:49								

Phoenix West

Effective: 01/22/2024

2047
Saturday

Duty Type	Block	Report Time	Start Place	Start Time	End Time	End Place	Clear Time	Paid Time	Seat Time
ST	2047 CAR	4:57	WEST 99MC	5:02 15:12	15:12 15:23	99MC WEST	15:23	10h26	8h44

Sign-on	4:57	Deadhead	17 / West / 253 / 20163773
		Pima Rd & McDowell Rd.....	9:00 Pima Rd & McDowell Rd..... 13:32
Block	2047	Pima Rd & McDowell Rd.....	9:07 Scottsdale Rd & McDowell Rd.... 13:39
			52nd St & McDowell Rd..... 13:46
Pull Out		17 / West / 253 / 20163769	44th St & McDowell Rd..... 13:49
West Transit Facility.....	5:17	Pima Rd & McDowell Rd.....	9:32 24th St & McDowell Rd..... 14:01
52nd St & McDowell Rd.....	5:50	Scottsdale Rd & McDowell Rd....	9:39 Central Ave & McDowell Rd..... 14:13
		52nd St & McDowell Rd.....	9:46 19th Ave & McDowell Rd..... 14:21
17 / West / 253 / 20163782		44th St & McDowell Rd.....	9:49 43rd Ave & McDowell Rd..... 14:36
52nd St & McDowell Rd.....	5:50	24th St & McDowell Rd.....	10:01 67th Ave & McDowell Rd..... 14:50
44th St & McDowell Rd.....	5:53	Central Ave & McDowell Rd.....	10:13 83rd Ave & McDowell Rd..... 14:57
24th St & McDowell Rd.....	6:03	19th Ave & McDowell Rd.....	10:21 99th Ave & McDowell Rd..... 15:05
Central Ave & McDowell Rd.....	6:13	43rd Ave & McDowell Rd.....	10:36
19th Ave & McDowell Rd.....	6:19	67th Ave & McDowell Rd.....	10:50
43rd Ave & McDowell Rd.....	6:31	83rd Ave & McDowell Rd.....	10:57
67th Ave & McDowell Rd.....	6:42	99th Ave & McDowell Rd.....	11:05 99th Ave & McDowell Rd..... 15:05
83rd Ave & McDowell Rd.....	6:49		99th Ave & McDowell Rd..... 15:12
99th Ave & McDowell Rd.....	6:57	Deadhead	Travel by CAR
		99th Ave & McDowell Rd.....	11:05
Deadhead		99th Ave & McDowell Rd.....	11:12
99th Ave & McDowell Rd.....	6:57	17 / East / 132 / 20163729	Car Pull
99th Ave & McDowell Rd.....	7:04	99th Ave & McDowell Rd.....	11:24 99th Ave & McDowell Rd..... 15:12
		83rd Ave & McDowell Rd.....	West Transit Facility..... 15:23
17 / East / 132 / 20163725		67th Ave & McDowell Rd.....	11:32
99th Ave & McDowell Rd.....	7:24	43rd Ave & McDowell Rd.....	11:39
83rd Ave & McDowell Rd.....	7:32	19th Ave & McDowell Rd.....	11:52
67th Ave & McDowell Rd.....	7:39	Central Ave & McDowell Rd.....	12:07
43rd Ave & McDowell Rd.....	7:52	24th St & McDowell Rd.....	12:17
19th Ave & McDowell Rd.....	8:07	44th St & McDowell Rd.....	12:29
Central Ave & McDowell Rd.....	8:17	52nd St & McDowell Rd.....	12:41
24th St & McDowell Rd.....	8:29	Scottsdale Rd & McDowell Rd....	12:44
44th St & McDowell Rd.....	8:41	Pima Rd & McDowell Rd.....	12:52
52nd St & McDowell Rd.....	8:44		13:00
Scottsdale Rd & McDowell Rd....	8:52	Deadhead	
Pima Rd & McDowell Rd.....	9:00	Pima Rd & McDowell Rd.....	13:00
		Pima Rd & McDowell Rd.....	13:07
			17 / East / 132 / 20163733
			99th Ave & McDowell Rd..... 15:24
			83rd Ave & McDowell Rd..... 15:32
			67th Ave & McDowell Rd..... 15:39
			43rd Ave & McDowell Rd..... 15:52
			19th Ave & McDowell Rd..... 16:07
			Central Ave & McDowell Rd.... 16:17
			24th St & McDowell Rd..... 16:29
			44th St & McDowell Rd..... 16:41
			52nd St & McDowell Rd..... 16:44
			Scottsdale Rd & McDowell Rd 16:52
			Pima Rd & McDowell Rd..... 17:00

Phoenix West

Effective: 01/22/2024

2048
Saturday

Duty Type	Block	Report Time	Start Place	Start Time	End Time	End Place	Clear Time	Paid Time	Seat Time
ST	2048 CAR	4:59	WEST 51VB	5:04 13:45	13:45 13:59	51VB WEST	13:59	9h00	6h42

Sign-on	4:59	51 / South / 27 / 20164081				Travel by			CAR
		ASU West Campus.....		10:32					
Block	2048	51st Ave & Olive Ave.....		10:44		Car Pull			
		51st Ave & Glendale Ave.....		10:51		51st Ave & Van Buren St.....		13:45	
Pull Out		51st Ave & Camelback Rd.....		10:58		West Transit Facility.....		13:59	
West Transit Facility.....	5:19	51st Ave & Thomas Rd.....		11:07					
51st Ave & Baseline Rd.....	5:45	51st Ave & Van Buren St.....		11:15		<i>51st Ave & Lower Buckeye Rd</i>		<i>13:50</i>	
		51st Ave & Lower Buckeye Rd...		11:20		<i>51st Ave & Baseline Rd.....</i>		<i>13:58</i>	
51 / North / 206 / 20164100		51st Ave & Baseline Rd.....		11:28		<i>Vee Quiva Casino.....</i>		<i>14:10</i>	
						<i>Komatke Health Center.....</i>		<i>14:22</i>	
51st Ave & Baseline Rd.....	5:45	Deadhead				<i>51st Ave & Pecos Rd.....</i>		<i>14:26</i>	
51st Ave & Lower Buckeye Rd...	5:52	51st Ave & Baseline Rd.....		11:28					
51st Ave & Van Buren St.....	5:58	51st Ave & Baseline Rd.....		11:33		51 / North / 206 / 20163607			
51st Ave & Thomas Rd.....	6:05					<i>51st Ave & Pecos Rd.....</i>		<i>14:50</i>	
51st Ave & Camelback Rd.....	6:13	51 / North / 206 / 20164074				<i>Vee Quiva Casino.....</i>		<i>15:00</i>	
51st Ave & Glendale Ave.....	6:18	51st Ave & Baseline Rd.....		11:43		<i>51st Ave & Baseline Rd.....</i>		<i>15:12</i>	
51st Ave & Olive Ave.....	6:25	51st Ave & Lower Buckeye Rd...		11:50		<i>51st Ave & Lower Buckeye Rd</i>		<i>15:19</i>	
ASU West Campus.....	6:35	51st Ave & Van Buren St.....		11:57		<i>51st Ave & Van Buren St.....</i>		<i>15:26</i>	
		51st Ave & Thomas Rd.....		12:05		<i>51st Ave & Thomas Rd.....</i>		<i>15:35</i>	
51 / South / 28 / 20163614		51st Ave & Camelback Rd.....		12:13		<i>51st Ave & Camelback Rd.....</i>		<i>15:43</i>	
ASU West Campus.....	7:08	51st Ave & Glendale Ave.....		12:20		<i>51st Ave & Glendale Ave.....</i>		<i>15:50</i>	
51st Ave & Olive Ave.....	7:19	51st Ave & Olive Ave.....		12:27		<i>51st Ave & Olive Ave.....</i>		<i>15:57</i>	
51st Ave & Glendale Ave.....	7:25	ASU West Campus.....		12:38		<i>ASU West Campus.....</i>		<i>16:08</i>	
51st Ave & Camelback Rd.....	7:30								
51st Ave & Thomas Rd.....	7:37	51 / South / 28 / 20163620							
51st Ave & Van Buren St.....	7:45	ASU West Campus.....		13:02					
51st Ave & Lower Buckeye Rd...	7:50	51st Ave & Olive Ave.....		13:14					
51st Ave & Baseline Rd.....	7:57	51st Ave & Glendale Ave.....		13:21					
Vee Quiva Casino.....	8:09	51st Ave & Camelback Rd.....		13:28					
Komatke Health Center.....	8:21	51st Ave & Thomas Rd.....		13:37					
51st Ave & Pecos Rd.....	8:25	51st Ave & Van Buren St.....		13:45					
51 / North / 206 / 20163596									
51st Ave & Pecos Rd.....	8:51								
Vee Quiva Casino.....	9:01								
51st Ave & Baseline Rd.....	9:13								
51st Ave & Lower Buckeye Rd...	9:20								
51st Ave & Van Buren St.....	9:27								
51st Ave & Thomas Rd.....	9:35								
51st Ave & Camelback Rd.....	9:43								
51st Ave & Glendale Ave.....	9:50								
51st Ave & Olive Ave.....	9:57								
ASU West Campus.....	10:07								

Phoenix West

Effective: 01/22/2024

2049
Saturday

Duty Type	Block	Report Time	Start Place	Start Time	End Time	End Place	Clear Time	Paid Time	Seat Time
ST	2049	4:59	WEST	5:04	12:11	44MC	12:41	7h42	6h26
	CAR		44MC	12:11	12:41	WEST			

Sign-on	4:59	17 / West / 127 / 20163752					Travel by		CAR
		Pima Rd & McDowell Rd.....		8:02					
Block	2049	Scottsdale Rd & McDowell Rd....		8:09			Car Pull		
		52nd St & McDowell Rd.....		8:16			44th St & McDowell Rd.....		12:11
Pull Out		44th St & McDowell Rd.....		8:19			West Transit Facility.....		12:41
West Transit Facility.....	5:19	24th St & McDowell Rd.....		8:31					
Pebble Creek Pkwy & McDow	5:39	Central Ave & McDowell Rd.....		8:43			<i>52nd St & McDowell Rd.....</i>		<i>12:14</i>
		19th Ave & McDowell Rd.....		8:51			<i>Scottsdale Rd & McDowell Rd</i>		<i>12:22</i>
17 / East / 132 / 20163738		43rd Ave & McDowell Rd.....		9:06			<i>Pima Rd & McDowell Rd.....</i>		<i>12:30</i>
Pebble Creek Pkwy & McDow	5:39	67th Ave & McDowell Rd.....		9:20					
Litchfield Rd & McDowell Rd....	5:46	83rd Ave & McDowell Rd.....		9:27			17 / West / 127 / 20163759		
99th Ave & McDowell Rd.....	6:01	99th Ave & McDowell Rd.....		9:35			<i>Pima Rd & McDowell Rd.....</i>		<i>13:02</i>
83rd Ave & McDowell Rd.....	6:09	Litchfield Rd & McDowell Rd....		9:50			<i>Scottsdale Rd & McDowell Rd</i>		<i>13:09</i>
67th Ave & McDowell Rd.....	6:16	Pebble Creek Pkwy & McDow		9:57			<i>52nd St & McDowell Rd.....</i>		<i>13:16</i>
43rd Ave & McDowell Rd.....	6:27						<i>44th St & McDowell Rd.....</i>		<i>13:19</i>
19th Ave & McDowell Rd.....	6:39	Deadhead					<i>24th St & McDowell Rd.....</i>		<i>13:31</i>
Central Ave & McDowell Rd.....	6:47	Pebble Creek Pkwy & McDow		9:57			<i>Central Ave & McDowell Rd....</i>		<i>13:43</i>
24th St & McDowell Rd.....	6:57	Pebble Creek Pkwy & McDow		10:04			<i>19th Ave & McDowell Rd.....</i>		<i>13:51</i>
44th St & McDowell Rd.....	7:08						<i>43rd Ave & McDowell Rd.....</i>		<i>14:06</i>
52nd St & McDowell Rd.....	7:11	17 / East / 132 / 20163744					<i>67th Ave & McDowell Rd.....</i>		<i>14:20</i>
Scottsdale Rd & McDowell Rd....	7:19	Pebble Creek Pkwy & McDow		10:32			<i>83rd Ave & McDowell Rd.....</i>		<i>14:27</i>
Pima Rd & McDowell Rd.....	7:27	Litchfield Rd & McDowell Rd....		10:39			<i>99th Ave & McDowell Rd.....</i>		<i>14:35</i>
		99th Ave & McDowell Rd.....		10:54			<i>Litchfield Rd & McDowell Rd...</i>		<i>14:50</i>
Deadhead		83rd Ave & McDowell Rd.....		11:02			<i>Pebble Creek Pkwy & McDow</i>		<i>14:57</i>
Pima Rd & McDowell Rd.....	7:27	67th Ave & McDowell Rd.....		11:09					
Pima Rd & McDowell Rd.....	7:34	43rd Ave & McDowell Rd.....		11:22					
		19th Ave & McDowell Rd.....		11:37					
		Central Ave & McDowell Rd.....		11:47					
		24th St & McDowell Rd.....		11:59					
		44th St & McDowell Rd.....		12:11					

Phoenix West

Effective: 01/22/2024

2050
Saturday

Duty Type	Block	Report Time	Start Place	Start Time	End Time	End Place	Clear Time	Paid Time	Seat Time
ST	2050	5:00	WEST	5:05	14:59	75BU	15:09	10h09	7h02
	CAR		75BU	14:59	15:09	WEST	15:09		

Sign-on	5:00	Deadhead			Deadhead				
		75th Ave & Buckeye Rd.....		8:54	75th Ave & Buckeye Rd.....			12:55	
Block	2050	75th Ave & Buckeye Rd.....		8:58	75th Ave & Buckeye Rd.....			12:59	
Pull Out		13 / East / 36 / 20164050			13 / East / 36 / 20164024				
West Transit Facility.....	5:20	75th Ave & Buckeye Rd.....		9:30	75th Ave & Buckeye Rd.....			13:30	
75th Ave & Buckeye Rd.....	5:30	59th Ave & Buckeye Rd.....		9:34	59th Ave & Buckeye Rd.....			13:34	
		43rd Ave & Buckeye Rd.....		9:39	43rd Ave & Buckeye Rd.....			13:39	
		19th Ave & Buckeye Rd.....		9:49	19th Ave & Buckeye Rd.....			13:49	
		Central Ave & Buckeye Rd.....		9:55	Central Ave & Buckeye Rd.....			13:55	
		16th St & Buckeye Rd.....		10:00	16th St & Buckeye Rd.....			14:00	
		Sky Harbor West.....		10:07	Sky Harbor West.....			14:07	
		13 / West / 120 / 20163555			13 / West / 120 / 20163557				
		Sky Harbor West.....		10:15	Sky Harbor West.....			14:15	
		16th St & Buckeye Rd.....		10:21	16th St & Buckeye Rd.....			14:22	
		Central Ave & Buckeye Rd.....		10:26	Central Ave & Buckeye Rd.....			14:27	
		19th Ave & Buckeye Rd.....		10:33	19th Ave & Buckeye Rd.....			14:33	
		43rd Ave & Buckeye Rd.....		10:43	43rd Ave & Buckeye Rd.....			14:43	
		59th Ave & Buckeye Rd.....		10:48	59th Ave & Buckeye Rd.....			14:49	
		75th Ave & Buckeye Rd.....		10:54	75th Ave & Buckeye Rd.....			14:55	
		Deadhead			Deadhead				
		75th Ave & Buckeye Rd.....		10:54	75th Ave & Buckeye Rd.....			14:55	
		75th Ave & Buckeye Rd.....		10:58	75th Ave & Buckeye Rd.....			14:59	
Deadhead		13 / East / 36 / 20164053			Travel by			CAR	
75th Ave & Buckeye Rd.....	6:54	75th Ave & Buckeye Rd.....		11:30	Car Pull				
75th Ave & Buckeye Rd.....	6:58	59th Ave & Buckeye Rd.....		11:34	75th Ave & Buckeye Rd.....			14:59	
		43rd Ave & Buckeye Rd.....		11:39	West Transit Facility.....			15:09	
		19th Ave & Buckeye Rd.....		11:49					
		Central Ave & Buckeye Rd.....		11:55	13 / East / 36 / 20164030				
		16th St & Buckeye Rd.....		12:00	<i>75th Ave & Buckeye Rd.....</i>			<i>15:30</i>	
		Sky Harbor West.....		12:07	<i>59th Ave & Buckeye Rd.....</i>			<i>15:34</i>	
		13 / West / 120 / 20163559			<i>43rd Ave & Buckeye Rd.....</i>			<i>15:39</i>	
		Sky Harbor West.....		12:15	<i>19th Ave & Buckeye Rd.....</i>			<i>15:49</i>	
		16th St & Buckeye Rd.....		12:22	<i>Central Ave & Buckeye Rd.....</i>			<i>15:55</i>	
		Central Ave & Buckeye Rd.....		12:27	<i>16th St & Buckeye Rd.....</i>			<i>16:00</i>	
		19th Ave & Buckeye Rd.....		12:33	<i>Sky Harbor West.....</i>			<i>16:07</i>	
		43rd Ave & Buckeye Rd.....		12:43					
		59th Ave & Buckeye Rd.....		12:49					
		75th Ave & Buckeye Rd.....		12:55					
		13 / West / 120 / 20163553							
Sky Harbor West.....	8:15								
16th St & Buckeye Rd.....	8:21								
Central Ave & Buckeye Rd.....	8:26								
19th Ave & Buckeye Rd.....	8:33								
43rd Ave & Buckeye Rd.....	8:43								
59th Ave & Buckeye Rd.....	8:48								
75th Ave & Buckeye Rd.....	8:54								

Phoenix West

Effective: 01/22/2024

2051
Saturday

Duty Type	Block	Report Time	Start Place	Start Time	End Time	End Place	Clear Time	Paid Time	Seat Time
ST	2051	5:00	WEST	5:05	14:15	83VB	14:22	9h22	7h27
	CAR		83VB	14:15	14:22	WEST			

Sign-on	5:00	3 / East / 86 / 20163930				3 / West / 104 / 20163911			
		83rd Ave & Van Buren St.....	8:25			Phoenix Zoo.....			13:01
Block	2051	67th Ave & Van Buren St.....	8:30			Galvin Pkwy & Van Buren St.....			13:04
		51st Ave & Van Buren St.....	8:39			44th St & Van Buren St.....			13:10
Pull Out		35th Ave & Van Buren St.....	8:48			24th St & Van Buren St.....			13:18
West Transit Facility.....	5:20	19th Ave & Van Buren St.....	8:56			2nd Ave & Van Buren St.....			13:30
83rd Ave & Van Buren St.....	5:25	Central Ave & Van Buren St.....	9:05			19th Ave & Van Buren St.....			13:38
		24th St & Van Buren St.....	9:16			35th Ave & Van Buren St.....			13:47
		44th St & Van Buren St.....	9:25			51st Ave & Van Buren St.....			13:56
3 / East / 86 / 20164293		Galvin Pkwy & Van Buren St.....	9:32			67th Ave & Van Buren St.....			14:03
83rd Ave & Van Buren St.....	5:25	Phoenix Zoo.....	9:36			83rd Ave & Van Buren St.....			14:11
67th Ave & Van Buren St.....	5:30								
51st Ave & Van Buren St.....	5:39								
35th Ave & Van Buren St.....	5:48	3 / West / 104 / 20163908				Deadhead			
19th Ave & Van Buren St.....	5:56	Phoenix Zoo.....	10:01			83rd Ave & Van Buren St.....			14:11
Central Ave & Van Buren St.....	6:05	Galvin Pkwy & Van Buren St.....	10:04			83rd Ave & Van Buren St.....			14:15
24th St & Van Buren St.....	6:16	44th St & Van Buren St.....	10:10						
44th St & Van Buren St.....	6:25	24th St & Van Buren St.....	10:18			Travel by			CAR
Galvin Pkwy & Van Buren St.....	6:32	2nd Ave & Van Buren St.....	10:30						
Phoenix Zoo.....	6:36	19th Ave & Van Buren St.....	10:38			Car Pull			
		35th Ave & Van Buren St.....	10:47			83rd Ave & Van Buren St.....			14:15
		51st Ave & Van Buren St.....	10:56			West Transit Facility.....			14:22
3 / West / 104 / 20163907		67th Ave & Van Buren St.....	11:03						
Phoenix Zoo.....	7:01	83rd Ave & Van Buren St.....	11:11			3 / East / 86 / 20163944			
Galvin Pkwy & Van Buren St.....	7:04					83rd Ave & Van Buren St.....			14:25
44th St & Van Buren St.....	7:10					67th Ave & Van Buren St.....			14:30
24th St & Van Buren St.....	7:18	Deadhead				51st Ave & Van Buren St.....			14:39
2nd Ave & Van Buren St.....	7:30	83rd Ave & Van Buren St.....	11:11			35th Ave & Van Buren St.....			14:48
19th Ave & Van Buren St.....	7:38	83rd Ave & Van Buren St.....	11:15			19th Ave & Van Buren St.....			14:56
35th Ave & Van Buren St.....	7:47					Central Ave & Van Buren St....			15:05
51st Ave & Van Buren St.....	7:56	3 / East / 86 / 20163936				24th St & Van Buren St.....			15:16
67th Ave & Van Buren St.....	8:03	83rd Ave & Van Buren St.....	11:25			44th St & Van Buren St.....			15:25
83rd Ave & Van Buren St.....	8:11	67th Ave & Van Buren St.....	11:30			Galvin Pkwy & Van Buren St...			15:32
		51st Ave & Van Buren St.....	11:39			Phoenix Zoo.....			15:36
Deadhead		35th Ave & Van Buren St.....	11:48						
83rd Ave & Van Buren St.....	8:11	19th Ave & Van Buren St.....	11:56						
83rd Ave & Van Buren St.....	8:15	Central Ave & Van Buren St.....	12:05						
		24th St & Van Buren St.....	12:16						
		44th St & Van Buren St.....	12:25						
		Galvin Pkwy & Van Buren St.....	12:32						
		Phoenix Zoo.....	12:36						

Phoenix West

Effective: 01/22/2024

2052
Saturday

Duty Type	Block	Report Time	Start Place	Start Time	End Time	End Place	Clear Time	Paid Time	Seat Time
ST	2052	5:01	WEST	5:06	14:41	44MC	15:11	10h10	8h31
	CAR		44MC	14:41	15:11	WEST			

Sign-on	5:01	Deadhead	Deadhead
		99th Ave & McDowell Rd.....	9:05 99th Ave & McDowell Rd..... 13:05
Block	2052	99th Ave & McDowell Rd.....	9:12 99th Ave & McDowell Rd..... 13:12
<hr/>			
Pull Out		17 / East / 132 / 20163727	17 / East / 132 / 20163731
West Transit Facility.....	5:21	99th Ave & McDowell Rd.....	9:24 99th Ave & McDowell Rd..... 13:24
99th Ave & McDowell Rd.....	5:31	83rd Ave & McDowell Rd.....	9:32 83rd Ave & McDowell Rd..... 13:32
		67th Ave & McDowell Rd.....	9:39 67th Ave & McDowell Rd..... 13:39
		43rd Ave & McDowell Rd.....	9:52 43rd Ave & McDowell Rd..... 13:52
17 / East / 132 / 20163723		19th Ave & McDowell Rd.....	10:07 19th Ave & McDowell Rd..... 14:07
99th Ave & McDowell Rd.....	5:31	Central Ave & McDowell Rd.....	10:17 Central Ave & McDowell Rd..... 14:17
83rd Ave & McDowell Rd.....	5:39	24th St & McDowell Rd.....	10:29 24th St & McDowell Rd..... 14:29
67th Ave & McDowell Rd.....	5:46	44th St & McDowell Rd.....	10:41 44th St & McDowell Rd..... 14:41
43rd Ave & McDowell Rd.....	5:57	52nd St & McDowell Rd.....	10:44
19th Ave & McDowell Rd.....	6:09	Scottsdale Rd & McDowell Rd....	10:52
Central Ave & McDowell Rd.....	6:17	Pima Rd & McDowell Rd.....	11:00
24th St & McDowell Rd.....	6:27		
44th St & McDowell Rd.....	6:37	Deadhead	Car Pull
52nd St & McDowell Rd.....	6:40	Pima Rd & McDowell Rd.....	44th St & McDowell Rd..... 14:41
Scottsdale Rd & McDowell Rd....	6:47	Pima Rd & McDowell Rd.....	West Transit Facility..... 15:11
Pima Rd & McDowell Rd.....	6:55		
		17 / West / 253 / 20163771	52nd St & McDowell Rd..... 14:44
Deadhead		Pima Rd & McDowell Rd.....	Scottsdale Rd & McDowell Rd 14:52
Pima Rd & McDowell Rd.....	6:55	Scottsdale Rd & McDowell Rd....	Pima Rd & McDowell Rd..... 15:00
Pima Rd & McDowell Rd.....	7:02	52nd St & McDowell Rd.....	
		44th St & McDowell Rd.....	17 / West / 253 / 20163775
17 / West / 253 / 20163767		24th St & McDowell Rd.....	Pima Rd & McDowell Rd..... 15:32
Pima Rd & McDowell Rd.....	7:32	Central Ave & McDowell Rd.....	Scottsdale Rd & McDowell Rd 15:39
Scottsdale Rd & McDowell Rd....	7:39	19th Ave & McDowell Rd.....	52nd St & McDowell Rd..... 15:46
52nd St & McDowell Rd.....	7:46	43rd Ave & McDowell Rd.....	44th St & McDowell Rd..... 15:49
44th St & McDowell Rd.....	7:49	67th Ave & McDowell Rd.....	24th St & McDowell Rd..... 16:01
24th St & McDowell Rd.....	8:01	83rd Ave & McDowell Rd.....	Central Ave & McDowell Rd.... 16:13
Central Ave & McDowell Rd.....	8:13	99th Ave & McDowell Rd.....	19th Ave & McDowell Rd..... 16:21
19th Ave & McDowell Rd.....	8:21		43rd Ave & McDowell Rd..... 16:36
43rd Ave & McDowell Rd.....	8:36		67th Ave & McDowell Rd..... 16:50
67th Ave & McDowell Rd.....	8:50		83rd Ave & McDowell Rd..... 16:57
83rd Ave & McDowell Rd.....	8:57		99th Ave & McDowell Rd..... 17:05
99th Ave & McDowell Rd.....	9:05		

Phoenix West

Effective: 01/22/2024

2053

Saturday

Duty Type	Block	Report Time	Start Place	Start Time	End Time	End Place	Clear Time	Paid Time	Seat Time
ST	2053 CAR	5:09	WEST 67VB	5:14 13:32	13:32 13:44	67VB WEST	13:44	8h35	6h13

Sign-on	5:09	Deadhead	67 / North / 108 / 20163515
		Arrowhead Mall North.....	8:23
Block	2053	Arrowhead Mall Layover.....	8:25
			67th Ave & Van Buren St..... 11:23
			67th Ave & Thomas Rd..... 11:32
Pull Out		Deadhead	67th Ave & Camelback Rd..... 11:40
West Transit Facility.....	5:29	Arrowhead Mall Layover.....	9:00
67th Ave & Camelback Rd.....	5:45	Arrowhead Mall North.....	9:02
			67th Ave & Glendale Ave..... 11:50
			67th Ave & Olive Ave..... 11:56
			67th Ave & Thunderbird Rd..... 12:06
			67th Ave & Union Hills Dr..... 12:16
67 / South / 254 / 20164320		83 / South / 155 / 20164173	
67th Ave & Camelback Rd.....	5:45	Arrowhead Mall North.....	9:02
67th Ave & Thomas Rd.....	5:52	83rd Ave & Thunderbird Rd.....	9:12
67th Ave & Van Buren St.....	6:00	83rd Ave & Peoria Ave.....	9:18
Sierra Linda HS-South.....	6:08	83rd Ave & Glendale Ave.....	9:30
		83rd Ave & Camelback Rd.....	9:35
		Desert Sky TC.....	9:41
Deadhead		83rd Ave & Van Buren St.....	9:50
Sierra Linda HS-South.....	6:08		
75th Ave & Lower Buckeye Rd	6:13		
		Deadhead	67 / South / 254 / 20163530
			67th Ave & Union Hills Dr..... 12:39
			67th Ave & Thunderbird Rd..... 12:50
			67th Ave & Olive Ave..... 12:59
75 / North / 147 / 20163798		83rd Ave & Van Buren St.....	9:50
75th Ave & Lower Buckeye Rd	6:25	83rd Ave & Van Buren St.....	9:54
75th Ave & Van Buren St.....	6:30		
Desert Sky TC.....	6:38	83 / North / 153 / 20163834	
75th Ave & Camelback Rd.....	6:47	83rd Ave & Van Buren St.....	10:03
		Desert Sky TC.....	10:12
		83rd Ave & Camelback Rd.....	10:22
Deadhead			
75th Ave & Camelback Rd.....	6:47		
83rd Ave & Camelback Rd.....	6:50	Deadhead	67th Ave & Van Buren St..... 13:32
		83rd Ave & Camelback Rd.....	10:22
		75th Ave & Camelback Rd.....	10:25
83 / South / 155 / 20163815			
83rd Ave & Camelback Rd.....	7:05		
Desert Sky TC.....	7:11	75 / South / 149 / 20163785	
83rd Ave & Van Buren St.....	7:20	75th Ave & Camelback Rd.....	10:30
		Desert Sky TC.....	10:38
		75th Ave & Van Buren St.....	10:49
Deadhead		75th Ave & Lower Buckeye Rd	10:53
83rd Ave & Van Buren St.....	7:20		
83rd Ave & Van Buren St.....	7:24		
		Deadhead	75th Ave & Lower Buckeye Rd 11:11
83 / North / 183 / 20164211		Sierra Linda HS-North.....	11:16
83rd Ave & Van Buren St.....	7:34		
Desert Sky TC.....	7:42		
83rd Ave & Camelback Rd.....	7:51		
83rd Ave & Glendale Ave.....	7:56		
83rd Ave & Peoria Ave.....	8:07		
83rd Ave & Thunderbird Rd.....	8:13		
Arrowhead Mall North.....	8:23		

Travel by CAR

Car Pull
67th Ave & Van Buren St..... 13:32
West Transit Facility..... 13:44

Sierra Linda HS-South..... 13:41

75 / North / 147 / 20164158
 75th Ave & Lower Buckeye Rd 13:55
 75th Ave & Van Buren St..... 14:01
 Desert Sky TC..... 14:13
 75th Ave & Camelback Rd..... 14:23

Phoenix West

Effective: 01/22/2024

2054

Saturday

Duty Type	Block	Report Time	Start Place	Start Time	End Time	End Place	Clear Time	Paid Time	Seat Time
ST	2054 CAR	5:13	WEST 107I-E	5:18 14:26	14:26 14:43	107I-E WEST	14:43	9h30	7h24

Sign-on	5:13	Deadhead				41 / West / 724 / 20163699			
		107th Ave & Indian School Rd.		9:36		Granite Reef Rd & Indian Sch			12:26
Block	2054	107th Ave & Indian School Rd.		9:42		Scottsdale Rd & Indian School			12:31
						56th St & Indian School Rd.....			12:38
Pull Out		41 / East / 172 / 20163674				44th St & Indian School Rd.....			12:42
West Transit Facility.....	5:33	107th Ave & Indian School Rd.		10:12		32nd St & Indian School Rd.....			12:48
107th Ave & Indian School Rd.	5:48	83rd Ave & Indian School Rd.....		10:20		24th St & Indian School Rd.....			12:53
		59th Ave & Indian School Rd.....		10:31		Central Ave & Indian School Rd.			13:05
		43rd Ave & Indian School Rd.....		10:40		Central Ave & Indian School Rd.			13:09
41 / East / 172 / 20163663		19th Ave & Indian School Rd.....		10:54		19th Ave & Indian School Rd.....			13:17
107th Ave & Indian School Rd.	5:48	Central Ave & Indian School Rd.		11:03		43rd Ave & Indian School Rd.....			13:33
83rd Ave & Indian School Rd.....	5:56	Central Ave & Indian School Rd.		11:07		59th Ave & Indian School Rd.....			13:42
59th Ave & Indian School Rd.....	6:05	24th St & Indian School Rd.....		11:21		83rd Ave & Indian School Rd.....			13:54
43rd Ave & Indian School Rd.....	6:14	32nd St & Indian School Rd.....		11:25		107th Ave & Indian School Rd.			14:06
19th Ave & Indian School Rd.....	6:26	44th St & Indian School Rd.....		11:32					
Central Ave & Indian School Rd.	6:33	56th St & Indian School Rd.....		11:35		Deadhead			
Central Ave & Indian School Rd.	6:37	Scottsdale Rd & Indian School		11:42		107th Ave & Indian School Rd.			14:06
24th St & Indian School Rd.....	6:47	Granite Reef Rd & Indian Sch		11:50		107th Ave & Indian School Rd.			14:12
32nd St & Indian School Rd.....	6:50								
44th St & Indian School Rd.....	6:57	Deadhead				Travel by			CAR
56th St & Indian School Rd.....	7:00	Granite Reef Rd & Indian Sch		11:50					
Scottsdale Rd & Indian School	7:07	Pima Rd & Chaparral Rd.....		11:54		Car Pull			
Granite Reef Rd & Indian Sch	7:14					107th Ave & Indian School Rd.			14:26
		Deadhead				West Transit Facility.....			14:43
Deadhead		Pima Rd & Chaparral Rd.....		12:22					
Granite Reef Rd & Indian Sch	7:14	Granite Reef Rd & Indian Sch		12:26		41 / East / 172 / 20163669			
Pima Rd & Chaparral Rd.....	7:18					<i>107th Ave & Indian School Rd.</i>			<i>14:40</i>
						<i>83rd Ave & Indian School Rd..</i>			<i>14:48</i>
Deadhead						<i>59th Ave & Indian School Rd...</i>			<i>14:59</i>
Pima Rd & Chaparral Rd.....	7:52					<i>43rd Ave & Indian School Rd..</i>			<i>15:08</i>
Granite Reef Rd & Indian Sch	7:56					<i>19th Ave & Indian School Rd...</i>			<i>15:24</i>
						<i>Central Ave & Indian School R</i>			<i>15:33</i>
41 / West / 724 / 20163705						<i>Central Ave & Indian School R</i>			<i>15:37</i>
Granite Reef Rd & Indian Sch	7:56					<i>24th St & Indian School Rd.....</i>			<i>15:51</i>
Scottsdale Rd & Indian School	8:01					<i>32nd St & Indian School Rd....</i>			<i>15:55</i>
56th St & Indian School Rd.....	8:08					<i>44th St & Indian School Rd.....</i>			<i>16:02</i>
44th St & Indian School Rd.....	8:12					<i>56th St & Indian School Rd.....</i>			<i>16:05</i>
32nd St & Indian School Rd.....	8:18					<i>Scottsdale Rd & Indian Schoo</i>			<i>16:12</i>
24th St & Indian School Rd.....	8:23					<i>Granite Reef Rd & Indian Sch</i>			<i>16:20</i>
Central Ave & Indian School Rd.	8:35								
Central Ave & Indian School Rd.	8:39								
19th Ave & Indian School Rd.....	8:47								
43rd Ave & Indian School Rd.....	9:03								
59th Ave & Indian School Rd.....	9:12								
83rd Ave & Indian School Rd.....	9:24								
107th Ave & Indian School Rd.	9:36								

Phoenix West

Effective: 01/22/2024

2055

Saturday

Duty Type	Block	Report Time	Start Place	Start Time	End Time	End Place	Clear Time	Paid Time	Seat Time
ST	2055 CAR	5:16	WEST DSTC	5:21 13:42	13:42 13:56	DSTC WEST	13:56	8h40	6h22

Sign-on	5:16	Deadhead				Deadhead			
		67th Ave & Union Hills Dr.....		9:15		75th Ave & Camelback Rd.....		12:52	
Block	2055	67th Ave & Union Hills Dr.....		9:20		83rd Ave & Camelback Rd.....		12:55	
Pull Out		67 / South / 254 / 20163527				83 / South / 155 / 20163822			
West Transit Facility.....	5:36	67th Ave & Union Hills Dr.....		9:40		83rd Ave & Camelback Rd.....		13:02	
Arrowhead Mall North.....	6:03	67th Ave & Thunderbird Rd.....		9:50		Desert Sky TC.....		13:11	
		67th Ave & Olive Ave.....		9:59		83rd Ave & Van Buren St.....		13:21	
83 / South / 155 / 20164180		67th Ave & Glendale Ave.....		10:06					
Arrowhead Mall North.....	6:03	67th Ave & Camelback Rd.....		10:15		Deadhead			
83rd Ave & Thunderbird Rd.....	6:13	67th Ave & Thomas Rd.....		10:22		83rd Ave & Van Buren St.....		13:21	
83rd Ave & Peoria Ave.....	6:19	67th Ave & Van Buren St.....		10:30		83rd Ave & Van Buren St.....		13:25	
83rd Ave & Glendale Ave.....	6:30	Sierra Linda HS-South.....		10:38					
83rd Ave & Camelback Rd.....	6:35					83 / North / 183 / 20164166			
Desert Sky TC.....	6:41	Deadhead				83rd Ave & Van Buren St.....		13:33	
83rd Ave & Van Buren St.....	6:49	Sierra Linda HS-South.....		10:38		Desert Sky TC.....		13:42	
		75th Ave & Lower Buckeye Rd		10:43					
Deadhead						Travel by		CAR	
83rd Ave & Van Buren St.....	6:49	75 / North / 147 / 20164164				Car Pull			
83rd Ave & Van Buren St.....	6:53	75th Ave & Lower Buckeye Rd		10:55		Desert Sky TC.....		13:42	
		75th Ave & Van Buren St.....		11:00		West Transit Facility.....		13:56	
83 / North / 153 / 20163829		Desert Sky TC.....		11:11					
83rd Ave & Van Buren St.....	7:04	75th Ave & Camelback Rd.....		11:20		83rd Ave & Camelback Rd.....		13:52	
Desert Sky TC.....	7:12					83rd Ave & Glendale Ave.....		13:57	
83rd Ave & Camelback Rd.....	7:21	Deadhead				83rd Ave & Peoria Ave.....		14:09	
		75th Ave & Camelback Rd.....		11:20		83rd Ave & Thunderbird Rd.....		14:15	
Deadhead		67th Ave & Camelback Rd.....		11:23		Arrowhead Mall North.....		14:26	
83rd Ave & Camelback Rd.....	7:21								
75th Ave & Camelback Rd.....	7:24	67 / South / 254 / 20164148				83 / South / 155 / 20164204			
		67th Ave & Camelback Rd.....		11:45		Arrowhead Mall North.....		14:58	
75 / South / 149 / 20163784		67th Ave & Thomas Rd.....		11:52		83rd Ave & Thunderbird Rd.....		15:09	
75th Ave & Camelback Rd.....	7:30	67th Ave & Van Buren St.....		12:00		83rd Ave & Peoria Ave.....		15:15	
Desert Sky TC.....	7:38	Sierra Linda HS-South.....		12:08		83rd Ave & Glendale Ave.....		15:28	
75th Ave & Van Buren St.....	7:49					83rd Ave & Camelback Rd.....		15:33	
75th Ave & Lower Buckeye Rd	7:53	Deadhead				Desert Sky TC.....		15:41	
		Sierra Linda HS-South.....		12:08		83rd Ave & Van Buren St.....		15:51	
Deadhead		75th Ave & Lower Buckeye Rd		12:13					
75th Ave & Lower Buckeye Rd	8:13								
Sierra Linda HS-North.....	8:18	75 / North / 147 / 20163804							
		75th Ave & Lower Buckeye Rd		12:25					
67 / North / 108 / 20163511		75th Ave & Van Buren St.....		12:30					
Sierra Linda HS-North.....	8:18	Desert Sky TC.....		12:42					
67th Ave & Van Buren St.....	8:25	75th Ave & Camelback Rd.....		12:52					
67th Ave & Thomas Rd.....	8:33								
67th Ave & Camelback Rd.....	8:40								
67th Ave & Glendale Ave.....	8:49								
67th Ave & Olive Ave.....	8:55								
67th Ave & Thunderbird Rd.....	9:05								
67th Ave & Union Hills Dr.....	9:15								

Phoenix West

Effective: 01/22/2024

2056
Saturday

Duty Type	Block	Report Time	Start Place	Start Time	End Time	End Place	Clear Time	Paid Time	Seat Time
ST	2056 CAR	5:20	WEST 51HD	5:25 13:20	13:20 13:31	51HD WEST	13:31	8h11	6h14

Sign-on	5:20	59 / South / 220 / 20163656				59 / South / 220 / 20163626			
		59th Ave & Beardsley Rd.....	9:18	59th Ave & Beardsley Rd.....	12:13				
Block	2056	59th Ave & Bell Rd.....	9:23	59th Ave & Bell Rd.....	12:19				
		59th Ave & Thunderbird Rd.....	9:30	59th Ave & Thunderbird Rd.....	12:26				
Pull Out		59th Ave & Olive Ave.....	9:41	59th Ave & Olive Ave.....	12:38				
West Transit Facility.....	5:40	59th Ave & Glendale Ave.....	9:49	59th Ave & Glendale Ave.....	12:48				
59th Ave & Beardsley Rd.....	6:18	59th Ave & Camelback Rd.....	9:57	59th Ave & Camelback Rd.....	12:57				
		59th Ave & Thomas Rd.....	10:04	59th Ave & Thomas Rd.....	13:04				
59 / South / 220 / 20163646		59th Ave & Van Buren St.....	10:13	59th Ave & Van Buren St.....	13:13				
59th Ave & Beardsley Rd.....	6:18	59th Ave & Buckeye Rd.....	10:16	59th Ave & Buckeye Rd.....	13:16				
59th Ave & Bell Rd.....	6:23								
59th Ave & Thunderbird Rd.....	6:30	Deadhead		Deadhead					
59th Ave & Olive Ave.....	6:41	59th Ave & Buckeye Rd.....	10:16	59th Ave & Buckeye Rd.....	13:16				
59th Ave & Glendale Ave.....	6:49	51st Ave & Hadley St.....	10:20	51st Ave & Hadley St.....	13:20				
59th Ave & Camelback Rd.....	6:57								
59th Ave & Thomas Rd.....	7:04	Deadhead		Travel by	CAR				
59th Ave & Van Buren St.....	7:12	51st Ave & Hadley St.....	10:51						
59th Ave & Buckeye Rd.....	7:15	59th Ave & Buckeye Rd.....	10:55	Car Pull					
				51st Ave & Hadley St.....	13:20				
Deadhead		59 / North / 830 / 20163639		West Transit Facility.....	13:31				
59th Ave & Buckeye Rd.....	7:15	59th Ave & Buckeye Rd.....	10:55						
51st Ave & Hadley St.....	7:19	59th Ave & Van Buren St.....	10:57	59 / North / 830 / 20163627					
		59th Ave & Thomas Rd.....	11:05	59th Ave & Buckeye Rd.....	13:53				
Deadhead		59th Ave & Camelback Rd.....	11:13	59th Ave & Van Buren St.....	13:55				
51st Ave & Hadley St.....	7:51	59th Ave & Glendale Ave.....	11:23	59th Ave & Thomas Rd.....	14:04				
59th Ave & Buckeye Rd.....	7:55	59th Ave & Olive Ave.....	11:32	59th Ave & Camelback Rd.....	14:13				
		59th Ave & Thunderbird Rd.....	11:44	59th Ave & Glendale Ave.....	14:23				
59 / North / 830 / 20163648		59th Ave & Bell Rd.....	11:51	59th Ave & Olive Ave.....	14:33				
59th Ave & Buckeye Rd.....	7:55	59th Ave & Beardsley Rd.....	11:59	59th Ave & Thunderbird Rd.....	14:45				
59th Ave & Van Buren St.....	7:57			59th Ave & Bell Rd.....	14:52				
59th Ave & Thomas Rd.....	8:05			59th Ave & Beardsley Rd.....	15:01				
59th Ave & Camelback Rd.....	8:13								
59th Ave & Glendale Ave.....	8:23								
59th Ave & Olive Ave.....	8:32								
59th Ave & Thunderbird Rd.....	8:43								
59th Ave & Bell Rd.....	8:50								
59th Ave & Beardsley Rd.....	8:58								

Phoenix West

Effective: 01/22/2024

2057
Saturday

Duty Type	Block	Report Time	Start Place	Start Time	End Time	End Place	Clear Time	Paid Time	Seat Time
ST	2057	5:26	WEST	5:31	11:43	DSTC			
	CAR		DSTC	11:43	11:57	WEST	11:57	6h31	5h37

Sign-on	5:26	MARY / ClkWs / 786 / 20164349				Travel by			CAR
		Desert Sky TC		8:00					
Block	2057	59th Ave & Thomas Rd.....		8:13		Car Pull			
		67th Ave & Campbell Ave.....		8:24		Desert Sky TC		11:43	
Pull Out		51st Ave & Indian School Rd.....		8:35		West Transit Facility		11:57	
West Transit Facility	5:46	55th Ave & Encanto Blvd.....		8:49					
Desert Sky TC	6:00	63rd Ave & Fillmore St.....		8:58		MARY / ClkWs / 786 / 20164353			
		75th Ave & Encanto Blvd.....		9:12		<i>Desert Sky TC</i>		12:00	
MARY / ClkWs / 786 / 20164347		83rd Ave & Osborn Rd.....		9:30		59th Ave & Thomas Rd.....		12:13	
Desert Sky TC	6:00	Desert Sky TC		9:43		67th Ave & Campbell Ave.....		12:24	
59th Ave & Thomas Rd.....	6:13					51st Ave & Indian School Rd...		12:35	
67th Ave & Campbell Ave.....	6:24	MARY / ClkWs / 786 / 20164351				55th Ave & Encanto Blvd.....		12:49	
51st Ave & Indian School Rd.....	6:35	Desert Sky TC		10:00		63rd Ave & Fillmore St.....		12:58	
55th Ave & Encanto Blvd.....	6:49	59th Ave & Thomas Rd.....		10:13		75th Ave & Encanto Blvd.....		13:12	
63rd Ave & Fillmore St.....	6:58	67th Ave & Campbell Ave.....		10:24		83rd Ave & Osborn Rd.....		13:30	
75th Ave & Encanto Blvd.....	7:12	51st Ave & Indian School Rd.....		10:35		<i>Desert Sky TC</i>		13:43	
83rd Ave & Osborn Rd.....	7:30	55th Ave & Encanto Blvd.....		10:49					
Desert Sky TC	7:43	63rd Ave & Fillmore St.....		10:58					
		75th Ave & Encanto Blvd.....		11:12					
		83rd Ave & Osborn Rd.....		11:30					
		Desert Sky TC		11:43					

Phoenix West

Effective: 01/22/2024

2058

Saturday

Duty Type	Block	Report Time	Start Place	Start Time	End Time	End Place	Clear Time	Paid Time	Seat Time
ST	2058	5:30	WEST	5:35	15:29	75BU			
	CAR		75BU	15:29	15:39	WEST	15:39	10h09	7h02

Sign-on	5:30	Deadhead			Deadhead				
		75th Ave & Buckeye Rd.....		9:24	75th Ave & Buckeye Rd.....			13:25	
Block	2058	75th Ave & Buckeye Rd.....		9:28	75th Ave & Buckeye Rd.....			13:29	
Pull Out		13 / East / 36 / 20163540			13 / East / 36 / 20163544				
West Transit Facility.....	5:50	75th Ave & Buckeye Rd.....		10:00	75th Ave & Buckeye Rd.....			14:00	
75th Ave & Buckeye Rd.....	6:00	59th Ave & Buckeye Rd.....		10:04	59th Ave & Buckeye Rd.....			14:04	
		43rd Ave & Buckeye Rd.....		10:09	43rd Ave & Buckeye Rd.....			14:09	
		19th Ave & Buckeye Rd.....		10:19	19th Ave & Buckeye Rd.....			14:19	
		Central Ave & Buckeye Rd.....		10:25	Central Ave & Buckeye Rd.....			14:25	
		16th St & Buckeye Rd.....		10:30	16th St & Buckeye Rd.....			14:30	
		Sky Harbor West.....		10:37	Sky Harbor West.....			14:37	
		13 / West / 120 / 20163995			13 / West / 120 / 20163979				
		Sky Harbor West.....		10:45	Sky Harbor West.....			14:45	
		16th St & Buckeye Rd.....		10:51	16th St & Buckeye Rd.....			14:52	
		Central Ave & Buckeye Rd.....		10:56	Central Ave & Buckeye Rd.....			14:57	
		19th Ave & Buckeye Rd.....		11:03	19th Ave & Buckeye Rd.....			15:03	
		43rd Ave & Buckeye Rd.....		11:13	43rd Ave & Buckeye Rd.....			15:13	
		59th Ave & Buckeye Rd.....		11:18	59th Ave & Buckeye Rd.....			15:19	
		75th Ave & Buckeye Rd.....		11:24	75th Ave & Buckeye Rd.....			15:25	
		Deadhead			Deadhead				
		75th Ave & Buckeye Rd.....		11:24	75th Ave & Buckeye Rd.....			15:25	
		75th Ave & Buckeye Rd.....		11:28	75th Ave & Buckeye Rd.....			15:29	
Deadhead		13 / East / 36 / 20163542			Travel by				CAR
75th Ave & Buckeye Rd.....	7:24	75th Ave & Buckeye Rd.....		12:00	Car Pull				
75th Ave & Buckeye Rd.....	7:28	59th Ave & Buckeye Rd.....		12:04	75th Ave & Buckeye Rd.....			15:29	
		43rd Ave & Buckeye Rd.....		12:09	West Transit Facility.....			15:39	
		19th Ave & Buckeye Rd.....		12:19					
		Central Ave & Buckeye Rd.....		12:25	13 / East / 36 / 20163546				
		16th St & Buckeye Rd.....		12:30	<i>75th Ave & Buckeye Rd.....</i>			<i>16:00</i>	
		Sky Harbor West.....		12:37	<i>59th Ave & Buckeye Rd.....</i>			<i>16:04</i>	
		13 / West / 120 / 20163980			<i>43rd Ave & Buckeye Rd.....</i>			<i>16:09</i>	
		Sky Harbor West.....		12:45	<i>19th Ave & Buckeye Rd.....</i>			<i>16:19</i>	
		16th St & Buckeye Rd.....		12:52	<i>Central Ave & Buckeye Rd.....</i>			<i>16:25</i>	
		Central Ave & Buckeye Rd.....		12:57	<i>16th St & Buckeye Rd.....</i>			<i>16:30</i>	
		19th Ave & Buckeye Rd.....		13:03	<i>Sky Harbor West.....</i>			<i>16:37</i>	
		43rd Ave & Buckeye Rd.....		13:13					
		59th Ave & Buckeye Rd.....		13:19					
		75th Ave & Buckeye Rd.....		13:25					
		13 / West / 120 / 20164010							
Sky Harbor West.....	8:45	Sky Harbor West.....							
16th St & Buckeye Rd.....	8:51	16th St & Buckeye Rd.....							
Central Ave & Buckeye Rd.....	8:56	Central Ave & Buckeye Rd.....							
19th Ave & Buckeye Rd.....	9:03	19th Ave & Buckeye Rd.....							
43rd Ave & Buckeye Rd.....	9:13	43rd Ave & Buckeye Rd.....							
59th Ave & Buckeye Rd.....	9:18	59th Ave & Buckeye Rd.....							
75th Ave & Buckeye Rd.....	9:24	75th Ave & Buckeye Rd.....							

Phoenix West

Effective: 01/22/2024

2059
Saturday

Duty Type	Block	Report Time	Start Place	Start Time	End Time	End Place	Clear Time	Paid Time	Seat Time
ST	2060	5:52	WEST 107I-E	5:57	13:12	107I-E	13:29	7h37	6h13

Sign-on	5:52	Deadhead	Deadhead						
		Granite Reef Rd & Indian Sch	10:50	107th Ave & Indian School Rd.	13:06				
Block	2060	Pima Rd & Chaparral Rd.....	10:54	107th Ave & Indian School Rd.	13:12				
Pull Out		Deadhead		Travel by	CAR				
West Transit Facility.....	6:12	Pima Rd & Chaparral Rd.....	11:22						
Granite Reef Rd & Indian Sch	7:02	Granite Reef Rd & Indian Sch	11:26	Car Pull					
				107th Ave & Indian School Rd.	13:12				
				West Transit Facility.....	13:29				
41 / West / 724 / 20163708		41 / West / 724 / 20163698		41 / East / 172 / 20163673					
Granite Reef Rd & Indian Sch	7:02	Granite Reef Rd & Indian Sch	11:26	<i>107th Ave & Indian School Rd.</i>	<i>13:40</i>				
Scottsdale Rd & Indian School	7:07	Scottsdale Rd & Indian School	11:31	<i>83rd Ave & Indian School Rd..</i>	<i>13:48</i>				
56th St & Indian School Rd.....	7:14	56th St & Indian School Rd.....	11:38	<i>59th Ave & Indian School Rd...</i>	<i>13:59</i>				
44th St & Indian School Rd.....	7:17	44th St & Indian School Rd.....	11:42	<i>43rd Ave & Indian School Rd..</i>	<i>14:08</i>				
32nd St & Indian School Rd.....	7:21	32nd St & Indian School Rd.....	11:48	<i>19th Ave & Indian School Rd...</i>	<i>14:24</i>				
24th St & Indian School Rd.....	7:25	24th St & Indian School Rd.....	11:53	<i>Central Ave & Indian School R</i>	<i>14:33</i>				
Central Ave & Indian School Rd.	7:35	Central Ave & Indian School Rd.	12:05	<i>Central Ave & Indian School R</i>	<i>14:37</i>				
Central Ave & Indian School Rd.	7:39	Central Ave & Indian School Rd.	12:09	<i>24th St & Indian School Rd....</i>	<i>14:51</i>				
19th Ave & Indian School Rd.....	7:45	19th Ave & Indian School Rd.....	12:17	<i>32nd St & Indian School Rd....</i>	<i>14:55</i>				
43rd Ave & Indian School Rd.....	7:58	43rd Ave & Indian School Rd.....	12:33	<i>44th St & Indian School Rd....</i>	<i>15:02</i>				
59th Ave & Indian School Rd.....	8:06	59th Ave & Indian School Rd.....	12:42	<i>56th St & Indian School Rd....</i>	<i>15:05</i>				
83rd Ave & Indian School Rd.....	8:18	83rd Ave & Indian School Rd.....	12:54	<i>Scottsdale Rd & Indian Schoo</i>	<i>15:12</i>				
107th Ave & Indian School Rd.	8:30	107th Ave & Indian School Rd.	13:06	<i>Granite Reef Rd & Indian Sch</i>	<i>15:20</i>				
Deadhead									
107th Ave & Indian School Rd.	8:30								
107th Ave & Indian School Rd.	8:36								
41 / East / 172 / 20163677									
107th Ave & Indian School Rd.	9:12								
83rd Ave & Indian School Rd.....	9:20								
59th Ave & Indian School Rd.....	9:31								
43rd Ave & Indian School Rd.....	9:40								
19th Ave & Indian School Rd.....	9:54								
Central Ave & Indian School Rd.	10:03								
Central Ave & Indian School Rd.	10:07								
24th St & Indian School Rd.....	10:21								
32nd St & Indian School Rd.....	10:25								
44th St & Indian School Rd.....	10:32								
56th St & Indian School Rd.....	10:35								
Scottsdale Rd & Indian School	10:42								
Granite Reef Rd & Indian Sch	10:50								

Phoenix West

Effective: 01/22/2024

2060
Saturday

Duty Type	Block	Report Time	Start Place	Start Time	End Time	End Place	Clear Time	Paid Time	Seat Time
ST	2059	5:52	WEST	5:57	15:06	43MC	15:26	9h34	7h56
	CAR		43MC	15:06	15:26	WEST	15:26		

Sign-on	5:52	Deadhead				Travel by		CAR	
		Pebble Creek Pkwy & McDow		10:57					
Block	2059	Pebble Creek Pkwy & McDow		11:04		Car Pull			
						43rd Ave & McDowell Rd.....		15:06	
Pull Out		17 / East / 132 / 20163745				West Transit Facility.....		15:26	
West Transit Facility.....	6:12	Pebble Creek Pkwy & McDow		11:32					
Pebble Creek Pkwy & McDow	6:32	Litchfield Rd & McDowell Rd.....		11:39		67th Ave & McDowell Rd.....		15:20	
		99th Ave & McDowell Rd.....		11:54		83rd Ave & McDowell Rd.....		15:27	
17 / East / 132 / 20163739		83rd Ave & McDowell Rd.....		12:02		99th Ave & McDowell Rd.....		15:35	
Pebble Creek Pkwy & McDow	6:32	67th Ave & McDowell Rd.....		12:09		Litchfield Rd & McDowell Rd...		15:50	
Litchfield Rd & McDowell Rd.....	6:39	43rd Ave & McDowell Rd.....		12:22		Pebble Creek Pkwy & McDow		15:57	
99th Ave & McDowell Rd.....	6:54	19th Ave & McDowell Rd.....		12:37					
83rd Ave & McDowell Rd.....	7:02	Central Ave & McDowell Rd.....		12:47		17 / East / 132 / 20163753			
67th Ave & McDowell Rd.....	7:09	24th St & McDowell Rd.....		12:59		Pebble Creek Pkwy & McDow		16:32	
43rd Ave & McDowell Rd.....	7:22	44th St & McDowell Rd.....		13:11		Litchfield Rd & McDowell Rd...		16:39	
19th Ave & McDowell Rd.....	7:37	52nd St & McDowell Rd.....		13:14		99th Ave & McDowell Rd.....		16:54	
Central Ave & McDowell Rd.....	7:47	Scottsdale Rd & McDowell Rd...		13:22		83rd Ave & McDowell Rd.....		17:02	
24th St & McDowell Rd.....	7:59	Pima Rd & McDowell Rd.....		13:30		67th Ave & McDowell Rd.....		17:09	
44th St & McDowell Rd.....	8:11					43rd Ave & McDowell Rd.....		17:22	
52nd St & McDowell Rd.....	8:14	Deadhead				19th Ave & McDowell Rd.....		17:37	
Scottsdale Rd & McDowell Rd...	8:22	Pima Rd & McDowell Rd.....		13:30		Central Ave & McDowell Rd...		17:47	
Pima Rd & McDowell Rd.....	8:30	Pima Rd & McDowell Rd.....		13:37		24th St & McDowell Rd.....		17:59	
						44th St & McDowell Rd.....		18:11	
Deadhead		17 / West / 127 / 20163760				52nd St & McDowell Rd.....		18:14	
Pima Rd & McDowell Rd.....	8:30	Pima Rd & McDowell Rd.....		14:02		Scottsdale Rd & McDowell Rd...		18:22	
Pima Rd & McDowell Rd.....	8:37	Scottsdale Rd & McDowell Rd...		14:09		Pima Rd & McDowell Rd.....		18:30	
		52nd St & McDowell Rd.....		14:16					
17 / West / 127 / 20163755		44th St & McDowell Rd.....		14:19					
Pima Rd & McDowell Rd.....	9:02	24th St & McDowell Rd.....		14:31					
Scottsdale Rd & McDowell Rd....	9:09	Central Ave & McDowell Rd.....		14:43					
52nd St & McDowell Rd.....	9:16	19th Ave & McDowell Rd.....		14:51					
44th St & McDowell Rd.....	9:19	43rd Ave & McDowell Rd.....		15:06					
24th St & McDowell Rd.....	9:31								
Central Ave & McDowell Rd.....	9:43								
19th Ave & McDowell Rd.....	9:51								
43rd Ave & McDowell Rd.....	10:06								
67th Ave & McDowell Rd.....	10:20								
83rd Ave & McDowell Rd.....	10:27								
99th Ave & McDowell Rd.....	10:35								
Litchfield Rd & McDowell Rd.....	10:50								
Pebble Creek Pkwy & McDow	10:57								

Phoenix West

Effective: 01/22/2024

2061
Saturday

Duty Type	Block	Report Time	Start Place	Start Time	End Time	End Place	Clear Time	Paid Time	Seat Time
ST	2062	5:54	WEST	5:59	13:55	75LB			
	CAR		75LB	13:55	14:05	WEST	14:05	8h11	5h59

Sign-on	5:54	75 / North / 147 / 20163801				83 / South / 155 / 20164170			
		75th Ave & Lower Buckeye Rd	9:25			Arrowhead Mall North			11:58
Block	2062	75th Ave & Van Buren St	9:30			83rd Ave & Thunderbird Rd			12:09
		Desert Sky TC	9:40			83rd Ave & Peoria Ave			12:15
Pull Out		75th Ave & Camelback Rd	9:49			83rd Ave & Glendale Ave			12:27
West Transit Facility	6:14					83rd Ave & Camelback Rd			12:32
67th Ave & Union Hills Dr	6:42	Deadhead				Desert Sky TC			12:41
		75th Ave & Camelback Rd	9:49			83rd Ave & Van Buren St			12:51
		83rd Ave & Camelback Rd	9:52						
67 / South / 254 / 20163659		Deadhead							
67th Ave & Union Hills Dr	6:42					83rd Ave & Van Buren St			12:51
67th Ave & Thunderbird Rd	6:52	83 / South / 155 / 20163819				83rd Ave & Van Buren St			12:55
67th Ave & Olive Ave	7:00	83rd Ave & Camelback Rd	10:05						
67th Ave & Glendale Ave	7:07	Desert Sky TC	10:11						
67th Ave & Camelback Rd	7:15	83rd Ave & Van Buren St	10:20						
67th Ave & Thomas Rd	7:22					83 / North / 153 / 20163837			
67th Ave & Van Buren St	7:30	Deadhead				83rd Ave & Van Buren St			13:03
Sierra Linda HS-South	7:38	83rd Ave & Van Buren St	10:20			Desert Sky TC			13:12
		83rd Ave & Van Buren St	10:24			83rd Ave & Camelback Rd			13:22
Deadhead									
Sierra Linda HS-South	7:38	83 / North / 183 / 20164190				83rd Ave & Camelback Rd			13:22
75th Ave & Lower Buckeye Rd	7:43	83rd Ave & Van Buren St	10:33			75th Ave & Camelback Rd			13:25
		Desert Sky TC	10:42						
75 / North / 147 / 20164160		83rd Ave & Camelback Rd	10:52			75 / South / 149 / 20163783			
75th Ave & Lower Buckeye Rd	7:55	83rd Ave & Glendale Ave	10:57			75th Ave & Camelback Rd			13:30
75th Ave & Van Buren St	8:00	83rd Ave & Peoria Ave	11:08			Desert Sky TC			13:39
Desert Sky TC	8:10	83rd Ave & Thunderbird Rd	11:14			75th Ave & Van Buren St			13:51
75th Ave & Camelback Rd	8:19	Arrowhead Mall North	11:24			75th Ave & Lower Buckeye Rd			13:55
Deadhead									
75th Ave & Camelback Rd	8:19	Deadhead				Travel by			CAR
67th Ave & Camelback Rd	8:22	Arrowhead Mall North	11:24						
		Arrowhead Mall Layover	11:26			Car Pull			
67 / South / 254 / 20164138		Deadhead				75th Ave & Lower Buckeye Rd			13:55
67th Ave & Camelback Rd	8:45	Arrowhead Mall Layover	11:56			West Transit Facility			14:05
67th Ave & Thomas Rd	8:52	Arrowhead Mall North	11:58						
67th Ave & Van Buren St	9:00					67 / North / 108 / 20163518			
Sierra Linda HS-South	9:08					Sierra Linda HS-North			14:15
Deadhead						67th Ave & Van Buren St			14:24
Sierra Linda HS-South	9:08					67th Ave & Thomas Rd			14:33
75th Ave & Lower Buckeye Rd	9:13					67th Ave & Camelback Rd			14:40
						67th Ave & Glendale Ave			14:50
						67th Ave & Olive Ave			14:56
						67th Ave & Thunderbird Rd			15:06
						67th Ave & Union Hills Dr			15:16

Phoenix West

Effective: 01/22/2024

2062

Saturday

Duty Type	Block	Report Time	Start Place	Start Time	End Time	End Place	Clear Time	Paid Time	Seat Time
ST	2061	5:54	WEST	5:59	15:02	83MC	15:14	9h20	7h39
	CAR		83MC	15:02	15:14	WEST	15:14		

Sign-on	5:54	Deadhead			Car Pull				
		Pima Rd & McDowell Rd.....		11:30	83rd Ave & McDowell Rd.....			15:02	
Block	2061	Pima Rd & McDowell Rd.....		11:37	West Transit Facility.....			15:14	
Pull Out		17 / West / 127 / 20163758			67th Ave & McDowell Rd.....			15:09	
West Transit Facility.....	6:14	Pima Rd & McDowell Rd.....		12:02	43rd Ave & McDowell Rd.....			15:22	
Pima Rd & McDowell Rd.....	7:02	Scottsdale Rd & McDowell Rd....		12:09	19th Ave & McDowell Rd.....			15:37	
		52nd St & McDowell Rd.....		12:16	Central Ave & McDowell Rd....			15:47	
17 / West / 127 / 20163751		44th St & McDowell Rd.....		12:19	24th St & McDowell Rd.....			15:59	
Pima Rd & McDowell Rd.....	7:02	24th St & McDowell Rd.....		12:31	44th St & McDowell Rd.....			16:11	
Scottsdale Rd & McDowell Rd....	7:09	Central Ave & McDowell Rd.....		12:43	52nd St & McDowell Rd.....			16:14	
52nd St & McDowell Rd.....	7:16	19th Ave & McDowell Rd.....		12:51	Scottsdale Rd & McDowell Rd			16:22	
44th St & McDowell Rd.....	7:19	43rd Ave & McDowell Rd.....		13:06	Pima Rd & McDowell Rd.....			16:30	
24th St & McDowell Rd.....	7:31	67th Ave & McDowell Rd.....		13:20					
Central Ave & McDowell Rd.....	7:43	83rd Ave & McDowell Rd.....		13:27	17 / West / 127 / 20163763				
19th Ave & McDowell Rd.....	7:51	99th Ave & McDowell Rd.....		13:35	Pima Rd & McDowell Rd.....			17:02	
43rd Ave & McDowell Rd.....	8:06	Litchfield Rd & McDowell Rd....		13:50	Scottsdale Rd & McDowell Rd			17:09	
67th Ave & McDowell Rd.....	8:20	Pebble Creek Pkwy & McDow		13:57	52nd St & McDowell Rd.....			17:16	
83rd Ave & McDowell Rd.....	8:27				44th St & McDowell Rd.....			17:19	
99th Ave & McDowell Rd.....	8:35	Deadhead			24th St & McDowell Rd.....			17:31	
Litchfield Rd & McDowell Rd....	8:50	Pebble Creek Pkwy & McDow		13:57	Central Ave & McDowell Rd....			17:43	
Pebble Creek Pkwy & McDow	8:57	Pebble Creek Pkwy & McDow		14:04	19th Ave & McDowell Rd.....			17:51	
					43rd Ave & McDowell Rd.....			18:06	
Deadhead		17 / East / 132 / 20163750			67th Ave & McDowell Rd.....			18:20	
Pebble Creek Pkwy & McDow	8:57	Pebble Creek Pkwy & McDow		14:32	83rd Ave & McDowell Rd.....			18:27	
Pebble Creek Pkwy & McDow	9:04	Litchfield Rd & McDowell Rd....		14:39	99th Ave & McDowell Rd.....			18:35	
		99th Ave & McDowell Rd.....		14:54	Litchfield Rd & McDowell Rd...			18:50	
17 / East / 132 / 20163743		83rd Ave & McDowell Rd.....		15:02	Pebble Creek Pkwy & McDow			18:57	
Pebble Creek Pkwy & McDow	9:32								
Litchfield Rd & McDowell Rd.....	9:39	Travel by		CAR					
99th Ave & McDowell Rd.....	9:54								
83rd Ave & McDowell Rd.....	10:02								
67th Ave & McDowell Rd.....	10:09								
43rd Ave & McDowell Rd.....	10:22								
19th Ave & McDowell Rd.....	10:37								
Central Ave & McDowell Rd.....	10:47								
24th St & McDowell Rd.....	10:59								
44th St & McDowell Rd.....	11:11								
52nd St & McDowell Rd.....	11:14								
Scottsdale Rd & McDowell Rd....	11:22								
Pima Rd & McDowell Rd.....	11:30								

Phoenix West

Effective: 01/22/2024

2063
Saturday

Duty Type	Block	Report Time	Start Place	Start Time	End Time	End Place	Clear Time	Paid Time	Seat Time
ST	2063	5:56	WEST	6:01	12:14	DSTC	12:28	6h32	5h40
	CAR		DSTC	12:14	12:28	WEST	12:28		

Sign-on	5:56	MARY / CCIkWs / 787 / 20164340	Travel by	CAR
Desert Sky TC..... 8:30				
Block	2063	83rd Ave & Osborn Rd.....	Car Pull	
		75th Ave & Encanto Blvd.....	Desert Sky TC..... 12:14	
Pull Out		63rd Ave & Fillmore St.....	West Transit Facility..... 12:28	
West Transit Facility..... 6:16		55th Ave & Encanto Blvd.....		
Desert Sky TC..... 6:30		51st Ave & Indian School Rd.....		
-----		67th Ave & Campbell Ave.....		
MARY / CCIkWs / 787 / 20164337		59th Ave & Thomas Rd.....	MARY / CCIkWs / 787 / 20164336	
Desert Sky TC..... 6:30		Desert Sky TC..... 10:14	<i>Desert Sky TC..... 12:30</i>	
83rd Ave & Osborn Rd.....	6:46	-----	<i>83rd Ave & Osborn Rd..... 12:46</i>	
75th Ave & Encanto Blvd.....	7:04	MARY / CCIkWs / 787 / 20164342	<i>75th Ave & Encanto Blvd..... 13:04</i>	
63rd Ave & Fillmore St.....	7:18	Desert Sky TC..... 10:30	<i>63rd Ave & Fillmore St..... 13:18</i>	
55th Ave & Encanto Blvd.....	7:27	83rd Ave & Osborn Rd.....	<i>55th Ave & Encanto Blvd..... 13:27</i>	
51st Ave & Indian School Rd.....	7:40	75th Ave & Encanto Blvd.....	<i>51st Ave & Indian School Rd... 13:40</i>	
67th Ave & Campbell Ave.....	7:51	63rd Ave & Fillmore St.....	<i>67th Ave & Campbell Ave..... 13:51</i>	
59th Ave & Thomas Rd.....	8:02	55th Ave & Encanto Blvd.....	<i>59th Ave & Thomas Rd..... 14:02</i>	
Desert Sky TC..... 8:14		51st Ave & Indian School Rd.....	<i>Desert Sky TC..... 14:14</i>	
-----		67th Ave & Campbell Ave.....		
		59th Ave & Thomas Rd.....		
		Desert Sky TC..... 12:14		

Phoenix West

Effective: 01/22/2024

2064
Saturday

Duty Type	Block	Report Time	Start Place	Start Time	End Time	End Place	Clear Time	Paid Time	Seat Time
ST	2064	6:26	WEST	6:31	12:43	DSTC			
	CAR		DSTC	12:43	12:57	WEST	12:57	6h31	5h37

Sign-on	6:26	MARY / ClkWs / 786 / 20164350	Travel by	CAR
		Desert Sky TC.....		9:00
Block	2064	59th Ave & Thomas Rd.....	Car Pull	
		67th Ave & Campbell Ave.....	Desert Sky TC.....	12:43
Pull Out		51st Ave & Indian School Rd.....	West Transit Facility.....	12:57
West Transit Facility.....	6:46	55th Ave & Encanto Blvd.....		
Desert Sky TC.....	7:00	63rd Ave & Fillmore St.....		
		75th Ave & Encanto Blvd.....		
MARY / ClkWs / 786 / 20164348		83rd Ave & Osborn Rd.....		
Desert Sky TC.....	7:00	Desert Sky TC.....		10:43
59th Ave & Thomas Rd.....	7:13			
67th Ave & Campbell Ave.....	7:24	MARY / ClkWs / 786 / 20164352		
51st Ave & Indian School Rd.....	7:35	Desert Sky TC.....		11:00
55th Ave & Encanto Blvd.....	7:49	59th Ave & Thomas Rd.....		11:13
63rd Ave & Fillmore St.....	7:58	67th Ave & Campbell Ave.....		11:24
75th Ave & Encanto Blvd.....	8:12	51st Ave & Indian School Rd.....		11:35
83rd Ave & Osborn Rd.....	8:30	55th Ave & Encanto Blvd.....		11:49
Desert Sky TC.....	8:43	63rd Ave & Fillmore St.....		11:58
		75th Ave & Encanto Blvd.....		12:12
		83rd Ave & Osborn Rd.....		12:30
		Desert Sky TC.....		12:43

<i>MARY / ClkWs / 786 / 20164354</i>	
<i>Desert Sky TC.....</i>	<i>13:00</i>
<i>59th Ave & Thomas Rd.....</i>	<i>13:13</i>
<i>67th Ave & Campbell Ave.....</i>	<i>13:24</i>
<i>51st Ave & Indian School Rd...</i>	<i>13:35</i>
<i>55th Ave & Encanto Blvd.....</i>	<i>13:49</i>
<i>63rd Ave & Fillmore St.....</i>	<i>13:58</i>
<i>75th Ave & Encanto Blvd.....</i>	<i>14:12</i>
<i>83rd Ave & Osborn Rd.....</i>	<i>14:30</i>
<i>Desert Sky TC.....</i>	<i>14:43</i>

Phoenix West

Effective: 01/22/2024

2065

Saturday

Duty Type	Block	Report Time	Start Place	Start Time	End Time	End Place	Clear Time	Paid Time	Seat Time
ST	2065	6:56	WEST	7:01	17:28	WEST	17:28	10h32	9h08

Sign-on	6:56	MARY / CCIkWs / 787 / 20164339	MARY / CCIkWs / 787 / 20164345
Desert Sky TC.....		11:30	Desert Sky TC.....
Block	2065	83rd Ave & Osborn Rd.....	83rd Ave & Osborn Rd.....
		75th Ave & Encanto Blvd.....	75th Ave & Encanto Blvd.....
		63rd Ave & Fillmore St.....	63rd Ave & Fillmore St.....
Pull Out		55th Ave & Encanto Blvd.....	55th Ave & Encanto Blvd.....
West Transit Facility.....	7:16	51st Ave & Indian School Rd.....	51st Ave & Indian School Rd.....
Desert Sky TC.....	7:30	67th Ave & Campbell Ave.....	67th Ave & Campbell Ave.....
		59th Ave & Thomas Rd.....	59th Ave & Thomas Rd.....
		Desert Sky TC.....	13:14
		Desert Sky TC.....	17:14

MARY / CCIkWs / 787 / 20164338		MARY / CCIkWs / 787 / 20164343	
Desert Sky TC.....	7:30	Desert Sky TC.....	13:30
83rd Ave & Osborn Rd.....	7:46	83rd Ave & Osborn Rd.....	13:46
75th Ave & Encanto Blvd.....	8:04	75th Ave & Encanto Blvd.....	14:04
63rd Ave & Fillmore St.....	8:18	63rd Ave & Fillmore St.....	14:18
55th Ave & Encanto Blvd.....	8:27	55th Ave & Encanto Blvd.....	14:27
51st Ave & Indian School Rd.....	8:40	51st Ave & Indian School Rd.....	14:40
67th Ave & Campbell Ave.....	8:51	67th Ave & Campbell Ave.....	14:51
59th Ave & Thomas Rd.....	9:02	59th Ave & Thomas Rd.....	15:02
Desert Sky TC.....	9:14	Desert Sky TC.....	15:14

MARY / CCIkWs / 787 / 20164341			
Desert Sky TC.....	9:30	Desert Sky TC.....	15:14
83rd Ave & Osborn Rd.....	9:46		
75th Ave & Encanto Blvd.....	10:04		
63rd Ave & Fillmore St.....	10:18		
55th Ave & Encanto Blvd.....	10:27		
51st Ave & Indian School Rd.....	10:40		
67th Ave & Campbell Ave.....	10:51		
59th Ave & Thomas Rd.....	11:02		
Desert Sky TC.....	11:14		

Phoenix West

Effective: 01/22/2024

2066
Saturday

Duty Type	Block	Report Time	Start Place	Start Time	End Time	End Place	Clear Time	Paid Time	Seat Time
ST	2066 CAR	7:07	WEST 107I-E	7:12 16:12	16:12 16:29	107I-E WEST	16:29	9h22	7h38

Sign-on	7:07	Deadhead				41 / West / 724 / 20163701			
		107th Ave & Indian School Rd.	11:36			Granite Reef Rd & Indian Sch	14:26		
Block	2066	107th Ave & Indian School Rd.	11:42			Scottsdale Rd & Indian School	14:31		
						56th St & Indian School Rd.....	14:38		
Pull Out		41 / East / 172 / 20163681				44th St & Indian School Rd.....	14:42		
West Transit Facility.....	7:27	107th Ave & Indian School Rd.	12:10			32nd St & Indian School Rd.....	14:48		
107th Ave & Indian School Rd.	7:42	83rd Ave & Indian School Rd.....	12:18			24th St & Indian School Rd.....	14:53		
		59th Ave & Indian School Rd.....	12:29			Central Ave & Indian School Rd.	15:05		
		43rd Ave & Indian School Rd.....	12:38			Central Ave & Indian School Rd.	15:09		
41 / East / 172 / 20163665		19th Ave & Indian School Rd.....	12:54			19th Ave & Indian School Rd.....	15:17		
107th Ave & Indian School Rd.	7:42	Central Ave & Indian School Rd.	13:03			43rd Ave & Indian School Rd.....	15:33		
83rd Ave & Indian School Rd.....	7:50	Central Ave & Indian School Rd.	13:07			59th Ave & Indian School Rd.....	15:42		
59th Ave & Indian School Rd.....	8:01	24th St & Indian School Rd.....	13:21			83rd Ave & Indian School Rd.....	15:54		
43rd Ave & Indian School Rd.....	8:10	32nd St & Indian School Rd.....	13:25			107th Ave & Indian School Rd.	16:06		
19th Ave & Indian School Rd.....	8:24	44th St & Indian School Rd.....	13:32						
Central Ave & Indian School Rd.	8:33	56th St & Indian School Rd.....	13:35			Deadhead			
Central Ave & Indian School Rd.	8:37	Scottsdale Rd & Indian School	13:42			107th Ave & Indian School Rd.	16:06		
24th St & Indian School Rd.....	8:51	Granite Reef Rd & Indian Sch	13:50			107th Ave & Indian School Rd.	16:12		
32nd St & Indian School Rd.....	8:55								
44th St & Indian School Rd.....	9:02								
56th St & Indian School Rd.....	9:05	Deadhead				Travel by	CAR		
Scottsdale Rd & Indian School	9:12	Granite Reef Rd & Indian Sch	13:50						
Granite Reef Rd & Indian Sch	9:20	Pima Rd & Chaparral Rd.....	13:54			Car Pull			
						107th Ave & Indian School Rd.	16:12		
						West Transit Facility.....	16:29		
Deadhead		Deadhead							
Granite Reef Rd & Indian Sch	9:20	Pima Rd & Chaparral Rd.....	14:22						
Pima Rd & Chaparral Rd.....	9:24	Granite Reef Rd & Indian Sch	14:26						
Deadhead						41 / East / 172 / 20163678			
Pima Rd & Chaparral Rd.....	9:52					<i>107th Ave & Indian School Rd.</i>	<i>16:41</i>		
Granite Reef Rd & Indian Sch	9:56					<i>83rd Ave & Indian School Rd..</i>	<i>16:50</i>		
						<i>59th Ave & Indian School Rd...</i>	<i>17:01</i>		
						<i>43rd Ave & Indian School Rd..</i>	<i>17:10</i>		
						<i>19th Ave & Indian School Rd...</i>	<i>17:24</i>		
						<i>Central Ave & Indian School R</i>	<i>17:33</i>		
						<i>Central Ave & Indian School R</i>	<i>17:37</i>		
						<i>24th St & Indian School Rd.....</i>	<i>17:51</i>		
						<i>32nd St & Indian School Rd....</i>	<i>17:55</i>		
						<i>44th St & Indian School Rd.....</i>	<i>18:02</i>		
						<i>56th St & Indian School Rd.....</i>	<i>18:05</i>		
						<i>Scottsdale Rd & Indian Schoo</i>	<i>18:12</i>		
						<i>Granite Reef Rd & Indian Sch</i>	<i>18:20</i>		
41 / West / 724 / 20163710									
Granite Reef Rd & Indian Sch	9:56								
Scottsdale Rd & Indian School	10:01								
56th St & Indian School Rd.....	10:08								
44th St & Indian School Rd.....	10:12								
32nd St & Indian School Rd.....	10:18								
24th St & Indian School Rd.....	10:23								
Central Ave & Indian School Rd.	10:35								
Central Ave & Indian School Rd.	10:39								
19th Ave & Indian School Rd.....	10:47								
43rd Ave & Indian School Rd.....	11:03								
59th Ave & Indian School Rd.....	11:12								
83rd Ave & Indian School Rd.....	11:24								
107th Ave & Indian School Rd.	11:36								

Phoenix West

Effective: 01/22/2024

2067
Saturday

Duty Type	Block	Report Time	Start Place	Start Time	End Time	End Place	Clear Time	Paid Time	Seat Time
ST	2067 CAR	9:03	WEST 94TH	9:08 17:00	17:00 17:16	94TH WEST	17:16	8h13	6h52

Sign-on	9:03	Deadhead	Deadhead
		93rd Ave & Thomas Rd.....	12:59
Block	2067	94th Av Layover.....	13:00
			93rd Ave & Thomas Rd..... 16:59
			94th Av Layover..... 17:00
Pull Out		Deadhead	Travel by CAR
West Transit Facility.....	9:23	94th Av Layover.....	13:29
93rd Ave & Thomas Rd.....	9:35	93rd Ave & Thomas Rd.....	13:30
			Car Pull
			94th Av Layover..... 17:00
			West Transit Facility..... 17:16
29 / East / 31 / 20163858		29 / East / 31 / 20163870	
93rd Ave & Thomas Rd.....	9:35	93rd Ave & Thomas Rd.....	13:30
Thomas Rd at Desert Sky TC....	9:41	Thomas Rd at Desert Sky TC....	13:36
67th Ave & Thomas Rd.....	9:48	67th Ave & Thomas Rd.....	13:43
51st Ave & Thomas Rd.....	9:55	51st Ave & Thomas Rd.....	13:53
35th Ave & Thomas Rd.....	10:02	35th Ave & Thomas Rd.....	14:02
19th Ave & Thomas Rd.....	10:12	19th Ave & Thomas Rd.....	14:12
Central Ave & Thomas Rd.....	10:20	Central Ave & Thomas Rd.....	14:20
24th St & Thomas Rd.....	10:31	24th St & Thomas Rd.....	14:33
44th St & Thomas Rd.....	10:44	44th St & Thomas Rd.....	14:48
56th St & Thomas Rd.....	10:51	56th St & Thomas Rd.....	14:55
Scottsdale Rd & Thomas Rd....	10:57	Scottsdale Rd & Thomas Rd....	15:01
Pima Park.....	11:04	Pima Park.....	15:08
29 / West / 199 / 20163886		29 / West / 199 / 20163895	
Pima Park.....	11:23	Pima Park.....	15:21
Scottsdale Rd & Thomas Rd.....	11:28	Scottsdale Rd & Thomas Rd.....	15:26
56th St & Thomas Rd.....	11:34	56th St & Thomas Rd.....	15:32
44th St & Thomas Rd.....	11:42	44th St & Thomas Rd.....	15:41
24th St & Thomas Rd.....	11:56	24th St & Thomas Rd.....	15:55
Central Ave & Thomas Rd.....	12:10	Central Ave & Thomas Rd.....	16:10
19th Ave & Thomas Rd.....	12:17	19th Ave & Thomas Rd.....	16:17
35th Ave & Thomas Rd.....	12:27	35th Ave & Thomas Rd.....	16:26
51st Ave & Thomas Rd.....	12:34	51st Ave & Thomas Rd.....	16:33
67th Ave & Thomas Rd.....	12:41	67th Ave & Thomas Rd.....	16:40
Desert Sky TC.....	12:50	Desert Sky TC.....	16:50
Desert Sky TC.....	12:53	Desert Sky TC.....	16:53
93rd Ave & Thomas Rd.....	12:59	93rd Ave & Thomas Rd.....	16:59

Phoenix West

Effective: 01/22/2024

2068
Saturday

Duty Type	Block	Report Time	Start Place	Start Time	End Time	End Place	Clear Time	Paid Time	Seat Time
ST	CAR	9:11	WEST	9:16	9:36	43LB			
	2028		43LB	9:36	17:07	43LB			
	CAR		43LB	17:07	17:28	WEST	17:28	8h17	7h02

Sign-on	9:11	43 / North / 182 / 20164015	Deadhead
		43rd Ave & Lower Buckeye Rd	12:16
Travel by	CAR	43rd Ave & Van Buren St.....	12:22
		43rd Ave & Thomas Rd.....	12:32
Car Pull		43rd Ave & Camelback Rd.....	12:40
West Transit Facility.....	9:16	43rd Ave & Glendale Ave.....	12:47
43rd Ave & Lower Buckeye Rd	9:36	43rd Ave & Dunlap Ave.....	12:54
		43rd Ave & Thunderbird Rd.....	13:02
Block	2028	43rd Ave & Union Hills Dr.....	13:11
		43rd Ave & Glendale Ave.....	16:26
		43rd Ave & Camelback Rd.....	16:34
		43rd Ave & Thomas Rd.....	16:43
		43rd Ave & Van Buren St.....	16:53
		43rd Ave & Lower Buckeye Rd	17:01
		43rd Ave & Thunderbird Rd.....	16:09
		43rd Ave & Dunlap Ave.....	16:19
		43rd Ave & Glendale Ave.....	16:26
		43rd Ave & Camelback Rd.....	16:34
		43rd Ave & Thomas Rd.....	16:43
		43rd Ave & Van Buren St.....	16:53
		43rd Ave & Lower Buckeye Rd	17:01
		43rd Ave & Thunderbird Rd.....	13:39
		43rd Ave & Dunlap Ave.....	13:49
		43rd Ave & Glendale Ave.....	13:56
		43rd Ave & Camelback Rd.....	14:04
		43rd Ave & Thomas Rd.....	14:14
		43rd Ave & Van Buren St.....	14:24
		43rd Ave & Lower Buckeye Rd	14:32
		43rd Ave & Thunderbird Rd.....	17:01
		43rd Ave & Lower Buckeye Rd	17:07
		West Transit Facility.....	17:28
		43rd Ave & Lower Buckeye Rd	17:16
		43rd Ave & Van Buren St.....	17:22
		43rd Ave & Thomas Rd.....	17:32
		43rd Ave & Camelback Rd.....	17:40
		43rd Ave & Glendale Ave.....	17:47
		43rd Ave & Dunlap Ave.....	17:54
		43rd Ave & Thunderbird Rd.....	18:02
		43rd Ave & Union Hills Dr.....	18:11
		43rd Ave & Dunlap Ave.....	15:24
		43rd Ave & Thunderbird Rd.....	15:32
		43rd Ave & Union Hills Dr.....	15:41

Phoenix West

Effective: 01/22/2024

2069
Saturday

Duty Type	Block	Report Time	Start Place	Start Time	End Time	End Place	Clear Time	Paid Time	Seat Time
ST	CAR	10:01	WEST	10:06	10:42	44IN			
	2006		44IN	10:42	16:42	107I-E			
	CAR		107I-E	16:42	16:59	WEST	16:59	6h58	5h57

Sign-on	10:01	41 / East / 172 / 20163671			Deadhead				
		107th Ave & Indian School Rd.	12:40		107th Ave & Indian School Rd.		16:36		
Travel by	CAR	83rd Ave & Indian School Rd.....	12:48		107th Ave & Indian School Rd.		16:42		
		59th Ave & Indian School Rd.....	12:59						
Car Pull		43rd Ave & Indian School Rd.....	13:08		Travel by			CAR	
West Transit Facility.....	10:06	19th Ave & Indian School Rd.....	13:24						
44th St & Indian School Rd.....	10:42	Central Ave & Indian School Rd.	13:33		Car Pull				
		Central Ave & Indian School Rd.	13:37		107th Ave & Indian School Rd.		16:42		
Block	2006	24th St & Indian School Rd.....	13:51		West Transit Facility.....		16:59		
		32nd St & Indian School Rd.....	13:55						
		44th St & Indian School Rd.....	14:02		41 / East / 172 / 20163686				
		56th St & Indian School Rd.....	14:05		107th Ave & Indian School Rd.		17:11		
		Scottsdale Rd & Indian School	14:12		83rd Ave & Indian School Rd..		17:20		
		Granite Reef Rd & Indian Sch	14:20		59th Ave & Indian School Rd...		17:31		
		-----			43rd Ave & Indian School Rd..		17:40		
		Deadhead			19th Ave & Indian School Rd...		17:54		
		Granite Reef Rd & Indian Sch	14:20		Central Ave & Indian School R		18:03		
		Pima Rd & Chaparral Rd.....	14:24		Central Ave & Indian School R		18:07		
		-----			24th St & Indian School Rd.....		18:21		
		Deadhead			32nd St & Indian School Rd....		18:25		
		Pima Rd & Chaparral Rd.....	14:52		44th St & Indian School Rd.....		18:32		
		Granite Reef Rd & Indian Sch	14:56		56th St & Indian School Rd.....		18:35		
		-----			Scottsdale Rd & Indian Schoo		18:42		
		41 / West / 724 / 20163712			Granite Reef Rd & Indian Sch		18:50		
		Granite Reef Rd & Indian Sch	14:56		-----				
		Scottsdale Rd & Indian School	15:01						
		56th St & Indian School Rd.....	15:08						
		44th St & Indian School Rd.....	15:12						
		32nd St & Indian School Rd.....	15:18						
		24th St & Indian School Rd.....	15:23						
		Central Ave & Indian School Rd.	15:35						
		Central Ave & Indian School Rd.	15:39						
		19th Ave & Indian School Rd.....	15:47						
		43rd Ave & Indian School Rd.....	16:03						
		59th Ave & Indian School Rd.....	16:12						
		83rd Ave & Indian School Rd.....	16:24						
		107th Ave & Indian School Rd.	16:36						

Phoenix West

Effective: 01/22/2024

2070
Saturday

Duty Type	Block	Report Time	Start Place	Start Time	End Time	End Place	Clear Time	Paid Time	Seat Time
ST	CAR	10:02	WEST	10:07	10:15	83VB			
	2005		83VB	10:15	16:15	83VB			
	CAR		83VB	16:15	16:22	WEST	16:22	6h20	5h05

Sign-on	10:02	Deadhead			Deadhead				
		83rd Ave & Van Buren St.....		13:11	83rd Ave & Van Buren St.....			16:11	
Travel by	CAR	83rd Ave & Van Buren St.....		13:15	83rd Ave & Van Buren St.....			16:15	
Car Pull		3 / East / 86 / 20163943			Travel by			CAR	
West Transit Facility.....	10:07	83rd Ave & Van Buren St.....		13:25					
83rd Ave & Van Buren St.....	10:15	67th Ave & Van Buren St.....		13:30	Car Pull				
		51st Ave & Van Buren St.....		13:39	83rd Ave & Van Buren St.....			16:15	
Block	2005	35th Ave & Van Buren St.....		13:48	West Transit Facility.....			16:22	
		19th Ave & Van Buren St.....		13:56					
		Central Ave & Van Buren St.....		14:05	3 / East / 86 / 20163941				
3 / East / 86 / 20163939		24th St & Van Buren St.....		14:16	83rd Ave & Van Buren St.....			16:25	
83rd Ave & Van Buren St.....	10:25	44th St & Van Buren St.....		14:25	67th Ave & Van Buren St.....			16:30	
67th Ave & Van Buren St.....	10:30	Galvin Pkwy & Van Buren St.....		14:32	51st Ave & Van Buren St.....			16:39	
51st Ave & Van Buren St.....	10:39	Phoenix Zoo.....		14:36	35th Ave & Van Buren St.....			16:48	
35th Ave & Van Buren St.....	10:48				19th Ave & Van Buren St.....			16:56	
19th Ave & Van Buren St.....	10:56	3 / West / 104 / 20163913			Central Ave & Van Buren St....			17:05	
Central Ave & Van Buren St.....	11:05	Phoenix Zoo.....		15:01	24th St & Van Buren St.....			17:16	
24th St & Van Buren St.....	11:16	Galvin Pkwy & Van Buren St.....		15:04	44th St & Van Buren St.....			17:25	
44th St & Van Buren St.....	11:25	44th St & Van Buren St.....		15:10	Galvin Pkwy & Van Buren St...			17:32	
Galvin Pkwy & Van Buren St.....	11:32	24th St & Van Buren St.....		15:18	Phoenix Zoo.....			17:36	
Phoenix Zoo.....	11:36	2nd Ave & Van Buren St.....		15:30					
		19th Ave & Van Buren St.....		15:38					
		35th Ave & Van Buren St.....		15:47					
3 / West / 104 / 20163910		51st Ave & Van Buren St.....		15:56					
Phoenix Zoo.....	12:01	67th Ave & Van Buren St.....		16:03					
Galvin Pkwy & Van Buren St.....	12:04	83rd Ave & Van Buren St.....		16:11					
44th St & Van Buren St.....	12:10								
24th St & Van Buren St.....	12:18								
2nd Ave & Van Buren St.....	12:30								
19th Ave & Van Buren St.....	12:38								
35th Ave & Van Buren St.....	12:47								
51st Ave & Van Buren St.....	12:56								
67th Ave & Van Buren St.....	13:03								
83rd Ave & Van Buren St.....	13:11								

Phoenix West

Effective: 01/22/2024

2071
Saturday

Duty Type	Block	Report Time	Start Place	Start Time	End Time	End Place	Clear Time	Paid Time	Seat Time
TRP	CAR	10:16	WEST	10:21	10:41	43LB			
	2021		43LB	10:41	15:38	43LB			
	CAR		43LB	15:38	15:59	WEST	15:59	5h43	4h56

Sign-on	10:16	43 / South / 207 / 20163588	43 / South / 207 / 20163992
		43rd Ave & Union Hills Dr.....	43rd Ave & Union Hills Dr.....
Travel by	CAR	43rd Ave & Thunderbird Rd.....	43rd Ave & Thunderbird Rd.....
		43rd Ave & Dunlap Ave.....	43rd Ave & Dunlap Ave.....
Car Pull		43rd Ave & Glendale Ave.....	43rd Ave & Glendale Ave.....
West Transit Facility.....	10:21	43rd Ave & Camelback Rd.....	43rd Ave & Camelback Rd.....
43rd Ave & Lower Buckeye Rd	10:41	43rd Ave & Thomas Rd.....	43rd Ave & Thomas Rd.....
		43rd Ave & Van Buren St.....	43rd Ave & Van Buren St.....
Block	2021	43rd Ave & Lower Buckeye Rd	43rd Ave & Lower Buckeye Rd

43 / North / 182 / 20163571		Deadhead	Deadhead
43rd Ave & Lower Buckeye Rd	10:46	43rd Ave & Lower Buckeye Rd	43rd Ave & Lower Buckeye Rd
43rd Ave & Van Buren St.....	10:52	43rd Ave & Lower Buckeye Rd	43rd Ave & Lower Buckeye Rd
43rd Ave & Thomas Rd.....	11:02		
43rd Ave & Camelback Rd.....	11:10	43 / North / 182 / 20164005	Travel by
43rd Ave & Glendale Ave.....	11:17	43rd Ave & Lower Buckeye Rd	CAR
43rd Ave & Dunlap Ave.....	11:24	43rd Ave & Van Buren St.....	Car Pull
43rd Ave & Thunderbird Rd.....	11:32	43rd Ave & Thomas Rd.....	43rd Ave & Lower Buckeye Rd
43rd Ave & Union Hills Dr.....	11:41	43rd Ave & Camelback Rd.....	West Transit Facility.....
		43rd Ave & Glendale Ave.....	15:38
		43rd Ave & Dunlap Ave.....	15:59
Deadhead		43rd Ave & Thunderbird Rd.....	
43rd Ave & Union Hills Dr.....	11:41	43rd Ave & Union Hills Dr.....	15:32
43rd Ave & Union Hills Dr.....	11:48		15:38
		43 / North / 182 / 20163577	
		43rd Ave & Lower Buckeye Rd	15:46
		43rd Ave & Van Buren St.....	15:52
		43rd Ave & Thomas Rd.....	16:02
		43rd Ave & Camelback Rd.....	16:10
		43rd Ave & Glendale Ave.....	16:17
		43rd Ave & Dunlap Ave.....	16:24
		43rd Ave & Thunderbird Rd.....	16:32
		43rd Ave & Union Hills Dr.....	16:41
		43rd Ave & Union Hills Dr.....	14:11
		43rd Ave & Union Hills Dr.....	14:18

Phoenix West

Effective: 01/22/2024

2072
Saturday

Duty Type	Block	Report Time	Start Place	Start Time	End Time	End Place	Clear Time	Paid Time	Seat Time
ST	CAR	10:31	WEST	10:36	11:12	44IN			
	2009		44IN	11:12	17:12	107I-E			
	CAR		107I-E	17:12	17:29	WEST	17:29	6h58	5h57

Sign-on	10:31	41 / East / 172 / 20163682	Deadhead
		107th Ave & Indian School Rd.	107th Ave & Indian School Rd.
		13:10	17:06
Travel by	CAR	83rd Ave & Indian School Rd.....	107th Ave & Indian School Rd.
		59th Ave & Indian School Rd.....	17:12
		43rd Ave & Indian School Rd.....	
Car Pull		19th Ave & Indian School Rd.....	Travel by
West Transit Facility.....	10:36	Central Ave & Indian School Rd.	CAR
44th St & Indian School Rd.....	11:12	Central Ave & Indian School Rd.	
		24th St & Indian School Rd.....	Car Pull
		32nd St & Indian School Rd.....	107th Ave & Indian School Rd.
		44th St & Indian School Rd.....	17:12
		56th St & Indian School Rd.....	West Transit Facility.....
		Scottsdale Rd & Indian School	17:29
		Granite Reef Rd & Indian Sch	

		Deadhead	41 / East / 172 / 20163679
		Granite Reef Rd & Indian Sch	<i>107th Ave & Indian School Rd.</i>
		14:50	<i>17:41</i>
		Pima Rd & Chaparral Rd.....	<i>83rd Ave & Indian School Rd..</i>
		14:54	<i>17:50</i>
		-----	<i>59th Ave & Indian School Rd...</i>
		Deadhead	<i>18:01</i>
		Pima Rd & Chaparral Rd.....	<i>43rd Ave & Indian School Rd..</i>
		15:22	<i>18:10</i>
		Granite Reef Rd & Indian Sch	<i>19th Ave & Indian School Rd...</i>
		15:26	<i>18:24</i>
		-----	<i>Central Ave & Indian School R</i>
		Deadhead	<i>18:33</i>
		Pima Rd & Chaparral Rd.....	<i>Central Ave & Indian School R</i>
		15:26	<i>18:37</i>
		-----	<i>24th St & Indian School Rd.....</i>
		41 / West / 724 / 20163702	<i>18:51</i>
		Granite Reef Rd & Indian Sch	<i>32nd St & Indian School Rd....</i>
		15:26	<i>18:55</i>
		Scottsdale Rd & Indian School	<i>44th St & Indian School Rd.....</i>
		56th St & Indian School Rd.....	<i>19:02</i>
		44th St & Indian School Rd.....	<i>56th St & Indian School Rd.....</i>
		32nd St & Indian School Rd.....	<i>19:05</i>
		24th St & Indian School Rd.....	<i>Scottsdale Rd & Indian Schoo</i>
		Central Ave & Indian School Rd.	<i>19:12</i>
		Central Ave & Indian School Rd.	<i>Granite Reef Rd & Indian Sch</i>
		19th Ave & Indian School Rd.....	<i>19:20</i>
		43rd Ave & Indian School Rd.....	
		59th Ave & Indian School Rd.....	
		83rd Ave & Indian School Rd.....	
		107th Ave & Indian School Rd.	
		17:06	

Phoenix West

Effective: 01/22/2024

2073
Saturday

Duty Type	Block	Report Time	Start Place	Start Time	End Time	End Place	Clear Time	Paid Time	Seat Time
TRP	CAR	10:46	WEST	10:51	11:11	43LB			
	2008		43LB	11:11	16:07	43LB			
	CAR		43LB	16:07	16:28	WEST	16:28	5h42	4h56

Sign-on	10:46	43 / South / 207 / 20163987			43 / South / 207 / 20163591				
		43rd Ave & Union Hills Dr.....	12:32		43rd Ave & Union Hills Dr.....	15:02			
Travel by	CAR	43rd Ave & Thunderbird Rd.....	12:39		43rd Ave & Thunderbird Rd.....	15:09			
		43rd Ave & Dunlap Ave.....	12:49		43rd Ave & Dunlap Ave.....	15:19			
Car Pull		43rd Ave & Glendale Ave.....	12:56		43rd Ave & Glendale Ave.....	15:26			
West Transit Facility.....	10:51	43rd Ave & Camelback Rd.....	13:04		43rd Ave & Camelback Rd.....	15:34			
43rd Ave & Lower Buckeye Rd	11:11	43rd Ave & Thomas Rd.....	13:14		43rd Ave & Thomas Rd.....	15:43			
		43rd Ave & Van Buren St.....	13:24		43rd Ave & Van Buren St.....	15:53			
Block	2008	43rd Ave & Lower Buckeye Rd	13:32		43rd Ave & Lower Buckeye Rd	16:01			

43 / North / 182 / 20163976		Deadhead			Deadhead				
43rd Ave & Lower Buckeye Rd	11:16	43rd Ave & Lower Buckeye Rd	13:32		43rd Ave & Lower Buckeye Rd	16:01			
43rd Ave & Van Buren St.....	11:22	43rd Ave & Lower Buckeye Rd	13:38		43rd Ave & Lower Buckeye Rd	16:07			
43rd Ave & Thomas Rd.....	11:32								
43rd Ave & Camelback Rd.....	11:40	43 / North / 182 / 20163574			Travel by	CAR			
43rd Ave & Glendale Ave.....	11:47	43rd Ave & Lower Buckeye Rd	13:46		Car Pull				
43rd Ave & Dunlap Ave.....	11:54	43rd Ave & Van Buren St.....	13:52		43rd Ave & Lower Buckeye Rd	16:07			
43rd Ave & Thunderbird Rd.....	12:02	43rd Ave & Thomas Rd.....	14:02		West Transit Facility.....	16:28			
43rd Ave & Union Hills Dr.....	12:11	43rd Ave & Camelback Rd.....	14:10						
		43rd Ave & Glendale Ave.....	14:17						
Deadhead		43rd Ave & Dunlap Ave.....	14:24		43 / North / 182 / 20163997				
43rd Ave & Union Hills Dr.....	12:11	43rd Ave & Thunderbird Rd.....	14:32		43rd Ave & Lower Buckeye Rd	16:16			
43rd Ave & Union Hills Dr.....	12:18	43rd Ave & Union Hills Dr.....	14:41		43rd Ave & Van Buren St.....	16:22			
					43rd Ave & Thomas Rd.....	16:32			
		Deadhead			43rd Ave & Camelback Rd.....	16:40			
		43rd Ave & Union Hills Dr.....	14:41		43rd Ave & Glendale Ave.....	16:47			
		43rd Ave & Union Hills Dr.....	14:48		43rd Ave & Dunlap Ave.....	16:54			
					43rd Ave & Thunderbird Rd.....	17:02			
					43rd Ave & Union Hills Dr.....	17:11			

Phoenix West

Effective: 01/22/2024

2074
Saturday

Duty Type	Block	Report Time	Start Place	Start Time	End Time	End Place	Clear Time	Paid Time	Seat Time
ST	CAR 2043	10:49	WEST 107I-E	10:54 11:12	11:12 20:19	107I-E WEST	20:19	9h30	7h30

Sign-on	10:49	41 / West / 724 / 20163713			Deadhead
		Granite Reef Rd & Indian Sch	13:56	Granite Reef Rd & Indian Sch	17:50
Travel by	CAR	Scottsdale Rd & Indian School	14:01	Pima Rd & Chaparral Rd.....	17:54
		56th St & Indian School Rd.....	14:08	-----	
Car Pull		44th St & Indian School Rd.....	14:12	Deadhead	
West Transit Facility.....	10:54	32nd St & Indian School Rd.....	14:18	Pima Rd & Chaparral Rd.....	18:24
107th Ave & Indian School Rd.	11:12	24th St & Indian School Rd.....	14:23	Granite Reef Rd & Indian Sch	18:28
		Central Ave & Indian School Rd.	14:35	-----	
Block	2043	Central Ave & Indian School Rd.	14:39	41 / West / 724 / 20163706	
		19th Ave & Indian School Rd.....	14:47	Granite Reef Rd & Indian Sch	18:28
41 / East / 172 / 20163670		43rd Ave & Indian School Rd.....	15:03	Scottsdale Rd & Indian School	18:33
107th Ave & Indian School Rd.	11:40	59th Ave & Indian School Rd.....	15:12	56th St & Indian School Rd.....	18:40
83rd Ave & Indian School Rd.....	11:48	83rd Ave & Indian School Rd.....	15:24	44th St & Indian School Rd.....	18:44
59th Ave & Indian School Rd.....	11:59	107th Ave & Indian School Rd.	15:36	32nd St & Indian School Rd.....	18:49
43rd Ave & Indian School Rd.....	12:08	-----			
19th Ave & Indian School Rd.....	12:24	Deadhead		24th St & Indian School Rd.....	18:54
Central Ave & Indian School Rd.	12:33	107th Ave & Indian School Rd.	15:36	Central Ave & Indian School Rd.	19:05
Central Ave & Indian School Rd.	12:37	107th Ave & Indian School Rd.	15:42	Central Ave & Indian School Rd.	19:09
24th St & Indian School Rd.....	12:51	-----			
32nd St & Indian School Rd.....	12:55	41 / East / 172 / 20163685		19th Ave & Indian School Rd.....	19:16
44th St & Indian School Rd.....	13:02	107th Ave & Indian School Rd.	16:11	43rd Ave & Indian School Rd.....	19:32
56th St & Indian School Rd.....	13:05	83rd Ave & Indian School Rd.....	16:20	59th Ave & Indian School Rd.....	19:41
Scottsdale Rd & Indian School	13:12	59th Ave & Indian School Rd.....	16:31	83rd Ave & Indian School Rd.....	19:53
Granite Reef Rd & Indian Sch	13:20	43rd Ave & Indian School Rd.....	16:40	107th Ave & Indian School Rd.	20:04

Deadhead		19th Ave & Indian School Rd.....	16:54	Pull In	
Granite Reef Rd & Indian Sch	13:20	Central Ave & Indian School Rd.	17:03	107th Ave & Indian School Rd.	20:04
Pima Rd & Chaparral Rd.....	13:24	Central Ave & Indian School Rd.	17:07	West Transit Facility.....	20:19

Deadhead		24th St & Indian School Rd.....	17:21		
Pima Rd & Chaparral Rd.....	13:52	32nd St & Indian School Rd.....	17:25		
Granite Reef Rd & Indian Sch	13:56	44th St & Indian School Rd.....	17:32		

		56th St & Indian School Rd.....	17:35		
		Scottsdale Rd & Indian School	17:42		
		Granite Reef Rd & Indian Sch	17:50		

Phoenix West

Effective: 01/22/2024

2075
Saturday

Duty Type	Block	Report Time	Start Place	Start Time	End Time	End Place	Clear Time	Paid Time	Seat Time
TRP	CAR	11:08	WEST	11:13	11:27	94TH			
	2012		94TH	11:27	15:31	94TH			
	CAR		94TH	15:31	15:47	WEST	15:47	4h39	3h47

Sign-on	11:08	29 / West / 199 / 20163892		Travel by	CAR
		Pima Park.....	13:53		
Travel by	CAR	Scottsdale Rd & Thomas Rd.....	13:58	Car Pull	
		56th St & Thomas Rd.....	14:04	94th Av Layover.....	15:31
		44th St & Thomas Rd.....	14:12	West Transit Facility.....	15:47
Car Pull		24th St & Thomas Rd.....	14:26		
West Transit Facility.....	11:13	Central Ave & Thomas Rd.....	14:40	<i>29 / East / 31 / 20163857</i>	
94th Av Layover.....	11:27	19th Ave & Thomas Rd.....	14:47	<i>93rd Ave & Thomas Rd.....</i>	<i>16:01</i>
		35th Ave & Thomas Rd.....	14:57	<i>Thomas Rd at Desert Sky TC..</i>	<i>16:07</i>
Block	2012	51st Ave & Thomas Rd.....	15:04	<i>67th Ave & Thomas Rd.....</i>	<i>16:14</i>
		67th Ave & Thomas Rd.....	15:11	<i>51st Ave & Thomas Rd.....</i>	<i>16:24</i>
Deadhead		Desert Sky TC.....	15:21	<i>35th Ave & Thomas Rd.....</i>	<i>16:33</i>
94th Av Layover.....	11:59	Desert Sky TC.....	15:24	<i>19th Ave & Thomas Rd.....</i>	<i>16:42</i>
93rd Ave & Thomas Rd.....	12:00	93rd Ave & Thomas Rd.....	15:30	<i>Central Ave & Thomas Rd.....</i>	<i>16:50</i>
		Deadhead		<i>24th St & Thomas Rd.....</i>	<i>17:03</i>
		93rd Ave & Thomas Rd.....	15:30	<i>44th St & Thomas Rd.....</i>	<i>17:15</i>
		94th Av Layover.....	15:31	<i>56th St & Thomas Rd.....</i>	<i>17:22</i>
				<i>Scottsdale Rd & Thomas Rd...</i>	<i>17:28</i>
				<i>Pima Park.....</i>	<i>17:35</i>
		<i>29 / East / 31 / 20163852</i>			
93rd Ave & Thomas Rd.....	12:00				
Thomas Rd at Desert Sky TC....	12:06				
67th Ave & Thomas Rd.....	12:13				
51st Ave & Thomas Rd.....	12:23				
35th Ave & Thomas Rd.....	12:32				
19th Ave & Thomas Rd.....	12:42				
Central Ave & Thomas Rd.....	12:50				
24th St & Thomas Rd.....	13:03				
44th St & Thomas Rd.....	13:18				
56th St & Thomas Rd.....	13:25				
Scottsdale Rd & Thomas Rd.....	13:31				
Pima Park.....	13:38				

Phoenix West

Effective: 01/22/2024

2076
Saturday

Duty Type	Block	Report Time	Start Place	Start Time	End Time	End Place	Clear Time	Paid Time	Seat Time
ST	CAR	11:16	WEST	11:21	11:41	43LB			
	2036		43LB	11:41	19:05	43LB			
	CAR		43LB	19:05	19:26	WEST	19:26	8h10	7h00

Sign-on	11:16	43 / North / 182 / 20164004	Deadhead	
Travel by	CAR	43rd Ave & Lower Buckeye Rd 14:16	43rd Ave & Union Hills Dr..... 17:41	
Car Pull		43rd Ave & Van Buren St..... 14:22	43rd Ave & Union Hills Dr..... 17:48	
West Transit Facility..... 11:21		43rd Ave & Thomas Rd..... 14:32		
43rd Ave & Lower Buckeye Rd 11:41		43rd Ave & Camelback Rd..... 14:40	43 / South / 207 / 20163594	
Block	2036	43rd Ave & Glendale Ave..... 14:47	43rd Ave & Union Hills Dr..... 18:04	
		43rd Ave & Dunlap Ave..... 14:54	43rd Ave & Thunderbird Rd..... 18:11	
		43rd Ave & Thunderbird Rd..... 15:02	43rd Ave & Dunlap Ave..... 18:20	
		43rd Ave & Union Hills Dr..... 15:11	43rd Ave & Glendale Ave..... 18:27	
			43rd Ave & Camelback Rd..... 18:34	
43 / North / 182 / 20163572		Deadhead	43rd Ave & Thomas Rd..... 18:43	
43rd Ave & Lower Buckeye Rd 11:46		43rd Ave & Union Hills Dr..... 15:11	43rd Ave & Van Buren St..... 18:51	
43rd Ave & Van Buren St..... 11:52		43rd Ave & Union Hills Dr..... 15:18	43rd Ave & Lower Buckeye Rd 18:59	
43rd Ave & Thomas Rd..... 12:02				
43rd Ave & Camelback Rd..... 12:10		43 / South / 207 / 20163978	Deadhead	
43rd Ave & Glendale Ave..... 12:17		43rd Ave & Union Hills Dr..... 15:31	43rd Ave & Lower Buckeye Rd 18:59	
43rd Ave & Dunlap Ave..... 12:24		43rd Ave & Thunderbird Rd..... 15:39	43rd Ave & Lower Buckeye Rd 19:05	
43rd Ave & Thunderbird Rd..... 12:32		43rd Ave & Dunlap Ave..... 15:49		
43rd Ave & Union Hills Dr..... 12:41		43rd Ave & Glendale Ave..... 15:56	Travel by	CAR
		43rd Ave & Camelback Rd..... 16:04	Car Pull	
Deadhead		43rd Ave & Thomas Rd..... 16:13	43rd Ave & Lower Buckeye Rd 19:05	
43rd Ave & Union Hills Dr..... 12:41		43rd Ave & Van Buren St..... 16:23	West Transit Facility..... 19:26	
43rd Ave & Union Hills Dr..... 12:48		43rd Ave & Lower Buckeye Rd 16:31		
43 / South / 207 / 20163589		Deadhead	43 / North / 182 / 20163984	
43rd Ave & Union Hills Dr..... 13:02		43rd Ave & Lower Buckeye Rd 16:31	43rd Ave & Lower Buckeye Rd 19:18	
43rd Ave & Thunderbird Rd..... 13:09		43rd Ave & Lower Buckeye Rd 16:37	43rd Ave & Van Buren St..... 19:24	
43rd Ave & Dunlap Ave..... 13:19			43rd Ave & Thomas Rd..... 19:32	
43rd Ave & Glendale Ave..... 13:26		43 / North / 182 / 20163578	43rd Ave & Camelback Rd..... 19:40	
43rd Ave & Camelback Rd..... 13:34		43rd Ave & Lower Buckeye Rd 16:46	43rd Ave & Glendale Ave..... 19:47	
43rd Ave & Thomas Rd..... 13:44		43rd Ave & Van Buren St..... 16:52	43rd Ave & Dunlap Ave..... 19:53	
43rd Ave & Van Buren St..... 13:54		43rd Ave & Thomas Rd..... 17:02	43rd Ave & Thunderbird Rd..... 20:00	
43rd Ave & Lower Buckeye Rd 14:02		43rd Ave & Camelback Rd..... 17:10	43rd Ave & Union Hills Dr..... 20:09	
		43rd Ave & Glendale Ave..... 17:17		
Deadhead		43rd Ave & Dunlap Ave..... 17:24		
43rd Ave & Lower Buckeye Rd 14:02		43rd Ave & Thunderbird Rd..... 17:32		
43rd Ave & Lower Buckeye Rd 14:08		43rd Ave & Union Hills Dr..... 17:41		

Phoenix West

Effective: 01/22/2024

2077
Saturday

Duty Type	Block	Report Time	Start Place	Start Time	End Time	End Place	Clear Time	Paid Time	Seat Time
ST	CAR 2057	11:24	WEST DSTC	11:29 11:43	11:43 17:57	DSTC WEST	17:57	6h33	5h37

Sign-on	11:24	MARY / ClkWs / 786 / 20164355	MARY / ClkWs / 786 / 20164357
Desert Sky TC.....		14:00	Desert Sky TC.....
Travel by	CAR	59th Ave & Thomas Rd.....	59th Ave & Thomas Rd.....
		67th Ave & Campbell Ave.....	67th Ave & Campbell Ave.....
Car Pull		51st Ave & Indian School Rd.....	51st Ave & Indian School Rd.....
West Transit Facility.....	11:29	55th Ave & Encanto Blvd.....	55th Ave & Encanto Blvd.....
Desert Sky TC.....	11:43	63rd Ave & Fillmore St.....	63rd Ave & Fillmore St.....
		75th Ave & Encanto Blvd.....	75th Ave & Encanto Blvd.....
Block	2057	83rd Ave & Osborn Rd.....	83rd Ave & Osborn Rd.....
		Desert Sky TC.....	Desert Sky TC.....
			17:43
MARY / ClkWs / 786 / 20164353		Pull In	
Desert Sky TC.....	12:00		Desert Sky TC.....
59th Ave & Thomas Rd.....	12:13		West Transit Facility.....
67th Ave & Campbell Ave.....	12:24		17:57
51st Ave & Indian School Rd.....	12:35		
55th Ave & Encanto Blvd.....	12:49		
63rd Ave & Fillmore St.....	12:58		
75th Ave & Encanto Blvd.....	13:12		
83rd Ave & Osborn Rd.....	13:30		
Desert Sky TC.....	13:43		

Phoenix West

Effective: 01/22/2024

2078
Saturday

Duty Type	Block	Report Time	Start Place	Start Time	End Time	End Place	Clear Time	Paid Time	Seat Time
ST	CAR	11:28	WEST	11:33	11:45	51VB			
	2011		51VB	11:45	17:45	51VB			
	CAR		51VB	17:45	17:59	WEST	17:59	6h31	5h01

Sign-on	11:28	51 / South / 27 / 20164096	Travel by	CAR
Travel by	CAR	ASU West Campus.....		14:32
Car Pull		51st Ave & Olive Ave.....	Car Pull	14:44
West Transit Facility.....	11:33	51st Ave & Glendale Ave.....	51st Ave & Van Buren St.....	17:45
51st Ave & Van Buren St.....	11:45	51st Ave & Camelback Rd.....	West Transit Facility.....	17:59
Block	2011	51st Ave & Thomas Rd.....		
		51st Ave & Van Buren St.....	51st Ave & Lower Buckeye Rd	17:51
		51st Ave & Lower Buckeye Rd...	51st Ave & Baseline Rd.....	17:59
		51st Ave & Baseline Rd.....	Vee Quiva Casino.....	18:11
			Komatke Health Center.....	18:23
			51st Ave & Pecos Rd.....	18:27
51 / South / 28 / 20163618		Deadhead		
51st Ave & Van Buren St.....	11:45	51st Ave & Baseline Rd.....		15:28
51st Ave & Lower Buckeye Rd...	11:50	51st Ave & Baseline Rd.....		15:33
51st Ave & Baseline Rd.....	11:58		51 / North / 206 / 20163611	
Vee Quiva Casino.....	12:10	51 / North / 206 / 20164093	51st Ave & Pecos Rd.....	18:51
Komatke Health Center.....	12:22	51st Ave & Baseline Rd.....	Vee Quiva Casino.....	19:01
51st Ave & Pecos Rd.....	12:26	51st Ave & Lower Buckeye Rd...	51st Ave & Baseline Rd.....	19:13
		51st Ave & Van Buren St.....	51st Ave & Lower Buckeye Rd	19:20
		51st Ave & Thomas Rd.....	51st Ave & Van Buren St.....	19:27
51 / North / 206 / 20163606		51st Ave & Thomas Rd.....	51st Ave & Thomas Rd.....	19:35
51st Ave & Pecos Rd.....	12:51	51st Ave & Camelback Rd.....	51st Ave & Camelback Rd.....	19:43
Vee Quiva Casino.....	13:01	51st Ave & Glendale Ave.....	51st Ave & Glendale Ave.....	19:48
51st Ave & Baseline Rd.....	13:13	51st Ave & Olive Ave.....	51st Ave & Olive Ave.....	19:55
51st Ave & Lower Buckeye Rd...	13:20	ASU West Campus.....	ASU West Campus.....	20:06
51st Ave & Van Buren St.....	13:27			
51st Ave & Thomas Rd.....	13:35	51 / South / 28 / 20163624		
51st Ave & Camelback Rd.....	13:43	ASU West Campus.....		17:03
51st Ave & Glendale Ave.....	13:50	51st Ave & Olive Ave.....		17:15
51st Ave & Olive Ave.....	13:57	51st Ave & Glendale Ave.....		17:22
ASU West Campus.....	14:08	51st Ave & Camelback Rd.....		17:28
		51st Ave & Thomas Rd.....		17:37
		51st Ave & Van Buren St.....		17:45

Phoenix West

Effective: 01/22/2024

2079
Saturday

Duty Type	Block	Report Time	Start Place	Start Time	End Time	End Place	Clear Time	Paid Time	Seat Time
ST	CAR 2049	11:36	WEST 44MC	11:41 12:11	12:11 20:17	44MC WEST	20:17	8h41	7h18

Sign-on	11:36	Deadhead	17 / West / 127 / 20163764
Travel by	CAR	Pebble Creek Pkwy & McDow	14:57 Pima Rd & McDowell Rd..... 18:02
Car Pull		Pebble Creek Pkwy & McDow	Scottsdale Rd & McDowell Rd.... 18:09
West Transit Facility.....	11:41	17 / East / 132 / 20163747	52nd St & McDowell Rd..... 18:16
44th St & McDowell Rd.....	12:11	Pebble Creek Pkwy & McDow	44th St & McDowell Rd..... 18:19
		Litchfield Rd & McDowell Rd.....	24th St & McDowell Rd..... 18:31
Block	2049	99th Ave & McDowell Rd.....	Central Ave & McDowell Rd..... 18:43
		83rd Ave & McDowell Rd.....	19th Ave & McDowell Rd..... 18:51
		67th Ave & McDowell Rd.....	43rd Ave & McDowell Rd..... 19:06
		43rd Ave & McDowell Rd.....	67th Ave & McDowell Rd..... 19:20
		19th Ave & McDowell Rd.....	83rd Ave & McDowell Rd..... 19:27
44th St & McDowell Rd.....	12:11	Central Ave & McDowell Rd.....	99th Ave & McDowell Rd..... 19:35
52nd St & McDowell Rd.....	12:14	24th St & McDowell Rd.....	Litchfield Rd & McDowell Rd..... 19:50
Scottsdale Rd & McDowell Rd....	12:22	44th St & McDowell Rd.....	Pebble Creek Pkwy & McDow
Pima Rd & McDowell Rd.....	12:30	52nd St & McDowell Rd.....	19:57
		Scottsdale Rd & McDowell Rd....	Pull In
Deadhead		Pima Rd & McDowell Rd.....	Pebble Creek Pkwy & McDow
Pima Rd & McDowell Rd.....	12:30	Pima Rd & McDowell Rd.....	19:57
Pima Rd & McDowell Rd.....	12:37		West Transit Facility.....
		Deadhead	20:17
		Pima Rd & McDowell Rd.....	
		Pima Rd & McDowell Rd.....	
		17 / West / 127 / 20163759	
Pima Rd & McDowell Rd.....	13:02	Scottsdale Rd & McDowell Rd....	
Scottsdale Rd & McDowell Rd....	13:09	52nd St & McDowell Rd.....	
52nd St & McDowell Rd.....	13:16	44th St & McDowell Rd.....	
44th St & McDowell Rd.....	13:19	24th St & McDowell Rd.....	
24th St & McDowell Rd.....	13:31	Central Ave & McDowell Rd.....	
Central Ave & McDowell Rd.....	13:43	19th Ave & McDowell Rd.....	
19th Ave & McDowell Rd.....	13:51	43rd Ave & McDowell Rd.....	
43rd Ave & McDowell Rd.....	14:06	67th Ave & McDowell Rd.....	
67th Ave & McDowell Rd.....	14:20	83rd Ave & McDowell Rd.....	
83rd Ave & McDowell Rd.....	14:27	99th Ave & McDowell Rd.....	
99th Ave & McDowell Rd.....	14:35	Litchfield Rd & McDowell Rd.....	
Litchfield Rd & McDowell Rd.....	14:50	Pebble Creek Pkwy & McDow	
Pebble Creek Pkwy & McDow	14:57		

Phoenix West

Effective: 01/22/2024

2080
Saturday

Duty Type	Block	Report Time	Start Place	Start Time	End Time	End Place	Clear Time	Paid Time	Seat Time
ST	CAR	11:41	WEST 94TH	11:46	12:00	94TH	20:09	8h28	6h50

Sign-on	11:41	29 / West / 199 / 20163893	29 / East / 31 / 20163871
		Pima Park.....	93rd Ave & Thomas Rd.....
Travel by	CAR	Scottsdale Rd & Thomas Rd.....	Thomas Rd at Desert Sky TC....
		56th St & Thomas Rd.....	67th Ave & Thomas Rd.....
Car Pull		44th St & Thomas Rd.....	51st Ave & Thomas Rd.....
West Transit Facility.....	11:46	24th St & Thomas Rd.....	35th Ave & Thomas Rd.....
94th Av Layover.....	12:00	Central Ave & Thomas Rd.....	19th Ave & Thomas Rd.....
		19th Ave & Thomas Rd.....	Central Ave & Thomas Rd.....
Block	2035	35th Ave & Thomas Rd.....	24th St & Thomas Rd.....
		51st Ave & Thomas Rd.....	44th St & Thomas Rd.....
Deadhead		67th Ave & Thomas Rd.....	56th St & Thomas Rd.....
94th Av Layover.....	12:29	Desert Sky TC.....	Scottsdale Rd & Thomas Rd.....
93rd Ave & Thomas Rd.....	12:30	Desert Sky TC.....	Pima Park.....
		93rd Ave & Thomas Rd.....	16:00
-----		-----	
29 / East / 31 / 20163869		Deadhead	29 / West / 199 / 20163894
93rd Ave & Thomas Rd.....	12:30	93rd Ave & Thomas Rd.....	Pima Park.....
Thomas Rd at Desert Sky TC....	12:36	94th Av Layover.....	18:25
67th Ave & Thomas Rd.....	12:43		Scottsdale Rd & Thomas Rd.....
51st Ave & Thomas Rd.....	12:53		56th St & Thomas Rd.....
35th Ave & Thomas Rd.....	13:02		44th St & Thomas Rd.....
19th Ave & Thomas Rd.....	13:12	Deadhead	24th St & Thomas Rd.....
Central Ave & Thomas Rd.....	13:20	94th Av Layover.....	18:58
24th St & Thomas Rd.....	13:33	93rd Ave & Thomas Rd.....	19:10
44th St & Thomas Rd.....	13:48		19th Ave & Thomas Rd.....
56th St & Thomas Rd.....	13:55		35th Ave & Thomas Rd.....
Scottsdale Rd & Thomas Rd.....	14:01		51st Ave & Thomas Rd.....
Pima Park.....	14:08		67th Ave & Thomas Rd.....
			Desert Sky TC.....
			Desert Sky TC.....
			93rd Ave & Thomas Rd.....
			19:56

			Pull In
			93rd Ave & Thomas Rd.....
			19:56
			West Transit Facility.....
			20:09

Phoenix West

Effective: 01/22/2024

2081
Saturday

Duty Type	Block	Report Time	Start Place	Start Time	End Time	End Place	Clear Time	Paid Time	Seat Time
ST	CAR 2063	11:55	WEST DSTC	12:00 12:14	12:14 18:28	DSTC WEST	18:28	6h33	5h40

Sign-on	11:55	MARY / CCIkWs / 787 / 20164344	MARY / CCIkWs / 787 / 20164346
<hr/>		Desert Sky TC..... 14:30	Desert Sky TC..... 16:30
Travel by	CAR	83rd Ave & Osborn Rd..... 14:46	83rd Ave & Osborn Rd..... 16:46
<hr/>		75th Ave & Encanto Blvd..... 15:04	75th Ave & Encanto Blvd..... 17:04
Car Pull		63rd Ave & Fillmore St..... 15:18	63rd Ave & Fillmore St..... 17:18
West Transit Facility..... 12:00		55th Ave & Encanto Blvd..... 15:27	55th Ave & Encanto Blvd..... 17:27
Desert Sky TC..... 12:14		51st Ave & Indian School Rd..... 15:40	51st Ave & Indian School Rd..... 17:40
<hr/>		67th Ave & Campbell Ave..... 15:51	67th Ave & Campbell Ave..... 17:51
Block	2063	59th Ave & Thomas Rd..... 16:02	59th Ave & Thomas Rd..... 18:02
<hr/>		Desert Sky TC..... 16:14	Desert Sky TC..... 18:14
<hr/>		-----	
MARY / CCIkWs / 787 / 20164336			Pull In
Desert Sky TC..... 12:30		83rd Ave & Osborn Rd..... 12:46	Desert Sky TC..... 18:14
		75th Ave & Encanto Blvd..... 13:04	West Transit Facility..... 18:28
		63rd Ave & Fillmore St..... 13:18	
		55th Ave & Encanto Blvd..... 13:27	
		51st Ave & Indian School Rd..... 13:40	
		67th Ave & Campbell Ave..... 13:51	
		59th Ave & Thomas Rd..... 14:02	
		Desert Sky TC..... 14:14	
<hr/>		-----	

Phoenix West

Effective: 01/22/2024

2082
Saturday

Duty Type	Block	Report Time	Start Place	Start Time	End Time	End Place	Clear Time	Paid Time	Seat Time
ST	CAR 2016	12:04	WEST 51HD	12:09 12:20	12:20 21:27	51HD WEST	21:27	9h23	7h01

Sign-on	12:04	Deadhead				Deadhead			
		59th Ave & Buckeye Rd.....		15:16		51st Ave & Hadley St.....		18:50	
Travel by	CAR	51st Ave & Hadley St.....		15:20		59th Ave & Buckeye Rd.....		18:54	
Car Pull		Deadhead				59 / North / 830 / 20163634			
West Transit Facility.....	12:09	51st Ave & Hadley St.....		15:49		59th Ave & Buckeye Rd.....		18:54	
51st Ave & Hadley St.....	12:20	59th Ave & Buckeye Rd.....		15:53		59th Ave & Van Buren St.....		18:56	
Block	2016	59 / North / 830 / 20163644				59th Ave & Thomas Rd.....		19:04	
		59th Ave & Buckeye Rd.....		15:53		59th Ave & Camelback Rd.....		19:13	
Deadhead		59th Ave & Van Buren St.....		15:55		59th Ave & Glendale Ave.....		19:22	
51st Ave & Hadley St.....	12:49	59th Ave & Thomas Rd.....		16:04		59th Ave & Olive Ave.....		19:30	
59th Ave & Buckeye Rd.....	12:53	59th Ave & Camelback Rd.....		16:13		59th Ave & Thunderbird Rd.....		19:41	
		59th Ave & Glendale Ave.....		16:23		59th Ave & Bell Rd.....		19:48	
		59th Ave & Olive Ave.....		16:33		59th Ave & Beardsley Rd.....		19:55	
59 / North / 830 / 20163643		59th Ave & Thunderbird Rd.....		16:45					
59th Ave & Buckeye Rd.....	12:53	59th Ave & Bell Rd.....		16:52		59 / South / 220 / 20163642			
59th Ave & Van Buren St.....	12:55	59th Ave & Beardsley Rd.....		17:01		59th Ave & Beardsley Rd.....		20:19	
59th Ave & Thomas Rd.....	13:04	59th Ave & Bell Rd.....		17:19		59th Ave & Bell Rd.....		20:24	
59th Ave & Camelback Rd.....	13:13	59th Ave & Thunderbird Rd.....		17:26		59th Ave & Thunderbird Rd.....		20:30	
59th Ave & Glendale Ave.....	13:23	59th Ave & Olive Ave.....		17:38		59th Ave & Olive Ave.....		20:41	
59th Ave & Olive Ave.....	13:33	59th Ave & Glendale Ave.....		17:48		59th Ave & Glendale Ave.....		20:49	
59th Ave & Thunderbird Rd.....	13:45	59th Ave & Camelback Rd.....		17:57		59th Ave & Camelback Rd.....		20:57	
59th Ave & Bell Rd.....	13:52	59th Ave & Thomas Rd.....		18:04		59th Ave & Thomas Rd.....		21:04	
59th Ave & Beardsley Rd.....	14:00	59th Ave & Van Buren St.....		18:13		59th Ave & Van Buren St.....		21:12	
		59th Ave & Bell Rd.....		18:16		59th Ave & Buckeye Rd.....		21:15	
59 / South / 220 / 20163645		59th Ave & Glendale Ave.....		18:20					
59th Ave & Beardsley Rd.....	14:13	59th Ave & Camelback Rd.....		18:16		Pull In			
59th Ave & Bell Rd.....	14:19	59th Ave & Thomas Rd.....		18:16		59th Ave & Buckeye Rd.....		21:15	
59th Ave & Thunderbird Rd.....	14:26	59th Ave & Van Buren St.....		18:16		West Transit Facility.....		21:27	
59th Ave & Olive Ave.....	14:38	59th Ave & Buckeye Rd.....		18:16					
59th Ave & Glendale Ave.....	14:48								
59th Ave & Camelback Rd.....	14:57	Deadhead							
59th Ave & Thomas Rd.....	15:04	59th Ave & Buckeye Rd.....		18:16					
59th Ave & Van Buren St.....	15:13	51st Ave & Hadley St.....		18:20					
59th Ave & Buckeye Rd.....	15:16								

Phoenix West

Effective: 01/22/2024

2083
Saturday

Duty Type	Block	Report Time	Start Place	Start Time	End Time	End Place	Clear Time	Paid Time	Seat Time
ST	CAR	12:02	WEST	12:07	12:15	83VB			
	2007		83VB	12:15	18:15	83VB			
	CAR		83VB	18:15	18:22	WEST	18:22	6h20	5h05

Sign-on	12:02	Deadhead	Deadhead
Travel by	CAR	83rd Ave & Van Buren St..... 15:11	83rd Ave & Van Buren St..... 18:11
Car Pull		3 / East / 86 / 20163945	Travel by CAR
West Transit Facility..... 12:07	12:07	83rd Ave & Van Buren St..... 15:25	83rd Ave & Van Buren St..... 18:15
83rd Ave & Van Buren St..... 12:15	12:15	67th Ave & Van Buren St..... 15:30	West Transit Facility..... 18:22
Block	2007	51st Ave & Van Buren St..... 15:39	
		35th Ave & Van Buren St..... 15:48	
		19th Ave & Van Buren St..... 15:56	
		Central Ave & Van Buren St..... 16:05	
3 / East / 86 / 20163940		24th St & Van Buren St..... 16:16	3 / East / 86 / 20163946
83rd Ave & Van Buren St..... 12:25	12:25	44th St & Van Buren St..... 16:25	83rd Ave & Van Buren St..... 18:25
67th Ave & Van Buren St..... 12:30	12:30	Galvin Pkwy & Van Buren St..... 16:32	67th Ave & Van Buren St..... 18:30
51st Ave & Van Buren St..... 12:39	12:39	Phoenix Zoo..... 16:36	51st Ave & Van Buren St..... 18:39
35th Ave & Van Buren St..... 12:48	12:48		35th Ave & Van Buren St..... 18:48
19th Ave & Van Buren St..... 12:56	12:56		19th Ave & Van Buren St..... 18:56
Central Ave & Van Buren St..... 13:05	13:05		Central Ave & Van Buren St.... 19:05
24th St & Van Buren St..... 13:16	13:16	3 / West / 104 / 20163915	24th St & Van Buren St..... 19:16
44th St & Van Buren St..... 13:25	13:25	Phoenix Zoo..... 17:01	44th St & Van Buren St..... 19:25
Galvin Pkwy & Van Buren St..... 13:32	13:32	Galvin Pkwy & Van Buren St..... 17:04	Galvin Pkwy & Van Buren St... 19:32
Phoenix Zoo..... 13:36	13:36	44th St & Van Buren St..... 17:10	Phoenix Zoo..... 19:36
		24th St & Van Buren St..... 17:18	
		2nd Ave & Van Buren St..... 17:30	
3 / West / 104 / 20163912		19th Ave & Van Buren St..... 17:38	
Phoenix Zoo..... 14:01	14:01	35th Ave & Van Buren St..... 17:47	
Galvin Pkwy & Van Buren St..... 14:04	14:04	51st Ave & Van Buren St..... 17:56	
44th St & Van Buren St..... 14:10	14:10	67th Ave & Van Buren St..... 18:03	
24th St & Van Buren St..... 14:18	14:18	83rd Ave & Van Buren St..... 18:11	
2nd Ave & Van Buren St..... 14:30	14:30		
19th Ave & Van Buren St..... 14:38	14:38		
35th Ave & Van Buren St..... 14:47	14:47		
51st Ave & Van Buren St..... 14:56	14:56		
67th Ave & Van Buren St..... 15:03	15:03		
83rd Ave & Van Buren St..... 15:11	15:11		

Phoenix West

Effective: 01/22/2024

2084
Saturday

Duty Type	Block	Report Time	Start Place	Start Time	End Time	End Place	Clear Time	Paid Time	Seat Time
ST	CAR 2013	12:10	WEST 83MC	12:15 12:27	12:27 21:12	83MC WEST	21:12	9h02	7h36

Sign-on	12:10	Deadhead	17 / East / 132 / 20163749
Travel by	CAR	Pima Rd & McDowell Rd.....	15:30 Pebble Creek Pkwy & McDow 18:32
Car Pull		Pima Rd & McDowell Rd.....	15:37 Litchfield Rd & McDowell Rd..... 18:39
West Transit Facility.....	12:15	17 / West / 127 / 20163762	99th Ave & McDowell Rd..... 18:54
83rd Ave & McDowell Rd.....	12:27	Pima Rd & McDowell Rd.....	16:02 83rd Ave & McDowell Rd..... 19:02
Block	2013	Scottsdale Rd & McDowell Rd....	67th Ave & McDowell Rd..... 19:09
		52nd St & McDowell Rd.....	43rd Ave & McDowell Rd..... 19:22
		44th St & McDowell Rd.....	19th Ave & McDowell Rd..... 19:37
		24th St & McDowell Rd.....	Central Ave & McDowell Rd..... 19:47
		Central Ave & McDowell Rd.....	24th St & McDowell Rd..... 19:59
		19th Ave & McDowell Rd.....	44th St & McDowell Rd..... 20:08
		43rd Ave & McDowell Rd.....	52nd St & McDowell Rd..... 20:11
		67th Ave & McDowell Rd.....	Scottsdale Rd & McDowell Rd.... 20:17
		83rd Ave & McDowell Rd.....	Pima Rd & McDowell Rd..... 20:24
		99th Ave & McDowell Rd.....	
Deadhead		Litchfield Rd & McDowell Rd.....	Pull In
Pebble Creek Pkwy & McDow	12:57	Pebble Creek Pkwy & McDow	Pima Rd & McDowell Rd..... 20:24
Pebble Creek Pkwy & McDow	13:04		West Transit Facility..... 21:12
		Deadhead	
		Pebble Creek Pkwy & McDow	17:57
		Pebble Creek Pkwy & McDow	18:04
		17 / East / 132 / 20163748	
		Pebble Creek Pkwy & McDow	13:32
		Litchfield Rd & McDowell Rd.....	13:39
		99th Ave & McDowell Rd.....	13:54
		83rd Ave & McDowell Rd.....	14:02
		67th Ave & McDowell Rd.....	14:09
		43rd Ave & McDowell Rd.....	14:22
		19th Ave & McDowell Rd.....	14:37
		Central Ave & McDowell Rd.....	14:47
		24th St & McDowell Rd.....	14:59
		44th St & McDowell Rd.....	15:11
		52nd St & McDowell Rd.....	15:14
		Scottsdale Rd & McDowell Rd....	15:22
		Pima Rd & McDowell Rd.....	15:30

Phoenix West

Effective: 01/22/2024

2085

Saturday

Duty Type	Block	Report Time	Start Place	Start Time	End Time	End Place	Clear Time	Paid Time	Seat Time
ST	CAR 2023	12:23	WEST DSTC	12:28 12:42	12:42 22:47	DSTC WEST	22:47	10h24	8h01

Sign-on	12:23	75 / South / 149 / 20163793				Deadhead			
		75th Ave & Camelback Rd.....	15:30			75th Ave & Camelback Rd.....	19:24		
Travel by	CAR	Desert Sky TC.....	15:39			67th Ave & Camelback Rd.....	19:27		
		75th Ave & Van Buren St.....	15:52						
Car Pull		75th Ave & Lower Buckeye Rd	15:56			67 / South / 254 / 20164143			
West Transit Facility.....	12:28					67th Ave & Camelback Rd.....	19:45		
Desert Sky TC.....	12:42	Deadhead				67th Ave & Thomas Rd.....	19:52		
		75th Ave & Lower Buckeye Rd	16:10			67th Ave & Van Buren St.....	20:00		
Block	2023	Sierra Linda HS-North.....	16:15			Sierra Linda HS-South.....	20:07		
83 / North / 183 / 20164184		67 / North / 108 / 20163520				Deadhead			
Desert Sky TC.....	12:42	Sierra Linda HS-North.....	16:15			Sierra Linda HS-South.....	20:07		
83rd Ave & Camelback Rd.....	12:52	67th Ave & Van Buren St.....	16:24			75th Ave & Lower Buckeye Rd	20:12		
83rd Ave & Glendale Ave.....	12:57	67th Ave & Thomas Rd.....	16:33						
83rd Ave & Peoria Ave.....	13:09	67th Ave & Camelback Rd.....	16:40			75 / North / 147 / 20163812			
83rd Ave & Thunderbird Rd.....	13:15	67th Ave & Glendale Ave.....	16:50			75th Ave & Lower Buckeye Rd	20:25		
Arrowhead Mall North.....	13:26	67th Ave & Olive Ave.....	16:56			75th Ave & Van Buren St.....	20:30		
		67th Ave & Thunderbird Rd.....	17:06			Desert Sky TC.....	20:41		
Deadhead		67th Ave & Union Hills Dr.....	17:16			75th Ave & Camelback Rd.....	20:49		
Arrowhead Mall North.....	13:26								
Arrowhead Mall Layover.....	13:28	Deadhead				Deadhead			
		67th Ave & Union Hills Dr.....	17:16			75th Ave & Camelback Rd.....	20:49		
Deadhead		67th Ave & Union Hills Dr.....	17:21			83rd Ave & Camelback Rd.....	20:52		
Arrowhead Mall Layover.....	13:55								
Arrowhead Mall North.....	13:57	67 / South / 254 / 20163535				83 / South / 155 / 20163831			
		67th Ave & Union Hills Dr.....	17:39			83rd Ave & Camelback Rd.....	21:05		
83 / South / 155 / 20164185		67th Ave & Thunderbird Rd.....	17:50			Desert Sky TC.....	21:11		
Arrowhead Mall North.....	13:57	67th Ave & Olive Ave.....	17:59			83rd Ave & Van Buren St.....	21:19		
83rd Ave & Thunderbird Rd.....	14:08	67th Ave & Glendale Ave.....	18:06						
83rd Ave & Peoria Ave.....	14:14	67th Ave & Camelback Rd.....	18:15			Deadhead			
83rd Ave & Glendale Ave.....	14:27	67th Ave & Thomas Rd.....	18:23			83rd Ave & Van Buren St.....	21:19		
83rd Ave & Camelback Rd.....	14:32	67th Ave & Van Buren St.....	18:31			83rd Ave & Van Buren St.....	21:23		
Desert Sky TC.....	14:41	Sierra Linda HS-South.....	18:39						
83rd Ave & Van Buren St.....	14:51								
		Deadhead				83 / North / 183 / 20164206			
Deadhead		Sierra Linda HS-South.....	18:39			83rd Ave & Van Buren St.....	21:34		
83rd Ave & Van Buren St.....	14:51	75th Ave & Lower Buckeye Rd	18:44			Desert Sky TC.....	21:42		
83rd Ave & Van Buren St.....	14:55					83rd Ave & Camelback Rd.....	21:50		
		75 / North / 147 / 20164156				83rd Ave & Glendale Ave.....	21:55		
83 / North / 153 / 20163839		75th Ave & Lower Buckeye Rd	18:55			83rd Ave & Peoria Ave.....	22:05		
83rd Ave & Van Buren St.....	15:03	75th Ave & Van Buren St.....	19:00			83rd Ave & Thunderbird Rd.....	22:11		
Desert Sky TC.....	15:12	Desert Sky TC.....	19:14			Arrowhead Mall North.....	22:20		
83rd Ave & Camelback Rd.....	15:22	75th Ave & Camelback Rd.....	19:24						
						Pull In			
Deadhead						Arrowhead Mall North.....	22:20		
83rd Ave & Camelback Rd.....	15:22					West Transit Facility.....	22:47		
75th Ave & Camelback Rd.....	15:25								

Phoenix West

Effective: 01/22/2024

2086
Saturday

Duty Type	Block	Report Time	Start Place	Start Time	End Time	End Place	Clear Time	Paid Time	Seat Time
ST	CAR 2064	12:24	WEST DSTC	12:29 12:43	12:43 18:57	DSTC WEST	18:57	6h33	5h37

Sign-on	12:24	MARY / ClkWs / 786 / 20164356	MARY / ClkWs / 786 / 20164358
Desert Sky TC.....		15:00	Desert Sky TC.....
Travel by	CAR	59th Ave & Thomas Rd.....	59th Ave & Thomas Rd.....
		67th Ave & Campbell Ave.....	67th Ave & Campbell Ave.....
Car Pull		51st Ave & Indian School Rd.....	51st Ave & Indian School Rd.....
West Transit Facility.....	12:29	55th Ave & Encanto Blvd.....	55th Ave & Encanto Blvd.....
Desert Sky TC.....	12:43	63rd Ave & Fillmore St.....	63rd Ave & Fillmore St.....
		75th Ave & Encanto Blvd.....	75th Ave & Encanto Blvd.....
Block	2064	83rd Ave & Osborn Rd.....	83rd Ave & Osborn Rd.....
		Desert Sky TC.....	Desert Sky TC.....
			16:43
MARY / ClkWs / 786 / 20164354		Pull In	
Desert Sky TC.....	13:00		Desert Sky TC.....
59th Ave & Thomas Rd.....	13:13		West Transit Facility.....
67th Ave & Campbell Ave.....	13:24		18:43
51st Ave & Indian School Rd.....	13:35		18:57
55th Ave & Encanto Blvd.....	13:49		
63rd Ave & Fillmore St.....	13:58		
75th Ave & Encanto Blvd.....	14:12		
83rd Ave & Osborn Rd.....	14:30		
Desert Sky TC.....	14:43		

Phoenix West

Effective: 01/22/2024

2087
Saturday

Duty Type	Block	Report Time	Start Place	Start Time	End Time	End Place	Clear Time	Paid Time	Seat Time
ST	CAR 2003	12:25	WEST 94TH	12:30 12:44	12:44 22:22	94TH WEST	22:22	9h57	8h21

Sign-on	12:25	Deadhead	Deadhead
Travel by	CAR	93rd Ave & Thomas Rd..... 16:29	93rd Ave & Thomas Rd..... 20:23
Car Pull		94th Av Layover..... 16:30	94th Av Layover..... 20:24
West Transit Facility..... 12:30		Deadhead	Deadhead
94th Av Layover..... 12:44		94th Av Layover..... 17:00	94th Av Layover..... 20:37
		93rd Ave & Thomas Rd..... 17:01	93rd Ave & Thomas Rd..... 20:38
Block	2003	29 / East / 31 / 20163854	29 / East / 257 / 20164016
Deadhead		93rd Ave & Thomas Rd..... 17:01	93rd Ave & Thomas Rd..... 20:38
94th Av Layover..... 12:59		Thomas Rd at Desert Sky TC.... 17:07	Thomas Rd at Desert Sky TC.... 20:43
93rd Ave & Thomas Rd..... 13:00		67th Ave & Thomas Rd..... 17:14	67th Ave & Thomas Rd..... 20:49
		51st Ave & Thomas Rd..... 17:24	51st Ave & Thomas Rd..... 20:57
		35th Ave & Thomas Rd..... 17:33	35th Ave & Thomas Rd..... 21:04
		19th Ave & Thomas Rd..... 17:42	19th Ave & Thomas Rd..... 21:13
29 / East / 31 / 20163853		Central Ave & Thomas Rd..... 17:50	Central Ave & Thomas Rd..... 21:20
93rd Ave & Thomas Rd..... 13:00		24th St & Thomas Rd..... 18:03	24th St & Thomas Rd..... 21:31
Thomas Rd at Desert Sky TC.... 13:06		44th St & Thomas Rd..... 18:15	44th St & Thomas Rd..... 21:41
67th Ave & Thomas Rd..... 13:13		56th St & Thomas Rd..... 18:22	56th St & Thomas Rd..... 21:47
51st Ave & Thomas Rd..... 13:23		Scottsdale Rd & Thomas Rd.... 18:28	
35th Ave & Thomas Rd..... 13:32		Pima Park..... 18:35	
19th Ave & Thomas Rd..... 13:42			Pull In
Central Ave & Thomas Rd..... 13:50			56th St & Thomas Rd..... 21:47
24th St & Thomas Rd..... 14:03		29 / West / 199 / 20163902	West Transit Facility..... 22:22
44th St & Thomas Rd..... 14:18		Pima Park..... 18:55	
56th St & Thomas Rd..... 14:25		Scottsdale Rd & Thomas Rd.... 19:00	
Scottsdale Rd & Thomas Rd.... 14:31		56th St & Thomas Rd..... 19:06	
Pima Park..... 14:38		44th St & Thomas Rd..... 19:13	
		24th St & Thomas Rd..... 19:28	
29 / West / 199 / 20163890		Central Ave & Thomas Rd..... 19:40	
Pima Park..... 14:51		19th Ave & Thomas Rd..... 19:46	
Scottsdale Rd & Thomas Rd.... 14:56		35th Ave & Thomas Rd..... 19:54	
56th St & Thomas Rd..... 15:02		51st Ave & Thomas Rd..... 20:00	
44th St & Thomas Rd..... 15:11		67th Ave & Thomas Rd..... 20:06	
24th St & Thomas Rd..... 15:25		Desert Sky TC..... 20:14	
Central Ave & Thomas Rd..... 15:40		Desert Sky TC..... 20:17	
19th Ave & Thomas Rd..... 15:47		93rd Ave & Thomas Rd..... 20:23	
35th Ave & Thomas Rd..... 15:56			
51st Ave & Thomas Rd..... 16:03			
67th Ave & Thomas Rd..... 16:10			
Desert Sky TC..... 16:20			
Desert Sky TC..... 16:23			
93rd Ave & Thomas Rd..... 16:29			

Phoenix West

Effective: 01/22/2024

2088
Saturday

Duty Type	Block	Report Time	Start Place	Start Time	End Time	End Place	Clear Time	Paid Time	Seat Time
ST	CAR 2029	12:42	WEST 83VB	12:47 12:55	12:55 20:31	83VB WEST	20:31	7h49	6h32

Sign-on	12:42	3 / West / 546 / 20163956		3 / West / 546 / 20163960	
		Phoenix Zoo.....	14:31	Phoenix Zoo.....	18:31
Travel by	CAR	Galvin Pkwy & Van Buren St.....	14:34	Galvin Pkwy & Van Buren St.....	18:34
		44th St & Van Buren St.....	14:40	44th St & Van Buren St.....	18:40
		24th St & Van Buren St.....	14:48	24th St & Van Buren St.....	18:48
Car Pull		2nd Ave & Van Buren St.....	15:00	2nd Ave & Van Buren St.....	19:00
West Transit Facility.....	12:47	19th Ave & Van Buren St.....	15:08	19th Ave & Van Buren St.....	19:08
83rd Ave & Van Buren St.....	12:55	35th Ave & Van Buren St.....	15:17	35th Ave & Van Buren St.....	19:17
Block	2029	51st Ave & Van Buren St.....	15:26	51st Ave & Van Buren St.....	19:26
		67th Ave & Van Buren St.....	15:33	67th Ave & Van Buren St.....	19:33
		83rd Ave & Van Buren St.....	15:41	83rd Ave & Van Buren St.....	19:41
		99th Ave & Van Buren St.....	15:48	99th Ave & Van Buren St.....	19:48
		Avondale Civic Center.....	15:55	Avondale Civic Center.....	19:55
		4th St & La Canada Blvd.....	16:06	4th St & La Canada Blvd.....	20:06

		3 / East / 86 / 20163925		Pull In	
83rd Ave & Van Buren St.....	12:55	4th St & La Canada Blvd.....	16:28	4th St & La Canada Blvd.....	20:06
67th Ave & Van Buren St.....	13:00	Avondale Civic Center.....	16:42	West Transit Facility.....	20:31
51st Ave & Van Buren St.....	13:09	99th Ave & Van Buren St.....	16:48		
35th Ave & Van Buren St.....	13:18	83rd Ave & Van Buren St.....	16:55		
19th Ave & Van Buren St.....	13:26	67th Ave & Van Buren St.....	17:00		
Central Ave & Van Buren St.....	13:35	51st Ave & Van Buren St.....	17:09		
24th St & Van Buren St.....	13:46	35th Ave & Van Buren St.....	17:18		
44th St & Van Buren St.....	13:55	19th Ave & Van Buren St.....	17:26		
Galvin Pkwy & Van Buren St.....	14:02	Central Ave & Van Buren St.....	17:35		
Phoenix Zoo.....	14:06	24th St & Van Buren St.....	17:46		
		44th St & Van Buren St.....	17:55		
		Galvin Pkwy & Van Buren St.....	18:02		
		Phoenix Zoo.....	18:06		

Phoenix West

Effective: 01/22/2024

2089
Saturday

Duty Type	Block	Report Time	Start Place	Start Time	End Time	End Place	Clear Time	Paid Time	Seat Time
ST	CAR 2060	12:49	WEST 107I-E	12:54 13:12	13:12 20:39	107I-E WEST	20:39	7h50	6h20

Sign-on	12:49	Deadhead	Deadhead
Travel by	CAR	Granite Reef Rd & Indian Sch	107th Ave & Indian School Rd.
		Pima Rd & Chaparral Rd.....	107th Ave & Indian School Rd.
Car Pull		Deadhead	41 / East / 172 / 20163687
West Transit Facility.....	12:54	Pima Rd & Chaparral Rd.....	107th Ave & Indian School Rd.
107th Ave & Indian School Rd.	13:12	Granite Reef Rd & Indian Sch	18:11
Block	2060	41 / West / 724 / 20163714	83rd Ave & Indian School Rd.....
		Granite Reef Rd & Indian Sch	59th Ave & Indian School Rd.....
41 / East / 172 / 20163673		Scottsdale Rd & Indian School	43rd Ave & Indian School Rd.....
107th Ave & Indian School Rd.	13:40	56th St & Indian School Rd.....	19th Ave & Indian School Rd.....
83rd Ave & Indian School Rd.....	13:48	44th St & Indian School Rd.....	Central Ave & Indian School Rd.
59th Ave & Indian School Rd.....	13:59	32nd St & Indian School Rd.....	Central Ave & Indian School Rd.
43rd Ave & Indian School Rd.....	14:08	24th St & Indian School Rd.....	24th St & Indian School Rd.....
19th Ave & Indian School Rd.....	14:24	Central Ave & Indian School Rd.	32nd St & Indian School Rd.....
Central Ave & Indian School Rd.	14:33	Central Ave & Indian School Rd.	44th St & Indian School Rd.....
Central Ave & Indian School Rd.	14:37	19th Ave & Indian School Rd.....	56th St & Indian School Rd.....
24th St & Indian School Rd.....	14:51	43rd Ave & Indian School Rd.....	Scottsdale Rd & Indian School
32nd St & Indian School Rd.....	14:55	59th Ave & Indian School Rd.....	Granite Reef Rd & Indian Sch
44th St & Indian School Rd.....	15:02	83rd Ave & Indian School Rd.....	19:49
56th St & Indian School Rd.....	15:05	107th Ave & Indian School Rd.	20:39
Scottsdale Rd & Indian School	15:12		
Granite Reef Rd & Indian Sch	15:20		

Phoenix West

Effective: 01/22/2024

2090
Saturday

Duty Type	Block	Report Time	Start Place	Start Time	End Time	End Place	Clear Time	Paid Time	Seat Time
ST	CAR 2024	12:57	WEST 43MC	13:02 13:22	13:22 21:33	43MC WEST	21:33	8h36	7h09

Sign-on	12:57	17 / West / 127 / 20163761	Deadhead
Travel by	CAR	Pima Rd & McDowell Rd.....	15:02 Pima Rd & McDowell Rd..... 19:30
Car Pull		Scottsdale Rd & McDowell Rd....	15:09 Pima Rd & McDowell Rd..... 19:37
West Transit Facility.....	13:02	52nd St & McDowell Rd.....	-----
43rd Ave & McDowell Rd.....	13:22	44th St & McDowell Rd.....	17 / West / 253 / 20163781
Block	2024	24th St & McDowell Rd.....	Pima Rd & McDowell Rd..... 20:06
		Central Ave & McDowell Rd.....	Scottsdale Rd & McDowell Rd....
		19th Ave & McDowell Rd.....	20:13
		43rd Ave & McDowell Rd.....	52nd St & McDowell Rd.....
		67th Ave & McDowell Rd.....	20:20
		83rd Ave & McDowell Rd.....	44th St & McDowell Rd.....
		99th Ave & McDowell Rd.....	20:23
		Litchfield Rd & McDowell Rd....	24th St & McDowell Rd.....
		Pebble Creek Pkwy & McDow	Central Ave & McDowell Rd.....
			20:43
			19th Ave & McDowell Rd.....
			20:48
			43rd Ave & McDowell Rd.....
			21:00
			67th Ave & McDowell Rd.....
			21:09
			83rd Ave & McDowell Rd.....
			21:16
			99th Ave & McDowell Rd..... 21:23

			Pull In
			99th Ave & McDowell Rd..... 21:23
			West Transit Facility..... 21:33

Deadhead		17 / East / 132 / 20163742	
Pima Rd & McDowell Rd.....	14:30	Pebble Creek Pkwy & McDow	17:32
Pima Rd & McDowell Rd.....	14:37	Litchfield Rd & McDowell Rd....	17:39
		99th Ave & McDowell Rd.....	17:54
		83rd Ave & McDowell Rd.....	18:02
		67th Ave & McDowell Rd.....	18:09
		43rd Ave & McDowell Rd.....	18:22
		19th Ave & McDowell Rd.....	18:37
		Central Ave & McDowell Rd.....	18:47
		24th St & McDowell Rd.....	18:59
		44th St & McDowell Rd.....	19:11
		52nd St & McDowell Rd.....	19:14
		Scottsdale Rd & McDowell Rd....	19:22
		Pima Rd & McDowell Rd.....	19:30

Phoenix West

Effective: 01/22/2024

2091
Saturday

Duty Type	Block	Report Time	Start Place	Start Time	End Time	End Place	Clear Time	Paid Time	Seat Time
ST	CAR 2015	13:01	WEST 44IN	13:06 13:42	13:42 22:02	44IN WEST	22:02	9h01	7h16

Sign-on	13:01	41 / East / 172 / 20163675	41 / West / 724 / 20163718
		107th Ave & Indian School Rd.	15:41 Granite Reef Rd & Indian Sch
Travel by	CAR	83rd Ave & Indian School Rd.....	15:50 Scottsdale Rd & Indian School
		59th Ave & Indian School Rd.....	16:01 56th St & Indian School Rd.....
Car Pull		43rd Ave & Indian School Rd.....	16:10 44th St & Indian School Rd.....
West Transit Facility.....	13:06	19th Ave & Indian School Rd.....	16:24 32nd St & Indian School Rd.....
44th St & Indian School Rd.....	13:42	Central Ave & Indian School Rd.	16:33 24th St & Indian School Rd.....
		Central Ave & Indian School Rd.	16:37 Central Ave & Indian School Rd.
Block	2015	24th St & Indian School Rd.....	16:51 Central Ave & Indian School Rd.
		32nd St & Indian School Rd.....	16:55 19th Ave & Indian School Rd.....
41 / West / 724 / 20163700		44th St & Indian School Rd.....	17:02 43rd Ave & Indian School Rd.....
44th St & Indian School Rd.....	13:42	56th St & Indian School Rd.....	17:05 59th Ave & Indian School Rd.....
32nd St & Indian School Rd.....	13:48	Scottsdale Rd & Indian School	17:12 83rd Ave & Indian School Rd.....
24th St & Indian School Rd.....	13:53	Granite Reef Rd & Indian Sch	17:20 107th Ave & Indian School Rd.
Central Ave & Indian School Rd.	14:05		
Central Ave & Indian School Rd.	14:09	Deadhead	Deadhead
19th Ave & Indian School Rd.....	14:17	Granite Reef Rd & Indian Sch	17:20 107th Ave & Indian School Rd.
43rd Ave & Indian School Rd.....	14:33	Pima Rd & Chaparral Rd.....	17:24 107th Ave & Indian School Rd.
59th Ave & Indian School Rd.....	14:42		
83rd Ave & Indian School Rd.....	14:54	Deadhead	41 / East / 267 / 20164059
107th Ave & Indian School Rd.	15:06	Pima Rd & Chaparral Rd.....	17:54 107th Ave & Indian School Rd.
		Granite Reef Rd & Indian Sch	17:58 83rd Ave & Indian School Rd.....
Deadhead			20:29 59th Ave & Indian School Rd.....
107th Ave & Indian School Rd.	15:06		20:39 43rd Ave & Indian School Rd.....
107th Ave & Indian School Rd.	15:12		20:46 19th Ave & Indian School Rd.....
			20:58 Central Ave & Indian School Rd.
			21:03 Central Ave & Indian School Rd.
			21:07 24th St & Indian School Rd.....
			21:17 32nd St & Indian School Rd.....
			21:20 44th St & Indian School Rd.....
			21:24 56th St & Indian School Rd.....
			Pull In
			56th St & Indian School Rd.....
			21:27 West Transit Facility.....
			22:02

Phoenix West

Effective: 01/22/2024

2092
Saturday

Duty Type	Block	Report Time	Start Place	Start Time	End Time	End Place	Clear Time	Paid Time	Seat Time
ST	CAR 2056	13:04	WEST 51HD	13:09 13:20	13:20 21:33	51HD WEST	21:33	8h29	6h26

Sign-on	13:04	Deadhead				Deadhead			
		59th Ave & Buckeye Rd.....		16:16		59th Ave & Buckeye Rd.....		19:15	
Travel by	CAR	51st Ave & Hadley St.....		16:20		51st Ave & Hadley St.....		19:19	
Car Pull		Deadhead				Deadhead			
West Transit Facility.....	13:09	51st Ave & Hadley St.....		16:49		51st Ave & Hadley St.....		19:52	
51st Ave & Hadley St.....	13:20	59th Ave & Buckeye Rd.....		16:53		59th Ave & Buckeye Rd.....		19:56	
Block	2056	59 / North / 830 / 20163652				59 / North / 830 / 20163653			
		59th Ave & Buckeye Rd.....		16:53		59th Ave & Buckeye Rd.....		19:56	
Deadhead		59th Ave & Van Buren St.....		16:55		59th Ave & Van Buren St.....		19:58	
51st Ave & Hadley St.....	13:49	59th Ave & Thomas Rd.....		17:04		59th Ave & Thomas Rd.....		20:06	
59th Ave & Buckeye Rd.....	13:53	59th Ave & Camelback Rd.....		17:13		59th Ave & Camelback Rd.....		20:13	
		59th Ave & Glendale Ave.....		17:22		59th Ave & Glendale Ave.....		20:22	
59 / North / 830 / 20163627		59th Ave & Olive Ave.....		17:32		59th Ave & Olive Ave.....		20:30	
59th Ave & Buckeye Rd.....	13:53	59th Ave & Thunderbird Rd.....		17:44		59th Ave & Thunderbird Rd.....		20:41	
59th Ave & Van Buren St.....	13:55	59th Ave & Bell Rd.....		17:51		59th Ave & Bell Rd.....		20:48	
59th Ave & Thomas Rd.....	14:04	59th Ave & Beardsley Rd.....		17:58		59th Ave & Beardsley Rd.....		20:55	
59th Ave & Camelback Rd.....	14:13								
59th Ave & Glendale Ave.....	14:23	59 / South / 220 / 20163655				Pull In			
59th Ave & Olive Ave.....	14:33	59th Ave & Beardsley Rd.....		18:13		59th Ave & Beardsley Rd.....		20:55	
59th Ave & Thunderbird Rd.....	14:45	59th Ave & Bell Rd.....		18:19		West Transit Facility.....		21:33	
59th Ave & Bell Rd.....	14:52	59th Ave & Thunderbird Rd.....		18:26					
59th Ave & Beardsley Rd.....	15:01	59th Ave & Olive Ave.....		18:38					
		59th Ave & Glendale Ave.....		18:48					
59 / South / 220 / 20163640		59th Ave & Camelback Rd.....		18:57					
59th Ave & Beardsley Rd.....	15:13	59th Ave & Thomas Rd.....		19:04					
59th Ave & Bell Rd.....	15:19	59th Ave & Van Buren St.....		19:12					
59th Ave & Thunderbird Rd.....	15:26	59th Ave & Buckeye Rd.....		19:15					
59th Ave & Olive Ave.....	15:38								
59th Ave & Glendale Ave.....	15:48								
59th Ave & Camelback Rd.....	15:57								
59th Ave & Thomas Rd.....	16:04								
59th Ave & Van Buren St.....	16:13								
59th Ave & Buckeye Rd.....	16:16								

Phoenix West

Effective: 01/22/2024

2093
Saturday

Duty Type	Block	Report Time	Start Place	Start Time	End Time	End Place	Clear Time	Paid Time	Seat Time
ST	CAR 2030	13:06	WEST 44MC	13:11 13:41	13:41 23:33	44MC WEST	23:33	10h27	8h16

Sign-on	13:06	Deadhead	Deadhead
Travel by	CAR	99th Ave & McDowell Rd..... 16:05	99th Ave & McDowell Rd..... 20:04
Car Pull		99th Ave & McDowell Rd..... 16:12	99th Ave & McDowell Rd..... 20:11
West Transit Facility.....	13:11	17 / East / 132 / 20163734	17 / East / 255 / 20164033
44th St & McDowell Rd.....	13:41	99th Ave & McDowell Rd..... 16:24	99th Ave & McDowell Rd..... 20:39
Block	2030	83rd Ave & McDowell Rd..... 16:32	83rd Ave & McDowell Rd..... 20:45
		67th Ave & McDowell Rd..... 16:39	67th Ave & McDowell Rd..... 20:51
		43rd Ave & McDowell Rd..... 16:52	43rd Ave & McDowell Rd..... 21:00
		19th Ave & McDowell Rd..... 17:07	19th Ave & McDowell Rd..... 21:11
17 / East / 132 / 20163730		Central Ave & McDowell Rd..... 17:17	Central Ave & McDowell Rd..... 21:17
44th St & McDowell Rd..... 13:41		24th St & McDowell Rd..... 17:29	24th St & McDowell Rd..... 21:27
52nd St & McDowell Rd..... 13:44		44th St & McDowell Rd..... 17:41	44th St & McDowell Rd..... 21:36
Scottsdale Rd & McDowell Rd.... 13:52		52nd St & McDowell Rd..... 17:44	52nd St & McDowell Rd..... 21:39
Pima Rd & McDowell Rd..... 14:00		Scottsdale Rd & McDowell Rd.... 17:52	
		Pima Rd & McDowell Rd..... 18:00	
Deadhead		Deadhead	Deadhead
Pima Rd & McDowell Rd..... 14:00		Pima Rd & McDowell Rd..... 18:00	52nd St & McDowell Rd..... 21:39
Pima Rd & McDowell Rd..... 14:07		Pima Rd & McDowell Rd..... 18:07	52nd St & McDowell Rd..... 21:44
17 / West / 253 / 20163774			17 / West / 253 / 20164243
Pima Rd & McDowell Rd..... 14:32		17 / West / 253 / 20163778	52nd St & McDowell Rd..... 22:20
Scottsdale Rd & McDowell Rd.... 14:39		Pima Rd & McDowell Rd..... 18:32	44th St & McDowell Rd..... 22:23
52nd St & McDowell Rd..... 14:46		Scottsdale Rd & McDowell Rd.... 18:39	24th St & McDowell Rd..... 22:33
44th St & McDowell Rd..... 14:49		52nd St & McDowell Rd..... 18:46	Central Ave & McDowell Rd..... 22:43
24th St & McDowell Rd..... 15:01		44th St & McDowell Rd..... 18:49	19th Ave & McDowell Rd..... 22:48
Central Ave & McDowell Rd..... 15:13		24th St & McDowell Rd..... 19:01	43rd Ave & McDowell Rd..... 23:00
19th Ave & McDowell Rd..... 15:21		Central Ave & McDowell Rd..... 19:13	67th Ave & McDowell Rd..... 23:09
43rd Ave & McDowell Rd..... 15:36		19th Ave & McDowell Rd..... 19:21	83rd Ave & McDowell Rd..... 23:16
67th Ave & McDowell Rd..... 15:50		43rd Ave & McDowell Rd..... 19:36	99th Ave & McDowell Rd..... 23:23
83rd Ave & McDowell Rd..... 15:57		67th Ave & McDowell Rd..... 19:50	
99th Ave & McDowell Rd..... 16:05		83rd Ave & McDowell Rd..... 19:57	Pull In
		99th Ave & McDowell Rd..... 20:04	99th Ave & McDowell Rd..... 23:23
			West Transit Facility..... 23:33

Phoenix West

Effective: 01/22/2024

2094

Saturday

Duty Type	Block	Report Time	Start Place	Start Time	End Time	End Place	Clear Time	Paid Time	Seat Time
ST	CAR 2019	13:17	WEST 75LB	13:22 13:32	13:32 23:27	75LB WEST	23:27	10h10	6h30

Sign-on	13:17	Deadhead				Deadhead			
Travel by	CAR	75th Ave & Lower Buckeye Rd		16:40	67th Ave & Camelback Rd.....		20:10		
		Sierra Linda HS-North.....		16:45	59th Ave & Camelback Rd.....		20:13		
Car Pull		67 / North / 250 / 20164222			59 / South / 220 / 20164126				
West Transit Facility.....	13:22	Sierra Linda HS-North.....		16:45	59th Ave & Camelback Rd.....		20:27		
75th Ave & Lower Buckeye Rd	13:32	67th Ave & Van Buren St.....		16:54	59th Ave & Thomas Rd.....		20:34		
		67th Ave & Thomas Rd.....		17:03	59th Ave & Van Buren St.....		20:42		
Block	2019	67th Ave & Camelback Rd.....		17:10	59th Ave & Buckeye Rd.....		20:45		
Deadhead		Deadhead			Deadhead				
75th Ave & Lower Buckeye Rd	13:40	67th Ave & Camelback Rd.....		17:10	59th Ave & Buckeye Rd.....		20:45		
Sierra Linda HS-North.....	13:45	59th Ave & Camelback Rd.....		17:13	51st Ave & Hadley St.....		20:49		
67 / North / 250 / 20164219		59 / South / 220 / 20164122			Deadhead				
Sierra Linda HS-North.....	13:45	59th Ave & Camelback Rd.....		17:27	51st Ave & Hadley St.....		21:24		
67th Ave & Van Buren St.....	13:54	59th Ave & Thomas Rd.....		17:34	59th Ave & Buckeye Rd.....		21:28		
67th Ave & Thomas Rd.....	14:03	59th Ave & Van Buren St.....		17:43					
67th Ave & Camelback Rd.....	14:10	59th Ave & Buckeye Rd.....		17:46	59 / North / 266 / 20164111				
Deadhead		Deadhead			59th Ave & Buckeye Rd.....		21:28		
67th Ave & Camelback Rd.....	14:10	59th Ave & Buckeye Rd.....		17:46	59th Ave & Van Buren St.....		21:30		
59th Ave & Camelback Rd.....	14:13	51st Ave & Hadley St.....		17:50	59th Ave & Thomas Rd.....		21:36		
59 / South / 220 / 20164116		Deadhead			59th Ave & Camelback Rd.....		21:43		
59th Ave & Camelback Rd.....	14:27	51st Ave & Hadley St.....		18:19	59th Ave & Camelback Rd.....		21:47		
59th Ave & Thomas Rd.....	14:34	59th Ave & Buckeye Rd.....		18:23					
59th Ave & Van Buren St.....	14:43	59 / North / 266 / 20164105			59 / South / 220 / 20164270				
59th Ave & Buckeye Rd.....	14:46	59th Ave & Buckeye Rd.....		18:23	59th Ave & Camelback Rd.....		21:57		
Deadhead		59th Ave & Van Buren St.....		18:25	59th Ave & Thomas Rd.....		22:04		
59th Ave & Buckeye Rd.....	14:46	59th Ave & Thomas Rd.....		18:34	59th Ave & Van Buren St.....		22:12		
51st Ave & Hadley St.....	14:50	59th Ave & Camelback Rd.....		18:43	59th Ave & Buckeye Rd.....		22:15		
Deadhead		Deadhead			Deadhead				
51st Ave & Hadley St.....	15:19	59th Ave & Camelback Rd.....		18:43	59th Ave & Buckeye Rd.....		22:15		
59th Ave & Buckeye Rd.....	15:23	75th Ave & Camelback Rd.....		18:52	51st Ave & Hadley St.....		22:19		
59 / North / 266 / 20164109		75 / South / 149 / 20164200			Deadhead				
59th Ave & Buckeye Rd.....	15:23	75th Ave & Camelback Rd.....		19:00	51st Ave & Hadley St.....		22:24		
59th Ave & Van Buren St.....	15:25	Desert Sky TC.....		19:09	59th Ave & Buckeye Rd.....		22:28		
59th Ave & Thomas Rd.....	15:34	75th Ave & Van Buren St.....		19:22					
59th Ave & Camelback Rd.....	15:43	75th Ave & Lower Buckeye Rd		19:26	59 / North / 266 / 20164262				
Deadhead		Deadhead			59th Ave & Buckeye Rd.....		22:28		
59th Ave & Camelback Rd.....	15:43	75th Ave & Lower Buckeye Rd		19:43	59th Ave & Van Buren St.....		22:30		
75th Ave & Camelback Rd.....	15:52	Sierra Linda HS-North.....		19:48	59th Ave & Thomas Rd.....		22:36		
75 / South / 149 / 20164193		67 / North / 250 / 20164227			59th Ave & Camelback Rd.....		22:43		
75th Ave & Camelback Rd.....	16:00	Sierra Linda HS-North.....		19:48	59th Ave & Camelback Rd.....		22:47		
Desert Sky TC.....	16:09	67th Ave & Van Buren St.....		19:55					
75th Ave & Van Buren St.....	16:22	67th Ave & Thomas Rd.....		20:03					
75th Ave & Lower Buckeye Rd	16:26	67th Ave & Camelback Rd.....		20:10					

59 / South / 220 / 20164265

59th Ave & Camelback Rd.....	22:57
59th Ave & Thomas Rd.....	23:04
59th Ave & Van Buren St.....	23:12
59th Ave & Buckeye Rd.....	23:15

Pull In

59th Ave & Buckeye Rd.....	23:15
West Transit Facility.....	23:27

Phoenix West

Effective: 01/22/2024

2095

Saturday

Duty Type	Block	Report Time	Start Place	Start Time	End Time	End Place	Clear Time	Paid Time	Seat Time
ST	CAR 2053	13:17	WEST 67VB	13:22 13:32	13:32 22:26	67VB WEST	22:26	9h09	6h31

Sign-on	13:17	Deadhead				Deadhead			
		75th Ave & Camelback Rd.....		15:55		83rd Ave & Camelback Rd.....		19:20	
Travel by	CAR	83rd Ave & Camelback Rd.....		15:58		75th Ave & Camelback Rd.....		19:23	
Car Pull		83 / South / 155 / 20163827				75 / South / 149 / 20163795			
West Transit Facility.....	13:22	83rd Ave & Camelback Rd.....		16:03		75th Ave & Camelback Rd.....		19:30	
67th Ave & Van Buren St.....	13:32	Desert Sky TC.....		16:11		Desert Sky TC.....		19:39	
		83rd Ave & Van Buren St.....		16:21		75th Ave & Van Buren St.....		19:51	
Block	2053					75th Ave & Lower Buckeye Rd		19:55	
		Deadhead				Deadhead			
67 / South / 254 / 20163530		83rd Ave & Van Buren St.....		16:21		75th Ave & Lower Buckeye Rd		20:13	
67th Ave & Van Buren St.....	13:32	83rd Ave & Van Buren St.....		16:25		Sierra Linda HS-North.....		20:18	
Sierra Linda HS-South.....	13:41								
		83 / North / 183 / 20164177				67 / North / 250 / 20163524			
Deadhead		83rd Ave & Van Buren St.....		16:33		Sierra Linda HS-North.....		20:18	
Sierra Linda HS-South.....	13:41	Desert Sky TC.....		16:42		67th Ave & Van Buren St.....		20:25	
75th Ave & Lower Buckeye Rd	13:46	83rd Ave & Camelback Rd.....		16:51		67th Ave & Thomas Rd.....		20:33	
		83rd Ave & Glendale Ave.....		16:56		67th Ave & Camelback Rd.....		20:40	
75 / North / 147 / 20164158		83rd Ave & Peoria Ave.....		17:08					
75th Ave & Lower Buckeye Rd	13:55	83rd Ave & Thunderbird Rd.....		17:14					
75th Ave & Van Buren St.....	14:01	Arrowhead Mall North.....		17:25		Deadhead			
Desert Sky TC.....	14:13	Arrowhead Mall North.....		17:25		67th Ave & Camelback Rd.....		20:40	
75th Ave & Camelback Rd.....	14:23					75th Ave & Camelback Rd.....		20:43	
		Deadhead							
Deadhead		Arrowhead Mall North.....		17:25		75 / South / 149 / 20164165			
75th Ave & Camelback Rd.....	14:23	Arrowhead Mall Layover.....		17:27		75th Ave & Camelback Rd.....		21:00	
67th Ave & Camelback Rd.....	14:26					Desert Sky TC.....		21:08	
		Deadhead				75th Ave & Van Buren St.....		21:19	
67 / South / 254 / 20164136		Arrowhead Mall Layover.....		17:59		75th Ave & Lower Buckeye Rd		21:23	
67th Ave & Camelback Rd.....	14:45	Arrowhead Mall North.....		18:01					
67th Ave & Thomas Rd.....	14:53	83 / South / 155 / 20164178				Deadhead			
67th Ave & Van Buren St.....	15:03	Arrowhead Mall North.....		18:01		75th Ave & Lower Buckeye Rd		21:46	
Sierra Linda HS-South.....	15:12	83rd Ave & Thunderbird Rd.....		18:12		Sierra Linda HS-North.....		21:51	
		83rd Ave & Peoria Ave.....		18:18					
Deadhead		83rd Ave & Glendale Ave.....		18:30		67 / North / 250 / 20164151			
Sierra Linda HS-South.....	15:12	83rd Ave & Camelback Rd.....		18:35		Sierra Linda HS-North.....		21:51	
75th Ave & Lower Buckeye Rd	15:17	Desert Sky TC.....		18:41		67th Ave & Van Buren St.....		21:57	
		83rd Ave & Van Buren St.....		18:51		67th Ave & Thomas Rd.....		22:04	
						67th Ave & Camelback Rd.....		22:10	
75 / North / 147 / 20163807		Deadhead							
75th Ave & Lower Buckeye Rd	15:25	83rd Ave & Van Buren St.....		18:51		Pull In			
75th Ave & Van Buren St.....	15:30	83rd Ave & Van Buren St.....		18:55		67th Ave & Camelback Rd.....		22:10	
Desert Sky TC.....	15:44					West Transit Facility.....		22:26	
75th Ave & Camelback Rd.....	15:55								
		83 / North / 153 / 20163843							
		83rd Ave & Van Buren St.....		19:02					
		Desert Sky TC.....		19:12					
		83rd Ave & Camelback Rd.....		19:20					

Phoenix West

Effective: 01/22/2024

2096

Saturday

Duty Type	Block	Report Time	Start Place	Start Time	End Time	End Place	Clear Time	Paid Time	Seat Time
ST	CAR 2055	13:23	WEST DSTC	13:28 13:42	13:42 23:31	DSTC WEST	23:31	10h08	7h20

Sign-on	13:23	Deadhead	Deadhead
Travel by	CAR	83rd Ave & Camelback Rd..... 16:21	75th Ave & Camelback Rd..... 20:21
Car Pull		75th Ave & Camelback Rd..... 16:24	67th Ave & Camelback Rd..... 20:24
West Transit Facility.....	13:28	75 / South / 149 / 20163790	67 / South / 254 / 20164146
Desert Sky TC.....	13:42	75th Ave & Camelback Rd..... 16:30	67th Ave & Camelback Rd..... 20:45
Block	2055	Desert Sky TC..... 16:39	67th Ave & Thomas Rd..... 20:52
		75th Ave & Van Buren St..... 16:52	67th Ave & Van Buren St..... 21:00
		75th Ave & Lower Buckeye Rd 16:56	Sierra Linda HS-South..... 21:07
83 / North / 183 / 20164166		Deadhead	Deadhead
Desert Sky TC..... 13:42		75th Ave & Lower Buckeye Rd 17:12	Sierra Linda HS-South..... 21:07
83rd Ave & Camelback Rd..... 13:52		Sierra Linda HS-North..... 17:17	75th Ave & Lower Buckeye Rd 21:12
83rd Ave & Glendale Ave..... 13:57			
83rd Ave & Peoria Ave..... 14:09		67 / North / 108 / 20163521	75 / North / 147 / 20163813
83rd Ave & Thunderbird Rd..... 14:15		Sierra Linda HS-North..... 17:17	75th Ave & Lower Buckeye Rd 21:25
Arrowhead Mall North..... 14:26		67th Ave & Van Buren St..... 17:24	75th Ave & Van Buren St..... 21:29
		67th Ave & Thomas Rd..... 17:33	Desert Sky TC..... 21:38
Deadhead		67th Ave & Camelback Rd..... 17:40	75th Ave & Camelback Rd..... 21:46
Arrowhead Mall North..... 14:26		67th Ave & Glendale Ave..... 17:49	
Arrowhead Mall Layover..... 14:28		67th Ave & Olive Ave..... 17:55	Deadhead
		67th Ave & Thunderbird Rd..... 18:04	75th Ave & Camelback Rd..... 21:46
Deadhead		67th Ave & Union Hills Dr..... 18:14	67th Ave & Camelback Rd..... 21:49
Arrowhead Mall Layover..... 14:56			
Arrowhead Mall North..... 14:58		Deadhead	67 / South / 254 / 20164275
		67th Ave & Union Hills Dr..... 18:14	67th Ave & Camelback Rd..... 22:15
83 / South / 155 / 20164204		67th Ave & Union Hills Dr..... 18:19	67th Ave & Thomas Rd..... 22:22
Arrowhead Mall North..... 14:58			67th Ave & Van Buren St..... 22:30
83rd Ave & Thunderbird Rd..... 15:09		67 / South / 254 / 20163660	Sierra Linda HS-South..... 22:37
83rd Ave & Peoria Ave..... 15:15		67th Ave & Union Hills Dr..... 18:39	
83rd Ave & Glendale Ave..... 15:28		67th Ave & Thunderbird Rd..... 18:50	Deadhead
83rd Ave & Camelback Rd..... 15:33		67th Ave & Olive Ave..... 18:59	Sierra Linda HS-South..... 22:37
Desert Sky TC..... 15:41		67th Ave & Glendale Ave..... 19:06	75th Ave & Lower Buckeye Rd 22:42
83rd Ave & Van Buren St..... 15:51		67th Ave & Camelback Rd..... 19:15	
		67th Ave & Thomas Rd..... 19:22	75 / North / 147 / 20164281
Deadhead		67th Ave & Van Buren St..... 19:30	75th Ave & Lower Buckeye Rd 22:55
83rd Ave & Van Buren St..... 15:51		Sierra Linda HS-South..... 19:38	75th Ave & Van Buren St..... 22:59
83rd Ave & Van Buren St..... 15:55			Desert Sky TC..... 23:08
		Deadhead	75th Ave & Camelback Rd..... 23:16
83 / North / 153 / 20163840		Sierra Linda HS-South..... 19:38	
83rd Ave & Van Buren St..... 16:03		75th Ave & Lower Buckeye Rd 19:43	Pull In
Desert Sky TC..... 16:12			75th Ave & Camelback Rd..... 23:16
83rd Ave & Camelback Rd..... 16:21		75 / North / 147 / 20164167	West Transit Facility..... 23:31
		75th Ave & Lower Buckeye Rd 19:55	
		75th Ave & Van Buren St..... 20:00	
		Desert Sky TC..... 20:11	
		75th Ave & Camelback Rd..... 20:21	

Phoenix West

Effective: 01/22/2024

2097

Saturday

Duty Type	Block	Report Time	Start Place	Start Time	End Time	End Place	Clear Time	Paid Time	Seat Time
ST	CAR 2026	13:24	WEST DSTC	13:29 13:43	13:43 23:24	DSTC WEST	23:24	10h00	7h13

Sign-on	13:24	83 / South / 155 / 20164183				67 / South / 254 / 20163661			
		Arrowhead Mall North.....	15:59			67th Ave & Union Hills Dr.....	19:43		
Travel by	CAR	83rd Ave & Thunderbird Rd.....	16:10			67th Ave & Thunderbird Rd.....	19:53		
		83rd Ave & Peoria Ave.....	16:16			67th Ave & Olive Ave.....	20:01		
Car Pull		83rd Ave & Glendale Ave.....	16:29			67th Ave & Glendale Ave.....	20:07		
West Transit Facility.....	13:29	83rd Ave & Camelback Rd.....	16:34			67th Ave & Camelback Rd.....	20:15		
Desert Sky TC.....	13:43	Desert Sky TC.....	16:41			67th Ave & Thomas Rd.....	20:22		
		83rd Ave & Van Buren St.....	16:51			67th Ave & Van Buren St.....	20:30		
Block	2026					Sierra Linda HS-South.....	20:37		
		Deadhead							
75 / North / 147 / 20163805		83rd Ave & Van Buren St.....	16:51			Deadhead			
Desert Sky TC.....	13:43	83rd Ave & Van Buren St.....	16:55			Sierra Linda HS-South.....	20:37		
75th Ave & Camelback Rd.....	13:53					75th Ave & Lower Buckeye Rd	20:42		
		83 / North / 153 / 20163841							
Deadhead		83rd Ave & Van Buren St.....	17:03			75 / North / 147 / 20164197			
75th Ave & Camelback Rd.....	13:53	Desert Sky TC.....	17:12			75th Ave & Lower Buckeye Rd	20:55		
83rd Ave & Camelback Rd.....	13:56	83rd Ave & Camelback Rd.....	17:21			75th Ave & Van Buren St.....	21:00		
						Desert Sky TC.....	21:11		
83 / South / 155 / 20163825		Deadhead				75th Ave & Camelback Rd.....	21:19		
83rd Ave & Camelback Rd.....	14:02	83rd Ave & Camelback Rd.....	17:21			Deadhead			
Desert Sky TC.....	14:11	75th Ave & Camelback Rd.....	17:24			75th Ave & Camelback Rd.....	21:19		
83rd Ave & Van Buren St.....	14:21					67th Ave & Camelback Rd.....	21:22		
		75 / South / 149 / 20163791							
Deadhead		75th Ave & Camelback Rd.....	17:30			67 / South / 254 / 20164133			
83rd Ave & Van Buren St.....	14:21	Desert Sky TC.....	17:39			67th Ave & Camelback Rd.....	21:45		
83rd Ave & Van Buren St.....	14:25	75th Ave & Van Buren St.....	17:52			67th Ave & Thomas Rd.....	21:52		
		75th Ave & Lower Buckeye Rd	17:56			67th Ave & Van Buren St.....	22:00		
83 / North / 183 / 20164181						Sierra Linda HS-South.....	22:07		
83rd Ave & Van Buren St.....	14:33	Deadhead				Deadhead			
Desert Sky TC.....	14:42	75th Ave & Lower Buckeye Rd	18:12			Sierra Linda HS-South.....	22:07		
83rd Ave & Camelback Rd.....	14:52	Sierra Linda HS-North.....	18:17			75th Ave & Lower Buckeye Rd	22:12		
83rd Ave & Glendale Ave.....	14:57								
83rd Ave & Peoria Ave.....	15:09	67 / North / 108 / 20163522				Deadhead			
83rd Ave & Thunderbird Rd.....	15:15	Sierra Linda HS-North.....	18:17			Sierra Linda HS-South.....	22:07		
Arrowhead Mall North.....	15:26	67th Ave & Van Buren St.....	18:24			75th Ave & Lower Buckeye Rd	22:12		
		67th Ave & Thomas Rd.....	18:33			75 / North / 147 / 20164283			
Deadhead		67th Ave & Camelback Rd.....	18:40			75th Ave & Lower Buckeye Rd	22:25		
Arrowhead Mall North.....	15:26	67th Ave & Glendale Ave.....	18:49			75th Ave & Van Buren St.....	22:29		
Arrowhead Mall Layover.....	15:28	67th Ave & Olive Ave.....	18:55			Desert Sky TC.....	22:38		
		67th Ave & Thunderbird Rd.....	19:04			75th Ave & Camelback Rd.....	22:46		
Deadhead		67th Ave & Union Hills Dr.....	19:14						
Arrowhead Mall Layover.....	15:57					Deadhead			
Arrowhead Mall North.....	15:59	Deadhead				75th Ave & Camelback Rd.....	22:46		
		67th Ave & Union Hills Dr.....	19:14			83rd Ave & Camelback Rd.....	22:49		
		67th Ave & Union Hills Dr.....	19:19						
						83 / South / 155 / 20164288			
						83rd Ave & Camelback Rd.....	23:05		
						Desert Sky TC.....	23:11		
						83rd Ave & Van Buren St.....	23:19		
						Pull In			
						83rd Ave & Van Buren St.....	23:19		
						West Transit Facility.....	23:24		

Phoenix West

Effective: 01/22/2024

2098
Saturday

Duty Type	Block	Report Time	Start Place	Start Time	End Time	End Place	Clear Time	Paid Time	Seat Time
ST	CAR 2048	13:28	WEST 51VB	13:33 13:45	13:45 23:53	51VB WEST	23:53	10h25	7h51

Sign-on	13:28	51 / South / 27 / 20164088	51 / North / 206 / 20164075
Travel by	CAR	ASU West Campus..... 16:33	51st Ave & Pecos Rd..... 20:53
Car Pull		51st Ave & Olive Ave..... 16:45	Vee Quiva Casino..... 21:03
West Transit Facility..... 13:33		51st Ave & Glendale Ave..... 16:52	51st Ave & Baseline Rd..... 21:15
51st Ave & Van Buren St..... 13:45		51st Ave & Camelback Rd..... 16:58	51st Ave & Lower Buckeye Rd... 21:22
		51st Ave & Thomas Rd..... 17:07	51st Ave & Van Buren St..... 21:27
		51st Ave & Van Buren St..... 17:15	51st Ave & Thomas Rd..... 21:35
		51st Ave & Lower Buckeye Rd... 17:21	51st Ave & Camelback Rd..... 21:41
Block	2048	51st Ave & Baseline Rd..... 17:29	51st Ave & Glendale Ave..... 21:46
			51st Ave & Olive Ave..... 21:52
51 / South / 28 / 20163620		Deadhead	ASU West Campus..... 22:02
51st Ave & Van Buren St..... 13:45		51st Ave & Baseline Rd..... 17:29	
51st Ave & Lower Buckeye Rd... 13:50		51st Ave & Baseline Rd..... 17:34	
51st Ave & Baseline Rd..... 13:58			51 / South / 27 / 20164267
Vee Quiva Casino..... 14:10		51 / North / 206 / 20164082	ASU West Campus..... 22:38
Komatke Health Center..... 14:22		51st Ave & Baseline Rd..... 17:43	51st Ave & Olive Ave..... 22:49
51st Ave & Pecos Rd..... 14:26		51st Ave & Lower Buckeye Rd... 17:50	51st Ave & Glendale Ave..... 22:54
		51st Ave & Van Buren St..... 17:57	51st Ave & Camelback Rd..... 22:59
51 / North / 206 / 20163607		51st Ave & Thomas Rd..... 18:05	51st Ave & Thomas Rd..... 23:07
51st Ave & Pecos Rd..... 14:50		51st Ave & Camelback Rd..... 18:13	51st Ave & Van Buren St..... 23:14
Vee Quiva Casino..... 15:00		51st Ave & Glendale Ave..... 18:18	51st Ave & Lower Buckeye Rd... 23:19
51st Ave & Baseline Rd..... 15:12		51st Ave & Olive Ave..... 18:25	51st Ave & Baseline Rd..... 23:27
51st Ave & Lower Buckeye Rd... 15:19		ASU West Campus..... 18:36	
51st Ave & Van Buren St..... 15:26			Pull In
51st Ave & Thomas Rd..... 15:35		51 / South / 28 / 20164090	51st Ave & Baseline Rd..... 23:27
51st Ave & Camelback Rd..... 15:43		ASU West Campus..... 19:05	West Transit Facility..... 23:53
51st Ave & Glendale Ave..... 15:50		51st Ave & Olive Ave..... 19:17	
51st Ave & Olive Ave..... 15:57		51st Ave & Glendale Ave..... 19:23	
ASU West Campus..... 16:08		51st Ave & Camelback Rd..... 19:29	
		51st Ave & Thomas Rd..... 19:37	
		51st Ave & Van Buren St..... 19:45	
		51st Ave & Lower Buckeye Rd... 19:51	
		51st Ave & Baseline Rd..... 19:59	
		Vee Quiva Casino..... 20:11	
		Komatke Health Center..... 20:23	
		51st Ave & Pecos Rd..... 20:27	

Phoenix West

Effective: 01/22/2024

2099
Saturday

Duty Type	Block	Report Time	Start Place	Start Time	End Time	End Place	Clear Time	Paid Time	Seat Time
ST	CAR 2017	13:28	WEST 83VB	13:33 13:41	13:41 23:37	83VB WEST	23:37	10h09	8h19

Sign-on	13:28	3 / West / 546 / 20163958	3 / West / 104 / 20163965
		Phoenix Zoo.....	Galvin Pkwy & Van Buren St... 20:34
Travel by	CAR	Galvin Pkwy & Van Buren St.....	44th St & Van Buren St..... 20:40
		44th St & Van Buren St.....	24th St & Van Buren St..... 20:48
Car Pull		24th St & Van Buren St.....	2nd Ave & Van Buren St..... 21:00
West Transit Facility.....	13:33	2nd Ave & Van Buren St.....	19th Ave & Van Buren St..... 21:08
83rd Ave & Van Buren St.....	13:41	19th Ave & Van Buren St.....	35th Ave & Van Buren St..... 21:17
		35th Ave & Van Buren St.....	51st Ave & Van Buren St..... 21:26
Block	2017	51st Ave & Van Buren St.....	67th Ave & Van Buren St..... 21:33
		67th Ave & Van Buren St.....	83rd Ave & Van Buren St..... 21:41
		83rd Ave & Van Buren St.....	
		99th Ave & Van Buren St.....	Deadhead
		Avondale Civic Center.....	83rd Ave & Van Buren St..... 21:41
		4th St & La Canada Blvd.....	83rd Ave & Van Buren St..... 21:45
		3 / East / 181 / 20163933	3 / East / 181 / 20163970
		4th St & La Canada Blvd.....	83rd Ave & Van Buren St..... 21:55
		Avondale Civic Center.....	67th Ave & Van Buren St..... 22:00
		99th Ave & Van Buren St.....	51st Ave & Van Buren St..... 22:09
		83rd Ave & Van Buren St.....	35th Ave & Van Buren St..... 22:18
		67th Ave & Van Buren St.....	19th Ave & Van Buren St..... 22:26
		51st Ave & Van Buren St.....	Central Ave & Van Buren St..... 22:35
		35th Ave & Van Buren St.....	24th St & Van Buren St..... 22:46
		19th Ave & Van Buren St.....	44th St & Van Buren St..... 22:55
		Central Ave & Van Buren St.....	Galvin Pkwy & Van Buren St... 23:02
		24th St & Van Buren St.....	
		44th St & Van Buren St.....	Pull In
		Galvin Pkwy & Van Buren St... 20:02	Galvin Pkwy & Van Buren St... 23:02
			West Transit Facility..... 23:37
		Deadhead	
		Galvin Pkwy & Van Buren St... 20:02	
		Galvin Pkwy & Van Buren St... 20:08	

Phoenix West

Effective: 01/22/2024

2100 Saturday

Duty Type	Block	Report Time	Start Place	Start Time	End Time	End Place	Clear Time	Paid Time	Seat Time
ST	CAR 2037	13:32	WEST 107I-E	13:37 13:55	13:55 24:02	107I-E WEST	24:02	10h30	8h30

Sign-on	13:32	Deadhead	
Travel by	CAR	107th Ave & Indian School Rd.	18:06
Car Pull		41 / West / 724 / 20164019	
West Transit Facility.....	13:37	107th Ave & Indian School Rd.	18:42
107th Ave & Indian School Rd.	13:55	83rd Ave & Indian School Rd.....	18:50
Block	2037	59th Ave & Indian School Rd.....	19:01
		43rd Ave & Indian School Rd.....	19:10
		19th Ave & Indian School Rd.....	19:24
		Central Ave & Indian School Rd.	19:33
		Central Ave & Indian School Rd.	19:37
		24th St & Indian School Rd.....	19:51
		32nd St & Indian School Rd.....	19:54
		44th St & Indian School Rd.....	20:01
		56th St & Indian School Rd.....	20:04
		Scottsdale Rd & Indian School	20:11
		Granite Reef Rd & Indian Sch	20:19
		Deadhead	
		Granite Reef Rd & Indian Sch	20:19
		56th St & Indian School Rd.....	20:29
		41 / East / 172 / 20163676	
		107th Ave & Indian School Rd.	14:10
		83rd Ave & Indian School Rd.....	14:18
		59th Ave & Indian School Rd.....	14:29
		43rd Ave & Indian School Rd.....	14:38
		19th Ave & Indian School Rd.....	14:54
		Central Ave & Indian School Rd.	15:03
		Central Ave & Indian School Rd.	15:07
		24th St & Indian School Rd.....	15:21
		32nd St & Indian School Rd.....	15:25
		44th St & Indian School Rd.....	15:32
		56th St & Indian School Rd.....	15:35
		Scottsdale Rd & Indian School	15:42
		Granite Reef Rd & Indian Sch	15:50
		Deadhead	
		Granite Reef Rd & Indian Sch	15:50
		Pima Rd & Chaparral Rd.....	15:54
		Deadhead	
		Pima Rd & Chaparral Rd.....	16:22
		Granite Reef Rd & Indian Sch	16:26
		41 / East / 172 / 20163683	
		107th Ave & Indian School Rd.	14:10
		83rd Ave & Indian School Rd.....	14:18
		59th Ave & Indian School Rd.....	14:29
		43rd Ave & Indian School Rd.....	14:38
		19th Ave & Indian School Rd.....	14:54
		Central Ave & Indian School Rd.	15:03
		Central Ave & Indian School Rd.	15:07
		24th St & Indian School Rd.....	15:21
		32nd St & Indian School Rd.....	15:25
		44th St & Indian School Rd.....	15:32
		56th St & Indian School Rd.....	15:35
		Scottsdale Rd & Indian School	15:42
		Granite Reef Rd & Indian Sch	15:50
		Deadhead	
		Granite Reef Rd & Indian Sch	15:50
		Pima Rd & Chaparral Rd.....	15:54
		Deadhead	
		Pima Rd & Chaparral Rd.....	16:22
		Granite Reef Rd & Indian Sch	16:26
		41 / West / 724 / 20163703	
		Granite Reef Rd & Indian Sch	16:26
		Scottsdale Rd & Indian School	16:31
		56th St & Indian School Rd.....	16:38
		44th St & Indian School Rd.....	16:42
		32nd St & Indian School Rd.....	16:48
		24th St & Indian School Rd.....	16:53
		Central Ave & Indian School Rd.	17:05
		Central Ave & Indian School Rd.	17:09
		19th Ave & Indian School Rd.....	17:17
		43rd Ave & Indian School Rd.....	17:33
		59th Ave & Indian School Rd.....	17:42
		83rd Ave & Indian School Rd.....	17:54
		107th Ave & Indian School Rd.	18:06
		41 / West / 724 / 20164019	
		56th St & Indian School Rd.....	20:42
		44th St & Indian School Rd.....	20:46
		32nd St & Indian School Rd.....	20:51
		24th St & Indian School Rd.....	20:56
		Central Ave & Indian School Rd.	21:05
		Central Ave & Indian School Rd.	21:09
		19th Ave & Indian School Rd.....	21:14
		43rd Ave & Indian School Rd.....	21:25
		59th Ave & Indian School Rd.....	21:32
		83rd Ave & Indian School Rd.....	21:41
		107th Ave & Indian School Rd.	21:51
		Deadhead	
		107th Ave & Indian School Rd.	21:51
		107th Ave & Indian School Rd.	21:57
		41 / East / 267 / 20164255	
		107th Ave & Indian School Rd.	22:26
		83rd Ave & Indian School Rd.....	22:34
		59th Ave & Indian School Rd.....	22:42
		43rd Ave & Indian School Rd.....	22:49
		19th Ave & Indian School Rd.....	22:59
		Central Ave & Indian School Rd.	23:03
		Central Ave & Indian School Rd.	23:07
		24th St & Indian School Rd.....	23:17
		32nd St & Indian School Rd.....	23:20
		44th St & Indian School Rd.....	23:24
		56th St & Indian School Rd.....	23:27
		Pull In	
		56th St & Indian School Rd.....	23:27
		West Transit Facility.....	24:02

Phoenix West

Effective: 01/22/2024

2101
Saturday

Duty Type	Block	Report Time	Start Place	Start Time	End Time	End Place	Clear Time	Paid Time	Seat Time
ST	CAR 2062	13:40	WEST 75LB	13:45 13:55	13:55 23:56	75LB WEST	23:56	10h16	7h24

Sign-on	13:40	Deadhead				Deadhead			
		75th Ave & Camelback Rd.....		17:25		Arrowhead Mall Layover.....		21:02	
Travel by	CAR	67th Ave & Camelback Rd.....		17:28		Arrowhead Mall North.....		21:04	
Car Pull		67 / South / 254 / 20164149				83 / South / 155 / 20164174			
West Transit Facility.....	13:45	67th Ave & Camelback Rd.....		17:45		Arrowhead Mall North.....		21:04	
75th Ave & Lower Buckeye Rd	13:55	67th Ave & Thomas Rd.....		17:53		83rd Ave & Thunderbird Rd.....		21:13	
		67th Ave & Van Buren St.....		18:01		83rd Ave & Peoria Ave.....		21:19	
Block	2062	Sierra Linda HS-South.....		18:10		83rd Ave & Glendale Ave.....		21:30	
						83rd Ave & Camelback Rd.....		21:35	
Deadhead		Deadhead				Desert Sky TC.....		21:41	
75th Ave & Lower Buckeye Rd	14:10	Sierra Linda HS-South.....		18:10		83rd Ave & Van Buren St.....		21:49	
Sierra Linda HS-North.....	14:15	75th Ave & Lower Buckeye Rd		18:15					
						Deadhead			
67 / North / 108 / 20163518		75 / North / 147 / 20163810				83rd Ave & Van Buren St.....		21:49	
Sierra Linda HS-North.....	14:15	75th Ave & Lower Buckeye Rd		18:25		83rd Ave & Van Buren St.....		21:53	
67th Ave & Van Buren St.....	14:24	75th Ave & Van Buren St.....		18:30					
67th Ave & Thomas Rd.....	14:33	Desert Sky TC.....		18:44		83 / North / 153 / 20164292			
67th Ave & Camelback Rd.....	14:40	75th Ave & Camelback Rd.....		18:54		83rd Ave & Van Buren St.....		22:05	
67th Ave & Glendale Ave.....	14:50					Desert Sky TC.....		22:12	
67th Ave & Olive Ave.....	14:56	Deadhead				83rd Ave & Camelback Rd.....		22:20	
67th Ave & Thunderbird Rd.....	15:06	75th Ave & Camelback Rd.....		18:54					
67th Ave & Union Hills Dr.....	15:16	83rd Ave & Camelback Rd.....		18:57		Deadhead			
						83rd Ave & Camelback Rd.....		22:20	
Deadhead		83 / South / 155 / 20163821				75th Ave & Camelback Rd.....		22:23	
67th Ave & Union Hills Dr.....	15:16	83rd Ave & Camelback Rd.....		19:05					
67th Ave & Union Hills Dr.....	15:21	Desert Sky TC.....		19:11		75 / South / 149 / 20164282			
		83rd Ave & Van Buren St.....		19:21		75th Ave & Camelback Rd.....		22:30	
67 / South / 254 / 20163533						Desert Sky TC.....		22:38	
67th Ave & Union Hills Dr.....	15:39	Deadhead				75th Ave & Van Buren St.....		22:47	
67th Ave & Thunderbird Rd.....	15:50	83rd Ave & Van Buren St.....		19:21		75th Ave & Lower Buckeye Rd		22:51	
67th Ave & Olive Ave.....	15:59	83rd Ave & Van Buren St.....		19:25					
67th Ave & Glendale Ave.....	16:06					Deadhead			
67th Ave & Camelback Rd.....	16:15	83 / North / 183 / 20164176				75th Ave & Lower Buckeye Rd		23:16	
67th Ave & Thomas Rd.....	16:23	83rd Ave & Van Buren St.....		19:32		Sierra Linda HS-North.....		23:21	
67th Ave & Van Buren St.....	16:31	Desert Sky TC.....		19:42					
Sierra Linda HS-South.....	16:40	83rd Ave & Camelback Rd.....		19:50		67 / North / 250 / 20164278			
		83rd Ave & Glendale Ave.....		19:55		Sierra Linda HS-North.....		23:21	
Deadhead		83rd Ave & Peoria Ave.....		20:06		67th Ave & Van Buren St.....		23:27	
Sierra Linda HS-South.....	16:40	83rd Ave & Thunderbird Rd.....		20:12		67th Ave & Thomas Rd.....		23:34	
75th Ave & Lower Buckeye Rd	16:45	Arrowhead Mall North.....		20:22		67th Ave & Camelback Rd.....		23:40	
75 / North / 147 / 20164212		Deadhead				Pull In			
75th Ave & Lower Buckeye Rd	16:55	Arrowhead Mall North.....		20:22		67th Ave & Camelback Rd.....		23:40	
75th Ave & Van Buren St.....	17:00	Arrowhead Mall Layover.....		20:24		West Transit Facility.....		23:56	
Desert Sky TC.....	17:14								
75th Ave & Camelback Rd.....	17:25								

Phoenix West

Effective: 01/22/2024

2102

Saturday

Duty Type	Block	Report Time	Start Place	Start Time	End Time	End Place	Clear Time	Paid Time	Seat Time
ST	CAR 2045	13:43	WEST 51HD	13:48 13:59	13:59 23:36	51HD WEST	23:36	9h53	6h11

Sign-on	13:43	Deadhead				Deadhead			
		51st Ave & Hadley St.....		17:19		59th Ave & Camelback Rd.....		20:43	
Travel by	CAR	59th Ave & Buckeye Rd.....		17:23		59th Ave & Camelback Rd.....		20:47	
Car Pull		59 / North / 266 / 20164104				59 / South / 220 / 20164127			
West Transit Facility.....	13:48	59th Ave & Buckeye Rd.....		17:23		59th Ave & Camelback Rd.....		21:27	
51st Ave & Hadley St.....	13:59	59th Ave & Van Buren St.....		17:25		59th Ave & Thomas Rd.....		21:34	
		59th Ave & Thomas Rd.....		17:34		59th Ave & Van Buren St.....		21:42	
Block	2045	59th Ave & Camelback Rd.....		17:43		59th Ave & Buckeye Rd.....		21:45	
Deadhead		Deadhead				Deadhead			
51st Ave & Hadley St.....	14:19	59th Ave & Camelback Rd.....		17:43		59th Ave & Buckeye Rd.....		21:45	
59th Ave & Buckeye Rd.....	14:23	75th Ave & Camelback Rd.....		17:52		51st Ave & Hadley St.....		21:49	
59 / North / 266 / 20164103		75 / South / 149 / 20164187				Deadhead			
59th Ave & Buckeye Rd.....	14:23	75th Ave & Camelback Rd.....		18:00		51st Ave & Hadley St.....		21:54	
59th Ave & Van Buren St.....	14:25	Desert Sky TC.....		18:09		59th Ave & Buckeye Rd.....		21:58	
59th Ave & Thomas Rd.....	14:34	75th Ave & Van Buren St.....		18:22					
59th Ave & Camelback Rd.....	14:43	75th Ave & Lower Buckeye Rd		18:26		59 / North / 266 / 20164108			
Deadhead		Deadhead				59th Ave & Buckeye Rd.....		21:58	
59th Ave & Camelback Rd.....	14:43	75th Ave & Lower Buckeye Rd		18:43		59th Ave & Van Buren St.....		22:00	
75th Ave & Camelback Rd.....	14:52	Sierra Linda HS-North.....		18:48		59th Ave & Thomas Rd.....		22:06	
75 / South / 149 / 20164201		67 / North / 250 / 20164226				59th Ave & Camelback Rd.....		22:13	
75th Ave & Camelback Rd.....	15:00	Sierra Linda HS-North.....		18:48		59th Ave & Camelback Rd.....		22:17	
Desert Sky TC.....	15:09	67th Ave & Van Buren St.....		18:55					
75th Ave & Van Buren St.....	15:22	67th Ave & Thomas Rd.....		19:03					
75th Ave & Lower Buckeye Rd	15:26	67th Ave & Camelback Rd.....		19:10		59 / South / 220 / 20164269			
Deadhead		Deadhead				59th Ave & Camelback Rd.....		22:27	
75th Ave & Lower Buckeye Rd	15:40	67th Ave & Camelback Rd.....		19:10		59th Ave & Thomas Rd.....		22:34	
Sierra Linda HS-North.....	15:45	59th Ave & Camelback Rd.....		19:13		59th Ave & Van Buren St.....		22:42	
67 / North / 250 / 20164221		59 / South / 220 / 20164124				59th Ave & Buckeye Rd.....		22:45	
Sierra Linda HS-North.....	15:45	59th Ave & Camelback Rd.....		19:27		51st Ave & Hadley St.....		22:49	
67th Ave & Van Buren St.....	15:54	59th Ave & Thomas Rd.....		19:34					
67th Ave & Thomas Rd.....	16:03	59th Ave & Van Buren St.....		19:42					
67th Ave & Camelback Rd.....	16:10	59th Ave & Buckeye Rd.....		19:45		Deadhead			
Deadhead		Deadhead				51st Ave & Hadley St.....		22:54	
67th Ave & Camelback Rd.....	16:10	59th Ave & Buckeye Rd.....		19:45		59th Ave & Buckeye Rd.....		22:58	
59th Ave & Camelback Rd.....	16:13	51st Ave & Hadley St.....		19:49					
59 / South / 220 / 20164121		Deadhead				59 / North / 266 / 20164271			
59th Ave & Camelback Rd.....	16:27	51st Ave & Hadley St.....		20:22		59th Ave & Buckeye Rd.....		22:58	
59th Ave & Thomas Rd.....	16:34	59th Ave & Buckeye Rd.....		20:26		59th Ave & Van Buren St.....		23:00	
59th Ave & Van Buren St.....	16:43					59th Ave & Thomas Rd.....		23:06	
59th Ave & Buckeye Rd.....	16:46	59 / North / 266 / 20164107				59th Ave & Camelback Rd.....		23:13	
Deadhead		59th Ave & Buckeye Rd.....		20:26		Pull In			
59th Ave & Buckeye Rd.....	16:46	59th Ave & Van Buren St.....		20:28		59th Ave & Camelback Rd.....		23:13	
51st Ave & Hadley St.....	16:50	59th Ave & Thomas Rd.....		20:36		West Transit Facility.....		23:36	
		59th Ave & Camelback Rd.....		20:43					

Phoenix West

Effective: 01/22/2024

2103
Saturday

Duty Type	Block	Report Time	Start Place	Start Time	End Time	End Place	Clear Time	Paid Time	Seat Time
ST	CAR 2031	13:44	WEST 75BU	13:49 13:59	13:59 23:59	75BU WEST	23:59	10h15	6h54

Sign-on	13:44	13 / West / 120 / 20163561				13 / West / 120 / 20163977			
		Sky Harbor West.....	17:15	Sky Harbor West.....	21:15				
Travel by	CAR	16th St & Buckeye Rd.....	17:22	16th St & Buckeye Rd.....	21:22				
		Central Ave & Buckeye Rd.....	17:27	Central Ave & Buckeye Rd.....	21:27				
Car Pull		19th Ave & Buckeye Rd.....	17:33	19th Ave & Buckeye Rd.....	21:33				
West Transit Facility.....	13:49	43rd Ave & Buckeye Rd.....	17:43	43rd Ave & Buckeye Rd.....	21:43				
75th Ave & Buckeye Rd.....	13:59	59th Ave & Buckeye Rd.....	17:49	59th Ave & Buckeye Rd.....	21:49				
		75th Ave & Buckeye Rd.....	17:55	75th Ave & Buckeye Rd.....	21:55				
Block	2031	Deadhead			Deadhead				
		13 / East / 36 / 20164031		13 / East / 36 / 20164027		13 / East / 36 / 20164241			
		75th Ave & Buckeye Rd.....	14:30	75th Ave & Buckeye Rd.....	17:55	75th Ave & Buckeye Rd.....	21:55		
		59th Ave & Buckeye Rd.....	14:34	59th Ave & Buckeye Rd.....	17:59	59th Ave & Buckeye Rd.....	21:59		
		43rd Ave & Buckeye Rd.....	14:39						
		19th Ave & Buckeye Rd.....	14:49	75th Ave & Buckeye Rd.....	18:30	75th Ave & Buckeye Rd.....	22:31		
		Central Ave & Buckeye Rd.....	14:55	59th Ave & Buckeye Rd.....	18:34	59th Ave & Buckeye Rd.....	22:35		
		16th St & Buckeye Rd.....	15:00	43rd Ave & Buckeye Rd.....	18:39	43rd Ave & Buckeye Rd.....	22:40		
		Sky Harbor West.....	15:07	19th Ave & Buckeye Rd.....	18:49	19th Ave & Buckeye Rd.....	22:50		
				Central Ave & Buckeye Rd.....	18:55	Central Ave & Buckeye Rd.....	22:55		
		13 / West / 120 / 20163558		16th St & Buckeye Rd.....	19:00	16th St & Buckeye Rd.....	23:00		
		Sky Harbor West.....	15:15	Sky Harbor West.....	19:07	Sky Harbor West.....	23:07		
		16th St & Buckeye Rd.....	15:22						
		Central Ave & Buckeye Rd.....	15:27	13 / West / 120 / 20163567		13 / West / 120 / 20164237			
		19th Ave & Buckeye Rd.....	15:33	Sky Harbor West.....	19:15	Sky Harbor West.....	23:15		
		43rd Ave & Buckeye Rd.....	15:43	16th St & Buckeye Rd.....	19:22	16th St & Buckeye Rd.....	23:21		
		59th Ave & Buckeye Rd.....	15:49	Central Ave & Buckeye Rd.....	19:27	Central Ave & Buckeye Rd.....	23:25		
		75th Ave & Buckeye Rd.....	15:55	19th Ave & Buckeye Rd.....	19:33	19th Ave & Buckeye Rd.....	23:30		
				43rd Ave & Buckeye Rd.....	19:43	43rd Ave & Buckeye Rd.....	23:39		
		Deadhead		59th Ave & Buckeye Rd.....	19:49	59th Ave & Buckeye Rd.....	23:44		
		75th Ave & Buckeye Rd.....	15:55	75th Ave & Buckeye Rd.....	19:55	75th Ave & Buckeye Rd.....	23:49		
		75th Ave & Buckeye Rd.....	15:59						
				Deadhead		Pull In			
		13 / East / 36 / 20164029		75th Ave & Buckeye Rd.....	19:55	75th Ave & Buckeye Rd.....	23:49		
		75th Ave & Buckeye Rd.....	16:30	75th Ave & Buckeye Rd.....	19:59	West Transit Facility.....	23:59		
		59th Ave & Buckeye Rd.....	16:34						
		43rd Ave & Buckeye Rd.....	16:39	13 / East / 36 / 20164032					
		19th Ave & Buckeye Rd.....	16:49	75th Ave & Buckeye Rd.....	20:30				
		Central Ave & Buckeye Rd.....	16:55	59th Ave & Buckeye Rd.....	20:34				
		16th St & Buckeye Rd.....	17:00	43rd Ave & Buckeye Rd.....	20:39				
		Sky Harbor West.....	17:07	19th Ave & Buckeye Rd.....	20:49				
				Central Ave & Buckeye Rd.....	20:55				
				16th St & Buckeye Rd.....	21:00				
				Sky Harbor West.....	21:07				

Phoenix West

Effective: 01/22/2024

2104
Saturday

Duty Type	Block	Report Time	Start Place	Start Time	End Time	End Place	Clear Time	Paid Time	Seat Time
ST	CAR 2014	13:42	WEST 94TH	13:47 14:01	14:01 23:50	94TH WEST	23:50	10h08	8h13

Sign-on	13:42	Deadhead				29 / West / 199 / 20164040			
		93rd Ave & Thomas Rd.....		17:59		56th St & Thomas Rd.....		20:39	
Travel by	CAR	94th Av Layover.....		18:00		44th St & Thomas Rd.....		20:46	
						24th St & Thomas Rd.....		20:58	
Car Pull		Deadhead				Central Ave & Thomas Rd.....		21:10	
West Transit Facility.....	13:47	94th Av Layover.....		18:32		19th Ave & Thomas Rd.....		21:16	
94th Av Layover.....	14:01	93rd Ave & Thomas Rd.....		18:33		35th Ave & Thomas Rd.....		21:24	
						51st Ave & Thomas Rd.....		21:30	
Block	2014	29 / East / 31 / 20163873				67th Ave & Thomas Rd.....		21:36	
		93rd Ave & Thomas Rd.....		18:33		Desert Sky TC.....		21:44	
Deadhead		Thomas Rd at Desert Sky TC....		18:39		Desert Sky TC.....		21:47	
94th Av Layover.....	14:29	67th Ave & Thomas Rd.....		18:46		93rd Ave & Thomas Rd.....		21:52	
93rd Ave & Thomas Rd.....	14:30	51st Ave & Thomas Rd.....		18:56					
		35th Ave & Thomas Rd.....		19:04		Deadhead			
29 / East / 31 / 20163867		19th Ave & Thomas Rd.....		19:13		93rd Ave & Thomas Rd.....		21:52	
93rd Ave & Thomas Rd.....	14:30	Central Ave & Thomas Rd.....		19:20		94th Av Layover.....		21:53	
Thomas Rd at Desert Sky TC....	14:36	24th St & Thomas Rd.....		19:33					
67th Ave & Thomas Rd.....	14:43	44th St & Thomas Rd.....		19:45		Deadhead			
51st Ave & Thomas Rd.....	14:53	56th St & Thomas Rd.....		19:52		94th Av Layover.....		22:10	
35th Ave & Thomas Rd.....	15:02	Scottsdale Rd & Thomas Rd....		19:57		93rd Ave & Thomas Rd.....		22:11	
19th Ave & Thomas Rd.....	15:12	Pima Park.....		20:04					
Central Ave & Thomas Rd.....	15:20					29 / East / 257 / 20164251			
24th St & Thomas Rd.....	15:33	Deadhead				93rd Ave & Thomas Rd.....		22:11	
44th St & Thomas Rd.....	15:48	Pima Park.....		20:04		Thomas Rd at Desert Sky TC....		22:16	
56th St & Thomas Rd.....	15:55	56th St & Thomas Rd.....		20:19		67th Ave & Thomas Rd.....		22:22	
Scottsdale Rd & Thomas Rd....	16:01					51st Ave & Thomas Rd.....		22:28	
Pima Park.....	16:08					35th Ave & Thomas Rd.....		22:35	
						19th Ave & Thomas Rd.....		22:43	
29 / West / 199 / 20163898						Central Ave & Thomas Rd.....		22:50	
Pima Park.....	16:21					24th St & Thomas Rd.....		23:00	
Scottsdale Rd & Thomas Rd.....	16:26					44th St & Thomas Rd.....		23:09	
56th St & Thomas Rd.....	16:32					56th St & Thomas Rd.....		23:15	
44th St & Thomas Rd.....	16:41								
24th St & Thomas Rd.....	16:55					Pull In			
Central Ave & Thomas Rd.....	17:10					56th St & Thomas Rd.....		23:15	
19th Ave & Thomas Rd.....	17:17					West Transit Facility.....		23:50	
35th Ave & Thomas Rd.....	17:26								
51st Ave & Thomas Rd.....	17:33								
67th Ave & Thomas Rd.....	17:40								
Desert Sky TC.....	17:50								
Desert Sky TC.....	17:53								
93rd Ave & Thomas Rd.....	17:59								

Phoenix West

Effective: 01/22/2024

2105
Saturday

Duty Type	Block	Report Time	Start Place	Start Time	End Time	End Place	Clear Time	Paid Time	Seat Time
ST	CAR 2038	13:42	WEST 83VB	13:47 13:55	13:55 23:46	83VB WEST	23:46	10h04	8h11

Sign-on	13:42	3 / East / 86 / 20163931				3 / East / 181 / 20163968			
		4th St & La Canada Blvd.....	17:28			83rd Ave & Van Buren St.....	20:55		
Travel by	CAR	Avondale Civic Center.....	17:42			67th Ave & Van Buren St.....	21:00		
		99th Ave & Van Buren St.....	17:48			51st Ave & Van Buren St.....	21:09		
Car Pull		83rd Ave & Van Buren St.....	17:55			35th Ave & Van Buren St.....	21:18		
West Transit Facility.....	13:47	67th Ave & Van Buren St.....	18:00			19th Ave & Van Buren St.....	21:26		
83rd Ave & Van Buren St.....	13:55	51st Ave & Van Buren St.....	18:09			Central Ave & Van Buren St.....	21:35		
		35th Ave & Van Buren St.....	18:18			24th St & Van Buren St.....	21:46		
Block	2038	19th Ave & Van Buren St.....	18:26			44th St & Van Buren St.....	21:55		
		Central Ave & Van Buren St.....	18:35			Galvin Pkwy & Van Buren St...	22:02		
		24th St & Van Buren St.....	18:46						
		44th St & Van Buren St.....	18:55			Deadhead			
		Galvin Pkwy & Van Buren St.....	19:02			Galvin Pkwy & Van Buren St...	22:02		
		Phoenix Zoo.....	19:06			Galvin Pkwy & Van Buren St...	22:08		
		3 / West / 104 / 20163961				3 / West / 104 / 20164235			
		Phoenix Zoo.....	19:31			Galvin Pkwy & Van Buren St...	22:34		
		Galvin Pkwy & Van Buren St.....	19:34			44th St & Van Buren St.....	22:40		
		44th St & Van Buren St.....	19:40			24th St & Van Buren St.....	22:48		
		24th St & Van Buren St.....	19:48			2nd Ave & Van Buren St.....	23:00		
		2nd Ave & Van Buren St.....	20:00			19th Ave & Van Buren St.....	23:08		
		19th Ave & Van Buren St.....	20:08			35th Ave & Van Buren St.....	23:17		
		35th Ave & Van Buren St.....	20:17			51st Ave & Van Buren St.....	23:26		
		51st Ave & Van Buren St.....	20:26			67th Ave & Van Buren St.....	23:33		
		67th Ave & Van Buren St.....	20:33			83rd Ave & Van Buren St.....	23:41		
		83rd Ave & Van Buren St.....	20:41						
						Pull In			
		Deadhead				83rd Ave & Van Buren St.....	23:41		
		83rd Ave & Van Buren St.....	20:41			West Transit Facility.....	23:46		
		83rd Ave & Van Buren St.....	20:45						
		3 / West / 546 / 20163957							
		Phoenix Zoo.....	15:31						
		Galvin Pkwy & Van Buren St.....	15:34						
		44th St & Van Buren St.....	15:40						
		24th St & Van Buren St.....	15:48						
		2nd Ave & Van Buren St.....	16:00						
		19th Ave & Van Buren St.....	16:08						
		35th Ave & Van Buren St.....	16:17						
		51st Ave & Van Buren St.....	16:26						
		67th Ave & Van Buren St.....	16:33						
		83rd Ave & Van Buren St.....	16:41						
		99th Ave & Van Buren St.....	16:48						
		Avondale Civic Center.....	16:55						
		4th St & La Canada Blvd.....	17:06						

Phoenix West

Effective: 01/22/2024

2106

Saturday

Duty Type	Block	Report Time	Start Place	Start Time	End Time	End Place	Clear Time	Paid Time	Seat Time
ST	CAR 2041	13:47	WEST 67VB	13:52 14:02	14:02 23:18	67VB WEST	23:18	9h31	7h00

Sign-on	13:47	Deadhead				67 / North / 108 / 20163523			
		Arrowhead Mall North.....		16:26		Sierra Linda HS-North.....		19:18	
Travel by	CAR	Arrowhead Mall Layover.....		16:28		67th Ave & Van Buren St.....		19:25	
						67th Ave & Thomas Rd.....		19:33	
Car Pull		Deadhead				67th Ave & Camelback Rd.....		19:40	
West Transit Facility.....	13:52	Arrowhead Mall Layover.....		16:58		67th Ave & Glendale Ave.....		19:49	
67th Ave & Van Buren St.....	14:02	Arrowhead Mall North.....		17:00		67th Ave & Olive Ave.....		19:55	
						67th Ave & Thunderbird Rd.....		20:03	
Block	2041	83 / South / 155 / 20164182				67th Ave & Union Hills Dr.....		20:13	
		Arrowhead Mall North.....		17:00					
67 / South / 254 / 20164145		83rd Ave & Thunderbird Rd.....		17:11		Deadhead			
67th Ave & Van Buren St.....	14:02	83rd Ave & Peoria Ave.....		17:17		67th Ave & Union Hills Dr.....		20:13	
Sierra Linda HS-South.....	14:11	83rd Ave & Glendale Ave.....		17:30		67th Ave & Union Hills Dr.....		20:18	
		83rd Ave & Camelback Rd.....		17:35					
Deadhead		Desert Sky TC.....		17:41		67 / South / 254 / 20163662			
Sierra Linda HS-South.....	14:11	83rd Ave & Van Buren St.....		17:51		67th Ave & Union Hills Dr.....		20:43	
75th Ave & Lower Buckeye Rd	14:16					67th Ave & Thunderbird Rd.....		20:53	
		Deadhead				67th Ave & Olive Ave.....		21:01	
75 / North / 147 / 20163806		83rd Ave & Van Buren St.....		17:51		67th Ave & Glendale Ave.....		21:07	
75th Ave & Lower Buckeye Rd	14:25	83rd Ave & Van Buren St.....		17:55		67th Ave & Camelback Rd.....		21:15	
75th Ave & Van Buren St.....	14:31					67th Ave & Thomas Rd.....		21:22	
Desert Sky TC.....	14:43	83 / North / 153 / 20163842				67th Ave & Van Buren St.....		21:30	
75th Ave & Camelback Rd.....	14:54	83rd Ave & Van Buren St.....		18:02		Sierra Linda HS-South.....		21:37	
		Desert Sky TC.....		18:12					
Deadhead		83rd Ave & Camelback Rd.....		18:21		Deadhead			
75th Ave & Camelback Rd.....	14:54					Sierra Linda HS-South.....		21:37	
83rd Ave & Camelback Rd.....	14:57	Deadhead				75th Ave & Lower Buckeye Rd		21:42	
		83rd Ave & Camelback Rd.....		18:21					
83 / South / 155 / 20163826		75th Ave & Camelback Rd.....		18:24		75 / North / 147 / 20164284			
83rd Ave & Camelback Rd.....	15:02					75th Ave & Lower Buckeye Rd		21:55	
Desert Sky TC.....	15:11	75 / South / 149 / 20163794				75th Ave & Van Buren St.....		21:59	
83rd Ave & Van Buren St.....	15:21	75th Ave & Camelback Rd.....		18:30		Desert Sky TC.....		22:08	
		Desert Sky TC.....		18:39		75th Ave & Camelback Rd.....		22:16	
Deadhead		75th Ave & Van Buren St.....		18:52					
83rd Ave & Van Buren St.....	15:21	75th Ave & Lower Buckeye Rd		18:56		Deadhead			
83rd Ave & Van Buren St.....	15:25					75th Ave & Camelback Rd.....		22:16	
		Deadhead				67th Ave & Camelback Rd.....		22:19	
83 / North / 183 / 20164208		75th Ave & Lower Buckeye Rd		19:13					
83rd Ave & Van Buren St.....	15:33	Sierra Linda HS-North.....		19:18		67 / South / 254 / 20164277			
Desert Sky TC.....	15:42					67th Ave & Camelback Rd.....		22:45	
83rd Ave & Camelback Rd.....	15:52					67th Ave & Thomas Rd.....		22:52	
83rd Ave & Glendale Ave.....	15:57					67th Ave & Van Buren St.....		23:00	
83rd Ave & Peoria Ave.....	16:09					Sierra Linda HS-South.....		23:07	
83rd Ave & Thunderbird Rd.....	16:15								
Arrowhead Mall North.....	16:26					Pull In			
						Sierra Linda HS-South.....		23:07	
						West Transit Facility.....		23:18	

Phoenix West

Effective: 01/22/2024

2107
Saturday

Duty Type	Block	Report Time	Start Place	Start Time	End Time	End Place	Clear Time	Paid Time	Seat Time
ST	CAR 2002	13:46	WEST 59IN	13:51 14:12	14:12 23:06	59IN WEST	23:06	9h20	7h21

Sign-on	13:46	Deadhead				41 / East / 172 / 20163688			
Travel by	CAR	Granite Reef Rd & Indian Sch		16:50	107th Ave & Indian School Rd.		19:45		
Car Pull		Pima Rd & Chaparral Rd.....		16:54	83rd Ave & Indian School Rd.....		19:53		
West Transit Facility.....	13:51	Deadhead			59th Ave & Indian School Rd.....		20:04		
59th Ave & Indian School Rd...	14:12	Pima Rd & Chaparral Rd.....		17:22	43rd Ave & Indian School Rd.....		20:12		
Block	2002	Granite Reef Rd & Indian Sch		17:26	19th Ave & Indian School Rd.....		20:24		
41 / West / 724 / 20163716					Central Ave & Indian School Rd.		20:33		
59th Ave & Indian School Rd...	14:12	41 / West / 724 / 20163704			Central Ave & Indian School Rd.		20:37		
83rd Ave & Indian School Rd.....	14:24	Granite Reef Rd & Indian Sch		17:26	24th St & Indian School Rd.....		20:47		
107th Ave & Indian School Rd.	14:36	Scottsdale Rd & Indian School		17:31	32nd St & Indian School Rd.....		20:50		
Deadhead		56th St & Indian School Rd.....		17:38	44th St & Indian School Rd.....		20:54		
107th Ave & Indian School Rd.	14:36	44th St & Indian School Rd.....		17:42	56th St & Indian School Rd.....		20:57		
		32nd St & Indian School Rd.....		17:48	Scottsdale Rd & Indian School		21:04		
		24th St & Indian School Rd.....		17:53	Granite Reef Rd & Indian Sch		21:12		
		Central Ave & Indian School Rd.		18:05					
		Central Ave & Indian School Rd.		18:09	Deadhead				
		19th Ave & Indian School Rd.....		18:16	Granite Reef Rd & Indian Sch		21:12		
		43rd Ave & Indian School Rd.....		18:32	56th St & Indian School Rd....		21:22		
		59th Ave & Indian School Rd.....		18:41					
		83rd Ave & Indian School Rd.....		18:53	41 / West / 724 / 20164054				
		107th Ave & Indian School Rd.		19:04	56th St & Indian School Rd....		21:45		
		Deadhead			44th St & Indian School Rd.....		21:48		
		107th Ave & Indian School Rd.		19:04	32nd St & Indian School Rd.....		21:53		
		107th Ave & Indian School Rd.		19:10	24th St & Indian School Rd.....		21:57		
					Central Ave & Indian School Rd.		22:05		
					Central Ave & Indian School Rd.		22:09		
					19th Ave & Indian School Rd.....		22:14		
					43rd Ave & Indian School Rd.....		22:25		
					59th Ave & Indian School Rd.....		22:32		
					83rd Ave & Indian School Rd.....		22:41		
					107th Ave & Indian School Rd.		22:51		
					Pull In				
					107th Ave & Indian School Rd.		22:51		
					West Transit Facility.....		23:06		

Phoenix West

Effective: 01/22/2024

2108
Saturday

Duty Type	Block	Report Time	Start Place	Start Time	End Time	End Place	Clear Time	Paid Time	Seat Time
ST	CAR 2001	13:50	WEST 67TH	13:55 14:13	14:13 24:35	67TH WEST	24:35	10h45	9h03

Sign-on	13:50	Deadhead				Deadhead			
		93rd Ave & Thomas Rd.....		17:29		94th Av Layover.....		21:38	
Travel by	CAR	94th Av Layover.....		17:30		93rd Ave & Thomas Rd.....		21:39	
Car Pull		Deadhead				29 / East / 257 / 20164047			
West Transit Facility.....	13:55	94th Av Layover.....		18:01		93rd Ave & Thomas Rd.....		21:39	
67th Ave & Thomas Rd.....	14:13	93rd Ave & Thomas Rd.....		18:02		Thomas Rd at Desert Sky TC....		21:44	
Block	2001	29 / East / 31 / 20163859				67th Ave & Thomas Rd.....		21:50	
		93rd Ave & Thomas Rd.....		18:02		51st Ave & Thomas Rd.....		21:58	
29 / East / 31 / 20163855		Thomas Rd at Desert Sky TC....		18:08		35th Ave & Thomas Rd.....		22:05	
67th Ave & Thomas Rd.....	14:13	67th Ave & Thomas Rd.....		18:15		19th Ave & Thomas Rd.....		22:13	
51st Ave & Thomas Rd.....	14:23	51st Ave & Thomas Rd.....		18:25		Central Ave & Thomas Rd.....		22:20	
35th Ave & Thomas Rd.....	14:32	35th Ave & Thomas Rd.....		18:33		24th St & Thomas Rd.....		22:30	
19th Ave & Thomas Rd.....	14:42	19th Ave & Thomas Rd.....		18:42		44th St & Thomas Rd.....		22:40	
Central Ave & Thomas Rd.....	14:50	Central Ave & Thomas Rd.....		18:50		56th St & Thomas Rd.....		22:46	
24th St & Thomas Rd.....	15:03	24th St & Thomas Rd.....		19:03		Deadhead			
44th St & Thomas Rd.....	15:18	44th St & Thomas Rd.....		19:15		56th St & Thomas Rd.....		22:46	
56th St & Thomas Rd.....	15:25	56th St & Thomas Rd.....		19:22		56th St & Thomas Rd.....		22:54	
Scottsdale Rd & Thomas Rd.....	15:31	Scottsdale Rd & Thomas Rd.....		19:28					
Pima Park.....	15:38	Pima Park.....		19:35		29 / West / 199 / 20164253			
						56th St & Thomas Rd.....		23:09	
29 / West / 199 / 20163897		29 / West / 199 / 20163903				44th St & Thomas Rd.....		23:16	
Pima Park.....	15:51	Pima Park.....		19:58		24th St & Thomas Rd.....		23:28	
Scottsdale Rd & Thomas Rd.....	15:56	Scottsdale Rd & Thomas Rd.....		20:03		Central Ave & Thomas Rd.....		23:40	
56th St & Thomas Rd.....	16:02	56th St & Thomas Rd.....		20:09		19th Ave & Thomas Rd.....		23:46	
44th St & Thomas Rd.....	16:11	44th St & Thomas Rd.....		20:16		35th Ave & Thomas Rd.....		23:54	
24th St & Thomas Rd.....	16:25	24th St & Thomas Rd.....		20:28		51st Ave & Thomas Rd.....		24:00	
Central Ave & Thomas Rd.....	16:40	Central Ave & Thomas Rd.....		20:40		67th Ave & Thomas Rd.....		24:06	
19th Ave & Thomas Rd.....	16:47	19th Ave & Thomas Rd.....		20:46		Desert Sky TC.....		24:14	
35th Ave & Thomas Rd.....	16:56	35th Ave & Thomas Rd.....		20:54		Desert Sky TC.....		24:17	
51st Ave & Thomas Rd.....	17:03	51st Ave & Thomas Rd.....		21:00		93rd Ave & Thomas Rd.....		24:22	
67th Ave & Thomas Rd.....	17:10	67th Ave & Thomas Rd.....		21:06					
Desert Sky TC.....	17:20	Desert Sky TC.....		21:14		Pull In			
Desert Sky TC.....	17:23	Desert Sky TC.....		21:17		93rd Ave & Thomas Rd.....		24:22	
93rd Ave & Thomas Rd.....	17:29	93rd Ave & Thomas Rd.....		21:22		West Transit Facility.....		24:35	
		Deadhead							
		93rd Ave & Thomas Rd.....		21:22					
		94th Av Layover.....		21:23					

Phoenix West

Effective: 01/22/2024

2109
Saturday

Duty Type	Block	Report Time	Start Place	Start Time	End Time	End Place	Clear Time	Paid Time	Seat Time
ST	CAR 2004	13:55	WEST 99MC	14:00 14:12	14:12 23:42	99MC WEST	23:42	9h47	8h09

Sign-on	13:55	17 / West / 253 / 20163776	17 / West / 253 / 20164039
		Pima Rd & McDowell Rd.....	52nd St & McDowell Rd.....
Travel by	CAR	Scottsdale Rd & McDowell Rd....	44th St & McDowell Rd.....
		52nd St & McDowell Rd.....	24th St & McDowell Rd.....
Car Pull		44th St & McDowell Rd.....	Central Ave & McDowell Rd.....
West Transit Facility.....	14:00	24th St & McDowell Rd.....	19th Ave & McDowell Rd.....
99th Ave & McDowell Rd.....	14:12	Central Ave & McDowell Rd.....	43rd Ave & McDowell Rd.....
		19th Ave & McDowell Rd.....	67th Ave & McDowell Rd.....
Block	2004	43rd Ave & McDowell Rd.....	83rd Ave & McDowell Rd.....
		67th Ave & McDowell Rd.....	99th Ave & McDowell Rd.....
		83rd Ave & McDowell Rd.....	-----
17 / East / 132 / 20163732		99th Ave & McDowell Rd.....	Deadhead
	14:24	83rd Ave & McDowell Rd.....	99th Ave & McDowell Rd.....
	14:32	67th Ave & McDowell Rd.....	99th Ave & McDowell Rd.....
	14:39	43rd Ave & McDowell Rd.....	-----
	14:52	19th Ave & McDowell Rd.....	17 / East / 255 / 20164244
	15:07	Central Ave & McDowell Rd.....	99th Ave & McDowell Rd.....
	15:17	24th St & McDowell Rd.....	83rd Ave & McDowell Rd.....
	15:29	44th St & McDowell Rd.....	67th Ave & McDowell Rd.....
	15:41	52nd St & McDowell Rd.....	43rd Ave & McDowell Rd.....
	15:44	Scottsdale Rd & McDowell Rd....	19th Ave & McDowell Rd.....
	15:52	Pima Rd & McDowell Rd.....	Central Ave & McDowell Rd.....
	16:00	-----	24th St & McDowell Rd.....
Deadhead		19th Ave & McDowell Rd.....	44th St & McDowell Rd.....
Pima Rd & McDowell Rd.....	16:00	Central Ave & McDowell Rd.....	52nd St & McDowell Rd.....
Pima Rd & McDowell Rd.....	16:07	24th St & McDowell Rd.....	West Transit Facility.....
		44th St & McDowell Rd.....	-----
		52nd St & McDowell Rd.....	Pull In
		Scottsdale Rd & McDowell Rd....	52nd St & McDowell Rd.....
		Pima Rd & McDowell Rd.....	West Transit Facility.....
		-----	-----
		Deadhead	
		Pima Rd & McDowell Rd.....	20:00
		52nd St & McDowell Rd.....	20:15
		-----	-----

Phoenix West

Effective: 01/22/2024

2110
Saturday

Duty Type	Block	Report Time	Start Place	Start Time	End Time	End Place	Clear Time	Paid Time	Seat Time
ST	CAR 2025	13:58	WEST ASUW	14:03 14:38	14:38 24:34	ASUW WEST	24:34	10h36	8h07

Sign-on	13:58	51 / South / 27 / 20164065	51 / South / 28 / 20164086
		ASU West Campus.....	ASU West Campus.....
Travel by	CAR	51st Ave & Olive Ave.....	51st Ave & Olive Ave.....
		51st Ave & Glendale Ave.....	51st Ave & Glendale Ave.....
Car Pull		51st Ave & Camelback Rd.....	51st Ave & Camelback Rd.....
West Transit Facility.....	14:03	51st Ave & Thomas Rd.....	51st Ave & Thomas Rd.....
ASU West Campus.....	14:38	51st Ave & Van Buren St.....	51st Ave & Van Buren St.....
		51st Ave & Lower Buckeye Rd...	51st Ave & Lower Buckeye Rd...
Block	2025	51st Ave & Baseline Rd.....	51st Ave & Baseline Rd.....
		-----	Vee Quiva Casino.....
		51 / South / 28 / 20163622	Komatke Health Center.....
		ASU West Campus.....	51st Ave & Pecos Rd.....
		51st Ave & Olive Ave.....	51st Ave & Pecos Rd.....
		51st Ave & Glendale Ave.....	-----
		51st Ave & Camelback Rd.....	51 / North / 206 / 20164272
		51st Ave & Thomas Rd.....	51st Ave & Pecos Rd.....
		51st Ave & Van Buren St.....	Vee Quiva Casino.....
		51st Ave & Lower Buckeye Rd...	51st Ave & Baseline Rd.....
		51st Ave & Baseline Rd.....	51st Ave & Lower Buckeye Rd...
		Vee Quiva Casino.....	51st Ave & Van Buren St.....
		Komatke Health Center.....	51st Ave & Thomas Rd.....
		51st Ave & Pecos Rd.....	51st Ave & Thomas Rd.....
		-----	51st Ave & Camelback Rd.....
		51 / North / 206 / 20163609	51st Ave & Glendale Ave.....
		51st Ave & Pecos Rd.....	51st Ave & Olive Ave.....
		Vee Quiva Casino.....	ASU West Campus.....
		51st Ave & Baseline Rd.....	51st Ave & Olive Ave.....
		51st Ave & Lower Buckeye Rd...	ASU West Campus.....
		51st Ave & Van Buren St.....	West Transit Facility.....
		51st Ave & Thomas Rd.....	
		51st Ave & Camelback Rd.....	
		51st Ave & Glendale Ave.....	
		51st Ave & Olive Ave.....	
		ASU West Campus.....	

Phoenix West

Effective: 01/22/2024

2111
Saturday

Duty Type	Block	Report Time	Start Place	Start Time	End Time	End Place	Clear Time	Paid Time	Seat Time
ST	CAR 2018	13:58	WEST 51VB	14:03 14:15	14:15 24:05	51VB WEST	24:05	10h07	7h48

Sign-on	13:58	51 / South / 28 / 20163623	Deadhead
Travel by	CAR	ASU West Campus.....	16:02
Car Pull		51st Ave & Olive Ave.....	16:14
West Transit Facility.....	14:03	51st Ave & Glendale Ave.....	16:21
51st Ave & Van Buren St.....	14:15	51st Ave & Camelback Rd.....	16:28
Block	2018	51st Ave & Thomas Rd.....	16:37
		51st Ave & Van Buren St.....	16:45
		51st Ave & Lower Buckeye Rd...	16:50
		51st Ave & Baseline Rd.....	16:58
		Vee Quiva Casino.....	17:10
		Komatke Health Center.....	17:22
		51st Ave & Pecos Rd.....	17:26
51 / South / 27 / 20164085		51 / North / 206 / 20163610	
51st Ave & Van Buren St.....	14:15	51st Ave & Pecos Rd.....	17:51
51st Ave & Lower Buckeye Rd...	14:20	Vee Quiva Casino.....	18:01
51st Ave & Baseline Rd.....	14:28	51st Ave & Baseline Rd.....	18:13
Deadhead		51st Ave & Lower Buckeye Rd...	18:20
51st Ave & Baseline Rd.....	14:28	51st Ave & Van Buren St.....	18:27
51st Ave & Baseline Rd.....	14:33	51st Ave & Thomas Rd.....	18:35
51 / North / 206 / 20164076		51st Ave & Camelback Rd.....	18:43
51st Ave & Baseline Rd.....	14:42	51st Ave & Glendale Ave.....	18:48
51st Ave & Lower Buckeye Rd...	14:49	51st Ave & Olive Ave.....	18:55
51st Ave & Van Buren St.....	14:56	ASU West Campus.....	19:06
51st Ave & Thomas Rd.....	15:05	51 / South / 27 / 20164078	
51st Ave & Camelback Rd.....	15:13	ASU West Campus.....	19:35
51st Ave & Glendale Ave.....	15:20	51st Ave & Olive Ave.....	19:47
51st Ave & Olive Ave.....	15:27	51st Ave & Glendale Ave.....	19:53
ASU West Campus.....	15:38	51st Ave & Camelback Rd.....	19:59
		51st Ave & Thomas Rd.....	20:07
		51st Ave & Van Buren St.....	20:15
		51st Ave & Lower Buckeye Rd...	20:21
		51st Ave & Baseline Rd.....	20:29
		51 / South / 28 / 20164268	
		ASU West Campus.....	22:08
		51st Ave & Olive Ave.....	22:19
		51st Ave & Glendale Ave.....	22:24
		51st Ave & Camelback Rd.....	22:29
		51st Ave & Thomas Rd.....	22:37
		51st Ave & Van Buren St.....	22:44
		51st Ave & Lower Buckeye Rd...	22:49
		51st Ave & Baseline Rd.....	22:57
		Vee Quiva Casino.....	23:09
		Komatke Health Center.....	23:21
		51st Ave & Pecos Rd.....	23:25
		Pull In	
		51st Ave & Pecos Rd.....	23:25
		West Transit Facility.....	24:05

Phoenix West

Effective: 01/22/2024

2112
Saturday

Duty Type	Block	Report Time	Start Place	Start Time	End Time	End Place	Clear Time	Paid Time	Seat Time
ST	CAR 2010	14:04	WEST 51HD	14:09 14:20	14:20 22:29	51HD WEST	22:29	8h25	6h13

Sign-on	14:04	Deadhead				Deadhead			
		59th Ave & Buckeye Rd.....		17:16		59th Ave & Buckeye Rd.....		20:15	
Travel by	CAR	51st Ave & Hadley St.....		17:20		51st Ave & Hadley St.....		20:19	
Car Pull		Deadhead				Deadhead			
West Transit Facility.....	14:09	51st Ave & Hadley St.....		17:49		51st Ave & Hadley St.....		20:54	
51st Ave & Hadley St.....	14:20	59th Ave & Buckeye Rd.....		17:53		59th Ave & Buckeye Rd.....		20:58	
Block	2010	59 / North / 830 / 20163637				59 / North / 830 / 20163628			
		59th Ave & Buckeye Rd.....		17:53		59th Ave & Buckeye Rd.....		20:58	
Deadhead		59th Ave & Van Buren St.....		17:55		59th Ave & Van Buren St.....		21:00	
51st Ave & Hadley St.....	14:49	59th Ave & Thomas Rd.....		18:04		59th Ave & Thomas Rd.....		21:06	
59th Ave & Buckeye Rd.....	14:53	59th Ave & Camelback Rd.....		18:13		59th Ave & Camelback Rd.....		21:13	
		59th Ave & Glendale Ave.....		18:22		59th Ave & Glendale Ave.....		21:21	
59 / North / 830 / 20163647		59th Ave & Olive Ave.....		18:32		59th Ave & Olive Ave.....		21:28	
59th Ave & Buckeye Rd.....	14:53	59th Ave & Thunderbird Rd.....		18:43		59th Ave & Thunderbird Rd.....		21:38	
59th Ave & Van Buren St.....	14:55	59th Ave & Bell Rd.....		18:50		59th Ave & Bell Rd.....		21:45	
59th Ave & Thomas Rd.....	15:04	59th Ave & Beardsley Rd.....		18:57		59th Ave & Beardsley Rd.....		21:51	
59th Ave & Camelback Rd.....	15:13								
59th Ave & Glendale Ave.....	15:23	59 / South / 220 / 20163629				Pull In			
59th Ave & Olive Ave.....	15:33	59th Ave & Beardsley Rd.....		19:19		59th Ave & Beardsley Rd.....		21:51	
59th Ave & Thunderbird Rd.....	15:45	59th Ave & Bell Rd.....		19:24		West Transit Facility.....		22:29	
59th Ave & Bell Rd.....	15:52	59th Ave & Thunderbird Rd.....		19:30					
59th Ave & Beardsley Rd.....	16:01	59th Ave & Olive Ave.....		19:41					
		59th Ave & Glendale Ave.....		19:49					
59 / South / 220 / 20163650		59th Ave & Camelback Rd.....		19:57					
59th Ave & Beardsley Rd.....	16:13	59th Ave & Thomas Rd.....		20:04					
59th Ave & Bell Rd.....	16:19	59th Ave & Van Buren St.....		20:12					
59th Ave & Thunderbird Rd.....	16:26	59th Ave & Buckeye Rd.....		20:15					
59th Ave & Olive Ave.....	16:38								
59th Ave & Glendale Ave.....	16:48								
59th Ave & Camelback Rd.....	16:57								
59th Ave & Thomas Rd.....	17:04								
59th Ave & Van Buren St.....	17:13								
59th Ave & Buckeye Rd.....	17:16								

Phoenix West

Effective: 01/22/2024

2113
Saturday

Duty Type	Block	Report Time	Start Place	Start Time	End Time	End Place	Clear Time	Paid Time	Seat Time
ST	CAR 2051	14:02	WEST 83VB	14:07 14:15	14:15 23:16	83VB WEST	23:16	9h14	7h23

Sign-on	14:02	Deadhead	3 / East / 181 / 20163935
Travel by	CAR	83rd Ave & Van Buren St..... 17:11	83rd Ave & Van Buren St..... 20:25
Car Pull		3 / East / 86 / 20163942	67th Ave & Van Buren St..... 20:30
West Transit Facility..... 14:07	14:07	83rd Ave & Van Buren St..... 17:25	51st Ave & Van Buren St..... 20:39
83rd Ave & Van Buren St..... 14:15	14:15	67th Ave & Van Buren St..... 17:30	35th Ave & Van Buren St..... 20:48
Block	2051	51st Ave & Van Buren St..... 17:39	19th Ave & Van Buren St..... 20:56
		35th Ave & Van Buren St..... 17:48	Central Ave & Van Buren St..... 21:05
		19th Ave & Van Buren St..... 17:56	24th St & Van Buren St..... 21:16
		Central Ave & Van Buren St..... 18:05	44th St & Van Buren St..... 21:25
		24th St & Van Buren St..... 18:16	Galvin Pkwy & Van Buren St... 21:32
		44th St & Van Buren St..... 18:25	Galvin Pkwy & Van Buren St... 21:38
		Galvin Pkwy & Van Buren St..... 18:32	
		Phoenix Zoo..... 18:36	
		3 / West / 104 / 20163917	3 / West / 104 / 20163969
		Phoenix Zoo..... 19:01	Galvin Pkwy & Van Buren St... 22:04
		Galvin Pkwy & Van Buren St..... 19:04	44th St & Van Buren St..... 22:10
		44th St & Van Buren St..... 19:10	24th St & Van Buren St..... 22:18
		24th St & Van Buren St..... 19:18	2nd Ave & Van Buren St..... 22:30
		2nd Ave & Van Buren St..... 19:30	19th Ave & Van Buren St..... 22:38
		19th Ave & Van Buren St..... 19:38	35th Ave & Van Buren St..... 22:47
		35th Ave & Van Buren St..... 19:47	51st Ave & Van Buren St..... 22:56
		51st Ave & Van Buren St..... 19:56	67th Ave & Van Buren St..... 23:03
		67th Ave & Van Buren St..... 20:03	83rd Ave & Van Buren St..... 23:11
		83rd Ave & Van Buren St..... 20:11	
		Deadhead	Pull In
		83rd Ave & Van Buren St..... 20:11	83rd Ave & Van Buren St..... 23:11
		83rd Ave & Van Buren St..... 20:15	West Transit Facility..... 23:16

Phoenix West

Effective: 01/22/2024

2114
Saturday

Duty Type	Block	Report Time	Start Place	Start Time	End Time	End Place	Clear Time	Paid Time	Seat Time
ST	CAR 2054	14:03	WEST 107I-E	14:08 14:26	14:26 24:32	107I-E WEST	24:32	10h29	8h20

Sign-on	14:03	Deadhead				41 / West / 724 / 20164021			
		107th Ave & Indian School Rd.	18:35			56th St & Indian School Rd.....		21:15	
Travel by	CAR	107th Ave & Indian School Rd.	18:41			44th St & Indian School Rd.....		21:18	
						32nd St & Indian School Rd.....		21:23	
Car Pull		41 / East / 172 / 20163721				24th St & Indian School Rd.....		21:27	
West Transit Facility.....	14:08	107th Ave & Indian School Rd.	19:12			Central Ave & Indian School Rd.		21:35	
107th Ave & Indian School Rd.	14:26	83rd Ave & Indian School Rd.....	19:20			Central Ave & Indian School Rd.		21:39	
		59th Ave & Indian School Rd.....	19:31			19th Ave & Indian School Rd.....		21:44	
Block	2054	43rd Ave & Indian School Rd.....	19:40			43rd Ave & Indian School Rd.....		21:55	
		19th Ave & Indian School Rd.....	19:54			59th Ave & Indian School Rd.....		22:02	
41 / East / 172 / 20163669		Central Ave & Indian School Rd.	20:03			83rd Ave & Indian School Rd.....		22:11	
107th Ave & Indian School Rd.	14:40	Central Ave & Indian School Rd.	20:07			107th Ave & Indian School Rd.		22:21	
83rd Ave & Indian School Rd.....	14:48	24th St & Indian School Rd.....	20:18						
59th Ave & Indian School Rd.....	14:59	32nd St & Indian School Rd.....	20:21			Deadhead			
43rd Ave & Indian School Rd.....	15:08	44th St & Indian School Rd.....	20:25			107th Ave & Indian School Rd.		22:21	
19th Ave & Indian School Rd.....	15:24	56th St & Indian School Rd.....	20:28			107th Ave & Indian School Rd.		22:27	
Central Ave & Indian School Rd.	15:33	Scottsdale Rd & Indian School	20:35						
Central Ave & Indian School Rd.	15:37	Granite Reef Rd & Indian Sch	20:43			41 / East / 267 / 20164254			
24th St & Indian School Rd.....	15:51					107th Ave & Indian School Rd.		22:56	
32nd St & Indian School Rd.....	15:55	Deadhead				83rd Ave & Indian School Rd.....		23:04	
44th St & Indian School Rd.....	16:02	Granite Reef Rd & Indian Sch	20:43			59th Ave & Indian School Rd.....		23:12	
56th St & Indian School Rd.....	16:05	56th St & Indian School Rd.....	20:53			43rd Ave & Indian School Rd.....		23:19	
Scottsdale Rd & Indian School	16:12					19th Ave & Indian School Rd.....		23:29	
Granite Reef Rd & Indian Sch	16:20					Central Ave & Indian School Rd.		23:33	
						Central Ave & Indian School Rd.		23:37	
Deadhead						24th St & Indian School Rd.....		23:47	
Granite Reef Rd & Indian Sch	16:20					32nd St & Indian School Rd.....		23:50	
Pima Rd & Chaparral Rd.....	16:24					44th St & Indian School Rd.....		23:54	
						56th St & Indian School Rd.....		23:57	
Deadhead									
Pima Rd & Chaparral Rd.....	16:52					Pull In			
Granite Reef Rd & Indian Sch	16:56					56th St & Indian School Rd.....		23:57	
						West Transit Facility.....		24:32	
41 / West / 724 / 20163717									
Granite Reef Rd & Indian Sch	16:56								
Scottsdale Rd & Indian School	17:01								
56th St & Indian School Rd.....	17:08								
44th St & Indian School Rd.....	17:12								
32nd St & Indian School Rd.....	17:18								
24th St & Indian School Rd.....	17:23								
Central Ave & Indian School Rd.	17:35								
Central Ave & Indian School Rd.	17:39								
19th Ave & Indian School Rd.....	17:47								
43rd Ave & Indian School Rd.....	18:03								
59th Ave & Indian School Rd.....	18:12								
83rd Ave & Indian School Rd.....	18:24								
107th Ave & Indian School Rd.	18:35								

Phoenix West

Effective: 01/22/2024

2115
Saturday

Duty Type	Block	Report Time	Start Place	Start Time	End Time	End Place	Clear Time	Paid Time	Seat Time
ST	CAR 2052	14:06	WEST 44MC	14:11 14:41	14:41 24:33	44MC WEST	24:33	10h27	8h02

Sign-on	14:06	Deadhead	Deadhead
Travel by	CAR	99th Ave & McDowell Rd..... 17:05	99th Ave & McDowell Rd..... 20:53
Car Pull		99th Ave & McDowell Rd..... 17:12	99th Ave & McDowell Rd..... 21:00
West Transit Facility.....	14:11	17 / East / 132 / 20163735	17 / East / 255 / 20164035
44th St & McDowell Rd.....	14:41	99th Ave & McDowell Rd..... 17:24	99th Ave & McDowell Rd..... 21:39
Block	2052	83rd Ave & McDowell Rd..... 17:32	83rd Ave & McDowell Rd..... 21:45
		67th Ave & McDowell Rd..... 17:39	67th Ave & McDowell Rd..... 21:51
		43rd Ave & McDowell Rd..... 17:52	43rd Ave & McDowell Rd..... 22:00
		19th Ave & McDowell Rd..... 18:07	19th Ave & McDowell Rd..... 22:11
		Central Ave & McDowell Rd..... 18:17	Central Ave & McDowell Rd..... 22:17
		24th St & McDowell Rd..... 18:29	24th St & McDowell Rd..... 22:27
		44th St & McDowell Rd..... 18:41	44th St & McDowell Rd..... 22:36
		52nd St & McDowell Rd..... 18:44	52nd St & McDowell Rd..... 22:39
		Scottsdale Rd & McDowell Rd... 18:52	
		Pima Rd & McDowell Rd..... 19:00	
Deadhead		Deadhead	Deadhead
Pima Rd & McDowell Rd..... 15:00		Pima Rd & McDowell Rd..... 19:00	52nd St & McDowell Rd..... 22:39
Pima Rd & McDowell Rd..... 15:07		Pima Rd & McDowell Rd..... 19:07	52nd St & McDowell Rd..... 22:44
		17 / West / 253 / 20163775	17 / West / 253 / 20164246
Pima Rd & McDowell Rd..... 15:32		Pima Rd & McDowell Rd..... 19:35	52nd St & McDowell Rd..... 23:20
Scottsdale Rd & McDowell Rd... 15:39		Scottsdale Rd & McDowell Rd... 19:42	44th St & McDowell Rd..... 23:23
52nd St & McDowell Rd..... 15:46		52nd St & McDowell Rd..... 19:49	24th St & McDowell Rd..... 23:33
44th St & McDowell Rd..... 15:49		44th St & McDowell Rd..... 19:52	Central Ave & McDowell Rd..... 23:43
24th St & McDowell Rd..... 16:01		44th St & McDowell Rd..... 19:52	19th Ave & McDowell Rd..... 23:48
Central Ave & McDowell Rd..... 16:13		24th St & McDowell Rd..... 20:03	43rd Ave & McDowell Rd..... 24:00
19th Ave & McDowell Rd..... 16:21		Central Ave & McDowell Rd..... 20:13	67th Ave & McDowell Rd..... 24:09
43rd Ave & McDowell Rd..... 16:36		19th Ave & McDowell Rd..... 20:18	83rd Ave & McDowell Rd..... 24:16
67th Ave & McDowell Rd..... 16:50		43rd Ave & McDowell Rd..... 20:30	99th Ave & McDowell Rd..... 24:23
83rd Ave & McDowell Rd..... 16:57		67th Ave & McDowell Rd..... 20:39	
99th Ave & McDowell Rd..... 17:05		83rd Ave & McDowell Rd..... 20:46	Pull In
		99th Ave & McDowell Rd..... 20:53	99th Ave & McDowell Rd..... 24:23
			West Transit Facility..... 24:33

Phoenix West

Effective: 01/22/2024

2116
Saturday

Duty Type	Block	Report Time	Start Place	Start Time	End Time	End Place	Clear Time	Paid Time	Seat Time
ST	CAR 2022	14:11	WEST 75LB	14:16 14:26	14:26 23:31	75LB WEST	23:31	9h20	5h40

Sign-on	14:11	75 / South / 149 / 20164169					Deadhead		
		75th Ave & Camelback Rd.....	17:00				75th Ave & Lower Buckeye Rd	20:44	
Travel by	CAR	Desert Sky TC.....	17:09				Sierra Linda HS-North.....	20:49	
		75th Ave & Van Buren St.....	17:22						
Car Pull		75th Ave & Lower Buckeye Rd	17:26				67 / North / 250 / 20164223		
West Transit Facility.....	14:16						Sierra Linda HS-North.....	20:49	
75th Ave & Lower Buckeye Rd	14:26	Deadhead					67th Ave & Van Buren St.....	20:56	
		75th Ave & Lower Buckeye Rd	17:42				67th Ave & Thomas Rd.....	21:04	
Block	2022	Sierra Linda HS-North.....	17:47				67th Ave & Camelback Rd.....	21:10	
Deadhead		67 / North / 250 / 20164224					Deadhead		
75th Ave & Lower Buckeye Rd	14:40	Sierra Linda HS-North.....	17:47				67th Ave & Camelback Rd.....	21:10	
Sierra Linda HS-North.....	14:45	67th Ave & Van Buren St.....	17:54				75th Ave & Camelback Rd.....	21:13	
		67th Ave & Thomas Rd.....	18:03						
		67th Ave & Camelback Rd.....	18:10						
							75 / South / 149 / 20163797		
67 / North / 250 / 20164220							75th Ave & Camelback Rd.....	21:30	
Sierra Linda HS-North.....	14:45	Deadhead					Desert Sky TC.....	21:38	
67th Ave & Van Buren St.....	14:54	67th Ave & Camelback Rd.....	18:10				75th Ave & Van Buren St.....	21:47	
67th Ave & Thomas Rd.....	15:03	59th Ave & Camelback Rd.....	18:13				75th Ave & Lower Buckeye Rd	21:51	
67th Ave & Camelback Rd.....	15:10								
Deadhead		59 / South / 220 / 20164123					Deadhead		
67th Ave & Camelback Rd.....	15:10	59th Ave & Camelback Rd.....	18:27				75th Ave & Lower Buckeye Rd	22:16	
59th Ave & Camelback Rd.....	15:13	59th Ave & Thomas Rd.....	18:34				Sierra Linda HS-North.....	22:21	
		59th Ave & Van Buren St.....	18:43						
		59th Ave & Buckeye Rd.....	18:46				67 / North / 250 / 20164279		
59 / South / 220 / 20164117							Sierra Linda HS-North.....	22:21	
59th Ave & Camelback Rd.....	15:27	Deadhead					67th Ave & Van Buren St.....	22:27	
59th Ave & Thomas Rd.....	15:34	59th Ave & Buckeye Rd.....	18:46				67th Ave & Thomas Rd.....	22:34	
59th Ave & Van Buren St.....	15:43	51st Ave & Hadley St.....	18:50				67th Ave & Camelback Rd.....	22:40	
59th Ave & Buckeye Rd.....	15:46								
Deadhead		Deadhead					Deadhead		
59th Ave & Buckeye Rd.....	15:46	51st Ave & Hadley St.....	19:22				67th Ave & Camelback Rd.....	22:40	
51st Ave & Hadley St.....	15:50	59th Ave & Buckeye Rd.....	19:26				75th Ave & Camelback Rd.....	22:43	
Deadhead		59 / North / 266 / 20164102					75 / South / 149 / 20164285		
51st Ave & Hadley St.....	16:19	59th Ave & Buckeye Rd.....	19:26				75th Ave & Camelback Rd.....	23:00	
59th Ave & Buckeye Rd.....	16:23	59th Ave & Van Buren St.....	19:28				Desert Sky TC.....	23:08	
		59th Ave & Thomas Rd.....	19:36				75th Ave & Van Buren St.....	23:17	
		59th Ave & Camelback Rd.....	19:43				75th Ave & Lower Buckeye Rd	23:21	
59 / North / 266 / 20164106									
59th Ave & Buckeye Rd.....	16:23	Deadhead					Pull In		
59th Ave & Van Buren St.....	16:25	59th Ave & Camelback Rd.....	19:43				75th Ave & Lower Buckeye Rd	23:21	
59th Ave & Thomas Rd.....	16:34	75th Ave & Camelback Rd.....	19:52				West Transit Facility.....	23:31	
59th Ave & Camelback Rd.....	16:43								
Deadhead		75 / South / 149 / 20164186							
59th Ave & Camelback Rd.....	16:43	75th Ave & Camelback Rd.....	20:00						
75th Ave & Camelback Rd.....	16:52	Desert Sky TC.....	20:08						
		75th Ave & Van Buren St.....	20:19						
		75th Ave & Lower Buckeye Rd	20:23						

Phoenix West

Effective: 01/22/2024

2117
Saturday

Duty Type	Block	Report Time	Start Place	Start Time	End Time	End Place	Clear Time	Paid Time	Seat Time
ST	CAR 2020	14:09	WEST 51VB	14:14 14:26	14:26 24:05	51VB WEST	24:05	9h56	7h39

Sign-on	14:09	51 / North / 206 / 20164069	51 / South / 27 / 20164067
Travel by	CAR	51st Ave & Baseline Rd.....	ASU West Campus.....
Car Pull		16:42	21:37
West Transit Facility.....	14:14	16:49	21:49
51st Ave & Van Buren St.....	14:26	16:56	21:54
Block	2020	17:05	21:59
		17:13	22:07
		17:18	22:14
		17:25	22:19
		ASU West Campus.....	51st Ave & Baseline Rd.....
		17:36	22:27

51 / North / 206 / 20163601		51 / South / 28 / 20163625	Deadhead
51st Ave & Van Buren St.....	14:26	ASU West Campus.....	51st Ave & Baseline Rd.....
51st Ave & Thomas Rd.....	14:35	18:03	22:27
51st Ave & Camelback Rd.....	14:43	18:15	51st Ave & Baseline Rd.....
51st Ave & Glendale Ave.....	14:50	18:22	22:32
51st Ave & Olive Ave.....	14:57	18:28	
ASU West Campus.....	15:08	18:37	51 / North / 206 / 20164273
		18:45	51st Ave & Baseline Rd.....
		18:51	22:45
		18:59	51st Ave & Lower Buckeye Rd...
51 / South / 27 / 20164094		19:11	22:52
ASU West Campus.....	15:32	19:23	51st Ave & Van Buren St.....
51st Ave & Olive Ave.....	15:44	51st Ave & Pecos Rd.....	22:57
51st Ave & Glendale Ave.....	15:51	19:27	51st Ave & Thomas Rd.....
51st Ave & Camelback Rd.....	15:58		23:05
51st Ave & Thomas Rd.....	16:07		51st Ave & Camelback Rd.....
51st Ave & Van Buren St.....	16:15		23:11
51st Ave & Lower Buckeye Rd...	16:20		51st Ave & Glendale Ave.....
51st Ave & Baseline Rd.....	16:28		51st Ave & Olive Ave.....
			23:22
			ASU West Campus.....
			23:32

Deadhead		51 / North / 206 / 20164091	Pull In
51st Ave & Baseline Rd.....	16:28	51st Ave & Pecos Rd.....	ASU West Campus.....
51st Ave & Baseline Rd.....	16:33	19:51	23:32
		20:01	West Transit Facility.....
		20:13	24:05
		20:20	
		20:27	
		20:35	
		20:41	
		20:46	
		20:52	
		ASU West Campus.....	
		21:02	

Phoenix West

Effective: 01/22/2024

2118
Saturday

Duty Type	Block	Report Time	Start Place	Start Time	End Time	End Place	Clear Time	Paid Time	Seat Time
ST	CAR 2027	14:14	WEST 75BU	14:19 14:29	14:29 22:35	75BU WEST	22:35	8h21	5h40

Sign-on	14:14	13 / East / 36 / 20163547				13 / West / 120 / 20164002				
		75th Ave & Buckeye Rd.....	17:00			Sky Harbor West.....			19:45	
Travel by	CAR	59th Ave & Buckeye Rd.....	17:04			16th St & Buckeye Rd.....			19:52	
		43rd Ave & Buckeye Rd.....	17:09			Central Ave & Buckeye Rd.....			19:57	
Car Pull		19th Ave & Buckeye Rd.....	17:19			19th Ave & Buckeye Rd.....			20:03	
West Transit Facility.....	14:19	Central Ave & Buckeye Rd.....	17:25			43rd Ave & Buckeye Rd.....			20:13	
75th Ave & Buckeye Rd.....	14:29	16th St & Buckeye Rd.....	17:30			59th Ave & Buckeye Rd.....			20:19	
		Sky Harbor West.....	17:37			75th Ave & Buckeye Rd.....			20:25	
Block	2027	-----			-----			-----		
		13 / West / 120 / 20164014				Deadhead				
		Sky Harbor West.....	17:45			75th Ave & Buckeye Rd.....			20:25	
		16th St & Buckeye Rd.....	17:52			75th Ave & Buckeye Rd.....			20:29	
		Central Ave & Buckeye Rd.....	17:57			-----				
		19th Ave & Buckeye Rd.....	18:03			13 / East / 36 / 20164052				
		43rd Ave & Buckeye Rd.....	18:13			75th Ave & Buckeye Rd.....			21:00	
		59th Ave & Buckeye Rd.....	18:19			59th Ave & Buckeye Rd.....			21:04	
		75th Ave & Buckeye Rd.....	18:25			43rd Ave & Buckeye Rd.....			21:09	
		-----				19th Ave & Buckeye Rd.....			21:19	
		Deadhead				Central Ave & Buckeye Rd.....			21:25	
		75th Ave & Buckeye Rd.....	18:25			16th St & Buckeye Rd.....			21:30	
		75th Ave & Buckeye Rd.....	18:29			Sky Harbor West.....			21:37	
		-----				-----				
		13 / East / 36 / 20163549				13 / West / 120 / 20164042				
		75th Ave & Buckeye Rd.....	19:00			Sky Harbor West.....			21:45	
		59th Ave & Buckeye Rd.....	19:04			16th St & Buckeye Rd.....			21:52	
		43rd Ave & Buckeye Rd.....	19:09			Central Ave & Buckeye Rd.....			21:57	
		19th Ave & Buckeye Rd.....	19:19			19th Ave & Buckeye Rd.....			22:03	
		Central Ave & Buckeye Rd.....	19:25			43rd Ave & Buckeye Rd.....			22:13	
		16th St & Buckeye Rd.....	19:30			59th Ave & Buckeye Rd.....			22:19	
		Sky Harbor West.....	19:37			75th Ave & Buckeye Rd.....			22:25	
		-----				-----				
		Deadhead				Pull In				
		75th Ave & Buckeye Rd.....	16:25			75th Ave & Buckeye Rd.....			22:25	
		75th Ave & Buckeye Rd.....	16:29			West Transit Facility.....			22:35	
		-----				-----				

Phoenix West

Effective: 01/22/2024

2119

Saturday

Duty Type	Block	Report Time	Start Place	Start Time	End Time	End Place	Clear Time	Paid Time	Seat Time
ST	CAR 2042	14:12	WEST 94TH	14:17 14:31	14:31 24:20	94TH WEST	24:20	10h08	8h05

Sign-on	14:12	Deadhead				29 / West / 199 / 20164051			
		93rd Ave & Thomas Rd.....		18:28		56th St & Thomas Rd.....		21:09	
Travel by	CAR	94th Av Layover.....		18:29		44th St & Thomas Rd.....		21:16	
						24th St & Thomas Rd.....		21:28	
Car Pull		Deadhead				Central Ave & Thomas Rd.....		21:40	
West Transit Facility.....	14:17	94th Av Layover.....		19:02		19th Ave & Thomas Rd.....		21:46	
94th Av Layover.....	14:31	93rd Ave & Thomas Rd.....		19:03		35th Ave & Thomas Rd.....		21:54	
						51st Ave & Thomas Rd.....		22:00	
Block	2042	29 / East / 31 / 20163861				67th Ave & Thomas Rd.....		22:06	
		93rd Ave & Thomas Rd.....		19:03		Desert Sky TC.....		22:14	
Deadhead		Thomas Rd at Desert Sky TC....		19:09		Desert Sky TC.....		22:17	
94th Av Layover.....	14:59	67th Ave & Thomas Rd.....		19:16		93rd Ave & Thomas Rd.....		22:22	
93rd Ave & Thomas Rd.....	15:00	51st Ave & Thomas Rd.....		19:26					
		35th Ave & Thomas Rd.....		19:34		Deadhead			
29 / East / 31 / 20163856		19th Ave & Thomas Rd.....		19:43		93rd Ave & Thomas Rd.....		22:22	
93rd Ave & Thomas Rd.....	15:00	Central Ave & Thomas Rd.....		19:50		94th Av Layover.....		22:23	
Thomas Rd at Desert Sky TC....	15:06	24th St & Thomas Rd.....		20:01					
67th Ave & Thomas Rd.....	15:13	44th St & Thomas Rd.....		20:11		Deadhead			
51st Ave & Thomas Rd.....	15:23	56th St & Thomas Rd.....		20:18		94th Av Layover.....		22:40	
35th Ave & Thomas Rd.....	15:32	Scottsdale Rd & Thomas Rd....		20:23		93rd Ave & Thomas Rd.....		22:41	
19th Ave & Thomas Rd.....	15:42	Pima Park.....		20:30					
Central Ave & Thomas Rd.....	15:50					29 / East / 257 / 20164250			
24th St & Thomas Rd.....	16:03	Deadhead				93rd Ave & Thomas Rd.....		22:41	
44th St & Thomas Rd.....	16:18	Pima Park.....		20:30		Thomas Rd at Desert Sky TC....		22:46	
56th St & Thomas Rd.....	16:25	56th St & Thomas Rd.....		20:45		67th Ave & Thomas Rd.....		22:52	
Scottsdale Rd & Thomas Rd....	16:31					51st Ave & Thomas Rd.....		22:58	
Pima Park.....	16:38					35th Ave & Thomas Rd.....		23:05	
						19th Ave & Thomas Rd.....		23:13	
29 / West / 199 / 20163900						Central Ave & Thomas Rd.....		23:20	
Pima Park.....	16:54					24th St & Thomas Rd.....		23:30	
Scottsdale Rd & Thomas Rd.....	16:59					44th St & Thomas Rd.....		23:39	
56th St & Thomas Rd.....	17:05					56th St & Thomas Rd.....		23:45	
44th St & Thomas Rd.....	17:14								
24th St & Thomas Rd.....	17:28					Pull In			
Central Ave & Thomas Rd.....	17:40					56th St & Thomas Rd.....		23:45	
19th Ave & Thomas Rd.....	17:47					West Transit Facility.....		24:20	
35th Ave & Thomas Rd.....	17:56								
51st Ave & Thomas Rd.....	18:03								
67th Ave & Thomas Rd.....	18:10								
Desert Sky TC.....	18:19								
Desert Sky TC.....	18:22								
93rd Ave & Thomas Rd.....	18:28								

Phoenix West

Effective: 01/22/2024

2120
Saturday

Duty Type	Block	Report Time	Start Place	Start Time	End Time	End Place	Clear Time	Paid Time	Seat Time
ST	CAR 2032	14:17	WEST 67VB	14:22 14:32	14:32 23:48	67VB WEST	23:48	9h31	6h35

Sign-on	14:17	83 / South / 155 / 20163823	75 / South / 149 / 20163796
		83rd Ave & Camelback Rd.....	17:05
Travel by	CAR	Desert Sky TC.....	17:11
		83rd Ave & Van Buren St.....	17:21
Car Pull		-----	-----
West Transit Facility.....	14:22	Deadhead	
67th Ave & Van Buren St.....	14:32	83rd Ave & Van Buren St.....	17:21
		83rd Ave & Van Buren St.....	17:25
Block	2032	-----	-----
		83 / North / 183 / 20164153	67 / North / 250 / 20164140
67 / South / 254 / 20163531		83rd Ave & Van Buren St.....	17:32
67th Ave & Van Buren St.....	14:32	Desert Sky TC.....	17:42
Sierra Linda HS-South.....	14:41	83rd Ave & Camelback Rd.....	17:51
		83rd Ave & Glendale Ave.....	17:56
Deadhead		83rd Ave & Peoria Ave.....	18:08
Sierra Linda HS-South.....	14:41	83rd Ave & Thunderbird Rd.....	18:14
75th Ave & Lower Buckeye Rd	14:46	Arrowhead Mall North.....	18:25
		-----	-----
75 / North / 147 / 20164168		Deadhead	
75th Ave & Lower Buckeye Rd	14:55	Arrowhead Mall North.....	18:25
75th Ave & Van Buren St.....	15:00	Arrowhead Mall Layover.....	18:27
Desert Sky TC.....	15:14	-----	-----
75th Ave & Camelback Rd.....	15:25	Deadhead	
		Arrowhead Mall Layover.....	19:00
Deadhead		Arrowhead Mall North.....	19:02
75th Ave & Camelback Rd.....	15:25	-----	-----
67th Ave & Camelback Rd.....	15:28	83 / South / 155 / 20164203	83 / South / 155 / 20164286
		Arrowhead Mall North.....	19:02
67 / South / 254 / 20164137		83rd Ave & Thunderbird Rd.....	19:12
67th Ave & Camelback Rd.....	15:45	83rd Ave & Peoria Ave.....	19:18
67th Ave & Thomas Rd.....	15:53	83rd Ave & Glendale Ave.....	19:30
67th Ave & Van Buren St.....	16:03	83rd Ave & Camelback Rd.....	19:35
Sierra Linda HS-South.....	16:12	Desert Sky TC.....	19:41
		83rd Ave & Van Buren St.....	19:50
Deadhead		-----	-----
Sierra Linda HS-South.....	16:12	Deadhead	
75th Ave & Lower Buckeye Rd	16:17	83rd Ave & Van Buren St.....	19:50
		83rd Ave & Van Buren St.....	19:54
75 / North / 147 / 20163808		-----	-----
75th Ave & Lower Buckeye Rd	16:25	83 / North / 153 / 20163844	67 / South / 254 / 20164276
75th Ave & Van Buren St.....	16:30	83rd Ave & Van Buren St.....	20:02
Desert Sky TC.....	16:44	Desert Sky TC.....	20:12
75th Ave & Camelback Rd.....	16:55	83rd Ave & Camelback Rd.....	20:20
		-----	-----
Deadhead		Deadhead	
75th Ave & Camelback Rd.....	16:55	83rd Ave & Camelback Rd.....	20:20
83rd Ave & Camelback Rd.....	16:58	75th Ave & Camelback Rd.....	20:23
		-----	-----
		Pull In	
		Sierra Linda HS-South.....	23:37
		West Transit Facility.....	23:48

Phoenix West

Effective: 01/22/2024

2121
Saturday

Duty Type	Block	Report Time	Start Place	Start Time	End Time	End Place	Clear Time	Paid Time	Seat Time
ST	CAR 2039	14:28	WEST 51VB	14:33 14:45	14:45 23:35	51VB WEST	23:35	9h07	7h06

Sign-on	14:28	51 / South / 27 / 20164064	51 / South / 28 / 20164071
		ASU West Campus.....	ASU West Campus.....
Travel by	CAR	51st Ave & Olive Ave.....	51st Ave & Olive Ave.....
		51st Ave & Glendale Ave.....	51st Ave & Glendale Ave.....
Car Pull		51st Ave & Camelback Rd.....	51st Ave & Camelback Rd.....
West Transit Facility.....	14:33	51st Ave & Thomas Rd.....	51st Ave & Thomas Rd.....
51st Ave & Van Buren St.....	14:45	51st Ave & Van Buren St.....	51st Ave & Van Buren St.....
		51st Ave & Lower Buckeye Rd...	51st Ave & Lower Buckeye Rd...
Block	2039	51st Ave & Baseline Rd.....	51st Ave & Baseline Rd.....
		-----	Vee Quiva Casino.....
51 / South / 28 / 20163621		Deadhead	Komatke Health Center.....
51st Ave & Van Buren St.....	14:45	51st Ave & Baseline Rd.....	51st Ave & Pecos Rd.....
51st Ave & Lower Buckeye Rd...	14:50	51st Ave & Baseline Rd.....	-----
51st Ave & Baseline Rd.....	14:58	-----	51 / North / 206 / 20164274
Vee Quiva Casino.....	15:10	51 / North / 206 / 20164077	51st Ave & Pecos Rd.....
Komatke Health Center.....	15:22	51st Ave & Baseline Rd.....	Vee Quiva Casino.....
51st Ave & Pecos Rd.....	15:26	51st Ave & Lower Buckeye Rd...	51st Ave & Baseline Rd.....
-----		51st Ave & Van Buren St.....	51st Ave & Lower Buckeye Rd...
51 / North / 206 / 20163608		51st Ave & Thomas Rd.....	51st Ave & Van Buren St.....
51st Ave & Pecos Rd.....	15:50	51st Ave & Camelback Rd.....	51st Ave & Thomas Rd.....
Vee Quiva Casino.....	16:00	51st Ave & Glendale Ave.....	51st Ave & Camelback Rd.....
51st Ave & Baseline Rd.....	16:12	51st Ave & Olive Ave.....	51st Ave & Glendale Ave.....
51st Ave & Lower Buckeye Rd...	16:19	ASU West Campus.....	51st Ave & Olive Ave.....
51st Ave & Van Buren St.....	16:26	-----	ASU West Campus.....
51st Ave & Thomas Rd.....	16:35	-----	-----
51st Ave & Camelback Rd.....	16:43		Pull In
51st Ave & Glendale Ave.....	16:48		ASU West Campus.....
51st Ave & Olive Ave.....	16:55		West Transit Facility.....
ASU West Campus.....	17:06		-----

Phoenix West

Effective: 01/22/2024

2122
Saturday

Duty Type	Block	Report Time	Start Place	Start Time	End Time	End Place	Clear Time	Paid Time	Seat Time
ST	CAR 2033	14:28	WEST 83VB	14:33 14:41	14:41 24:37	83VB WEST	24:37	10h09	8h19

Sign-on	14:28	3 / West / 546 / 20163959	3 / West / 104 / 20163962
		Phoenix Zoo.....	Galvin Pkwy & Van Buren St... 21:34
Travel by	CAR	Galvin Pkwy & Van Buren St.....	44th St & Van Buren St..... 21:40
		44th St & Van Buren St.....	24th St & Van Buren St..... 21:48
Car Pull		24th St & Van Buren St.....	2nd Ave & Van Buren St..... 22:00
West Transit Facility.....	14:33	2nd Ave & Van Buren St.....	19th Ave & Van Buren St..... 22:08
83rd Ave & Van Buren St.....	14:41	19th Ave & Van Buren St.....	35th Ave & Van Buren St..... 22:17
		35th Ave & Van Buren St.....	51st Ave & Van Buren St..... 22:26
Block	2033	51st Ave & Van Buren St.....	67th Ave & Van Buren St..... 22:33
		67th Ave & Van Buren St.....	83rd Ave & Van Buren St..... 22:41
		83rd Ave & Van Buren St.....	
		99th Ave & Van Buren St.....	Deadhead
		Avondale Civic Center.....	83rd Ave & Van Buren St..... 22:41
		4th St & La Canada Blvd.....	83rd Ave & Van Buren St..... 22:45
		3 / East / 181 / 20163934	3 / East / 181 / 20164232
		4th St & La Canada Blvd.....	83rd Ave & Van Buren St..... 22:55
		Avondale Civic Center.....	67th Ave & Van Buren St..... 23:00
		99th Ave & Van Buren St.....	51st Ave & Van Buren St..... 23:09
		83rd Ave & Van Buren St.....	35th Ave & Van Buren St..... 23:18
		67th Ave & Van Buren St.....	19th Ave & Van Buren St..... 23:26
		51st Ave & Van Buren St.....	Central Ave & Van Buren St..... 23:35
		35th Ave & Van Buren St.....	24th St & Van Buren St..... 23:46
		19th Ave & Van Buren St.....	44th St & Van Buren St..... 23:55
		Central Ave & Van Buren St.....	Galvin Pkwy & Van Buren St... 24:02
		24th St & Van Buren St.....	
		44th St & Van Buren St.....	Pull In
		Galvin Pkwy & Van Buren St... 21:02	Galvin Pkwy & Van Buren St... 24:02
			West Transit Facility..... 24:37
		Deadhead	
		Galvin Pkwy & Van Buren St... 21:02	
		Galvin Pkwy & Van Buren St... 21:08	

Phoenix West

Effective: 01/22/2024

2123
Saturday

Duty Type	Block	Report Time	Start Place	Start Time	End Time	End Place	Clear Time	Paid Time	Seat Time
ST	CAR 2034	14:41	WEST 75LB	14:46 14:56	14:56 23:35	75LB WEST	23:35	8h54	6h24

Sign-on	14:41	75 / North / 147 / 20164207	83 / North / 183 / 20164150
		75th Ave & Lower Buckeye Rd	83rd Ave & Van Buren St.....
Travel by	CAR	75th Ave & Van Buren St.....	Desert Sky TC.....
		Desert Sky TC.....	83rd Ave & Camelback Rd.....
Car Pull		75th Ave & Camelback Rd.....	83rd Ave & Glendale Ave.....
West Transit Facility.....	14:46	-----	83rd Ave & Peoria Ave.....
75th Ave & Lower Buckeye Rd	14:56	Deadhead	83rd Ave & Thunderbird Rd.....
		75th Ave & Camelback Rd.....	Arrowhead Mall North.....
Block	2034	67th Ave & Camelback Rd.....	21:20
		-----	-----
Deadhead		67 / South / 254 / 20164144	Deadhead
75th Ave & Lower Buckeye Rd	15:10	67th Ave & Camelback Rd.....	Arrowhead Mall North.....
Sierra Linda HS-North.....	15:15	67th Ave & Thomas Rd.....	Arrowhead Mall Layover.....
		67th Ave & Van Buren St.....	-----
		Sierra Linda HS-South.....	22:02
		-----	Arrowhead Mall North.....
67 / North / 108 / 20163519		Deadhead	22:04
Sierra Linda HS-North.....	15:15	Sierra Linda HS-South.....	83 / South / 155 / 20164289
67th Ave & Van Buren St.....	15:24	75th Ave & Lower Buckeye Rd	Arrowhead Mall North.....
67th Ave & Thomas Rd.....	15:33	19:08	22:04
67th Ave & Camelback Rd.....	15:40	19:13	83rd Ave & Thunderbird Rd.....
67th Ave & Glendale Ave.....	15:50	-----	83rd Ave & Peoria Ave.....
67th Ave & Olive Ave.....	15:56	75 / North / 147 / 20163811	83rd Ave & Glendale Ave.....
67th Ave & Thunderbird Rd.....	16:06	75th Ave & Lower Buckeye Rd	83rd Ave & Camelback Rd.....
67th Ave & Union Hills Dr.....	16:16	75th Ave & Van Buren St.....	83rd Ave & Van Buren St.....
		Desert Sky TC.....	22:49
		75th Ave & Camelback Rd.....	22:53
Deadhead		19:51	-----
67th Ave & Union Hills Dr.....	16:16	19:54	83 / South / 155 / 20163828
67th Ave & Union Hills Dr.....	16:21	-----	83 / North / 153 / 20164290
		75th Ave & Camelback Rd.....	83rd Ave & Van Buren St.....
67 / South / 254 / 20163534		83rd Ave & Camelback Rd.....	23:05
67th Ave & Union Hills Dr.....	16:39	83 / South / 155 / 20163828	Desert Sky TC.....
67th Ave & Thunderbird Rd.....	16:50	83rd Ave & Camelback Rd.....	83rd Ave & Camelback Rd.....
67th Ave & Olive Ave.....	16:59	20:05	23:20
67th Ave & Glendale Ave.....	17:06	Desert Sky TC.....	-----
67th Ave & Camelback Rd.....	17:15	83rd Ave & Van Buren St.....	-----
67th Ave & Thomas Rd.....	17:23	20:20	-----
67th Ave & Van Buren St.....	17:31	-----	-----
Sierra Linda HS-South.....	17:40	Deadhead	Pull In
		83rd Ave & Van Buren St.....	83rd Ave & Camelback Rd.....
		20:20	23:20
		20:24	West Transit Facility.....
Deadhead		-----	23:35
Sierra Linda HS-South.....	17:40	-----	-----
75th Ave & Lower Buckeye Rd	17:45	-----	-----

Phoenix West

Effective: 01/22/2024

2124

Saturday

Duty Type	Block	Report Time	Start Place	Start Time	End Time	End Place	Clear Time	Paid Time	Seat Time
ST	CAR 2059	14:41	WEST 43MC	14:46 15:06	15:06 24:03	43MC WEST	24:03	9h22	7h14

Sign-on	14:41	Deadhead				17 / East / 255 / 20164036			
		Pima Rd & McDowell Rd.....		18:30		99th Ave & McDowell Rd.....			21:09
Travel by	CAR	Pima Rd & McDowell Rd.....		18:37		83rd Ave & McDowell Rd.....			21:15
						67th Ave & McDowell Rd.....			21:21
Car Pull		17 / West / 253 / 20163765				43rd Ave & McDowell Rd.....			21:30
West Transit Facility.....	14:46	Pima Rd & McDowell Rd.....		19:02		19th Ave & McDowell Rd.....			21:41
43rd Ave & McDowell Rd.....	15:06	Scottsdale Rd & McDowell Rd....		19:09		Central Ave & McDowell Rd.....			21:47
		52nd St & McDowell Rd.....		19:16		24th St & McDowell Rd.....			21:57
Block	2059	44th St & McDowell Rd.....		19:19		44th St & McDowell Rd.....			22:06
		24th St & McDowell Rd.....		19:31		52nd St & McDowell Rd.....			22:09
		17 / West / 127 / 20163760							
43rd Ave & McDowell Rd.....	15:06	Central Ave & McDowell Rd.....		19:43					
67th Ave & McDowell Rd.....	15:20	19th Ave & McDowell Rd.....		19:51		Deadhead			
83rd Ave & McDowell Rd.....	15:27	43rd Ave & McDowell Rd.....		20:05		52nd St & McDowell Rd.....			22:09
99th Ave & McDowell Rd.....	15:35	67th Ave & McDowell Rd.....		20:14		52nd St & McDowell Rd.....			22:14
Litchfield Rd & McDowell Rd.....	15:50	83rd Ave & McDowell Rd.....		20:21					
Pebble Creek Pkwy & McDow	15:57	99th Ave & McDowell Rd.....		20:28		17 / West / 253 / 20164249			
						52nd St & McDowell Rd.....			22:50
Deadhead		Deadhead				44th St & McDowell Rd.....			22:53
Pebble Creek Pkwy & McDow	15:57	99th Ave & McDowell Rd.....		20:28		24th St & McDowell Rd.....			23:03
Pebble Creek Pkwy & McDow	16:04	99th Ave & McDowell Rd.....		20:35		Central Ave & McDowell Rd.....			23:13
						19th Ave & McDowell Rd.....			23:18
						43rd Ave & McDowell Rd.....			23:30
17 / East / 132 / 20163753						67th Ave & McDowell Rd.....			23:39
Pebble Creek Pkwy & McDow	16:32					83rd Ave & McDowell Rd.....			23:46
Litchfield Rd & McDowell Rd.....	16:39					99th Ave & McDowell Rd.....			23:53
99th Ave & McDowell Rd.....	16:54								
83rd Ave & McDowell Rd.....	17:02					Pull In			
67th Ave & McDowell Rd.....	17:09					99th Ave & McDowell Rd.....			23:53
43rd Ave & McDowell Rd.....	17:22					West Transit Facility.....			24:03
19th Ave & McDowell Rd.....	17:37								
Central Ave & McDowell Rd.....	17:47								
24th St & McDowell Rd.....	17:59								
44th St & McDowell Rd.....	18:11								
52nd St & McDowell Rd.....	18:14								
Scottsdale Rd & McDowell Rd....	18:22								
Pima Rd & McDowell Rd.....	18:30								

Phoenix West

Effective: 01/22/2024

2125
Saturday

Duty Type	Block	Report Time	Start Place	Start Time	End Time	End Place	Clear Time	Paid Time	Seat Time
ST	CAR 2050	14:44	WEST 75BU	14:49 14:59	14:59 23:56	75BU WEST	23:56	9h12	6h26

Sign-on	14:44	13 / West / 120 / 20163562				13 / East / 36 / 20164043			
		Sky Harbor West.....	18:15			75th Ave & Buckeye Rd.....		21:30	
Travel by	CAR	16th St & Buckeye Rd.....	18:22			59th Ave & Buckeye Rd.....		21:34	
		Central Ave & Buckeye Rd.....	18:27			43rd Ave & Buckeye Rd.....		21:39	
Car Pull		19th Ave & Buckeye Rd.....	18:33			19th Ave & Buckeye Rd.....		21:49	
West Transit Facility.....	14:49	43rd Ave & Buckeye Rd.....	18:43			Central Ave & Buckeye Rd.....		21:55	
75th Ave & Buckeye Rd.....	14:59	59th Ave & Buckeye Rd.....	18:49			16th St & Buckeye Rd.....		22:00	
		75th Ave & Buckeye Rd.....	18:55			Sky Harbor West.....		22:07	
Block	2050	Deadhead				13 / West / 120 / 20164242			
		13 / East / 36 / 20164030				75th Ave & Buckeye Rd.....		22:15	
		75th Ave & Buckeye Rd.....	15:30			75th Ave & Buckeye Rd.....		18:59	
		59th Ave & Buckeye Rd.....	15:34			16th St & Buckeye Rd.....		22:22	
		43rd Ave & Buckeye Rd.....	15:39			Central Ave & Buckeye Rd.....		22:27	
		19th Ave & Buckeye Rd.....	15:49			19th Ave & Buckeye Rd.....		22:33	
		Central Ave & Buckeye Rd.....	15:55			43rd Ave & Buckeye Rd.....		22:43	
		16th St & Buckeye Rd.....	16:00			59th Ave & Buckeye Rd.....		22:48	
		Sky Harbor West.....	16:07			75th Ave & Buckeye Rd.....		22:53	
		Deadhead				13 / West / 120 / 20163563			
		Sky Harbor West.....	16:15			Sky Harbor West.....		20:07	
		16th St & Buckeye Rd.....	16:22			75th Ave & Buckeye Rd.....		22:53	
		Central Ave & Buckeye Rd.....	16:27			75th Ave & Buckeye Rd.....		22:57	
		19th Ave & Buckeye Rd.....	16:33			13 / East / 36 / 20164026			
		43rd Ave & Buckeye Rd.....	16:43			Sky Harbor West.....	20:15		
		59th Ave & Buckeye Rd.....	16:49			16th St & Buckeye Rd.....	20:22		
		75th Ave & Buckeye Rd.....	16:55			Central Ave & Buckeye Rd.....	20:27		
		Deadhead				19th Ave & Buckeye Rd.....	20:33		
		75th Ave & Buckeye Rd.....	16:55			43rd Ave & Buckeye Rd.....	20:43		
		75th Ave & Buckeye Rd.....	16:59			59th Ave & Buckeye Rd.....	20:49		
		Deadhead				75th Ave & Buckeye Rd.....	20:55		
		13 / East / 36 / 20164028				75th Ave & Buckeye Rd.....	20:59		
		75th Ave & Buckeye Rd.....	17:30			Pull In			
		59th Ave & Buckeye Rd.....	17:34			Sky Harbor West.....	23:37		
		43rd Ave & Buckeye Rd.....	17:39			West Transit Facility.....	23:56		
		19th Ave & Buckeye Rd.....	17:49			13 / East / 36 / 20164238			
		Central Ave & Buckeye Rd.....	17:55			75th Ave & Buckeye Rd.....	23:02		
		16th St & Buckeye Rd.....	18:00			59th Ave & Buckeye Rd.....	23:06		
		Sky Harbor West.....	18:07			43rd Ave & Buckeye Rd.....	23:11		
		Deadhead				19th Ave & Buckeye Rd.....	23:20		
		Deadhead				Central Ave & Buckeye Rd.....	23:25		
		Deadhead				16th St & Buckeye Rd.....	23:30		
		Deadhead				Sky Harbor West.....	23:37		

Phoenix West

Effective: 01/22/2024

2126
Saturday

Duty Type	Block	Report Time	Start Place	Start Time	End Time	End Place	Clear Time	Paid Time	Seat Time
ST	CAR 2044	14:42	WEST 94TH	14:47 15:01	15:01 24:50	94TH WEST	24:50	10h08	8h01

Sign-on	14:42	Deadhead				29 / West / 199 / 20164049			
		93rd Ave & Thomas Rd.....		18:58		56th St & Thomas Rd.....		21:39	
Travel by	CAR	94th Av Layover.....		18:59		44th St & Thomas Rd.....		21:46	
						24th St & Thomas Rd.....		21:58	
Car Pull		Deadhead				Central Ave & Thomas Rd.....		22:10	
West Transit Facility.....	14:47	94th Av Layover.....		19:34		19th Ave & Thomas Rd.....		22:16	
94th Av Layover.....	15:01	93rd Ave & Thomas Rd.....		19:35		35th Ave & Thomas Rd.....		22:24	
						51st Ave & Thomas Rd.....		22:30	
Block	2044	29 / East / 31 / 20163874				67th Ave & Thomas Rd.....		22:36	
		93rd Ave & Thomas Rd.....		19:35		Desert Sky TC.....		22:44	
Deadhead		Thomas Rd at Desert Sky TC....		19:41		Desert Sky TC.....		22:47	
94th Av Layover.....	15:29	67th Ave & Thomas Rd.....		19:48		93rd Ave & Thomas Rd.....		22:52	
93rd Ave & Thomas Rd.....	15:30	51st Ave & Thomas Rd.....		19:56					
		35th Ave & Thomas Rd.....		20:04		Deadhead			
29 / East / 31 / 20163868		19th Ave & Thomas Rd.....		20:13		93rd Ave & Thomas Rd.....		22:52	
93rd Ave & Thomas Rd.....	15:30	Central Ave & Thomas Rd.....		20:20		94th Av Layover.....		22:53	
Thomas Rd at Desert Sky TC....	15:36	24th St & Thomas Rd.....		20:31					
67th Ave & Thomas Rd.....	15:43	44th St & Thomas Rd.....		20:41		Deadhead			
51st Ave & Thomas Rd.....	15:53	56th St & Thomas Rd.....		20:48		94th Av Layover.....		23:10	
35th Ave & Thomas Rd.....	16:02	Scottsdale Rd & Thomas Rd....		20:53		93rd Ave & Thomas Rd.....		23:11	
19th Ave & Thomas Rd.....	16:12	Pima Park.....		21:00					
Central Ave & Thomas Rd.....	16:20					29 / East / 257 / 20164245			
24th St & Thomas Rd.....	16:33	Deadhead				93rd Ave & Thomas Rd.....		23:11	
44th St & Thomas Rd.....	16:45	Pima Park.....		21:00		Thomas Rd at Desert Sky TC....		23:16	
56th St & Thomas Rd.....	16:52	56th St & Thomas Rd.....		21:15		67th Ave & Thomas Rd.....		23:22	
Scottsdale Rd & Thomas Rd....	16:58					51st Ave & Thomas Rd.....		23:28	
Pima Park.....	17:05					35th Ave & Thomas Rd.....		23:35	
						19th Ave & Thomas Rd.....		23:43	
29 / West / 199 / 20163896						Central Ave & Thomas Rd.....		23:50	
Pima Park.....	17:23					24th St & Thomas Rd.....		24:00	
Scottsdale Rd & Thomas Rd.....	17:28					44th St & Thomas Rd.....		24:09	
56th St & Thomas Rd.....	17:34					56th St & Thomas Rd.....		24:15	
44th St & Thomas Rd.....	17:43								
24th St & Thomas Rd.....	17:58					Pull In			
Central Ave & Thomas Rd.....	18:10					56th St & Thomas Rd.....		24:15	
19th Ave & Thomas Rd.....	18:17					West Transit Facility.....		24:50	
35th Ave & Thomas Rd.....	18:26								
51st Ave & Thomas Rd.....	18:33								
67th Ave & Thomas Rd.....	18:40								
Desert Sky TC.....	18:49								
Desert Sky TC.....	18:52								
93rd Ave & Thomas Rd.....	18:58								

Phoenix West

Effective: 01/22/2024

2127
Saturday

Duty Type	Block	Report Time	Start Place	Start Time	End Time	End Place	Clear Time	Paid Time	Seat Time
ST	CAR 2061	14:45	WEST 83MC	14:50 15:02	15:02 24:42	83MC WEST	24:42	9h57	7h48

Sign-on	14:45	Deadhead	Deadhead
Travel by	CAR	Pebble Creek Pkwy & McDow	99th Ave & McDowell Rd..... 22:53
Car Pull		99th Ave & McDowell Rd..... 18:57	99th Ave & McDowell Rd..... 23:00
West Transit Facility..... 14:50		17 / East / 255 / 20164041	17 / East / 255 / 20164240
83rd Ave & McDowell Rd..... 15:02		99th Ave & McDowell Rd..... 20:09	99th Ave & McDowell Rd..... 23:09
Block	2061	83rd Ave & McDowell Rd..... 20:15	83rd Ave & McDowell Rd..... 23:15
		67th Ave & McDowell Rd..... 20:21	67th Ave & McDowell Rd..... 23:21
		43rd Ave & McDowell Rd..... 20:30	43rd Ave & McDowell Rd..... 23:30
		19th Ave & McDowell Rd..... 20:41	19th Ave & McDowell Rd..... 23:41
		Central Ave & McDowell Rd..... 20:47	Central Ave & McDowell Rd..... 23:47
		24th St & McDowell Rd..... 20:57	24th St & McDowell Rd..... 23:57
		44th St & McDowell Rd..... 21:06	44th St & McDowell Rd..... 24:06
		52nd St & McDowell Rd..... 21:09	52nd St & McDowell Rd..... 24:09
		Deadhead	Pull In
		52nd St & McDowell Rd..... 21:09	52nd St & McDowell Rd..... 24:09
		52nd St & McDowell Rd..... 21:14	West Transit Facility..... 24:42
		17 / West / 253 / 20164034	
		52nd St & McDowell Rd..... 21:50	
		44th St & McDowell Rd..... 21:53	
		24th St & McDowell Rd..... 22:03	
		Central Ave & McDowell Rd..... 22:13	
		19th Ave & McDowell Rd..... 22:18	
		43rd Ave & McDowell Rd..... 22:30	
		67th Ave & McDowell Rd..... 22:39	
		83rd Ave & McDowell Rd..... 22:46	
		99th Ave & McDowell Rd..... 22:53	
		Deadhead	
		Pima Rd & McDowell Rd..... 16:30	
		Pima Rd & McDowell Rd..... 16:37	
		17 / West / 127 / 20163763	
		Pima Rd & McDowell Rd..... 17:02	
		Scottsdale Rd & McDowell Rd.... 17:09	
		52nd St & McDowell Rd..... 17:16	
		44th St & McDowell Rd..... 17:19	
		24th St & McDowell Rd..... 17:31	
		Central Ave & McDowell Rd..... 17:43	
		19th Ave & McDowell Rd..... 17:51	
		43rd Ave & McDowell Rd..... 18:06	
		67th Ave & McDowell Rd..... 18:20	
		83rd Ave & McDowell Rd..... 18:27	
		99th Ave & McDowell Rd..... 18:35	
		Litchfield Rd & McDowell Rd..... 18:50	
		Pebble Creek Pkwy & McDow	

Phoenix West

Effective: 01/22/2024

2128
Saturday

Duty Type	Block	Report Time	Start Place	Start Time	End Time	End Place	Clear Time	Paid Time	Seat Time
ST	CAR 2040	14:43	WEST 43LB	14:48 15:08	15:08 24:12	43LB WEST	24:12	9h29	7h45

Sign-on	14:43	43 / North / 182 / 20163575	Deadhead
Travel by	CAR	43rd Ave & Lower Buckeye Rd	43rd Ave & Union Hills Dr..... 21:07
Car Pull		43rd Ave & Van Buren St.....	43rd Ave & Union Hills Dr..... 21:14
West Transit Facility.....	14:48	43rd Ave & Thomas Rd.....	-----
43rd Ave & Lower Buckeye Rd	15:08	43rd Ave & Camelback Rd.....	43 / South / 207 / 20164001
Block	2040	43rd Ave & Glendale Ave.....	43rd Ave & Union Hills Dr..... 21:36
		43rd Ave & Dunlap Ave.....	43rd Ave & Thunderbird Rd.....
		43rd Ave & Thunderbird Rd.....	21:43
		43rd Ave & Union Hills Dr.....	43rd Ave & Dunlap Ave..... 21:52
			43rd Ave & Glendale Ave.....
			43rd Ave & Camelback Rd.....
			43rd Ave & Thomas Rd.....
			43rd Ave & Van Buren St.....
			43rd Ave & Lower Buckeye Rd 22:28

			43 / South / 207 / 20163597
			Deadhead
			43rd Ave & Union Hills Dr..... 18:41
			43rd Ave & Union Hills Dr..... 18:48
			43rd Ave & Lower Buckeye Rd 22:28

			43 / North / 182 / 20164012
			Deadhead
			43rd Ave & Lower Buckeye Rd 15:16
			43rd Ave & Lower Buckeye Rd 22:28
			43rd Ave & Lower Buckeye Rd 22:34

			43 / South / 207 / 20163974
			Deadhead
			43rd Ave & Union Hills Dr..... 16:31
			43rd Ave & Lower Buckeye Rd 19:58
			43rd Ave & Lower Buckeye Rd 20:04
			43rd Ave & Union Hills Dr..... 23:37

			43 / North / 182 / 20164264
			Deadhead
			43rd Ave & Lower Buckeye Rd 22:51
			43rd Ave & Van Buren St.....
			43rd Ave & Thomas Rd.....
			43rd Ave & Camelback Rd.....
			43rd Ave & Glendale Ave.....
			43rd Ave & Dunlap Ave.....
			43rd Ave & Thunderbird Rd.....
			43rd Ave & Union Hills Dr..... 23:37

			43 / North / 182 / 20163991
			Pull In
			43rd Ave & Lower Buckeye Rd 20:18
			43rd Ave & Union Hills Dr..... 23:37
			West Transit Facility..... 24:12

			43rd Ave & Van Buren St.....
			43rd Ave & Thomas Rd.....
			43rd Ave & Camelback Rd.....
			43rd Ave & Glendale Ave.....
			43rd Ave & Dunlap Ave.....
			43rd Ave & Thunderbird Rd.....
			43rd Ave & Union Hills Dr..... 21:07

Phoenix West

Effective: 01/22/2024

2129
Saturday

Duty Type	Block	Report Time	Start Place	Start Time	End Time	End Place	Clear Time	Paid Time	Seat Time
ST	CAR 2047	14:55	WEST 99MC	15:00 15:12	15:12 24:12	99MC WEST	24:12	9h17	7h53

Sign-on	14:55	17 / West / 253 / 20163777				17 / West / 253 / 20164038			
		Pima Rd & McDowell Rd.....	17:32			52nd St & McDowell Rd.....		21:20	
Travel by	CAR	Scottsdale Rd & McDowell Rd....	17:39			44th St & McDowell Rd.....		21:23	
		52nd St & McDowell Rd.....	17:46			24th St & McDowell Rd.....		21:33	
Car Pull		44th St & McDowell Rd.....	17:49			Central Ave & McDowell Rd.....		21:43	
West Transit Facility.....	15:00	24th St & McDowell Rd.....	18:01			19th Ave & McDowell Rd.....		21:48	
99th Ave & McDowell Rd.....	15:12	Central Ave & McDowell Rd.....	18:13			43rd Ave & McDowell Rd.....		22:00	
		19th Ave & McDowell Rd.....	18:21			67th Ave & McDowell Rd.....		22:09	
Block	2047	43rd Ave & McDowell Rd.....	18:36			83rd Ave & McDowell Rd.....		22:16	
		67th Ave & McDowell Rd.....	18:50			99th Ave & McDowell Rd.....		22:23	
		83rd Ave & McDowell Rd.....	18:57			-----			
17 / East / 132 / 20163733		99th Ave & McDowell Rd.....	15:24			Deadhead			
		83rd Ave & McDowell Rd.....	15:32			99th Ave & McDowell Rd.....		22:23	
		67th Ave & McDowell Rd.....	15:39			99th Ave & McDowell Rd.....		22:30	
		43rd Ave & McDowell Rd.....	15:52			-----			
		19th Ave & McDowell Rd.....	16:07			99th Ave & McDowell Rd.....		19:05	
		Central Ave & McDowell Rd.....	16:17			99th Ave & McDowell Rd.....		19:12	
		24th St & McDowell Rd.....	16:29			-----			
		44th St & McDowell Rd.....	16:41			17 / East / 255 / 20164247			
		52nd St & McDowell Rd.....	16:44			99th Ave & McDowell Rd.....		22:39	
		Scottsdale Rd & McDowell Rd....	16:52			83rd Ave & McDowell Rd.....		22:45	
		Pima Rd & McDowell Rd.....	17:00			67th Ave & McDowell Rd.....		22:51	
		-----				43rd Ave & McDowell Rd.....		23:00	
Deadhead		19th Ave & McDowell Rd.....	20:11			19th Ave & McDowell Rd.....		23:11	
Pima Rd & McDowell Rd.....	17:00	Central Ave & McDowell Rd.....	20:17			Central Ave & McDowell Rd.....		23:17	
Pima Rd & McDowell Rd.....	17:07	24th St & McDowell Rd.....	20:27			24th St & McDowell Rd.....		23:27	
-----		44th St & McDowell Rd.....	20:36			44th St & McDowell Rd.....		23:36	
		52nd St & McDowell Rd.....	20:39			52nd St & McDowell Rd.....		23:39	
		Scottsdale Rd & McDowell Rd....	20:45			West Transit Facility.....		24:12	
		Pima Rd & McDowell Rd.....	20:52			-----			
		-----				Deadhead			
		Pima Rd & McDowell Rd.....	20:52			Pima Rd & McDowell Rd.....		20:52	
		52nd St & McDowell Rd.....	21:07			52nd St & McDowell Rd.....		21:07	
		-----				-----			

Phoenix West

Effective: 01/22/2024

2130
Saturday

Duty Type	Block	Report Time	Start Place	Start Time	End Time	End Place	Clear Time	Paid Time	Seat Time
ST	CAR 2058	15:14	WEST 75BU	15:19 15:29	15:29 23:29	75BU WEST	23:29	8h15	5h34

Sign-on	15:14	13 / East / 36 / 20163548				13 / West / 120 / 20163994			
		75th Ave & Buckeye Rd.....	18:00			Sky Harbor West.....		20:45	
Travel by	CAR	59th Ave & Buckeye Rd.....	18:04			16th St & Buckeye Rd.....		20:52	
		43rd Ave & Buckeye Rd.....	18:09			Central Ave & Buckeye Rd.....		20:57	
Car Pull		19th Ave & Buckeye Rd.....	18:19			19th Ave & Buckeye Rd.....		21:03	
West Transit Facility.....	15:19	Central Ave & Buckeye Rd.....	18:25			43rd Ave & Buckeye Rd.....		21:13	
75th Ave & Buckeye Rd.....	15:29	16th St & Buckeye Rd.....	18:30			59th Ave & Buckeye Rd.....		21:19	
		Sky Harbor West.....	18:37			75th Ave & Buckeye Rd.....		21:25	
Block	2058	-----			-----				
		13 / West / 120 / 20164003				Deadhead			
		Sky Harbor West.....	18:45			75th Ave & Buckeye Rd.....		21:25	
		16th St & Buckeye Rd.....	18:52			75th Ave & Buckeye Rd.....		21:29	
		Central Ave & Buckeye Rd.....	18:57			-----			
		43rd Ave & Buckeye Rd.....	19:03			13 / East / 36 / 20164239			
		19th Ave & Buckeye Rd.....	19:03			75th Ave & Buckeye Rd.....		22:00	
		43rd Ave & Buckeye Rd.....	19:13			59th Ave & Buckeye Rd.....		22:04	
		59th Ave & Buckeye Rd.....	19:19			43rd Ave & Buckeye Rd.....		22:09	
		75th Ave & Buckeye Rd.....	19:25			19th Ave & Buckeye Rd.....		22:19	
		-----			-----				
		Deadhead				Central Ave & Buckeye Rd.....		22:25	
		75th Ave & Buckeye Rd.....	19:25			16th St & Buckeye Rd.....		22:30	
		75th Ave & Buckeye Rd.....	19:29			Sky Harbor West.....		22:37	
		-----			-----				
		13 / East / 36 / 20163550				13 / West / 120 / 20164236			
		75th Ave & Buckeye Rd.....	20:00			Sky Harbor West.....		22:45	
		59th Ave & Buckeye Rd.....	20:04			16th St & Buckeye Rd.....		22:51	
		43rd Ave & Buckeye Rd.....	20:09			Central Ave & Buckeye Rd.....		22:55	
		19th Ave & Buckeye Rd.....	20:19			19th Ave & Buckeye Rd.....		23:00	
		Central Ave & Buckeye Rd.....	20:25			43rd Ave & Buckeye Rd.....		23:09	
		16th St & Buckeye Rd.....	20:30			59th Ave & Buckeye Rd.....		23:14	
		Sky Harbor West.....	20:37			75th Ave & Buckeye Rd.....		23:19	
		-----			-----				
		Deadhead				Pull In			
		75th Ave & Buckeye Rd.....	17:25			75th Ave & Buckeye Rd.....		23:19	
		75th Ave & Buckeye Rd.....	17:29			West Transit Facility.....		23:29	

Phoenix West

Effective: 01/22/2024

2131
Saturday

Duty Type	Block	Report Time	Start Place	Start Time	End Time	End Place	Clear Time	Paid Time	Seat Time
ST	CAR 2012	15:12	WEST 94TH	15:17 15:31	15:31 23:35	94TH WEST	23:35	8h23	6h27

Sign-on	15:12	29 / West / 199 / 20163901	29 / East / 31 / 20163863
		Pima Park.....	17:55
Travel by	CAR	Scottsdale Rd & Thomas Rd.....	17:55
		56th St & Thomas Rd.....	18:00
Car Pull		44th St & Thomas Rd.....	18:06
West Transit Facility.....	15:17	24th St & Thomas Rd.....	18:13
94th Av Layover.....	15:31	Central Ave & Thomas Rd.....	18:28
		19th Ave & Thomas Rd.....	18:40
Block	2012	35th Ave & Thomas Rd.....	18:47
		51st Ave & Thomas Rd.....	18:56
Deadhead		67th Ave & Thomas Rd.....	19:03
94th Av Layover.....	16:00	Desert Sky TC.....	19:10
93rd Ave & Thomas Rd.....	16:01	Desert Sky TC.....	19:19
		93rd Ave & Thomas Rd.....	19:22
			19:28
29 / East / 31 / 20163857		Deadhead	
93rd Ave & Thomas Rd.....	16:01	93rd Ave & Thomas Rd.....	19:28
Thomas Rd at Desert Sky TC....	16:07	94th Av Layover.....	19:29
67th Ave & Thomas Rd.....	16:14		
51st Ave & Thomas Rd.....	16:24	Deadhead	
35th Ave & Thomas Rd.....	16:33	94th Av Layover.....	20:07
19th Ave & Thomas Rd.....	16:42	93rd Ave & Thomas Rd.....	20:08
Central Ave & Thomas Rd.....	16:50		
24th St & Thomas Rd.....	17:03	29 / West / 199 / 20164252	
44th St & Thomas Rd.....	17:15	56th St & Thomas Rd.....	22:09
56th St & Thomas Rd.....	17:22	44th St & Thomas Rd.....	22:16
Scottsdale Rd & Thomas Rd.....	17:28	24th St & Thomas Rd.....	22:28
Pima Park.....	17:35	Central Ave & Thomas Rd.....	22:40
		19th Ave & Thomas Rd.....	22:46
		35th Ave & Thomas Rd.....	22:54
		51st Ave & Thomas Rd.....	23:00
		67th Ave & Thomas Rd.....	23:06
		Desert Sky TC.....	23:14
		Desert Sky TC.....	23:17
		93rd Ave & Thomas Rd.....	23:22
		Pull In	
		93rd Ave & Thomas Rd.....	23:22
		West Transit Facility.....	23:35

Phoenix West

Effective: 01/22/2024

2132
Saturday

Duty Type	Block	Report Time	Start Place	Start Time	End Time	End Place	Clear Time	Paid Time	Seat Time
ST	CAR 2021	15:13	WEST 43LB	15:18 15:38	15:38 23:13	43LB WEST	23:13	8h00	6h27

Sign-on	15:13	Deadhead		43 / North / 182 / 20163581	
		43rd Ave & Lower Buckeye Rd	17:59	43rd Ave & Lower Buckeye Rd	20:50
Travel by	CAR	43rd Ave & Lower Buckeye Rd	18:05	43rd Ave & Van Buren St.....	20:56
				43rd Ave & Thomas Rd.....	21:03
Car Pull		43 / North / 182 / 20163985		43rd Ave & Camelback Rd.....	21:10
West Transit Facility.....	15:18	43rd Ave & Lower Buckeye Rd	18:16	43rd Ave & Glendale Ave.....	21:16
43rd Ave & Lower Buckeye Rd	15:38	43rd Ave & Van Buren St.....	18:22	43rd Ave & Dunlap Ave.....	21:22
		43rd Ave & Thomas Rd.....	18:32	43rd Ave & Thunderbird Rd.....	21:29
Block	2021	43rd Ave & Camelback Rd.....	18:40	43rd Ave & Union Hills Dr.....	21:37
		43rd Ave & Glendale Ave.....	18:47		
		43rd Ave & Dunlap Ave.....	18:54	Deadhead	
43 / North / 182 / 20163577		43rd Ave & Thunderbird Rd.....	19:02	43rd Ave & Union Hills Dr.....	21:37
43rd Ave & Lower Buckeye Rd	15:46	43rd Ave & Union Hills Dr.....	19:11	43rd Ave & Union Hills Dr.....	21:44
43rd Ave & Van Buren St.....	15:52				
43rd Ave & Thomas Rd.....	16:02	Deadhead		43 / South / 207 / 20164261	
43rd Ave & Camelback Rd.....	16:10	43rd Ave & Union Hills Dr.....	19:11	43rd Ave & Union Hills Dr.....	22:07
43rd Ave & Glendale Ave.....	16:17	43rd Ave & Union Hills Dr.....	19:18	43rd Ave & Thunderbird Rd.....	22:14
43rd Ave & Dunlap Ave.....	16:24			43rd Ave & Dunlap Ave.....	22:22
43rd Ave & Thunderbird Rd.....	16:32	43 / South / 207 / 20164009		43rd Ave & Glendale Ave.....	22:28
43rd Ave & Union Hills Dr.....	16:41	43rd Ave & Union Hills Dr.....	19:35	43rd Ave & Camelback Rd.....	22:34
		43rd Ave & Thunderbird Rd.....	19:42	43rd Ave & Thomas Rd.....	22:42
Deadhead		43rd Ave & Dunlap Ave.....	19:51	43rd Ave & Van Buren St.....	22:50
43rd Ave & Union Hills Dr.....	16:41	43rd Ave & Glendale Ave.....	19:57	43rd Ave & Lower Buckeye Rd	22:58
43rd Ave & Union Hills Dr.....	16:48	43rd Ave & Camelback Rd.....	20:04		
		43rd Ave & Thomas Rd.....	20:12	Pull In	
43 / South / 207 / 20163593		43rd Ave & Van Buren St.....	20:20	43rd Ave & Lower Buckeye Rd	22:58
43rd Ave & Union Hills Dr.....	17:01	43rd Ave & Lower Buckeye Rd	20:28	West Transit Facility.....	23:13
43rd Ave & Thunderbird Rd.....	17:09				
43rd Ave & Dunlap Ave.....	17:19	Deadhead			
43rd Ave & Glendale Ave.....	17:26	43rd Ave & Lower Buckeye Rd	20:28		
43rd Ave & Camelback Rd.....	17:34	43rd Ave & Lower Buckeye Rd	20:34		
43rd Ave & Thomas Rd.....	17:43				
43rd Ave & Van Buren St.....	17:51				
43rd Ave & Lower Buckeye Rd	17:59				

Phoenix West

Effective: 01/22/2024

2133

Saturday

Duty Type	Block	Report Time	Start Place	Start Time	End Time	End Place	Clear Time	Paid Time	Seat Time
ST	CAR 2046	15:18	WEST 67VB	15:23 15:33	15:33 23:26	67VB WEST	23:26	8h08	5h28

Sign-on	15:18	75 / North / 147 / 20163809				83 / South / 155 / 20164171			
		75th Ave & Lower Buckeye Rd	17:25			Arrowhead Mall North		20:03	
Travel by	CAR	75th Ave & Van Buren St	17:30			83rd Ave & Thunderbird Rd		20:13	
		Desert Sky TC	17:44			83rd Ave & Peoria Ave		20:19	
Car Pull		75th Ave & Camelback Rd	17:55			83rd Ave & Glendale Ave		20:30	
West Transit Facility	15:23					83rd Ave & Camelback Rd		20:35	
67th Ave & Van Buren St	15:33	Deadhead				Desert Sky TC		20:41	
		75th Ave & Camelback Rd	17:55			83rd Ave & Van Buren St		20:50	
Block	2046	83rd Ave & Camelback Rd	17:58						
						Deadhead			
67 / South / 254 / 20163532		83 / South / 155 / 20163824				83rd Ave & Van Buren St		20:50	
67th Ave & Van Buren St	15:33	83rd Ave & Camelback Rd	18:05			83rd Ave & Van Buren St		20:54	
Sierra Linda HS-South	15:42	Desert Sky TC	18:11						
		83rd Ave & Van Buren St	18:21			83 / North / 153 / 20163845			
Deadhead		Deadhead				83rd Ave & Van Buren St		21:04	
Sierra Linda HS-South	15:42	83rd Ave & Van Buren St	18:21			Desert Sky TC		21:12	
75th Ave & Lower Buckeye Rd	15:47	83rd Ave & Van Buren St	18:25			83rd Ave & Camelback Rd		21:20	
75 / North / 147 / 20164157		83 / North / 183 / 20164155				Deadhead			
75th Ave & Lower Buckeye Rd	15:55	83rd Ave & Van Buren St	18:32			83rd Ave & Camelback Rd		21:20	
75th Ave & Van Buren St	16:00	Desert Sky TC	18:42			75th Ave & Camelback Rd		21:23	
Desert Sky TC	16:14	83rd Ave & Camelback Rd	18:51						
75th Ave & Camelback Rd	16:25	83rd Ave & Glendale Ave	18:56			75 / South / 149 / 20164287			
		83rd Ave & Peoria Ave	19:08			75th Ave & Camelback Rd		22:00	
Deadhead		83rd Ave & Thunderbird Rd	19:14			Desert Sky TC		22:08	
75th Ave & Camelback Rd	16:25	Arrowhead Mall North	19:25			75th Ave & Van Buren St		22:17	
67th Ave & Camelback Rd	16:28					75th Ave & Lower Buckeye Rd		22:21	
67 / South / 254 / 20164152		Deadhead				Deadhead			
67th Ave & Camelback Rd	16:45	Arrowhead Mall North	19:25			75th Ave & Lower Buckeye Rd		22:46	
67th Ave & Thomas Rd	16:53	Arrowhead Mall Layover	19:27			Sierra Linda HS-North		22:51	
67th Ave & Van Buren St	17:01								
Sierra Linda HS-South	17:10	Deadhead				67 / North / 250 / 20164280			
		Arrowhead Mall Layover	20:01			Sierra Linda HS-North		22:51	
Deadhead		Arrowhead Mall North	20:03			67th Ave & Van Buren St		22:57	
Sierra Linda HS-South	17:10					67th Ave & Thomas Rd		23:04	
75th Ave & Lower Buckeye Rd	17:15					67th Ave & Camelback Rd		23:10	
						Pull In			
						67th Ave & Camelback Rd		23:10	
						West Transit Facility		23:26	

Phoenix West

Effective: 01/22/2024

2134
Saturday

Duty Type	Block	Report Time	Start Place	Start Time	End Time	End Place	Clear Time	Paid Time	Seat Time
ST	CAR 2008	15:42	WEST 43LB	15:47 16:07	16:07 23:42	43LB WEST	23:42	8h00	6h21

Sign-on	15:42	Deadhead	43 / North / 182 / 20163982
Travel by	CAR	43rd Ave & Lower Buckeye Rd	18:29
Car Pull		43 / North / 182 / 20163579	43rd Ave & Lower Buckeye Rd 21:20
West Transit Facility.....	15:47	43rd Ave & Lower Buckeye Rd	18:35
43rd Ave & Lower Buckeye Rd	16:07	43rd Ave & Van Buren St.....	21:26
Block	2008	43rd Ave & Thomas Rd.....	21:33
		43rd Ave & Camelback Rd.....	21:40
		43rd Ave & Glendale Ave.....	21:46
		43rd Ave & Dunlap Ave.....	21:52
		43rd Ave & Thunderbird Rd.....	21:59
		43rd Ave & Union Hills Dr.....	22:07
		43rd Ave & Van Buren St.....	16:22
		43rd Ave & Lower Buckeye Rd	16:16
		43rd Ave & Union Hills Dr.....	19:39
		43rd Ave & Thomas Rd.....	16:32
		43rd Ave & Camelback Rd.....	16:40
		43rd Ave & Glendale Ave.....	16:47
		43rd Ave & Dunlap Ave.....	16:54
		43rd Ave & Thunderbird Rd.....	17:02
		43rd Ave & Union Hills Dr.....	17:11
		43rd Ave & Van Buren St.....	20:50
		43rd Ave & Lower Buckeye Rd	20:58
		43rd Ave & Thomas Rd.....	20:42
		43rd Ave & Camelback Rd.....	20:34
		43rd Ave & Glendale Ave.....	22:58
		43rd Ave & Dunlap Ave.....	22:52
		43rd Ave & Thunderbird Rd.....	22:44
		43rd Ave & Van Buren St.....	23:20
		43rd Ave & Union Hills Dr.....	17:32
		43rd Ave & Lower Buckeye Rd	23:27
		43rd Ave & Thomas Rd.....	18:13
		43rd Ave & Camelback Rd.....	18:04
		43rd Ave & Glendale Ave.....	17:57
		43rd Ave & Dunlap Ave.....	17:50
		43rd Ave & Thunderbird Rd.....	17:40
		43rd Ave & Van Buren St.....	18:21
		43rd Ave & Lower Buckeye Rd	18:29
		43rd Ave & Thomas Rd.....	18:13
		43rd Ave & Camelback Rd.....	20:58
		43rd Ave & Lower Buckeye Rd	21:04
		43rd Ave & Van Buren St.....	20:50
		43rd Ave & Dunlap Ave.....	23:42
		43rd Ave & Lower Buckeye Rd	23:27
		West Transit Facility.....	23:42

Phoenix West

Effective: 01/22/2024

2135
Saturday

Duty Type	Block	Report Time	Start Place	Start Time	End Time	End Place	Clear Time	Paid Time	Seat Time
ST	CAR 2066	15:49	WEST 107I-E	15:54 16:12	16:12 23:36	107I-E WEST	23:36	7h47	6h20

Sign-on	15:49	Deadhead	41 / East / 267 / 20164056
Travel by	CAR	Pima Rd & Chaparral Rd.....	18:54
Car Pull		Granite Reef Rd & Indian Sch	18:58
West Transit Facility.....	15:54	41 / West / 724 / 20163719	83rd Ave & Indian School Rd..... 21:00
107th Ave & Indian School Rd.	16:12	Granite Reef Rd & Indian Sch	59th Ave & Indian School Rd..... 21:10
Block	2066	Scottsdale Rd & Indian School	43rd Ave & Indian School Rd..... 21:17
		56th St & Indian School Rd.....	19th Ave & Indian School Rd..... 21:29
		44th St & Indian School Rd.....	Central Ave & Indian School Rd. 21:33
		32nd St & Indian School Rd.....	Central Ave & Indian School Rd. 21:37
		24th St & Indian School Rd.....	24th St & Indian School Rd..... 21:47
		24th St & Indian School Rd.....	32nd St & Indian School Rd..... 21:50
		Central Ave & Indian School Rd.	44th St & Indian School Rd..... 21:54
		Central Ave & Indian School Rd.	56th St & Indian School Rd.....
		19th Ave & Indian School Rd.....	21:57
		43rd Ave & Indian School Rd.....	Deadhead
		59th Ave & Indian School Rd.....	56th St & Indian School Rd.....
		Central Ave & Indian School Rd.	21:57
		Central Ave & Indian School Rd.	22:05
		24th St & Indian School Rd.....	41 / West / 724 / 20164258
		32nd St & Indian School Rd.....	56th St & Indian School Rd.....
		44th St & Indian School Rd.....	22:16
		56th St & Indian School Rd.....	44th St & Indian School Rd..... 22:19
		Scottsdale Rd & Indian School	32nd St & Indian School Rd..... 22:23
		Granite Reef Rd & Indian Sch	24th St & Indian School Rd..... 22:27
		18:20	Central Ave & Indian School Rd. 22:35
		18:24	Central Ave & Indian School Rd. 22:39
		Deadhead	19th Ave & Indian School Rd..... 22:44
		Granite Reef Rd & Indian Sch	43rd Ave & Indian School Rd..... 22:55
		18:20	59th Ave & Indian School Rd..... 23:02
		Pima Rd & Chaparral Rd.....	83rd Ave & Indian School Rd..... 23:11
		18:24	107th Ave & Indian School Rd.
			23:21
			Pull In
			107th Ave & Indian School Rd.
			23:21
			West Transit Facility.....
			23:36

Phoenix West

Effective: 01/22/2024

2136
Saturday

Duty Type	Block	Report Time	Start Place	Start Time	End Time	End Place	Clear Time	Paid Time	Seat Time
ST	CAR 2005	16:02	WEST 83VB	16:07 16:15	16:15 24:07	83VB WEST	24:07	8h05	6h39

Sign-on	16:02	Deadhead				Deadhead			
		83rd Ave & Van Buren St.....		19:11		83rd Ave & Van Buren St.....		22:11	
Travel by	CAR	83rd Ave & Van Buren St.....		19:15		83rd Ave & Van Buren St.....		22:15	
Car Pull		3 / East / 181 / 20163947				3 / East / 181 / 20164233			
West Transit Facility.....	16:07	83rd Ave & Van Buren St.....		19:25		83rd Ave & Van Buren St.....		22:25	
83rd Ave & Van Buren St.....	16:15	67th Ave & Van Buren St.....		19:30		67th Ave & Van Buren St.....		22:30	
		51st Ave & Van Buren St.....		19:39		51st Ave & Van Buren St.....		22:39	
Block	2005	35th Ave & Van Buren St.....		19:48		35th Ave & Van Buren St.....		22:48	
		19th Ave & Van Buren St.....		19:56		19th Ave & Van Buren St.....		22:56	
		Central Ave & Van Buren St.....		20:05		Central Ave & Van Buren St.....		23:05	
		24th St & Van Buren St.....		20:16		24th St & Van Buren St.....		23:16	
		44th St & Van Buren St.....		20:25		44th St & Van Buren St.....		23:25	
		Galvin Pkwy & Van Buren St...		20:32		Galvin Pkwy & Van Buren St...		23:32	
		Deadhead				Pull In			
		Galvin Pkwy & Van Buren St...		20:32		Galvin Pkwy & Van Buren St...		23:32	
		Galvin Pkwy & Van Buren St...		20:38		West Transit Facility.....		24:07	
		3 / West / 104 / 20163967							
		Galvin Pkwy & Van Buren St...		21:04					
		44th St & Van Buren St.....		21:10					
		24th St & Van Buren St.....		21:18					
		2nd Ave & Van Buren St.....		21:30					
		19th Ave & Van Buren St.....		21:38					
		35th Ave & Van Buren St.....		21:47					
		51st Ave & Van Buren St.....		21:56					
		67th Ave & Van Buren St.....		22:03					
		83rd Ave & Van Buren St.....		22:11					
		3 / West / 104 / 20163916							
Phoenix Zoo.....	18:01								
Galvin Pkwy & Van Buren St.....	18:04								
44th St & Van Buren St.....	18:10								
24th St & Van Buren St.....	18:18								
2nd Ave & Van Buren St.....	18:30								
19th Ave & Van Buren St.....	18:38								
35th Ave & Van Buren St.....	18:47								
51st Ave & Van Buren St.....	18:56								
67th Ave & Van Buren St.....	19:03								
83rd Ave & Van Buren St.....	19:11								

Phoenix West

Effective: 01/22/2024

2137
Saturday

Duty Type	Block	Report Time	Start Place	Start Time	End Time	End Place	Clear Time	Paid Time	Seat Time
ST	CAR 2006	16:19	WEST 107I-E	16:24 16:42	16:42 24:05	107I-E WEST	24:05	7h46	6h19

Sign-on	16:19	Deadhead				41 / East / 267 / 20164055			
		Pima Rd & Chaparral Rd.....		19:24		107th Ave & Indian School Rd.		21:22	
Travel by	CAR	Granite Reef Rd & Indian Sch		19:28		83rd Ave & Indian School Rd.....		21:30	
						59th Ave & Indian School Rd.....		21:40	
Car Pull		41 / West / 724 / 20163707				43rd Ave & Indian School Rd.....		21:47	
West Transit Facility.....	16:24	Granite Reef Rd & Indian Sch		19:28		19th Ave & Indian School Rd.....		21:59	
107th Ave & Indian School Rd.	16:42	Scottsdale Rd & Indian School		19:33		Central Ave & Indian School Rd.		22:03	
		56th St & Indian School Rd.....		19:40		Central Ave & Indian School Rd.		22:07	
Block	2006	44th St & Indian School Rd.....		19:44		24th St & Indian School Rd.....		22:17	
		32nd St & Indian School Rd.....		19:49		32nd St & Indian School Rd.....		22:20	
41 / East / 172 / 20163686		24th St & Indian School Rd.....		19:54		44th St & Indian School Rd.....		22:24	
107th Ave & Indian School Rd.	17:11	Central Ave & Indian School Rd.		20:05		56th St & Indian School Rd.....		22:27	
83rd Ave & Indian School Rd.....	17:20	Central Ave & Indian School Rd.		20:09					
59th Ave & Indian School Rd.....	17:31	19th Ave & Indian School Rd.....		20:16		Deadhead			
43rd Ave & Indian School Rd.....	17:40	43rd Ave & Indian School Rd.....		20:32		56th St & Indian School Rd.....		22:27	
19th Ave & Indian School Rd.....	17:54	59th Ave & Indian School Rd.....		20:41		56th St & Indian School Rd.....		22:35	
Central Ave & Indian School Rd.	18:03	83rd Ave & Indian School Rd.....		20:53					
Central Ave & Indian School Rd.	18:07	107th Ave & Indian School Rd.		21:04		41 / West / 724 / 20164257			
24th St & Indian School Rd.....	18:21					56th St & Indian School Rd.....		22:46	
32nd St & Indian School Rd.....	18:25	Deadhead				44th St & Indian School Rd.....		22:49	
44th St & Indian School Rd.....	18:32	107th Ave & Indian School Rd.		21:04		32nd St & Indian School Rd.....		22:53	
56th St & Indian School Rd.....	18:35	107th Ave & Indian School Rd.		21:10		24th St & Indian School Rd.....		22:57	
Scottsdale Rd & Indian School	18:42					Central Ave & Indian School Rd.		23:05	
Granite Reef Rd & Indian Sch	18:50					Central Ave & Indian School Rd.		23:09	
						19th Ave & Indian School Rd.....		23:14	
Deadhead						43rd Ave & Indian School Rd.....		23:25	
Granite Reef Rd & Indian Sch	18:50					59th Ave & Indian School Rd.....		23:31	
Pima Rd & Chaparral Rd.....	18:54					83rd Ave & Indian School Rd.....		23:40	
						107th Ave & Indian School Rd.		23:50	
						Pull In			
						107th Ave & Indian School Rd.		23:50	
						West Transit Facility.....		24:05	

Phoenix West

Effective: 01/22/2024

2138
Saturday

Duty Type	Block	Report Time	Start Place	Start Time	End Time	End Place	Clear Time	Paid Time	Seat Time
ST	CAR 2067	16:41	WEST 94TH	16:46 17:00	17:00 24:05	94TH WEST	24:05	7h24	5h57

Sign-on	16:41	29 / West / 199 / 20163899	29 / East / 257 / 20164058
		Pima Park.....	19:28
Travel by	CAR	Scottsdale Rd & Thomas Rd.....	19:33
		56th St & Thomas Rd.....	19:39
Car Pull		44th St & Thomas Rd.....	19:46
West Transit Facility.....	16:46	24th St & Thomas Rd.....	19:58
94th Av Layover.....	17:00	Central Ave & Thomas Rd.....	20:10
		19th Ave & Thomas Rd.....	20:16
Block	2067	35th Ave & Thomas Rd.....	20:24
		51st Ave & Thomas Rd.....	20:30
Deadhead		67th Ave & Thomas Rd.....	20:36
94th Av Layover.....	17:30	Desert Sky TC.....	20:44
93rd Ave & Thomas Rd.....	17:31	Desert Sky TC.....	20:47
		93rd Ave & Thomas Rd.....	20:52
		Deadhead	
29 / East / 31 / 20163872		93rd Ave & Thomas Rd.....	20:52
93rd Ave & Thomas Rd.....	17:31	94th Av Layover.....	20:53
Thomas Rd at Desert Sky TC....	17:37	Deadhead	
67th Ave & Thomas Rd.....	17:44	93rd Ave & Thomas Rd.....	20:52
51st Ave & Thomas Rd.....	17:54	94th Av Layover.....	20:53
35th Ave & Thomas Rd.....	18:03	Deadhead	
19th Ave & Thomas Rd.....	18:12	94th Av Layover.....	21:08
Central Ave & Thomas Rd.....	18:20	93rd Ave & Thomas Rd.....	21:09
24th St & Thomas Rd.....	18:33	Deadhead	
44th St & Thomas Rd.....	18:45	29 / West / 199 / 20164248	
56th St & Thomas Rd.....	18:52	93rd Ave & Thomas Rd.....	22:39
Scottsdale Rd & Thomas Rd.....	18:58	44th St & Thomas Rd.....	22:46
Pima Park.....	19:05	24th St & Thomas Rd.....	22:58
		Central Ave & Thomas Rd.....	23:10
		19th Ave & Thomas Rd.....	23:16
		35th Ave & Thomas Rd.....	23:24
		51st Ave & Thomas Rd.....	23:30
		67th Ave & Thomas Rd.....	23:36
		Desert Sky TC.....	23:44
		Desert Sky TC.....	23:47
		93rd Ave & Thomas Rd.....	23:52
		Pull In	
		93rd Ave & Thomas Rd.....	23:52
		West Transit Facility.....	24:05

Phoenix West

Effective: 01/22/2024

2139
Saturday

Duty Type	Block	Report Time	Start Place	Start Time	End Time	End Place	Clear Time	Paid Time	Seat Time
ST	CAR 2028	16:42	WEST 43LB	16:47 17:07	17:07 23:42	43LB WEST	23:42	7h00	5h38

Sign-on	16:42	43 / South / 207 / 20164006	43 / South / 207 / 20163599
		43rd Ave & Union Hills Dr.....	43rd Ave & Union Hills Dr.....
Travel by	CAR	43rd Ave & Thunderbird Rd.....	43rd Ave & Thunderbird Rd.....
		43rd Ave & Dunlap Ave.....	43rd Ave & Dunlap Ave.....
Car Pull		43rd Ave & Glendale Ave.....	43rd Ave & Glendale Ave.....
West Transit Facility.....	16:47	43rd Ave & Camelback Rd.....	43rd Ave & Camelback Rd.....
43rd Ave & Lower Buckeye Rd	17:07	43rd Ave & Thomas Rd.....	43rd Ave & Thomas Rd.....
		43rd Ave & Van Buren St.....	43rd Ave & Van Buren St.....
Block	2028	43rd Ave & Lower Buckeye Rd	43rd Ave & Lower Buckeye Rd
		-----	-----
43 / North / 182 / 20163996		Deadhead	Deadhead
43rd Ave & Lower Buckeye Rd	17:16	43rd Ave & Lower Buckeye Rd	43rd Ave & Lower Buckeye Rd
43rd Ave & Van Buren St.....	17:22	43rd Ave & Lower Buckeye Rd	43rd Ave & Lower Buckeye Rd
43rd Ave & Thomas Rd.....	17:32		
43rd Ave & Camelback Rd.....	17:40	43 / North / 182 / 20163580	43 / North / 182 / 20164260
43rd Ave & Glendale Ave.....	17:47	43rd Ave & Lower Buckeye Rd	43rd Ave & Lower Buckeye Rd
43rd Ave & Dunlap Ave.....	17:54	43rd Ave & Van Buren St.....	43rd Ave & Van Buren St.....
43rd Ave & Thunderbird Rd.....	18:02	43rd Ave & Thomas Rd.....	43rd Ave & Thomas Rd.....
43rd Ave & Union Hills Dr.....	18:11	43rd Ave & Camelback Rd.....	43rd Ave & Camelback Rd.....
		43rd Ave & Glendale Ave.....	43rd Ave & Glendale Ave.....
Deadhead		43rd Ave & Dunlap Ave.....	43rd Ave & Dunlap Ave.....
43rd Ave & Union Hills Dr.....	18:11	43rd Ave & Thunderbird Rd.....	43rd Ave & Thunderbird Rd.....
43rd Ave & Union Hills Dr.....	18:18	43rd Ave & Union Hills Dr.....	43rd Ave & Union Hills Dr.....
		-----	-----
		Deadhead	Pull In
		43rd Ave & Union Hills Dr.....	43rd Ave & Union Hills Dr.....
		43rd Ave & Union Hills Dr.....	West Transit Facility.....

Phoenix West

Effective: 01/22/2024

2140
Saturday

Duty Type	Block	Report Time	Start Place	Start Time	End Time	End Place	Clear Time	Paid Time	Seat Time
ST	CAR 2009	16:49	WEST 107I-E	16:54 17:12	17:12 24:34	107I-E WEST	24:34	7h45	6h11

Sign-on	16:49	Deadhead	41 / East / 267 / 20164025
Travel by	CAR	Pima Rd & Chaparral Rd.....	19:54 107th Ave & Indian School Rd. 21:52
Car Pull		Granite Reef Rd & Indian Sch	19:58 83rd Ave & Indian School Rd..... 22:00
West Transit Facility.....	16:54	41 / West / 724 / 20163720	59th Ave & Indian School Rd..... 22:10
107th Ave & Indian School Rd.	17:12	Granite Reef Rd & Indian Sch	19:58 43rd Ave & Indian School Rd..... 22:17
Block	2009	Scottsdale Rd & Indian School	19th Ave & Indian School Rd..... 22:29
		56th St & Indian School Rd.....	Central Ave & Indian School Rd. 22:33
		44th St & Indian School Rd.....	Central Ave & Indian School Rd. 22:37
		32nd St & Indian School Rd.....	24th St & Indian School Rd..... 22:47
		24th St & Indian School Rd.....	32nd St & Indian School Rd..... 22:50
		Central Ave & Indian School Rd.	44th St & Indian School Rd..... 22:54
		Central Ave & Indian School Rd.	56th St & Indian School Rd..... 22:57
		19th Ave & Indian School Rd.....	
		43rd Ave & Indian School Rd.....	Deadhead
		59th Ave & Indian School Rd.....	56th St & Indian School Rd..... 22:57
		83rd Ave & Indian School Rd.....	56th St & Indian School Rd..... 23:05
		107th Ave & Indian School Rd.	
		Deadhead	41 / West / 724 / 20164256
		107th Ave & Indian School Rd.	56th St & Indian School Rd..... 23:16
		107th Ave & Indian School Rd.	44th St & Indian School Rd..... 23:19
			32nd St & Indian School Rd..... 23:23
			24th St & Indian School Rd..... 23:27
			Central Ave & Indian School Rd. 23:35
			Central Ave & Indian School Rd. 23:39
			19th Ave & Indian School Rd..... 23:44
			43rd Ave & Indian School Rd..... 23:55
			59th Ave & Indian School Rd..... 24:01
			83rd Ave & Indian School Rd..... 24:09
			107th Ave & Indian School Rd. 24:19
			Pull In
			107th Ave & Indian School Rd. 24:19
			West Transit Facility..... 24:34

Phoenix West

Effective: 01/22/2024

2141
Saturday

Duty Type	Block	Report Time	Start Place	Start Time	End Time	End Place	Clear Time	Paid Time	Seat Time
ST	CAR 2011	17:28	WEST 51VB	17:33 17:45	17:45 24:23	51VB WEST	24:23	6h55	5h10

Sign-on	17:28	51 / South / 27 / 20164089	51 / South / 27 / 20164266
		ASU West Campus.....	ASU West Campus.....
Travel by	CAR	51st Ave & Olive Ave.....	51st Ave & Olive Ave.....
		51st Ave & Glendale Ave.....	51st Ave & Glendale Ave.....
Car Pull		51st Ave & Camelback Rd.....	51st Ave & Camelback Rd.....
West Transit Facility.....	17:33	51st Ave & Thomas Rd.....	51st Ave & Thomas Rd.....
51st Ave & Van Buren St.....	17:45	51st Ave & Van Buren St.....	51st Ave & Van Buren St.....
		51st Ave & Lower Buckeye Rd...	51st Ave & Lower Buckeye Rd...
Block	2011	51st Ave & Baseline Rd.....	51st Ave & Baseline Rd.....
51 / South / 28 / 20163624		Deadhead	Pull In
51st Ave & Van Buren St.....	17:45	51st Ave & Baseline Rd.....	51st Ave & Baseline Rd.....
51st Ave & Lower Buckeye Rd...	17:51	51st Ave & Baseline Rd.....	West Transit Facility.....
51st Ave & Baseline Rd.....	17:59		
Vee Quiva Casino.....	18:11	51 / North / 206 / 20164084	
Komatke Health Center.....	18:23	51st Ave & Baseline Rd.....	
51st Ave & Pecos Rd.....	18:27	51st Ave & Lower Buckeye Rd...	
		51st Ave & Van Buren St.....	
51 / North / 206 / 20163611		51st Ave & Thomas Rd.....	
51st Ave & Pecos Rd.....	18:51	51st Ave & Camelback Rd.....	
Vee Quiva Casino.....	19:01	51st Ave & Glendale Ave.....	
51st Ave & Baseline Rd.....	19:13	51st Ave & Olive Ave.....	
51st Ave & Lower Buckeye Rd...	19:20	ASU West Campus.....	
51st Ave & Van Buren St.....	19:27		
51st Ave & Thomas Rd.....	19:35		
51st Ave & Camelback Rd.....	19:43		
51st Ave & Glendale Ave.....	19:48		
51st Ave & Olive Ave.....	19:55		
ASU West Campus.....	20:06		

Phoenix West

Effective: 01/22/2024

2142
Saturday

Duty Type	Block	Report Time	Start Place	Start Time	End Time	End Place	Clear Time	Paid Time	Seat Time
ST	CAR 2007	18:02	WEST 83VB	18:07 18:15	18:15 24:16	83VB WEST	24:16	6h14	5h00

Sign-on	18:02	Deadhead	Deadhead
Travel by	CAR	Phoenix Zoo..... 19:36	Galvin Pkwy & Van Buren St... 22:32
Car Pull		Galvin Pkwy & Van Buren St... 19:41	Galvin Pkwy & Van Buren St... 22:38
West Transit Facility..... 18:07		3 / West / 104 / 20163964	3 / West / 104 / 20164234
83rd Ave & Van Buren St..... 18:15		Galvin Pkwy & Van Buren St... 20:04	Galvin Pkwy & Van Buren St... 23:04
Block	2007	44th St & Van Buren St..... 20:10	44th St & Van Buren St..... 23:10
		24th St & Van Buren St..... 20:18	24th St & Van Buren St..... 23:18
		2nd Ave & Van Buren St..... 20:30	2nd Ave & Van Buren St..... 23:30
		19th Ave & Van Buren St..... 20:38	19th Ave & Van Buren St..... 23:38
3 / East / 86 / 20163946		35th Ave & Van Buren St..... 20:47	35th Ave & Van Buren St..... 23:47
83rd Ave & Van Buren St..... 18:25		51st Ave & Van Buren St..... 20:56	51st Ave & Van Buren St..... 23:56
67th Ave & Van Buren St..... 18:30		67th Ave & Van Buren St..... 21:03	67th Ave & Van Buren St..... 24:03
51st Ave & Van Buren St..... 18:39		83rd Ave & Van Buren St..... 21:11	83rd Ave & Van Buren St..... 24:11
35th Ave & Van Buren St..... 18:48		Deadhead	Pull In
19th Ave & Van Buren St..... 18:56		83rd Ave & Van Buren St..... 21:11	83rd Ave & Van Buren St..... 24:11
Central Ave & Van Buren St..... 19:05		83rd Ave & Van Buren St..... 21:15	West Transit Facility..... 24:16
24th St & Van Buren St..... 19:16		3 / East / 181 / 20163971	
44th St & Van Buren St..... 19:25		83rd Ave & Van Buren St..... 21:25	
Galvin Pkwy & Van Buren St..... 19:32		67th Ave & Van Buren St..... 21:30	
Phoenix Zoo..... 19:36		51st Ave & Van Buren St..... 21:39	
		35th Ave & Van Buren St..... 21:48	
		19th Ave & Van Buren St..... 21:56	
		Central Ave & Van Buren St..... 22:05	
		24th St & Van Buren St..... 22:16	
		44th St & Van Buren St..... 22:25	
		Galvin Pkwy & Van Buren St... 22:32	

Phoenix West

Effective: 01/22/2024

2143
Saturday

Duty Type	Block	Report Time	Start Place	Start Time	End Time	End Place	Clear Time	Paid Time	Seat Time
TRP	CAR 2036	18:40	WEST 43LB	18:45 19:05	19:05 24:12	43LB WEST	24:12	5h32	4h15

Sign-on	18:40	43 / South / 207 / 20164011	Deadhead
		43rd Ave & Union Hills Dr.....	20:35
Travel by	CAR	43rd Ave & Thunderbird Rd.....	20:42
		43rd Ave & Dunlap Ave.....	20:51
Car Pull		43rd Ave & Glendale Ave.....	20:57
West Transit Facility.....	18:45	43rd Ave & Camelback Rd.....	21:04
43rd Ave & Lower Buckeye Rd	19:05	43rd Ave & Thomas Rd.....	21:12
		43rd Ave & Van Buren St.....	21:20
Block	2036	43rd Ave & Lower Buckeye Rd	21:28
		43rd Ave & Glendale Ave.....	23:28
		43rd Ave & Camelback Rd.....	23:34
		43rd Ave & Thomas Rd.....	23:42
		43rd Ave & Van Buren St.....	23:50
		43rd Ave & Lower Buckeye Rd	23:57
		43 / North / 182 / 20163984	Deadhead
43rd Ave & Lower Buckeye Rd	19:18	43rd Ave & Lower Buckeye Rd	21:28
43rd Ave & Van Buren St.....	19:24	43rd Ave & Lower Buckeye Rd	21:34
43rd Ave & Thomas Rd.....	19:32		
43rd Ave & Camelback Rd.....	19:40	43 / North / 182 / 20163966	Pull In
43rd Ave & Glendale Ave.....	19:47	43rd Ave & Lower Buckeye Rd	21:50
43rd Ave & Dunlap Ave.....	19:53	43rd Ave & Van Buren St.....	21:56
43rd Ave & Thunderbird Rd.....	20:00	43rd Ave & Thomas Rd.....	22:03
43rd Ave & Union Hills Dr.....	20:09	43rd Ave & Camelback Rd.....	22:10
		43rd Ave & Glendale Ave.....	22:16
Deadhead		43rd Ave & Dunlap Ave.....	22:22
43rd Ave & Union Hills Dr.....	20:09	43rd Ave & Thunderbird Rd.....	22:29
43rd Ave & Union Hills Dr.....	20:16	43rd Ave & Union Hills Dr.....	22:37

Phoenix West

Effective: 01/22/2024

2001
Sunday

Duty Type	Block	Report Time	Start Place	Start Time	End Time	End Place	Clear Time	Paid Time	Seat Time
ST	2001	3:47	WEST 107I-E	3:52	9:32	107I-E	9:49	6h02	4h56

Sign-on	3:47	29 / East / 31 / 20165478							
		93rd Ave & Thomas Rd.....	6:11						
Block	2001	Thomas Rd at Desert Sky TC....	6:16						
		67th Ave & Thomas Rd.....	6:22						
Pull Out		51st Ave & Thomas Rd.....	6:28						
West Transit Facility.....	4:07	35th Ave & Thomas Rd.....	6:35						
56th St & Thomas Rd.....	4:42	19th Ave & Thomas Rd.....	6:43						
		Central Ave & Thomas Rd.....	6:50						
29 / West / 199 / 20166000		24th St & Thomas Rd.....	7:01						
56th St & Thomas Rd.....	4:42	44th St & Thomas Rd.....	7:11						
44th St & Thomas Rd.....	4:48	56th St & Thomas Rd.....	7:17						
24th St & Thomas Rd.....	4:58	Scottsdale Rd & Thomas Rd....	7:23						
Central Ave & Thomas Rd.....	5:10	Pima Park.....	7:30						
19th Ave & Thomas Rd.....	5:16								
35th Ave & Thomas Rd.....	5:24	29 / West / 199 / 20165511							
51st Ave & Thomas Rd.....	5:30	Pima Park.....	7:59						
67th Ave & Thomas Rd.....	5:37	Scottsdale Rd & Thomas Rd....	8:04						
Desert Sky TC.....	5:44	56th St & Thomas Rd.....	8:10						
Desert Sky TC.....	5:47	44th St & Thomas Rd.....	8:16						
93rd Ave & Thomas Rd.....	5:52	24th St & Thomas Rd.....	8:28						
		Central Ave & Thomas Rd.....	8:40						
Deadhead		19th Ave & Thomas Rd.....	8:46						
93rd Ave & Thomas Rd.....	5:52	35th Ave & Thomas Rd.....	8:54						
94th Av Layover.....	5:53	51st Ave & Thomas Rd.....	9:00						
		67th Ave & Thomas Rd.....	9:07						
Deadhead		Desert Sky TC.....	9:16						
94th Av Layover.....	6:10	Desert Sky TC.....	9:19						
93rd Ave & Thomas Rd.....	6:11	93rd Ave & Thomas Rd.....	9:24						

Deadhead									
		93rd Ave & Thomas Rd.....	9:24						
		107th Ave & Indian School Rd.	9:32						
Travel by									CAR
Car Pull									
		107th Ave & Indian School Rd.	9:32						
		West Transit Facility.....	9:49						
		41 / East / 172 / 20165540							
		107th Ave & Indian School Rd.	9:49						
		83rd Ave & Indian School Rd..	9:57						
		59th Ave & Indian School Rd...	10:08						
		43rd Ave & Indian School Rd..	10:17						
		19th Ave & Indian School Rd...	10:31						
		Central Ave & Indian School R	10:40						
		Central Ave & Indian School R	10:44						
		24th St & Indian School Rd....	10:58						
		32nd St & Indian School Rd....	11:02						
		44th St & Indian School Rd....	11:09						
		56th St & Indian School Rd....	11:12						
		Scottsdale Rd & Indian Schoo	11:19						
		Granite Reef Rd & Indian Sch	11:27						

Phoenix West

Effective: 01/22/2024

2002
Sunday

Duty Type	Block	Report Time	Start Place	Start Time	End Time	End Place	Clear Time	Paid Time	Seat Time
ST	2002	3:49	WEST 94TH	3:54	14:01	94TH	14:17	10h28	8h46

Sign-on	3:49	Deadhead	29 / West / 199 / 20165521
		Granite Reef Rd & Indian Sch	7:55 Pima Park..... 12:23
Block	2002	Pima Rd & Chaparral Rd.....	7:59 Scottsdale Rd & Thomas Rd..... 12:28
			56th St & Thomas Rd..... 12:34
Pull Out		Deadhead	44th St & Thomas Rd..... 12:42
West Transit Facility.....	4:09	Pima Rd & Chaparral Rd.....	8:22 24th St & Thomas Rd..... 12:56
56th St & Indian School Rd.....	4:44	Granite Reef Rd & Indian Sch	8:26 Central Ave & Thomas Rd..... 13:10
			19th Ave & Thomas Rd..... 13:17
			35th Ave & Thomas Rd..... 13:27
41 / West / 724 / 20165998		41 / West / 724 / 20165572	
56th St & Indian School Rd.....	4:44	Granite Reef Rd & Indian Sch	8:26 51st Ave & Thomas Rd..... 13:34
44th St & Indian School Rd.....	4:47	Scottsdale Rd & Indian School	8:31 67th Ave & Thomas Rd..... 13:41
32nd St & Indian School Rd.....	4:51	56th St & Indian School Rd.....	8:38 Desert Sky TC..... 13:51
24th St & Indian School Rd.....	4:55	44th St & Indian School Rd.....	8:42 Desert Sky TC..... 13:54
Central Ave & Indian School Rd.	5:05	32nd St & Indian School Rd.....	8:48 93rd Ave & Thomas Rd..... 14:00
Central Ave & Indian School Rd.	5:09	24th St & Indian School Rd.....	8:53
19th Ave & Indian School Rd.....	5:15	Central Ave & Indian School Rd.	9:05
43rd Ave & Indian School Rd.....	5:28	Central Ave & Indian School Rd.	9:09 93rd Ave & Thomas Rd..... 14:00
59th Ave & Indian School Rd.....	5:35	19th Ave & Indian School Rd.....	9:17 94th Av Layover..... 14:01
83rd Ave & Indian School Rd.....	5:45	43rd Ave & Indian School Rd.....	9:33
107th Ave & Indian School Rd.	5:56	59th Ave & Indian School Rd.....	9:42
		83rd Ave & Indian School Rd.....	9:54
		107th Ave & Indian School Rd.	10:06
Deadhead		Deadhead	
107th Ave & Indian School Rd.	5:56	107th Ave & Indian School Rd.	10:06
107th Ave & Indian School Rd.	6:02	93rd Ave & Thomas Rd.....	10:14
41 / East / 172 / 20165549		29 / East / 31 / 20165497	
107th Ave & Indian School Rd.	6:25	93rd Ave & Thomas Rd.....	10:35
83rd Ave & Indian School Rd.....	6:33	Thomas Rd at Desert Sky TC....	10:41
59th Ave & Indian School Rd.....	6:42	67th Ave & Thomas Rd.....	10:48
43rd Ave & Indian School Rd.....	6:51	51st Ave & Thomas Rd.....	10:55
19th Ave & Indian School Rd.....	7:03	35th Ave & Thomas Rd.....	11:02
Central Ave & Indian School Rd.	7:10	19th Ave & Thomas Rd.....	11:12
Central Ave & Indian School Rd.	7:14	Central Ave & Thomas Rd.....	11:20
24th St & Indian School Rd.....	7:26	24th St & Thomas Rd.....	11:33
32nd St & Indian School Rd.....	7:30	44th St & Thomas Rd.....	11:48
44th St & Indian School Rd.....	7:37	56th St & Thomas Rd.....	11:55
56th St & Indian School Rd.....	7:40	Scottsdale Rd & Thomas Rd....	16:01
Scottsdale Rd & Indian School	7:47	Pima Park.....	16:08
Granite Reef Rd & Indian Sch	7:55		

Phoenix West

Effective: 01/22/2024

2003
Sunday

Duty Type	Block	Report Time	Start Place	Start Time	End Time	End Place	Clear Time	Paid Time	Seat Time
ST	2003 CAR	3:50	WEST 94TH	3:55 12:44	12:44 13:00	94TH WEST	13:00	9h10	7h21

Sign-on	3:50	Deadhead			29 / West / 199 / 20165510
		56th St & Thomas Rd.....		6:47	Pima Park.....
Block	2003	Pima Park.....		7:02	Scottsdale Rd & Thomas Rd.....
					56th St & Thomas Rd.....
Pull Out		29 / West / 199 / 20165509			44th St & Thomas Rd.....
West Transit Facility.....	4:10	Pima Park.....		7:29	24th St & Thomas Rd.....
Central Ave & Thomas Rd.....	4:40	Scottsdale Rd & Thomas Rd.....		7:34	Central Ave & Thomas Rd.....
		56th St & Thomas Rd.....		7:40	19th Ave & Thomas Rd.....
29 / West / 199 / 20166001		44th St & Thomas Rd.....		7:46	35th Ave & Thomas Rd.....
Central Ave & Thomas Rd.....	4:40	24th St & Thomas Rd.....		7:58	51st Ave & Thomas Rd.....
19th Ave & Thomas Rd.....	4:46	Central Ave & Thomas Rd.....		8:10	67th Ave & Thomas Rd.....
35th Ave & Thomas Rd.....	4:54	19th Ave & Thomas Rd.....		8:16	Desert Sky TC.....
51st Ave & Thomas Rd.....	5:00	35th Ave & Thomas Rd.....		8:24	Desert Sky TC.....
67th Ave & Thomas Rd.....	5:07	51st Ave & Thomas Rd.....		8:30	93rd Ave & Thomas Rd.....
Desert Sky TC.....	5:14	67th Ave & Thomas Rd.....		8:37	
Desert Sky TC.....	5:17	Desert Sky TC.....		8:44	Deadhead
93rd Ave & Thomas Rd.....	5:22	Desert Sky TC.....		8:47	93rd Ave & Thomas Rd.....
		93rd Ave & Thomas Rd.....		8:52	94th Av Layover.....
Deadhead					
93rd Ave & Thomas Rd.....	5:22	Deadhead			Travel by
94th Av Layover.....	5:23	93rd Ave & Thomas Rd.....		8:52	CAR
		94th Av Layover.....		8:53	
Deadhead					Car Pull
94th Av Layover.....	5:40	Deadhead			94th Av Layover.....
93rd Ave & Thomas Rd.....	5:41	94th Av Layover.....		9:05	West Transit Facility.....
		93rd Ave & Thomas Rd.....		9:06	
29 / East / 257 / 20165711					29 / East / 31 / 20165486
93rd Ave & Thomas Rd.....	5:41	29 / East / 31 / 20165477			93rd Ave & Thomas Rd.....
Thomas Rd at Desert Sky TC....	5:46	93rd Ave & Thomas Rd.....		9:06	Thomas Rd at Desert Sky TC..
67th Ave & Thomas Rd.....	5:52	Thomas Rd at Desert Sky TC....		9:12	67th Ave & Thomas Rd.....
51st Ave & Thomas Rd.....	5:58	67th Ave & Thomas Rd.....		9:19	51st Ave & Thomas Rd.....
35th Ave & Thomas Rd.....	6:05	51st Ave & Thomas Rd.....		9:26	35th Ave & Thomas Rd.....
19th Ave & Thomas Rd.....	6:13	35th Ave & Thomas Rd.....		9:33	19th Ave & Thomas Rd.....
Central Ave & Thomas Rd.....	6:20	19th Ave & Thomas Rd.....		9:43	Central Ave & Thomas Rd.....
24th St & Thomas Rd.....	6:31	Central Ave & Thomas Rd.....		9:50	24th St & Thomas Rd.....
44th St & Thomas Rd.....	6:41	24th St & Thomas Rd.....		10:01	44th St & Thomas Rd.....
56th St & Thomas Rd.....	6:47	44th St & Thomas Rd.....		10:14	56th St & Thomas Rd.....
		56th St & Thomas Rd.....		10:21	Scottsdale Rd & Thomas Rd...
		Scottsdale Rd & Thomas Rd.....		10:27	Pima Park.....
		Pima Park.....		10:34	

Phoenix West

Effective: 01/22/2024

2004
Sunday

Duty Type	Block	Report Time	Start Place	Start Time	End Time	End Place	Clear Time	Paid Time	Seat Time
ST	2004 CAR	3:57	WEST 99MC	4:02 14:12	14:12 14:23	99MC WEST	14:23	10h26	8h40

Sign-on	3:57	Deadhead	17 / West / 253 / 20165375
		Pima Rd & McDowell Rd.....	8:00 Pima Rd & McDowell Rd..... 12:32
Block	2004	Pima Rd & McDowell Rd.....	8:07 Scottsdale Rd & McDowell Rd.... 12:39
			52nd St & McDowell Rd..... 12:46
Pull Out		17 / West / 253 / 20165372	44th St & McDowell Rd..... 12:49
West Transit Facility.....	4:17	Pima Rd & McDowell Rd.....	8:32 24th St & McDowell Rd..... 13:01
52nd St & McDowell Rd.....	4:50	Scottsdale Rd & McDowell Rd....	8:39 Central Ave & McDowell Rd..... 13:13
		52nd St & McDowell Rd.....	8:46 19th Ave & McDowell Rd..... 13:21
17 / West / 253 / 20165996		44th St & McDowell Rd.....	8:49 43rd Ave & McDowell Rd..... 13:36
52nd St & McDowell Rd.....	4:50	24th St & McDowell Rd.....	9:01 67th Ave & McDowell Rd..... 13:50
44th St & McDowell Rd.....	4:53	Central Ave & McDowell Rd.....	9:13 83rd Ave & McDowell Rd..... 13:57
24th St & McDowell Rd.....	5:03	19th Ave & McDowell Rd.....	9:21 99th Ave & McDowell Rd..... 14:05
Central Ave & McDowell Rd.....	5:13	43rd Ave & McDowell Rd.....	
19th Ave & McDowell Rd.....	5:19	67th Ave & McDowell Rd.....	9:50 Deadhead
43rd Ave & McDowell Rd.....	5:31	83rd Ave & McDowell Rd.....	99th Ave & McDowell Rd..... 14:05
67th Ave & McDowell Rd.....	5:42	99th Ave & McDowell Rd.....	10:05 99th Ave & McDowell Rd..... 14:12
83rd Ave & McDowell Rd.....	5:49		
99th Ave & McDowell Rd.....	5:57	Deadhead	Travel by CAR
		99th Ave & McDowell Rd.....	10:05 99th Ave & McDowell Rd..... 14:12
Deadhead		99th Ave & McDowell Rd.....	10:12 99th Ave & McDowell Rd..... 14:23
99th Ave & McDowell Rd.....	5:57	17 / East / 132 / 20165330	Car Pull
99th Ave & McDowell Rd.....	6:04	99th Ave & McDowell Rd.....	99th Ave & McDowell Rd..... 14:12
		83rd Ave & McDowell Rd.....	West Transit Facility..... 14:23
17 / East / 132 / 20165326		67th Ave & McDowell Rd.....	
99th Ave & McDowell Rd.....	6:28	43rd Ave & McDowell Rd.....	17 / East / 132 / 20165336
83rd Ave & McDowell Rd.....	6:36	19th Ave & McDowell Rd.....	99th Ave & McDowell Rd..... 14:24
67th Ave & McDowell Rd.....	6:43	Central Ave & McDowell Rd.....	83rd Ave & McDowell Rd..... 14:32
43rd Ave & McDowell Rd.....	6:54	24th St & McDowell Rd.....	67th Ave & McDowell Rd..... 14:39
19th Ave & McDowell Rd.....	7:07	44th St & McDowell Rd.....	43rd Ave & McDowell Rd..... 14:52
Central Ave & McDowell Rd.....	7:17	52nd St & McDowell Rd.....	19th Ave & McDowell Rd..... 15:07
24th St & McDowell Rd.....	7:29	Scottsdale Rd & McDowell Rd....	Central Ave & McDowell Rd.... 15:17
44th St & McDowell Rd.....	7:41	Pima Rd & McDowell Rd.....	24th St & McDowell Rd..... 15:29
52nd St & McDowell Rd.....	7:44		44th St & McDowell Rd..... 15:41
Scottsdale Rd & McDowell Rd....	7:52		52nd St & McDowell Rd..... 15:44
Pima Rd & McDowell Rd.....	8:00	Deadhead	Scottsdale Rd & McDowell Rd 15:52
		Pima Rd & McDowell Rd.....	Pima Rd & McDowell Rd..... 16:00
		Pima Rd & McDowell Rd.....	

Phoenix West

Effective: 01/22/2024

2005
Sunday

Duty Type	Block	Report Time	Start Place	Start Time	End Time	End Place	Clear Time	Paid Time	Seat Time
ST	2005 CAR	3:59	WEST 83VB	4:04 12:05	12:05 12:12	83VB WEST	12:12	8h13	6h43

Sign-on	3:59	3 / West / 104 / 2016592				3 / West / 104 / 2016598			
		Phoenix Zoo.....	7:51	Phoenix Zoo.....	10:51				
Block	2005	Galvin Pkwy & Van Buren St.....	7:54	Galvin Pkwy & Van Buren St.....	10:54				
		44th St & Van Buren St.....	8:00	44th St & Van Buren St.....	11:00				
Pull Out		24th St & Van Buren St.....	8:08	24th St & Van Buren St.....	11:08				
West Transit Facility.....	4:19	2nd Ave & Van Buren St.....	8:20	2nd Ave & Van Buren St.....	11:20				
Galvin Pkwy & Van Buren St...	4:54	19th Ave & Van Buren St.....	8:28	19th Ave & Van Buren St.....	11:28				
		35th Ave & Van Buren St.....	8:37	35th Ave & Van Buren St.....	11:37				
		51st Ave & Van Buren St.....	8:46	51st Ave & Van Buren St.....	11:46				
3 / West / 104 / 20165989		67th Ave & Van Buren St.....	8:53	67th Ave & Van Buren St.....	11:53				
Galvin Pkwy & Van Buren St...	4:54	83rd Ave & Van Buren St.....	9:01	83rd Ave & Van Buren St.....	12:01				
44th St & Van Buren St.....	5:00								
24th St & Van Buren St.....	5:08								
2nd Ave & Van Buren St.....	5:20	Deadhead		Deadhead					
19th Ave & Van Buren St.....	5:28	83rd Ave & Van Buren St.....	9:01	83rd Ave & Van Buren St.....	12:01				
35th Ave & Van Buren St.....	5:37	83rd Ave & Van Buren St.....	9:05	83rd Ave & Van Buren St.....	12:05				
51st Ave & Van Buren St.....	5:46								
67th Ave & Van Buren St.....	5:53	3 / East / 86 / 20165621		Travel by	CAR				
83rd Ave & Van Buren St.....	6:01	83rd Ave & Van Buren St.....	9:25						
		67th Ave & Van Buren St.....	9:30	Car Pull					
Deadhead		51st Ave & Van Buren St.....	9:39	83rd Ave & Van Buren St.....	12:05				
83rd Ave & Van Buren St.....	6:01	35th Ave & Van Buren St.....	9:48	West Transit Facility.....	12:12				
83rd Ave & Van Buren St.....	6:05	19th Ave & Van Buren St.....	9:56						
		Central Ave & Van Buren St.....	10:05	3 / East / 86 / 20165629					
3 / East / 86 / 20165623		24th St & Van Buren St.....	10:16	83rd Ave & Van Buren St.....	12:25				
83rd Ave & Van Buren St.....	6:25	44th St & Van Buren St.....	10:25	67th Ave & Van Buren St.....	12:30				
67th Ave & Van Buren St.....	6:30	Galvin Pkwy & Van Buren St.....	10:32	51st Ave & Van Buren St.....	12:39				
51st Ave & Van Buren St.....	6:39	Phoenix Zoo.....	10:36	35th Ave & Van Buren St.....	12:48				
35th Ave & Van Buren St.....	6:48			19th Ave & Van Buren St.....	12:56				
19th Ave & Van Buren St.....	6:56			Central Ave & Van Buren St...	13:05				
Central Ave & Van Buren St.....	7:05			24th St & Van Buren St.....	13:16				
24th St & Van Buren St.....	7:16			44th St & Van Buren St.....	13:25				
44th St & Van Buren St.....	7:25			Galvin Pkwy & Van Buren St...	13:32				
Galvin Pkwy & Van Buren St.....	7:32			Phoenix Zoo.....	13:36				
Phoenix Zoo.....	7:36								

Phoenix West

Effective: 01/22/2024

2006
Sunday

Duty Type	Block	Report Time	Start Place	Start Time	End Time	End Place	Clear Time	Paid Time	Seat Time
ST	2006	4:10	WEST	4:15	11:05	43LB			
	CAR		43LB	11:05	11:26	WEST	11:26	7h16	5h48

Sign-on	4:10	Deadhead			43 / South / 207 / 20165253
		43rd Ave & Union Hills Dr.....	7:08	43rd Ave & Union Hills Dr.....	10:03
Block	2006	43rd Ave & Union Hills Dr.....	7:15	43rd Ave & Thunderbird Rd.....	10:10
				43rd Ave & Dunlap Ave.....	10:20
Pull Out		43 / South / 207 / 20165726		43rd Ave & Glendale Ave.....	10:26
West Transit Facility.....	4:30	43rd Ave & Union Hills Dr.....	7:35	43rd Ave & Camelback Rd.....	10:34
43rd Ave & Union Hills Dr.....	5:05	43rd Ave & Thunderbird Rd.....	7:42	43rd Ave & Thomas Rd.....	10:43
		43rd Ave & Dunlap Ave.....	7:51	43rd Ave & Van Buren St.....	10:51
43 / South / 207 / 20166006		43rd Ave & Glendale Ave.....	7:57	43rd Ave & Lower Buckeye Rd	10:59
43rd Ave & Union Hills Dr.....	5:05	43rd Ave & Camelback Rd.....	8:04		
43rd Ave & Thunderbird Rd.....	5:12	43rd Ave & Thomas Rd.....	8:12	Deadhead	
43rd Ave & Dunlap Ave.....	5:21	43rd Ave & Van Buren St.....	8:20	43rd Ave & Lower Buckeye Rd	10:59
43rd Ave & Glendale Ave.....	5:27	43rd Ave & Lower Buckeye Rd	8:28	43rd Ave & Lower Buckeye Rd	11:05
43rd Ave & Camelback Rd.....	5:34				
43rd Ave & Thomas Rd.....	5:41	Deadhead		Travel by	CAR
43rd Ave & Van Buren St.....	5:48	43rd Ave & Lower Buckeye Rd	8:28		
43rd Ave & Lower Buckeye Rd	5:56	43rd Ave & Lower Buckeye Rd	8:34	Car Pull	
				43rd Ave & Lower Buckeye Rd	11:05
Deadhead		43 / North / 182 / 20165236		West Transit Facility.....	11:26
43rd Ave & Lower Buckeye Rd	5:56	43rd Ave & Lower Buckeye Rd	8:48		
43rd Ave & Lower Buckeye Rd	6:02	43rd Ave & Van Buren St.....	8:54	43 / North / 182 / 20165729	
		43rd Ave & Thomas Rd.....	9:03	43rd Ave & Lower Buckeye Rd	11:16
43 / North / 182 / 20165748		43rd Ave & Camelback Rd.....	9:10	43rd Ave & Van Buren St.....	11:22
43rd Ave & Lower Buckeye Rd	6:19	43rd Ave & Glendale Ave.....	9:16	43rd Ave & Thomas Rd.....	11:32
43rd Ave & Van Buren St.....	6:25	43rd Ave & Dunlap Ave.....	9:23	43rd Ave & Camelback Rd.....	11:40
43rd Ave & Thomas Rd.....	6:33	43rd Ave & Thunderbird Rd.....	9:30	43rd Ave & Glendale Ave.....	11:47
43rd Ave & Camelback Rd.....	6:40	43rd Ave & Union Hills Dr.....	9:39	43rd Ave & Dunlap Ave.....	11:54
43rd Ave & Glendale Ave.....	6:46			43rd Ave & Thunderbird Rd.....	12:01
43rd Ave & Dunlap Ave.....	6:52	Deadhead		43rd Ave & Union Hills Dr.....	12:10
43rd Ave & Thunderbird Rd.....	6:59	43rd Ave & Union Hills Dr.....	9:39		
43rd Ave & Union Hills Dr.....	7:08	43rd Ave & Union Hills Dr.....	9:46		

Phoenix West

Effective: 01/22/2024

2007
Sunday

Duty Type	Block	Report Time	Start Place	Start Time	End Time	End Place	Clear Time	Paid Time	Seat Time
ST	2007	4:10	WEST	4:15	14:35	83VB			
	CAR		83VB	14:35	14:42	WEST	14:42	10h32	8h28

Sign-on	4:10	Deadhead	3 / West / 104 / 20165645
		83rd Ave & Van Buren St.....	8:31 Phoenix Zoo..... 13:21
Block	2007	83rd Ave & Van Buren St.....	Galvin Pkwy & Van Buren St..... 13:24
			44th St & Van Buren St..... 13:30
Pull Out		3 / East / 86 / 20165610	24th St & Van Buren St..... 13:38
West Transit Facility.....	4:30	83rd Ave & Van Buren St.....	8:55 2nd Ave & Van Buren St..... 13:50
2nd Ave & Van Buren St.....	4:50	67th Ave & Van Buren St.....	9:00 19th Ave & Van Buren St..... 13:58
		51st Ave & Van Buren St.....	9:09 35th Ave & Van Buren St..... 14:07
		35th Ave & Van Buren St.....	9:18 51st Ave & Van Buren St..... 14:16
3 / West / 104 / 20166028		19th Ave & Van Buren St.....	9:26 67th Ave & Van Buren St..... 14:23
2nd Ave & Van Buren St.....	4:50	Central Ave & Van Buren St.....	9:35 83rd Ave & Van Buren St..... 14:31
19th Ave & Van Buren St.....	4:58	24th St & Van Buren St.....	9:46
35th Ave & Van Buren St.....	5:07	44th St & Van Buren St.....	9:55
51st Ave & Van Buren St.....	5:16	Galvin Pkwy & Van Buren St.....	10:02
67th Ave & Van Buren St.....	5:23	Phoenix Zoo.....	10:06
83rd Ave & Van Buren St.....	5:31		
		3 / West / 104 / 20165640	Travel by CAR
Deadhead		83rd Ave & Van Buren St.....	5:31 Phoenix Zoo..... 10:21
83rd Ave & Van Buren St.....	5:35	Galvin Pkwy & Van Buren St.....	10:24
		44th St & Van Buren St.....	10:30
		24th St & Van Buren St.....	10:38
3 / East / 181 / 20165660		2nd Ave & Van Buren St.....	10:50
83rd Ave & Van Buren St.....	5:55	19th Ave & Van Buren St.....	10:58
67th Ave & Van Buren St.....	6:00	35th Ave & Van Buren St.....	11:07
51st Ave & Van Buren St.....	6:09	51st Ave & Van Buren St.....	11:16
35th Ave & Van Buren St.....	6:18	67th Ave & Van Buren St.....	11:23
19th Ave & Van Buren St.....	6:26	83rd Ave & Van Buren St.....	11:31
Central Ave & Van Buren St.....	6:35		
24th St & Van Buren St.....	6:46	3 / East / 86 / 20165615	83rd Ave & Van Buren St..... 14:55
44th St & Van Buren St.....	6:55		67th Ave & Van Buren St..... 15:00
Galvin Pkwy & Van Buren St...	7:02	Deadhead	51st Ave & Van Buren St..... 15:09
		83rd Ave & Van Buren St.....	11:31 35th Ave & Van Buren St..... 15:18
		83rd Ave & Van Buren St.....	11:35 19th Ave & Van Buren St..... 15:26
			Central Ave & Van Buren St.... 15:35
Deadhead			24th St & Van Buren St..... 15:46
Galvin Pkwy & Van Buren St...	7:02	3 / East / 86 / 20165613	44th St & Van Buren St..... 15:55
Phoenix Zoo.....	7:07	83rd Ave & Van Buren St.....	11:55 Galvin Pkwy & Van Buren St... 16:02
		67th Ave & Van Buren St.....	12:00 Phoenix Zoo..... 16:06
		51st Ave & Van Buren St.....	
3 / West / 104 / 20165637		35th Ave & Van Buren St.....	
Phoenix Zoo.....	7:21	19th Ave & Van Buren St.....	
Galvin Pkwy & Van Buren St.....	7:24	Central Ave & Van Buren St.....	
44th St & Van Buren St.....	7:30	24th St & Van Buren St.....	
24th St & Van Buren St.....	7:38	44th St & Van Buren St.....	
2nd Ave & Van Buren St.....	7:50	Galvin Pkwy & Van Buren St.....	
19th Ave & Van Buren St.....	7:58	Phoenix Zoo.....	13:06
35th Ave & Van Buren St.....	8:07		
51st Ave & Van Buren St.....	8:16		
67th Ave & Van Buren St.....	8:23		
83rd Ave & Van Buren St.....	8:31		

Phoenix West

Effective: 01/22/2024

2008
Sunday

Duty Type	Block	Report Time	Start Place	Start Time	End Time	End Place	Clear Time	Paid Time	Seat Time
ST	2008	4:13	WEST 93TH	4:18	11:44	93TH	12:01	7h48	6h35

Sign-on	4:13	Deadhead	41 / West / 724 / 20165570
		107th Ave & Indian School Rd.	7:26 Granite Reef Rd & Indian Sch
Block	2008	107th Ave & Indian School Rd.	7:32
<hr/>			
Pull Out		41 / East / 172 / 20165538	44th St & Indian School Rd..... 10:12
West Transit Facility.....	4:33	107th Ave & Indian School Rd.	7:49
19th Ave & Indian School Rd...	5:03	83rd Ave & Indian School Rd.....	7:57
<hr/>			
41 / East / 267 / 20166003		59th Ave & Indian School Rd.....	8:08
19th Ave & Indian School Rd...	5:03	43rd Ave & Indian School Rd.....	8:17
Central Ave & Indian School Rd.	5:10	19th Ave & Indian School Rd.....	8:31
Central Ave & Indian School Rd.	5:14	Central Ave & Indian School Rd.	8:40
24th St & Indian School Rd.....	5:24	Central Ave & Indian School Rd.	8:44
32nd St & Indian School Rd.....	5:27	24th St & Indian School Rd.....	8:58
44th St & Indian School Rd.....	5:34	32nd St & Indian School Rd.....	9:02
56th St & Indian School Rd....	5:37	44th St & Indian School Rd.....	9:09
<hr/>			
Deadhead		56th St & Indian School Rd.....	9:12
56th St & Indian School Rd....	5:37	Scottsdale Rd & Indian School	9:19
Granite Reef Rd & Indian Sch	5:47	Granite Reef Rd & Indian Sch	9:27
<hr/>			
41 / West / 724 / 20165565		Deadhead	Travel by CAR
Granite Reef Rd & Indian Sch	6:02	Granite Reef Rd & Indian Sch	9:27
Scottsdale Rd & Indian School	6:07	Pima Rd & Chaparral Rd.....	9:31
56th St & Indian School Rd.....	6:14	<hr/>	
44th St & Indian School Rd.....	6:17	Deadhead	Car Pull
32nd St & Indian School Rd.....	6:21	Pima Rd & Chaparral Rd.....	9:52
24th St & Indian School Rd.....	6:25	Granite Reef Rd & Indian Sch	9:56
Central Ave & Indian School Rd.	6:35	<hr/>	
Central Ave & Indian School Rd.	6:39	29 / East / 31 / 20165485	93rd Ave & Thomas Rd..... 12:00
19th Ave & Indian School Rd.....	6:45		Thomas Rd at Desert Sky TC.. 12:06
43rd Ave & Indian School Rd.....	6:58		67th Ave & Thomas Rd..... 12:13
59th Ave & Indian School Rd.....	7:05		51st Ave & Thomas Rd..... 12:23
83rd Ave & Indian School Rd.....	7:15		35th Ave & Thomas Rd..... 12:32
107th Ave & Indian School Rd.	7:26		19th Ave & Thomas Rd..... 12:42
<hr/>			
			Central Ave & Thomas Rd..... 12:50
			24th St & Thomas Rd..... 13:03
			44th St & Thomas Rd..... 13:18
			56th St & Thomas Rd..... 13:25
			Scottsdale Rd & Thomas Rd... 13:31
			Pima Park..... 13:38

Phoenix West

Effective: 01/22/2024

2009
Sunday

Duty Type	Block	Report Time	Start Place	Start Time	End Time	End Place	Clear Time	Paid Time	Seat Time
ST	2009 CAR	4:14	WEST 51HD	4:19 14:20	14:20 14:31	51HD WEST	14:31	10h17	7h31

Sign-on	4:14	Deadhead	59 / North / 830 / 20165301
<hr/>		59th Ave & Buckeye Rd.....	8:15 59th Ave & Buckeye Rd..... 11:55
Block	2009	51st Ave & Hadley St.....	8:19 59th Ave & Van Buren St..... 11:57
<hr/>			59th Ave & Thomas Rd..... 12:05
Pull Out		Deadhead	59th Ave & Camelback Rd..... 12:13
West Transit Facility.....	4:34	51st Ave & Hadley St.....	8:51 59th Ave & Glendale Ave..... 12:23
59th Ave & Camelback Rd.....	4:57	59th Ave & Buckeye Rd.....	8:55 59th Ave & Olive Ave..... 12:32
<hr/>			59th Ave & Thunderbird Rd..... 12:44
59 / South / 220 / 20166014		59 / North / 830 / 20165295	59th Ave & Bell Rd..... 12:51
59th Ave & Camelback Rd.....	4:57	59th Ave & Buckeye Rd.....	8:55 59th Ave & Beardsley Rd..... 12:59
59th Ave & Thomas Rd.....	5:04	59th Ave & Van Buren St.....	8:57
59th Ave & Van Buren St.....	5:12	59th Ave & Thomas Rd.....	9:05
59th Ave & Buckeye Rd.....	5:15	59th Ave & Camelback Rd.....	9:13
<hr/>			59th Ave & Glendale Ave..... 9:23
Deadhead		59th Ave & Olive Ave.....	9:32
59th Ave & Buckeye Rd.....	5:15	59th Ave & Thunderbird Rd.....	9:43
51st Ave & Hadley St.....	5:19	59th Ave & Bell Rd.....	9:50
<hr/>			59th Ave & Beardsley Rd..... 9:58
Deadhead		59 / South / 220 / 20165299	59th Ave & Camelback Rd..... 13:57
51st Ave & Hadley St.....	5:51	59th Ave & Beardsley Rd.....	10:13 59th Ave & Thomas Rd..... 14:04
59th Ave & Buckeye Rd.....	5:55	59th Ave & Bell Rd.....	10:19
<hr/>			59th Ave & Van Buren St..... 14:13
59 / North / 830 / 20165311		59th Ave & Thunderbird Rd.....	10:26
59th Ave & Buckeye Rd.....	5:55	59th Ave & Olive Ave.....	10:38
59th Ave & Van Buren St.....	5:57	59th Ave & Glendale Ave.....	10:48
59th Ave & Thomas Rd.....	6:05	59th Ave & Camelback Rd.....	10:57
59th Ave & Camelback Rd.....	6:13	59th Ave & Thomas Rd.....	11:04
59th Ave & Glendale Ave.....	6:21	59th Ave & Van Buren St.....	11:13
59th Ave & Olive Ave.....	6:30	59th Ave & Buckeye Rd.....	11:16
59th Ave & Thunderbird Rd.....	6:41	<hr/>	
59th Ave & Bell Rd.....	6:48	Deadhead	
59th Ave & Beardsley Rd.....	6:56	59th Ave & Buckeye Rd.....	11:16
<hr/>		51st Ave & Hadley St.....	11:20
59 / South / 220 / 20165297		<hr/>	
59th Ave & Beardsley Rd.....	7:18	Deadhead	
59th Ave & Bell Rd.....	7:23	51st Ave & Hadley St.....	11:51
59th Ave & Thunderbird Rd.....	7:30	59th Ave & Buckeye Rd.....	11:55
59th Ave & Olive Ave.....	7:41	<hr/>	
59th Ave & Glendale Ave.....	7:49	59 / North / 830 / 20165312	59th Ave & Buckeye Rd..... 14:53
59th Ave & Camelback Rd.....	7:57	59th Ave & Van Buren St.....	14:55
59th Ave & Thomas Rd.....	8:04	59th Ave & Thomas Rd.....	15:04
59th Ave & Van Buren St.....	8:12	59th Ave & Camelback Rd.....	15:13
59th Ave & Buckeye Rd.....	8:15	59th Ave & Glendale Ave.....	15:23
<hr/>		59th Ave & Olive Ave.....	15:33
		59th Ave & Thunderbird Rd.....	15:45
		59th Ave & Bell Rd.....	15:52
		59th Ave & Beardsley Rd.....	16:01

Travel by CAR

Car Pull
51st Ave & Hadley St..... 14:20
West Transit Facility..... 14:31

Phoenix West

Effective: 01/22/2024

2010
Sunday

Duty Type	Block	Report Time	Start Place	Start Time	End Time	End Place	Clear Time	Paid Time	Seat Time
ST	2010 CAR	4:15	WEST 51VB	4:20 11:45	11:45 11:59	51VB WEST	11:59	7h44	5h52

Sign-on	4:15	51 / South / 27 / 20165789		Travel by	CAR
		ASU West Campus.....	8:38		
Block	2010	51st Ave & Olive Ave.....	8:49	Car Pull	
		51st Ave & Glendale Ave.....	8:55	51st Ave & Van Buren St.....	11:45
Pull Out		51st Ave & Camelback Rd.....	9:00	West Transit Facility.....	11:59
West Transit Facility.....	4:35	51st Ave & Thomas Rd.....	9:07		
ASU West Campus.....	5:08	51st Ave & Van Buren St.....	9:15	51st Ave & Lower Buckeye Rd	11:50
		51st Ave & Lower Buckeye Rd...	9:20	51st Ave & Baseline Rd.....	11:58
		51st Ave & Baseline Rd.....	9:28	Vee Quiva Casino.....	12:10

		51 / South / 28 / 20165279		Komatke Health Center.....	12:22
ASU West Campus.....	5:08	Deadhead		51st Ave & Pecos Rd.....	12:26
51st Ave & Olive Ave.....	5:19	51st Ave & Baseline Rd.....	9:28		
51st Ave & Glendale Ave.....	5:25	51st Ave & Baseline Rd.....	9:33		
51st Ave & Camelback Rd.....	5:30	-----			
51st Ave & Thomas Rd.....	5:37	51 / North / 206 / 20165273		51st Ave & Pecos Rd.....	12:51
51st Ave & Van Buren St.....	5:45	51 / North / 206 / 20165786		Vee Quiva Casino.....	13:01
51st Ave & Lower Buckeye Rd...	5:50	51st Ave & Baseline Rd.....	9:43	51st Ave & Baseline Rd.....	13:13
51st Ave & Baseline Rd.....	5:57	51st Ave & Lower Buckeye Rd...	9:50	51st Ave & Lower Buckeye Rd	13:20
Vee Quiva Casino.....	6:09	51st Ave & Van Buren St.....	9:57	51st Ave & Van Buren St.....	13:27
Komatke Health Center.....	6:21	51st Ave & Thomas Rd.....	10:05	51st Ave & Thomas Rd.....	13:35
51st Ave & Pecos Rd.....	6:25	51st Ave & Camelback Rd.....	10:13	51st Ave & Camelback Rd.....	13:43
		51st Ave & Glendale Ave.....	10:20	51st Ave & Glendale Ave.....	13:50
		51st Ave & Olive Ave.....	10:27	51st Ave & Olive Ave.....	13:57
		ASU West Campus.....	10:38	ASU West Campus.....	14:08

		51 / South / 28 / 20165285			
51st Ave & Pecos Rd.....	6:52	ASU West Campus.....	11:02		
Vee Quiva Casino.....	7:02	51st Ave & Olive Ave.....	11:14		
51st Ave & Baseline Rd.....	7:13	51st Ave & Glendale Ave.....	11:21		
51st Ave & Lower Buckeye Rd...	7:20	51st Ave & Camelback Rd.....	11:28		
51st Ave & Van Buren St.....	7:27	51st Ave & Thomas Rd.....	11:37		
51st Ave & Thomas Rd.....	7:35	51st Ave & Van Buren St.....	11:45		
51st Ave & Camelback Rd.....	7:43	-----			
51st Ave & Glendale Ave.....	7:50				
51st Ave & Olive Ave.....	7:57				
ASU West Campus.....	8:07				

Phoenix West

Effective: 01/22/2024

2011
Sunday

Duty Type	Block	Report Time	Start Place	Start Time	End Time	End Place	Clear Time	Paid Time	Seat Time
ST	2011	4:16	WEST	4:21	14:12	44IN			
	CAR		44IN	14:12	14:49	WEST	14:49	10h33	8h31

Sign-on	4:16	29 / East / 31 / 20165480	
		93rd Ave & Thomas Rd.....	8:10
Block	2011	Thomas Rd at Desert Sky TC....	8:15
		67th Ave & Thomas Rd.....	8:21
Pull Out		51st Ave & Thomas Rd.....	8:28
West Transit Facility.....	4:36	35th Ave & Thomas Rd.....	8:35
51st Ave & Thomas Rd.....	4:58	19th Ave & Thomas Rd.....	8:43
		Central Ave & Thomas Rd.....	8:50
		24th St & Thomas Rd.....	9:01
		44th St & Thomas Rd.....	9:14
		56th St & Thomas Rd.....	9:21
		Scottsdale Rd & Thomas Rd.....	9:27
		Pima Park.....	9:34
		29 / West / 199 / 20165515	
		Pima Park.....	9:57
		Scottsdale Rd & Thomas Rd.....	10:02
		56th St & Thomas Rd.....	10:08
		44th St & Thomas Rd.....	10:16
		24th St & Thomas Rd.....	10:27
		Central Ave & Thomas Rd.....	10:40
		19th Ave & Thomas Rd.....	10:46
		35th Ave & Thomas Rd.....	10:54
		51st Ave & Thomas Rd.....	11:01
		67th Ave & Thomas Rd.....	11:08
		Desert Sky TC.....	11:17
		Desert Sky TC.....	11:20
		93rd Ave & Thomas Rd.....	11:26
		Deadhead	
		93rd Ave & Thomas Rd.....	11:26
		107th Ave & Indian School Rd.	11:34
		41 / East / 172 / 20165541	
		107th Ave & Indian School Rd.	11:47
		83rd Ave & Indian School Rd.....	11:55
		59th Ave & Indian School Rd.....	12:06
		43rd Ave & Indian School Rd.....	12:15
		19th Ave & Indian School Rd.....	12:31
		Central Ave & Indian School Rd.	12:40
		Central Ave & Indian School Rd.	12:44
		24th St & Indian School Rd.....	12:58
		32nd St & Indian School Rd.....	13:02
		44th St & Indian School Rd.....	13:09
		56th St & Indian School Rd.....	13:12
		Scottsdale Rd & Indian School	13:19
		Granite Reef Rd & Indian Sch	13:27
		Deadhead	
		Granite Reef Rd & Indian Sch	13:27
		Pima Rd & Chaparral Rd.....	13:31
		Deadhead	
		Pima Rd & Chaparral Rd.....	13:52
		Granite Reef Rd & Indian Sch	13:56
		41 / West / 724 / 20165581	
		Granite Reef Rd & Indian Sch	13:56
		Scottsdale Rd & Indian School	14:01
		56th St & Indian School Rd.....	14:08
		44th St & Indian School Rd....	14:12
		Travel by	CAR
		Car Pull	
		44th St & Indian School Rd....	14:12
		West Transit Facility.....	14:49
		32nd St & Indian School Rd....	14:18
		24th St & Indian School Rd....	14:23
		Central Ave & Indian School R	14:35
		Central Ave & Indian School R	14:39
		19th Ave & Indian School Rd...	14:47
		43rd Ave & Indian School Rd..	15:03
		59th Ave & Indian School Rd...	15:12
		83rd Ave & Indian School Rd..	15:24
		107th Ave & Indian School Rd.	15:36
		41 / East / 172 / 20165561	
		107th Ave & Indian School Rd.	16:18
		83rd Ave & Indian School Rd..	16:27
		59th Ave & Indian School Rd...	16:38
		43rd Ave & Indian School Rd..	16:47
		19th Ave & Indian School Rd...	17:01
		Central Ave & Indian School R	17:10
		Central Ave & Indian School R	17:14
		24th St & Indian School Rd....	17:28
		32nd St & Indian School Rd....	17:32
		44th St & Indian School Rd....	17:39
		56th St & Indian School Rd....	17:42
		Scottsdale Rd & Indian Schoo	17:49
		Granite Reef Rd & Indian Sch	17:57

Phoenix West

Effective: 01/22/2024

2012
Sunday

Duty Type	Block	Report Time	Start Place	Start Time	End Time	End Place	Clear Time	Paid Time	Seat Time
TRP	2012	4:16	WEST	4:21	10:05	83VB	10:12	5h56	4h45
	CAR		83VB	10:05	10:12	WEST			

Sign-on	4:16	Deadhead		Deadhead	
		83rd Ave & Van Buren St.....	7:01	83rd Ave & Van Buren St.....	10:01
Block	2012	83rd Ave & Van Buren St.....	7:05	83rd Ave & Van Buren St.....	10:05
<hr/>					
Pull Out		3 / East / 86 / 20165624		Travel by	CAR
West Transit Facility.....	4:36	83rd Ave & Van Buren St.....	7:25	Car Pull	
19th Ave & Van Buren St.....	4:56	67th Ave & Van Buren St.....	7:30	83rd Ave & Van Buren St.....	10:05
		51st Ave & Van Buren St.....	7:39	West Transit Facility.....	10:12
		35th Ave & Van Buren St.....	7:48	<hr/>	
3 / East / 181 / 20165988		19th Ave & Van Buren St.....	7:56	3 / East / 86 / 20165625	
19th Ave & Van Buren St.....	4:56	Central Ave & Van Buren St.....	8:05	83rd Ave & Van Buren St.....	10:25
Central Ave & Van Buren St.....	5:05	24th St & Van Buren St.....	8:16	67th Ave & Van Buren St.....	10:30
24th St & Van Buren St.....	5:16	44th St & Van Buren St.....	8:25	51st Ave & Van Buren St.....	10:39
44th St & Van Buren St.....	5:25	Galvin Pkwy & Van Buren St.....	8:32	35th Ave & Van Buren St.....	10:48
Galvin Pkwy & Van Buren St...	5:32	Phoenix Zoo.....	8:36	19th Ave & Van Buren St.....	10:56
		<hr/>		Central Ave & Van Buren St....	11:05
Deadhead		3 / West / 104 / 20165596		24th St & Van Buren St.....	11:16
Galvin Pkwy & Van Buren St...	5:32	Phoenix Zoo.....	8:51	44th St & Van Buren St.....	11:25
Galvin Pkwy & Van Buren St...	5:38	Galvin Pkwy & Van Buren St.....	8:54	Galvin Pkwy & Van Buren St...	11:32
		44th St & Van Buren St.....	9:00	Phoenix Zoo.....	11:36
3 / West / 104 / 20165658		24th St & Van Buren St.....	9:08	<hr/>	
Galvin Pkwy & Van Buren St...	5:54	2nd Ave & Van Buren St.....	9:20		
44th St & Van Buren St.....	6:00	19th Ave & Van Buren St.....	9:28		
24th St & Van Buren St.....	6:08	35th Ave & Van Buren St.....	9:37		
2nd Ave & Van Buren St.....	6:20	51st Ave & Van Buren St.....	9:46		
19th Ave & Van Buren St.....	6:28	67th Ave & Van Buren St.....	9:53		
35th Ave & Van Buren St.....	6:37	83rd Ave & Van Buren St.....	10:01		
51st Ave & Van Buren St.....	6:46				
67th Ave & Van Buren St.....	6:53				
83rd Ave & Van Buren St.....	7:01				

Phoenix West

Effective: 01/22/2024

2013
Sunday

Duty Type	Block	Report Time	Start Place	Start Time	End Time	End Place	Clear Time	Paid Time	Seat Time
ST	2013 CAR	4:17	WEST 44MC	4:22 10:19	10:19 10:49	44MC WEST	10:49	6h32	5h19

Sign-on	4:17	Deadhead			Travel by	CAR
		99th Ave & McDowell Rd.....		7:30		
Block	2013	99th Ave & McDowell Rd.....		7:37	Car Pull	
					44th St & McDowell Rd.....	10:19
Pull Out		17 / East / 132 / 20165342			West Transit Facility.....	10:49
West Transit Facility.....	4:37	99th Ave & McDowell Rd.....		7:54		
43rd Ave & McDowell Rd.....	4:57	83rd Ave & McDowell Rd.....		8:02	24th St & McDowell Rd.....	10:31
		67th Ave & McDowell Rd.....		8:09	Central Ave & McDowell Rd....	10:43
17 / East / 255 / 20165992		43rd Ave & McDowell Rd.....		8:22	19th Ave & McDowell Rd.....	10:51
43rd Ave & McDowell Rd.....	4:57	19th Ave & McDowell Rd.....		8:37	43rd Ave & McDowell Rd.....	11:06
19th Ave & McDowell Rd.....	5:09	Central Ave & McDowell Rd.....		8:47	67th Ave & McDowell Rd.....	11:20
Central Ave & McDowell Rd.....	5:17	24th St & McDowell Rd.....		8:59	83rd Ave & McDowell Rd.....	11:27
24th St & McDowell Rd.....	5:27	44th St & McDowell Rd.....		9:11	99th Ave & McDowell Rd.....	11:35
44th St & McDowell Rd.....	5:37	52nd St & McDowell Rd.....		9:14		
52nd St & McDowell Rd.....	5:40	Scottsdale Rd & McDowell Rd....		9:22	17 / East / 132 / 20165343	
		Pima Rd & McDowell Rd.....		9:30	99th Ave & McDowell Rd.....	11:54
Deadhead					83rd Ave & McDowell Rd.....	12:02
52nd St & McDowell Rd.....	5:40	Deadhead			67th Ave & McDowell Rd.....	12:09
Pima Rd & McDowell Rd.....	5:55	Pima Rd & McDowell Rd.....		9:30	43rd Ave & McDowell Rd.....	12:22
		Pima Rd & McDowell Rd.....		9:37	19th Ave & McDowell Rd.....	12:37
17 / West / 253 / 20165354					Central Ave & McDowell Rd....	12:47
Pima Rd & McDowell Rd.....	6:06	17 / West / 253 / 20165359			24th St & McDowell Rd.....	12:59
Scottsdale Rd & McDowell Rd....	6:13	Pima Rd & McDowell Rd.....		10:02	44th St & McDowell Rd.....	13:11
52nd St & McDowell Rd.....	6:20	Scottsdale Rd & McDowell Rd....		10:09	52nd St & McDowell Rd.....	13:14
44th St & McDowell Rd.....	6:23	52nd St & McDowell Rd.....		10:16	Scottsdale Rd & McDowell Rd	13:22
24th St & McDowell Rd.....	6:33	44th St & McDowell Rd.....		10:19	Pima Rd & McDowell Rd.....	13:30
Central Ave & McDowell Rd.....	6:43					
19th Ave & McDowell Rd.....	6:49					
43rd Ave & McDowell Rd.....	7:01					
67th Ave & McDowell Rd.....	7:15					
83rd Ave & McDowell Rd.....	7:22					
99th Ave & McDowell Rd.....	7:30					

Phoenix West

Effective: 01/22/2024

2014
Sunday

Duty Type	Block	Report Time	Start Place	Start Time	End Time	End Place	Clear Time	Paid Time	Seat Time
ST	2014	4:17	WEST 107I-E	4:22	14:12	107I-E	14:29	10h12	8h32

Sign-on	4:17	29 / West / 199 / 20165512	41 / West / 724 / 20165578
		Pima Park.....	8:28 Granite Reef Rd & Indian Sch
Block	2014	Scottsdale Rd & Thomas Rd.....	12:31
		56th St & Thomas Rd.....	12:38
Pull Out		44th St & Thomas Rd.....	12:42
West Transit Facility.....	4:37	24th St & Thomas Rd.....	12:48
56th St & Thomas Rd.....	5:12	Central Ave & Thomas Rd.....	12:53
		19th Ave & Thomas Rd.....	13:05
		35th Ave & Thomas Rd.....	13:09
29 / West / 199 / 20165704		51st Ave & Thomas Rd.....	13:17
56th St & Thomas Rd.....	5:12	67th Ave & Thomas Rd.....	13:33
44th St & Thomas Rd.....	5:18	Desert Sky TC.....	13:42
24th St & Thomas Rd.....	5:28	Desert Sky TC.....	13:54
Central Ave & Thomas Rd.....	5:40	93rd Ave & Thomas Rd.....	14:06
19th Ave & Thomas Rd.....	5:46		
35th Ave & Thomas Rd.....	5:54	Deadhead	Deadhead
51st Ave & Thomas Rd.....	6:00	93rd Ave & Thomas Rd.....	9:56 107th Ave & Indian School Rd.
67th Ave & Thomas Rd.....	6:07	107th Ave & Indian School Rd.	10:04 107th Ave & Indian School Rd.
Desert Sky TC.....	6:14		
Desert Sky TC.....	6:17		
93rd Ave & Thomas Rd.....	6:22	41 / East / 172 / 20165557	Travel by CAR
		107th Ave & Indian School Rd.	
Deadhead		83rd Ave & Indian School Rd.....	10:26
93rd Ave & Thomas Rd.....	6:22	59th Ave & Indian School Rd.....	10:37
94th Av Layover.....	6:23	43rd Ave & Indian School Rd.....	10:46
		19th Ave & Indian School Rd.....	11:01
Deadhead		Central Ave & Indian School Rd.	11:10
94th Av Layover.....	6:40	Central Ave & Indian School Rd.	11:14
93rd Ave & Thomas Rd.....	6:41	24th St & Indian School Rd.....	11:28
		32nd St & Indian School Rd.....	11:32
29 / East / 31 / 20165492		44th St & Indian School Rd.....	11:39
93rd Ave & Thomas Rd.....	6:41	56th St & Indian School Rd.....	11:42
Thomas Rd at Desert Sky TC....	6:46	Scottsdale Rd & Indian School	11:49
67th Ave & Thomas Rd.....	6:52	Granite Reef Rd & Indian Sch	11:57
51st Ave & Thomas Rd.....	6:58		
35th Ave & Thomas Rd.....	7:05	Deadhead	Deadhead
19th Ave & Thomas Rd.....	7:13	Granite Reef Rd & Indian Sch	11:57
Central Ave & Thomas Rd.....	7:20	Pima Rd & Chaparral Rd.....	12:01
24th St & Thomas Rd.....	7:31		
44th St & Thomas Rd.....	7:41	Deadhead	Deadhead
56th St & Thomas Rd.....	7:47	Pima Rd & Chaparral Rd.....	12:22
Scottsdale Rd & Thomas Rd.....	7:53	Granite Reef Rd & Indian Sch	12:26
Pima Park.....	8:00		

Phoenix West

Effective: 01/22/2024

2015
Sunday

Duty Type	Block	Report Time	Start Place	Start Time	End Time	End Place	Clear Time	Paid Time	Seat Time
ST	2015 CAR	4:19	WEST 94TH	4:24 14:31	14:31 14:47	94TH WEST	14:47	10h28	8h57

Sign-on	4:19	Deadhead									
		Granite Reef Rd & Indian Sch		8:27		Pima Park.....				12:53	
Block	2015	Pima Rd & Chaparral Rd.....		8:31		Scottsdale Rd & Thomas Rd.....				12:58	
						56th St & Thomas Rd.....				13:04	
Pull Out		Deadhead				44th St & Thomas Rd.....				13:12	
West Transit Facility.....	4:39	Pima Rd & Chaparral Rd.....		8:52		24th St & Thomas Rd.....				13:26	
56th St & Indian School Rd.....	5:14	Granite Reef Rd & Indian Sch		8:56		Central Ave & Thomas Rd.....				13:40	
						19th Ave & Thomas Rd.....				13:47	
						35th Ave & Thomas Rd.....				13:57	
41 / West / 724 / 20165997		41 / West / 724 / 20165573				51st Ave & Thomas Rd.....				14:04	
56th St & Indian School Rd.....	5:14	Granite Reef Rd & Indian Sch		8:56		67th Ave & Thomas Rd.....				14:11	
44th St & Indian School Rd.....	5:17	Scottsdale Rd & Indian School		9:01		Desert Sky TC.....				14:21	
32nd St & Indian School Rd.....	5:21	56th St & Indian School Rd.....		9:08		Desert Sky TC.....				14:24	
24th St & Indian School Rd.....	5:25	44th St & Indian School Rd.....		9:12		93rd Ave & Thomas Rd.....				14:30	
Central Ave & Indian School Rd.	5:35	32nd St & Indian School Rd.....		9:18							
Central Ave & Indian School Rd.	5:39	24th St & Indian School Rd.....		9:23							
19th Ave & Indian School Rd.....	5:45	Central Ave & Indian School Rd.		9:35		Deadhead					
43rd Ave & Indian School Rd.....	5:58	Central Ave & Indian School Rd.		9:39		93rd Ave & Thomas Rd.....				14:30	
59th Ave & Indian School Rd.....	6:05	19th Ave & Indian School Rd.....		9:47		94th Av Layover.....				14:31	
83rd Ave & Indian School Rd.....	6:15	43rd Ave & Indian School Rd.....		10:03							
107th Ave & Indian School Rd.	6:26	59th Ave & Indian School Rd.....		10:12		Travel by				CAR	
		83rd Ave & Indian School Rd.....		10:24							
Deadhead		107th Ave & Indian School Rd.		10:36		Car Pull					
107th Ave & Indian School Rd.	6:26	107th Ave & Indian School Rd.		10:36		94th Av Layover.....				14:31	
107th Ave & Indian School Rd.	6:32	Deadhead				West Transit Facility.....				14:47	
		107th Ave & Indian School Rd.		10:36							
		93rd Ave & Thomas Rd.....		10:44							
41 / East / 172 / 20165534						29 / East / 31 / 20165487					
107th Ave & Indian School Rd.	6:51					93rd Ave & Thomas Rd.....				15:00	
83rd Ave & Indian School Rd.....	6:59					Thomas Rd at Desert Sky TC..				15:06	
59th Ave & Indian School Rd.....	7:08	29 / East / 31 / 20165483				67th Ave & Thomas Rd.....				15:13	
43rd Ave & Indian School Rd.....	7:17	93rd Ave & Thomas Rd.....		11:00		51st Ave & Thomas Rd.....				15:23	
19th Ave & Indian School Rd.....	7:31	Thomas Rd at Desert Sky TC....		11:06		35th Ave & Thomas Rd.....				15:32	
Central Ave & Indian School Rd.	7:40	67th Ave & Thomas Rd.....		11:13		19th Ave & Thomas Rd.....				15:42	
Central Ave & Indian School Rd.	7:44	51st Ave & Thomas Rd.....		11:23		Central Ave & Thomas Rd.....				15:50	
24th St & Indian School Rd.....	7:58	35th Ave & Thomas Rd.....		11:32		24th St & Thomas Rd.....				16:03	
32nd St & Indian School Rd.....	8:02	19th Ave & Thomas Rd.....		11:42		44th St & Thomas Rd.....				16:18	
44th St & Indian School Rd.....	8:09	Central Ave & Thomas Rd.....		11:50		56th St & Thomas Rd.....				16:25	
56th St & Indian School Rd.....	8:12	24th St & Thomas Rd.....		12:03		Scottsdale Rd & Thomas Rd...				16:31	
Scottsdale Rd & Indian School	8:19	44th St & Thomas Rd.....		12:18		Pima Park.....				16:38	
Granite Reef Rd & Indian Sch	8:27	56th St & Thomas Rd.....		12:25							
		Scottsdale Rd & Thomas Rd.....		12:31							
		Pima Park.....		12:38							

Phoenix West

Effective: 01/22/2024

2016
Sunday

Duty Type	Block	Report Time	Start Place	Start Time	End Time	End Place	Clear Time	Paid Time	Seat Time
ST	2017	4:20	WEST	4:25	12:20	51HD	12:31	8h11	6h10
	CAR		51HD	12:20	12:31	WEST			

Sign-on	4:20	59 / South / 220 / 20165318	59 / South / 220 / 20165324
		59th Ave & Beardsley Rd.....	59th Ave & Beardsley Rd.....
		8:18	11:13
Block	2017	59th Ave & Bell Rd.....	59th Ave & Bell Rd.....
		59th Ave & Thunderbird Rd.....	59th Ave & Thunderbird Rd.....
		59th Ave & Olive Ave.....	59th Ave & Olive Ave.....
Pull Out		59th Ave & Glendale Ave.....	59th Ave & Glendale Ave.....
West Transit Facility.....	4:40	59th Ave & Camelback Rd.....	59th Ave & Camelback Rd.....
59th Ave & Beardsley Rd.....	5:18	59th Ave & Thomas Rd.....	59th Ave & Thomas Rd.....
		59th Ave & Van Buren St.....	59th Ave & Van Buren St.....
		59th Ave & Buckeye Rd.....	59th Ave & Buckeye Rd.....
		5:18	12:16
		59th Ave & Bell Rd.....	59th Ave & Bell Rd.....
		59th Ave & Thunderbird Rd.....	59th Ave & Thunderbird Rd.....
		59th Ave & Olive Ave.....	59th Ave & Olive Ave.....
		59th Ave & Glendale Ave.....	59th Ave & Glendale Ave.....
		59th Ave & Camelback Rd.....	59th Ave & Camelback Rd.....
		59th Ave & Thomas Rd.....	59th Ave & Thomas Rd.....
		59th Ave & Van Buren St.....	59th Ave & Van Buren St.....
		59th Ave & Buckeye Rd.....	59th Ave & Buckeye Rd.....
		6:15	12:20
		Deadhead	Deadhead
		59th Ave & Buckeye Rd.....	59th Ave & Buckeye Rd.....
		9:15	12:16
		51st Ave & Hadley St.....	51st Ave & Hadley St.....
		9:19	12:20
		Deadhead	Travel by
		51st Ave & Hadley St.....	CAR
		9:51	
		59th Ave & Buckeye Rd.....	Car Pull
		9:55	51st Ave & Hadley St.....
			12:20
			West Transit Facility.....
			12:31
Deadhead		59 / North / 830 / 20165322	59 / North / 830 / 20165310
59th Ave & Buckeye Rd.....	6:15	59th Ave & Buckeye Rd.....	59th Ave & Buckeye Rd.....
51st Ave & Hadley St.....	6:19	59th Ave & Van Buren St.....	59th Ave & Van Buren St.....
		59th Ave & Thomas Rd.....	59th Ave & Thomas Rd.....
		59th Ave & Camelback Rd.....	59th Ave & Camelback Rd.....
		59th Ave & Glendale Ave.....	59th Ave & Glendale Ave.....
		59th Ave & Olive Ave.....	59th Ave & Olive Ave.....
		59th Ave & Thunderbird Rd.....	59th Ave & Thunderbird Rd.....
		59th Ave & Bell Rd.....	59th Ave & Bell Rd.....
		59th Ave & Beardsley Rd.....	59th Ave & Beardsley Rd.....
		10:58	13:45
		59th Ave & Van Buren St.....	59th Ave & Van Buren St.....
		59th Ave & Thomas Rd.....	59th Ave & Thomas Rd.....
		59th Ave & Camelback Rd.....	59th Ave & Camelback Rd.....
		59th Ave & Glendale Ave.....	59th Ave & Glendale Ave.....
		59th Ave & Olive Ave.....	59th Ave & Olive Ave.....
		59th Ave & Thunderbird Rd.....	59th Ave & Thunderbird Rd.....
		59th Ave & Bell Rd.....	59th Ave & Bell Rd.....
		59th Ave & Beardsley Rd.....	59th Ave & Beardsley Rd.....
		7:56	14:00

Phoenix West

Effective: 01/22/2024

2017
Sunday

Duty Type	Block	Report Time	Start Place	Start Time	End Time	End Place	Clear Time	Paid Time	Seat Time
ST	2016 CAR	4:20	WEST 107I-E	4:25 12:12	12:12 12:29	107I-E WEST	12:29	8h09	6h56

Sign-on	4:20	Deadhead		41 / West / 724 / 20165575
		107th Ave & Indian School Rd.	7:56	Granite Reef Rd & Indian Sch
Block	2016	107th Ave & Indian School Rd.	8:02	Scottsdale Rd & Indian School
				56th St & Indian School Rd.....
Pull Out		41 / East / 172 / 20165553		44th St & Indian School Rd.....
West Transit Facility.....	4:40	107th Ave & Indian School Rd.	8:19	32nd St & Indian School Rd.....
107th Ave & Indian School Rd.	4:55	83rd Ave & Indian School Rd.....	8:27	24th St & Indian School Rd.....
		59th Ave & Indian School Rd.....	8:38	Central Ave & Indian School Rd.
		43rd Ave & Indian School Rd.....	8:47	Central Ave & Indian School Rd.
41 / East / 267 / 20166002		19th Ave & Indian School Rd.....	9:01	19th Ave & Indian School Rd.....
107th Ave & Indian School Rd.	4:55	Central Ave & Indian School Rd.	9:10	43rd Ave & Indian School Rd.....
83rd Ave & Indian School Rd.....	5:03	Central Ave & Indian School Rd.	9:14	59th Ave & Indian School Rd.....
59th Ave & Indian School Rd.....	5:12	24th St & Indian School Rd.....	9:28	83rd Ave & Indian School Rd.....
43rd Ave & Indian School Rd.....	5:21	32nd St & Indian School Rd.....	9:32	107th Ave & Indian School Rd.
19th Ave & Indian School Rd.....	5:33	44th St & Indian School Rd.....	9:39	
Central Ave & Indian School Rd.	5:40	56th St & Indian School Rd.....	9:42	Deadhead
Central Ave & Indian School Rd.	5:44	Scottsdale Rd & Indian School	9:49	107th Ave & Indian School Rd.
24th St & Indian School Rd.....	5:54	Granite Reef Rd & Indian Sch	9:57	107th Ave & Indian School Rd.
32nd St & Indian School Rd.....	5:57			
44th St & Indian School Rd.....	6:04	Deadhead		Travel by
56th St & Indian School Rd.....	6:07	Granite Reef Rd & Indian Sch	9:57	CAR
		Pima Rd & Chaparral Rd.....	10:01	
Deadhead				Car Pull
56th St & Indian School Rd.....	6:07	Deadhead		107th Ave & Indian School Rd.
Granite Reef Rd & Indian Sch	6:17	Pima Rd & Chaparral Rd.....	10:22	West Transit Facility.....
		Granite Reef Rd & Indian Sch	10:26	
41 / West / 724 / 20165566				41 / East / 172 / 20165542
Granite Reef Rd & Indian Sch	6:32			<i>107th Ave & Indian School Rd.</i>
Scottsdale Rd & Indian School	6:37			<i>83rd Ave & Indian School Rd..</i>
56th St & Indian School Rd.....	6:44			<i>59th Ave & Indian School Rd...</i>
44th St & Indian School Rd.....	6:47			<i>43rd Ave & Indian School Rd..</i>
32nd St & Indian School Rd.....	6:51			<i>19th Ave & Indian School Rd...</i>
24th St & Indian School Rd.....	6:55			<i>Central Ave & Indian School R</i>
Central Ave & Indian School Rd.	7:05			<i>Central Ave & Indian School R</i>
Central Ave & Indian School Rd.	7:09			<i>24th St & Indian School Rd.....</i>
19th Ave & Indian School Rd.....	7:15			<i>32nd St & Indian School Rd....</i>
43rd Ave & Indian School Rd.....	7:28			<i>44th St & Indian School Rd.....</i>
59th Ave & Indian School Rd.....	7:35			<i>56th St & Indian School Rd.....</i>
83rd Ave & Indian School Rd.....	7:45			<i>Scottsdale Rd & Indian Schoo</i>
107th Ave & Indian School Rd.	7:56			<i>Granite Reef Rd & Indian Sch</i>

Phoenix West

Effective: 01/22/2024

2018
Sunday

Duty Type	Block	Report Time	Start Place	Start Time	End Time	End Place	Clear Time	Paid Time	Seat Time
ST	2018 CAR	4:21	WEST 51VB	4:26 14:15	14:15 14:29	51VB WEST	14:29	10h08	7h35

Sign-on	4:21	Deadhead	51 / South / 27 / 20165766
		51st Ave & Baseline Rd.....	8:27 ASU West Campus..... 13:32
Block	2018	51st Ave & Baseline Rd.....	8:32
<hr/>			
Pull Out		51 / North / 206 / 20165751	51 / South / 27 / 20166008
West Transit Facility.....	4:41	51st Ave & Baseline Rd.....	8:43
51st Ave & Camelback Rd.....	5:00	51st Ave & Lower Buckeye Rd...	8:50
<hr/>			
51 / South / 27 / 20166008		51st Ave & Van Buren St.....	8:57
51st Ave & Camelback Rd.....	5:00	51st Ave & Thomas Rd.....	9:05
51st Ave & Thomas Rd.....	5:07	51st Ave & Camelback Rd.....	9:13
51st Ave & Van Buren St.....	5:15	51st Ave & Glendale Ave.....	9:20
51st Ave & Lower Buckeye Rd...	5:20	51st Ave & Olive Ave.....	9:27
51st Ave & Baseline Rd.....	5:27	ASU West Campus.....	9:37
<hr/>			
Deadhead		51 / South / 28 / 20165281	51st Ave & Lower Buckeye Rd 14:20
51st Ave & Baseline Rd.....	5:27	ASU West Campus.....	10:02
51st Ave & Pecos Rd.....	5:39	51st Ave & Olive Ave.....	10:14
<hr/>			
51 / North / 206 / 20165265		51st Ave & Glendale Ave.....	10:21
51st Ave & Pecos Rd.....	5:54	51st Ave & Camelback Rd.....	10:28
Vee Quiva Casino.....	6:04	51st Ave & Thomas Rd.....	10:37
51st Ave & Baseline Rd.....	6:15	51st Ave & Van Buren St.....	10:45
51st Ave & Lower Buckeye Rd...	6:22	51st Ave & Lower Buckeye Rd...	10:50
51st Ave & Van Buren St.....	6:28	51st Ave & Baseline Rd.....	10:58
51st Ave & Thomas Rd.....	6:35	Vee Quiva Casino.....	11:10
51st Ave & Camelback Rd.....	6:43	Komatke Health Center.....	11:22
51st Ave & Glendale Ave.....	6:48	51st Ave & Pecos Rd.....	11:26
51st Ave & Olive Ave.....	6:55	<hr/>	
ASU West Campus.....	7:05	51 / North / 206 / 20165272	51st Ave & Pecos Rd..... 11:51
<hr/>			
51 / South / 27 / 20165764		Vee Quiva Casino.....	12:01
ASU West Campus.....	7:38	51st Ave & Baseline Rd.....	12:13
51st Ave & Olive Ave.....	7:49	51st Ave & Lower Buckeye Rd...	12:20
51st Ave & Glendale Ave.....	7:55	51st Ave & Van Buren St.....	12:27
51st Ave & Camelback Rd.....	8:00	51st Ave & Thomas Rd.....	12:35
51st Ave & Thomas Rd.....	8:07	51st Ave & Camelback Rd.....	12:43
51st Ave & Van Buren St.....	8:15	51st Ave & Glendale Ave.....	12:50
51st Ave & Lower Buckeye Rd...	8:20	51st Ave & Olive Ave.....	12:57
51st Ave & Baseline Rd.....	8:27	ASU West Campus.....	13:08
<hr/>			

Phoenix West

Effective: 01/22/2024

2019
Sunday

Duty Type	Block	Report Time	Start Place	Start Time	End Time	End Place	Clear Time	Paid Time	Seat Time
ST	2019 CAR	4:23	WEST 51VB	4:28 14:26	14:26 14:40	51VB WEST	14:40	10h17	7h29

Sign-on	4:23	51 / South / 27 / 20165787	51 / North / 206 / 20165274
		ASU West Campus.....	51st Ave & Pecos Rd.....
		9:37	13:50
Block	2019	51st Ave & Olive Ave.....	Vee Quiva Casino.....
		51st Ave & Glendale Ave.....	51st Ave & Baseline Rd.....
		9:48	14:00
		9:54	14:12
Pull Out		51st Ave & Camelback Rd.....	51st Ave & Lower Buckeye Rd...
		10:00	14:19
West Transit Facility.....	4:43	51st Ave & Thomas Rd.....	51st Ave & Van Buren St.....
51st Ave & Thomas Rd.....	5:05	51st Ave & Van Buren St.....	14:26
		51st Ave & Lower Buckeye Rd...	
		10:07	
		10:15	
		10:20	
51 / North / 206 / 20166011		51st Ave & Baseline Rd.....	Travel by
51st Ave & Thomas Rd.....	5:05	10:28	CAR
51st Ave & Camelback Rd.....	5:13		
51st Ave & Glendale Ave.....	5:18	Deadhead	Car Pull
51st Ave & Olive Ave.....	5:25	51st Ave & Baseline Rd.....	51st Ave & Van Buren St.....
ASU West Campus.....	5:35	10:28	14:26
		10:33	14:40
51 / South / 28 / 20165280		51 / North / 206 / 20165768	51st Ave & Thomas Rd.....
ASU West Campus.....	6:08	51st Ave & Baseline Rd.....	14:35
51st Ave & Olive Ave.....	6:19	51st Ave & Lower Buckeye Rd...	51st Ave & Camelback Rd.....
51st Ave & Glendale Ave.....	6:25	51st Ave & Van Buren St.....	14:43
51st Ave & Camelback Rd.....	6:30	51st Ave & Thomas Rd.....	51st Ave & Glendale Ave.....
51st Ave & Thomas Rd.....	6:37	51st Ave & Camelback Rd.....	14:50
51st Ave & Van Buren St.....	6:45	51st Ave & Glendale Ave.....	51st Ave & Olive Ave.....
51st Ave & Lower Buckeye Rd...	6:50	51st Ave & Olive Ave.....	14:57
51st Ave & Baseline Rd.....	6:57	ASU West Campus.....	ASU West Campus.....
Vee Quiva Casino.....	7:09	11:38	15:08
Komatke Health Center.....	7:21	51 / South / 28 / 20165286	
51st Ave & Pecos Rd.....	7:25	ASU West Campus.....	51 / South / 27 / 20165779
		51st Ave & Olive Ave.....	ASU West Campus.....
		12:14	15:32
		12:21	51st Ave & Olive Ave.....
		12:28	15:44
		12:37	51st Ave & Glendale Ave.....
		12:45	15:51
		12:50	51st Ave & Camelback Rd.....
		12:58	15:58
		13:10	51st Ave & Thomas Rd.....
		13:22	16:07
		51st Ave & Pecos Rd.....	51st Ave & Van Buren St.....
		13:26	16:15
			51st Ave & Lower Buckeye Rd
			16:20
			51st Ave & Baseline Rd.....
			16:28
51 / North / 206 / 20165268		51st Ave & Camelback Rd.....	
51st Ave & Pecos Rd.....	7:52	51st Ave & Thomas Rd.....	
Vee Quiva Casino.....	8:02	51st Ave & Van Buren St.....	
51st Ave & Baseline Rd.....	8:13	51st Ave & Lower Buckeye Rd...	
51st Ave & Lower Buckeye Rd...	8:20	51st Ave & Baseline Rd.....	
51st Ave & Van Buren St.....	8:27	Vee Quiva Casino.....	
51st Ave & Thomas Rd.....	8:35	Komatke Health Center.....	
51st Ave & Camelback Rd.....	8:43	51st Ave & Pecos Rd.....	
51st Ave & Glendale Ave.....	8:50	13:26	
51st Ave & Olive Ave.....	8:57		
ASU West Campus.....	9:07		

Phoenix West

Effective: 01/22/2024

2020
Sunday

Duty Type	Block	Report Time	Start Place	Start Time	End Time	End Place	Clear Time	Paid Time	Seat Time
ST	2020 CAR	4:23	WEST 75LB	4:28 13:32	13:32 13:42	75LB WEST	13:42	9h19	5h36

Sign-on	4:23	Deadhead				67 / North / 250 / 20165840			
		75th Ave & Lower Buckeye Rd		7:43		Sierra Linda HS-North.....			10:47
Block	2020	Sierra Linda HS-North.....		7:48		67th Ave & Van Buren St.....			10:54
						67th Ave & Thomas Rd.....			11:03
Pull Out		67 / North / 250 / 20165831				67th Ave & Camelback Rd.....			11:10
West Transit Facility.....	4:43	Sierra Linda HS-North.....		7:48					
59th Ave & Buckeye Rd.....	4:55	67th Ave & Van Buren St.....		7:55		Deadhead			
		67th Ave & Thomas Rd.....		8:03		67th Ave & Camelback Rd.....			11:10
59 / North / 266 / 20166009		67th Ave & Camelback Rd.....		8:10		59th Ave & Camelback Rd.....			11:13
59th Ave & Buckeye Rd.....	4:55								
59th Ave & Van Buren St.....	4:57	Deadhead				59 / South / 220 / 20165824			
59th Ave & Thomas Rd.....	5:05	67th Ave & Camelback Rd.....		8:10		59th Ave & Camelback Rd.....			11:27
59th Ave & Camelback Rd.....	5:13	59th Ave & Camelback Rd.....		8:13		59th Ave & Thomas Rd.....			11:34
						59th Ave & Van Buren St.....			11:43
Deadhead		59 / South / 220 / 20165821				59th Ave & Buckeye Rd.....			11:46
59th Ave & Camelback Rd.....	5:13	59th Ave & Camelback Rd.....		8:27					
59th Ave & Camelback Rd.....	5:17	59th Ave & Thomas Rd.....		8:34		Deadhead			
		59th Ave & Van Buren St.....		8:42		59th Ave & Buckeye Rd.....			11:46
59 / South / 220 / 20166013		59th Ave & Buckeye Rd.....		8:45		51st Ave & Hadley St.....			11:50
59th Ave & Camelback Rd.....	5:27								
59th Ave & Thomas Rd.....	5:34	Deadhead				Deadhead			
59th Ave & Van Buren St.....	5:42	59th Ave & Buckeye Rd.....		8:45		51st Ave & Hadley St.....			12:21
59th Ave & Buckeye Rd.....	5:45	51st Ave & Hadley St.....		8:49		59th Ave & Buckeye Rd.....			12:25
Deadhead		Deadhead				59 / North / 266 / 20165809			
59th Ave & Buckeye Rd.....	5:45	51st Ave & Hadley St.....		9:21		59th Ave & Buckeye Rd.....			12:25
51st Ave & Hadley St.....	5:49	59th Ave & Buckeye Rd.....		9:25		59th Ave & Van Buren St.....			12:27
						59th Ave & Thomas Rd.....			12:35
Deadhead		59 / North / 266 / 20165803				59th Ave & Camelback Rd.....			12:43
51st Ave & Hadley St.....	6:21	59th Ave & Buckeye Rd.....		9:25					
59th Ave & Buckeye Rd.....	6:25	59th Ave & Van Buren St.....		9:27		Deadhead			
		59th Ave & Thomas Rd.....		9:35		59th Ave & Camelback Rd.....			12:43
59 / North / 266 / 20165804		59th Ave & Camelback Rd.....		9:43		75th Ave & Camelback Rd.....			12:52
59th Ave & Buckeye Rd.....	6:25								
59th Ave & Van Buren St.....	6:27	Deadhead				75 / South / 149 / 20165851			
59th Ave & Thomas Rd.....	6:35	59th Ave & Camelback Rd.....		9:43		75th Ave & Camelback Rd.....			13:00
59th Ave & Camelback Rd.....	6:43	75th Ave & Camelback Rd.....		9:52		Desert Sky TC.....			13:09
						75th Ave & Van Buren St.....			13:21
Deadhead		75 / South / 149 / 20165845				75th Ave & Lower Buckeye Rd			13:25
59th Ave & Camelback Rd.....	6:43	75th Ave & Camelback Rd.....		10:00					
75th Ave & Camelback Rd.....	6:52	Desert Sky TC.....		10:08		Travel by			CAR
		75th Ave & Van Buren St.....		10:19					
75 / South / 149 / 20165850		75th Ave & Lower Buckeye Rd		10:23		Car Pull			
75th Ave & Camelback Rd.....	7:00					75th Ave & Lower Buckeye Rd			13:32
Desert Sky TC.....	7:08	Deadhead				West Transit Facility.....			13:42
75th Ave & Van Buren St.....	7:19	75th Ave & Lower Buckeye Rd		10:42					
75th Ave & Lower Buckeye Rd	7:23	Sierra Linda HS-North.....		10:47		67 / North / 250 / 20165832			
						Sierra Linda HS-North.....			13:45
						67th Ave & Van Buren St.....			13:54
						67th Ave & Thomas Rd.....			14:03
						67th Ave & Camelback Rd.....			14:10

Phoenix West

Effective: 01/22/2024

2021
Sunday

Duty Type	Block	Report Time	Start Place	Start Time	End Time	End Place	Clear Time	Paid Time	Seat Time
ST	2021	4:24	WEST	4:29	10:40	43LB			
	CAR		43LB	10:40	11:01	WEST	11:01	6h37	5h02

Sign-on	4:24	43 / South / 207 / 20165250			43 / South / 207 / 20165732				
		43rd Ave & Union Hills Dr.....	7:05		43rd Ave & Union Hills Dr.....	9:33			
Block	2021	43rd Ave & Thunderbird Rd.....	7:12		43rd Ave & Thunderbird Rd.....	9:40			
		43rd Ave & Dunlap Ave.....	7:21		43rd Ave & Dunlap Ave.....	9:50			
Pull Out		43rd Ave & Glendale Ave.....	7:27		43rd Ave & Glendale Ave.....	9:56			
West Transit Facility.....	4:44	43rd Ave & Camelback Rd.....	7:34		43rd Ave & Camelback Rd.....	10:04			
43rd Ave & Camelback Rd.....	5:04	43rd Ave & Thomas Rd.....	7:42		43rd Ave & Thomas Rd.....	10:13			
		43rd Ave & Van Buren St.....	7:50		43rd Ave & Van Buren St.....	10:21			
43 / South / 207 / 20166007		43rd Ave & Lower Buckeye Rd	7:58		43rd Ave & Lower Buckeye Rd	10:29			
43rd Ave & Camelback Rd.....	5:04								
43rd Ave & Thomas Rd.....	5:11	Deadhead			Deadhead				
43rd Ave & Van Buren St.....	5:18	43rd Ave & Lower Buckeye Rd	7:58		43rd Ave & Lower Buckeye Rd	10:29			
43rd Ave & Lower Buckeye Rd	5:26	43rd Ave & Lower Buckeye Rd	8:04		43rd Ave & Lower Buckeye Rd	10:35			
Deadhead		43 / North / 182 / 20165750			Travel by	CAR			
43rd Ave & Lower Buckeye Rd	5:26	43rd Ave & Lower Buckeye Rd	8:19						
43rd Ave & Lower Buckeye Rd	5:32	43rd Ave & Van Buren St.....	8:25		Car Pull				
		43rd Ave & Thomas Rd.....	8:33		43rd Ave & Lower Buckeye Rd	10:40			
43 / North / 182 / 20165249		43rd Ave & Camelback Rd.....	8:40		West Transit Facility.....	11:01			
43rd Ave & Lower Buckeye Rd	5:49	43rd Ave & Glendale Ave.....	8:46						
43rd Ave & Van Buren St.....	5:55	43rd Ave & Dunlap Ave.....	8:52		43 / North / 182 / 20165238				
43rd Ave & Thomas Rd.....	6:03	43rd Ave & Thunderbird Rd.....	8:59		<i>43rd Ave & Lower Buckeye Rd</i>	<i>10:46</i>			
43rd Ave & Camelback Rd.....	6:10	43rd Ave & Union Hills Dr.....	9:08		<i>43rd Ave & Van Buren St.....</i>	<i>10:52</i>			
43rd Ave & Glendale Ave.....	6:16				<i>43rd Ave & Thomas Rd.....</i>	<i>11:02</i>			
43rd Ave & Dunlap Ave.....	6:22	Deadhead			<i>43rd Ave & Camelback Rd.....</i>	<i>11:10</i>			
43rd Ave & Thunderbird Rd.....	6:29	43rd Ave & Union Hills Dr.....	9:08		<i>43rd Ave & Glendale Ave.....</i>	<i>11:17</i>			
43rd Ave & Union Hills Dr.....	6:38	43rd Ave & Union Hills Dr.....	9:15		<i>43rd Ave & Dunlap Ave.....</i>	<i>11:24</i>			
Deadhead					<i>43rd Ave & Thunderbird Rd.....</i>	<i>11:31</i>			
43rd Ave & Union Hills Dr.....	6:38				<i>43rd Ave & Union Hills Dr.....</i>	<i>11:40</i>			
43rd Ave & Union Hills Dr.....	6:45								

Phoenix West

Effective: 01/22/2024

2022
Sunday

Duty Type	Block	Report Time	Start Place	Start Time	End Time	End Place	Clear Time	Paid Time	Seat Time
ST	2022	4:25	WEST	4:30	12:42	DSTC			
	CAR		DSTC	12:42	12:56	WEST	12:56	8h31	5h50

Sign-on	4:25	67 / North / 108 / 20165202				75 / North / 147 / 20165435			
		Sierra Linda HS-North.....	7:18			75th Ave & Lower Buckeye Rd	11:25		
Block	2022	67th Ave & Van Buren St.....	7:25			75th Ave & Van Buren St.....	11:30		
		67th Ave & Thomas Rd.....	7:33			Desert Sky TC.....	11:41		
Pull Out		67th Ave & Camelback Rd.....	7:40			75th Ave & Camelback Rd.....	11:51		
West Transit Facility.....	4:45	67th Ave & Glendale Ave.....	7:49						
75th Ave & Lower Buckeye Rd	4:55	67th Ave & Olive Ave.....	7:55			Deadhead			
		67th Ave & Thunderbird Rd.....	8:04			75th Ave & Camelback Rd.....	11:51		
		67th Ave & Union Hills Dr.....	8:14			83rd Ave & Camelback Rd.....	11:54		
75 / North / 147 / 20166022		Deadhead				83 / South / 155 / 20165451			
75th Ave & Lower Buckeye Rd	4:55	67th Ave & Union Hills Dr.....	8:14			83rd Ave & Camelback Rd.....	12:02		
75th Ave & Van Buren St.....	4:59	67th Ave & Union Hills Dr.....	8:19			Desert Sky TC.....	12:11		
Desert Sky TC.....	5:07					83rd Ave & Van Buren St.....	12:21		
75th Ave & Camelback Rd.....	5:15								
Deadhead		67 / South / 254 / 20165218				Deadhead			
75th Ave & Camelback Rd.....	5:15	67th Ave & Union Hills Dr.....	8:40			83rd Ave & Van Buren St.....	12:21		
83rd Ave & Camelback Rd.....	5:18	67th Ave & Thunderbird Rd.....	8:50			83rd Ave & Van Buren St.....	12:25		
		67th Ave & Olive Ave.....	8:59						
83 / South / 155 / 20166026		67th Ave & Glendale Ave.....	9:06			83 / North / 183 / 20165856			
83rd Ave & Camelback Rd.....	5:35	67th Ave & Camelback Rd.....	9:15			83rd Ave & Van Buren St.....	12:33		
Desert Sky TC.....	5:41	67th Ave & Thomas Rd.....	9:22			Desert Sky TC.....	12:42		
83rd Ave & Van Buren St.....	5:49	67th Ave & Van Buren St.....	9:30						
		Sierra Linda HS-South.....	9:38			Travel by	CAR		
Deadhead						Car Pull			
83rd Ave & Van Buren St.....	5:49	Deadhead				Desert Sky TC.....	12:42		
83rd Ave & Van Buren St.....	5:53	Sierra Linda HS-South.....	9:38			West Transit Facility.....	12:56		
		75th Ave & Lower Buckeye Rd	9:43						
83 / North / 153 / 20165463									
83rd Ave & Van Buren St.....	6:05	75 / North / 147 / 20165920				<i>83rd Ave & Camelback Rd.....</i>	<i>12:52</i>		
Desert Sky TC.....	6:12	75th Ave & Lower Buckeye Rd	9:55			<i>83rd Ave & Glendale Ave.....</i>	<i>12:57</i>		
83rd Ave & Camelback Rd.....	6:21	75th Ave & Van Buren St.....	10:00			<i>83rd Ave & Peoria Ave.....</i>	<i>13:09</i>		
		Desert Sky TC.....	10:10			<i>83rd Ave & Thunderbird Rd.....</i>	<i>13:15</i>		
Deadhead		75th Ave & Camelback Rd.....	10:19			<i>Arrowhead Mall North.....</i>	<i>13:26</i>		
83rd Ave & Camelback Rd.....	6:21								
75th Ave & Camelback Rd.....	6:24	Deadhead							
		75th Ave & Camelback Rd.....	10:19			83 / South / 155 / 20165879			
		67th Ave & Camelback Rd.....	10:22			<i>Arrowhead Mall North.....</i>	<i>13:57</i>		
75 / South / 149 / 20165413						<i>83rd Ave & Thunderbird Rd.....</i>	<i>14:08</i>		
75th Ave & Camelback Rd.....	6:30	67 / South / 254 / 20165895				<i>83rd Ave & Peoria Ave.....</i>	<i>14:14</i>		
Desert Sky TC.....	6:38	67th Ave & Camelback Rd.....	10:45			<i>83rd Ave & Glendale Ave.....</i>	<i>14:27</i>		
75th Ave & Van Buren St.....	6:47	67th Ave & Thomas Rd.....	10:52			<i>83rd Ave & Camelback Rd.....</i>	<i>14:32</i>		
75th Ave & Lower Buckeye Rd	6:51	67th Ave & Van Buren St.....	11:00			<i>Desert Sky TC.....</i>	<i>14:41</i>		
		Sierra Linda HS-South.....	11:08			<i>83rd Ave & Van Buren St.....</i>	<i>14:51</i>		
Deadhead									
75th Ave & Lower Buckeye Rd	7:13	Deadhead							
Sierra Linda HS-North.....	7:18	Sierra Linda HS-South.....	11:08						
		75th Ave & Lower Buckeye Rd	11:13						

Phoenix West

Effective: 01/22/2024

2023
Sunday

Duty Type	Block	Report Time	Start Place	Start Time	End Time	End Place	Clear Time	Paid Time	Seat Time
ST	2023	4:25	WEST	4:30	14:26	75LB			
	CAR		75LB	14:26	14:36	WEST	14:36	10h11	6h14

Sign-on	4:25	75 / South / 149 / 20165849	67 / North / 250 / 20165842
		75th Ave & Camelback Rd.....	8:00 Sierra Linda HS-North.....
Block	2023	Desert Sky TC.....	8:08 67th Ave & Van Buren St.....
		75th Ave & Van Buren St.....	8:19 67th Ave & Thomas Rd.....
Pull Out		75th Ave & Lower Buckeye Rd	8:23 67th Ave & Camelback Rd.....
West Transit Facility.....	4:45	-----	
75th Ave & Camelback Rd.....	5:00	Deadhead	Deadhead
		75th Ave & Lower Buckeye Rd	8:42 67th Ave & Camelback Rd.....
		Sierra Linda HS-North.....	8:47 59th Ave & Camelback Rd.....
75 / South / 149 / 20166021		-----	
75th Ave & Camelback Rd.....	5:00	67 / North / 250 / 20165830	59 / South / 220 / 20165826
Desert Sky TC.....	5:08	Sierra Linda HS-North.....	8:47 59th Ave & Camelback Rd.....
75th Ave & Van Buren St.....	5:17	67th Ave & Van Buren St.....	8:54 59th Ave & Thomas Rd.....
75th Ave & Lower Buckeye Rd	5:21	67th Ave & Thomas Rd.....	9:03 59th Ave & Van Buren St.....
		67th Ave & Camelback Rd.....	9:10 59th Ave & Buckeye Rd.....
Deadhead		-----	
75th Ave & Lower Buckeye Rd	5:43	Deadhead	Deadhead
Sierra Linda HS-North.....	5:48	67th Ave & Camelback Rd.....	9:10 59th Ave & Buckeye Rd.....
		59th Ave & Camelback Rd.....	9:13 51st Ave & Hadley St.....
67 / North / 250 / 20166017		-----	
Sierra Linda HS-North.....	5:48	59 / South / 220 / 20165822	Deadhead
67th Ave & Van Buren St.....	5:55	59th Ave & Camelback Rd.....	9:27 51st Ave & Hadley St.....
67th Ave & Thomas Rd.....	6:03	59th Ave & Thomas Rd.....	9:34 59th Ave & Buckeye Rd.....
67th Ave & Camelback Rd.....	6:10	59th Ave & Van Buren St.....	9:42 59th Ave & Buckeye Rd.....
		59th Ave & Buckeye Rd.....	9:45 59 / North / 266 / 20165811
Deadhead		-----	
67th Ave & Camelback Rd.....	6:10	Deadhead	59th Ave & Buckeye Rd.....
59th Ave & Camelback Rd.....	6:13	59th Ave & Buckeye Rd.....	9:45 59th Ave & Van Buren St.....
		51st Ave & Hadley St.....	9:49 59th Ave & Thomas Rd.....
59 / South / 220 / 20165819		-----	
59th Ave & Camelback Rd.....	6:27	Deadhead	59th Ave & Camelback Rd.....
59th Ave & Thomas Rd.....	6:34	51st Ave & Hadley St.....	10:21 59th Ave & Camelback Rd.....
59th Ave & Van Buren St.....	6:42	59th Ave & Buckeye Rd.....	10:25 75th Ave & Camelback Rd.....
59th Ave & Buckeye Rd.....	6:45	-----	
		59 / North / 266 / 20165806	75 / South / 149 / 20165890
Deadhead		59th Ave & Buckeye Rd.....	10:25 75th Ave & Camelback Rd.....
59th Ave & Buckeye Rd.....	6:45	59th Ave & Van Buren St.....	10:27 Desert Sky TC.....
51st Ave & Hadley St.....	6:49	59th Ave & Thomas Rd.....	10:35 75th Ave & Van Buren St.....
		59th Ave & Camelback Rd.....	10:43 75th Ave & Lower Buckeye Rd
Deadhead		-----	
51st Ave & Hadley St.....	7:21	Deadhead	Travel by
59th Ave & Buckeye Rd.....	7:25	59th Ave & Camelback Rd.....	10:43 CAR
		75th Ave & Camelback Rd.....	10:52
59 / North / 266 / 20165801		-----	
59th Ave & Buckeye Rd.....	7:25	75 / South / 149 / 20165844	Car Pull
59th Ave & Van Buren St.....	7:27	75th Ave & Camelback Rd.....	14:26 75th Ave & Lower Buckeye Rd
59th Ave & Thomas Rd.....	7:35	Desert Sky TC.....	14:36 West Transit Facility.....
59th Ave & Camelback Rd.....	7:43	75th Ave & Van Buren St.....	67 / North / 250 / 20165837
		75th Ave & Lower Buckeye Rd	<i>Sierra Linda HS-North.....</i>
Deadhead		-----	
59th Ave & Camelback Rd.....	7:43	Deadhead	<i>67th Ave & Van Buren St.....</i>
75th Ave & Camelback Rd.....	7:52	75th Ave & Lower Buckeye Rd	<i>67th Ave & Thomas Rd.....</i>
		Sierra Linda HS-North.....	<i>67th Ave & Camelback Rd.....</i>
		11:41	<i>15:10</i>
		11:46	

Phoenix West

Effective: 01/22/2024

2024
Sunday

Duty Type	Block	Report Time	Start Place	Start Time	End Time	End Place	Clear Time	Paid Time	Seat Time
ST	2024 CAR	4:27	WEST 99MC	4:32 14:42	14:42 14:53	99MC WEST	14:53	10h26	8h44

Sign-on	4:27	Deadhead				17 / West / 253 / 20165361			
		Pima Rd & McDowell Rd.....		8:30		Pima Rd & McDowell Rd.....		13:02	
Block	2024	Pima Rd & McDowell Rd.....		8:37		Scottsdale Rd & McDowell Rd....		13:09	
						52nd St & McDowell Rd.....		13:16	
Pull Out		17 / West / 253 / 20165358				44th St & McDowell Rd.....		13:19	
West Transit Facility.....	4:47	Pima Rd & McDowell Rd.....		9:02		24th St & McDowell Rd.....		13:31	
52nd St & McDowell Rd.....	5:20	Scottsdale Rd & McDowell Rd....		9:09		Central Ave & McDowell Rd.....		13:43	
		52nd St & McDowell Rd.....		9:16		19th Ave & McDowell Rd.....		13:51	
17 / West / 253 / 20165985		44th St & McDowell Rd.....		9:19		43rd Ave & McDowell Rd.....		14:06	
52nd St & McDowell Rd.....	5:20	24th St & McDowell Rd.....		9:31		67th Ave & McDowell Rd.....		14:20	
44th St & McDowell Rd.....	5:23	Central Ave & McDowell Rd.....		9:43		83rd Ave & McDowell Rd.....		14:27	
24th St & McDowell Rd.....	5:33	19th Ave & McDowell Rd.....		9:51		99th Ave & McDowell Rd.....		14:35	
Central Ave & McDowell Rd.....	5:43	43rd Ave & McDowell Rd.....		10:06					
19th Ave & McDowell Rd.....	5:49	67th Ave & McDowell Rd.....		10:20		Deadhead			
43rd Ave & McDowell Rd.....	6:01	83rd Ave & McDowell Rd.....		10:27		99th Ave & McDowell Rd.....		14:35	
67th Ave & McDowell Rd.....	6:12	99th Ave & McDowell Rd.....		10:35		99th Ave & McDowell Rd.....		14:42	
83rd Ave & McDowell Rd.....	6:19								
99th Ave & McDowell Rd.....	6:27	Deadhead				Travel by		CAR	
		99th Ave & McDowell Rd.....		10:35					
Deadhead		99th Ave & McDowell Rd.....		10:42		Car Pull			
99th Ave & McDowell Rd.....	6:27					99th Ave & McDowell Rd.....		14:42	
99th Ave & McDowell Rd.....	6:34	17 / East / 132 / 20165346				West Transit Facility.....		14:53	
		99th Ave & McDowell Rd.....		10:54					
17 / East / 132 / 20165341		83rd Ave & McDowell Rd.....		11:02		17 / East / 132 / 20165347			
99th Ave & McDowell Rd.....	6:54	67th Ave & McDowell Rd.....		11:09		99th Ave & McDowell Rd.....		14:54	
83rd Ave & McDowell Rd.....	7:02	43rd Ave & McDowell Rd.....		11:22		83rd Ave & McDowell Rd.....		15:02	
67th Ave & McDowell Rd.....	7:09	19th Ave & McDowell Rd.....		11:37		67th Ave & McDowell Rd.....		15:09	
43rd Ave & McDowell Rd.....	7:22	Central Ave & McDowell Rd.....		11:47		43rd Ave & McDowell Rd.....		15:22	
19th Ave & McDowell Rd.....	7:37	24th St & McDowell Rd.....		11:59		19th Ave & McDowell Rd.....		15:37	
Central Ave & McDowell Rd.....	7:47	44th St & McDowell Rd.....		12:11		Central Ave & McDowell Rd....		15:47	
24th St & McDowell Rd.....	7:59	52nd St & McDowell Rd.....		12:14		24th St & McDowell Rd.....		15:59	
44th St & McDowell Rd.....	8:11	Scottsdale Rd & McDowell Rd....		12:22		44th St & McDowell Rd.....		16:11	
52nd St & McDowell Rd.....	8:14	Pima Rd & McDowell Rd.....		12:30		52nd St & McDowell Rd.....		16:14	
Scottsdale Rd & McDowell Rd....	8:22					Scottsdale Rd & McDowell Rd		16:22	
Pima Rd & McDowell Rd.....	8:30	Deadhead				Pima Rd & McDowell Rd.....		16:30	
		Pima Rd & McDowell Rd.....		12:30					
		Pima Rd & McDowell Rd.....		12:37					

Phoenix West

Effective: 01/22/2024

2025
Sunday

Duty Type	Block	Report Time	Start Place	Start Time	End Time	End Place	Clear Time	Paid Time	Seat Time
ST	2025	4:29	WEST	4:34	14:38	ASUW	15:13	10h44	8h12
	CAR		ASUW	14:38	15:13	WEST			

Sign-on	4:29	51 / South / 28 / 20165284				Deadhead			
		ASU West Campus.....	9:07			51st Ave & Baseline Rd.....		13:28	
Block	2025	51st Ave & Olive Ave.....	9:18			51st Ave & Baseline Rd.....		13:33	
		51st Ave & Glendale Ave.....	9:24						
Pull Out		51st Ave & Camelback Rd.....	9:30			51 / North / 206 / 20165758			
West Transit Facility.....	4:49	51st Ave & Thomas Rd.....	9:37			51st Ave & Baseline Rd.....		13:42	
51st Ave & Baseline Rd.....	5:15	51st Ave & Van Buren St.....	9:45			51st Ave & Lower Buckeye Rd...		13:49	
		51st Ave & Lower Buckeye Rd...	9:50			51st Ave & Van Buren St.....		13:56	
51 / North / 206 / 20166010		51st Ave & Baseline Rd.....	9:58			51st Ave & Thomas Rd.....		14:05	
51st Ave & Baseline Rd.....	5:15	Vee Quiva Casino.....	10:10			51st Ave & Camelback Rd.....		14:13	
51st Ave & Lower Buckeye Rd...	5:22	Komatke Health Center.....	10:22			51st Ave & Glendale Ave.....		14:20	
51st Ave & Van Buren St.....	5:28	51st Ave & Pecos Rd.....	10:26			51st Ave & Olive Ave.....		14:27	
51st Ave & Thomas Rd.....	5:35					ASU West Campus.....		14:38	
51st Ave & Camelback Rd.....	5:43	51 / North / 206 / 20165267							
51st Ave & Glendale Ave.....	5:48	51st Ave & Pecos Rd.....	10:51			Travel by		CAR	
51st Ave & Olive Ave.....	5:55	Vee Quiva Casino.....	11:01			Car Pull			
ASU West Campus.....	6:05	51st Ave & Baseline Rd.....	11:13			ASU West Campus.....		14:38	
		51st Ave & Lower Buckeye Rd...	11:20			West Transit Facility.....		15:13	
51 / South / 27 / 20165770		51st Ave & Van Buren St.....	11:27						
ASU West Campus.....	6:38	51st Ave & Thomas Rd.....	11:35			51 / South / 28 / 20165289			
51st Ave & Olive Ave.....	6:49	51st Ave & Camelback Rd.....	11:43			<i>ASU West Campus.....</i>		<i>15:02</i>	
51st Ave & Glendale Ave.....	6:55	51st Ave & Glendale Ave.....	11:50			<i>51st Ave & Olive Ave.....</i>		<i>15:14</i>	
51st Ave & Camelback Rd.....	7:00	51st Ave & Olive Ave.....	11:57			<i>51st Ave & Glendale Ave.....</i>		<i>15:21</i>	
51st Ave & Thomas Rd.....	7:07	ASU West Campus.....	12:08			<i>51st Ave & Camelback Rd.....</i>		<i>15:28</i>	
51st Ave & Van Buren St.....	7:15					<i>51st Ave & Thomas Rd.....</i>		<i>15:37</i>	
51st Ave & Lower Buckeye Rd...	7:20	51 / South / 27 / 20165780				<i>51st Ave & Van Buren St.....</i>		<i>15:45</i>	
51st Ave & Baseline Rd.....	7:27	ASU West Campus.....	12:32			<i>51st Ave & Lower Buckeye Rd</i>		<i>15:50</i>	
		51st Ave & Olive Ave.....	12:44			<i>51st Ave & Baseline Rd.....</i>		<i>15:58</i>	
Deadhead		51st Ave & Glendale Ave.....	12:51			<i>Vee Quiva Casino.....</i>		<i>16:10</i>	
51st Ave & Baseline Rd.....	7:27	51st Ave & Camelback Rd.....	12:58			<i>Komatke Health Center.....</i>		<i>16:22</i>	
51st Ave & Baseline Rd.....	7:32	51st Ave & Thomas Rd.....	13:07			<i>51st Ave & Pecos Rd.....</i>		<i>16:26</i>	
		51st Ave & Van Buren St.....	13:15						
51 / North / 206 / 20165769		51st Ave & Lower Buckeye Rd...	13:20						
51st Ave & Baseline Rd.....	7:43	51st Ave & Baseline Rd.....	13:28						
51st Ave & Lower Buckeye Rd...	7:50								
51st Ave & Van Buren St.....	7:57								
51st Ave & Thomas Rd.....	8:05								
51st Ave & Camelback Rd.....	8:13								
51st Ave & Glendale Ave.....	8:20								
51st Ave & Olive Ave.....	8:27								
ASU West Campus.....	8:37								

Phoenix West

Effective: 01/22/2024

2026
Sunday

Duty Type	Block	Report Time	Start Place	Start Time	End Time	End Place	Clear Time	Paid Time	Seat Time
ST	2026 CAR	4:29	WEST PHZO	4:34 14:06	14:06 14:43	PHZO WEST	14:43	10h14	8h24

Sign-on	4:29	3 / West / 104 / 20165638	Deadhead
		Phoenix Zoo.....	83rd Ave & Van Buren St.....
			12:31
Block	2026	Galvin Pkwy & Van Buren St.....	8:24
		44th St & Van Buren St.....	8:30
		24th St & Van Buren St.....	8:38
Pull Out		3 / East / 86 / 20165614	
West Transit Facility.....	4:49	2nd Ave & Van Buren St.....	8:50
Galvin Pkwy & Van Buren St...	5:24	19th Ave & Van Buren St.....	8:58
		35th Ave & Van Buren St.....	9:07
		51st Ave & Van Buren St.....	9:16
		67th Ave & Van Buren St.....	9:23
		83rd Ave & Van Buren St.....	9:31
		Central Ave & Van Buren St.....	13:35
		24th St & Van Buren St.....	13:46
		44th St & Van Buren St.....	13:55
		Galvin Pkwy & Van Buren St.....	14:02
		Phoenix Zoo.....	14:06
		3 / West / 104 / 20165655	
Galvin Pkwy & Van Buren St...	5:24	67th Ave & Van Buren St.....	9:31
		44th St & Van Buren St.....	10:00
		24th St & Van Buren St.....	10:09
		2nd Ave & Van Buren St.....	10:18
		19th Ave & Van Buren St.....	10:26
		35th Ave & Van Buren St.....	10:35
		51st Ave & Van Buren St.....	10:46
		67th Ave & Van Buren St.....	10:55
		83rd Ave & Van Buren St.....	11:06
		Central Ave & Van Buren St.....	11:06
		24th St & Van Buren St.....	11:24
		44th St & Van Buren St.....	11:30
		Galvin Pkwy & Van Buren St.....	11:38
		Phoenix Zoo.....	11:50
		2nd Ave & Van Buren St.....	11:58
		19th Ave & Van Buren St.....	12:07
		35th Ave & Van Buren St.....	12:16
		51st Ave & Van Buren St.....	12:23
		67th Ave & Van Buren St.....	12:31
		83rd Ave & Van Buren St.....	12:31
		3 / East / 86 / 20165607	
		83rd Ave & Van Buren St.....	9:55
		67th Ave & Van Buren St.....	10:00
		51st Ave & Van Buren St.....	10:09
		35th Ave & Van Buren St.....	10:18
		19th Ave & Van Buren St.....	10:26
		Central Ave & Van Buren St.....	10:35
		24th St & Van Buren St.....	10:46
		44th St & Van Buren St.....	10:55
		Galvin Pkwy & Van Buren St.....	11:02
		Phoenix Zoo.....	11:06
		3 / West / 104 / 20165642	
		Phoenix Zoo.....	11:21
		Galvin Pkwy & Van Buren St.....	11:24
		44th St & Van Buren St.....	11:30
		24th St & Van Buren St.....	11:38
		2nd Ave & Van Buren St.....	11:50
		19th Ave & Van Buren St.....	11:58
		35th Ave & Van Buren St.....	12:07
		51st Ave & Van Buren St.....	12:16
		67th Ave & Van Buren St.....	12:23
		83rd Ave & Van Buren St.....	12:31
		3 / East / 86 / 20165609	
		83rd Ave & Van Buren St.....	6:55
		67th Ave & Van Buren St.....	7:00
		51st Ave & Van Buren St.....	7:09
		35th Ave & Van Buren St.....	7:18
		19th Ave & Van Buren St.....	7:26
		Central Ave & Van Buren St.....	7:35
		24th St & Van Buren St.....	7:46
		44th St & Van Buren St.....	7:55
		Galvin Pkwy & Van Buren St.....	8:02
		Phoenix Zoo.....	8:06
		3 / West / 104 / 20165641	
		Phoenix Zoo.....	14:21
		Galvin Pkwy & Van Buren St...	14:24
		44th St & Van Buren St.....	14:30
		24th St & Van Buren St.....	14:38
		2nd Ave & Van Buren St.....	14:50
		19th Ave & Van Buren St.....	14:58
		35th Ave & Van Buren St.....	15:07
		51st Ave & Van Buren St.....	15:16
		67th Ave & Van Buren St.....	15:23
		83rd Ave & Van Buren St.....	15:31

Phoenix West

Effective: 01/22/2024

2027
Sunday

Duty Type	Block	Report Time	Start Place	Start Time	End Time	End Place	Clear Time	Paid Time	Seat Time
TRP	2027	4:30	WEST	4:35	9:35	43LB			
	CAR		43LB	9:35	9:56	WEST	9:56	5h26	4h11

Sign-on	4:30	Deadhead			Deadhead				
		43rd Ave & Lower Buckeye Rd		6:57	43rd Ave & Lower Buckeye Rd			9:29	
Block	2027	43rd Ave & Lower Buckeye Rd		7:03	43rd Ave & Lower Buckeye Rd			9:35	
Pull Out		43 / North / 182 / 20165747			Travel by				CAR
West Transit Facility.....	4:50	43rd Ave & Lower Buckeye Rd		7:19					
43rd Ave & Camelback Rd.....	5:10	43rd Ave & Van Buren St.....		7:25	Car Pull				
		43rd Ave & Thomas Rd.....		7:33	43rd Ave & Lower Buckeye Rd			9:35	
		43rd Ave & Camelback Rd.....		7:40	West Transit Facility.....			9:56	
43 / North / 182 / 20166005		43rd Ave & Glendale Ave.....		7:46					
43rd Ave & Camelback Rd.....	5:10	43rd Ave & Dunlap Ave.....		7:52	43 / North / 182 / 20165237				
43rd Ave & Glendale Ave.....	5:16	43rd Ave & Thunderbird Rd.....		7:59	<i>43rd Ave & Lower Buckeye Rd</i>			9:46	
43rd Ave & Dunlap Ave.....	5:22	43rd Ave & Union Hills Dr.....		8:08	<i>43rd Ave & Van Buren St.....</i>			9:52	
43rd Ave & Thunderbird Rd.....	5:29				<i>43rd Ave & Thomas Rd.....</i>			10:02	
43rd Ave & Union Hills Dr.....	5:38	Deadhead			<i>43rd Ave & Camelback Rd.....</i>			10:10	
		43rd Ave & Union Hills Dr.....		8:08	<i>43rd Ave & Glendale Ave.....</i>			10:17	
Deadhead		43rd Ave & Union Hills Dr.....		8:15	<i>43rd Ave & Dunlap Ave.....</i>			10:24	
43rd Ave & Union Hills Dr.....	5:38				<i>43rd Ave & Thunderbird Rd.....</i>			10:31	
43rd Ave & Union Hills Dr.....	5:45				<i>43rd Ave & Union Hills Dr.....</i>			10:40	
		43 / South / 207 / 20165733							
43 / South / 207 / 20165233		43rd Ave & Union Hills Dr.....		8:34					
43rd Ave & Union Hills Dr.....	6:05	43rd Ave & Thunderbird Rd.....		8:41					
43rd Ave & Thunderbird Rd.....	6:12	43rd Ave & Dunlap Ave.....		8:51					
43rd Ave & Dunlap Ave.....	6:21	43rd Ave & Glendale Ave.....		8:57					
43rd Ave & Glendale Ave.....	6:27	43rd Ave & Camelback Rd.....		9:04					
43rd Ave & Camelback Rd.....	6:34	43rd Ave & Thomas Rd.....		9:13					
43rd Ave & Thomas Rd.....	6:41	43rd Ave & Van Buren St.....		9:21					
43rd Ave & Van Buren St.....	6:49	43rd Ave & Lower Buckeye Rd		9:29					
43rd Ave & Lower Buckeye Rd	6:57								

Phoenix West

Effective: 01/22/2024

2028
Sunday

Duty Type	Block	Report Time	Start Place	Start Time	End Time	End Place	Clear Time	Paid Time	Seat Time
ST	2028	4:30	WEST	4:35	14:11	DSTC			
	CAR		DSTC	14:11	14:25	WEST	14:25	9h55	7h05

Sign-on	4:30	83 / North / 153 / 20165461			75 / North / 147 / 20165918				
		83rd Ave & Van Buren St.....	8:04		75th Ave & Lower Buckeye Rd		11:55		
Block	2028	Desert Sky TC.....	8:12		75th Ave & Van Buren St.....		12:00		
		83rd Ave & Camelback Rd.....	8:21		Desert Sky TC.....		12:12		
Pull Out		-----			75th Ave & Camelback Rd.....		12:22		
West Transit Facility.....	4:50	Deadhead			-----				
83rd Ave & Camelback Rd.....	5:05	83rd Ave & Camelback Rd.....	8:21		Deadhead				
		75th Ave & Camelback Rd.....	8:24		75th Ave & Camelback Rd.....		12:22		
		-----			67th Ave & Camelback Rd.....		12:25		
83 / South / 155 / 20166027		75 / South / 149 / 20165415			-----				
83rd Ave & Camelback Rd.....	5:05	75th Ave & Camelback Rd.....	8:30		67 / South / 254 / 20165897				
Desert Sky TC.....	5:11	Desert Sky TC.....	8:38		67th Ave & Camelback Rd.....		12:45		
83rd Ave & Van Buren St.....	5:19	75th Ave & Van Buren St.....	8:49		67th Ave & Thomas Rd.....		12:52		
		75th Ave & Lower Buckeye Rd	8:53		67th Ave & Van Buren St.....		13:02		
Deadhead		-----			Sierra Linda HS-South.....		13:11		
83rd Ave & Van Buren St.....	5:19	Deadhead			-----				
83rd Ave & Van Buren St.....	5:23	75th Ave & Lower Buckeye Rd	9:12		Deadhead				
		Sierra Linda HS-North.....	9:17		Sierra Linda HS-South.....		13:11		
83 / North / 183 / 20166023		-----			75th Ave & Lower Buckeye Rd		13:16		
83rd Ave & Van Buren St.....	5:35	67 / North / 108 / 20165204			-----				
Desert Sky TC.....	5:42	Sierra Linda HS-North.....	9:17		75 / North / 147 / 20165437				
83rd Ave & Camelback Rd.....	5:51	67th Ave & Van Buren St.....	9:24		75th Ave & Lower Buckeye Rd		13:25		
83rd Ave & Glendale Ave.....	5:56	67th Ave & Thomas Rd.....	9:33		75th Ave & Van Buren St.....		13:31		
83rd Ave & Peoria Ave.....	6:06	67th Ave & Camelback Rd.....	9:40		Desert Sky TC.....		13:43		
83rd Ave & Thunderbird Rd.....	6:12	67th Ave & Glendale Ave.....	9:50		75th Ave & Camelback Rd.....		13:53		
Arrowhead Mall North.....	6:21	67th Ave & Olive Ave.....	9:56		-----				
		67th Ave & Thunderbird Rd.....	10:06		Deadhead				
Deadhead		67th Ave & Union Hills Dr.....	10:16		75th Ave & Camelback Rd.....		13:53		
Arrowhead Mall North.....	6:21	-----			83rd Ave & Camelback Rd.....		13:56		
Arrowhead Mall Layover.....	6:23	Deadhead			-----				
		67th Ave & Union Hills Dr.....	10:16		83 / South / 155 / 20165453				
		67th Ave & Union Hills Dr.....	10:21		83rd Ave & Camelback Rd.....		14:02		
Deadhead		-----			Desert Sky TC.....		14:11		
Arrowhead Mall Layover.....	7:01	67 / South / 254 / 20165221			-----				
Arrowhead Mall North.....	7:03	67th Ave & Union Hills Dr.....	10:39		Travel by		CAR		
		67th Ave & Thunderbird Rd.....	10:50		-----				
83 / South / 155 / 20165886		67th Ave & Olive Ave.....	10:59		Car Pull				
Arrowhead Mall North.....	7:03	67th Ave & Glendale Ave.....	11:06		Desert Sky TC.....		14:11		
83rd Ave & Thunderbird Rd.....	7:13	67th Ave & Camelback Rd.....	11:15		West Transit Facility.....		14:25		
83rd Ave & Peoria Ave.....	7:19	67th Ave & Thomas Rd.....	11:22		-----				
83rd Ave & Glendale Ave.....	7:30	67th Ave & Van Buren St.....	11:30		83rd Ave & Van Buren St.....		14:21		
83rd Ave & Camelback Rd.....	7:35	Sierra Linda HS-South.....	11:38		-----				
Desert Sky TC.....	7:41	-----			83 / North / 183 / 20165854				
83rd Ave & Van Buren St.....	7:50	Deadhead			83rd Ave & Van Buren St.....		14:33		
		Sierra Linda HS-South.....	11:38		Desert Sky TC.....		14:42		
Deadhead		75th Ave & Lower Buckeye Rd	11:43		83rd Ave & Camelback Rd.....		14:52		
83rd Ave & Van Buren St.....	7:54	-----			83rd Ave & Glendale Ave.....		14:57		
		-----			83rd Ave & Peoria Ave.....		15:09		
		-----			83rd Ave & Thunderbird Rd.....		15:15		
		-----			Arrowhead Mall North.....		15:26		

Phoenix West

Effective: 01/22/2024

2029
Sunday

Duty Type	Block	Report Time	Start Place	Start Time	End Time	End Place	Clear Time	Paid Time	Seat Time
ST	2029	4:30	WEST	4:35	14:29	75BU			
	CAR		75BU	14:29	14:39	WEST	14:39	10h09	7h02

Sign-on	4:30	Deadhead	Deadhead
		Buckeye Rd & 75th Av Westb	8:24
Block	2029	75th Ave & Buckeye Rd.....	8:28
<hr/>			
Pull Out		13 / East / 36 / 20165386	13 / East / 36 / 20165394
West Transit Facility.....	4:50	75th Ave & Buckeye Rd.....	9:00
75th Ave & Buckeye Rd.....	5:00	59th Ave & Buckeye Rd.....	9:04
		43rd Ave & Buckeye Rd.....	9:09
		19th Ave & Buckeye Rd.....	9:19
		Central Ave & Buckeye Rd.....	9:25
		16th St & Buckeye Rd.....	9:30
		Sky Harbor West.....	9:37
		13 / West / 120 / 20165688	13 / West / 120 / 20165691
		Sky Harbor West.....	9:45
		16th St & Buckeye Rd.....	9:51
		Central Ave & Buckeye Rd.....	9:56
		19th Ave & Buckeye Rd.....	10:03
		43rd Ave & Buckeye Rd.....	10:13
		59th Ave & Buckeye Rd.....	10:18
		Buckeye Rd & 75th Av Westb	10:24
		Deadhead	Deadhead
		Buckeye Rd & 75th Av Westb	10:24
		75th Ave & Buckeye Rd.....	10:28
		13 / East / 36 / 20165389	Travel by
		75th Ave & Buckeye Rd.....	CAR
		59th Ave & Buckeye Rd.....	
		43rd Ave & Buckeye Rd.....	Car Pull
		19th Ave & Buckeye Rd.....	75th Ave & Buckeye Rd.....
		Central Ave & Buckeye Rd.....	14:29
		Sky Harbor West.....	14:39
		13 / East / 36 / 20165391	13 / East / 36 / 20165387
		75th Ave & Buckeye Rd.....	7:00
		59th Ave & Buckeye Rd.....	7:04
		43rd Ave & Buckeye Rd.....	7:09
		19th Ave & Buckeye Rd.....	7:19
		Central Ave & Buckeye Rd.....	7:25
		16th St & Buckeye Rd.....	7:30
		Sky Harbor West.....	7:37
		13 / West / 120 / 20165690	13 / West / 120 / 20165682
		Sky Harbor West.....	7:45
		16th St & Buckeye Rd.....	7:51
		Central Ave & Buckeye Rd.....	7:56
		19th Ave & Buckeye Rd.....	8:03
		43rd Ave & Buckeye Rd.....	8:13
		59th Ave & Buckeye Rd.....	8:18
		Buckeye Rd & 75th Av Westb	8:24
		13 / West / 120 / 20165688	13 / West / 120 / 20165690
		Sky Harbor West.....	11:45
		16th St & Buckeye Rd.....	11:52
		Central Ave & Buckeye Rd.....	11:57
		19th Ave & Buckeye Rd.....	12:03
		43rd Ave & Buckeye Rd.....	12:13
		59th Ave & Buckeye Rd.....	12:19
		Buckeye Rd & 75th Av Westb	12:25
		13 / East / 36 / 20165387	13 / East / 36 / 20165387
		75th Ave & Buckeye Rd.....	15:00
		59th Ave & Buckeye Rd.....	15:04
		43rd Ave & Buckeye Rd.....	15:09
		19th Ave & Buckeye Rd.....	15:19
		Central Ave & Buckeye Rd.....	15:25
		16th St & Buckeye Rd.....	15:30
		Sky Harbor West.....	15:37

Phoenix West

Effective: 01/22/2024

2030
Sunday

Duty Type	Block	Report Time	Start Place	Start Time	End Time	End Place	Clear Time	Paid Time	Seat Time
ST	2030 CAR	4:30	WEST 83VB	4:35 10:35	10:35 10:42	83VB WEST	10:42	6h12	5h03

Sign-on	4:30	Deadhead	Deadhead
		83rd Ave & Van Buren St.....	7:31 83rd Ave & Van Buren St..... 10:31
Block	2030	83rd Ave & Van Buren St.....	7:35 83rd Ave & Van Buren St..... 10:35
Pull Out		3 / East / 86 / 20165605	Travel by CAR
West Transit Facility.....	4:50	83rd Ave & Van Buren St.....	7:55
83rd Ave & Van Buren St.....	4:55	67th Ave & Van Buren St.....	8:00
		51st Ave & Van Buren St.....	8:09
		35th Ave & Van Buren St.....	8:18
		19th Ave & Van Buren St.....	8:26
		Central Ave & Van Buren St.....	8:35
		24th St & Van Buren St.....	8:46
		44th St & Van Buren St.....	8:55
		Galvin Pkwy & Van Buren St.....	9:02
		Phoenix Zoo.....	9:06
		3 / West / 104 / 20165986	3 / East / 86 / 20165612
83rd Ave & Van Buren St.....	4:55	67th Ave & Van Buren St.....	10:55
67th Ave & Van Buren St.....	5:00	51st Ave & Van Buren St.....	11:00
51st Ave & Van Buren St.....	5:09	35th Ave & Van Buren St.....	11:09
35th Ave & Van Buren St.....	5:18	19th Ave & Van Buren St.....	11:18
19th Ave & Van Buren St.....	5:26	Central Ave & Van Buren St.....	11:26
Central Ave & Van Buren St.....	5:35	24th St & Van Buren St.....	11:35
24th St & Van Buren St.....	5:46	44th St & Van Buren St.....	11:55
44th St & Van Buren St.....	5:55	Galvin Pkwy & Van Buren St.....	12:02
Galvin Pkwy & Van Buren St...	6:02	Phoenix Zoo.....	12:06
		3 / West / 104 / 20165639	
Deadhead		Galvin Pkwy & Van Buren St.....	9:24
Galvin Pkwy & Van Buren St...	6:02	44th St & Van Buren St.....	9:30
Phoenix Zoo.....	6:07	24th St & Van Buren St.....	9:38
		2nd Ave & Van Buren St.....	9:50
		19th Ave & Van Buren St.....	9:58
		35th Ave & Van Buren St.....	10:07
		51st Ave & Van Buren St.....	10:16
		67th Ave & Van Buren St.....	10:23
		83rd Ave & Van Buren St.....	10:31
		3 / West / 104 / 20165636	
Phoenix Zoo.....	6:21	Galvin Pkwy & Van Buren St.....	6:24
Galvin Pkwy & Van Buren St.....	6:24	44th St & Van Buren St.....	6:30
44th St & Van Buren St.....	6:30	24th St & Van Buren St.....	6:38
24th St & Van Buren St.....	6:38	2nd Ave & Van Buren St.....	6:50
2nd Ave & Van Buren St.....	6:50	19th Ave & Van Buren St.....	6:58
19th Ave & Van Buren St.....	6:58	35th Ave & Van Buren St.....	7:07
35th Ave & Van Buren St.....	7:07	51st Ave & Van Buren St.....	7:16
51st Ave & Van Buren St.....	7:16	67th Ave & Van Buren St.....	7:23
67th Ave & Van Buren St.....	7:23	83rd Ave & Van Buren St.....	7:31
83rd Ave & Van Buren St.....	7:31		

Phoenix West

Effective: 01/22/2024

2031
Sunday

Duty Type	Block	Report Time	Start Place	Start Time	End Time	End Place	Clear Time	Paid Time	Seat Time
ST	2031	4:31	WEST	4:36	13:41	44MC			
	CAR		44MC	13:41	14:11	WEST	14:11	9h40	8h22

Sign-on	4:31	Deadhead		Deadhead	
		99th Ave & McDowell Rd.....	8:05	99th Ave & McDowell Rd.....	12:05
Block	2031	99th Ave & McDowell Rd.....	8:12	99th Ave & McDowell Rd.....	12:12
<hr/>					
Pull Out		17 / East / 132 / 20165328		17 / East / 132 / 20165333	
West Transit Facility.....	4:51	99th Ave & McDowell Rd.....	8:24	99th Ave & McDowell Rd.....	12:24
99th Ave & McDowell Rd.....	5:01	83rd Ave & McDowell Rd.....	8:32	83rd Ave & McDowell Rd.....	12:32
		67th Ave & McDowell Rd.....	8:39	67th Ave & McDowell Rd.....	12:39
		43rd Ave & McDowell Rd.....	8:52	43rd Ave & McDowell Rd.....	12:52
17 / East / 255 / 20165994		19th Ave & McDowell Rd.....	9:07	19th Ave & McDowell Rd.....	13:07
99th Ave & McDowell Rd.....	5:01	Central Ave & McDowell Rd.....	9:17	Central Ave & McDowell Rd.....	13:17
83rd Ave & McDowell Rd.....	5:09	24th St & McDowell Rd.....	9:29	24th St & McDowell Rd.....	13:29
67th Ave & McDowell Rd.....	5:16	44th St & McDowell Rd.....	9:41	44th St & McDowell Rd.....	13:41
43rd Ave & McDowell Rd.....	5:27	52nd St & McDowell Rd.....	9:44		
19th Ave & McDowell Rd.....	5:39	Scottsdale Rd & McDowell Rd....	9:52	Travel by	CAR
Central Ave & McDowell Rd.....	5:47	Pima Rd & McDowell Rd.....	10:00		
24th St & McDowell Rd.....	5:57			Car Pull	
44th St & McDowell Rd.....	6:07	Deadhead		44th St & McDowell Rd.....	13:41
52nd St & McDowell Rd.....	6:10	Pima Rd & McDowell Rd.....	10:00	West Transit Facility.....	14:11
		Pima Rd & McDowell Rd.....	10:07		
Deadhead				52nd St & McDowell Rd.....	13:44
52nd St & McDowell Rd.....	6:10	17 / West / 253 / 20165374		Scottsdale Rd & McDowell Rd	13:52
Pima Rd & McDowell Rd.....	6:25	Pima Rd & McDowell Rd.....	10:32	Pima Rd & McDowell Rd.....	14:00
		Scottsdale Rd & McDowell Rd....	10:39		
17 / West / 253 / 20165368		52nd St & McDowell Rd.....	10:46	17 / West / 253 / 20165376	
Pima Rd & McDowell Rd.....	6:34	44th St & McDowell Rd.....	10:49	Pima Rd & McDowell Rd.....	14:32
Scottsdale Rd & McDowell Rd....	6:41	24th St & McDowell Rd.....	11:01	Scottsdale Rd & McDowell Rd	14:39
52nd St & McDowell Rd.....	6:48	Central Ave & McDowell Rd.....	11:13	52nd St & McDowell Rd.....	14:46
44th St & McDowell Rd.....	6:51	19th Ave & McDowell Rd.....	11:21	44th St & McDowell Rd.....	14:49
24th St & McDowell Rd.....	7:01	43rd Ave & McDowell Rd.....	11:36	24th St & McDowell Rd.....	15:01
Central Ave & McDowell Rd.....	7:13	67th Ave & McDowell Rd.....	11:50	Central Ave & McDowell Rd....	15:13
19th Ave & McDowell Rd.....	7:21	83rd Ave & McDowell Rd.....	11:57	19th Ave & McDowell Rd.....	15:21
43rd Ave & McDowell Rd.....	7:36	99th Ave & McDowell Rd.....	12:05	43rd Ave & McDowell Rd.....	15:36
67th Ave & McDowell Rd.....	7:50			67th Ave & McDowell Rd.....	15:50
83rd Ave & McDowell Rd.....	7:57			83rd Ave & McDowell Rd.....	15:57
99th Ave & McDowell Rd.....	8:05			99th Ave & McDowell Rd.....	16:05

Phoenix West

Effective: 01/22/2024

2032
Sunday

Duty Type	Block	Report Time	Start Place	Start Time	End Time	End Place	Clear Time	Paid Time	Seat Time
ST	2032	4:36	WEST	4:41	13:59	75BU	14:09	9h33	6h33
	CAR		75BU	13:59	14:09	WEST			

Sign-on	4:36	13 / East / 36 / 20165670				Deadhead			
		75th Ave & Buckeye Rd.....	8:30			Buckeye Rd & 75th Av Westb	11:54		
Block	2032	59th Ave & Buckeye Rd.....	8:34			75th Ave & Buckeye Rd.....	11:58		
		43rd Ave & Buckeye Rd.....	8:39						
Pull Out		19th Ave & Buckeye Rd.....	8:49			13 / East / 36 / 20165668			
West Transit Facility.....	4:56	Central Ave & Buckeye Rd.....	8:55			75th Ave & Buckeye Rd.....	12:30		
Sky Harbor West.....	5:15	16th St & Buckeye Rd.....	9:00			59th Ave & Buckeye Rd.....	12:34		
		Sky Harbor West.....	9:07			43rd Ave & Buckeye Rd.....	12:39		
		13 / West / 120 / 20165987				19th Ave & Buckeye Rd.....	12:49		
Sky Harbor West.....	5:15	13 / West / 120 / 20165404				Central Ave & Buckeye Rd.....	12:55		
16th St & Buckeye Rd.....	5:21	Sky Harbor West.....	9:15			16th St & Buckeye Rd.....	13:00		
Central Ave & Buckeye Rd.....	5:26	16th St & Buckeye Rd.....	9:21			Sky Harbor West.....	13:07		
19th Ave & Buckeye Rd.....	5:33	Central Ave & Buckeye Rd.....	9:26						
43rd Ave & Buckeye Rd.....	5:43	19th Ave & Buckeye Rd.....	9:33			13 / West / 120 / 20165410			
59th Ave & Buckeye Rd.....	5:48	43rd Ave & Buckeye Rd.....	9:43			Sky Harbor West.....	13:15		
Buckeye Rd & 75th Av Westb	5:54	59th Ave & Buckeye Rd.....	9:48			16th St & Buckeye Rd.....	13:22		
		Buckeye Rd & 75th Av Westb	9:54			Central Ave & Buckeye Rd.....	13:27		
Deadhead						19th Ave & Buckeye Rd.....	13:33		
Buckeye Rd & 75th Av Westb	5:54	Deadhead				43rd Ave & Buckeye Rd.....	13:43		
75th Ave & Buckeye Rd.....	5:58	Buckeye Rd & 75th Av Westb	9:54			59th Ave & Buckeye Rd.....	13:49		
		75th Ave & Buckeye Rd.....	9:58			Buckeye Rd & 75th Av Westb	13:55		
		13 / East / 36 / 20165674				75th Ave & Buckeye Rd.....	13:59		
75th Ave & Buckeye Rd.....	6:30	13 / East / 36 / 20165672							
59th Ave & Buckeye Rd.....	6:34	75th Ave & Buckeye Rd.....	10:30			Deadhead			
43rd Ave & Buckeye Rd.....	6:39	59th Ave & Buckeye Rd.....	10:34			Buckeye Rd & 75th Av Westb	13:55		
19th Ave & Buckeye Rd.....	6:49	43rd Ave & Buckeye Rd.....	10:39			75th Ave & Buckeye Rd.....	13:59		
Central Ave & Buckeye Rd.....	6:55	19th Ave & Buckeye Rd.....	10:49						
16th St & Buckeye Rd.....	7:00	Central Ave & Buckeye Rd.....	10:55			Travel by	CAR		
Sky Harbor West.....	7:07	16th St & Buckeye Rd.....	11:00			Car Pull			
		Sky Harbor West.....	11:07			75th Ave & Buckeye Rd.....	13:59		
		13 / West / 120 / 20165398				West Transit Facility.....	14:09		
Sky Harbor West.....	7:15	13 / West / 120 / 20165400							
16th St & Buckeye Rd.....	7:21	Sky Harbor West.....	11:15			13 / East / 36 / 20165684			
Central Ave & Buckeye Rd.....	7:26	16th St & Buckeye Rd.....	11:21			75th Ave & Buckeye Rd.....	14:30		
19th Ave & Buckeye Rd.....	7:33	Central Ave & Buckeye Rd.....	11:26			59th Ave & Buckeye Rd.....	14:34		
43rd Ave & Buckeye Rd.....	7:43	19th Ave & Buckeye Rd.....	11:32			43rd Ave & Buckeye Rd.....	14:39		
59th Ave & Buckeye Rd.....	7:48	43rd Ave & Buckeye Rd.....	11:42			19th Ave & Buckeye Rd.....	14:49		
Buckeye Rd & 75th Av Westb	7:54	59th Ave & Buckeye Rd.....	11:48			Central Ave & Buckeye Rd.....	14:55		
		Buckeye Rd & 75th Av Westb	11:54			16th St & Buckeye Rd.....	15:00		
Deadhead						Sky Harbor West.....	15:07		
Buckeye Rd & 75th Av Westb	7:54								
75th Ave & Buckeye Rd.....	7:58								

Phoenix West

Effective: 01/22/2024

2033
Sunday

Duty Type	Block	Report Time	Start Place	Start Time	End Time	End Place	Clear Time	Paid Time	Seat Time
ST	2033	4:39	WEST	4:44	14:32	67VB	14:44	10h05	7h14
	CAR		67VB	14:32	14:44	WEST			

Sign-on	4:39	83 / South / 155 / 20165449	75 / South / 149 / 20165418
		83rd Ave & Camelback Rd.....	8:05 75th Ave & Camelback Rd..... 11:30
Block	2033	Desert Sky TC.....	8:11 Desert Sky TC..... 11:39
		83rd Ave & Van Buren St.....	8:20 75th Ave & Van Buren St..... 11:51
Pull Out		-----	75th Ave & Lower Buckeye Rd 11:55
West Transit Facility.....	4:59	Deadhead	-----
67th Ave & Camelback Rd.....	5:15	83rd Ave & Van Buren St.....	8:20 Deadhead
		83rd Ave & Van Buren St.....	8:24 75th Ave & Lower Buckeye Rd 12:09
		-----	Sierra Linda HS-North..... 12:14
67 / South / 254 / 20166016		83 / North / 183 / 20165860	
67th Ave & Camelback Rd.....	5:15	83rd Ave & Van Buren St.....	8:34 67 / North / 108 / 20165208
67th Ave & Thomas Rd.....	5:22	Desert Sky TC.....	8:42 Sierra Linda HS-North..... 12:14
67th Ave & Van Buren St.....	5:30	83rd Ave & Camelback Rd.....	8:52 67th Ave & Van Buren St..... 12:23
Sierra Linda HS-South.....	5:38	83rd Ave & Glendale Ave.....	8:57 67th Ave & Thomas Rd..... 12:32
		83rd Ave & Peoria Ave.....	9:08 67th Ave & Camelback Rd..... 12:40
Deadhead		83rd Ave & Thunderbird Rd.....	9:14 67th Ave & Glendale Ave..... 12:50
Sierra Linda HS-South.....	5:38	Arrowhead Mall North.....	9:24 67th Ave & Olive Ave..... 12:56
75th Ave & Lower Buckeye Rd	5:43	-----	67th Ave & Thunderbird Rd..... 13:06
		Deadhead	67th Ave & Union Hills Dr..... 13:16
75 / North / 147 / 20165917		Arrowhead Mall North.....	9:24
75th Ave & Lower Buckeye Rd	5:55	Arrowhead Mall Layover.....	9:26
75th Ave & Van Buren St.....	6:00	-----	Deadhead
Desert Sky TC.....	6:08	-----	67th Ave & Union Hills Dr..... 13:16
75th Ave & Camelback Rd.....	6:17	Deadhead	67th Ave & Union Hills Dr..... 13:21
		Arrowhead Mall Layover.....	9:57
Deadhead		Arrowhead Mall North.....	9:59
75th Ave & Camelback Rd.....	6:17	-----	67 / South / 254 / 20165224
67th Ave & Camelback Rd.....	6:20	83 / South / 155 / 20165878	67th Ave & Union Hills Dr..... 13:39
		Arrowhead Mall North.....	67th Ave & Thunderbird Rd..... 13:50
67 / South / 254 / 20165891		83rd Ave & Thunderbird Rd.....	10:09 67th Ave & Olive Ave..... 13:59
67th Ave & Camelback Rd.....	6:45	83rd Ave & Peoria Ave.....	10:15 67th Ave & Glendale Ave..... 14:06
67th Ave & Thomas Rd.....	6:52	83rd Ave & Glendale Ave.....	10:27 67th Ave & Camelback Rd..... 14:15
67th Ave & Van Buren St.....	7:00	83rd Ave & Camelback Rd.....	10:32 67th Ave & Thomas Rd..... 14:22
Sierra Linda HS-South.....	7:08	Desert Sky TC.....	67th Ave & Van Buren St..... 14:32
		83rd Ave & Van Buren St.....	10:50
Deadhead		-----	Travel by CAR
Sierra Linda HS-South.....	7:08	Deadhead	-----
75th Ave & Lower Buckeye Rd	7:13	83rd Ave & Van Buren St.....	10:50 Car Pull
		83rd Ave & Van Buren St.....	10:54 67th Ave & Van Buren St..... 14:32
		-----	West Transit Facility..... 14:44
75 / North / 147 / 20165430		83 / North / 153 / 20165466	-----
75th Ave & Lower Buckeye Rd	7:25	83rd Ave & Van Buren St.....	11:03 Sierra Linda HS-South..... 14:41
75th Ave & Van Buren St.....	7:30	Desert Sky TC.....	11:12
Desert Sky TC.....	7:38	83rd Ave & Camelback Rd.....	11:22 75 / North / 147 / 20165912
75th Ave & Camelback Rd.....	7:47	-----	75th Ave & Lower Buckeye Rd 14:55
		Deadhead	75th Ave & Van Buren St..... 15:00
Deadhead		83rd Ave & Camelback Rd.....	11:22 Desert Sky TC..... 15:14
75th Ave & Camelback Rd.....	7:47	75th Ave & Camelback Rd.....	11:25 75th Ave & Camelback Rd..... 15:25
83rd Ave & Camelback Rd.....	7:50	-----	-----

Phoenix West

Effective: 01/22/2024

2034
Sunday

Duty Type	Block	Report Time	Start Place	Start Time	End Time	End Place	Clear Time	Paid Time	Seat Time
ST	2034	4:40	WEST	4:45	11:35	43LB			
	CAR		43LB	11:35	11:56	WEST	11:56	7h16	5h53

Sign-on	4:40	Deadhead				43 / South / 207 / 20165727			
		43rd Ave & Union Hills Dr.....		7:38		43rd Ave & Union Hills Dr.....		10:33	
Block	2034	43rd Ave & Union Hills Dr.....		7:45		43rd Ave & Thunderbird Rd.....		10:40	
						43rd Ave & Dunlap Ave.....		10:50	
Pull Out		43 / South / 207 / 20165251				43rd Ave & Glendale Ave.....		10:56	
West Transit Facility.....	5:00	43rd Ave & Union Hills Dr.....		8:05		43rd Ave & Camelback Rd.....		11:04	
43rd Ave & Union Hills Dr.....	5:35	43rd Ave & Thunderbird Rd.....		8:12		43rd Ave & Thomas Rd.....		11:13	
		43rd Ave & Dunlap Ave.....		8:21		43rd Ave & Van Buren St.....		11:21	
43 / South / 207 / 20165753		43rd Ave & Glendale Ave.....		8:27		43rd Ave & Lower Buckeye Rd		11:29	
43rd Ave & Union Hills Dr.....	5:35	43rd Ave & Camelback Rd.....		8:34					
43rd Ave & Thunderbird Rd.....	5:42	43rd Ave & Thomas Rd.....		8:43		Deadhead			
43rd Ave & Dunlap Ave.....	5:51	43rd Ave & Van Buren St.....		8:51		43rd Ave & Lower Buckeye Rd		11:29	
43rd Ave & Glendale Ave.....	5:57	43rd Ave & Lower Buckeye Rd		8:59		43rd Ave & Lower Buckeye Rd		11:35	
43rd Ave & Camelback Rd.....	6:04								
43rd Ave & Thomas Rd.....	6:11	Deadhead				Travel by		CAR	
43rd Ave & Van Buren St.....	6:19	43rd Ave & Lower Buckeye Rd		8:59		Car Pull			
43rd Ave & Lower Buckeye Rd	6:27	43rd Ave & Lower Buckeye Rd		9:05		43rd Ave & Lower Buckeye Rd		11:35	
						West Transit Facility.....		11:56	
Deadhead		43 / North / 182 / 20165744							
43rd Ave & Lower Buckeye Rd	6:27	43rd Ave & Lower Buckeye Rd		9:16		43 / North / 182 / 20165239			
43rd Ave & Lower Buckeye Rd	6:33	43rd Ave & Van Buren St.....		9:22		43rd Ave & Lower Buckeye Rd		11:46	
		43rd Ave & Thomas Rd.....		9:32		43rd Ave & Van Buren St.....		11:52	
43 / North / 182 / 20165234		43rd Ave & Camelback Rd.....		9:40		43rd Ave & Thomas Rd.....		12:02	
43rd Ave & Lower Buckeye Rd	6:49	43rd Ave & Glendale Ave.....		9:47		43rd Ave & Camelback Rd.....		12:10	
43rd Ave & Van Buren St.....	6:55	43rd Ave & Dunlap Ave.....		9:54		43rd Ave & Glendale Ave.....		12:17	
43rd Ave & Thomas Rd.....	7:03	43rd Ave & Thunderbird Rd.....		10:01		43rd Ave & Dunlap Ave.....		12:24	
43rd Ave & Camelback Rd.....	7:10	43rd Ave & Union Hills Dr.....		10:10		43rd Ave & Thunderbird Rd.....		12:31	
43rd Ave & Glendale Ave.....	7:16					43rd Ave & Union Hills Dr.....		12:40	
43rd Ave & Dunlap Ave.....	7:22	Deadhead							
43rd Ave & Thunderbird Rd.....	7:29	43rd Ave & Union Hills Dr.....		10:10					
43rd Ave & Union Hills Dr.....	7:38	43rd Ave & Union Hills Dr.....		10:17					

Phoenix West

Effective: 01/22/2024

2035
Sunday

Duty Type	Block	Report Time	Start Place	Start Time	End Time	End Place	Clear Time	Paid Time	Seat Time
ST	2036	4:40	WEST	4:45	14:56	75LB			
	CAR		75LB	14:56	15:06	WEST	15:06	10h26	7h29

Sign-on	4:40	Deadhead				Deadhead			
		Sierra Linda HS-South.....		8:38		Arrowhead Mall North.....		12:24	
Block	2036	75th Ave & Lower Buckeye Rd		8:43		Arrowhead Mall Layover.....		12:26	
Pull Out		75 / North / 147 / 20165915				Deadhead			
West Transit Facility.....	5:00	75th Ave & Lower Buckeye Rd		8:55		Arrowhead Mall Layover.....		12:55	
83rd Ave & Van Buren St.....	5:05	75th Ave & Van Buren St.....		9:00		Arrowhead Mall North.....		12:57	
		Desert Sky TC.....		9:10					
83 / North / 153 / 20166024		75th Ave & Camelback Rd.....		9:19		83 / South / 155 / 20165880			
83rd Ave & Van Buren St.....	5:05					Arrowhead Mall North.....		12:57	
Desert Sky TC.....	5:12	Deadhead				83rd Ave & Thunderbird Rd.....		13:08	
83rd Ave & Camelback Rd.....	5:21	75th Ave & Camelback Rd.....		9:19		83rd Ave & Peoria Ave.....		13:14	
		67th Ave & Camelback Rd.....		9:22		83rd Ave & Glendale Ave.....		13:27	
Deadhead						83rd Ave & Camelback Rd.....		13:32	
83rd Ave & Camelback Rd.....	5:21	67 / South / 254 / 20165894				Desert Sky TC.....		13:41	
75th Ave & Camelback Rd.....	5:24	67th Ave & Camelback Rd.....		9:45		83rd Ave & Van Buren St.....		13:51	
		67th Ave & Thomas Rd.....		9:52					
75 / South / 149 / 20166020		67th Ave & Van Buren St.....		10:00		Deadhead			
75th Ave & Camelback Rd.....	5:30	Sierra Linda HS-South.....		10:08		83rd Ave & Van Buren St.....		13:51	
Desert Sky TC.....	5:38					83rd Ave & Van Buren St.....		13:55	
75th Ave & Van Buren St.....	5:47	Deadhead							
75th Ave & Lower Buckeye Rd	5:51	Sierra Linda HS-South.....		10:08		83 / North / 153 / 20165469			
		75th Ave & Lower Buckeye Rd		10:13		83rd Ave & Van Buren St.....		14:03	
Deadhead						Desert Sky TC.....		14:12	
75th Ave & Lower Buckeye Rd	6:13	75 / North / 147 / 20165433				83rd Ave & Camelback Rd.....		14:22	
Sierra Linda HS-North.....	6:18	75th Ave & Lower Buckeye Rd		10:25		75th Ave & Camelback Rd.....		14:25	
		75th Ave & Van Buren St.....		10:30					
67 / North / 108 / 20165205		Desert Sky TC.....		10:41		Deadhead			
Sierra Linda HS-North.....	6:18	75th Ave & Camelback Rd.....		10:50		83rd Ave & Camelback Rd.....		14:22	
67th Ave & Van Buren St.....	6:25					75th Ave & Camelback Rd.....		14:25	
67th Ave & Thomas Rd.....	6:33	Deadhead							
67th Ave & Camelback Rd.....	6:40	75th Ave & Camelback Rd.....		10:50		75 / South / 149 / 20165422			
67th Ave & Glendale Ave.....	6:49	83rd Ave & Camelback Rd.....		10:53		75th Ave & Camelback Rd.....		14:30	
67th Ave & Olive Ave.....	6:55					Desert Sky TC.....		14:39	
67th Ave & Thunderbird Rd.....	7:04	83 / South / 155 / 20165447				75th Ave & Van Buren St.....		14:52	
67th Ave & Union Hills Dr.....	7:14	83rd Ave & Camelback Rd.....		11:02		75th Ave & Lower Buckeye Rd		14:56	
		Desert Sky TC.....		11:11					
Deadhead		83rd Ave & Van Buren St.....		11:20		Travel by		CAR	
67th Ave & Union Hills Dr.....	7:14								
67th Ave & Union Hills Dr.....	7:19	Deadhead				Car Pull			
		83rd Ave & Van Buren St.....		11:20		75th Ave & Lower Buckeye Rd		14:56	
67 / South / 254 / 20165217		83rd Ave & Van Buren St.....		11:24		West Transit Facility.....		15:06	
67th Ave & Union Hills Dr.....	7:41								
67th Ave & Thunderbird Rd.....	7:51	83 / North / 183 / 20165857							
67th Ave & Olive Ave.....	8:00	83rd Ave & Van Buren St.....		11:33		67 / North / 108 / 20165211			
67th Ave & Glendale Ave.....	8:07	Desert Sky TC.....		11:42		Sierra Linda HS-North.....		15:15	
67th Ave & Camelback Rd.....	8:15	83rd Ave & Camelback Rd.....		11:52		67th Ave & Van Buren St.....		15:24	
67th Ave & Thomas Rd.....	8:22	83rd Ave & Glendale Ave.....		11:57		67th Ave & Thomas Rd.....		15:33	
67th Ave & Van Buren St.....	8:30	83rd Ave & Peoria Ave.....		12:08		67th Ave & Camelback Rd.....		15:40	
Sierra Linda HS-South.....	8:38	83rd Ave & Thunderbird Rd.....		12:14		67th Ave & Glendale Ave.....		15:50	
		Arrowhead Mall North.....		12:24		67th Ave & Olive Ave.....		15:56	
						67th Ave & Thunderbird Rd.....		16:06	
						67th Ave & Union Hills Dr.....		16:16	

Phoenix West

Effective: 01/22/2024

2036
Sunday

Duty Type	Block	Report Time	Start Place	Start Time	End Time	End Place	Clear Time	Paid Time	Seat Time
ST	2035 CAR	4:40	WEST 94TH	4:45 12:00	12:00 12:16	94TH WEST	12:16	7h36	6h15

Sign-on	4:40	Deadhead				Deadhead			
		93rd Ave & Thomas Rd.....		8:22		93rd Ave & Thomas Rd.....		11:59	
Block	2035	94th Av Layover.....		8:23		94th Av Layover.....		12:00	
Pull Out		Deadhead				Travel by		CAR	
West Transit Facility.....	5:00	94th Av Layover.....		8:36		Car Pull			
93rd Ave & Thomas Rd.....	5:12	93rd Ave & Thomas Rd.....		8:37		94th Av Layover.....		12:00	
						West Transit Facility.....		12:16	
29 / East / 257 / 20165999		29 / East / 31 / 20165494				29 / East / 31 / 20165496			
93rd Ave & Thomas Rd.....	5:12	93rd Ave & Thomas Rd.....		8:37		93rd Ave & Thomas Rd.....		12:30	
Thomas Rd at Desert Sky TC....	5:17	Thomas Rd at Desert Sky TC....		8:43		Thomas Rd at Desert Sky TC..		12:36	
67th Ave & Thomas Rd.....	5:22	67th Ave & Thomas Rd.....		8:50		67th Ave & Thomas Rd.....		12:43	
51st Ave & Thomas Rd.....	5:28	51st Ave & Thomas Rd.....		8:57		51st Ave & Thomas Rd.....		12:53	
35th Ave & Thomas Rd.....	5:35	35th Ave & Thomas Rd.....		9:04		35th Ave & Thomas Rd.....		13:02	
19th Ave & Thomas Rd.....	5:43	19th Ave & Thomas Rd.....		9:14		19th Ave & Thomas Rd.....		13:12	
Central Ave & Thomas Rd.....	5:50	Central Ave & Thomas Rd.....		9:21		Central Ave & Thomas Rd.....		13:20	
24th St & Thomas Rd.....	6:01	24th St & Thomas Rd.....		9:32		24th St & Thomas Rd.....		13:33	
44th St & Thomas Rd.....	6:11	44th St & Thomas Rd.....		9:45		44th St & Thomas Rd.....		13:48	
56th St & Thomas Rd.....	6:17	56th St & Thomas Rd.....		9:52		56th St & Thomas Rd.....		13:55	
Deadhead		Scottsdale Rd & Thomas Rd....		9:58		Scottsdale Rd & Thomas Rd...		14:01	
56th St & Thomas Rd.....	6:17	Pima Park.....		10:05		Pima Park.....		14:08	
Pima Park.....	6:32								
29 / West / 199 / 20165508		29 / West / 199 / 20165516							
Pima Park.....	6:59	Pima Park.....		10:26					
Scottsdale Rd & Thomas Rd.....	7:04	Scottsdale Rd & Thomas Rd.....		10:31					
56th St & Thomas Rd.....	7:10	56th St & Thomas Rd.....		10:37					
44th St & Thomas Rd.....	7:16	44th St & Thomas Rd.....		10:45					
24th St & Thomas Rd.....	7:28	24th St & Thomas Rd.....		10:56					
Central Ave & Thomas Rd.....	7:40	Central Ave & Thomas Rd.....		11:10					
19th Ave & Thomas Rd.....	7:46	19th Ave & Thomas Rd.....		11:17					
35th Ave & Thomas Rd.....	7:54	35th Ave & Thomas Rd.....		11:27					
51st Ave & Thomas Rd.....	8:00	51st Ave & Thomas Rd.....		11:34					
67th Ave & Thomas Rd.....	8:07	67th Ave & Thomas Rd.....		11:41					
Desert Sky TC.....	8:14	Desert Sky TC.....		11:50					
Desert Sky TC.....	8:17	Desert Sky TC.....		11:53					
93rd Ave & Thomas Rd.....	8:22	93rd Ave & Thomas Rd.....		11:59					

Phoenix West

Effective: 01/22/2024

2037
Sunday

Duty Type	Block	Report Time	Start Place	Start Time	End Time	End Place	Clear Time	Paid Time	Seat Time
TRP	2038	4:45	WEST	4:50	10:04	43LB			
	CAR		43LB	10:04	10:25	WEST	10:25	5h40	4h27

Sign-on	4:45	Deadhead	Deadhead
		43rd Ave & Lower Buckeye Rd	43rd Ave & Lower Buckeye Rd
			7:28
Block	2038	43rd Ave & Lower Buckeye Rd	43rd Ave & Lower Buckeye Rd
			7:34

Pull Out		43 / North / 182 / 20165235	Travel by
West Transit Facility.....	5:05	43rd Ave & Lower Buckeye Rd	7:49
43rd Ave & Lower Buckeye Rd	5:20	43rd Ave & Van Buren St.....	7:55
		43rd Ave & Thomas Rd.....	8:03
		43rd Ave & Camelback Rd.....	8:10
		43rd Ave & Glendale Ave.....	8:16
		43rd Ave & Dunlap Ave.....	8:22
		43rd Ave & Thunderbird Rd.....	8:29
		43rd Ave & Union Hills Dr.....	8:38
		Deadhead	
		43rd Ave & Union Hills Dr.....	8:38
		43rd Ave & Union Hills Dr.....	8:45
		43 / South / 207 / 20165252	
		43rd Ave & Union Hills Dr.....	9:03
		43rd Ave & Thunderbird Rd.....	9:10
		43rd Ave & Dunlap Ave.....	9:20
		43rd Ave & Glendale Ave.....	9:26
		43rd Ave & Camelback Rd.....	9:33
		43rd Ave & Thomas Rd.....	9:42
		43rd Ave & Van Buren St.....	9:50
		43rd Ave & Lower Buckeye Rd	9:58
		43 / South / 207 / 20165754	
		43rd Ave & Union Hills Dr.....	6:35
		43rd Ave & Thunderbird Rd.....	6:42
		43rd Ave & Dunlap Ave.....	6:51
		43rd Ave & Glendale Ave.....	6:57
		43rd Ave & Camelback Rd.....	7:04
		43rd Ave & Thomas Rd.....	7:12
		43rd Ave & Van Buren St.....	7:20
		43rd Ave & Lower Buckeye Rd	7:28

Phoenix West

Effective: 01/22/2024

2038
Sunday

Duty Type	Block	Report Time	Start Place	Start Time	End Time	End Place	Clear Time	Paid Time	Seat Time
ST	2037	4:45	WEST	4:50	14:45	51VB	14:59	10h14	7h47
	CAR		51VB	14:45	14:59	WEST			

Sign-on	4:45	51 / North / 206 / 20165270				51 / South / 28 / 20165288			
		51st Ave & Pecos Rd.....	9:51			ASU West Campus.....		14:02	
Block	2037	Vee Quiva Casino.....	10:01			51st Ave & Olive Ave.....		14:14	
		51st Ave & Baseline Rd.....	10:13			51st Ave & Glendale Ave.....		14:21	
Pull Out		51st Ave & Lower Buckeye Rd...	10:20			51st Ave & Camelback Rd.....		14:28	
West Transit Facility.....	5:05	51st Ave & Van Buren St.....	10:27			51st Ave & Thomas Rd.....		14:37	
ASU West Campus.....	5:38	51st Ave & Thomas Rd.....	10:35			51st Ave & Van Buren St.....		14:45	
		51st Ave & Camelback Rd.....	10:43						
51 / South / 27 / 20165791		51st Ave & Glendale Ave.....	10:50			Travel by		CAR	
ASU West Campus.....	5:38	51st Ave & Olive Ave.....	10:57			Car Pull			
51st Ave & Olive Ave.....	5:49	ASU West Campus.....	11:08			51st Ave & Van Buren St.....		14:45	
51st Ave & Glendale Ave.....	5:55					West Transit Facility.....		14:59	
51st Ave & Camelback Rd.....	6:00	51 / South / 27 / 20165756							
51st Ave & Thomas Rd.....	6:07	ASU West Campus.....	11:32						
51st Ave & Van Buren St.....	6:15	51st Ave & Olive Ave.....	11:44			51st Ave & Lower Buckeye Rd		14:50	
51st Ave & Lower Buckeye Rd...	6:20	51st Ave & Glendale Ave.....	11:51			51st Ave & Baseline Rd.....		14:58	
51st Ave & Baseline Rd.....	6:27	51st Ave & Camelback Rd.....	11:58			Vee Quiva Casino.....		15:10	
		51st Ave & Thomas Rd.....	12:07			Komatke Health Center.....		15:22	
Deadhead		51st Ave & Van Buren St.....	12:15			51st Ave & Pecos Rd.....		15:26	
51st Ave & Baseline Rd.....	6:27	51st Ave & Lower Buckeye Rd...	12:20						
51st Ave & Baseline Rd.....	6:32	51st Ave & Baseline Rd.....	12:28			51 / North / 206 / 20165276			
						51st Ave & Pecos Rd.....		15:50	
51 / North / 206 / 20165792		Deadhead				Vee Quiva Casino.....		16:00	
51st Ave & Baseline Rd.....	6:44	51st Ave & Baseline Rd.....	12:28			51st Ave & Baseline Rd.....		16:12	
51st Ave & Lower Buckeye Rd...	6:51	51st Ave & Baseline Rd.....	12:33			51st Ave & Lower Buckeye Rd		16:19	
51st Ave & Van Buren St.....	6:57					51st Ave & Van Buren St.....		16:26	
51st Ave & Thomas Rd.....	7:05	51 / North / 206 / 20165774				51st Ave & Thomas Rd.....		16:35	
51st Ave & Camelback Rd.....	7:13	51st Ave & Baseline Rd.....	12:43			51st Ave & Camelback Rd.....		16:43	
51st Ave & Glendale Ave.....	7:20	51st Ave & Lower Buckeye Rd...	12:50			51st Ave & Glendale Ave.....		16:48	
51st Ave & Olive Ave.....	7:27	51st Ave & Van Buren St.....	12:57			51st Ave & Olive Ave.....		16:55	
ASU West Campus.....	7:37	51st Ave & Thomas Rd.....	13:05			ASU West Campus.....		17:06	
		51st Ave & Camelback Rd.....	13:13						
51 / South / 28 / 20165283		51st Ave & Glendale Ave.....	13:20						
ASU West Campus.....	8:08	51st Ave & Olive Ave.....	13:27						
51st Ave & Olive Ave.....	8:19	ASU West Campus.....	13:38						
51st Ave & Glendale Ave.....	8:25								
51st Ave & Camelback Rd.....	8:30								
51st Ave & Thomas Rd.....	8:37								
51st Ave & Van Buren St.....	8:45								
51st Ave & Lower Buckeye Rd...	8:50								
51st Ave & Baseline Rd.....	8:57								
Vee Quiva Casino.....	9:09								
Komatke Health Center.....	9:21								
51st Ave & Pecos Rd.....	9:25								

Phoenix West

Effective: 01/22/2024

2039
Sunday

Duty Type	Block	Report Time	Start Place	Start Time	End Time	End Place	Clear Time	Paid Time	Seat Time
ST	2039	4:46	WEST	4:51	12:55	75LB			
	CAR		75LB	12:55	13:05	WEST	13:05	8h19	5h34

Sign-on	4:46	Deadhead				83 / South / 155 / 20165877			
		Sierra Linda HS-South.....		8:08		Arrowhead Mall North.....		10:58	
Block	2039	75th Ave & Lower Buckeye Rd		8:13		83rd Ave & Thunderbird Rd.....		11:09	
						83rd Ave & Peoria Ave.....		11:15	
Pull Out		75 / North / 147 / 20165431				83rd Ave & Glendale Ave.....		11:27	
West Transit Facility.....	5:06	75th Ave & Lower Buckeye Rd		8:25		83rd Ave & Camelback Rd.....		11:32	
Sierra Linda HS-North.....	5:18	75th Ave & Van Buren St.....		8:30		Desert Sky TC.....		11:41	
		Desert Sky TC.....		8:40		83rd Ave & Van Buren St.....		11:51	
		75th Ave & Camelback Rd.....		8:49					
67 / North / 250 / 20166018									
Sierra Linda HS-North.....	5:18	Deadhead				83rd Ave & Van Buren St.....		11:51	
67th Ave & Van Buren St.....	5:25	75th Ave & Camelback Rd.....		8:49		83rd Ave & Van Buren St.....		11:55	
67th Ave & Thomas Rd.....	5:33	83rd Ave & Camelback Rd.....		8:52					
67th Ave & Camelback Rd.....	5:40								
Deadhead		83 / South / 155 / 20165445				83rd Ave & Van Buren St.....		12:03	
67th Ave & Camelback Rd.....	5:40	83rd Ave & Camelback Rd.....		9:05		Desert Sky TC.....		12:12	
75th Ave & Camelback Rd.....	5:43	Desert Sky TC.....		9:11		83rd Ave & Camelback Rd.....		12:22	
		83rd Ave & Van Buren St.....		9:20					
75 / South / 149 / 20165847									
75th Ave & Camelback Rd.....	6:00	Deadhead				83rd Ave & Camelback Rd.....		12:22	
Desert Sky TC.....	6:08	83rd Ave & Van Buren St.....		9:20		75th Ave & Camelback Rd.....		12:25	
75th Ave & Van Buren St.....	6:17	83rd Ave & Van Buren St.....		9:24					
75th Ave & Lower Buckeye Rd	6:21								
Deadhead		83 / North / 183 / 20165859				75th Ave & Camelback Rd.....		12:30	
75th Ave & Lower Buckeye Rd	6:43	83rd Ave & Van Buren St.....		9:33		Desert Sky TC.....		12:39	
Sierra Linda HS-North.....	6:48	Desert Sky TC.....		9:42		75th Ave & Van Buren St.....		12:51	
		83rd Ave & Camelback Rd.....		9:52		75th Ave & Lower Buckeye Rd		12:55	
		83rd Ave & Glendale Ave.....		9:57					
67 / North / 250 / 20165836		83rd Ave & Peoria Ave.....		10:08					
Sierra Linda HS-North.....	6:48	83rd Ave & Thunderbird Rd.....		10:14		Travel by		CAR	
67th Ave & Van Buren St.....	6:55	Arrowhead Mall North.....		10:24					
67th Ave & Thomas Rd.....	7:03					Car Pull			
67th Ave & Camelback Rd.....	7:10	Deadhead				75th Ave & Lower Buckeye Rd		12:55	
		Arrowhead Mall North.....		10:24		West Transit Facility.....		13:05	
		Arrowhead Mall Layover.....		10:26					
Deadhead									
67th Ave & Camelback Rd.....	7:10	Deadhead				67 / North / 108 / 20165209			
67th Ave & Camelback Rd.....	7:16	Arrowhead Mall Layover.....		10:56		Sierra Linda HS-North.....		13:14	
		Arrowhead Mall North.....		10:58		67th Ave & Van Buren St.....		13:23	
67 / South / 254 / 20165892						67th Ave & Thomas Rd.....		13:32	
67th Ave & Camelback Rd.....	7:45					67th Ave & Camelback Rd.....		13:40	
67th Ave & Thomas Rd.....	7:52					67th Ave & Glendale Ave.....		13:50	
67th Ave & Van Buren St.....	8:00					67th Ave & Olive Ave.....		13:56	
Sierra Linda HS-South.....	8:08					67th Ave & Thunderbird Rd.....		14:06	
						67th Ave & Union Hills Dr.....		14:16	

Phoenix West

Effective: 01/22/2024

2040
Sunday

Duty Type	Block	Report Time	Start Place	Start Time	End Time	End Place	Clear Time	Paid Time	Seat Time
ST	2040	4:47	WEST	4:52	14:42	107I-E	14:59	10h12	8h34
	CAR		107I-E	14:42	14:59	WEST			

Sign-on	4:47	29 / West / 199 / 20165513		41 / West / 724 / 20165579
		Pima Park.....	8:57	Granite Reef Rd & Indian Sch
Block	2040	Scottsdale Rd & Thomas Rd.....	9:02	Scottsdale Rd & Indian School
		56th St & Thomas Rd.....	9:08	56th St & Indian School Rd.....
Pull Out		44th St & Thomas Rd.....	9:16	44th St & Indian School Rd.....
West Transit Facility.....	5:07	24th St & Thomas Rd.....	9:27	32nd St & Indian School Rd.....
56th St & Thomas Rd.....	5:42	Central Ave & Thomas Rd.....	9:40	24th St & Indian School Rd.....
		19th Ave & Thomas Rd.....	9:46	Central Ave & Indian School Rd.
		35th Ave & Thomas Rd.....	9:54	Central Ave & Indian School Rd.
29 / West / 199 / 20165716		51st Ave & Thomas Rd.....	10:01	19th Ave & Indian School Rd.....
56th St & Thomas Rd.....	5:42	67th Ave & Thomas Rd.....	10:08	43rd Ave & Indian School Rd.....
44th St & Thomas Rd.....	5:48	Desert Sky TC.....	10:17	59th Ave & Indian School Rd.....
24th St & Thomas Rd.....	5:58	Desert Sky TC.....	10:20	83rd Ave & Indian School Rd.....
Central Ave & Thomas Rd.....	6:10	93rd Ave & Thomas Rd.....	10:26	107th Ave & Indian School Rd.
19th Ave & Thomas Rd.....	6:16			
35th Ave & Thomas Rd.....	6:24	Deadhead		Deadhead
51st Ave & Thomas Rd.....	6:30	93rd Ave & Thomas Rd.....	10:26	107th Ave & Indian School Rd.
67th Ave & Thomas Rd.....	6:37	107th Ave & Indian School Rd.	10:34	107th Ave & Indian School Rd.
Desert Sky TC.....	6:44			
Desert Sky TC.....	6:47			
93rd Ave & Thomas Rd.....	6:52	41 / East / 172 / 20165537		Travel by
		107th Ave & Indian School Rd.	10:47	CAR
Deadhead		83rd Ave & Indian School Rd.....	10:55	
93rd Ave & Thomas Rd.....	6:52	59th Ave & Indian School Rd.....	11:06	Car Pull
94th Av Layover.....	6:53	43rd Ave & Indian School Rd.....	11:15	107th Ave & Indian School Rd.
		19th Ave & Indian School Rd.....	11:31	West Transit Facility.....
		Central Ave & Indian School Rd.	11:40	
Deadhead		Central Ave & Indian School Rd.	11:44	41 / East / 172 / 20165560
94th Av Layover.....	7:10	24th St & Indian School Rd.....	11:58	<i>107th Ave & Indian School Rd.</i>
93rd Ave & Thomas Rd.....	7:11	32nd St & Indian School Rd.....	12:02	<i>83rd Ave & Indian School Rd..</i>
		44th St & Indian School Rd.....	12:09	<i>59th Ave & Indian School Rd...</i>
29 / East / 31 / 20165479		56th St & Indian School Rd.....	12:12	<i>43rd Ave & Indian School Rd..</i>
93rd Ave & Thomas Rd.....	7:11	Scottsdale Rd & Indian School	12:19	<i>19th Ave & Indian School Rd...</i>
Thomas Rd at Desert Sky TC....	7:16	Granite Reef Rd & Indian Sch	12:27	<i>Central Ave & Indian School R</i>
67th Ave & Thomas Rd.....	7:22			<i>Central Ave & Indian School R</i>
51st Ave & Thomas Rd.....	7:28	Deadhead		<i>24th St & Indian School Rd.....</i>
35th Ave & Thomas Rd.....	7:35	Granite Reef Rd & Indian Sch	12:27	<i>32nd St & Indian School Rd....</i>
19th Ave & Thomas Rd.....	7:43	Pima Rd & Chaparral Rd.....	12:31	<i>44th St & Indian School Rd.....</i>
Central Ave & Thomas Rd.....	7:50			<i>56th St & Indian School Rd.....</i>
24th St & Thomas Rd.....	8:01	Deadhead		<i>Scottsdale Rd & Indian Schoo</i>
44th St & Thomas Rd.....	8:11	Pima Rd & Chaparral Rd.....	12:52	<i>Granite Reef Rd & Indian Sch</i>
56th St & Thomas Rd.....	8:17	Granite Reef Rd & Indian Sch	12:56	
Scottsdale Rd & Thomas Rd.....	8:23			
Pima Park.....	8:30			

Phoenix West

Effective: 01/22/2024

2041
Sunday

Duty Type	Block	Report Time	Start Place	Start Time	End Time	End Place	Clear Time	Paid Time	Seat Time
ST	2041	4:49	WEST 94TH	4:54	15:01	94TH	15:17	10h28	8h59

Sign-on	4:49	Deadhead				29 / West / 199 / 20165518			
		Granite Reef Rd & Indian Sch		8:57		Pima Park.....			13:23
Block	2041	Pima Rd & Chaparral Rd.....		9:01		Scottsdale Rd & Thomas Rd.....			13:28
						56th St & Thomas Rd.....			13:34
Pull Out		Deadhead				44th St & Thomas Rd.....			13:42
West Transit Facility.....	5:09	Pima Rd & Chaparral Rd.....		9:22		24th St & Thomas Rd.....			13:56
56th St & Indian School Rd.....	5:44	Granite Reef Rd & Indian Sch		9:26		Central Ave & Thomas Rd.....			14:10
						19th Ave & Thomas Rd.....			14:17
41 / West / 724 / 20165649		41 / West / 724 / 20165569				35th Ave & Thomas Rd.....			14:27
56th St & Indian School Rd.....	5:44	Granite Reef Rd & Indian Sch		9:26		51st Ave & Thomas Rd.....			14:34
44th St & Indian School Rd.....	5:47	Scottsdale Rd & Indian School		9:31		67th Ave & Thomas Rd.....			14:41
32nd St & Indian School Rd.....	5:51	56th St & Indian School Rd.....		9:38		Desert Sky TC.....			14:51
24th St & Indian School Rd.....	5:55	44th St & Indian School Rd.....		9:42		Desert Sky TC.....			14:54
Central Ave & Indian School Rd.	6:05	32nd St & Indian School Rd.....		9:48		93rd Ave & Thomas Rd.....			15:00
Central Ave & Indian School Rd.	6:09	24th St & Indian School Rd.....		9:53					
19th Ave & Indian School Rd.....	6:15	Central Ave & Indian School Rd.		10:05		Deadhead			
43rd Ave & Indian School Rd.....	6:28	Central Ave & Indian School Rd.		10:09		93rd Ave & Thomas Rd.....			15:00
59th Ave & Indian School Rd.....	6:35	19th Ave & Indian School Rd.....		10:17		94th Av Layover.....			15:01
83rd Ave & Indian School Rd.....	6:45	43rd Ave & Indian School Rd.....		10:33					
107th Ave & Indian School Rd.	6:56	59th Ave & Indian School Rd.....		10:42		Travel by			CAR
		83rd Ave & Indian School Rd.....		10:54					
Deadhead		107th Ave & Indian School Rd.		11:06		Car Pull			
107th Ave & Indian School Rd.	6:56					94th Av Layover.....			15:01
107th Ave & Indian School Rd.	7:02	Deadhead				West Transit Facility.....			15:17
		107th Ave & Indian School Rd.		11:06					
41 / East / 172 / 20165552		93rd Ave & Thomas Rd.....		11:14		29 / East / 31 / 20165502			
107th Ave & Indian School Rd.	7:19					93rd Ave & Thomas Rd.....			15:30
83rd Ave & Indian School Rd.....	7:27	29 / East / 31 / 20165499				Thomas Rd at Desert Sky TC..			15:36
59th Ave & Indian School Rd.....	7:38	93rd Ave & Thomas Rd.....		11:30		67th Ave & Thomas Rd.....			15:43
43rd Ave & Indian School Rd.....	7:47	Thomas Rd at Desert Sky TC....		11:36		51st Ave & Thomas Rd.....			15:53
19th Ave & Indian School Rd.....	8:01	67th Ave & Thomas Rd.....		11:43		35th Ave & Thomas Rd.....			16:02
Central Ave & Indian School Rd.	8:10	51st Ave & Thomas Rd.....		11:53		19th Ave & Thomas Rd.....			16:12
Central Ave & Indian School Rd.	8:14	35th Ave & Thomas Rd.....		12:02		Central Ave & Thomas Rd.....			16:20
24th St & Indian School Rd.....	8:28	19th Ave & Thomas Rd.....		12:12		24th St & Thomas Rd.....			16:33
32nd St & Indian School Rd.....	8:32	Central Ave & Thomas Rd.....		12:20		44th St & Thomas Rd.....			16:45
44th St & Indian School Rd.....	8:39	24th St & Thomas Rd.....		12:33		56th St & Thomas Rd.....			16:52
56th St & Indian School Rd.....	8:42	44th St & Thomas Rd.....		12:48		Scottsdale Rd & Thomas Rd...			16:58
Scottsdale Rd & Indian School	8:49	56th St & Thomas Rd.....		12:55		Pima Park.....			17:05
Granite Reef Rd & Indian Sch	8:57	Scottsdale Rd & Thomas Rd.....		13:01					
		Pima Park.....		13:08					

Phoenix West

Effective: 01/22/2024

2042
Sunday

Duty Type	Block	Report Time	Start Place	Start Time	End Time	End Place	Clear Time	Paid Time	Seat Time
ST	2042 CAR	4:50	WEST 67TH	4:55 13:43	13:43 13:59	67TH WEST	13:59	9h09	7h08

Sign-on	4:50	Deadhead	Deadhead
		107th Ave & Indian School Rd.	94th Av Layover.....
		9:06	13:29
Block	2042	93rd Ave & Thomas Rd.....	93rd Ave & Thomas Rd.....
		9:14	13:30
<hr/>			
Pull Out		29 / East / 31 / 20165495	29 / East / 31 / 20165501
West Transit Facility.....	5:10	93rd Ave & Thomas Rd.....	93rd Ave & Thomas Rd.....
		9:35	13:30
107th Ave & Indian School Rd.	5:25	Thomas Rd at Desert Sky TC....	Thomas Rd at Desert Sky TC....
		9:41	13:36
		67th Ave & Thomas Rd.....	67th Ave & Thomas Rd.....
		9:48	13:43
		51st Ave & Thomas Rd.....	
		9:55	
41 / East / 172 / 20165551		35th Ave & Thomas Rd.....	Travel by
107th Ave & Indian School Rd.	5:25	10:02	CAR
83rd Ave & Indian School Rd.....	5:33	19th Ave & Thomas Rd.....	
		10:12	
59th Ave & Indian School Rd.....	5:42	Central Ave & Thomas Rd.....	Car Pull
		10:20	
43rd Ave & Indian School Rd.....	5:51	24th St & Thomas Rd.....	67th Ave & Thomas Rd.....
		10:31	13:43
19th Ave & Indian School Rd.....	6:03	44th St & Thomas Rd.....	West Transit Facility.....
		10:44	13:59
Central Ave & Indian School Rd.	6:10	56th St & Thomas Rd.....	
		10:51	
Central Ave & Indian School Rd.	6:14	Scottsdale Rd & Thomas Rd.....	<i>51st Ave & Thomas Rd.....</i>
		10:57	<i>13:53</i>
24th St & Indian School Rd.....	6:24	Pima Park.....	<i>35th Ave & Thomas Rd.....</i>
		11:04	<i>14:02</i>
32nd St & Indian School Rd.....	6:27		<i>19th Ave & Thomas Rd.....</i>
			<i>14:12</i>
44th St & Indian School Rd.....	6:34	29 / West / 199 / 20165517	<i>Central Ave & Thomas Rd.....</i>
			<i>14:20</i>
56th St & Indian School Rd.....	6:37	Pima Park.....	<i>24th St & Thomas Rd.....</i>
		11:23	<i>14:33</i>
Scottsdale Rd & Indian School	6:44	Scottsdale Rd & Thomas Rd.....	<i>44th St & Thomas Rd.....</i>
		11:28	<i>14:48</i>
Granite Reef Rd & Indian Sch	6:51	56th St & Thomas Rd.....	<i>56th St & Thomas Rd.....</i>
		11:34	<i>14:55</i>
		44th St & Thomas Rd.....	<i>Scottsdale Rd & Thomas Rd...</i>
		11:42	<i>15:01</i>
Deadhead		24th St & Thomas Rd.....	<i>Pima Park.....</i>
		11:56	<i>15:08</i>
Granite Reef Rd & Indian Sch	6:51	Central Ave & Thomas Rd.....	
		12:10	
Pima Rd & Chaparral Rd.....	6:55	19th Ave & Thomas Rd.....	29 / West / 199 / 20165525
		12:17	
		35th Ave & Thomas Rd.....	<i>Pima Park.....</i>
		12:27	<i>15:21</i>
Deadhead		51st Ave & Thomas Rd.....	<i>Scottsdale Rd & Thomas Rd...</i>
		12:34	<i>15:26</i>
Pima Rd & Chaparral Rd.....	7:27	67th Ave & Thomas Rd.....	<i>56th St & Thomas Rd.....</i>
		12:41	<i>15:32</i>
Granite Reef Rd & Indian Sch	7:31	Desert Sky TC.....	<i>44th St & Thomas Rd.....</i>
		12:50	<i>15:41</i>
		Desert Sky TC.....	<i>24th St & Thomas Rd.....</i>
		12:53	<i>15:55</i>
41 / West / 724 / 20165568		93rd Ave & Thomas Rd.....	<i>Central Ave & Thomas Rd.....</i>
		12:59	<i>16:10</i>
Granite Reef Rd & Indian Sch	7:31		<i>19th Ave & Thomas Rd.....</i>
			<i>16:17</i>
Scottsdale Rd & Indian School	7:36	Deadhead	<i>35th Ave & Thomas Rd.....</i>
			<i>16:26</i>
56th St & Indian School Rd.....	7:43	93rd Ave & Thomas Rd.....	<i>51st Ave & Thomas Rd.....</i>
		12:59	<i>16:33</i>
44th St & Indian School Rd.....	7:46	94th Av Layover.....	<i>67th Ave & Thomas Rd.....</i>
		13:00	<i>16:40</i>
32nd St & Indian School Rd.....	7:50		<i>Desert Sky TC.....</i>
			<i>16:50</i>
24th St & Indian School Rd.....	7:54		<i>Desert Sky TC.....</i>
			<i>16:53</i>
Central Ave & Indian School Rd.	8:05		<i>93rd Ave & Thomas Rd.....</i>
			<i>16:59</i>
Central Ave & Indian School Rd.	8:09		
19th Ave & Indian School Rd.....	8:17		
43rd Ave & Indian School Rd.....	8:33		
59th Ave & Indian School Rd.....	8:42		
83rd Ave & Indian School Rd.....	8:54		
107th Ave & Indian School Rd.	9:06		

Phoenix West

Effective: 01/22/2024

2043
Sunday

Duty Type	Block	Report Time	Start Place	Start Time	End Time	End Place	Clear Time	Paid Time	Seat Time
ST	2043	4:51	WEST	4:56	15:12	107I-E	15:29	10h38	9h04
	CAR		107I-E	15:12	15:29	WEST			

Sign-on	4:51	29 / West / 199 / 20165514			41 / West / 724 / 20165580				
		Pima Park.....	9:27		Granite Reef Rd & Indian Sch	13:26			
Block	2043	Scottsdale Rd & Thomas Rd.....	9:32		Scottsdale Rd & Indian School	13:31			
		56th St & Thomas Rd.....	9:38		56th St & Indian School Rd.....	13:38			
Pull Out		44th St & Thomas Rd.....	9:46		44th St & Indian School Rd.....	13:42			
West Transit Facility.....	5:11	24th St & Thomas Rd.....	9:57		32nd St & Indian School Rd.....	13:48			
Pima Park.....	6:01	Central Ave & Thomas Rd.....	10:10		24th St & Indian School Rd.....	13:53			
		19th Ave & Thomas Rd.....	10:16		Central Ave & Indian School Rd.	14:05			
29 / West / 199 / 20165506		35th Ave & Thomas Rd.....	10:24		Central Ave & Indian School Rd.	14:09			
Pima Park.....	6:01	51st Ave & Thomas Rd.....	10:31		19th Ave & Indian School Rd.....	14:17			
Scottsdale Rd & Thomas Rd.....	6:06	67th Ave & Thomas Rd.....	10:38		43rd Ave & Indian School Rd.....	14:33			
56th St & Thomas Rd.....	6:12	Desert Sky TC.....	10:47		59th Ave & Indian School Rd.....	14:42			
44th St & Thomas Rd.....	6:18	Desert Sky TC.....	10:50		83rd Ave & Indian School Rd.....	14:54			
24th St & Thomas Rd.....	6:28	93rd Ave & Thomas Rd.....	10:56		107th Ave & Indian School Rd.	15:06			
Central Ave & Thomas Rd.....	6:40								
19th Ave & Thomas Rd.....	6:46	Deadhead			Deadhead				
35th Ave & Thomas Rd.....	6:54	93rd Ave & Thomas Rd.....	10:56		107th Ave & Indian School Rd.	15:06			
51st Ave & Thomas Rd.....	7:00	107th Ave & Indian School Rd.	11:04		107th Ave & Indian School Rd.	15:12			
67th Ave & Thomas Rd.....	7:07								
Desert Sky TC.....	7:14	41 / East / 172 / 20165558			Travel by	CAR			
Desert Sky TC.....	7:17	107th Ave & Indian School Rd.	11:17						
93rd Ave & Thomas Rd.....	7:22	83rd Ave & Indian School Rd.....	11:25		Car Pull				
		59th Ave & Indian School Rd.....	11:36		107th Ave & Indian School Rd.	15:12			
Deadhead		43rd Ave & Indian School Rd.....	11:45		West Transit Facility.....	15:29			
93rd Ave & Thomas Rd.....	7:22	19th Ave & Indian School Rd.....	12:01						
94th Av Layover.....	7:23	Central Ave & Indian School Rd.	12:10		41 / East / 172 / 20165545				
		Central Ave & Indian School Rd.	12:14		107th Ave & Indian School Rd.	15:48			
Deadhead		24th St & Indian School Rd.....	12:28		83rd Ave & Indian School Rd..	15:57			
94th Av Layover.....	7:40	32nd St & Indian School Rd.....	12:32		59th Ave & Indian School Rd...	16:08			
93rd Ave & Thomas Rd.....	7:41	44th St & Indian School Rd.....	12:39		43rd Ave & Indian School Rd..	16:17			
		56th St & Indian School Rd.....	12:42		19th Ave & Indian School Rd...	16:31			
29 / East / 31 / 20165493		Scottsdale Rd & Indian School	12:49		Central Ave & Indian School R	16:40			
93rd Ave & Thomas Rd.....	7:41	Granite Reef Rd & Indian Sch	12:57		Central Ave & Indian School R	16:44			
Thomas Rd at Desert Sky TC....	7:46				24th St & Indian School Rd.....	16:58			
67th Ave & Thomas Rd.....	7:52	Deadhead			32nd St & Indian School Rd....	17:02			
51st Ave & Thomas Rd.....	7:58	Granite Reef Rd & Indian Sch	12:57		44th St & Indian School Rd.....	17:09			
35th Ave & Thomas Rd.....	8:05	Pima Rd & Chaparral Rd.....	13:01		56th St & Indian School Rd.....	17:12			
19th Ave & Thomas Rd.....	8:13				Scottsdale Rd & Indian Schoo	17:19			
Central Ave & Thomas Rd.....	8:20	Deadhead			Granite Reef Rd & Indian Sch	17:27			
24th St & Thomas Rd.....	8:31	Pima Rd & Chaparral Rd.....	13:22						
44th St & Thomas Rd.....	8:44	Granite Reef Rd & Indian Sch	13:26						
56th St & Thomas Rd.....	8:51								
Scottsdale Rd & Thomas Rd.....	8:57								
Pima Park.....	9:04								

Phoenix West

Effective: 01/22/2024

2044
Sunday

Duty Type	Block	Report Time	Start Place	Start Time	End Time	End Place	Clear Time	Paid Time	Seat Time
ST	2044	4:53	WEST	4:58	13:53	51HD			
	CAR		51HD	13:53	14:04	WEST	14:04	9h11	5h45

Sign-on	4:53	Deadhead			59 / North / 266 / 20165807				
		51st Ave & Hadley St.....		8:21	59th Ave & Buckeye Rd.....			11:25	
Block	2044	59th Ave & Buckeye Rd.....		8:25	59th Ave & Van Buren St.....			11:27	
					59th Ave & Thomas Rd.....			11:35	
Pull Out		59 / North / 266 / 20165805			59th Ave & Camelback Rd.....			11:43	
West Transit Facility.....	5:13	59th Ave & Buckeye Rd.....		8:25					
59th Ave & Buckeye Rd.....	5:25	59th Ave & Van Buren St.....		8:27	Deadhead				
		59th Ave & Thomas Rd.....		8:35	59th Ave & Camelback Rd.....			11:43	
59 / North / 266 / 20166012		59th Ave & Camelback Rd.....		8:43	75th Ave & Camelback Rd.....			11:52	
59th Ave & Buckeye Rd.....	5:25								
59th Ave & Van Buren St.....	5:27	Deadhead			75 / South / 149 / 20165843				
59th Ave & Thomas Rd.....	5:35	59th Ave & Camelback Rd.....		8:43	75th Ave & Camelback Rd.....			12:00	
59th Ave & Camelback Rd.....	5:43	75th Ave & Camelback Rd.....		8:52	Desert Sky TC.....			12:09	
					75th Ave & Van Buren St.....			12:21	
Deadhead		75 / South / 149 / 20165848			75th Ave & Lower Buckeye Rd			12:25	
59th Ave & Camelback Rd.....	5:43	75th Ave & Camelback Rd.....		9:00					
67th Ave & Camelback Rd.....	5:49	Desert Sky TC.....		9:08	Deadhead				
		75th Ave & Van Buren St.....		9:19	75th Ave & Lower Buckeye Rd			12:39	
67 / South / 254 / 20165232		75th Ave & Lower Buckeye Rd		9:23	Sierra Linda HS-North.....			12:44	
67th Ave & Camelback Rd.....	6:15								
67th Ave & Thomas Rd.....	6:22	Deadhead			67 / North / 250 / 20165838				
67th Ave & Van Buren St.....	6:30	75th Ave & Lower Buckeye Rd		9:42	Sierra Linda HS-North.....			12:44	
Sierra Linda HS-South.....	6:38	Sierra Linda HS-North.....		9:47	67th Ave & Van Buren St.....			12:53	
					67th Ave & Thomas Rd.....			13:02	
Deadhead		67 / North / 250 / 20165829			67th Ave & Camelback Rd.....			13:10	
Sierra Linda HS-South.....	6:38	Sierra Linda HS-North.....		9:47					
75th Ave & Lower Buckeye Rd	6:43	67th Ave & Van Buren St.....		9:54	Deadhead				
		67th Ave & Thomas Rd.....		10:03	67th Ave & Camelback Rd.....			13:10	
75 / North / 147 / 20165911		67th Ave & Camelback Rd.....		10:10	59th Ave & Camelback Rd.....			13:13	
75th Ave & Lower Buckeye Rd	6:55								
75th Ave & Van Buren St.....	7:00	Deadhead			59 / South / 220 / 20165798				
Desert Sky TC.....	7:08	67th Ave & Camelback Rd.....		10:10	59th Ave & Camelback Rd.....			13:27	
75th Ave & Camelback Rd.....	7:17	59th Ave & Camelback Rd.....		10:13	59th Ave & Thomas Rd.....			13:34	
					59th Ave & Van Buren St.....			13:43	
Deadhead		59 / South / 220 / 20165823			59th Ave & Buckeye Rd.....			13:46	
75th Ave & Camelback Rd.....	7:17	59th Ave & Camelback Rd.....		10:27					
59th Ave & Camelback Rd.....	7:22	59th Ave & Thomas Rd.....		10:34	Deadhead				
		59th Ave & Van Buren St.....		10:43	59th Ave & Buckeye Rd.....			13:46	
59 / South / 220 / 20165820		59th Ave & Buckeye Rd.....		10:46	51st Ave & Hadley St.....			13:50	
59th Ave & Camelback Rd.....	7:27								
59th Ave & Thomas Rd.....	7:34	Deadhead			Travel by			CAR	
59th Ave & Van Buren St.....	7:42	59th Ave & Buckeye Rd.....		10:46					
59th Ave & Buckeye Rd.....	7:45	51st Ave & Hadley St.....		10:50	Car Pull				
					51st Ave & Hadley St.....			13:53	
Deadhead		Deadhead			West Transit Facility.....			14:04	
59th Ave & Buckeye Rd.....	7:45	51st Ave & Hadley St.....		11:21					
51st Ave & Hadley St.....	7:49	59th Ave & Buckeye Rd.....		11:25	59 / North / 266 / 20165808				
					59th Ave & Buckeye Rd.....			14:23	
					59th Ave & Van Buren St.....			14:25	
					59th Ave & Thomas Rd.....			14:34	
					59th Ave & Camelback Rd.....			14:43	

Phoenix West

Effective: 01/22/2024

2045
Sunday

Duty Type	Block	Report Time	Start Place	Start Time	End Time	End Place	Clear Time	Paid Time	Seat Time
ST	2045	4:55	WEST	5:00	14:02	67VB			
	CAR		67VB	14:02	14:14	WEST	14:14	9h19	6h33

Sign-on	4:55	83 / South / 155 / 20165883				67 / South / 254 / 20165222			
		Arrowhead Mall North.....	8:02			67th Ave & Union Hills Dr.....		11:39	
Block	2045	83rd Ave & Thunderbird Rd.....	8:12			67th Ave & Thunderbird Rd.....		11:50	
		83rd Ave & Peoria Ave.....	8:18			67th Ave & Olive Ave.....		11:59	
Pull Out		83rd Ave & Glendale Ave.....	8:30			67th Ave & Glendale Ave.....		12:06	
West Transit Facility.....	5:15	83rd Ave & Camelback Rd.....	8:35			67th Ave & Camelback Rd.....		12:15	
75th Ave & Lower Buckeye Rd	5:25	Desert Sky TC.....	8:41			67th Ave & Thomas Rd.....		12:22	
		83rd Ave & Van Buren St.....	8:50			67th Ave & Van Buren St.....		12:32	
						Sierra Linda HS-South.....		12:41	
75 / North / 147 / 20166019		Deadhead							
75th Ave & Lower Buckeye Rd	5:25	83rd Ave & Van Buren St.....	8:50			Deadhead			
75th Ave & Van Buren St.....	5:29	83rd Ave & Van Buren St.....	8:54			Sierra Linda HS-South.....		12:41	
Desert Sky TC.....	5:37					75th Ave & Lower Buckeye Rd		12:46	
75th Ave & Camelback Rd.....	5:45								
		83 / North / 153 / 20165465							
Deadhead		83rd Ave & Van Buren St.....	9:03			75 / North / 147 / 20165916			
75th Ave & Camelback Rd.....	5:45	Desert Sky TC.....	9:12			75th Ave & Lower Buckeye Rd		12:55	
83rd Ave & Camelback Rd.....	5:48	83rd Ave & Camelback Rd.....	9:22			75th Ave & Van Buren St.....		13:00	
						Desert Sky TC.....		13:12	
83 / South / 155 / 20165446		Deadhead				75th Ave & Camelback Rd.....		13:22	
83rd Ave & Camelback Rd.....	6:05	83rd Ave & Camelback Rd.....	9:22			Deadhead			
Desert Sky TC.....	6:11	75th Ave & Camelback Rd.....	9:25			75th Ave & Camelback Rd.....		13:22	
83rd Ave & Van Buren St.....	6:19					67th Ave & Camelback Rd.....		13:25	
		75 / South / 149 / 20165416							
Deadhead		75th Ave & Camelback Rd.....	9:30			67 / South / 254 / 20165898			
83rd Ave & Van Buren St.....	6:19	Desert Sky TC.....	9:38			67th Ave & Camelback Rd.....		13:45	
83rd Ave & Van Buren St.....	6:23	75th Ave & Van Buren St.....	9:49			67th Ave & Thomas Rd.....		13:52	
		75th Ave & Lower Buckeye Rd	9:53			67th Ave & Van Buren St.....		14:02	
83 / North / 183 / 20165863		Deadhead							
83rd Ave & Van Buren St.....	6:35	75th Ave & Lower Buckeye Rd	10:12			Travel by		CAR	
Desert Sky TC.....	6:42	Sierra Linda HS-North.....	10:17						
83rd Ave & Camelback Rd.....	6:51					Car Pull			
83rd Ave & Glendale Ave.....	6:56	67 / North / 108 / 20165206				67th Ave & Van Buren St.....		14:02	
83rd Ave & Peoria Ave.....	7:06	Sierra Linda HS-North.....	10:17			West Transit Facility.....		14:14	
83rd Ave & Thunderbird Rd.....	7:12	67th Ave & Van Buren St.....	10:24						
Arrowhead Mall North.....	7:21	67th Ave & Thomas Rd.....	10:33			<i>Sierra Linda HS-South.....</i>		<i>14:11</i>	
		67th Ave & Camelback Rd.....	10:40						
Deadhead		67th Ave & Glendale Ave.....	10:50			75 / North / 147 / 20165434			
Arrowhead Mall North.....	7:21	67th Ave & Olive Ave.....	10:56			75th Ave & Lower Buckeye Rd		14:25	
Arrowhead Mall Layover.....	7:23	67th Ave & Thunderbird Rd.....	11:06			75th Ave & Van Buren St.....		14:31	
		67th Ave & Union Hills Dr.....	11:16			Desert Sky TC.....		14:43	
Deadhead						75th Ave & Camelback Rd.....		14:54	
Arrowhead Mall Layover.....	8:00	Deadhead							
Arrowhead Mall North.....	8:02	67th Ave & Union Hills Dr.....	11:16						
		67th Ave & Union Hills Dr.....	11:21						

Phoenix West

Effective: 01/22/2024

2046
Sunday

Duty Type	Block	Report Time	Start Place	Start Time	End Time	End Place	Clear Time	Paid Time	Seat Time
ST	2046 CAR	4:57	WEST 99MC	5:02 15:12	15:12 15:23	99MC WEST	15:23	10h26	8h44

Sign-on	4:57	Deadhead	17 / West / 253 / 20165369
		Pima Rd & McDowell Rd.....	9:00 Pima Rd & McDowell Rd..... 13:32
Block	2046	Pima Rd & McDowell Rd.....	9:07 Scottsdale Rd & McDowell Rd.... 13:39
			52nd St & McDowell Rd..... 13:46
Pull Out		17 / West / 253 / 20165373	44th St & McDowell Rd..... 13:49
West Transit Facility.....	5:17	Pima Rd & McDowell Rd.....	9:32 24th St & McDowell Rd..... 14:01
52nd St & McDowell Rd.....	5:50	Scottsdale Rd & McDowell Rd....	9:39 Central Ave & McDowell Rd..... 14:13
		52nd St & McDowell Rd.....	9:46 19th Ave & McDowell Rd..... 14:21
		44th St & McDowell Rd.....	9:49 43rd Ave & McDowell Rd..... 14:36
17 / West / 253 / 20165665		24th St & McDowell Rd.....	10:01 67th Ave & McDowell Rd..... 14:50
52nd St & McDowell Rd.....	5:50	Central Ave & McDowell Rd.....	10:13 83rd Ave & McDowell Rd..... 14:57
44th St & McDowell Rd.....	5:53	19th Ave & McDowell Rd.....	10:21 99th Ave & McDowell Rd..... 15:05
24th St & McDowell Rd.....	6:03	43rd Ave & McDowell Rd.....	10:36
Central Ave & McDowell Rd.....	6:13	67th Ave & McDowell Rd.....	10:50
19th Ave & McDowell Rd.....	6:19	83rd Ave & McDowell Rd.....	10:57
43rd Ave & McDowell Rd.....	6:31	99th Ave & McDowell Rd.....	11:05 99th Ave & McDowell Rd..... 15:05
67th Ave & McDowell Rd.....	6:42		15:12 99th Ave & McDowell Rd..... 15:12
83rd Ave & McDowell Rd.....	6:49		
99th Ave & McDowell Rd.....	6:57	Deadhead	Travel by CAR
		99th Ave & McDowell Rd.....	11:05 99th Ave & McDowell Rd..... 15:12
Deadhead		99th Ave & McDowell Rd.....	11:12 99th Ave & McDowell Rd..... 15:12
99th Ave & McDowell Rd.....	6:57		15:23 West Transit Facility..... 15:23
99th Ave & McDowell Rd.....	7:04	17 / East / 132 / 20165331	
		99th Ave & McDowell Rd.....	11:24 17 / East / 132 / 20165337
17 / East / 132 / 20165327		83rd Ave & McDowell Rd.....	11:32 99th Ave & McDowell Rd..... 15:24
99th Ave & McDowell Rd.....	7:24	67th Ave & McDowell Rd.....	11:39 83rd Ave & McDowell Rd..... 15:32
83rd Ave & McDowell Rd.....	7:32	43rd Ave & McDowell Rd.....	11:52 67th Ave & McDowell Rd..... 15:39
67th Ave & McDowell Rd.....	7:39	19th Ave & McDowell Rd.....	12:07 43rd Ave & McDowell Rd..... 15:52
43rd Ave & McDowell Rd.....	7:52	Central Ave & McDowell Rd.....	12:17 19th Ave & McDowell Rd..... 16:07
19th Ave & McDowell Rd.....	8:07	24th St & McDowell Rd.....	12:29 Central Ave & McDowell Rd.... 16:17
Central Ave & McDowell Rd.....	8:17	44th St & McDowell Rd.....	12:41 24th St & McDowell Rd..... 16:29
24th St & McDowell Rd.....	8:29	52nd St & McDowell Rd.....	12:44 44th St & McDowell Rd..... 16:41
44th St & McDowell Rd.....	8:41	Scottsdale Rd & McDowell Rd....	12:52 52nd St & McDowell Rd..... 16:44
52nd St & McDowell Rd.....	8:44	Pima Rd & McDowell Rd.....	13:00 Scottsdale Rd & McDowell Rd 16:52
Scottsdale Rd & McDowell Rd....	8:52		Pima Rd & McDowell Rd..... 17:00
Pima Rd & McDowell Rd.....	9:00	Deadhead	
		Pima Rd & McDowell Rd.....	13:00 Pima Rd & McDowell Rd..... 13:07
		Pima Rd & McDowell Rd.....	13:07

Phoenix West

Effective: 01/22/2024

2047
Sunday

Duty Type	Block	Report Time	Start Place	Start Time	End Time	End Place	Clear Time	Paid Time	Seat Time
ST	2047 CAR	4:59	WEST 51VB	5:04 13:45	13:45 13:59	51VB WEST	13:59	9h00	6h42

Sign-on	4:59	51 / South / 27 / 20165771					Travel by		CAR
		ASU West Campus.....	10:32						
Block	2047	51st Ave & Olive Ave.....	10:44				Car Pull		
		51st Ave & Glendale Ave.....	10:51				51st Ave & Van Buren St.....	13:45	
Pull Out		51st Ave & Camelback Rd.....	10:58				West Transit Facility.....	13:59	
West Transit Facility.....	5:19	51st Ave & Thomas Rd.....	11:07						
51st Ave & Baseline Rd.....	5:45	51st Ave & Van Buren St.....	11:15				<i>51st Ave & Lower Buckeye Rd</i>	<i>13:50</i>	
		51st Ave & Lower Buckeye Rd...	11:20				<i>51st Ave & Baseline Rd.....</i>	<i>13:58</i>	
		51st Ave & Baseline Rd.....	11:28				<i>Vee Quiva Casino.....</i>	<i>14:10</i>	
51 / North / 206 / 20165788							<i>Komatke Health Center.....</i>	<i>14:22</i>	
51st Ave & Baseline Rd.....	5:45						<i>51st Ave & Pecos Rd.....</i>	<i>14:26</i>	
51st Ave & Lower Buckeye Rd...	5:52	Deadhead							
51st Ave & Van Buren St.....	5:58	51st Ave & Baseline Rd.....	11:28						
51st Ave & Thomas Rd.....	6:05	51st Ave & Baseline Rd.....	11:33						
51st Ave & Camelback Rd.....	6:13						51 / North / 206 / 20165275		
51st Ave & Glendale Ave.....	6:18	51 / North / 206 / 20165765					<i>51st Ave & Pecos Rd.....</i>	<i>14:50</i>	
51st Ave & Olive Ave.....	6:25	51st Ave & Baseline Rd.....	11:43				<i>Vee Quiva Casino.....</i>	<i>15:00</i>	
ASU West Campus.....	6:35	51st Ave & Lower Buckeye Rd...	11:50				<i>51st Ave & Baseline Rd.....</i>	<i>15:12</i>	
		51st Ave & Van Buren St.....	11:57				<i>51st Ave & Lower Buckeye Rd</i>	<i>15:19</i>	
		51st Ave & Thomas Rd.....	12:05				<i>51st Ave & Van Buren St.....</i>	<i>15:26</i>	
		51st Ave & Camelback Rd.....	12:13				<i>51st Ave & Thomas Rd.....</i>	<i>15:35</i>	
		51st Ave & Glendale Ave.....	12:20				<i>51st Ave & Camelback Rd.....</i>	<i>15:43</i>	
		51st Ave & Olive Ave.....	12:27				<i>51st Ave & Glendale Ave.....</i>	<i>15:50</i>	
		ASU West Campus.....	12:38				<i>51st Ave & Olive Ave.....</i>	<i>15:57</i>	
							<i>ASU West Campus.....</i>	<i>16:08</i>	
51 / South / 28 / 20165282									
ASU West Campus.....	7:08	51 / South / 28 / 20165287							
51st Ave & Olive Ave.....	7:19	ASU West Campus.....	13:02						
51st Ave & Glendale Ave.....	7:25	51st Ave & Olive Ave.....	13:14						
51st Ave & Camelback Rd.....	7:30	51st Ave & Glendale Ave.....	13:21						
51st Ave & Thomas Rd.....	7:37	51st Ave & Olive Ave.....	13:28						
51st Ave & Van Buren St.....	7:45	ASU West Campus.....	12:38						
51st Ave & Lower Buckeye Rd...	7:50								
51st Ave & Baseline Rd.....	7:57	51st Ave & Thomas Rd.....	12:05						
Vee Quiva Casino.....	8:09	51st Ave & Camelback Rd.....	12:13						
Komatke Health Center.....	8:21	51st Ave & Glendale Ave.....	12:20						
51st Ave & Pecos Rd.....	8:25	51st Ave & Olive Ave.....	12:27						
		ASU West Campus.....	12:38						
51 / North / 206 / 20165269									
51st Ave & Pecos Rd.....	8:51	51st Ave & Thomas Rd.....	12:05						
Vee Quiva Casino.....	9:01	51st Ave & Camelback Rd.....	12:13						
51st Ave & Baseline Rd.....	9:13	51st Ave & Glendale Ave.....	12:20						
51st Ave & Lower Buckeye Rd...	9:20	51st Ave & Olive Ave.....	12:27						
51st Ave & Van Buren St.....	9:27	ASU West Campus.....	12:38						
51st Ave & Thomas Rd.....	9:35								
51st Ave & Camelback Rd.....	9:43								
51st Ave & Glendale Ave.....	9:50								
51st Ave & Olive Ave.....	9:57								
ASU West Campus.....	10:07								

Phoenix West

Effective: 01/22/2024

2048
Sunday

Duty Type	Block	Report Time	Start Place	Start Time	End Time	End Place	Clear Time	Paid Time	Seat Time
ST	2049	5:00	WEST 75BU	5:05	14:59	75BU	15:09	10h09	7h02

Sign-on	5:00	Deadhead			Deadhead				
		Buckeye Rd & 75th Av Westb		8:54	Buckeye Rd & 75th Av Westb				12:55
Block	2049	75th Ave & Buckeye Rd.....		8:58	75th Ave & Buckeye Rd.....				12:59
Pull Out		13 / East / 36 / 20165671			13 / East / 36 / 20165664				
West Transit Facility.....	5:20	75th Ave & Buckeye Rd.....		9:30	75th Ave & Buckeye Rd.....				13:30
75th Ave & Buckeye Rd.....	5:30	59th Ave & Buckeye Rd.....		9:34	59th Ave & Buckeye Rd.....				13:34
		43rd Ave & Buckeye Rd.....		9:39	43rd Ave & Buckeye Rd.....				13:39
13 / East / 36 / 20165991		19th Ave & Buckeye Rd.....		9:49	19th Ave & Buckeye Rd.....				13:49
75th Ave & Buckeye Rd.....	5:30	Central Ave & Buckeye Rd.....		9:55	Central Ave & Buckeye Rd.....				13:55
59th Ave & Buckeye Rd.....	5:34	16th St & Buckeye Rd.....		10:00	16th St & Buckeye Rd.....				14:00
43rd Ave & Buckeye Rd.....	5:39	Sky Harbor West.....		10:07	Sky Harbor West.....				14:07
19th Ave & Buckeye Rd.....	5:49								
Central Ave & Buckeye Rd.....	5:55	13 / West / 120 / 20165393			13 / West / 120 / 20165390				
16th St & Buckeye Rd.....	6:00	Sky Harbor West.....		10:15	Sky Harbor West.....				14:15
Sky Harbor West.....	6:07	16th St & Buckeye Rd.....		10:21	16th St & Buckeye Rd.....				14:22
		Central Ave & Buckeye Rd.....		10:26	Central Ave & Buckeye Rd.....				14:27
13 / West / 120 / 20165384		19th Ave & Buckeye Rd.....		10:33	19th Ave & Buckeye Rd.....				14:33
Sky Harbor West.....	6:15	43rd Ave & Buckeye Rd.....		10:43	43rd Ave & Buckeye Rd.....				14:43
16th St & Buckeye Rd.....	6:21	59th Ave & Buckeye Rd.....		10:48	59th Ave & Buckeye Rd.....				14:49
Central Ave & Buckeye Rd.....	6:26	Buckeye Rd & 75th Av Westb		10:54	Buckeye Rd & 75th Av Westb				14:55
19th Ave & Buckeye Rd.....	6:33								
43rd Ave & Buckeye Rd.....	6:43	Deadhead			Deadhead				
59th Ave & Buckeye Rd.....	6:48	Buckeye Rd & 75th Av Westb		10:54	Buckeye Rd & 75th Av Westb				14:55
Buckeye Rd & 75th Av Westb	6:54	75th Ave & Buckeye Rd.....		10:58	75th Ave & Buckeye Rd.....				14:59
Deadhead		13 / East / 36 / 20165673			Travel by				CAR
Buckeye Rd & 75th Av Westb	6:54	75th Ave & Buckeye Rd.....		11:30	Car Pull				
75th Ave & Buckeye Rd.....	6:58	59th Ave & Buckeye Rd.....		11:34	75th Ave & Buckeye Rd.....				14:59
		43rd Ave & Buckeye Rd.....		11:39	West Transit Facility.....				15:09
13 / East / 36 / 20165669		19th Ave & Buckeye Rd.....		11:49					
75th Ave & Buckeye Rd.....	7:30	Central Ave & Buckeye Rd.....		11:55	13 / East / 36 / 20165675				
59th Ave & Buckeye Rd.....	7:34	16th St & Buckeye Rd.....		12:00	75th Ave & Buckeye Rd.....				15:30
43rd Ave & Buckeye Rd.....	7:39	Sky Harbor West.....		12:07	59th Ave & Buckeye Rd.....				15:34
19th Ave & Buckeye Rd.....	7:49				43rd Ave & Buckeye Rd.....				15:39
Central Ave & Buckeye Rd.....	7:55	13 / West / 120 / 20165381			19th Ave & Buckeye Rd.....				15:49
16th St & Buckeye Rd.....	8:00	Sky Harbor West.....		12:15	Central Ave & Buckeye Rd.....				15:55
Sky Harbor West.....	8:07	16th St & Buckeye Rd.....		12:22	16th St & Buckeye Rd.....				16:00
		Central Ave & Buckeye Rd.....		12:27	Sky Harbor West.....				16:07
13 / West / 120 / 20165385		19th Ave & Buckeye Rd.....		12:33					
Sky Harbor West.....	8:15	43rd Ave & Buckeye Rd.....		12:43					
16th St & Buckeye Rd.....	8:21	59th Ave & Buckeye Rd.....		12:49					
Central Ave & Buckeye Rd.....	8:26	Buckeye Rd & 75th Av Westb		12:55					
19th Ave & Buckeye Rd.....	8:33								
43rd Ave & Buckeye Rd.....	8:43								
59th Ave & Buckeye Rd.....	8:48								
Buckeye Rd & 75th Av Westb	8:54								

Phoenix West

Effective: 01/22/2024

2049
Sunday

Duty Type	Block	Report Time	Start Place	Start Time	End Time	End Place	Clear Time	Paid Time	Seat Time
ST	2048 CAR	5:00	WEST 83VB	5:05 14:05	14:05 14:12	83VB WEST	14:12	9h12	7h28

Sign-on	5:00	3 / East / 86 / 20165620	3 / West / 104 / 20165600
		83rd Ave & Van Buren St.....	8:25 Phoenix Zoo.....
Block	2048	67th Ave & Van Buren St.....	Galvin Pkwy & Van Buren St.....
		51st Ave & Van Buren St.....	44th St & Van Buren St.....
Pull Out		35th Ave & Van Buren St.....	24th St & Van Buren St.....
West Transit Facility.....	5:20	19th Ave & Van Buren St.....	2nd Ave & Van Buren St.....
83rd Ave & Van Buren St.....	5:25	Central Ave & Van Buren St.....	19th Ave & Van Buren St.....
		24th St & Van Buren St.....	35th Ave & Van Buren St.....
		44th St & Van Buren St.....	51st Ave & Van Buren St.....
3 / East / 181 / 20165982		Galvin Pkwy & Van Buren St.....	67th Ave & Van Buren St.....
83rd Ave & Van Buren St.....	5:25	Phoenix Zoo.....	9:36 83rd Ave & Van Buren St.....
67th Ave & Van Buren St.....	5:30		
51st Ave & Van Buren St.....	5:39		
35th Ave & Van Buren St.....	5:48	3 / West / 104 / 20165597	Deadhead
19th Ave & Van Buren St.....	5:56	Phoenix Zoo.....	83rd Ave & Van Buren St.....
Central Ave & Van Buren St.....	6:05	Galvin Pkwy & Van Buren St.....	83rd Ave & Van Buren St.....
24th St & Van Buren St.....	6:16	44th St & Van Buren St.....	
44th St & Van Buren St.....	6:25	24th St & Van Buren St.....	Travel by
Galvin Pkwy & Van Buren St...	6:32	2nd Ave & Van Buren St.....	CAR
		19th Ave & Van Buren St.....	
Deadhead		35th Ave & Van Buren St.....	Car Pull
Galvin Pkwy & Van Buren St...	6:32	51st Ave & Van Buren St.....	83rd Ave & Van Buren St.....
Phoenix Zoo.....	6:37	67th Ave & Van Buren St.....	West Transit Facility.....
		83rd Ave & Van Buren St.....	14:05
			14:12
3 / West / 104 / 20165595			
Phoenix Zoo.....	6:51	Deadhead	3 / East / 86 / 20165626
Galvin Pkwy & Van Buren St.....	6:54	83rd Ave & Van Buren St.....	83rd Ave & Van Buren St.....
44th St & Van Buren St.....	7:00	83rd Ave & Van Buren St.....	67th Ave & Van Buren St.....
24th St & Van Buren St.....	7:08		51st Ave & Van Buren St.....
2nd Ave & Van Buren St.....	7:20	3 / East / 86 / 20165627	35th Ave & Van Buren St.....
19th Ave & Van Buren St.....	7:28	83rd Ave & Van Buren St.....	19th Ave & Van Buren St.....
35th Ave & Van Buren St.....	7:37	67th Ave & Van Buren St.....	Central Ave & Van Buren St....
51st Ave & Van Buren St.....	7:46	51st Ave & Van Buren St.....	24th St & Van Buren St.....
67th Ave & Van Buren St.....	7:53	35th Ave & Van Buren St.....	44th St & Van Buren St.....
83rd Ave & Van Buren St.....	8:01	19th Ave & Van Buren St.....	Galvin Pkwy & Van Buren St...
		Central Ave & Van Buren St.....	Phoenix Zoo.....
Deadhead		24th St & Van Buren St.....	
83rd Ave & Van Buren St.....	8:01	44th St & Van Buren St.....	
83rd Ave & Van Buren St.....	8:05	Galvin Pkwy & Van Buren St.....	
		Phoenix Zoo.....	

Phoenix West

Effective: 01/22/2024

2050
Sunday

Duty Type	Block	Report Time	Start Place	Start Time	End Time	End Place	Clear Time	Paid Time	Seat Time
ST	2050 CAR	5:01	WEST 44MC	5:06 14:41	14:41 15:11	44MC WEST	15:11	10h10	8h31

Sign-on	5:01	Deadhead				Deadhead			
		99th Ave & McDowell Rd.....		9:05		99th Ave & McDowell Rd.....		13:05	
Block	2050	99th Ave & McDowell Rd.....		9:12		99th Ave & McDowell Rd.....		13:12	
Pull Out		17 / East / 132 / 20165329				17 / East / 132 / 20165335			
West Transit Facility.....	5:21	99th Ave & McDowell Rd.....		9:24		99th Ave & McDowell Rd.....		13:24	
99th Ave & McDowell Rd.....	5:31	83rd Ave & McDowell Rd.....		9:32		83rd Ave & McDowell Rd.....		13:32	
		67th Ave & McDowell Rd.....		9:39		67th Ave & McDowell Rd.....		13:39	
		43rd Ave & McDowell Rd.....		9:52		43rd Ave & McDowell Rd.....		13:52	
17 / East / 132 / 20165325		19th Ave & McDowell Rd.....		10:07		19th Ave & McDowell Rd.....		14:07	
99th Ave & McDowell Rd.....	5:31	Central Ave & McDowell Rd.....		10:17		Central Ave & McDowell Rd.....		14:17	
83rd Ave & McDowell Rd.....	5:39	24th St & McDowell Rd.....		10:29		24th St & McDowell Rd.....		14:29	
67th Ave & McDowell Rd.....	5:46	44th St & McDowell Rd.....		10:41		44th St & McDowell Rd.....		14:41	
43rd Ave & McDowell Rd.....	5:57	52nd St & McDowell Rd.....		10:44					
19th Ave & McDowell Rd.....	6:09	Scottsdale Rd & McDowell Rd....		10:52		Travel by		CAR	
Central Ave & McDowell Rd.....	6:17	Pima Rd & McDowell Rd.....		11:00					
24th St & McDowell Rd.....	6:27					Car Pull			
44th St & McDowell Rd.....	6:37	Deadhead				44th St & McDowell Rd.....		14:41	
52nd St & McDowell Rd.....	6:40	Pima Rd & McDowell Rd.....		11:00		West Transit Facility.....		15:11	
Scottsdale Rd & McDowell Rd....	6:47	Pima Rd & McDowell Rd.....		11:07					
Pima Rd & McDowell Rd.....	6:55								
Deadhead		17 / West / 253 / 20165371				52nd St & McDowell Rd.....		14:44	
Pima Rd & McDowell Rd.....	6:55	Pima Rd & McDowell Rd.....		11:32		Scottsdale Rd & McDowell Rd		14:52	
Pima Rd & McDowell Rd.....	7:02	Scottsdale Rd & McDowell Rd....		11:39		<i>Pima Rd & McDowell Rd.....</i>		<i>15:00</i>	
		52nd St & McDowell Rd.....		11:46					
17 / West / 253 / 20165370		44th St & McDowell Rd.....		11:49		17 / West / 253 / 20165377			
Pima Rd & McDowell Rd.....	7:32	24th St & McDowell Rd.....		12:01		<i>Pima Rd & McDowell Rd.....</i>		<i>15:32</i>	
Scottsdale Rd & McDowell Rd....	7:39	Central Ave & McDowell Rd.....		12:13		<i>Scottsdale Rd & McDowell Rd</i>		<i>15:39</i>	
52nd St & McDowell Rd.....	7:46	19th Ave & McDowell Rd.....		12:21		<i>52nd St & McDowell Rd.....</i>		<i>15:46</i>	
44th St & McDowell Rd.....	7:49	43rd Ave & McDowell Rd.....		12:36		<i>44th St & McDowell Rd.....</i>		<i>15:49</i>	
24th St & McDowell Rd.....	8:01	67th Ave & McDowell Rd.....		12:50		<i>24th St & McDowell Rd.....</i>		<i>16:01</i>	
Central Ave & McDowell Rd.....	8:13	83rd Ave & McDowell Rd.....		12:57		<i>Central Ave & McDowell Rd....</i>		<i>16:13</i>	
19th Ave & McDowell Rd.....	8:21	99th Ave & McDowell Rd.....		13:05		<i>19th Ave & McDowell Rd.....</i>		<i>16:21</i>	
43rd Ave & McDowell Rd.....	8:36					<i>43rd Ave & McDowell Rd.....</i>		<i>16:36</i>	
67th Ave & McDowell Rd.....	8:50					<i>67th Ave & McDowell Rd.....</i>		<i>16:50</i>	
83rd Ave & McDowell Rd.....	8:57					<i>83rd Ave & McDowell Rd.....</i>		<i>16:57</i>	
99th Ave & McDowell Rd.....	9:05					<i>99th Ave & McDowell Rd.....</i>		<i>17:05</i>	

Phoenix West

Effective: 01/22/2024

2051
Sunday

Duty Type	Block	Report Time	Start Place	Start Time	End Time	End Place	Clear Time	Paid Time	Seat Time
ST	2051	5:09	WEST	5:14	13:32	67VB			
	CAR		67VB	13:32	13:44	WEST	13:44	8h35	6h13

Sign-on	5:09	Deadhead				67 / North / 108 / 20165207			
		Arrowhead Mall North.....		8:23		Sierra Linda HS-North.....		11:16	
Block	2051	Arrowhead Mall Layover.....		8:25		67th Ave & Van Buren St.....		11:23	
						67th Ave & Thomas Rd.....		11:32	
Pull Out		Deadhead				67th Ave & Camelback Rd.....		11:40	
West Transit Facility.....	5:29	Arrowhead Mall Layover.....		9:00		67th Ave & Glendale Ave.....		11:50	
67th Ave & Camelback Rd.....	5:45	Arrowhead Mall North.....		9:02		67th Ave & Olive Ave.....		11:56	
						67th Ave & Thunderbird Rd.....		12:06	
						67th Ave & Union Hills Dr.....		12:16	
67 / South / 254 / 20166015		83 / South / 155 / 20165882							
67th Ave & Camelback Rd.....	5:45	Arrowhead Mall North.....		9:02					
67th Ave & Thomas Rd.....	5:52	83rd Ave & Thunderbird Rd.....		9:12		Deadhead			
67th Ave & Van Buren St.....	6:00	83rd Ave & Peoria Ave.....		9:18		67th Ave & Union Hills Dr.....		12:16	
Sierra Linda HS-South.....	6:08	83rd Ave & Glendale Ave.....		9:30		67th Ave & Union Hills Dr.....		12:21	
		83rd Ave & Camelback Rd.....		9:35					
Deadhead		Desert Sky TC.....		9:41		67 / South / 254 / 20165223			
Sierra Linda HS-South.....	6:08	83rd Ave & Van Buren St.....		9:50		67th Ave & Union Hills Dr.....		12:39	
75th Ave & Lower Buckeye Rd	6:13					67th Ave & Thunderbird Rd.....		12:50	
		Deadhead				67th Ave & Olive Ave.....		12:59	
75 / North / 147 / 20165429		83rd Ave & Van Buren St.....		9:50		67th Ave & Glendale Ave.....		13:06	
75th Ave & Lower Buckeye Rd	6:25	83rd Ave & Van Buren St.....		9:54		67th Ave & Camelback Rd.....		13:15	
75th Ave & Van Buren St.....	6:30					67th Ave & Thomas Rd.....		13:22	
Desert Sky TC.....	6:38	83 / North / 153 / 20165462				67th Ave & Van Buren St.....		13:32	
75th Ave & Camelback Rd.....	6:47	83rd Ave & Van Buren St.....		10:03					
		Desert Sky TC.....		10:12		Travel by		CAR	
Deadhead		83rd Ave & Camelback Rd.....		10:22					
75th Ave & Camelback Rd.....	6:47					Car Pull			
83rd Ave & Camelback Rd.....	6:50	Deadhead				67th Ave & Van Buren St.....		13:32	
		83rd Ave & Camelback Rd.....		10:22		West Transit Facility.....		13:44	
83 / South / 155 / 20165448		75th Ave & Camelback Rd.....		10:25					
83rd Ave & Camelback Rd.....	7:05					<i>Sierra Linda HS-South.....</i>		<i>13:41</i>	
Desert Sky TC.....	7:11	75 / South / 149 / 20165417							
83rd Ave & Van Buren St.....	7:20	75th Ave & Camelback Rd.....		10:30		75 / North / 147 / 20165913			
		Desert Sky TC.....		10:38		75th Ave & Lower Buckeye Rd		13:55	
Deadhead		75th Ave & Van Buren St.....		10:49		75th Ave & Van Buren St.....		14:01	
83rd Ave & Van Buren St.....	7:20	75th Ave & Lower Buckeye Rd		10:53		Desert Sky TC.....		14:13	
83rd Ave & Van Buren St.....	7:24					75th Ave & Camelback Rd.....		14:23	
		Deadhead							
83 / North / 183 / 20165861		75th Ave & Lower Buckeye Rd		11:11					
83rd Ave & Van Buren St.....	7:34	Sierra Linda HS-North.....		11:16					
Desert Sky TC.....	7:42								
83rd Ave & Camelback Rd.....	7:51								
83rd Ave & Glendale Ave.....	7:56								
83rd Ave & Peoria Ave.....	8:07								
83rd Ave & Thunderbird Rd.....	8:13								
Arrowhead Mall North.....	8:23								

Phoenix West

Effective: 01/22/2024

2052
Sunday

Duty Type	Block	Report Time	Start Place	Start Time	End Time	End Place	Clear Time	Paid Time	Seat Time
ST	2052 CAR	5:16	WEST DSTC	5:21 13:42	13:42 13:56	DSTC WEST	13:56	8h40	6h22

Sign-on	5:16	Deadhead				Deadhead			
		67th Ave & Union Hills Dr.....		9:15		75th Ave & Camelback Rd.....		12:52	
Block	2052	67th Ave & Union Hills Dr.....		9:20		83rd Ave & Camelback Rd.....		12:55	
Pull Out		67 / South / 254 / 20165220				83 / South / 155 / 20165452			
West Transit Facility.....	5:36	67th Ave & Union Hills Dr.....		9:40		83rd Ave & Camelback Rd.....		13:02	
Arrowhead Mall North.....	6:03	67th Ave & Thunderbird Rd.....		9:50		Desert Sky TC.....		13:11	
		67th Ave & Olive Ave.....		9:59		83rd Ave & Van Buren St.....		13:21	
		67th Ave & Glendale Ave.....		10:06					
83 / South / 155 / 20165887		67th Ave & Camelback Rd.....		10:15		Deadhead			
Arrowhead Mall North.....	6:03	67th Ave & Thomas Rd.....		10:22		83rd Ave & Van Buren St.....		13:21	
83rd Ave & Thunderbird Rd.....	6:13	67th Ave & Van Buren St.....		10:30		83rd Ave & Van Buren St.....		13:25	
83rd Ave & Peoria Ave.....	6:19	Sierra Linda HS-South.....		10:38					
83rd Ave & Glendale Ave.....	6:30								
83rd Ave & Camelback Rd.....	6:35					83 / North / 183 / 20165855			
Desert Sky TC.....	6:41	Deadhead				83rd Ave & Van Buren St.....		13:33	
83rd Ave & Van Buren St.....	6:49	Sierra Linda HS-South.....		10:38		Desert Sky TC.....		13:42	
		75th Ave & Lower Buckeye Rd		10:43					
Deadhead						Travel by		CAR	
83rd Ave & Van Buren St.....	6:49	75 / North / 147 / 20165919				Car Pull			
83rd Ave & Van Buren St.....	6:53	75th Ave & Lower Buckeye Rd		10:55		Desert Sky TC.....		13:42	
		75th Ave & Van Buren St.....		11:00		West Transit Facility.....		13:56	
83 / North / 153 / 20165464		Desert Sky TC.....		11:11					
83rd Ave & Van Buren St.....	7:04	75th Ave & Camelback Rd.....		11:20					
Desert Sky TC.....	7:12					<i>83rd Ave & Camelback Rd.....</i>		<i>13:52</i>	
83rd Ave & Camelback Rd.....	7:21	Deadhead				<i>83rd Ave & Glendale Ave.....</i>		<i>13:57</i>	
		75th Ave & Camelback Rd.....		11:20		<i>83rd Ave & Peoria Ave.....</i>		<i>14:09</i>	
		67th Ave & Camelback Rd.....		11:23		<i>83rd Ave & Thunderbird Rd.....</i>		<i>14:15</i>	
Deadhead						<i>Arrowhead Mall North.....</i>		<i>14:26</i>	
83rd Ave & Camelback Rd.....	7:21	67 / South / 254 / 20165896							
75th Ave & Camelback Rd.....	7:24	67th Ave & Camelback Rd.....		11:45		83 / South / 155 / 20165873			
		67th Ave & Thomas Rd.....		11:52		<i>Arrowhead Mall North.....</i>		<i>14:58</i>	
75 / South / 149 / 20165414		67th Ave & Van Buren St.....		12:00		<i>83rd Ave & Thunderbird Rd.....</i>		<i>15:09</i>	
75th Ave & Camelback Rd.....	7:30	Sierra Linda HS-South.....		12:08		<i>83rd Ave & Peoria Ave.....</i>		<i>15:15</i>	
Desert Sky TC.....	7:38					<i>83rd Ave & Glendale Ave.....</i>		<i>15:28</i>	
75th Ave & Van Buren St.....	7:49	Deadhead				<i>83rd Ave & Camelback Rd.....</i>		<i>15:33</i>	
75th Ave & Lower Buckeye Rd	7:53	Sierra Linda HS-South.....		12:08		<i>Desert Sky TC.....</i>		<i>15:41</i>	
		75th Ave & Lower Buckeye Rd		12:13		<i>83rd Ave & Van Buren St.....</i>		<i>15:51</i>	
Deadhead		75 / North / 147 / 20165436							
75th Ave & Lower Buckeye Rd	8:13	75th Ave & Lower Buckeye Rd		12:25					
Sierra Linda HS-North.....	8:18	75th Ave & Van Buren St.....		12:30					
		Desert Sky TC.....		12:42					
67 / North / 108 / 20165203		75th Ave & Camelback Rd.....		12:52					
Sierra Linda HS-North.....	8:18								
67th Ave & Van Buren St.....	8:25								
67th Ave & Thomas Rd.....	8:33								
67th Ave & Camelback Rd.....	8:40								
67th Ave & Glendale Ave.....	8:49								
67th Ave & Olive Ave.....	8:55								
67th Ave & Thunderbird Rd.....	9:05								
67th Ave & Union Hills Dr.....	9:15								

Phoenix West

Effective: 01/22/2024

2053
Sunday

Duty Type	Block	Report Time	Start Place	Start Time	End Time	End Place	Clear Time	Paid Time	Seat Time
ST	2053 CAR	5:20	WEST 51HD	5:25 13:20	13:20 13:31	51HD WEST	13:31	8h11	6h14

Sign-on	5:20	59 / South / 220 / 20165323				59 / South / 220 / 20165293			
		59th Ave & Beardsley Rd.....	9:18	59th Ave & Beardsley Rd.....	12:13				
Block	2053	59th Ave & Bell Rd.....	9:23	59th Ave & Bell Rd.....	12:19				
		59th Ave & Thunderbird Rd.....	9:30	59th Ave & Thunderbird Rd.....	12:26				
Pull Out		59th Ave & Olive Ave.....	9:41	59th Ave & Olive Ave.....	12:38				
West Transit Facility.....	5:40	59th Ave & Glendale Ave.....	9:49	59th Ave & Glendale Ave.....	12:48				
59th Ave & Beardsley Rd.....	6:18	59th Ave & Camelback Rd.....	9:57	59th Ave & Camelback Rd.....	12:57				
		59th Ave & Thomas Rd.....	10:04	59th Ave & Thomas Rd.....	13:04				
59 / South / 220 / 20165314		59th Ave & Van Buren St.....	10:13	59th Ave & Van Buren St.....	13:13				
59th Ave & Beardsley Rd.....	6:18	59th Ave & Buckeye Rd.....	10:16	59th Ave & Buckeye Rd.....	13:16				
59th Ave & Bell Rd.....	6:23								
59th Ave & Thunderbird Rd.....	6:30	Deadhead		Deadhead					
59th Ave & Olive Ave.....	6:41	59th Ave & Buckeye Rd.....	10:16	59th Ave & Buckeye Rd.....	13:16				
59th Ave & Glendale Ave.....	6:49	51st Ave & Hadley St.....	10:20	51st Ave & Hadley St.....	13:20				
59th Ave & Camelback Rd.....	6:57								
59th Ave & Thomas Rd.....	7:04	Deadhead		Travel by	CAR				
59th Ave & Van Buren St.....	7:12	51st Ave & Hadley St.....	10:51						
59th Ave & Buckeye Rd.....	7:15	59th Ave & Buckeye Rd.....	10:55	Car Pull					
				51st Ave & Hadley St.....	13:20				
Deadhead		59 / North / 830 / 20165307		West Transit Facility.....	13:31				
59th Ave & Buckeye Rd.....	7:15	59th Ave & Buckeye Rd.....	10:55						
51st Ave & Hadley St.....	7:19	59th Ave & Van Buren St.....	10:57	59 / North / 830 / 20165294					
		59th Ave & Thomas Rd.....	11:05	59th Ave & Buckeye Rd.....	13:53				
Deadhead		59th Ave & Camelback Rd.....	11:13	59th Ave & Van Buren St.....	13:55				
51st Ave & Hadley St.....	7:51	59th Ave & Glendale Ave.....	11:23	59th Ave & Thomas Rd.....	14:04				
59th Ave & Buckeye Rd.....	7:55	59th Ave & Olive Ave.....	11:32	59th Ave & Camelback Rd.....	14:13				
		59th Ave & Thunderbird Rd.....	11:44	59th Ave & Glendale Ave.....	14:23				
59 / North / 830 / 20165315		59th Ave & Bell Rd.....	11:51	59th Ave & Olive Ave.....	14:33				
59th Ave & Buckeye Rd.....	7:55	59th Ave & Beardsley Rd.....	11:59	59th Ave & Thunderbird Rd.....	14:45				
59th Ave & Van Buren St.....	7:57			59th Ave & Bell Rd.....	14:52				
59th Ave & Thomas Rd.....	8:05			59th Ave & Beardsley Rd.....	15:01				
59th Ave & Camelback Rd.....	8:13								
59th Ave & Glendale Ave.....	8:23								
59th Ave & Olive Ave.....	8:32								
59th Ave & Thunderbird Rd.....	8:43								
59th Ave & Bell Rd.....	8:50								
59th Ave & Beardsley Rd.....	8:58								

Phoenix West

Effective: 01/22/2024

2054
Sunday

Duty Type	Block	Report Time	Start Place	Start Time	End Time	End Place	Clear Time	Paid Time	Seat Time
ST	2054 CAR	5:20	WEST 67TH	5:25 14:13	14:13 14:29	67TH WEST	14:29	9h09	7h15

Sign-on	5:20	Deadhead				Deadhead			
		107th Ave & Indian School Rd.		9:36		94th Av Layover.....		13:59	
Block	2054	93rd Ave & Thomas Rd.....		9:44		93rd Ave & Thomas Rd.....		14:00	
Pull Out		29 / East / 31 / 20165481				29 / East / 31 / 20165482			
West Transit Facility.....	5:40	93rd Ave & Thomas Rd.....		10:05		93rd Ave & Thomas Rd.....		14:00	
107th Ave & Indian School Rd.	5:55	Thomas Rd at Desert Sky TC....		10:11		Thomas Rd at Desert Sky TC....		14:06	
		67th Ave & Thomas Rd.....		10:18		67th Ave & Thomas Rd.....		14:13	
		51st Ave & Thomas Rd.....		10:25					
41 / East / 172 / 20165533		35th Ave & Thomas Rd.....		10:32		Travel by		CAR	
107th Ave & Indian School Rd.	5:55	19th Ave & Thomas Rd.....		10:42		Car Pull			
83rd Ave & Indian School Rd.....	6:03	Central Ave & Thomas Rd.....		10:50		67th Ave & Thomas Rd.....		14:13	
59th Ave & Indian School Rd.....	6:12	24th St & Thomas Rd.....		11:01		West Transit Facility.....		14:29	
43rd Ave & Indian School Rd.....	6:21	44th St & Thomas Rd.....		11:15					
19th Ave & Indian School Rd.....	6:33	56th St & Thomas Rd.....		11:22		<i>51st Ave & Thomas Rd.....</i>		<i>14:23</i>	
Central Ave & Indian School Rd.	6:40	Scottsdale Rd & Thomas Rd....		11:28		<i>35th Ave & Thomas Rd.....</i>		<i>14:32</i>	
Central Ave & Indian School Rd.	6:44	Pima Park.....		11:35		<i>19th Ave & Thomas Rd.....</i>		<i>14:42</i>	
24th St & Indian School Rd.....	6:54					<i>Central Ave & Thomas Rd.....</i>		<i>14:50</i>	
32nd St & Indian School Rd.....	6:57	29 / West / 199 / 20165519				<i>24th St & Thomas Rd.....</i>		<i>15:03</i>	
44th St & Indian School Rd.....	7:04	Pima Park.....		11:53		<i>44th St & Thomas Rd.....</i>		<i>15:18</i>	
56th St & Indian School Rd.....	7:07	Scottsdale Rd & Thomas Rd....		11:58		<i>56th St & Thomas Rd.....</i>		<i>15:25</i>	
Scottsdale Rd & Indian School	7:14	56th St & Thomas Rd.....		12:04		<i>Scottsdale Rd & Thomas Rd...</i>		<i>15:31</i>	
Granite Reef Rd & Indian Sch	7:21	44th St & Thomas Rd.....		12:12		<i>Pima Park.....</i>		<i>15:38</i>	
Deadhead		24th St & Thomas Rd.....		12:26					
Granite Reef Rd & Indian Sch	7:21	Central Ave & Thomas Rd.....		12:40					
Pima Rd & Chaparral Rd.....	7:25	19th Ave & Thomas Rd.....		12:47		29 / West / 199 / 20165526			
		35th Ave & Thomas Rd.....		12:57		<i>Pima Park.....</i>		<i>15:51</i>	
Deadhead		51st Ave & Thomas Rd.....		13:04		<i>Scottsdale Rd & Thomas Rd...</i>		<i>15:56</i>	
Pima Rd & Chaparral Rd.....	7:52	67th Ave & Thomas Rd.....		13:11		<i>56th St & Thomas Rd.....</i>		<i>16:02</i>	
Granite Reef Rd & Indian Sch	7:56	Desert Sky TC.....		13:21		<i>44th St & Thomas Rd.....</i>		<i>16:11</i>	
		Desert Sky TC.....		13:24		<i>24th St & Thomas Rd.....</i>		<i>16:25</i>	
		93rd Ave & Thomas Rd.....		13:30		<i>Central Ave & Thomas Rd.....</i>		<i>16:40</i>	
41 / West / 724 / 20165571						<i>19th Ave & Thomas Rd.....</i>		<i>16:47</i>	
Granite Reef Rd & Indian Sch	7:56	Deadhead				<i>35th Ave & Thomas Rd.....</i>		<i>16:56</i>	
Scottsdale Rd & Indian School	8:01	93rd Ave & Thomas Rd.....		13:30		<i>51st Ave & Thomas Rd.....</i>		<i>17:03</i>	
56th St & Indian School Rd.....	8:08	94th Av Layover.....		13:31		<i>67th Ave & Thomas Rd.....</i>		<i>17:10</i>	
44th St & Indian School Rd.....	8:12					<i>Desert Sky TC.....</i>		<i>17:20</i>	
32nd St & Indian School Rd.....	8:18					<i>Desert Sky TC.....</i>		<i>17:23</i>	
24th St & Indian School Rd.....	8:23					<i>93rd Ave & Thomas Rd.....</i>		<i>17:29</i>	
Central Ave & Indian School Rd.	8:35								
Central Ave & Indian School Rd.	8:39								
19th Ave & Indian School Rd.....	8:47								
43rd Ave & Indian School Rd.....	9:03								
59th Ave & Indian School Rd.....	9:12								
83rd Ave & Indian School Rd.....	9:24								
107th Ave & Indian School Rd.	9:36								

Phoenix West

Effective: 01/22/2024

2055
Sunday

Duty Type	Block	Report Time	Start Place	Start Time	End Time	End Place	Clear Time	Paid Time	Seat Time
ST	2055	5:26	WEST	5:31	11:43	DSTC			
	CAR		DSTC	11:43	11:57	WEST	11:57	6h31	5h37

Sign-on	5:26	MARY / ClkWs / 786 / 20166030				Travel by		CAR
		Desert Sky TC.....	8:00					
Block	2055	59th Ave & Thomas Rd.....	8:13			Car Pull		
		67th Ave & Campbell Ave.....	8:24			Desert Sky TC.....	11:43	
Pull Out		51st Ave & Indian School Rd.....	8:35			West Transit Facility.....	11:57	
West Transit Facility.....	5:46	55th Ave & Encanto Blvd.....	8:49					
Desert Sky TC.....	6:00	63rd Ave & Fillmore St.....	8:58			MARY / ClkWs / 786 / 20166031		
		75th Ave & Encanto Blvd.....	9:12			<i>Desert Sky TC.....</i>	<i>12:00</i>	
MARY / ClkWs / 786 / 20166025		83rd Ave & Osborn Rd.....	9:30			<i>59th Ave & Thomas Rd.....</i>	<i>12:13</i>	
Desert Sky TC.....	6:00	Desert Sky TC.....	9:43			<i>67th Ave & Campbell Ave.....</i>	<i>12:24</i>	
59th Ave & Thomas Rd.....	6:13					<i>51st Ave & Indian School Rd...</i>	<i>12:35</i>	
67th Ave & Campbell Ave.....	6:24	MARY / ClkWs / 786 / 20166033				<i>55th Ave & Encanto Blvd.....</i>	<i>12:49</i>	
51st Ave & Indian School Rd.....	6:35	Desert Sky TC.....	10:00			<i>63rd Ave & Fillmore St.....</i>	<i>12:58</i>	
55th Ave & Encanto Blvd.....	6:49	59th Ave & Thomas Rd.....	10:13			<i>75th Ave & Encanto Blvd.....</i>	<i>13:12</i>	
63rd Ave & Fillmore St.....	6:58	67th Ave & Campbell Ave.....	10:24			<i>83rd Ave & Osborn Rd.....</i>	<i>13:30</i>	
75th Ave & Encanto Blvd.....	7:12	51st Ave & Indian School Rd.....	10:35			<i>Desert Sky TC.....</i>	<i>13:43</i>	
83rd Ave & Osborn Rd.....	7:30	55th Ave & Encanto Blvd.....	10:49					
Desert Sky TC.....	7:43	63rd Ave & Fillmore St.....	10:58					
		75th Ave & Encanto Blvd.....	11:12					
		83rd Ave & Osborn Rd.....	11:30					
		Desert Sky TC.....	11:43					

Phoenix West

Effective: 01/22/2024

2056
Sunday

Duty Type	Block	Report Time	Start Place	Start Time	End Time	End Place	Clear Time	Paid Time	Seat Time
ST	2056	5:30	WEST	5:35	15:29	75BU			
	CAR		75BU	15:29	15:39	WEST	15:39	10h09	7h02

Sign-on	5:30	Deadhead			Deadhead				
		Buckeye Rd & 75th Av Westb		9:24	Buckeye Rd & 75th Av Westb				13:25
Block	2056	75th Ave & Buckeye Rd.....		9:28	75th Ave & Buckeye Rd.....				13:29
Pull Out		13 / East / 36 / 20165405			13 / East / 36 / 20165401				
West Transit Facility.....	5:50	75th Ave & Buckeye Rd.....		10:00	75th Ave & Buckeye Rd.....				14:00
75th Ave & Buckeye Rd.....	6:00	59th Ave & Buckeye Rd.....		10:04	59th Ave & Buckeye Rd.....				14:04
		43rd Ave & Buckeye Rd.....		10:09	43rd Ave & Buckeye Rd.....				14:09
13 / East / 36 / 20165408		19th Ave & Buckeye Rd.....		10:19	19th Ave & Buckeye Rd.....				14:19
75th Ave & Buckeye Rd.....	6:00	Central Ave & Buckeye Rd.....		10:25	Central Ave & Buckeye Rd.....				14:25
59th Ave & Buckeye Rd.....	6:04	16th St & Buckeye Rd.....		10:30	16th St & Buckeye Rd.....				14:30
43rd Ave & Buckeye Rd.....	6:09	Sky Harbor West.....		10:37	Sky Harbor West.....				14:37
19th Ave & Buckeye Rd.....	6:19								
Central Ave & Buckeye Rd.....	6:25	13 / West / 120 / 20165689			13 / West / 120 / 20165693				
16th St & Buckeye Rd.....	6:30	Sky Harbor West.....		10:45	Sky Harbor West.....				14:45
Sky Harbor West.....	6:37	16th St & Buckeye Rd.....		10:51	16th St & Buckeye Rd.....				14:52
		Central Ave & Buckeye Rd.....		10:56	Central Ave & Buckeye Rd.....				14:57
13 / West / 120 / 20165685		19th Ave & Buckeye Rd.....		11:03	19th Ave & Buckeye Rd.....				15:03
Sky Harbor West.....	6:45	43rd Ave & Buckeye Rd.....		11:13	43rd Ave & Buckeye Rd.....				15:13
16th St & Buckeye Rd.....	6:51	59th Ave & Buckeye Rd.....		11:18	59th Ave & Buckeye Rd.....				15:19
Central Ave & Buckeye Rd.....	6:56	Buckeye Rd & 75th Av Westb		11:24	Buckeye Rd & 75th Av Westb				15:25
19th Ave & Buckeye Rd.....	7:03								
43rd Ave & Buckeye Rd.....	7:13	Deadhead			Deadhead				
59th Ave & Buckeye Rd.....	7:18	Buckeye Rd & 75th Av Westb		11:24	Buckeye Rd & 75th Av Westb				15:25
Buckeye Rd & 75th Av Westb	7:24	75th Ave & Buckeye Rd.....		11:28	75th Ave & Buckeye Rd.....				15:29
Deadhead		13 / East / 36 / 20165409			Travel by				CAR
Buckeye Rd & 75th Av Westb	7:24	75th Ave & Buckeye Rd.....		12:00	Car Pull				
75th Ave & Buckeye Rd.....	7:28	59th Ave & Buckeye Rd.....		12:04	75th Ave & Buckeye Rd.....				15:29
		43rd Ave & Buckeye Rd.....		12:09	West Transit Facility.....				15:39
13 / East / 36 / 20165395		19th Ave & Buckeye Rd.....		12:19					
75th Ave & Buckeye Rd.....	8:00	Central Ave & Buckeye Rd.....		12:25	13 / East / 36 / 20165402				
59th Ave & Buckeye Rd.....	8:04	16th St & Buckeye Rd.....		12:30	75th Ave & Buckeye Rd.....				16:00
43rd Ave & Buckeye Rd.....	8:09	Sky Harbor West.....		12:37	59th Ave & Buckeye Rd.....				16:04
19th Ave & Buckeye Rd.....	8:19				43rd Ave & Buckeye Rd.....				16:09
Central Ave & Buckeye Rd.....	8:25	13 / West / 120 / 20165687			19th Ave & Buckeye Rd.....				16:19
16th St & Buckeye Rd.....	8:30	Sky Harbor West.....		12:45	Central Ave & Buckeye Rd.....				16:25
Sky Harbor West.....	8:37	16th St & Buckeye Rd.....		12:52	16th St & Buckeye Rd.....				16:30
		Central Ave & Buckeye Rd.....		12:57	Sky Harbor West.....				16:37
13 / West / 120 / 20165686		19th Ave & Buckeye Rd.....		13:03					
Sky Harbor West.....	8:45	43rd Ave & Buckeye Rd.....		13:13					
16th St & Buckeye Rd.....	8:51	59th Ave & Buckeye Rd.....		13:19					
Central Ave & Buckeye Rd.....	8:56	Buckeye Rd & 75th Av Westb		13:25					
19th Ave & Buckeye Rd.....	9:03								
43rd Ave & Buckeye Rd.....	9:13								
59th Ave & Buckeye Rd.....	9:18								
Buckeye Rd & 75th Av Westb	9:24								

Phoenix West

Effective: 01/22/2024

2057
Sunday

Duty Type	Block	Report Time	Start Place	Start Time	End Time	End Place	Clear Time	Paid Time	Seat Time
ST	2057	5:31	WEST	5:36	13:42	99MC	13:53	8h22	6h57
	CAR		99MC	13:42	13:53	WEST	13:53		

Sign-on	5:31	Deadhead	Deadhead
		99th Ave & McDowell Rd.....	99th Ave & McDowell Rd..... 13:35
Block	2057	99th Ave & McDowell Rd.....	99th Ave & McDowell Rd..... 13:42
<hr/>			
Pull Out		17 / East / 132 / 20165345	Travel by CAR
West Transit Facility.....	5:51	99th Ave & McDowell Rd.....	9:54
99th Ave & McDowell Rd.....	6:01	83rd Ave & McDowell Rd.....	10:02
		67th Ave & McDowell Rd.....	10:09
		43rd Ave & McDowell Rd.....	10:22
		19th Ave & McDowell Rd.....	10:37
		Central Ave & McDowell Rd.....	10:47
		24th St & McDowell Rd.....	10:59
		44th St & McDowell Rd.....	11:11
		52nd St & McDowell Rd.....	11:14
		Scottsdale Rd & McDowell Rd....	11:22
		Pima Rd & McDowell Rd.....	11:30
		Deadhead	
		Pima Rd & McDowell Rd.....	11:30
		Pima Rd & McDowell Rd.....	11:37
		17 / East / 132 / 20165350	
		99th Ave & McDowell Rd.....	13:54
		83rd Ave & McDowell Rd.....	14:02
		67th Ave & McDowell Rd.....	14:09
		43rd Ave & McDowell Rd.....	14:22
		19th Ave & McDowell Rd.....	14:37
		Central Ave & McDowell Rd....	14:47
		24th St & McDowell Rd.....	14:59
		44th St & McDowell Rd.....	15:11
		52nd St & McDowell Rd.....	15:14
		Scottsdale Rd & McDowell Rd	15:22
		Pima Rd & McDowell Rd.....	15:30
<hr/>			
Deadhead		17 / West / 253 / 20165357	
Pima Rd & McDowell Rd.....	7:27	Pima Rd & McDowell Rd.....	12:02
Pima Rd & McDowell Rd.....	7:34	Scottsdale Rd & McDowell Rd....	12:09
		52nd St & McDowell Rd.....	12:16
		44th St & McDowell Rd.....	12:19
		24th St & McDowell Rd.....	12:31
		Central Ave & McDowell Rd.....	12:43
		19th Ave & McDowell Rd.....	12:51
		43rd Ave & McDowell Rd.....	13:06
		67th Ave & McDowell Rd.....	13:20
		83rd Ave & McDowell Rd.....	13:27
		99th Ave & McDowell Rd.....	13:35
		17 / West / 253 / 20165356	
Pima Rd & McDowell Rd.....	8:02	24th St & McDowell Rd.....	12:31
Scottsdale Rd & McDowell Rd....	8:09	Central Ave & McDowell Rd.....	12:43
52nd St & McDowell Rd.....	8:16	19th Ave & McDowell Rd.....	12:51
44th St & McDowell Rd.....	8:19	43rd Ave & McDowell Rd.....	13:06
24th St & McDowell Rd.....	8:31	67th Ave & McDowell Rd.....	13:20
Central Ave & McDowell Rd.....	8:43	83rd Ave & McDowell Rd.....	13:27
19th Ave & McDowell Rd.....	8:51	99th Ave & McDowell Rd.....	13:35
43rd Ave & McDowell Rd.....	9:06		
67th Ave & McDowell Rd.....	9:20		
83rd Ave & McDowell Rd.....	9:27		
99th Ave & McDowell Rd.....	9:35		

Phoenix West

Effective: 01/22/2024

2058
Sunday

Duty Type	Block	Report Time	Start Place	Start Time	End Time	End Place	Clear Time	Paid Time	Seat Time
ST	2058 CAR	5:52	WEST 59IN	5:57 13:36	13:36 13:57	59IN WEST	13:57	8h05	6h36

Sign-on	5:52	Deadhead				Travel by		CAR	
		Granite Reef Rd & Indian Sch		10:27					
Block	2058	Pima Rd & Chaparral Rd.....		10:31		Car Pull			
						59th Ave & Indian School Rd...		13:36	
						West Transit Facility.....		13:57	
Pull Out		Deadhead							
West Transit Facility.....	6:12	Pima Rd & Chaparral Rd.....		10:52					
Granite Reef Rd & Indian Sch	7:02	Granite Reef Rd & Indian Sch		10:56		<i>43rd Ave & Indian School Rd..</i>		<i>13:45</i>	
						<i>19th Ave & Indian School Rd...</i>		<i>14:01</i>	
						<i>Central Ave & Indian School R</i>		<i>14:10</i>	
						<i>Central Ave & Indian School R</i>		<i>14:14</i>	
						<i>24th St & Indian School Rd....</i>		<i>14:28</i>	
						<i>32nd St & Indian School Rd....</i>		<i>14:32</i>	
						<i>44th St & Indian School Rd....</i>		<i>14:39</i>	
						<i>56th St & Indian School Rd....</i>		<i>14:42</i>	
						<i>Scottsdale Rd & Indian Schoo</i>		<i>14:49</i>	
						<i>Granite Reef Rd & Indian Sch</i>		<i>14:57</i>	
41 / West / 724 / 20165567		41 / West / 724 / 20165576							
Granite Reef Rd & Indian Sch	7:02	Granite Reef Rd & Indian Sch		10:56		41 / West / 724 / 20165586			
Scottsdale Rd & Indian School	7:07	Scottsdale Rd & Indian School		11:01		<i>Granite Reef Rd & Indian Sch</i>		<i>15:26</i>	
56th St & Indian School Rd.....	7:14	56th St & Indian School Rd.....		11:08		<i>Scottsdale Rd & Indian Schoo</i>		<i>15:31</i>	
44th St & Indian School Rd.....	7:17	44th St & Indian School Rd.....		11:12		<i>56th St & Indian School Rd....</i>		<i>15:38</i>	
32nd St & Indian School Rd.....	7:21	32nd St & Indian School Rd.....		11:18		<i>44th St & Indian School Rd....</i>		<i>15:42</i>	
24th St & Indian School Rd.....	7:25	24th St & Indian School Rd.....		11:23		<i>32nd St & Indian School Rd....</i>		<i>15:48</i>	
Central Ave & Indian School Rd.	7:35	Central Ave & Indian School Rd.		11:35		<i>24th St & Indian School Rd....</i>		<i>15:53</i>	
Central Ave & Indian School Rd.	7:39	Central Ave & Indian School Rd.		11:39		<i>Central Ave & Indian School R</i>		<i>16:05</i>	
19th Ave & Indian School Rd.....	7:45	19th Ave & Indian School Rd.....		11:47		<i>Central Ave & Indian School R</i>		<i>16:09</i>	
43rd Ave & Indian School Rd.....	7:58	43rd Ave & Indian School Rd.....		12:03		<i>19th Ave & Indian School Rd...</i>		<i>16:17</i>	
59th Ave & Indian School Rd.....	8:06	59th Ave & Indian School Rd.....		12:12		<i>43rd Ave & Indian School Rd..</i>		<i>16:33</i>	
83rd Ave & Indian School Rd.....	8:18	83rd Ave & Indian School Rd.....		12:24		<i>59th Ave & Indian School Rd...</i>		<i>16:42</i>	
107th Ave & Indian School Rd.	8:30	107th Ave & Indian School Rd.		12:36		<i>83rd Ave & Indian School Rd..</i>		<i>16:54</i>	
						<i>107th Ave & Indian School Rd.</i>		<i>17:06</i>	
Deadhead		Deadhead							
107th Ave & Indian School Rd.	8:30	107th Ave & Indian School Rd.		12:36					
107th Ave & Indian School Rd.	8:36	107th Ave & Indian School Rd.		12:42					
41 / East / 172 / 20165539		41 / East / 172 / 20165559							
107th Ave & Indian School Rd.	8:49	107th Ave & Indian School Rd.		13:17					
83rd Ave & Indian School Rd.....	8:57	83rd Ave & Indian School Rd.....		13:25					
59th Ave & Indian School Rd.....	9:08	59th Ave & Indian School Rd...		13:36					
43rd Ave & Indian School Rd.....	9:17								
19th Ave & Indian School Rd.....	9:31								
Central Ave & Indian School Rd.	9:40								
Central Ave & Indian School Rd.	9:44								
24th St & Indian School Rd.....	9:58								
32nd St & Indian School Rd.....	10:02								
44th St & Indian School Rd.....	10:09								
56th St & Indian School Rd.....	10:12								
Scottsdale Rd & Indian School	10:19								
Granite Reef Rd & Indian Sch	10:27								

Phoenix West

Effective: 01/22/2024

2059
Sunday

Duty Type	Block	Report Time	Start Place	Start Time	End Time	End Place	Clear Time	Paid Time	Seat Time
ST	2060	5:54	WEST	5:59	13:55	75LB			
	CAR		75LB	13:55	14:05	WEST	14:05	8h11	5h59

Sign-on	5:54	75 / North / 147 / 20165432				83 / South / 155 / 20165881			
		75th Ave & Lower Buckeye Rd	9:25			Arrowhead Mall North			11:58
Block	2060	75th Ave & Van Buren St	9:30			83rd Ave & Thunderbird Rd			12:09
		Desert Sky TC	9:40			83rd Ave & Peoria Ave			12:15
Pull Out		75th Ave & Camelback Rd	9:49			83rd Ave & Glendale Ave			12:27
West Transit Facility	6:14					83rd Ave & Camelback Rd			12:32
67th Ave & Union Hills Dr	6:42	Deadhead				Desert Sky TC			12:41
		75th Ave & Camelback Rd	9:49			83rd Ave & Van Buren St			12:51
		83rd Ave & Camelback Rd	9:52						
67 / South / 254 / 20165219		Deadhead							
67th Ave & Union Hills Dr	6:42					83rd Ave & Van Buren St			12:51
67th Ave & Thunderbird Rd	6:52	83 / South / 155 / 20165450				83rd Ave & Van Buren St			12:55
67th Ave & Olive Ave	7:00	83rd Ave & Camelback Rd	10:05						
67th Ave & Glendale Ave	7:07	Desert Sky TC	10:11						
67th Ave & Camelback Rd	7:15	83rd Ave & Van Buren St	10:20						
67th Ave & Thomas Rd	7:22					83 / North / 153 / 20165468			
67th Ave & Van Buren St	7:30	Deadhead				83rd Ave & Van Buren St			13:03
Sierra Linda HS-South	7:38	83rd Ave & Van Buren St	10:20			Desert Sky TC			13:12
		83rd Ave & Van Buren St	10:24			83rd Ave & Camelback Rd			13:22
Deadhead									
Sierra Linda HS-South	7:38	83 / North / 183 / 20165858				Deadhead			
75th Ave & Lower Buckeye Rd	7:43	83rd Ave & Van Buren St	10:33			83rd Ave & Camelback Rd			13:22
		Desert Sky TC	10:42			75th Ave & Camelback Rd			13:25
75 / North / 147 / 20165914		83rd Ave & Camelback Rd	10:52						
75th Ave & Lower Buckeye Rd	7:55	83rd Ave & Glendale Ave	10:57			75 / South / 149 / 20165421			
75th Ave & Van Buren St	8:00	83rd Ave & Peoria Ave	11:08			75th Ave & Camelback Rd			13:30
Desert Sky TC	8:10	83rd Ave & Thunderbird Rd	11:14			Desert Sky TC			13:39
75th Ave & Camelback Rd	8:19	Arrowhead Mall North	11:24			75th Ave & Van Buren St			13:51
						75th Ave & Lower Buckeye Rd			13:55
Deadhead		Deadhead							
75th Ave & Camelback Rd	8:19	Arrowhead Mall North	11:24			Travel by			CAR
67th Ave & Camelback Rd	8:22	Arrowhead Mall Layover	11:26			Car Pull			
						75th Ave & Lower Buckeye Rd			13:55
67 / South / 254 / 20165893		Deadhead				West Transit Facility			14:05
67th Ave & Camelback Rd	8:45	Arrowhead Mall Layover	11:56						
67th Ave & Thomas Rd	8:52	Arrowhead Mall North	11:58			67 / North / 108 / 20165210			
67th Ave & Van Buren St	9:00					Sierra Linda HS-North			14:15
Sierra Linda HS-South	9:08					67th Ave & Van Buren St			14:24
						67th Ave & Thomas Rd			14:33
Deadhead						67th Ave & Camelback Rd			14:40
Sierra Linda HS-South	9:08					67th Ave & Glendale Ave			14:50
75th Ave & Lower Buckeye Rd	9:13					67th Ave & Olive Ave			14:56
						67th Ave & Thunderbird Rd			15:06
						67th Ave & Union Hills Dr			15:16

Phoenix West

Effective: 01/22/2024

2060
Sunday

Duty Type	Block	Report Time	Start Place	Start Time	End Time	End Place	Clear Time	Paid Time	Seat Time
ST	2059	5:54	WEST	5:59	15:19	44MC	15:49	9h55	8h21
	CAR		44MC	15:19	15:49	WEST	15:49		

Sign-on	5:54	Deadhead				Deadhead			
		Pima Rd & McDowell Rd.....		10:30		Pima Rd & McDowell Rd.....		14:30	
Block	2059	Pima Rd & McDowell Rd.....		10:37		Pima Rd & McDowell Rd.....		14:37	
Pull Out		17 / West / 253 / 20165360				17 / West / 253 / 20165363			
West Transit Facility.....	6:14	Pima Rd & McDowell Rd.....		11:02		Pima Rd & McDowell Rd.....		15:02	
Pima Rd & McDowell Rd.....	7:02	Scottsdale Rd & McDowell Rd....		11:09		Scottsdale Rd & McDowell Rd....		15:09	
		52nd St & McDowell Rd.....		11:16		52nd St & McDowell Rd.....		15:16	
		44th St & McDowell Rd.....		11:19		44th St & McDowell Rd.....		15:19	
17 / West / 253 / 20165355		24th St & McDowell Rd.....		11:31					
Pima Rd & McDowell Rd.....	7:02	Central Ave & McDowell Rd.....		11:43		Travel by		CAR	
Scottsdale Rd & McDowell Rd....	7:09	19th Ave & McDowell Rd.....		11:51					
52nd St & McDowell Rd.....	7:16	43rd Ave & McDowell Rd.....		12:06		Car Pull			
44th St & McDowell Rd.....	7:19	67th Ave & McDowell Rd.....		12:20		44th St & McDowell Rd.....		15:19	
24th St & McDowell Rd.....	7:31	83rd Ave & McDowell Rd.....		12:27		West Transit Facility.....		15:49	
Central Ave & McDowell Rd.....	7:43	99th Ave & McDowell Rd.....		12:35					
19th Ave & McDowell Rd.....	7:51					24th St & McDowell Rd.....		15:31	
43rd Ave & McDowell Rd.....	8:06	Deadhead				Central Ave & McDowell Rd....		15:43	
67th Ave & McDowell Rd.....	8:20	99th Ave & McDowell Rd.....		12:35		19th Ave & McDowell Rd.....		15:51	
83rd Ave & McDowell Rd.....	8:27	99th Ave & McDowell Rd.....		12:42		43rd Ave & McDowell Rd.....		16:06	
99th Ave & McDowell Rd.....	8:35					67th Ave & McDowell Rd.....		16:20	
		17 / East / 132 / 20165348				83rd Ave & McDowell Rd.....		16:27	
Deadhead		99th Ave & McDowell Rd.....		12:54		99th Ave & McDowell Rd.....		16:35	
99th Ave & McDowell Rd.....	8:35	83rd Ave & McDowell Rd.....		13:02					
		67th Ave & McDowell Rd.....		13:09		17 / East / 132 / 20165349			
		43rd Ave & McDowell Rd.....		13:22		99th Ave & McDowell Rd.....		16:54	
17 / East / 132 / 20165344		19th Ave & McDowell Rd.....		13:37		83rd Ave & McDowell Rd.....		17:02	
99th Ave & McDowell Rd.....	8:54	Central Ave & McDowell Rd.....		13:47		67th Ave & McDowell Rd.....		17:09	
83rd Ave & McDowell Rd.....	9:02	24th St & McDowell Rd.....		13:59		43rd Ave & McDowell Rd.....		17:22	
67th Ave & McDowell Rd.....	9:09	44th St & McDowell Rd.....		14:11		19th Ave & McDowell Rd.....		17:37	
43rd Ave & McDowell Rd.....	9:22	52nd St & McDowell Rd.....		14:14		Central Ave & McDowell Rd....		17:47	
19th Ave & McDowell Rd.....	9:37	Scottsdale Rd & McDowell Rd....		14:22		24th St & McDowell Rd.....		17:59	
Central Ave & McDowell Rd.....	9:47	Pima Rd & McDowell Rd.....		14:30		44th St & McDowell Rd.....		18:11	
24th St & McDowell Rd.....	9:59					52nd St & McDowell Rd.....		18:14	
44th St & McDowell Rd.....	10:11					Scottsdale Rd & McDowell Rd		18:22	
52nd St & McDowell Rd.....	10:14					Pima Rd & McDowell Rd.....		18:30	
Scottsdale Rd & McDowell Rd....	10:22								
Pima Rd & McDowell Rd.....	10:30								

Phoenix West

Effective: 01/22/2024

2061
Sunday

Duty Type	Block	Report Time	Start Place	Start Time	End Time	End Place	Clear Time	Paid Time	Seat Time
ST	2061	5:56	WEST	6:01	12:14	DSTC			
	CAR		DSTC	12:14	12:28	WEST	12:28	6h32	5h40

Sign-on	5:56	MARY / CCIkWs / 787 / 20166042	Travel by	CAR
Desert Sky TC..... 8:30				
Block	2061	83rd Ave & Osborn Rd.....	Car Pull	
		75th Ave & Encanto Blvd.....	Desert Sky TC..... 12:14	
Pull Out		63rd Ave & Fillmore St.....	West Transit Facility..... 12:28	
West Transit Facility..... 6:16		55th Ave & Encanto Blvd.....		
Desert Sky TC..... 6:30		51st Ave & Indian School Rd.....		
-----		67th Ave & Campbell Ave.....		
MARY / CCIkWs / 787 / 20166040		59th Ave & Thomas Rd.....	MARY / CCIkWs / 787 / 20166046	
Desert Sky TC..... 6:30		Desert Sky TC..... 10:14	<i>Desert Sky TC..... 12:30</i>	
83rd Ave & Osborn Rd.....	6:46	-----	<i>83rd Ave & Osborn Rd..... 12:46</i>	
75th Ave & Encanto Blvd.....	7:04	MARY / CCIkWs / 787 / 20166044	<i>75th Ave & Encanto Blvd..... 13:04</i>	
63rd Ave & Fillmore St.....	7:18	Desert Sky TC..... 10:30	<i>63rd Ave & Fillmore St..... 13:18</i>	
55th Ave & Encanto Blvd.....	7:27	83rd Ave & Osborn Rd.....	<i>55th Ave & Encanto Blvd..... 13:27</i>	
51st Ave & Indian School Rd.....	7:40	75th Ave & Encanto Blvd.....	<i>51st Ave & Indian School Rd... 13:40</i>	
67th Ave & Campbell Ave.....	7:51	63rd Ave & Fillmore St.....	<i>67th Ave & Campbell Ave..... 13:51</i>	
59th Ave & Thomas Rd.....	8:02	55th Ave & Encanto Blvd.....	<i>59th Ave & Thomas Rd..... 14:02</i>	
Desert Sky TC..... 8:14		51st Ave & Indian School Rd.....	<i>Desert Sky TC..... 14:14</i>	
-----		67th Ave & Campbell Ave.....		
		59th Ave & Thomas Rd.....		
		Desert Sky TC..... 12:14		

Phoenix West

Effective: 01/22/2024

2062
Sunday

Duty Type	Block	Report Time	Start Place	Start Time	End Time	End Place	Clear Time	Paid Time	Seat Time
ST	2062	6:26	WEST	6:31	12:43	DSTC			
	CAR		DSTC	12:43	12:57	WEST	12:57	6h31	5h37

Sign-on	6:26	MARY / ClkWs / 786 / 20166032				Travel by			CAR
		Desert Sky TC		9:00					
Block	2062	59th Ave & Thomas Rd.....		9:13		Car Pull			
		67th Ave & Campbell Ave.....		9:24		Desert Sky TC		12:43	
Pull Out		51st Ave & Indian School Rd.....		9:35		West Transit Facility		12:57	
West Transit Facility	6:46	55th Ave & Encanto Blvd.....		9:49					
Desert Sky TC	7:00	63rd Ave & Fillmore St.....		9:58		MARY / ClkWs / 786 / 20166036			
		75th Ave & Encanto Blvd.....		10:12		<i>Desert Sky TC</i>			13:00
MARY / ClkWs / 786 / 20166029		83rd Ave & Osborn Rd.....		10:30		59th Ave & Thomas Rd.....			13:13
Desert Sky TC	7:00	Desert Sky TC		10:43		67th Ave & Campbell Ave.....			13:24
59th Ave & Thomas Rd.....	7:13					51st Ave & Indian School Rd...			13:35
67th Ave & Campbell Ave.....	7:24	MARY / ClkWs / 786 / 20166034				55th Ave & Encanto Blvd.....			13:49
51st Ave & Indian School Rd.....	7:35	Desert Sky TC		11:00		63rd Ave & Fillmore St.....			13:58
55th Ave & Encanto Blvd.....	7:49	59th Ave & Thomas Rd.....		11:13		75th Ave & Encanto Blvd.....			14:12
63rd Ave & Fillmore St.....	7:58	67th Ave & Campbell Ave.....		11:24		83rd Ave & Osborn Rd.....			14:30
75th Ave & Encanto Blvd.....	8:12	51st Ave & Indian School Rd.....		11:35		<i>Desert Sky TC</i>			14:43
83rd Ave & Osborn Rd.....	8:30	55th Ave & Encanto Blvd.....		11:49					
Desert Sky TC	8:43	63rd Ave & Fillmore St.....		11:58					
		75th Ave & Encanto Blvd.....		12:12					
		83rd Ave & Osborn Rd.....		12:30					
		Desert Sky TC		12:43					

Phoenix West

Effective: 01/22/2024

2063
Sunday

Duty Type	Block	Report Time	Start Place	Start Time	End Time	End Place	Clear Time	Paid Time	Seat Time
ST	2063	6:56	WEST	7:01	17:28	WEST	17:28	10h32	9h08

Sign-on	6:56	MARY / CCIkWs / 787 / 20166045	MARY / CCIkWs / 787 / 20166050
<hr/>		Desert Sky TC.....	Desert Sky TC.....
Block	2063	83rd Ave & Osborn Rd.....	83rd Ave & Osborn Rd.....
<hr/>		75th Ave & Encanto Blvd.....	75th Ave & Encanto Blvd.....
Pull Out		63rd Ave & Fillmore St.....	63rd Ave & Fillmore St.....
West Transit Facility.....	7:16	55th Ave & Encanto Blvd.....	55th Ave & Encanto Blvd.....
Desert Sky TC.....	7:30	51st Ave & Indian School Rd.....	51st Ave & Indian School Rd.....
<hr/>		67th Ave & Campbell Ave.....	67th Ave & Campbell Ave.....
MARY / CCIkWs / 787 / 20166041		59th Ave & Thomas Rd.....	59th Ave & Thomas Rd.....
Desert Sky TC.....	7:30	Desert Sky TC.....	Desert Sky TC.....
83rd Ave & Osborn Rd.....	7:46	<hr/>	
75th Ave & Encanto Blvd.....	8:04	MARY / CCIkWs / 787 / 20166048	Pull In
63rd Ave & Fillmore St.....	8:18	Desert Sky TC.....	Desert Sky TC.....
55th Ave & Encanto Blvd.....	8:27	83rd Ave & Osborn Rd.....	West Transit Facility.....
51st Ave & Indian School Rd.....	8:40	75th Ave & Encanto Blvd.....	17:14
67th Ave & Campbell Ave.....	8:51	63rd Ave & Fillmore St.....	17:28
59th Ave & Thomas Rd.....	9:02	55th Ave & Encanto Blvd.....	
Desert Sky TC.....	9:14	51st Ave & Indian School Rd.....	
<hr/>		67th Ave & Campbell Ave.....	
MARY / CCIkWs / 787 / 20166043		59th Ave & Thomas Rd.....	
Desert Sky TC.....	9:30	Desert Sky TC.....	15:14
83rd Ave & Osborn Rd.....	9:46	<hr/>	
75th Ave & Encanto Blvd.....	10:04		
63rd Ave & Fillmore St.....	10:18		
55th Ave & Encanto Blvd.....	10:27		
51st Ave & Indian School Rd.....	10:40		
67th Ave & Campbell Ave.....	10:51		
59th Ave & Thomas Rd.....	11:02		
Desert Sky TC.....	11:14		
<hr/>			

Phoenix West

Effective: 01/22/2024

2064
Sunday

Duty Type	Block	Report Time	Start Place	Start Time	End Time	End Place	Clear Time	Paid Time	Seat Time
ST	2064 CAR	8:44	WEST 107I-E	8:49 17:42	17:42 17:59	107I-E WEST	17:59	9h15	7h38

Sign-on	8:44	Deadhead	41 / West / 724 / 20165587
		107th Ave & Indian School Rd.	13:06 Granite Reef Rd & Indian Sch
Block	2064	107th Ave & Indian School Rd.	13:12
Pull Out		41 / East / 172 / 20165543	41 / West / 724 / 20165587
West Transit Facility.....	9:04	107th Ave & Indian School Rd.	13:47
107th Ave & Indian School Rd.	9:19	83rd Ave & Indian School Rd.....	13:55
41 / East / 172 / 20165555		59th Ave & Indian School Rd.....	14:06
107th Ave & Indian School Rd.	9:19	43rd Ave & Indian School Rd.....	14:15
83rd Ave & Indian School Rd.....	9:27	19th Ave & Indian School Rd.....	14:31
59th Ave & Indian School Rd.....	9:38	Central Ave & Indian School Rd.	14:40
43rd Ave & Indian School Rd.....	9:47	Central Ave & Indian School Rd.	14:44
19th Ave & Indian School Rd.....	10:01	24th St & Indian School Rd.....	14:58
Central Ave & Indian School Rd.	10:10	32nd St & Indian School Rd.....	15:02
Central Ave & Indian School Rd.	10:14	44th St & Indian School Rd.....	15:09
24th St & Indian School Rd.....	10:28	56th St & Indian School Rd.....	15:12
32nd St & Indian School Rd.....	10:32	Scottsdale Rd & Indian School	15:19
44th St & Indian School Rd.....	10:39	Granite Reef Rd & Indian Sch	15:27
56th St & Indian School Rd.....	10:42		
Scottsdale Rd & Indian School	10:49	Deadhead	Travel by
Granite Reef Rd & Indian Sch	10:57	Granite Reef Rd & Indian Sch	15:27
Deadhead		Pima Rd & Chaparral Rd.....	15:31
Granite Reef Rd & Indian Sch	10:57	Deadhead	Car Pull
Pima Rd & Chaparral Rd.....	11:01	Pima Rd & Chaparral Rd.....	17:42
Deadhead		Granite Reef Rd & Indian Sch	15:56
Pima Rd & Chaparral Rd.....	11:22		
Granite Reef Rd & Indian Sch	11:26		
41 / West / 724 / 20165577		41 / East / 172 / 20165563	
Granite Reef Rd & Indian Sch	11:26	<i>107th Ave & Indian School Rd.</i>	<i>18:18</i>
Scottsdale Rd & Indian School	11:31	<i>83rd Ave & Indian School Rd..</i>	<i>18:27</i>
56th St & Indian School Rd.....	11:38	<i>59th Ave & Indian School Rd...</i>	<i>18:38</i>
44th St & Indian School Rd.....	11:42	<i>43rd Ave & Indian School Rd..</i>	<i>18:47</i>
32nd St & Indian School Rd.....	11:48	<i>19th Ave & Indian School Rd...</i>	<i>19:01</i>
24th St & Indian School Rd.....	11:53	<i>Central Ave & Indian School R</i>	<i>19:10</i>
Central Ave & Indian School Rd.	12:05	<i>Central Ave & Indian School R</i>	<i>19:14</i>
Central Ave & Indian School Rd.	12:09	<i>24th St & Indian School Rd.....</i>	<i>19:28</i>
19th Ave & Indian School Rd.....	12:17	<i>32nd St & Indian School Rd....</i>	<i>19:31</i>
43rd Ave & Indian School Rd.....	12:33	<i>44th St & Indian School Rd.....</i>	<i>19:38</i>
59th Ave & Indian School Rd.....	12:42	<i>56th St & Indian School Rd.....</i>	<i>19:41</i>
83rd Ave & Indian School Rd.....	12:54	<i>Scottsdale Rd & Indian Schoo</i>	<i>19:48</i>
107th Ave & Indian School Rd.	13:06	<i>Granite Reef Rd & Indian Sch</i>	<i>19:56</i>

Phoenix West

Effective: 01/22/2024

2065
Sunday

Duty Type	Block	Report Time	Start Place	Start Time	End Time	End Place	Clear Time	Paid Time	Seat Time
ST	CAR 2001	9:09	WEST 107I-E	9:14 9:32	9:32 18:21	107I-E WEST	18:21	9h12	7h33

Sign-on	9:09	41 / West / 724 / 20165574			Deadhead
		Granite Reef Rd & Indian Sch	11:56	Granite Reef Rd & Indian Sch	15:57
Travel by	CAR	Scottsdale Rd & Indian School	12:01	Pima Rd & Chaparral Rd.....	16:01
		56th St & Indian School Rd.....	12:08	-----	
Car Pull		44th St & Indian School Rd.....	12:12	Deadhead	
West Transit Facility.....	9:14	32nd St & Indian School Rd.....	12:18	Pima Rd & Chaparral Rd.....	16:22
107th Ave & Indian School Rd.	9:32	24th St & Indian School Rd.....	12:23	Granite Reef Rd & Indian Sch	16:26
		Central Ave & Indian School Rd.	12:35	-----	
Block	2001	Central Ave & Indian School Rd.	12:39	41 / West / 724 / 20165584	
		19th Ave & Indian School Rd.....	12:47	Granite Reef Rd & Indian Sch	16:26
41 / East / 172 / 20165540		43rd Ave & Indian School Rd.....	13:03	Scottsdale Rd & Indian School	16:31
107th Ave & Indian School Rd.	9:49	59th Ave & Indian School Rd.....	13:12	56th St & Indian School Rd.....	16:38
83rd Ave & Indian School Rd.....	9:57	83rd Ave & Indian School Rd.....	13:24	44th St & Indian School Rd.....	16:42
59th Ave & Indian School Rd.....	10:08	107th Ave & Indian School Rd.	13:36	32nd St & Indian School Rd.....	16:48
43rd Ave & Indian School Rd.....	10:17	-----			
19th Ave & Indian School Rd.....	10:31	Deadhead		24th St & Indian School Rd.....	16:53
Central Ave & Indian School Rd.	10:40	107th Ave & Indian School Rd.	13:36	Central Ave & Indian School Rd.	17:05
Central Ave & Indian School Rd.	10:44	107th Ave & Indian School Rd.	13:42	Central Ave & Indian School Rd.	17:09
24th St & Indian School Rd.....	10:58	-----			
32nd St & Indian School Rd.....	11:02	41 / East / 172 / 20165556		19th Ave & Indian School Rd.....	17:17
44th St & Indian School Rd.....	11:09	107th Ave & Indian School Rd.	14:17	43rd Ave & Indian School Rd.....	17:33
56th St & Indian School Rd.....	11:12	83rd Ave & Indian School Rd.....	14:25	59th Ave & Indian School Rd.....	17:42
Scottsdale Rd & Indian School	11:19	59th Ave & Indian School Rd.....	14:36	83rd Ave & Indian School Rd.....	17:54
Granite Reef Rd & Indian Sch	11:27	43rd Ave & Indian School Rd.....	14:45	107th Ave & Indian School Rd.	18:06
-----		19th Ave & Indian School Rd.....	15:01	-----	
Deadhead		Central Ave & Indian School Rd.	15:10	Pull In	
Granite Reef Rd & Indian Sch	11:27	Central Ave & Indian School Rd.	15:14	107th Ave & Indian School Rd.	18:06
Pima Rd & Chaparral Rd.....	11:31	24th St & Indian School Rd.....	15:28	West Transit Facility.....	18:21
-----		32nd St & Indian School Rd.....	15:32	-----	
Deadhead		44th St & Indian School Rd.....	15:39		
Pima Rd & Chaparral Rd.....	11:52	56th St & Indian School Rd.....	15:42		
Granite Reef Rd & Indian Sch	11:56	Scottsdale Rd & Indian School	15:49		
-----		Granite Reef Rd & Indian Sch	15:57	-----	

Phoenix West

Effective: 01/22/2024

2067
Sunday

Duty Type	Block	Report Time	Start Place	Start Time	End Time	End Place	Clear Time	Paid Time	Seat Time
ST	CAR	9:39	WEST	9:44	10:04	43LB			
	2038		43LB	10:04	17:36	43LB			
	CAR		43LB	17:36	17:57	WEST	17:57	8h18	6h58

Sign-on	9:39	43 / North / 182 / 20165240	Deadhead
Travel by	CAR	43rd Ave & Lower Buckeye Rd 12:46	43rd Ave & Union Hills Dr..... 16:10
Car Pull		43rd Ave & Van Buren St..... 12:52	43rd Ave & Union Hills Dr..... 16:17
West Transit Facility.....	9:44	43rd Ave & Thomas Rd..... 13:02	-----
43rd Ave & Lower Buckeye Rd	10:04	43rd Ave & Camelback Rd..... 13:10	43 / South / 207 / 20165749
Block	2038	43rd Ave & Glendale Ave..... 13:17	43rd Ave & Union Hills Dr..... 16:31
		43rd Ave & Dunlap Ave..... 13:24	43rd Ave & Thunderbird Rd..... 16:39
		43rd Ave & Thunderbird Rd..... 13:31	43rd Ave & Dunlap Ave..... 16:49
		43rd Ave & Union Hills Dr..... 13:40	43rd Ave & Glendale Ave..... 16:56
		-----	43rd Ave & Camelback Rd..... 17:04
43 / North / 182 / 20165743		Deadhead	43rd Ave & Thomas Rd..... 17:12
43rd Ave & Lower Buckeye Rd	10:16	43rd Ave & Union Hills Dr..... 13:40	43rd Ave & Van Buren St..... 17:22
43rd Ave & Van Buren St.....	10:22	43rd Ave & Union Hills Dr..... 13:47	43rd Ave & Lower Buckeye Rd 17:30
43rd Ave & Thomas Rd.....	10:32	-----	-----
43rd Ave & Camelback Rd.....	10:40	43 / South / 207 / 20165257	Deadhead
43rd Ave & Glendale Ave.....	10:47	43rd Ave & Union Hills Dr..... 14:02	43rd Ave & Lower Buckeye Rd 17:30
43rd Ave & Dunlap Ave.....	10:54	43rd Ave & Thunderbird Rd..... 14:09	43rd Ave & Lower Buckeye Rd 17:36
43rd Ave & Thunderbird Rd.....	11:01	43rd Ave & Dunlap Ave..... 14:19	-----
43rd Ave & Union Hills Dr.....	11:10	43rd Ave & Glendale Ave..... 14:26	Travel by
-----		43rd Ave & Camelback Rd..... 14:34	CAR
Deadhead		43rd Ave & Thomas Rd..... 14:43	-----
43rd Ave & Union Hills Dr.....	11:10	43rd Ave & Van Buren St..... 14:53	Car Pull
43rd Ave & Union Hills Dr.....	11:17	43rd Ave & Lower Buckeye Rd 15:01	43rd Ave & Lower Buckeye Rd 17:36
-----		-----	West Transit Facility..... 17:57
43 / South / 207 / 20165721		Deadhead	-----
43rd Ave & Union Hills Dr.....	11:33	43rd Ave & Lower Buckeye Rd 15:01	43 / North / 182 / 20165246
43rd Ave & Thunderbird Rd.....	11:40	43rd Ave & Lower Buckeye Rd 15:07	43rd Ave & Lower Buckeye Rd 17:46
43rd Ave & Dunlap Ave.....	11:50	-----	43rd Ave & Van Buren St..... 17:52
43rd Ave & Glendale Ave.....	11:56	43 / North / 182 / 20165734	43rd Ave & Thomas Rd..... 18:02
43rd Ave & Camelback Rd.....	12:04	43rd Ave & Lower Buckeye Rd 15:16	43rd Ave & Camelback Rd..... 18:10
43rd Ave & Thomas Rd.....	12:13	43rd Ave & Van Buren St..... 15:22	43rd Ave & Glendale Ave..... 18:17
43rd Ave & Van Buren St.....	12:23	43rd Ave & Thomas Rd..... 15:32	43rd Ave & Dunlap Ave..... 18:24
43rd Ave & Lower Buckeye Rd	12:31	43rd Ave & Camelback Rd..... 15:40	43rd Ave & Thunderbird Rd..... 18:31
-----		43rd Ave & Glendale Ave..... 15:47	43rd Ave & Union Hills Dr..... 18:40
Deadhead		43rd Ave & Dunlap Ave..... 15:54	-----
43rd Ave & Lower Buckeye Rd	12:31	43rd Ave & Thunderbird Rd..... 16:01	
43rd Ave & Lower Buckeye Rd	12:37	43rd Ave & Union Hills Dr..... 16:10	

Phoenix West

Effective: 01/22/2024

2068
Sunday

Duty Type	Block	Report Time	Start Place	Start Time	End Time	End Place	Clear Time	Paid Time	Seat Time
ST	CAR	9:44	WEST	9:49	10:19	44MC			
	2013		44MC	10:19	15:42	99MC			
	CAR		99MC	15:42	15:53	WEST	15:53	6h09	5h27

Sign-on	9:44	17 / East / 132 / 20165343	Deadhead
		99th Ave & McDowell Rd.....	11:54
Travel by	CAR	83rd Ave & McDowell Rd.....	15:35
		67th Ave & McDowell Rd.....	15:42
Car Pull		43rd Ave & McDowell Rd.....	
West Transit Facility.....	9:49	19th Ave & McDowell Rd.....	Travel by
44th St & McDowell Rd.....	10:19	Central Ave & McDowell Rd.....	CAR
		24th St & McDowell Rd.....	
Block	2013	44th St & McDowell Rd.....	Car Pull
		52nd St & McDowell Rd.....	99th Ave & McDowell Rd.....
		Scottsdale Rd & McDowell Rd....	15:42
		Pima Rd & McDowell Rd.....	15:53

17 / West / 253 / 20165359		17 / East / 132 / 20165351	
44th St & McDowell Rd.....	10:19	99th Ave & McDowell Rd.....	15:54
24th St & McDowell Rd.....	10:31	83rd Ave & McDowell Rd.....	16:02
Central Ave & McDowell Rd.....	10:43	67th Ave & McDowell Rd.....	16:09
19th Ave & McDowell Rd.....	10:51	43rd Ave & McDowell Rd.....	16:22
43rd Ave & McDowell Rd.....	11:06	19th Ave & McDowell Rd.....	16:37
67th Ave & McDowell Rd.....	11:20	Central Ave & McDowell Rd....	16:47
83rd Ave & McDowell Rd.....	11:27	24th St & McDowell Rd.....	16:59
99th Ave & McDowell Rd.....	11:35	44th St & McDowell Rd.....	17:11
-----		52nd St & McDowell Rd.....	17:14
Deadhead		Scottsdale Rd & McDowell Rd	17:22
99th Ave & McDowell Rd.....	11:35	Pima Rd & McDowell Rd.....	17:30
99th Ave & McDowell Rd.....	11:42	-----	
-----		17 / West / 253 / 20165362	
		Pima Rd & McDowell Rd.....	14:02
		Scottsdale Rd & McDowell Rd....	14:09
		52nd St & McDowell Rd.....	14:16
		44th St & McDowell Rd.....	14:19
		24th St & McDowell Rd.....	14:31
		Central Ave & McDowell Rd.....	14:43
		19th Ave & McDowell Rd.....	14:51
		43rd Ave & McDowell Rd.....	15:06
		67th Ave & McDowell Rd.....	15:20
		83rd Ave & McDowell Rd.....	15:27
		99th Ave & McDowell Rd.....	15:35

Phoenix West

Effective: 01/22/2024

2069
Sunday

Duty Type	Block	Report Time	Start Place	Start Time	End Time	End Place	Clear Time	Paid Time	Seat Time
ST	CAR	9:52	WEST	9:57	10:05	83VB			
	2012		83VB	10:05	16:05	83VB			
	CAR		83VB	16:05	16:12	WEST	16:12	6h20	5h05

Sign-on	9:52	Deadhead			Deadhead				
		83rd Ave & Van Buren St.....		13:01	83rd Ave & Van Buren St.....			16:01	
Travel by	CAR	83rd Ave & Van Buren St.....		13:05	83rd Ave & Van Buren St.....			16:05	
Car Pull		3 / East / 86 / 20165630			Travel by			CAR	
West Transit Facility.....	9:57	83rd Ave & Van Buren St.....		13:25	83rd Ave & Van Buren St.....			16:05	
83rd Ave & Van Buren St.....	10:05	67th Ave & Van Buren St.....		13:30	83rd Ave & Van Buren St.....			16:05	
		51st Ave & Van Buren St.....		13:39	West Transit Facility.....			16:12	
Block	2012	35th Ave & Van Buren St.....		13:48					
		19th Ave & Van Buren St.....		13:56					
		3 / East / 86 / 20165625			3 / East / 86 / 20165628				
83rd Ave & Van Buren St.....	10:25	Central Ave & Van Buren St.....		14:05	83rd Ave & Van Buren St.....			16:25	
67th Ave & Van Buren St.....	10:30	24th St & Van Buren St.....		14:16	67th Ave & Van Buren St.....			16:30	
51st Ave & Van Buren St.....	10:39	44th St & Van Buren St.....		14:25	51st Ave & Van Buren St.....			16:39	
35th Ave & Van Buren St.....	10:48	Galvin Pkwy & Van Buren St.....		14:32	35th Ave & Van Buren St.....			16:48	
19th Ave & Van Buren St.....	10:56	Phoenix Zoo.....		14:36	19th Ave & Van Buren St.....			16:56	
Central Ave & Van Buren St.....	11:05				Central Ave & Van Buren St....			17:05	
24th St & Van Buren St.....	11:16	3 / West / 104 / 20165602			24th St & Van Buren St.....			17:16	
44th St & Van Buren St.....	11:25	Phoenix Zoo.....		14:51	44th St & Van Buren St.....			17:25	
Galvin Pkwy & Van Buren St.....	11:32	Galvin Pkwy & Van Buren St.....		14:54	Galvin Pkwy & Van Buren St...			17:32	
Phoenix Zoo.....	11:36	44th St & Van Buren St.....		15:00	Phoenix Zoo.....			17:36	
		24th St & Van Buren St.....		15:08					
		2nd Ave & Van Buren St.....		15:20					
		19th Ave & Van Buren St.....		15:28					
		3 / West / 104 / 20165599							
Phoenix Zoo.....	11:51	35th Ave & Van Buren St.....		15:37					
Galvin Pkwy & Van Buren St.....	11:54	51st Ave & Van Buren St.....		15:46					
44th St & Van Buren St.....	12:00	67th Ave & Van Buren St.....		15:53					
24th St & Van Buren St.....	12:08	83rd Ave & Van Buren St.....		16:01					
2nd Ave & Van Buren St.....	12:20								
19th Ave & Van Buren St.....	12:28								
35th Ave & Van Buren St.....	12:37								
51st Ave & Van Buren St.....	12:46								
67th Ave & Van Buren St.....	12:53								
83rd Ave & Van Buren St.....	13:01								

Phoenix West

Effective: 01/22/2024

2070
Sunday

Duty Type	Block	Report Time	Start Place	Start Time	End Time	End Place	Clear Time	Paid Time	Seat Time
ST	CAR	10:15	WEST	10:20	10:40	43LB			
	2021		43LB	10:40	18:05	43LB			
	CAR		43LB	18:05	18:26	WEST	18:26	8h11	6h57

Sign-on	10:15	43 / North / 182 / 20165724	Deadhead
Travel by	CAR	43rd Ave & Lower Buckeye Rd 13:16	43rd Ave & Union Hills Dr..... 16:40
Car Pull		43rd Ave & Van Buren St..... 13:22	43rd Ave & Union Hills Dr..... 16:47
West Transit Facility..... 10:20		43rd Ave & Thomas Rd..... 13:32	-----
43rd Ave & Lower Buckeye Rd 10:40		43rd Ave & Camelback Rd..... 13:40	43 / South / 207 / 20165262
Block	2021	43rd Ave & Glendale Ave..... 13:47	43rd Ave & Union Hills Dr..... 17:01
		43rd Ave & Dunlap Ave..... 13:54	43rd Ave & Thunderbird Rd..... 17:09
		43rd Ave & Thunderbird Rd..... 14:01	43rd Ave & Dunlap Ave..... 17:19
		43rd Ave & Union Hills Dr..... 14:10	43rd Ave & Glendale Ave..... 17:26
		-----	43rd Ave & Camelback Rd..... 17:34
43 / North / 182 / 20165238		Deadhead	43rd Ave & Thomas Rd..... 17:42
43rd Ave & Lower Buckeye Rd 10:46		43rd Ave & Union Hills Dr..... 14:10	43rd Ave & Van Buren St..... 17:51
43rd Ave & Van Buren St..... 10:52		43rd Ave & Union Hills Dr..... 14:17	43rd Ave & Lower Buckeye Rd 17:59
43rd Ave & Thomas Rd..... 11:02		-----	-----
43rd Ave & Camelback Rd..... 11:10		43 / South / 207 / 20165746	Deadhead
43rd Ave & Glendale Ave..... 11:17		43rd Ave & Union Hills Dr..... 14:32	43rd Ave & Lower Buckeye Rd 17:59
43rd Ave & Dunlap Ave..... 11:24		43rd Ave & Thunderbird Rd..... 14:39	43rd Ave & Lower Buckeye Rd 18:05
43rd Ave & Thunderbird Rd..... 11:31		43rd Ave & Dunlap Ave..... 14:49	-----
43rd Ave & Union Hills Dr..... 11:40		43rd Ave & Glendale Ave..... 14:56	Travel by
-----		43rd Ave & Camelback Rd..... 15:04	CAR
Deadhead		43rd Ave & Thomas Rd..... 15:13	Car Pull
43rd Ave & Union Hills Dr..... 11:40		43rd Ave & Van Buren St..... 15:23	43rd Ave & Lower Buckeye Rd 18:05
43rd Ave & Union Hills Dr..... 11:47		43rd Ave & Lower Buckeye Rd 15:31	West Transit Facility..... 18:26
-----		-----	-----
43 / South / 207 / 20165255		Deadhead	43 / North / 182 / 20165738
43rd Ave & Union Hills Dr..... 12:03		43rd Ave & Lower Buckeye Rd 15:31	43rd Ave & Lower Buckeye Rd 18:16
43rd Ave & Thunderbird Rd..... 12:10		43rd Ave & Lower Buckeye Rd 15:37	43rd Ave & Van Buren St..... 18:22
43rd Ave & Dunlap Ave..... 12:20		-----	43rd Ave & Thomas Rd..... 18:32
43rd Ave & Glendale Ave..... 12:26		43 / North / 182 / 20165244	43rd Ave & Camelback Rd..... 18:40
43rd Ave & Camelback Rd..... 12:34		43rd Ave & Lower Buckeye Rd 15:46	43rd Ave & Glendale Ave..... 18:47
43rd Ave & Thomas Rd..... 12:43		43rd Ave & Van Buren St..... 15:52	43rd Ave & Dunlap Ave..... 18:54
43rd Ave & Van Buren St..... 12:53		43rd Ave & Thomas Rd..... 16:02	43rd Ave & Thunderbird Rd..... 19:01
43rd Ave & Lower Buckeye Rd 13:01		43rd Ave & Camelback Rd..... 16:10	43rd Ave & Union Hills Dr..... 19:10
-----		43rd Ave & Glendale Ave..... 16:17	-----
Deadhead		43rd Ave & Dunlap Ave..... 16:24	
43rd Ave & Lower Buckeye Rd 13:01		43rd Ave & Thunderbird Rd..... 16:31	
43rd Ave & Lower Buckeye Rd 13:07		43rd Ave & Union Hills Dr..... 16:40	
-----		-----	

Phoenix West

Effective: 01/22/2024

2071
Sunday

Duty Type	Block	Report Time	Start Place	Start Time	End Time	End Place	Clear Time	Paid Time	Seat Time
ST	CAR	10:22	WEST	10:27	10:35	83VB			
	2030		83VB	10:35	16:35	83VB			
	CAR		83VB	16:35	16:42	WEST	16:42	6h20	5h05

Sign-on	10:22	Deadhead			Deadhead				
Travel by	CAR	83rd Ave & Van Buren St.....		13:31	83rd Ave & Van Buren St.....			16:31	
Car Pull		3 / East / 86 / 20165611			Travel by			CAR	
West Transit Facility.....	10:27	83rd Ave & Van Buren St.....		13:55	83rd Ave & Van Buren St.....			16:35	
83rd Ave & Van Buren St.....	10:35	67th Ave & Van Buren St.....		14:00	Car Pull				
Block	2030	51st Ave & Van Buren St.....		14:09	83rd Ave & Van Buren St.....			16:35	
		35th Ave & Van Buren St.....		14:18	West Transit Facility.....			16:42	
		19th Ave & Van Buren St.....		14:26	3 / East / 86 / 20165617				
		Central Ave & Van Buren St.....		14:35	83rd Ave & Van Buren St.....			16:55	
3 / East / 86 / 20165612		24th St & Van Buren St.....		14:46	67th Ave & Van Buren St.....			17:00	
83rd Ave & Van Buren St.....	10:55	44th St & Van Buren St.....		14:55	51st Ave & Van Buren St.....			17:09	
67th Ave & Van Buren St.....	11:00	Galvin Pkwy & Van Buren St.....		15:02	35th Ave & Van Buren St.....			17:18	
51st Ave & Van Buren St.....	11:09	Phoenix Zoo.....		15:06	19th Ave & Van Buren St.....			17:26	
35th Ave & Van Buren St.....	11:18	3 / West / 104 / 20165646			Central Ave & Van Buren St....			17:35	
19th Ave & Van Buren St.....	11:26	Phoenix Zoo.....		15:21	24th St & Van Buren St.....			17:46	
Central Ave & Van Buren St.....	11:35	Galvin Pkwy & Van Buren St.....		15:24	44th St & Van Buren St.....			17:55	
24th St & Van Buren St.....	11:46	44th St & Van Buren St.....		15:30	Galvin Pkwy & Van Buren St...			18:02	
44th St & Van Buren St.....	11:55	24th St & Van Buren St.....		15:38	Phoenix Zoo.....			18:06	
Galvin Pkwy & Van Buren St.....	12:02	2nd Ave & Van Buren St.....		15:50					
Phoenix Zoo.....	12:06	19th Ave & Van Buren St.....		15:58					
		35th Ave & Van Buren St.....		16:07					
3 / West / 104 / 20165643		51st Ave & Van Buren St.....		16:16					
Phoenix Zoo.....	12:21	67th Ave & Van Buren St.....		16:23					
Galvin Pkwy & Van Buren St.....	12:24	83rd Ave & Van Buren St.....		16:31					
44th St & Van Buren St.....	12:30								
24th St & Van Buren St.....	12:38								
2nd Ave & Van Buren St.....	12:50								
19th Ave & Van Buren St.....	12:58								
35th Ave & Van Buren St.....	13:07								
51st Ave & Van Buren St.....	13:16								
67th Ave & Van Buren St.....	13:23								
83rd Ave & Van Buren St.....	13:31								

Phoenix West

Effective: 01/22/2024

2072
Sunday

Duty Type	Block	Report Time	Start Place	Start Time	End Time	End Place	Clear Time	Paid Time	Seat Time
TRP	CAR	10:40	WEST	10:45	11:05	43LB			
	2006		43LB	11:05	16:06	43LB			
	CAR		43LB	16:06	16:27	WEST	16:27	5h47	4h52

Sign-on	10:40	43 / South / 207 / 20165722		43 / South / 207 / 20165259	
		43rd Ave & Union Hills Dr.....	12:32	43rd Ave & Union Hills Dr.....	15:02
Travel by	CAR	43rd Ave & Thunderbird Rd.....	12:39	43rd Ave & Thunderbird Rd.....	15:09
		43rd Ave & Dunlap Ave.....	12:49	43rd Ave & Dunlap Ave.....	15:19
Car Pull		43rd Ave & Glendale Ave.....	12:56	43rd Ave & Glendale Ave.....	15:26
West Transit Facility.....	10:45	43rd Ave & Camelback Rd.....	13:04	43rd Ave & Camelback Rd.....	15:34
43rd Ave & Lower Buckeye Rd	11:05	43rd Ave & Thomas Rd.....	13:13	43rd Ave & Thomas Rd.....	15:42
		43rd Ave & Van Buren St.....	13:23	43rd Ave & Van Buren St.....	15:52
Block	2006	43rd Ave & Lower Buckeye Rd	13:31	43rd Ave & Lower Buckeye Rd	16:00

43 / North / 182 / 20165729		Deadhead		Deadhead	
43rd Ave & Lower Buckeye Rd	11:16	43rd Ave & Lower Buckeye Rd	13:31	43rd Ave & Lower Buckeye Rd	16:00
43rd Ave & Van Buren St.....	11:22	43rd Ave & Lower Buckeye Rd	13:37	43rd Ave & Lower Buckeye Rd	16:06
43rd Ave & Thomas Rd.....	11:32				
43rd Ave & Camelback Rd.....	11:40	43 / North / 182 / 20165241		Travel by	CAR
43rd Ave & Glendale Ave.....	11:47	43rd Ave & Lower Buckeye Rd	13:46	Car Pull	
43rd Ave & Dunlap Ave.....	11:54	43rd Ave & Van Buren St.....	13:52	43rd Ave & Lower Buckeye Rd	16:06
43rd Ave & Thunderbird Rd.....	12:01	43rd Ave & Thomas Rd.....	14:02	West Transit Facility.....	16:27
43rd Ave & Union Hills Dr.....	12:10	43rd Ave & Camelback Rd.....	14:10		
		43rd Ave & Glendale Ave.....	14:17		
Deadhead		43rd Ave & Dunlap Ave.....	14:24	43 / North / 182 / 20165719	
43rd Ave & Union Hills Dr.....	12:10	43rd Ave & Thunderbird Rd.....	14:31	43rd Ave & Lower Buckeye Rd	16:16
43rd Ave & Union Hills Dr.....	12:17	43rd Ave & Union Hills Dr.....	14:40	43rd Ave & Van Buren St.....	16:22
				43rd Ave & Thomas Rd.....	16:32
		Deadhead		43rd Ave & Camelback Rd.....	16:40
		43rd Ave & Union Hills Dr.....	14:40	43rd Ave & Glendale Ave.....	16:47
		43rd Ave & Union Hills Dr.....	14:47	43rd Ave & Dunlap Ave.....	16:54
				43rd Ave & Thunderbird Rd.....	17:01
				43rd Ave & Union Hills Dr.....	17:10

Phoenix West

Effective: 01/22/2024

2073
Sunday

Duty Type	Block	Report Time	Start Place	Start Time	End Time	End Place	Clear Time	Paid Time	Seat Time
TRP	CAR	11:10	WEST	11:15	11:35	43LB			
	2034		43LB	11:35	16:36	43LB			
	CAR		43LB	16:36	16:57	WEST	16:57	5h47	4h53

Sign-on	11:10	43 / South / 207 / 20165256			43 / South / 207 / 20165745				
		43rd Ave & Union Hills Dr.....	13:02		43rd Ave & Union Hills Dr.....	15:31			
Travel by	CAR	43rd Ave & Thunderbird Rd.....	13:09		43rd Ave & Thunderbird Rd.....	15:39			
		43rd Ave & Dunlap Ave.....	13:19		43rd Ave & Dunlap Ave.....	15:49			
Car Pull		43rd Ave & Glendale Ave.....	13:26		43rd Ave & Glendale Ave.....	15:56			
West Transit Facility.....	11:15	43rd Ave & Camelback Rd.....	13:34		43rd Ave & Camelback Rd.....	16:04			
43rd Ave & Lower Buckeye Rd	11:35	43rd Ave & Thomas Rd.....	13:43		43rd Ave & Thomas Rd.....	16:12			
		43rd Ave & Van Buren St.....	13:53		43rd Ave & Van Buren St.....	16:22			
Block	2034	43rd Ave & Lower Buckeye Rd	14:01		43rd Ave & Lower Buckeye Rd	16:30			

43 / North / 182 / 20165239		Deadhead			Deadhead				
43rd Ave & Lower Buckeye Rd	11:46	43rd Ave & Lower Buckeye Rd	14:01		43rd Ave & Lower Buckeye Rd	16:30			
43rd Ave & Van Buren St.....	11:52	43rd Ave & Lower Buckeye Rd	14:07		43rd Ave & Lower Buckeye Rd	16:36			
43rd Ave & Thomas Rd.....	12:02								
43rd Ave & Camelback Rd.....	12:10	43 / North / 182 / 20165735			Travel by	CAR			
43rd Ave & Glendale Ave.....	12:17	43rd Ave & Lower Buckeye Rd	14:16		Car Pull				
43rd Ave & Dunlap Ave.....	12:24	43rd Ave & Van Buren St.....	14:22		43rd Ave & Lower Buckeye Rd	16:36			
43rd Ave & Thunderbird Rd.....	12:31	43rd Ave & Thomas Rd.....	14:32		West Transit Facility.....	16:57			
43rd Ave & Union Hills Dr.....	12:40	43rd Ave & Camelback Rd.....	14:40						
		43rd Ave & Glendale Ave.....	14:47						
Deadhead		43rd Ave & Dunlap Ave.....	14:54		43 / North / 182 / 20165245				
43rd Ave & Union Hills Dr.....	12:40	43rd Ave & Thunderbird Rd.....	15:01		43rd Ave & Lower Buckeye Rd	16:46			
43rd Ave & Union Hills Dr.....	12:47	43rd Ave & Union Hills Dr.....	15:10		43rd Ave & Van Buren St.....	16:52			
					43rd Ave & Thomas Rd.....	17:02			
		Deadhead			43rd Ave & Camelback Rd.....	17:10			
		43rd Ave & Union Hills Dr.....	15:10		43rd Ave & Glendale Ave.....	17:17			
		43rd Ave & Union Hills Dr.....	15:17		43rd Ave & Dunlap Ave.....	17:24			
					43rd Ave & Thunderbird Rd.....	17:31			
					43rd Ave & Union Hills Dr.....	17:40			

Phoenix West

Effective: 01/22/2024

2074
Sunday

Duty Type	Block	Report Time	Start Place	Start Time	End Time	End Place	Clear Time	Paid Time	Seat Time
ST	CAR 2055	11:24	WEST DSTC	11:29 11:43	11:43 17:57	DSTC WEST	17:57	6h33	5h37

Sign-on	11:24	MARY / ClkWs / 786 / 20166037		MARY / ClkWs / 786 / 20166035
		Desert Sky TC.....	14:00	Desert Sky TC.....
Travel by	CAR	59th Ave & Thomas Rd.....	14:13	59th Ave & Thomas Rd.....
		67th Ave & Campbell Ave.....	14:24	67th Ave & Campbell Ave.....
Car Pull		51st Ave & Indian School Rd.....	14:35	51st Ave & Indian School Rd.....
West Transit Facility.....	11:29	55th Ave & Encanto Blvd.....	14:49	55th Ave & Encanto Blvd.....
Desert Sky TC.....	11:43	63rd Ave & Fillmore St.....	14:58	63rd Ave & Fillmore St.....
		75th Ave & Encanto Blvd.....	15:12	75th Ave & Encanto Blvd.....
Block	2055	83rd Ave & Osborn Rd.....	15:30	83rd Ave & Osborn Rd.....
		Desert Sky TC.....	15:43	Desert Sky TC.....
MARY / ClkWs / 786 / 20166031		-----		
		Desert Sky TC.....	12:00	Pull In
		59th Ave & Thomas Rd.....	12:13	Desert Sky TC.....
		67th Ave & Campbell Ave.....	12:24	West Transit Facility.....
		51st Ave & Indian School Rd.....	12:35	
		55th Ave & Encanto Blvd.....	12:49	
		63rd Ave & Fillmore St.....	12:58	
		75th Ave & Encanto Blvd.....	13:12	
		83rd Ave & Osborn Rd.....	13:30	
		Desert Sky TC.....	13:43	

Phoenix West

Effective: 01/22/2024

2075
Sunday

Duty Type	Block	Report Time	Start Place	Start Time	End Time	End Place	Clear Time	Paid Time	Seat Time
TRP	CAR	11:26	WEST	11:31	11:44	93TH			
	2008		93TH	11:44	15:31	94TH			
	CAR		94TH	15:31	15:47	WEST	15:47	4h21	3h45

Sign-on	11:26	29 / West / 199 / 20165523		Travel by	CAR
		Pima Park.....	13:53		
Travel by	CAR	Scottsdale Rd & Thomas Rd.....	13:58	Car Pull	
		56th St & Thomas Rd.....	14:04	94th Av Layover.....	15:31
Car Pull		44th St & Thomas Rd.....	14:12	West Transit Facility.....	15:47
West Transit Facility.....	11:31	24th St & Thomas Rd.....	14:26		
93rd Ave & Thomas Rd.....	11:44	Central Ave & Thomas Rd.....	14:40	<i>29 / East / 31 / 20165484</i>	
		19th Ave & Thomas Rd.....	14:47	<i>93rd Ave & Thomas Rd.....</i>	<i>16:01</i>
Block	2008	35th Ave & Thomas Rd.....	14:57	<i>Thomas Rd at Desert Sky TC..</i>	<i>16:07</i>
		51st Ave & Thomas Rd.....	15:04	<i>67th Ave & Thomas Rd.....</i>	<i>16:14</i>
		67th Ave & Thomas Rd.....	15:11	<i>51st Ave & Thomas Rd.....</i>	<i>16:24</i>
		Desert Sky TC.....	15:21	<i>35th Ave & Thomas Rd.....</i>	<i>16:33</i>
		Desert Sky TC.....	15:24	<i>19th Ave & Thomas Rd.....</i>	<i>16:42</i>
		93rd Ave & Thomas Rd.....	15:30	<i>Central Ave & Thomas Rd.....</i>	<i>16:50</i>
		-----		<i>24th St & Thomas Rd.....</i>	<i>17:03</i>
		Deadhead		<i>44th St & Thomas Rd.....</i>	<i>17:15</i>
		93rd Ave & Thomas Rd.....	15:30	<i>56th St & Thomas Rd.....</i>	<i>17:22</i>
		94th Av Layover.....	15:31	<i>Scottsdale Rd & Thomas Rd...</i>	<i>17:28</i>
		-----		<i>Pima Park.....</i>	<i>17:35</i>
		<i>29 / East / 31 / 20165485</i>			
93rd Ave & Thomas Rd.....	12:00				
Thomas Rd at Desert Sky TC....	12:06				
67th Ave & Thomas Rd.....	12:13				
51st Ave & Thomas Rd.....	12:23				
35th Ave & Thomas Rd.....	12:32				
19th Ave & Thomas Rd.....	12:42				
Central Ave & Thomas Rd.....	12:50				
24th St & Thomas Rd.....	13:03				
44th St & Thomas Rd.....	13:18				
56th St & Thomas Rd.....	13:25				
Scottsdale Rd & Thomas Rd.....	13:31				
Pima Park.....	13:38				

Phoenix West

Effective: 01/22/2024

2076
Sunday

Duty Type	Block	Report Time	Start Place	Start Time	End Time	End Place	Clear Time	Paid Time	Seat Time
ST	CAR	11:28	WEST	11:33	11:45	51VB			
	2010		51VB	11:45	17:45	51VB			
	CAR		51VB	17:45	17:59	WEST	17:59	6h31	5h01

Sign-on	11:28	51 / South / 27 / 20165762			Travel by	CAR
		ASU West Campus.....	14:32			
Travel by	CAR	51st Ave & Olive Ave.....	14:44		Car Pull	
		51st Ave & Glendale Ave.....	14:51		51st Ave & Van Buren St.....	17:45
Car Pull		51st Ave & Camelback Rd.....	14:58		West Transit Facility.....	17:59
West Transit Facility.....	11:33	51st Ave & Thomas Rd.....	15:07			
51st Ave & Van Buren St.....	11:45	51st Ave & Van Buren St.....	15:15		<i>51st Ave & Lower Buckeye Rd</i>	<i>17:51</i>
		51st Ave & Lower Buckeye Rd...	15:20		<i>51st Ave & Baseline Rd.....</i>	<i>17:59</i>
Block	2010	51st Ave & Baseline Rd.....	15:28		<i>Vee Quiva Casino.....</i>	<i>18:11</i>
					<i>Komatke Health Center.....</i>	<i>18:23</i>
					<i>51st Ave & Pecos Rd.....</i>	<i>18:27</i>
51 / South / 28 / 20165285		Deadhead				
51st Ave & Van Buren St.....	11:45	51st Ave & Baseline Rd.....	15:28			
51st Ave & Lower Buckeye Rd...	11:50	51st Ave & Baseline Rd.....	15:33		51 / North / 206 / 20165278	
51st Ave & Baseline Rd.....	11:58				51st Ave & Pecos Rd.....	18:51
Vee Quiva Casino.....	12:10	51 / North / 206 / 20165783			Vee Quiva Casino.....	19:01
Komatke Health Center.....	12:22	51st Ave & Baseline Rd.....	15:42		51st Ave & Baseline Rd.....	19:13
51st Ave & Pecos Rd.....	12:26	51st Ave & Lower Buckeye Rd...	15:49		51st Ave & Lower Buckeye Rd	19:20
		51st Ave & Van Buren St.....	15:56		51st Ave & Van Buren St.....	19:27
51 / North / 206 / 20165273		51st Ave & Thomas Rd.....	16:05		51st Ave & Thomas Rd.....	19:35
51st Ave & Pecos Rd.....	12:51	51st Ave & Camelback Rd.....	16:13		51st Ave & Camelback Rd.....	19:43
Vee Quiva Casino.....	13:01	51st Ave & Glendale Ave.....	16:18		51st Ave & Glendale Ave.....	19:48
51st Ave & Baseline Rd.....	13:13	51st Ave & Olive Ave.....	16:25		51st Ave & Olive Ave.....	19:55
51st Ave & Lower Buckeye Rd...	13:20	ASU West Campus.....	16:36		ASU West Campus.....	20:06
51st Ave & Van Buren St.....	13:27					
51st Ave & Thomas Rd.....	13:35	51 / South / 28 / 20165291				
51st Ave & Camelback Rd.....	13:43	ASU West Campus.....	17:03			
51st Ave & Glendale Ave.....	13:50	51st Ave & Olive Ave.....	17:15			
51st Ave & Olive Ave.....	13:57	51st Ave & Glendale Ave.....	17:22			
ASU West Campus.....	14:08	51st Ave & Camelback Rd.....	17:28			
		51st Ave & Thomas Rd.....	17:37			
		51st Ave & Van Buren St.....	17:45			

Phoenix West

Effective: 01/22/2024

2077
Sunday

Duty Type	Block	Report Time	Start Place	Start Time	End Time	End Place	Clear Time	Paid Time	Seat Time
TRP	2065	11:42	WEST 107I-E	11:47	16:12	107I-E	16:29	4h47	4h06

Sign-on	11:42	Deadhead	Deadhead
		Granite Reef Rd & Indian Sch	107th Ave & Indian School Rd. 16:06
Block	2065	Pima Rd & Chaparral Rd.....	107th Ave & Indian School Rd. 16:12

Pull Out		Deadhead	Travel by CAR
West Transit Facility.....	12:02	Pima Rd & Chaparral Rd.....	14:22
107th Ave & Indian School Rd.	12:17	Granite Reef Rd & Indian Sch	14:26

41 / East / 172 / 20165554		41 / West / 724 / 20165582	
107th Ave & Indian School Rd.	12:17	Granite Reef Rd & Indian Sch	14:26
83rd Ave & Indian School Rd.....	12:25	Scottsdale Rd & Indian School	14:31
59th Ave & Indian School Rd.....	12:36	56th St & Indian School Rd.....	14:38
43rd Ave & Indian School Rd.....	12:45	44th St & Indian School Rd.....	14:42
19th Ave & Indian School Rd.....	13:01	32nd St & Indian School Rd.....	14:48
Central Ave & Indian School Rd.	13:10	24th St & Indian School Rd.....	14:53
Central Ave & Indian School Rd.	13:14	Central Ave & Indian School Rd.	15:05
24th St & Indian School Rd.....	13:28	Central Ave & Indian School Rd.	15:09
32nd St & Indian School Rd.....	13:32	19th Ave & Indian School Rd.....	15:17
44th St & Indian School Rd.....	13:39	43rd Ave & Indian School Rd.....	15:33
56th St & Indian School Rd.....	13:42	59th Ave & Indian School Rd.....	15:42
Scottsdale Rd & Indian School	13:49	83rd Ave & Indian School Rd.....	15:54
Granite Reef Rd & Indian Sch	13:57	107th Ave & Indian School Rd.	16:06

		41 / East / 172 / 20165546	
		<i>107th Ave & Indian School Rd.</i>	<i>16:48</i>
		<i>83rd Ave & Indian School Rd..</i>	<i>16:57</i>
		<i>59th Ave & Indian School Rd...</i>	<i>17:08</i>
		<i>43rd Ave & Indian School Rd..</i>	<i>17:17</i>
		<i>19th Ave & Indian School Rd...</i>	<i>17:31</i>
		<i>Central Ave & Indian School R</i>	<i>17:40</i>
		<i>Central Ave & Indian School R</i>	<i>17:44</i>
		<i>24th St & Indian School Rd.....</i>	<i>17:58</i>
		<i>32nd St & Indian School Rd....</i>	<i>18:02</i>
		<i>44th St & Indian School Rd.....</i>	<i>18:09</i>
		<i>56th St & Indian School Rd.....</i>	<i>18:12</i>
		<i>Scottsdale Rd & Indian Schoo</i>	<i>18:19</i>
		<i>Granite Reef Rd & Indian Sch</i>	<i>18:27</i>

Phoenix West

Effective: 01/22/2024

2078
Sunday

Duty Type	Block	Report Time	Start Place	Start Time	End Time	End Place	Clear Time	Paid Time	Seat Time
ST	CAR	11:41	WEST 94TH	11:46	12:00	94TH	20:09	8h28	6h50

Sign-on	11:41	29 / West / 199 / 20165520	29 / East / 31 / 20165503
		Pima Park.....	93rd Ave & Thomas Rd.....
Travel by	CAR	Scottsdale Rd & Thomas Rd.....	Thomas Rd at Desert Sky TC....
		56th St & Thomas Rd.....	67th Ave & Thomas Rd.....
Car Pull		44th St & Thomas Rd.....	51st Ave & Thomas Rd.....
West Transit Facility.....	11:46	24th St & Thomas Rd.....	35th Ave & Thomas Rd.....
94th Av Layover.....	12:00	Central Ave & Thomas Rd.....	19th Ave & Thomas Rd.....
		19th Ave & Thomas Rd.....	Central Ave & Thomas Rd.....
Block	2035	35th Ave & Thomas Rd.....	24th St & Thomas Rd.....
		51st Ave & Thomas Rd.....	44th St & Thomas Rd.....
Deadhead		67th Ave & Thomas Rd.....	56th St & Thomas Rd.....
94th Av Layover.....	12:29	Desert Sky TC.....	Scottsdale Rd & Thomas Rd.....
93rd Ave & Thomas Rd.....	12:30	Desert Sky TC.....	Pima Park.....
		93rd Ave & Thomas Rd.....	16:00
-----		-----	
29 / East / 31 / 20165496		Deadhead	29 / West / 199 / 20165531
93rd Ave & Thomas Rd.....	12:30	93rd Ave & Thomas Rd.....	Pima Park.....
Thomas Rd at Desert Sky TC....	12:36	94th Av Layover.....	16:01
67th Ave & Thomas Rd.....	12:43	-----	-----
51st Ave & Thomas Rd.....	12:53	Deadhead	Deadhead
35th Ave & Thomas Rd.....	13:02	94th Av Layover.....	16:30
19th Ave & Thomas Rd.....	13:12	93rd Ave & Thomas Rd.....	16:31
Central Ave & Thomas Rd.....	13:20	-----	-----
24th St & Thomas Rd.....	13:33		
44th St & Thomas Rd.....	13:48		
56th St & Thomas Rd.....	13:55		
Scottsdale Rd & Thomas Rd.....	14:01		
Pima Park.....	14:08		

			Pull In
			93rd Ave & Thomas Rd.....
			West Transit Facility.....
			19:56
			20:09

Phoenix West

Effective: 01/22/2024

2079
Sunday

Duty Type	Block	Report Time	Start Place	Start Time	End Time	End Place	Clear Time	Paid Time	Seat Time
TRP	CAR	11:49	WEST	11:54	12:12	107I-E			
	2016		107I-E	12:12	16:42	107I-E			
	CAR		107I-E	16:42	16:59	WEST	16:59	5h10	4h09

Sign-on	11:49	Deadhead	Deadhead
Travel by	CAR	Granite Reef Rd & Indian Sch	107th Ave & Indian School Rd.
		Pima Rd & Chaparral Rd.....	107th Ave & Indian School Rd.
Car Pull		Deadhead	Travel by
West Transit Facility.....	11:54	Pima Rd & Chaparral Rd.....	CAR
107th Ave & Indian School Rd.	12:12	Granite Reef Rd & Indian Sch	
			Car Pull
Block	2016	41 / West / 724 / 20165583	107th Ave & Indian School Rd.
		Granite Reef Rd & Indian Sch	West Transit Facility.....
		Scottsdale Rd & Indian School	
		56th St & Indian School Rd.....	41 / East / 172 / 20165562
		44th St & Indian School Rd.....	107th Ave & Indian School Rd.
		32nd St & Indian School Rd.....	83rd Ave & Indian School Rd..
		24th St & Indian School Rd.....	59th Ave & Indian School Rd...
		Central Ave & Indian School Rd.	43rd Ave & Indian School Rd..
		Central Ave & Indian School Rd.	19th Ave & Indian School Rd...
		19th Ave & Indian School Rd.....	Central Ave & Indian School R
		43rd Ave & Indian School Rd.....	Central Ave & Indian School R
		59th Ave & Indian School Rd.....	24th St & Indian School Rd....
		83rd Ave & Indian School Rd.....	32nd St & Indian School Rd....
		107th Ave & Indian School Rd.	44th St & Indian School Rd....
			56th St & Indian School Rd.....
			Scottsdale Rd & Indian Schoo
			Granite Reef Rd & Indian Sch

Phoenix West

Effective: 01/22/2024

2080
Sunday

Duty Type	Block	Report Time	Start Place	Start Time	End Time	End Place	Clear Time	Paid Time	Seat Time
ST	CAR	11:52	WEST	11:57	12:05	83VB			
	2005		83VB	12:05	18:05	83VB			
	CAR		83VB	18:05	18:12	WEST	18:12	6h20	5h05

Sign-on	11:52	Deadhead			Deadhead				
Travel by	CAR	83rd Ave & Van Buren St.....		15:01	83rd Ave & Van Buren St.....			18:01	
Car Pull		3 / East / 86 / 20165631			Travel by			CAR	
West Transit Facility.....	11:57	83rd Ave & Van Buren St.....		15:25	83rd Ave & Van Buren St.....			18:05	
83rd Ave & Van Buren St.....	12:05	67th Ave & Van Buren St.....		15:30	Car Pull				
Block	2005	51st Ave & Van Buren St.....		15:39	83rd Ave & Van Buren St.....			18:05	
		35th Ave & Van Buren St.....		15:48	West Transit Facility.....			18:12	
		19th Ave & Van Buren St.....		15:56	3 / East / 86 / 20165633				
		Central Ave & Van Buren St.....		16:05	83rd Ave & Van Buren St.....			18:25	
		24th St & Van Buren St.....		16:16	67th Ave & Van Buren St.....			18:30	
		44th St & Van Buren St.....		16:25	51st Ave & Van Buren St.....			18:39	
		Galvin Pkwy & Van Buren St.....		16:32	35th Ave & Van Buren St.....			18:48	
		Phoenix Zoo.....		16:36	19th Ave & Van Buren St.....			18:56	
		3 / West / 104 / 20165604			Central Ave & Van Buren St....			19:05	
		Phoenix Zoo.....		16:51	24th St & Van Buren St.....			19:16	
		Galvin Pkwy & Van Buren St.....		16:54	44th St & Van Buren St.....			19:25	
		44th St & Van Buren St.....		17:00	Galvin Pkwy & Van Buren St...			19:32	
		24th St & Van Buren St.....		17:08	Phoenix Zoo.....			19:36	
		2nd Ave & Van Buren St.....		17:20					
		19th Ave & Van Buren St.....		17:28					
		35th Ave & Van Buren St.....		17:37					
		51st Ave & Van Buren St.....		17:46					
		67th Ave & Van Buren St.....		17:53					
		83rd Ave & Van Buren St.....		18:01					
		3 / West / 104 / 20165601							
		Phoenix Zoo.....		13:51					
		Galvin Pkwy & Van Buren St.....		13:54					
		44th St & Van Buren St.....		14:00					
		24th St & Van Buren St.....		14:08					
		2nd Ave & Van Buren St.....		14:20					
		19th Ave & Van Buren St.....		14:28					
		35th Ave & Van Buren St.....		14:37					
		51st Ave & Van Buren St.....		14:46					
		67th Ave & Van Buren St.....		14:53					
		83rd Ave & Van Buren St.....		15:01					

Phoenix West

Effective: 01/22/2024

2081
Sunday

Duty Type	Block	Report Time	Start Place	Start Time	End Time	End Place	Clear Time	Paid Time	Seat Time
ST	CAR 2061	11:55	WEST DSTC	12:00 12:14	12:14 18:28	DSTC WEST	18:28	6h33	5h40

Sign-on	11:55	MARY / CCIkWs / 787 / 20166049	MARY / CCIkWs / 787 / 20166047
<hr/>		Desert Sky TC..... 14:30	Desert Sky TC..... 16:30
Travel by	CAR	83rd Ave & Osborn Rd..... 14:46	83rd Ave & Osborn Rd..... 16:46
<hr/>		75th Ave & Encanto Blvd..... 15:04	75th Ave & Encanto Blvd..... 17:04
Car Pull		63rd Ave & Fillmore St..... 15:18	63rd Ave & Fillmore St..... 17:18
West Transit Facility..... 12:00		55th Ave & Encanto Blvd..... 15:27	55th Ave & Encanto Blvd..... 17:27
Desert Sky TC..... 12:14		51st Ave & Indian School Rd..... 15:40	51st Ave & Indian School Rd..... 17:40
<hr/>		67th Ave & Campbell Ave..... 15:51	67th Ave & Campbell Ave..... 17:51
Block	2061	59th Ave & Thomas Rd..... 16:02	59th Ave & Thomas Rd..... 18:02
<hr/>		Desert Sky TC..... 16:14	Desert Sky TC..... 18:14
<hr/>		-----	
MARY / CCIkWs / 787 / 20166046			Pull In
Desert Sky TC..... 12:30		83rd Ave & Osborn Rd..... 12:46	Desert Sky TC..... 18:14
		75th Ave & Encanto Blvd..... 13:04	West Transit Facility..... 18:28
		63rd Ave & Fillmore St..... 13:18	
		55th Ave & Encanto Blvd..... 13:27	
		51st Ave & Indian School Rd..... 13:40	
		67th Ave & Campbell Ave..... 13:51	
		59th Ave & Thomas Rd..... 14:02	
		Desert Sky TC..... 14:14	
<hr/>		-----	

Phoenix West

Effective: 01/22/2024

2082
Sunday

Duty Type	Block	Report Time	Start Place	Start Time	End Time	End Place	Clear Time	Paid Time	Seat Time
ST	CAR 2017	12:04	WEST 51HD	12:09 12:20	12:20 21:27	51HD WEST	21:27	9h23	7h01

Sign-on	12:04	Deadhead	Deadhead
Travel by	CAR	59th Ave & Buckeye Rd..... 15:16	51st Ave & Hadley St..... 18:50
Car Pull		51st Ave & Hadley St..... 15:20	59th Ave & Buckeye Rd..... 18:54
West Transit Facility..... 12:09		Deadhead	59 / North / 830 / 20165303
51st Ave & Hadley St..... 12:20		51st Ave & Hadley St..... 15:49	59th Ave & Buckeye Rd..... 18:54
Block	2017	59th Ave & Buckeye Rd..... 15:53	59th Ave & Van Buren St..... 18:56
Deadhead		59 / North / 830 / 20165309	59th Ave & Thomas Rd..... 19:04
51st Ave & Hadley St..... 12:49		59th Ave & Buckeye Rd..... 15:53	59th Ave & Camelback Rd..... 19:13
59th Ave & Buckeye Rd..... 12:53		59th Ave & Van Buren St..... 15:55	59th Ave & Glendale Ave..... 19:22
59 / North / 830 / 20165310		59th Ave & Thomas Rd..... 16:04	59th Ave & Olive Ave..... 19:30
59th Ave & Buckeye Rd..... 12:53		59th Ave & Camelback Rd..... 16:13	59th Ave & Thunderbird Rd..... 19:41
59th Ave & Van Buren St..... 12:55		59th Ave & Glendale Ave..... 16:23	59th Ave & Bell Rd..... 19:48
59th Ave & Thomas Rd..... 13:04		59th Ave & Olive Ave..... 16:33	59th Ave & Beardsley Rd..... 19:55
59th Ave & Camelback Rd..... 13:13		59th Ave & Thunderbird Rd..... 16:45	59 / South / 220 / 20165305
59th Ave & Glendale Ave..... 13:23		59th Ave & Bell Rd..... 16:52	59th Ave & Beardsley Rd..... 20:19
59th Ave & Olive Ave..... 13:33		59th Ave & Beardsley Rd..... 17:01	59th Ave & Bell Rd..... 20:24
59th Ave & Thunderbird Rd..... 13:45		59 / South / 220 / 20165316	59th Ave & Thunderbird Rd..... 20:30
59th Ave & Bell Rd..... 13:52		59th Ave & Beardsley Rd..... 17:13	59th Ave & Olive Ave..... 20:41
59th Ave & Beardsley Rd..... 14:00		59th Ave & Bell Rd..... 17:19	59th Ave & Glendale Ave..... 20:49
59 / South / 220 / 20165313		59th Ave & Thunderbird Rd..... 17:26	59th Ave & Camelback Rd..... 20:57
59th Ave & Beardsley Rd..... 14:13		59th Ave & Olive Ave..... 17:38	59th Ave & Thomas Rd..... 21:04
59th Ave & Bell Rd..... 14:19		59th Ave & Glendale Ave..... 17:48	59th Ave & Van Buren St..... 21:12
59th Ave & Thunderbird Rd..... 14:26		59th Ave & Camelback Rd..... 17:57	59th Ave & Buckeye Rd..... 21:15
59th Ave & Olive Ave..... 14:38		59th Ave & Thomas Rd..... 18:04	Pull In
59th Ave & Glendale Ave..... 14:48		59th Ave & Van Buren St..... 18:13	59th Ave & Buckeye Rd..... 21:15
59th Ave & Camelback Rd..... 14:57		59th Ave & Buckeye Rd..... 18:16	West Transit Facility..... 21:27
59th Ave & Thomas Rd..... 15:04		Deadhead	
59th Ave & Van Buren St..... 15:13		59th Ave & Buckeye Rd..... 18:16	
59th Ave & Buckeye Rd..... 15:16		51st Ave & Hadley St..... 18:20	

Phoenix West

Effective: 01/22/2024

2083
Sunday

Duty Type	Block	Report Time	Start Place	Start Time	End Time	End Place	Clear Time	Paid Time	Seat Time
ST	CAR 2022	12:23	WEST DSTC	12:28 12:42	12:42 22:47	DSTC WEST	22:47	10h24	8h01

Sign-on	12:23	75 / South / 149 / 20165424	Deadhead
Travel by	CAR	75th Ave & Camelback Rd.....	75th Ave & Camelback Rd..... 19:24
Car Pull		Desert Sky TC.....	67th Ave & Camelback Rd..... 19:27
West Transit Facility.....	12:28	75th Ave & Van Buren St.....	
Desert Sky TC.....	12:42	75th Ave & Lower Buckeye Rd	15:56
Block	2022		67 / South / 254 / 20165904
		Deadhead	67th Ave & Camelback Rd..... 19:45
		75th Ave & Lower Buckeye Rd	67th Ave & Thomas Rd..... 19:52
		Sierra Linda HS-North.....	67th Ave & Van Buren St..... 20:00
			Sierra Linda HS-South..... 20:07
		83 / North / 183 / 20165856	Deadhead
Desert Sky TC.....	12:42	67 / North / 108 / 20165212	Sierra Linda HS-South..... 20:07
83rd Ave & Camelback Rd.....	12:52	Sierra Linda HS-North.....	75th Ave & Lower Buckeye Rd 20:12
83rd Ave & Glendale Ave.....	12:57	67th Ave & Van Buren St.....	
83rd Ave & Peoria Ave.....	13:09	67th Ave & Thomas Rd.....	
83rd Ave & Thunderbird Rd.....	13:15	67th Ave & Thomas Rd.....	
Arrowhead Mall North.....	13:26	67th Ave & Camelback Rd.....	75 / North / 147 / 20165443
		67th Ave & Glendale Ave.....	75th Ave & Lower Buckeye Rd 20:25
Deadhead		67th Ave & Olive Ave.....	75th Ave & Van Buren St..... 20:30
Arrowhead Mall North.....	13:26	67th Ave & Thunderbird Rd.....	Desert Sky TC..... 20:41
Arrowhead Mall Layover.....	13:28	67th Ave & Union Hills Dr.....	75th Ave & Camelback Rd..... 20:49
Deadhead		Deadhead	Deadhead
Arrowhead Mall Layover.....	13:55	67th Ave & Union Hills Dr.....	75th Ave & Camelback Rd..... 20:49
Arrowhead Mall North.....	13:57	67th Ave & Union Hills Dr.....	83rd Ave & Camelback Rd..... 20:52
		67 / South / 254 / 20165228	83 / South / 155 / 20165458
83 / South / 155 / 20165879		67th Ave & Union Hills Dr.....	83rd Ave & Camelback Rd..... 21:05
Arrowhead Mall North.....	13:57	67th Ave & Thunderbird Rd.....	Desert Sky TC..... 21:11
83rd Ave & Thunderbird Rd.....	14:08	67th Ave & Olive Ave.....	83rd Ave & Van Buren St..... 21:19
83rd Ave & Peoria Ave.....	14:14	67th Ave & Glendale Ave.....	
83rd Ave & Glendale Ave.....	14:27	67th Ave & Camelback Rd.....	Deadhead
83rd Ave & Camelback Rd.....	14:32	67th Ave & Thomas Rd.....	83rd Ave & Van Buren St..... 21:19
Desert Sky TC.....	14:41	67th Ave & Van Buren St.....	83rd Ave & Van Buren St..... 21:23
83rd Ave & Van Buren St.....	14:51	Sierra Linda HS-South.....	
			83 / North / 183 / 20165885
Deadhead		Deadhead	83rd Ave & Van Buren St..... 21:34
83rd Ave & Van Buren St.....	14:51	Sierra Linda HS-South.....	Desert Sky TC..... 21:42
83rd Ave & Van Buren St.....	14:55	75th Ave & Lower Buckeye Rd	83rd Ave & Camelback Rd..... 21:50
			83rd Ave & Glendale Ave..... 21:55
83 / North / 153 / 20165470		75 / North / 147 / 20165910	83rd Ave & Peoria Ave..... 22:05
83rd Ave & Van Buren St.....	15:03	75th Ave & Lower Buckeye Rd	83rd Ave & Thunderbird Rd..... 22:11
Desert Sky TC.....	15:12	75th Ave & Van Buren St.....	Arrowhead Mall North..... 22:20
83rd Ave & Camelback Rd.....	15:22	Desert Sky TC.....	
		75th Ave & Camelback Rd.....	Pull In
Deadhead			Arrowhead Mall North..... 22:20
83rd Ave & Camelback Rd.....	15:22		West Transit Facility..... 22:47
75th Ave & Camelback Rd.....	15:25		

Phoenix West

Effective: 01/22/2024

2084
Sunday

Duty Type	Block	Report Time	Start Place	Start Time	End Time	End Place	Clear Time	Paid Time	Seat Time
ST	CAR 2062	12:24	WEST DSTC	12:29 12:43	12:43 18:57	DSTC WEST	18:57	6h33	5h37

Sign-on	12:24	MARY / ClkWs / 786 / 20166038				MARY / ClkWs / 786 / 20166039			
		Desert Sky TC.....		15:00		Desert Sky TC.....		17:00	
Travel by	CAR	59th Ave & Thomas Rd.....		15:13		59th Ave & Thomas Rd.....		17:13	
		67th Ave & Campbell Ave.....		15:24		67th Ave & Campbell Ave.....		17:24	
Car Pull		51st Ave & Indian School Rd.....		15:35		51st Ave & Indian School Rd.....		17:35	
West Transit Facility.....	12:29	55th Ave & Encanto Blvd.....		15:49		55th Ave & Encanto Blvd.....		17:49	
Desert Sky TC.....	12:43	63rd Ave & Fillmore St.....		15:58		63rd Ave & Fillmore St.....		17:58	
		75th Ave & Encanto Blvd.....		16:12		75th Ave & Encanto Blvd.....		18:12	
Block	2062	83rd Ave & Osborn Rd.....		16:30		83rd Ave & Osborn Rd.....		18:30	
		Desert Sky TC.....		16:43		Desert Sky TC.....		18:43	
MARY / ClkWs / 786 / 20166036									
		Desert Sky TC.....		13:00					
		59th Ave & Thomas Rd.....		13:13					
		67th Ave & Campbell Ave.....		13:24					
		51st Ave & Indian School Rd.....		13:35					
		55th Ave & Encanto Blvd.....		13:49					
		63rd Ave & Fillmore St.....		13:58					
		75th Ave & Encanto Blvd.....		14:12					
		83rd Ave & Osborn Rd.....		14:30					
		Desert Sky TC.....		14:43					
						Pull In			
						Desert Sky TC.....		18:43	
						West Transit Facility.....		18:57	

Phoenix West

Effective: 01/22/2024

2085
Sunday

Duty Type	Block	Report Time	Start Place	Start Time	End Time	End Place	Clear Time	Paid Time	Seat Time
ST	CAR 2003	12:25	WEST 94TH	12:30 12:44	12:44 22:22	94TH WEST	22:22	9h57	8h21

Sign-on	12:25	Deadhead	Deadhead
Travel by	CAR	93rd Ave & Thomas Rd..... 16:29	93rd Ave & Thomas Rd..... 20:23
Car Pull		94th Av Layover..... 16:30	94th Av Layover..... 20:24
West Transit Facility..... 12:30		Deadhead	Deadhead
94th Av Layover..... 12:44		94th Av Layover..... 17:00	94th Av Layover..... 20:37
		93rd Ave & Thomas Rd..... 17:01	93rd Ave & Thomas Rd..... 20:38
Block	2003	29 / East / 31 / 20165488	29 / East / 257 / 20165708
Deadhead		93rd Ave & Thomas Rd..... 17:01	93rd Ave & Thomas Rd..... 20:38
94th Av Layover..... 12:59		Thomas Rd at Desert Sky TC.... 17:07	Thomas Rd at Desert Sky TC.... 20:43
93rd Ave & Thomas Rd..... 13:00		67th Ave & Thomas Rd..... 17:14	67th Ave & Thomas Rd..... 20:49
		51st Ave & Thomas Rd..... 17:24	51st Ave & Thomas Rd..... 20:57
		35th Ave & Thomas Rd..... 17:33	35th Ave & Thomas Rd..... 21:04
29 / East / 31 / 20165486		19th Ave & Thomas Rd..... 17:42	19th Ave & Thomas Rd..... 21:13
93rd Ave & Thomas Rd..... 13:00		Central Ave & Thomas Rd..... 17:50	Central Ave & Thomas Rd..... 21:20
Thomas Rd at Desert Sky TC.... 13:06		24th St & Thomas Rd..... 18:03	24th St & Thomas Rd..... 21:31
67th Ave & Thomas Rd..... 13:13		44th St & Thomas Rd..... 18:15	44th St & Thomas Rd..... 21:41
51st Ave & Thomas Rd..... 13:23		56th St & Thomas Rd..... 18:22	56th St & Thomas Rd..... 21:47
35th Ave & Thomas Rd..... 13:32		Scottsdale Rd & Thomas Rd.... 18:28	
19th Ave & Thomas Rd..... 13:42		Pima Park..... 18:35	
Central Ave & Thomas Rd..... 13:50			Pull In
24th St & Thomas Rd..... 14:03		29 / West / 199 / 20165532	56th St & Thomas Rd..... 21:47
44th St & Thomas Rd..... 14:18		Pima Park..... 18:55	West Transit Facility..... 22:22
56th St & Thomas Rd..... 14:25		Scottsdale Rd & Thomas Rd.... 19:00	
Scottsdale Rd & Thomas Rd.... 14:31		56th St & Thomas Rd..... 19:06	
Pima Park..... 14:38		44th St & Thomas Rd..... 19:13	
		24th St & Thomas Rd..... 19:28	
29 / West / 199 / 20165524		Central Ave & Thomas Rd..... 19:40	
Pima Park..... 14:51		19th Ave & Thomas Rd..... 19:46	
Scottsdale Rd & Thomas Rd.... 14:56		35th Ave & Thomas Rd..... 19:54	
56th St & Thomas Rd..... 15:02		51st Ave & Thomas Rd..... 20:00	
44th St & Thomas Rd..... 15:11		67th Ave & Thomas Rd..... 20:06	
24th St & Thomas Rd..... 15:25		Desert Sky TC..... 20:14	
Central Ave & Thomas Rd..... 15:40		Desert Sky TC..... 20:17	
19th Ave & Thomas Rd..... 15:47		93rd Ave & Thomas Rd..... 20:23	
35th Ave & Thomas Rd..... 15:56			
51st Ave & Thomas Rd..... 16:03			
67th Ave & Thomas Rd..... 16:10			
Desert Sky TC..... 16:20			
Desert Sky TC..... 16:23			
93rd Ave & Thomas Rd..... 16:29			

Phoenix West

Effective: 01/22/2024

2086
Sunday

Duty Type	Block	Report Time	Start Place	Start Time	End Time	End Place	Clear Time	Paid Time	Seat Time
TRP	CAR	12:40	WEST	12:45	12:55	75LB			
	2039		75LB	12:55	17:15	75LB			
	CAR		75LB	17:15	17:25	WEST	17:25	4h45	3h43

Sign-on	12:40	Deadhead	Deadhead
Travel by	CAR	67th Ave & Union Hills Dr.....	75th Ave & Camelback Rd.....
		14:16	16:25
		67th Ave & Union Hills Dr.....	67th Ave & Camelback Rd.....
		14:21	16:28
Car Pull		67 / South / 254 / 20165225	67 / South / 254 / 20165902
West Transit Facility.....	12:45	67th Ave & Union Hills Dr.....	67th Ave & Camelback Rd.....
75th Ave & Lower Buckeye Rd	12:55	67th Ave & Thunderbird Rd.....	67th Ave & Thomas Rd.....
		14:50	16:53
		67th Ave & Olive Ave.....	67th Ave & Van Buren St.....
		14:59	17:01
Block	2039	67th Ave & Glendale Ave.....	Sierra Linda HS-South.....
		15:06	17:10
		67th Ave & Camelback Rd.....	
		15:15	
Deadhead		67th Ave & Thomas Rd.....	Deadhead
75th Ave & Lower Buckeye Rd	13:09	67th Ave & Van Buren St.....	Sierra Linda HS-South.....
Sierra Linda HS-North.....	13:14	Sierra Linda HS-South.....	75th Ave & Lower Buckeye Rd
		15:42	17:15
67 / North / 108 / 20165209		Deadhead	Travel by
Sierra Linda HS-North.....	13:14	Sierra Linda HS-South.....	CAR
67th Ave & Van Buren St.....	13:23	75th Ave & Lower Buckeye Rd	
67th Ave & Thomas Rd.....	13:32	15:47	Car Pull
67th Ave & Camelback Rd.....	13:40		75th Ave & Lower Buckeye Rd
67th Ave & Glendale Ave.....	13:50	75 / North / 147 / 20165908	West Transit Facility.....
67th Ave & Olive Ave.....	13:56	75th Ave & Lower Buckeye Rd	17:15
67th Ave & Thunderbird Rd.....	14:06	75th Ave & Van Buren St.....	17:25
67th Ave & Union Hills Dr.....	14:16	Desert Sky TC.....	75 / North / 147 / 20165441
		16:14	75th Ave & Lower Buckeye Rd
		75th Ave & Camelback Rd.....	75th Ave & Van Buren St.....
		16:25	17:30
			Desert Sky TC.....
			17:44
			75th Ave & Camelback Rd.....
			17:55

Phoenix West

Effective: 01/22/2024

2087
Sunday

Duty Type	Block	Report Time	Start Place	Start Time	End Time	End Place	Clear Time	Paid Time	Seat Time
ST	CAR 2053	13:04	WEST 51HD	13:09 13:20	13:20 21:33	51HD WEST	21:33	8h29	6h26

Sign-on	13:04	Deadhead	Deadhead
Travel by	CAR	59th Ave & Buckeye Rd..... 16:16	59th Ave & Buckeye Rd..... 19:15
Car Pull		Deadhead	Deadhead
West Transit Facility..... 13:09		51st Ave & Hadley St..... 16:49	51st Ave & Hadley St..... 19:52
51st Ave & Hadley St..... 13:20		59th Ave & Buckeye Rd..... 16:53	59th Ave & Buckeye Rd..... 19:56
Block	2053	59 / North / 830 / 20165320	59 / North / 830 / 20165321
Deadhead		59th Ave & Buckeye Rd..... 16:53	59th Ave & Buckeye Rd..... 19:56
51st Ave & Hadley St..... 13:49		59th Ave & Van Buren St..... 16:55	59th Ave & Van Buren St..... 19:58
59th Ave & Buckeye Rd..... 13:53		59th Ave & Thomas Rd..... 17:04	59th Ave & Thomas Rd..... 20:06
		59th Ave & Camelback Rd..... 17:13	59th Ave & Camelback Rd..... 20:13
		59th Ave & Glendale Ave..... 17:22	59th Ave & Glendale Ave..... 20:22
59 / North / 830 / 20165294		59th Ave & Olive Ave..... 17:32	59th Ave & Olive Ave..... 20:30
59th Ave & Buckeye Rd..... 13:53		59th Ave & Thunderbird Rd..... 17:44	59th Ave & Thunderbird Rd..... 20:41
59th Ave & Van Buren St..... 13:55		59th Ave & Bell Rd..... 17:51	59th Ave & Bell Rd..... 20:48
59th Ave & Thomas Rd..... 14:04		59th Ave & Beardsley Rd..... 17:58	59th Ave & Beardsley Rd..... 20:55
59th Ave & Camelback Rd..... 14:13			
59th Ave & Glendale Ave..... 14:23		59 / South / 220 / 20165319	Pull In
59th Ave & Olive Ave..... 14:33		59th Ave & Beardsley Rd..... 18:13	59th Ave & Beardsley Rd..... 20:55
59th Ave & Thunderbird Rd..... 14:45		59th Ave & Bell Rd..... 18:19	West Transit Facility..... 21:33
59th Ave & Bell Rd..... 14:52		59th Ave & Thunderbird Rd..... 18:26	
59th Ave & Beardsley Rd..... 15:01		59th Ave & Olive Ave..... 18:38	
		59th Ave & Glendale Ave..... 18:48	
59 / South / 220 / 20165308		59th Ave & Camelback Rd..... 18:57	
59th Ave & Beardsley Rd..... 15:13		59th Ave & Thomas Rd..... 19:04	
59th Ave & Bell Rd..... 15:19		59th Ave & Van Buren St..... 19:12	
59th Ave & Thunderbird Rd..... 15:26		59th Ave & Buckeye Rd..... 19:15	
59th Ave & Olive Ave..... 15:38			
59th Ave & Glendale Ave..... 15:48			
59th Ave & Camelback Rd..... 15:57			
59th Ave & Thomas Rd..... 16:04			
59th Ave & Van Buren St..... 16:13			
59th Ave & Buckeye Rd..... 16:16			

Phoenix West

Effective: 01/22/2024

2088
Sunday

Duty Type	Block	Report Time	Start Place	Start Time	End Time	End Place	Clear Time	Paid Time	Seat Time
ST	CAR 2031	13:06	WEST 44MC	13:11 13:41	13:41 23:33	44MC WEST	23:33	10h27	8h16

Sign-on	13:06	Deadhead	Deadhead
Travel by	CAR	99th Ave & McDowell Rd..... 16:05	99th Ave & McDowell Rd..... 20:04
Car Pull		17 / East / 132 / 20165334	17 / East / 255 / 20165703
West Transit Facility..... 13:11		99th Ave & McDowell Rd..... 16:24	99th Ave & McDowell Rd..... 20:39
44th St & McDowell Rd..... 13:41		83rd Ave & McDowell Rd..... 16:32	83rd Ave & McDowell Rd..... 20:45
		67th Ave & McDowell Rd..... 16:39	67th Ave & McDowell Rd..... 20:51
Block	2031	43rd Ave & McDowell Rd..... 16:52	43rd Ave & McDowell Rd..... 21:00
		19th Ave & McDowell Rd..... 17:07	19th Ave & McDowell Rd..... 21:11
17 / East / 132 / 20165333		Central Ave & McDowell Rd..... 17:17	Central Ave & McDowell Rd..... 21:17
44th St & McDowell Rd..... 13:41		24th St & McDowell Rd..... 17:29	24th St & McDowell Rd..... 21:27
52nd St & McDowell Rd..... 13:44		44th St & McDowell Rd..... 17:41	44th St & McDowell Rd..... 21:36
Scottsdale Rd & McDowell Rd.... 13:52		52nd St & McDowell Rd..... 17:44	52nd St & McDowell Rd..... 21:39
Pima Rd & McDowell Rd..... 14:00		Scottsdale Rd & McDowell Rd.... 17:52	
		Pima Rd & McDowell Rd..... 18:00	
Deadhead		Deadhead	Deadhead
Pima Rd & McDowell Rd..... 14:00		Pima Rd & McDowell Rd..... 18:00	52nd St & McDowell Rd..... 21:39
Pima Rd & McDowell Rd..... 14:07		Pima Rd & McDowell Rd..... 18:07	52nd St & McDowell Rd..... 21:44
17 / West / 253 / 20165376		17 / West / 253 / 20165380	17 / West / 253 / 20165934
Pima Rd & McDowell Rd..... 14:32		Pima Rd & McDowell Rd..... 18:32	52nd St & McDowell Rd..... 22:20
Scottsdale Rd & McDowell Rd.... 14:39		Scottsdale Rd & McDowell Rd.... 18:39	44th St & McDowell Rd..... 22:23
52nd St & McDowell Rd..... 14:46		52nd St & McDowell Rd..... 18:46	24th St & McDowell Rd..... 22:33
44th St & McDowell Rd..... 14:49		44th St & McDowell Rd..... 18:49	Central Ave & McDowell Rd..... 22:43
24th St & McDowell Rd..... 15:01		44th St & McDowell Rd..... 19:01	19th Ave & McDowell Rd..... 22:48
Central Ave & McDowell Rd..... 15:13		24th St & McDowell Rd..... 19:01	43rd Ave & McDowell Rd..... 23:00
19th Ave & McDowell Rd..... 15:21		Central Ave & McDowell Rd..... 19:13	67th Ave & McDowell Rd..... 23:09
43rd Ave & McDowell Rd..... 15:36		19th Ave & McDowell Rd..... 19:21	83rd Ave & McDowell Rd..... 23:16
67th Ave & McDowell Rd..... 15:50		43rd Ave & McDowell Rd..... 19:36	99th Ave & McDowell Rd..... 23:23
83rd Ave & McDowell Rd..... 15:57		67th Ave & McDowell Rd..... 19:50	
99th Ave & McDowell Rd..... 16:05		83rd Ave & McDowell Rd..... 19:57	Pull In
		99th Ave & McDowell Rd..... 20:04	99th Ave & McDowell Rd..... 23:23
			West Transit Facility..... 23:33

Phoenix West

Effective: 01/22/2024

2089
Sunday

Duty Type	Block	Report Time	Start Place	Start Time	End Time	End Place	Clear Time	Paid Time	Seat Time
ST	CAR 2058	13:10	WEST 59IN	13:15 13:36	13:36 23:39	59IN WEST	23:39	10h29	8h37

Sign-on	13:10	Deadhead	41 / West / 724 / 20165590
Travel by	CAR	107th Ave & Indian School Rd. 17:06	Granite Reef Rd & Indian Sch 19:58
Car Pull		107th Ave & Indian School Rd. 17:12	Scottsdale Rd & Indian School 20:03
West Transit Facility..... 13:15		-----	56th St & Indian School Rd..... 20:10
59th Ave & Indian School Rd... 13:36		41 / East / 172 / 20165548	44th St & Indian School Rd..... 20:14
		107th Ave & Indian School Rd. 17:48	32nd St & Indian School Rd..... 20:19
		83rd Ave & Indian School Rd..... 17:57	24th St & Indian School Rd..... 20:24
		59th Ave & Indian School Rd..... 18:08	Central Ave & Indian School Rd. 20:35
Block	2058	43rd Ave & Indian School Rd..... 18:17	Central Ave & Indian School Rd. 20:39
		19th Ave & Indian School Rd..... 18:31	19th Ave & Indian School Rd..... 20:46
41 / East / 172 / 20165559		Central Ave & Indian School Rd. 18:40	43rd Ave & Indian School Rd..... 21:01
59th Ave & Indian School Rd... 13:36		Central Ave & Indian School Rd. 18:44	59th Ave & Indian School Rd..... 21:08
43rd Ave & Indian School Rd..... 13:45		24th St & Indian School Rd..... 18:58	83rd Ave & Indian School Rd..... 21:17
19th Ave & Indian School Rd..... 14:01		32nd St & Indian School Rd..... 19:02	107th Ave & Indian School Rd. 21:27
Central Ave & Indian School Rd. 14:10		44th St & Indian School Rd..... 19:09	-----
Central Ave & Indian School Rd. 14:14		56th St & Indian School Rd..... 19:12	Deadhead
24th St & Indian School Rd..... 14:28		Scottsdale Rd & Indian School 19:19	107th Ave & Indian School Rd. 21:27
32nd St & Indian School Rd..... 14:32		Granite Reef Rd & Indian Sch 19:27	107th Ave & Indian School Rd. 21:33
44th St & Indian School Rd..... 14:39		-----	-----
56th St & Indian School Rd..... 14:42		Deadhead	41 / East / 267 / 20165714
Scottsdale Rd & Indian School 14:49		Granite Reef Rd & Indian Sch 19:27	107th Ave & Indian School Rd. 22:00
Granite Reef Rd & Indian Sch 14:57		Pima Rd & Chaparral Rd..... 19:31	83rd Ave & Indian School Rd..... 22:08
-----		-----	59th Ave & Indian School Rd..... 22:18
Deadhead		Deadhead	43rd Ave & Indian School Rd..... 22:25
Granite Reef Rd & Indian Sch 14:57		Pima Rd & Chaparral Rd..... 19:54	19th Ave & Indian School Rd..... 22:36
Pima Rd & Chaparral Rd..... 15:01		Granite Reef Rd & Indian Sch 19:58	Central Ave & Indian School Rd. 22:40
-----		-----	Central Ave & Indian School Rd. 22:44
Deadhead			24th St & Indian School Rd..... 22:54
Pima Rd & Chaparral Rd..... 15:22			32nd St & Indian School Rd..... 22:57
Granite Reef Rd & Indian Sch 15:26			44th St & Indian School Rd..... 23:01
-----			56th St & Indian School Rd..... 23:04
41 / West / 724 / 20165586			-----
Granite Reef Rd & Indian Sch 15:26			Pull In
Scottsdale Rd & Indian School 15:31			56th St & Indian School Rd..... 23:04
56th St & Indian School Rd..... 15:38			West Transit Facility..... 23:39
44th St & Indian School Rd..... 15:42			-----
32nd St & Indian School Rd..... 15:48			
24th St & Indian School Rd..... 15:53			
Central Ave & Indian School Rd. 16:05			
Central Ave & Indian School Rd. 16:09			
19th Ave & Indian School Rd..... 16:17			
43rd Ave & Indian School Rd..... 16:33			
59th Ave & Indian School Rd..... 16:42			
83rd Ave & Indian School Rd..... 16:54			
107th Ave & Indian School Rd. 17:06			

Phoenix West

Effective: 01/22/2024

2090
Sunday

Duty Type	Block	Report Time	Start Place	Start Time	End Time	End Place	Clear Time	Paid Time	Seat Time
ST	CAR 2020	13:17	WEST 75LB	13:22 13:32	13:32 23:27	75LB WEST	23:27	10h10	6h30

Sign-on	13:17	Deadhead				Deadhead			
Travel by	CAR	75th Ave & Lower Buckeye Rd		16:40	67th Ave & Camelback Rd.....			20:10	
		Sierra Linda HS-North.....		16:45	59th Ave & Camelback Rd.....			20:13	
Car Pull		67 / North / 250 / 20165825			59 / South / 220 / 20165796				
West Transit Facility.....	13:22	Sierra Linda HS-North.....		16:45	59th Ave & Camelback Rd.....			20:27	
75th Ave & Lower Buckeye Rd	13:32	67th Ave & Van Buren St.....		16:54	59th Ave & Thomas Rd.....			20:34	
		67th Ave & Thomas Rd.....		17:03	59th Ave & Van Buren St.....			20:42	
Block	2020	67th Ave & Camelback Rd.....		17:10	59th Ave & Buckeye Rd.....			20:45	
Deadhead		Deadhead			Deadhead				
75th Ave & Lower Buckeye Rd	13:40	67th Ave & Camelback Rd.....		17:10	59th Ave & Buckeye Rd.....			20:45	
Sierra Linda HS-North.....	13:45	59th Ave & Camelback Rd.....		17:13	51st Ave & Hadley St.....			20:49	
67 / North / 250 / 20165832		59 / South / 220 / 20165794			Deadhead				
Sierra Linda HS-North.....	13:45	59th Ave & Camelback Rd.....		17:27	51st Ave & Hadley St.....			21:24	
67th Ave & Van Buren St.....	13:54	59th Ave & Thomas Rd.....		17:34	59th Ave & Buckeye Rd.....			21:28	
67th Ave & Thomas Rd.....	14:03	59th Ave & Van Buren St.....		17:43					
67th Ave & Camelback Rd.....	14:10	59th Ave & Buckeye Rd.....		17:46	59 / North / 266 / 20165817				
Deadhead		Deadhead			59th Ave & Buckeye Rd.....			21:28	
67th Ave & Camelback Rd.....	14:10	59th Ave & Buckeye Rd.....		17:46	59th Ave & Van Buren St.....			21:30	
59th Ave & Camelback Rd.....	14:13	51st Ave & Hadley St.....		17:50	59th Ave & Thomas Rd.....			21:36	
59 / South / 220 / 20165793		Deadhead			59th Ave & Camelback Rd.....			21:43	
59th Ave & Camelback Rd.....	14:27	51st Ave & Hadley St.....		18:19	59th Ave & Camelback Rd.....			21:47	
59th Ave & Thomas Rd.....	14:34	59th Ave & Buckeye Rd.....		18:23					
59th Ave & Van Buren St.....	14:43	59 / North / 266 / 20165815			59 / South / 220 / 20165963				
59th Ave & Buckeye Rd.....	14:46	59th Ave & Buckeye Rd.....		18:23	59th Ave & Camelback Rd.....			21:57	
Deadhead		59th Ave & Van Buren St.....		18:25	59th Ave & Thomas Rd.....			22:04	
59th Ave & Buckeye Rd.....	14:46	59th Ave & Thomas Rd.....		18:34	59th Ave & Van Buren St.....			22:12	
51st Ave & Hadley St.....	14:50	59th Ave & Camelback Rd.....		18:43	59th Ave & Buckeye Rd.....			22:15	
Deadhead		Deadhead			Deadhead				
51st Ave & Hadley St.....	15:19	59th Ave & Camelback Rd.....		18:43	59th Ave & Buckeye Rd.....			22:15	
59th Ave & Buckeye Rd.....	15:23	75th Ave & Camelback Rd.....		18:52	51st Ave & Hadley St.....			22:19	
59 / North / 266 / 20165813		75 / South / 149 / 20165862			Deadhead				
59th Ave & Buckeye Rd.....	15:23	75th Ave & Camelback Rd.....		19:00	51st Ave & Hadley St.....			22:24	
59th Ave & Van Buren St.....	15:25	Desert Sky TC.....		19:09	59th Ave & Buckeye Rd.....			22:28	
59th Ave & Thomas Rd.....	15:34	75th Ave & Van Buren St.....		19:22					
59th Ave & Camelback Rd.....	15:43	75th Ave & Lower Buckeye Rd		19:26	59 / North / 266 / 20165959				
Deadhead		Deadhead			59th Ave & Buckeye Rd.....			22:28	
59th Ave & Camelback Rd.....	15:43	75th Ave & Lower Buckeye Rd		19:43	59th Ave & Van Buren St.....			22:30	
75th Ave & Camelback Rd.....	15:52	Sierra Linda HS-North.....		19:48	59th Ave & Thomas Rd.....			22:36	
75 / South / 149 / 20165868		67 / North / 250 / 20165834			59th Ave & Camelback Rd.....			22:43	
75th Ave & Camelback Rd.....	16:00	Sierra Linda HS-North.....		19:48	59th Ave & Camelback Rd.....			22:47	
Desert Sky TC.....	16:09	67th Ave & Van Buren St.....		19:55					
75th Ave & Van Buren St.....	16:22	67th Ave & Thomas Rd.....		20:03					
75th Ave & Lower Buckeye Rd	16:26	67th Ave & Camelback Rd.....		20:10					

59 / South / 220 / 20165962

59th Ave & Camelback Rd.....	22:57
59th Ave & Thomas Rd.....	23:04
59th Ave & Van Buren St.....	23:12
59th Ave & Buckeye Rd.....	23:15

Pull In

59th Ave & Buckeye Rd.....	23:15
West Transit Facility.....	23:27

Phoenix West

Effective: 01/22/2024

2091
Sunday

Duty Type	Block	Report Time	Start Place	Start Time	End Time	End Place	Clear Time	Paid Time	Seat Time
ST	CAR 2051	13:17	WEST 67VB	13:22 13:32	13:32 22:26	67VB WEST	22:26	9h09	6h31

Sign-on	13:17	Deadhead				Deadhead			
		75th Ave & Camelback Rd.....		15:55		83rd Ave & Camelback Rd.....		19:20	
Travel by	CAR	83rd Ave & Camelback Rd.....		15:58		75th Ave & Camelback Rd.....		19:23	
Car Pull		83 / South / 155 / 20165455				75 / South / 149 / 20165423			
West Transit Facility.....	13:22	83rd Ave & Camelback Rd.....		16:03		75th Ave & Camelback Rd.....		19:30	
67th Ave & Van Buren St.....	13:32	Desert Sky TC.....		16:11		Desert Sky TC.....		19:39	
		83rd Ave & Van Buren St.....		16:21		75th Ave & Van Buren St.....		19:51	
Block	2051					75th Ave & Lower Buckeye Rd		19:55	
		Deadhead				Deadhead			
67 / South / 254 / 20165223		83rd Ave & Van Buren St.....		16:21		75th Ave & Lower Buckeye Rd		20:13	
67th Ave & Van Buren St.....	13:32	83rd Ave & Van Buren St.....		16:25		Sierra Linda HS-North.....		20:18	
Sierra Linda HS-South.....	13:41								
		83 / North / 183 / 20165846				67 / North / 250 / 20165216			
Deadhead		83rd Ave & Van Buren St.....		16:33		Sierra Linda HS-North.....		20:18	
Sierra Linda HS-South.....	13:41	Desert Sky TC.....		16:42		67th Ave & Van Buren St.....		20:25	
75th Ave & Lower Buckeye Rd	13:46	83rd Ave & Camelback Rd.....		16:51		67th Ave & Thomas Rd.....		20:33	
		83rd Ave & Glendale Ave.....		16:56		67th Ave & Camelback Rd.....		20:40	
75 / North / 147 / 20165913		83rd Ave & Peoria Ave.....		17:08					
75th Ave & Lower Buckeye Rd	13:55	83rd Ave & Thunderbird Rd.....		17:14					
75th Ave & Van Buren St.....	14:01	Arrowhead Mall North.....		17:25		Deadhead			
Desert Sky TC.....	14:13	Arrowhead Mall North.....		17:25		67th Ave & Camelback Rd.....		20:40	
75th Ave & Camelback Rd.....	14:23					75th Ave & Camelback Rd.....		20:43	
		Deadhead							
Deadhead		Arrowhead Mall North.....		17:25		75 / South / 149 / 20165864			
75th Ave & Camelback Rd.....	14:23	Arrowhead Mall Layover.....		17:27		75th Ave & Camelback Rd.....		21:00	
67th Ave & Camelback Rd.....	14:26					Desert Sky TC.....		21:08	
		Deadhead				75th Ave & Van Buren St.....		21:19	
67 / South / 254 / 20165900		Arrowhead Mall Layover.....		17:59		75th Ave & Lower Buckeye Rd		21:23	
67th Ave & Camelback Rd.....	14:45	Arrowhead Mall North.....		18:01					
67th Ave & Thomas Rd.....	14:53	83 / South / 155 / 20165874				Deadhead			
67th Ave & Van Buren St.....	15:03	83rd Ave & Thunderbird Rd.....		18:12		75th Ave & Lower Buckeye Rd		21:46	
Sierra Linda HS-South.....	15:12	83rd Ave & Peoria Ave.....		18:18		Sierra Linda HS-North.....		21:51	
		83rd Ave & Glendale Ave.....		18:30					
Deadhead		83rd Ave & Camelback Rd.....		18:35		67 / North / 250 / 20165828			
Sierra Linda HS-South.....	15:12	Desert Sky TC.....		18:41		Sierra Linda HS-North.....		21:51	
75th Ave & Lower Buckeye Rd	15:17	83rd Ave & Van Buren St.....		18:51		67th Ave & Van Buren St.....		21:57	
						67th Ave & Thomas Rd.....		22:04	
75 / North / 147 / 20165438						67th Ave & Camelback Rd.....		22:10	
75th Ave & Lower Buckeye Rd	15:25	Deadhead							
75th Ave & Van Buren St.....	15:30	83rd Ave & Van Buren St.....		18:51		Pull In			
Desert Sky TC.....	15:44	83rd Ave & Van Buren St.....		18:55		67th Ave & Camelback Rd.....		22:10	
75th Ave & Camelback Rd.....	15:55					West Transit Facility.....		22:26	
		83 / North / 153 / 20165475							
		83rd Ave & Van Buren St.....		19:02					
		Desert Sky TC.....		19:12					
		83rd Ave & Camelback Rd.....		19:20					

Phoenix West

Effective: 01/22/2024

2092
Sunday

Duty Type	Block	Report Time	Start Place	Start Time	End Time	End Place	Clear Time	Paid Time	Seat Time
ST	CAR 2052	13:23	WEST DSTC	13:28 13:42	13:42 23:31	DSTC WEST	23:31	10h08	7h24

Sign-on	13:23	75 / South / 149 / 20165425	67 / South / 254 / 20165905
Travel by	CAR	75th Ave & Camelback Rd..... 16:30	67th Ave & Camelback Rd..... 20:45
Car Pull		Desert Sky TC..... 16:39	67th Ave & Thomas Rd..... 20:52
West Transit Facility..... 13:28		75th Ave & Van Buren St..... 16:52	67th Ave & Van Buren St..... 21:00
Desert Sky TC..... 13:42		75th Ave & Lower Buckeye Rd 16:56	Sierra Linda HS-South..... 21:07
Block	2052	Deadhead	Deadhead
		75th Ave & Lower Buckeye Rd 17:12	Sierra Linda HS-South..... 21:07
		Sierra Linda HS-North..... 17:17	75th Ave & Lower Buckeye Rd 21:12
83 / North / 183 / 20165855		67 / North / 108 / 20165213	75 / North / 147 / 20165444
Desert Sky TC..... 13:42		Sierra Linda HS-North..... 17:17	75th Ave & Lower Buckeye Rd 21:25
83rd Ave & Camelback Rd..... 13:52		67th Ave & Van Buren St..... 17:24	75th Ave & Van Buren St..... 21:29
83rd Ave & Glendale Ave..... 13:57		67th Ave & Thomas Rd..... 17:33	Desert Sky TC..... 21:38
83rd Ave & Peoria Ave..... 14:09		67th Ave & Camelback Rd..... 17:40	75th Ave & Camelback Rd..... 21:46
83rd Ave & Thunderbird Rd..... 14:15		67th Ave & Glendale Ave..... 17:49	
Arrowhead Mall North..... 14:26		67th Ave & Olive Ave..... 17:55	Deadhead
		67th Ave & Thunderbird Rd..... 18:04	75th Ave & Camelback Rd..... 21:46
Deadhead		67th Ave & Union Hills Dr..... 18:14	83rd Ave & Camelback Rd..... 21:49
Arrowhead Mall North..... 14:26		Deadhead	
Arrowhead Mall Layover..... 14:28		67th Ave & Union Hills Dr..... 18:14	83 / South / 155 / 20165974
		67th Ave & Union Hills Dr..... 18:19	83rd Ave & Camelback Rd..... 22:05
Deadhead			Desert Sky TC..... 22:11
Arrowhead Mall Layover..... 14:56			83rd Ave & Van Buren St..... 22:19
Arrowhead Mall North..... 14:58		67 / South / 254 / 20165229	
		67th Ave & Union Hills Dr..... 18:39	Deadhead
83 / South / 155 / 20165873		67th Ave & Thunderbird Rd..... 18:50	83rd Ave & Van Buren St..... 22:19
Arrowhead Mall North..... 14:58		67th Ave & Olive Ave..... 18:59	83rd Ave & Van Buren St..... 22:23
83rd Ave & Thunderbird Rd..... 15:09		67th Ave & Glendale Ave..... 19:06	
83rd Ave & Peoria Ave..... 15:15		67th Ave & Camelback Rd..... 19:15	83 / North / 153 / 20165972
83rd Ave & Glendale Ave..... 15:28		67th Ave & Thomas Rd..... 19:22	83rd Ave & Van Buren St..... 22:35
83rd Ave & Camelback Rd..... 15:33		67th Ave & Van Buren St..... 19:30	Desert Sky TC..... 22:42
Desert Sky TC..... 15:41		Sierra Linda HS-South..... 19:38	83rd Ave & Camelback Rd..... 22:50
83rd Ave & Van Buren St..... 15:51		Deadhead	Deadhead
		Sierra Linda HS-South..... 19:38	83rd Ave & Camelback Rd..... 22:50
Deadhead		75th Ave & Lower Buckeye Rd 19:43	75th Ave & Camelback Rd..... 22:53
83rd Ave & Van Buren St..... 15:51			
83rd Ave & Van Buren St..... 15:55		75 / North / 147 / 20165924	75 / South / 149 / 20165980
		75th Ave & Lower Buckeye Rd 19:55	75th Ave & Camelback Rd..... 23:00
83 / North / 153 / 20165471		75th Ave & Van Buren St..... 20:00	Desert Sky TC..... 23:08
83rd Ave & Van Buren St..... 16:03		Desert Sky TC..... 20:11	75th Ave & Van Buren St..... 23:17
Desert Sky TC..... 16:12		75th Ave & Camelback Rd..... 20:21	75th Ave & Lower Buckeye Rd 23:21
83rd Ave & Camelback Rd..... 16:21			
Deadhead		Deadhead	Pull In
83rd Ave & Camelback Rd..... 16:21		75th Ave & Camelback Rd..... 20:21	75th Ave & Lower Buckeye Rd 23:21
75th Ave & Camelback Rd..... 16:24		67th Ave & Camelback Rd..... 20:24	West Transit Facility..... 23:31

Phoenix West

Effective: 01/22/2024

2093
Sunday

Duty Type	Block	Report Time	Start Place	Start Time	End Time	End Place	Clear Time	Paid Time	Seat Time
ST	CAR 2042	13:20	WEST 67TH	13:25 13:43	13:43 24:05	67TH WEST	24:05	10h45	9h05

Sign-on	13:20	Deadhead	Deadhead
Travel by	CAR	93rd Ave & Thomas Rd..... 16:59	94th Av Layover..... 21:08
Car Pull		94th Av Layover..... 17:00	93rd Ave & Thomas Rd..... 21:09
West Transit Facility..... 13:25		Deadhead	29 / East / 257 / 20165720
67th Ave & Thomas Rd..... 13:43		94th Av Layover..... 17:30	93rd Ave & Thomas Rd..... 21:09
		93rd Ave & Thomas Rd..... 17:31	Thomas Rd at Desert Sky TC.... 21:14
Block	2042	29 / East / 31 / 20165500	67th Ave & Thomas Rd..... 21:20
		93rd Ave & Thomas Rd..... 17:31	51st Ave & Thomas Rd..... 21:28
29 / East / 31 / 20165501		Thomas Rd at Desert Sky TC.... 17:37	35th Ave & Thomas Rd..... 21:35
67th Ave & Thomas Rd..... 13:43		67th Ave & Thomas Rd..... 17:44	19th Ave & Thomas Rd..... 21:43
51st Ave & Thomas Rd..... 13:53		51st Ave & Thomas Rd..... 17:54	Central Ave & Thomas Rd..... 21:50
35th Ave & Thomas Rd..... 14:02		35th Ave & Thomas Rd..... 18:03	24th St & Thomas Rd..... 22:01
19th Ave & Thomas Rd..... 14:12		19th Ave & Thomas Rd..... 18:12	44th St & Thomas Rd..... 22:11
Central Ave & Thomas Rd..... 14:20		Central Ave & Thomas Rd..... 18:20	56th St & Thomas Rd..... 22:17
24th St & Thomas Rd..... 14:33		24th St & Thomas Rd..... 18:33	Deadhead
44th St & Thomas Rd..... 14:48		44th St & Thomas Rd..... 18:45	56th St & Thomas Rd..... 22:17
56th St & Thomas Rd..... 14:55		56th St & Thomas Rd..... 18:52	56th St & Thomas Rd..... 22:25
Scottsdale Rd & Thomas Rd..... 15:01		Scottsdale Rd & Thomas Rd..... 18:58	
Pima Park..... 15:08		Pima Park..... 19:05	29 / West / 199 / 20165941
			56th St & Thomas Rd..... 22:39
29 / West / 199 / 20165525		29 / West / 199 / 20165535	44th St & Thomas Rd..... 22:46
Pima Park..... 15:21		Pima Park..... 19:28	24th St & Thomas Rd..... 22:58
Scottsdale Rd & Thomas Rd..... 15:26		Scottsdale Rd & Thomas Rd..... 19:33	Central Ave & Thomas Rd..... 23:10
56th St & Thomas Rd..... 15:32		56th St & Thomas Rd..... 19:39	19th Ave & Thomas Rd..... 23:16
44th St & Thomas Rd..... 15:41		44th St & Thomas Rd..... 19:46	35th Ave & Thomas Rd..... 23:24
24th St & Thomas Rd..... 15:55		24th St & Thomas Rd..... 19:58	51st Ave & Thomas Rd..... 23:30
Central Ave & Thomas Rd..... 16:10		Central Ave & Thomas Rd..... 20:10	67th Ave & Thomas Rd..... 23:36
19th Ave & Thomas Rd..... 16:17		19th Ave & Thomas Rd..... 20:16	Desert Sky TC..... 23:44
35th Ave & Thomas Rd..... 16:26		35th Ave & Thomas Rd..... 20:24	Desert Sky TC..... 23:47
51st Ave & Thomas Rd..... 16:33		51st Ave & Thomas Rd..... 20:30	93rd Ave & Thomas Rd..... 23:52
67th Ave & Thomas Rd..... 16:40		67th Ave & Thomas Rd..... 20:36	
Desert Sky TC..... 16:50		Desert Sky TC..... 20:44	Pull In
Desert Sky TC..... 16:53		Desert Sky TC..... 20:47	93rd Ave & Thomas Rd..... 23:52
93rd Ave & Thomas Rd..... 16:59		93rd Ave & Thomas Rd..... 20:52	West Transit Facility..... 24:05
		Deadhead	
		93rd Ave & Thomas Rd..... 20:52	
		94th Av Layover..... 20:53	

Phoenix West

Effective: 01/22/2024

2094
Sunday

Duty Type	Block	Report Time	Start Place	Start Time	End Time	End Place	Clear Time	Paid Time	Seat Time
ST	CAR 2026	13:24	WEST PHZO	13:29 14:06	14:06 23:37	PHZO WEST	23:37	10h13	8h22

Sign-on	13:24	3 / West / 104 / 20165644	3 / West / 104 / 20165652
		Phoenix Zoo.....	Galvin Pkwy & Van Buren St... 20:24
Travel by	CAR	Galvin Pkwy & Van Buren St.....	44th St & Van Buren St..... 20:30
		44th St & Van Buren St.....	24th St & Van Buren St..... 20:38
Car Pull		24th St & Van Buren St.....	2nd Ave & Van Buren St..... 20:50
West Transit Facility.....	13:29	2nd Ave & Van Buren St.....	19th Ave & Van Buren St..... 20:58
Phoenix Zoo.....	14:06	19th Ave & Van Buren St.....	35th Ave & Van Buren St..... 21:07
		35th Ave & Van Buren St.....	51st Ave & Van Buren St..... 21:16
Block	2026	51st Ave & Van Buren St.....	67th Ave & Van Buren St..... 21:23
		67th Ave & Van Buren St.....	83rd Ave & Van Buren St..... 21:31
		83rd Ave & Van Buren St.....	
3 / West / 104 / 20165641			Deadhead
Phoenix Zoo.....	14:21		83rd Ave & Van Buren St..... 21:31
Galvin Pkwy & Van Buren St.....	14:24	Deadhead	83rd Ave & Van Buren St..... 21:35
44th St & Van Buren St.....	14:30	83rd Ave & Van Buren St.....	
24th St & Van Buren St.....	14:38	83rd Ave & Van Buren St.....	
2nd Ave & Van Buren St.....	14:50		
19th Ave & Van Buren St.....	14:58	3 / East / 181 / 20165619	3 / East / 181 / 20165653
35th Ave & Van Buren St.....	15:07	83rd Ave & Van Buren St.....	83rd Ave & Van Buren St..... 21:55
51st Ave & Van Buren St.....	15:16	67th Ave & Van Buren St.....	67th Ave & Van Buren St..... 22:00
67th Ave & Van Buren St.....	15:23	67th Ave & Van Buren St.....	51st Ave & Van Buren St..... 22:09
83rd Ave & Van Buren St.....	15:31	51st Ave & Van Buren St.....	35th Ave & Van Buren St..... 22:18
		35th Ave & Van Buren St.....	19th Ave & Van Buren St..... 22:26
		19th Ave & Van Buren St.....	Central Ave & Van Buren St..... 22:35
Deadhead		Central Ave & Van Buren St.....	24th St & Van Buren St..... 22:46
83rd Ave & Van Buren St.....	15:31	24th St & Van Buren St.....	44th St & Van Buren St..... 22:55
83rd Ave & Van Buren St.....	15:35	44th St & Van Buren St.....	Galvin Pkwy & Van Buren St... 23:02
		Galvin Pkwy & Van Buren St...	
3 / East / 86 / 20165616			Pull In
83rd Ave & Van Buren St.....	15:55	Deadhead	Galvin Pkwy & Van Buren St... 23:02
67th Ave & Van Buren St.....	16:00	Galvin Pkwy & Van Buren St...	West Transit Facility..... 23:37
51st Ave & Van Buren St.....	16:09	Galvin Pkwy & Van Buren St...	
35th Ave & Van Buren St.....	16:18		
19th Ave & Van Buren St.....	16:26		
Central Ave & Van Buren St.....	16:35		
24th St & Van Buren St.....	16:46		
44th St & Van Buren St.....	16:55		
Galvin Pkwy & Van Buren St.....	17:02		
Phoenix Zoo.....	17:06		

Phoenix West

Effective: 01/22/2024

2095
Sunday

Duty Type	Block	Report Time	Start Place	Start Time	End Time	End Place	Clear Time	Paid Time	Seat Time
ST	CAR 2057	13:25	WEST 99MC	13:30 13:42	13:42 21:33	99MC WEST	21:33	8h08	6h45

Sign-on	13:25	17 / West / 253 / 20165364		Deadhead
		Pima Rd & McDowell Rd.....	16:02	Pima Rd & McDowell Rd..... 19:30
Travel by	CAR	Scottsdale Rd & McDowell Rd....	16:09	Pima Rd & McDowell Rd..... 19:37
		52nd St & McDowell Rd.....	16:16	-----
Car Pull		44th St & McDowell Rd.....	16:19	17 / West / 253 / 20165383
West Transit Facility.....	13:30	24th St & McDowell Rd.....	16:31	Pima Rd & McDowell Rd..... 20:06
99th Ave & McDowell Rd.....	13:42	Central Ave & McDowell Rd.....	16:43	Scottsdale Rd & McDowell Rd....
		19th Ave & McDowell Rd.....	16:51	52nd St & McDowell Rd.....
Block	2057	43rd Ave & McDowell Rd.....	17:06	44th St & McDowell Rd.....
		67th Ave & McDowell Rd.....	17:20	24th St & McDowell Rd.....
		83rd Ave & McDowell Rd.....	17:27	Central Ave & McDowell Rd.....
		99th Ave & McDowell Rd.....	17:35	19th Ave & McDowell Rd.....
		-----	-----	43rd Ave & McDowell Rd.....
		Deadhead		67th Ave & McDowell Rd.....
		99th Ave & McDowell Rd.....	17:35	83rd Ave & McDowell Rd.....
		99th Ave & McDowell Rd.....	17:42	99th Ave & McDowell Rd..... 21:23
		-----	-----	-----
		17 / East / 132 / 20165350		Pull In
99th Ave & McDowell Rd.....	13:54	99th Ave & McDowell Rd.....	17:54	99th Ave & McDowell Rd..... 21:23
83rd Ave & McDowell Rd.....	14:02	83rd Ave & McDowell Rd.....	18:02	West Transit Facility..... 21:33
67th Ave & McDowell Rd.....	14:09	67th Ave & McDowell Rd.....	18:09	-----
43rd Ave & McDowell Rd.....	14:22	43rd Ave & McDowell Rd.....	18:22	
19th Ave & McDowell Rd.....	14:37	19th Ave & McDowell Rd.....	18:37	
Central Ave & McDowell Rd.....	14:47	Central Ave & McDowell Rd.....	18:47	
24th St & McDowell Rd.....	14:59	24th St & McDowell Rd.....	18:59	
44th St & McDowell Rd.....	15:11	44th St & McDowell Rd.....	19:11	
52nd St & McDowell Rd.....	15:14	52nd St & McDowell Rd.....	19:14	
Scottsdale Rd & McDowell Rd....	15:22	Scottsdale Rd & McDowell Rd....	19:22	
Pima Rd & McDowell Rd.....	15:30	Pima Rd & McDowell Rd.....	19:30	
-----	-----	-----	-----	
Deadhead				
Pima Rd & McDowell Rd.....	15:30			
Pima Rd & McDowell Rd.....	15:37			
-----	-----			

Phoenix West

Effective: 01/22/2024

2098
Sunday

Duty Type	Block	Report Time	Start Place	Start Time	End Time	End Place	Clear Time	Paid Time	Seat Time
ST	CAR 2044	13:37	WEST 51HD	13:42 13:53	13:53 23:36	51HD WEST	23:36	9h59	6h11

Sign-on	13:37	Deadhead				Deadhead			
		51st Ave & Hadley St.....		17:19		59th Ave & Camelback Rd.....		20:43	
Travel by	CAR	59th Ave & Buckeye Rd.....		17:23		59th Ave & Camelback Rd.....		20:47	
Car Pull		59 / North / 266 / 20165814				59 / South / 220 / 20165797			
West Transit Facility.....	13:42	59th Ave & Buckeye Rd.....		17:23		59th Ave & Camelback Rd.....		21:27	
51st Ave & Hadley St.....	13:53	59th Ave & Van Buren St.....		17:25		59th Ave & Thomas Rd.....		21:34	
		59th Ave & Thomas Rd.....		17:34		59th Ave & Van Buren St.....		21:42	
Block	2044	59th Ave & Camelback Rd.....		17:43		59th Ave & Buckeye Rd.....		21:45	
Deadhead		Deadhead				Deadhead			
51st Ave & Hadley St.....	14:19	59th Ave & Camelback Rd.....		17:43		59th Ave & Buckeye Rd.....		21:45	
59th Ave & Buckeye Rd.....	14:23	75th Ave & Camelback Rd.....		17:52		51st Ave & Hadley St.....		21:49	
59 / North / 266 / 20165808		75 / South / 149 / 20165866				Deadhead			
59th Ave & Buckeye Rd.....	14:23	75th Ave & Camelback Rd.....		18:00		51st Ave & Hadley St.....		21:54	
59th Ave & Van Buren St.....	14:25	Desert Sky TC.....		18:09		59th Ave & Buckeye Rd.....		21:58	
59th Ave & Thomas Rd.....	14:34	75th Ave & Van Buren St.....		18:22					
59th Ave & Camelback Rd.....	14:43	75th Ave & Lower Buckeye Rd		18:26		59 / North / 266 / 20165818			
Deadhead		Deadhead				59th Ave & Buckeye Rd.....		21:58	
59th Ave & Camelback Rd.....	14:43	75th Ave & Lower Buckeye Rd		18:43		59th Ave & Van Buren St.....		22:00	
75th Ave & Camelback Rd.....	14:52	Sierra Linda HS-North.....		18:48		59th Ave & Thomas Rd.....		22:06	
75 / South / 149 / 20165869		67 / North / 250 / 20165841				59th Ave & Camelback Rd.....		22:13	
75th Ave & Camelback Rd.....	15:00	Sierra Linda HS-North.....		18:48		59th Ave & Camelback Rd.....		22:17	
Desert Sky TC.....	15:09	67th Ave & Van Buren St.....		18:55					
75th Ave & Van Buren St.....	15:22	67th Ave & Thomas Rd.....		19:03					
75th Ave & Lower Buckeye Rd	15:26	67th Ave & Camelback Rd.....		19:10		59 / South / 220 / 20165954			
Deadhead		Deadhead				59th Ave & Camelback Rd.....		22:27	
75th Ave & Lower Buckeye Rd	15:40	67th Ave & Camelback Rd.....		19:10		59th Ave & Thomas Rd.....		22:34	
Sierra Linda HS-North.....	15:45	59th Ave & Camelback Rd.....		19:13		59th Ave & Van Buren St.....		22:42	
67 / North / 250 / 20165827		59 / South / 220 / 20165799				59th Ave & Buckeye Rd.....		22:45	
Sierra Linda HS-North.....	15:45	59th Ave & Camelback Rd.....		19:27		59th Ave & Buckeye Rd.....		22:45	
67th Ave & Van Buren St.....	15:54	59th Ave & Thomas Rd.....		19:34		51st Ave & Hadley St.....		22:49	
67th Ave & Thomas Rd.....	16:03	59th Ave & Van Buren St.....		19:42					
67th Ave & Camelback Rd.....	16:10	59th Ave & Buckeye Rd.....		19:45		Deadhead			
Deadhead		Deadhead				51st Ave & Hadley St.....		22:54	
67th Ave & Camelback Rd.....	16:10	59th Ave & Buckeye Rd.....		19:45		59th Ave & Buckeye Rd.....		22:58	
59th Ave & Camelback Rd.....	16:13	51st Ave & Hadley St.....		19:49					
59 / South / 220 / 20165802		Deadhead				59 / North / 266 / 20165958			
59th Ave & Camelback Rd.....	16:27	51st Ave & Hadley St.....		20:22		59th Ave & Buckeye Rd.....		22:58	
59th Ave & Thomas Rd.....	16:34	59th Ave & Buckeye Rd.....		20:26		59th Ave & Van Buren St.....		23:00	
59th Ave & Van Buren St.....	16:43					59th Ave & Thomas Rd.....		23:06	
59th Ave & Buckeye Rd.....	16:46	59 / North / 266 / 20165816				59th Ave & Camelback Rd.....		23:13	
Deadhead		59th Ave & Buckeye Rd.....		20:26		Pull In			
59th Ave & Buckeye Rd.....	16:46	59th Ave & Van Buren St.....		20:28		59th Ave & Camelback Rd.....		23:13	
51st Ave & Hadley St.....	16:50	59th Ave & Thomas Rd.....		20:36		West Transit Facility.....		23:36	
		59th Ave & Camelback Rd.....		20:43					

Phoenix West

Effective: 01/22/2024

2099
Sunday

Duty Type	Block	Report Time	Start Place	Start Time	End Time	End Place	Clear Time	Paid Time	Seat Time
ST	CAR 2060	13:40	WEST 75LB	13:45 13:55	13:55 23:56	75LB WEST	23:56	10h16	7h24

Sign-on	13:40	Deadhead				Deadhead			
		75th Ave & Camelback Rd.....		17:25		Arrowhead Mall Layover.....		21:02	
Travel by	CAR	67th Ave & Camelback Rd.....		17:28		Arrowhead Mall North.....		21:04	
Car Pull		67 / South / 254 / 20165899				83 / South / 155 / 20165870			
West Transit Facility.....	13:45	67th Ave & Camelback Rd.....		17:45		Arrowhead Mall North.....		21:04	
75th Ave & Lower Buckeye Rd	13:55	67th Ave & Thomas Rd.....		17:53		83rd Ave & Thunderbird Rd.....		21:13	
		67th Ave & Van Buren St.....		18:01		83rd Ave & Peoria Ave.....		21:19	
Block	2060	Sierra Linda HS-South.....		18:10		83rd Ave & Glendale Ave.....		21:30	
						83rd Ave & Camelback Rd.....		21:35	
Deadhead		Deadhead				Desert Sky TC.....		21:41	
75th Ave & Lower Buckeye Rd	14:10	Sierra Linda HS-South.....		18:10		83rd Ave & Van Buren St.....		21:49	
Sierra Linda HS-North.....	14:15	75th Ave & Lower Buckeye Rd		18:15					
						Deadhead			
67 / North / 108 / 20165210		75 / North / 147 / 20165442				83rd Ave & Van Buren St.....		21:49	
Sierra Linda HS-North.....	14:15	75th Ave & Lower Buckeye Rd		18:25		83rd Ave & Van Buren St.....		21:53	
67th Ave & Van Buren St.....	14:24	75th Ave & Van Buren St.....		18:30					
67th Ave & Thomas Rd.....	14:33	Desert Sky TC.....		18:44		83 / North / 153 / 20165976			
67th Ave & Camelback Rd.....	14:40	75th Ave & Camelback Rd.....		18:54		83rd Ave & Van Buren St.....		22:05	
67th Ave & Glendale Ave.....	14:50					Desert Sky TC.....		22:12	
67th Ave & Olive Ave.....	14:56	Deadhead				83rd Ave & Camelback Rd.....		22:20	
67th Ave & Thunderbird Rd.....	15:06	75th Ave & Camelback Rd.....		18:54					
67th Ave & Union Hills Dr.....	15:16	83rd Ave & Camelback Rd.....		18:57		Deadhead			
						83rd Ave & Camelback Rd.....		22:20	
Deadhead		83 / South / 155 / 20165459				75th Ave & Camelback Rd.....		22:23	
67th Ave & Union Hills Dr.....	15:16	83rd Ave & Camelback Rd.....		19:05					
67th Ave & Union Hills Dr.....	15:21	Desert Sky TC.....		19:11		75 / South / 149 / 20165981			
		83rd Ave & Van Buren St.....		19:21		75th Ave & Camelback Rd.....		22:30	
67 / South / 254 / 20165226						Desert Sky TC.....		22:38	
67th Ave & Union Hills Dr.....	15:39	Deadhead				75th Ave & Van Buren St.....		22:47	
67th Ave & Thunderbird Rd.....	15:50	83rd Ave & Van Buren St.....		19:21		75th Ave & Lower Buckeye Rd		22:51	
67th Ave & Olive Ave.....	15:59	83rd Ave & Van Buren St.....		19:25					
67th Ave & Glendale Ave.....	16:06					Deadhead			
67th Ave & Camelback Rd.....	16:15	83 / North / 183 / 20165889				75th Ave & Lower Buckeye Rd		23:16	
67th Ave & Thomas Rd.....	16:23	83rd Ave & Van Buren St.....		19:32		Sierra Linda HS-North.....		23:21	
67th Ave & Van Buren St.....	16:31	Desert Sky TC.....		19:42					
Sierra Linda HS-South.....	16:40	83rd Ave & Camelback Rd.....		19:50		67 / North / 250 / 20165969			
		83rd Ave & Glendale Ave.....		19:55		Sierra Linda HS-North.....		23:21	
Deadhead		83rd Ave & Peoria Ave.....		20:06		67th Ave & Van Buren St.....		23:27	
Sierra Linda HS-South.....	16:40	83rd Ave & Thunderbird Rd.....		20:12		67th Ave & Thomas Rd.....		23:34	
75th Ave & Lower Buckeye Rd	16:45	Arrowhead Mall North.....		20:22		67th Ave & Camelback Rd.....		23:40	
75 / North / 147 / 20165909		Deadhead				Pull In			
75th Ave & Lower Buckeye Rd	16:55	Arrowhead Mall North.....		20:22		67th Ave & Camelback Rd.....		23:40	
75th Ave & Van Buren St.....	17:00	Arrowhead Mall Layover.....		20:24		West Transit Facility.....		23:56	
Desert Sky TC.....	17:14								
75th Ave & Camelback Rd.....	17:25								

Phoenix West

Effective: 01/22/2024

2100
Sunday

Duty Type	Block	Report Time	Start Place	Start Time	End Time	End Place	Clear Time	Paid Time	Seat Time
ST	CAR 2032	13:44	WEST 75BU	13:49 13:59	13:59 24:03	75BU WEST	24:03	10h19	6h58

Sign-on	13:44	13 / West / 120 / 20165403				13 / West / 120 / 20165701			
		Sky Harbor West.....	17:15	Sky Harbor West.....	21:15				
Travel by	CAR	16th St & Buckeye Rd.....	17:22	16th St & Buckeye Rd.....	21:22				
		Central Ave & Buckeye Rd.....	17:27	Central Ave & Buckeye Rd.....	21:27				
Car Pull		19th Ave & Buckeye Rd.....	17:33	19th Ave & Buckeye Rd.....	21:33				
West Transit Facility.....	13:49	43rd Ave & Buckeye Rd.....	17:43	43rd Ave & Buckeye Rd.....	21:43				
75th Ave & Buckeye Rd.....	13:59	59th Ave & Buckeye Rd.....	17:49	59th Ave & Buckeye Rd.....	21:49				
		Buckeye Rd & 75th Av Westb	17:55	Buckeye Rd & 75th Av Westb	21:55				
Block	2032								
		Deadhead		Deadhead					
		13 / East / 36 / 20165684		13 / East / 36 / 20165679		13 / East / 36 / 20165932			
75th Ave & Buckeye Rd.....	14:30	Buckeye Rd & 75th Av Westb	17:55	Buckeye Rd & 75th Av Westb	21:55	Buckeye Rd & 75th Av Westb	21:55		
		75th Ave & Buckeye Rd.....	17:59	75th Ave & Buckeye Rd.....	21:59	75th Ave & Buckeye Rd.....	21:59		
		59th Ave & Buckeye Rd.....	14:34	59th Ave & Buckeye Rd.....	22:35	59th Ave & Buckeye Rd.....	22:35		
		43rd Ave & Buckeye Rd.....	14:39	43rd Ave & Buckeye Rd.....	22:40	43rd Ave & Buckeye Rd.....	22:40		
		19th Ave & Buckeye Rd.....	14:49	19th Ave & Buckeye Rd.....	22:50	19th Ave & Buckeye Rd.....	22:50		
		Central Ave & Buckeye Rd.....	14:55	Central Ave & Buckeye Rd.....	22:55	Central Ave & Buckeye Rd.....	22:55		
		16th St & Buckeye Rd.....	15:00	16th St & Buckeye Rd.....	23:00	16th St & Buckeye Rd.....	23:00		
		Sky Harbor West.....	15:07	Sky Harbor West.....	19:07	Sky Harbor West.....	23:07		
		13 / West / 120 / 20165397		13 / West / 120 / 20165396		13 / West / 120 / 20165930			
Sky Harbor West.....	15:15	Sky Harbor West.....	19:15	Sky Harbor West.....	23:15	Sky Harbor West.....	23:15		
		16th St & Buckeye Rd.....	15:22	16th St & Buckeye Rd.....	23:21	16th St & Buckeye Rd.....	23:21		
		Central Ave & Buckeye Rd.....	15:27	Central Ave & Buckeye Rd.....	23:26	Central Ave & Buckeye Rd.....	23:26		
		19th Ave & Buckeye Rd.....	15:33	19th Ave & Buckeye Rd.....	23:32	19th Ave & Buckeye Rd.....	23:32		
		43rd Ave & Buckeye Rd.....	15:43	43rd Ave & Buckeye Rd.....	23:43	43rd Ave & Buckeye Rd.....	23:43		
		59th Ave & Buckeye Rd.....	15:49	59th Ave & Buckeye Rd.....	23:48	59th Ave & Buckeye Rd.....	23:48		
		Buckeye Rd & 75th Av Westb	15:55	Buckeye Rd & 75th Av Westb	19:55	Buckeye Rd & 75th Av Westb	23:53		
		Deadhead		Deadhead		Pull In			
Buckeye Rd & 75th Av Westb	15:55	Buckeye Rd & 75th Av Westb	19:55	Buckeye Rd & 75th Av Westb	23:53	Buckeye Rd & 75th Av Westb	23:53		
75th Ave & Buckeye Rd.....	15:59	75th Ave & Buckeye Rd.....	19:59	75th Ave & Buckeye Rd.....	23:59	West Transit Facility.....	24:03		
		13 / East / 36 / 20165676		13 / East / 36 / 20165681					
75th Ave & Buckeye Rd.....	16:30	75th Ave & Buckeye Rd.....	20:30	75th Ave & Buckeye Rd.....	20:30				
		59th Ave & Buckeye Rd.....	16:34	59th Ave & Buckeye Rd.....	20:34				
		43rd Ave & Buckeye Rd.....	16:39	43rd Ave & Buckeye Rd.....	20:39				
		19th Ave & Buckeye Rd.....	16:49	19th Ave & Buckeye Rd.....	20:49				
		Central Ave & Buckeye Rd.....	16:55	Central Ave & Buckeye Rd.....	20:55				
		16th St & Buckeye Rd.....	17:00	16th St & Buckeye Rd.....	21:00				
		Sky Harbor West.....	17:07	Sky Harbor West.....	21:07				

Phoenix West

Effective: 01/22/2024

2101
Sunday

Duty Type	Block	Report Time	Start Place	Start Time	End Time	End Place	Clear Time	Paid Time	Seat Time
ST	CAR 2002	13:42	WEST 94TH	13:47 14:01	14:01 23:50	94TH WEST	23:50	10h08	8h13

Sign-on	13:42	Deadhead				29 / West / 199 / 20165705			
		93rd Ave & Thomas Rd.....		17:59		56th St & Thomas Rd.....		20:39	
Travel by	CAR	94th Av Layover.....		18:00		44th St & Thomas Rd.....		20:46	
						24th St & Thomas Rd.....		20:58	
Car Pull		Deadhead				Central Ave & Thomas Rd.....		21:10	
West Transit Facility.....	13:47	94th Av Layover.....		18:32		19th Ave & Thomas Rd.....		21:16	
94th Av Layover.....	14:01	93rd Ave & Thomas Rd.....		18:33		35th Ave & Thomas Rd.....		21:24	
						51st Ave & Thomas Rd.....		21:30	
Block	2002	29 / East / 31 / 20165504				67th Ave & Thomas Rd.....		21:36	
		93rd Ave & Thomas Rd.....		18:33		Desert Sky TC.....		21:44	
Deadhead		Thomas Rd at Desert Sky TC....		18:39		Desert Sky TC.....		21:47	
94th Av Layover.....	14:29	67th Ave & Thomas Rd.....		18:46		93rd Ave & Thomas Rd.....		21:52	
93rd Ave & Thomas Rd.....	14:30	51st Ave & Thomas Rd.....		18:56					
		35th Ave & Thomas Rd.....		19:04		Deadhead			
29 / East / 31 / 20165498		19th Ave & Thomas Rd.....		19:13		93rd Ave & Thomas Rd.....		21:52	
93rd Ave & Thomas Rd.....	14:30	Central Ave & Thomas Rd.....		19:20		94th Av Layover.....		21:53	
Thomas Rd at Desert Sky TC....	14:36	24th St & Thomas Rd.....		19:33					
67th Ave & Thomas Rd.....	14:43	44th St & Thomas Rd.....		19:45		Deadhead			
51st Ave & Thomas Rd.....	14:53	56th St & Thomas Rd.....		19:52		94th Av Layover.....		22:10	
35th Ave & Thomas Rd.....	15:02	Scottsdale Rd & Thomas Rd.....		19:57		93rd Ave & Thomas Rd.....		22:11	
19th Ave & Thomas Rd.....	15:12	Pima Park.....		20:04					
Central Ave & Thomas Rd.....	15:20					29 / East / 257 / 20165943			
24th St & Thomas Rd.....	15:33	Deadhead				93rd Ave & Thomas Rd.....		22:11	
44th St & Thomas Rd.....	15:48	Pima Park.....		20:04		Thomas Rd at Desert Sky TC....		22:16	
56th St & Thomas Rd.....	15:55	56th St & Thomas Rd.....		20:19		67th Ave & Thomas Rd.....		22:22	
Scottsdale Rd & Thomas Rd.....	16:01					51st Ave & Thomas Rd.....		22:28	
Pima Park.....	16:08					35th Ave & Thomas Rd.....		22:35	
						19th Ave & Thomas Rd.....		22:43	
29 / West / 199 / 20165527						Central Ave & Thomas Rd.....		22:50	
Pima Park.....	16:21					24th St & Thomas Rd.....		23:00	
Scottsdale Rd & Thomas Rd.....	16:26					44th St & Thomas Rd.....		23:09	
56th St & Thomas Rd.....	16:32					56th St & Thomas Rd.....		23:15	
44th St & Thomas Rd.....	16:41								
24th St & Thomas Rd.....	16:55					Pull In			
Central Ave & Thomas Rd.....	17:10					56th St & Thomas Rd.....		23:15	
19th Ave & Thomas Rd.....	17:17					West Transit Facility.....		23:50	
35th Ave & Thomas Rd.....	17:26								
51st Ave & Thomas Rd.....	17:33								
67th Ave & Thomas Rd.....	17:40								
Desert Sky TC.....	17:50								
Desert Sky TC.....	17:53								
93rd Ave & Thomas Rd.....	17:59								

Phoenix West

Effective: 01/22/2024

2102
Sunday

Duty Type	Block	Report Time	Start Place	Start Time	End Time	End Place	Clear Time	Paid Time	Seat Time
ST	CAR 2045	13:47	WEST 67VB	13:52 14:02	14:02 23:18	67VB WEST	23:18	9h31	7h00

Sign-on	13:47	Deadhead	67 / North / 108 / 20165215
Travel by	CAR	Arrowhead Mall North.....	16:26
Car Pull		Deadhead	67th Ave & Van Buren St.....
West Transit Facility.....	13:52	Arrowhead Mall Layover.....	16:28
67th Ave & Van Buren St.....	14:02		67th Ave & Thomas Rd.....
Block	2045	83 / South / 155 / 20165875	67th Ave & Camelback Rd.....
67 / South / 254 / 20165898		Arrowhead Mall North.....	67th Ave & Glendale Ave.....
67th Ave & Van Buren St.....	14:02	83rd Ave & Thunderbird Rd.....	67th Ave & Olive Ave.....
Sierra Linda HS-South.....	14:11	83rd Ave & Peoria Ave.....	67th Ave & Thunderbird Rd.....
Deadhead		83rd Ave & Glendale Ave.....	67th Ave & Union Hills Dr.....
Sierra Linda HS-South.....	14:11	83rd Ave & Camelback Rd.....	20:13
75th Ave & Lower Buckeye Rd	14:16	Desert Sky TC.....	
75 / North / 147 / 20165434		83rd Ave & Van Buren St.....	67 / South / 254 / 20165231
75th Ave & Lower Buckeye Rd	14:25	83rd Ave & Van Buren St.....	67th Ave & Union Hills Dr.....
75th Ave & Van Buren St.....	14:31		67th Ave & Thunderbird Rd.....
Desert Sky TC.....	14:43	83 / North / 153 / 20165474	67th Ave & Olive Ave.....
75th Ave & Camelback Rd.....	14:54	83rd Ave & Van Buren St.....	67th Ave & Glendale Ave.....
Deadhead		Desert Sky TC.....	67th Ave & Camelback Rd.....
75th Ave & Camelback Rd.....	14:54	83rd Ave & Camelback Rd.....	67th Ave & Thomas Rd.....
83rd Ave & Camelback Rd.....	14:57		67th Ave & Van Buren St.....
83 / South / 155 / 20165454		83rd Ave & Van Buren St.....	Sierra Linda HS-South.....
83rd Ave & Camelback Rd.....	15:02	83rd Ave & Camelback Rd.....	21:37
Desert Sky TC.....	15:11	75th Ave & Camelback Rd.....	75th Ave & Lower Buckeye Rd
83rd Ave & Van Buren St.....	15:21		21:55
Deadhead		75 / South / 149 / 20165419	75th Ave & Van Buren St.....
83rd Ave & Van Buren St.....	15:21	75th Ave & Camelback Rd.....	Desert Sky TC.....
83rd Ave & Van Buren St.....	15:25	Desert Sky TC.....	75th Ave & Camelback Rd.....
83 / North / 183 / 20165853		75th Ave & Van Buren St.....	22:16
83rd Ave & Van Buren St.....	15:33	75th Ave & Lower Buckeye Rd	Deadhead
Desert Sky TC.....	15:42	Sierra Linda HS-North.....	75th Ave & Camelback Rd.....
83rd Ave & Camelback Rd.....	15:52		22:19
83rd Ave & Glendale Ave.....	15:57	83 / North / 153 / 20165474	67 / South / 254 / 20165971
83rd Ave & Peoria Ave.....	16:09	83rd Ave & Van Buren St.....	67th Ave & Camelback Rd.....
83rd Ave & Thunderbird Rd.....	16:15	Sierra Linda HS-North.....	67th Ave & Thomas Rd.....
Arrowhead Mall North.....	16:26		67th Ave & Van Buren St.....
			Sierra Linda HS-South.....
			23:07
			Pull In
			Sierra Linda HS-South.....
			West Transit Facility.....
			23:18

Phoenix West

Effective: 01/22/2024

2103
Sunday

Duty Type	Block	Report Time	Start Place	Start Time	End Time	End Place	Clear Time	Paid Time	Seat Time
ST	CAR 2028	13:52	WEST DSTC	13:57 14:11	14:11 23:24	DSTC WEST	23:24	9h32	6h51

Sign-on	13:52	Deadhead				Deadhead			
		83rd Ave & Van Buren St.....		16:51		Sierra Linda HS-South.....		20:37	
Travel by	CAR	83rd Ave & Van Buren St.....		16:55		75th Ave & Lower Buckeye Rd		20:42	
Car Pull		83 / North / 153 / 20165472				75 / North / 147 / 20165922			
West Transit Facility.....	13:57	83rd Ave & Van Buren St.....		17:03		75th Ave & Lower Buckeye Rd		20:55	
Desert Sky TC.....	14:11	Desert Sky TC.....		17:12		75th Ave & Van Buren St.....		21:00	
		83rd Ave & Camelback Rd.....		17:21		Desert Sky TC.....		21:11	
Block	2028					75th Ave & Camelback Rd.....		21:19	
		83 / South / 155 / 20165453				Deadhead			
Desert Sky TC.....	14:11	83rd Ave & Camelback Rd.....		17:21		75th Ave & Camelback Rd.....		21:19	
83rd Ave & Van Buren St.....	14:21					67th Ave & Camelback Rd.....		21:22	
		75 / South / 149 / 20165426				67 / South / 254 / 20165906			
Deadhead		75th Ave & Camelback Rd.....		17:30		67th Ave & Camelback Rd.....		21:45	
83rd Ave & Van Buren St.....	14:21	Desert Sky TC.....		17:39		67th Ave & Thomas Rd.....		21:52	
83rd Ave & Van Buren St.....	14:25	75th Ave & Van Buren St.....		17:52		67th Ave & Van Buren St.....		22:00	
		75th Ave & Lower Buckeye Rd		17:56		Sierra Linda HS-South.....		22:07	
		83 / North / 183 / 20165854				Deadhead			
83rd Ave & Van Buren St.....	14:33	Deadhead				75th Ave & Lower Buckeye Rd		18:12	
Desert Sky TC.....	14:42	75th Ave & Lower Buckeye Rd		18:12		Sierra Linda HS-North.....		18:17	
83rd Ave & Camelback Rd.....	14:52	Sierra Linda HS-North.....		18:17		Deadhead			
83rd Ave & Glendale Ave.....	14:57	67th Ave & Van Buren St.....		18:24		Sierra Linda HS-South.....		22:07	
83rd Ave & Peoria Ave.....	15:09	67th Ave & Thomas Rd.....		18:33		75th Ave & Lower Buckeye Rd		22:25	
83rd Ave & Thunderbird Rd.....	15:15	67th Ave & Camelback Rd.....		18:40		75th Ave & Van Buren St.....		22:29	
Arrowhead Mall North.....	15:26	67th Ave & Glendale Ave.....		18:49		Desert Sky TC.....		22:38	
		67th Ave & Olive Ave.....		18:55		75th Ave & Camelback Rd.....		22:46	
Deadhead		67th Ave & Thunderbird Rd.....		19:04					
Arrowhead Mall North.....	15:26	67th Ave & Union Hills Dr.....		19:14		Deadhead			
Arrowhead Mall Layover.....	15:28	67th Ave & Union Hills Dr.....		19:19		75th Ave & Camelback Rd.....		22:46	
						83rd Ave & Camelback Rd.....		22:49	
Deadhead		Deadhead							
Arrowhead Mall Layover.....	15:57	67th Ave & Union Hills Dr.....		19:14		83 / South / 155 / 20165984			
Arrowhead Mall North.....	15:59	67th Ave & Union Hills Dr.....		19:19		83rd Ave & Camelback Rd.....		23:05	
		83 / South / 155 / 20165876				Desert Sky TC.....		23:11	
Arrowhead Mall North.....	15:59	67th Ave & Union Hills Dr.....		19:43		83rd Ave & Van Buren St.....		23:19	
83rd Ave & Thunderbird Rd.....	16:10	67th Ave & Thunderbird Rd.....		19:53					
83rd Ave & Peoria Ave.....	16:16	67th Ave & Olive Ave.....		20:01		Pull In			
83rd Ave & Glendale Ave.....	16:29	67th Ave & Glendale Ave.....		20:07		83rd Ave & Van Buren St.....		23:19	
83rd Ave & Camelback Rd.....	16:34	67th Ave & Camelback Rd.....		20:15		West Transit Facility.....		23:24	
Desert Sky TC.....	16:41	67th Ave & Thomas Rd.....		20:22					
83rd Ave & Van Buren St.....	16:51	67th Ave & Van Buren St.....		20:30					
		Sierra Linda HS-South.....		20:37					

Phoenix West

Effective: 01/22/2024

2104
Sunday

Duty Type	Block	Report Time	Start Place	Start Time	End Time	End Place	Clear Time	Paid Time	Seat Time
ST	CAR 2014	13:49	WEST 107I-E	13:54 14:12	14:12 24:20	107I-E WEST	24:20	10h31	8h29

Sign-on	13:49	41 / West / 724 / 20165585	29 / West / 199 / 20165706
		Granite Reef Rd & Indian Sch	16:56
Travel by	CAR	Scottsdale Rd & Indian School	17:01
		56th St & Indian School Rd.....	17:08
Car Pull		44th St & Indian School Rd.....	17:12
West Transit Facility.....	13:54	32nd St & Indian School Rd.....	17:18
107th Ave & Indian School Rd.	14:12	24th St & Indian School Rd.....	17:23
		Central Ave & Indian School Rd.	17:35
Block	2014	Central Ave & Indian School Rd.	17:39
		19th Ave & Indian School Rd.....	17:47
		43rd Ave & Indian School Rd.....	18:03
41 / East / 172 / 20165544		59th Ave & Indian School Rd.....	18:12
107th Ave & Indian School Rd.	14:47	83rd Ave & Indian School Rd.....	18:24
83rd Ave & Indian School Rd.....	14:55	107th Ave & Indian School Rd.	18:35
59th Ave & Indian School Rd.....	15:06		
43rd Ave & Indian School Rd.....	15:15	Deadhead	
19th Ave & Indian School Rd.....	15:31	93rd Ave & Thomas Rd.....	22:22
Central Ave & Indian School Rd.	15:40	94th Av Layover.....	22:23
Central Ave & Indian School Rd.	15:44	Deadhead	
24th St & Indian School Rd.....	15:58	94th Av Layover.....	22:40
32nd St & Indian School Rd.....	16:02	93rd Ave & Thomas Rd.....	22:41
44th St & Indian School Rd.....	16:09		
56th St & Indian School Rd.....	16:12	29 / East / 31 / 20165490	
Scottsdale Rd & Indian School	16:19	93rd Ave & Thomas Rd.....	19:03
Granite Reef Rd & Indian Sch	16:27	Thomas Rd at Desert Sky TC....	19:09
		67th Ave & Thomas Rd.....	19:16
Deadhead		51st Ave & Thomas Rd.....	19:26
Granite Reef Rd & Indian Sch	16:27	35th Ave & Thomas Rd.....	19:34
Pima Rd & Chaparral Rd.....	16:31	19th Ave & Thomas Rd.....	19:43
		Central Ave & Thomas Rd.....	19:50
Deadhead		24th St & Thomas Rd.....	20:01
Pima Rd & Chaparral Rd.....	16:52	44th St & Thomas Rd.....	20:11
Granite Reef Rd & Indian Sch	16:56	56th St & Thomas Rd.....	20:18
		Scottsdale Rd & Thomas Rd.....	20:23
		Pima Park.....	20:30
		Deadhead	
		Pima Park.....	20:30
		56th St & Thomas Rd.....	20:45
		Pull In	
		56th St & Thomas Rd.....	23:45
		West Transit Facility.....	24:20

Phoenix West

Effective: 01/22/2024

2105
Sunday

Duty Type	Block	Report Time	Start Place	Start Time	End Time	End Place	Clear Time	Paid Time	Seat Time
ST	CAR 2054	13:50	WEST 67TH	13:55 14:13	14:13 24:35	67TH WEST	24:35	10h45	9h03

Sign-on	13:50	Deadhead	Deadhead
Travel by	CAR	93rd Ave & Thomas Rd..... 17:29	94th Av Layover..... 21:38
Car Pull		94th Av Layover..... 17:30	93rd Ave & Thomas Rd..... 21:39
West Transit Facility..... 13:55		Deadhead	29 / East / 257 / 20165715
67th Ave & Thomas Rd..... 14:13		94th Av Layover..... 18:01	93rd Ave & Thomas Rd..... 21:39
Block	2054	93rd Ave & Thomas Rd..... 18:02	Thomas Rd at Desert Sky TC.... 21:44
29 / East / 31 / 20165482		Thomas Rd at Desert Sky TC.... 18:08	67th Ave & Thomas Rd..... 21:50
67th Ave & Thomas Rd..... 14:13		67th Ave & Thomas Rd..... 18:15	51st Ave & Thomas Rd..... 21:58
51st Ave & Thomas Rd..... 14:23		51st Ave & Thomas Rd..... 18:25	35th Ave & Thomas Rd..... 22:05
35th Ave & Thomas Rd..... 14:32		35th Ave & Thomas Rd..... 18:33	19th Ave & Thomas Rd..... 22:13
19th Ave & Thomas Rd..... 14:42		19th Ave & Thomas Rd..... 18:42	Central Ave & Thomas Rd..... 22:20
Central Ave & Thomas Rd..... 14:50		Central Ave & Thomas Rd..... 18:50	24th St & Thomas Rd..... 22:30
24th St & Thomas Rd..... 15:03		24th St & Thomas Rd..... 19:03	44th St & Thomas Rd..... 22:40
44th St & Thomas Rd..... 15:18		44th St & Thomas Rd..... 19:15	56th St & Thomas Rd..... 22:46
56th St & Thomas Rd..... 15:25		56th St & Thomas Rd..... 19:22	Deadhead
Scottsdale Rd & Thomas Rd..... 15:31		Scottsdale Rd & Thomas Rd..... 19:28	56th St & Thomas Rd..... 22:46
Pima Park..... 15:38		Pima Park..... 19:35	56th St & Thomas Rd..... 22:54
29 / West / 199 / 20165526		29 / West / 199 / 20165942	
Pima Park..... 15:51		56th St & Thomas Rd..... 23:09	44th St & Thomas Rd..... 23:16
Scottsdale Rd & Thomas Rd..... 15:56		44th St & Thomas Rd..... 23:28	24th St & Thomas Rd..... 23:28
56th St & Thomas Rd..... 16:02		Central Ave & Thomas Rd..... 23:40	Central Ave & Thomas Rd..... 23:40
44th St & Thomas Rd..... 16:11		19th Ave & Thomas Rd..... 23:46	19th Ave & Thomas Rd..... 23:46
24th St & Thomas Rd..... 16:25		35th Ave & Thomas Rd..... 23:54	35th Ave & Thomas Rd..... 23:54
Central Ave & Thomas Rd..... 16:40		51st Ave & Thomas Rd..... 24:00	51st Ave & Thomas Rd..... 24:00
19th Ave & Thomas Rd..... 16:47		67th Ave & Thomas Rd..... 24:06	67th Ave & Thomas Rd..... 24:06
35th Ave & Thomas Rd..... 16:56		Desert Sky TC..... 24:14	Desert Sky TC..... 24:14
51st Ave & Thomas Rd..... 17:03		Desert Sky TC..... 24:17	Desert Sky TC..... 24:17
67th Ave & Thomas Rd..... 17:10		93rd Ave & Thomas Rd..... 24:22	93rd Ave & Thomas Rd..... 24:22
Desert Sky TC..... 17:20		Pull In	
Desert Sky TC..... 17:23		93rd Ave & Thomas Rd..... 24:22	93rd Ave & Thomas Rd..... 24:22
93rd Ave & Thomas Rd..... 17:29		93rd Ave & Thomas Rd..... 21:22	West Transit Facility..... 24:35
		Deadhead	
		93rd Ave & Thomas Rd..... 21:22	
		94th Av Layover..... 21:23	

Phoenix West

Effective: 01/22/2024

2106
Sunday

Duty Type	Block	Report Time	Start Place	Start Time	End Time	End Place	Clear Time	Paid Time	Seat Time
ST	CAR 2048	13:52	WEST 83VB	13:57 14:05	14:05 23:06	83VB WEST	23:06	9h14	7h23

Sign-on	13:52	Deadhead				3 / East / 181 / 20165635			
		83rd Ave & Van Buren St.....		17:01		83rd Ave & Van Buren St.....		20:25	
Travel by	CAR	83rd Ave & Van Buren St.....		17:05		67th Ave & Van Buren St.....		20:30	
						51st Ave & Van Buren St.....		20:39	
Car Pull		3 / East / 86 / 20165632				35th Ave & Van Buren St.....		20:48	
West Transit Facility.....	13:57	83rd Ave & Van Buren St.....		17:25		19th Ave & Van Buren St.....		20:56	
83rd Ave & Van Buren St.....	14:05	67th Ave & Van Buren St.....		17:30		Central Ave & Van Buren St.....		21:05	
		51st Ave & Van Buren St.....		17:39		24th St & Van Buren St.....		21:16	
Block	2048	35th Ave & Van Buren St.....		17:48		44th St & Van Buren St.....		21:25	
		19th Ave & Van Buren St.....		17:56		Galvin Pkwy & Van Buren St...		21:32	
		3 / East / 86 / 20165626							
83rd Ave & Van Buren St.....	14:25	Central Ave & Van Buren St.....		18:05					
67th Ave & Van Buren St.....	14:30	24th St & Van Buren St.....		18:16		Deadhead			
51st Ave & Van Buren St.....	14:39	44th St & Van Buren St.....		18:25		Galvin Pkwy & Van Buren St...		21:32	
35th Ave & Van Buren St.....	14:48	Galvin Pkwy & Van Buren St.....		18:32		Galvin Pkwy & Van Buren St...		21:38	
19th Ave & Van Buren St.....	14:56	Phoenix Zoo.....		18:36					
Central Ave & Van Buren St.....	15:05					3 / West / 104 / 20165654			
24th St & Van Buren St.....	15:16	3 / West / 104 / 20165608				Galvin Pkwy & Van Buren St...		21:54	
44th St & Van Buren St.....	15:25	Phoenix Zoo.....		18:51		44th St & Van Buren St.....		22:00	
Galvin Pkwy & Van Buren St.....	15:32	Galvin Pkwy & Van Buren St.....		18:54		24th St & Van Buren St.....		22:08	
Phoenix Zoo.....	15:36	44th St & Van Buren St.....		19:00		2nd Ave & Van Buren St.....		22:20	
		24th St & Van Buren St.....		19:08		19th Ave & Van Buren St.....		22:28	
		2nd Ave & Van Buren St.....		19:20		35th Ave & Van Buren St.....		22:37	
		19th Ave & Van Buren St.....		19:28		51st Ave & Van Buren St.....		22:46	
		35th Ave & Van Buren St.....		19:37		67th Ave & Van Buren St.....		22:53	
		51st Ave & Van Buren St.....		19:46		83rd Ave & Van Buren St.....		23:01	
		67th Ave & Van Buren St.....		19:53					
		83rd Ave & Van Buren St.....		20:01		Pull In			
						83rd Ave & Van Buren St.....		23:01	
		Deadhead				West Transit Facility.....		23:06	
		83rd Ave & Van Buren St.....		20:01					
		83rd Ave & Van Buren St.....		20:05					

Phoenix West

Effective: 01/22/2024

2107
Sunday

Duty Type	Block	Report Time	Start Place	Start Time	End Time	End Place	Clear Time	Paid Time	Seat Time
ST	CAR 2004	13:55	WEST 99MC	14:00 14:12	14:12 20:48	99MC WEST	20:48	6h53	5h59

Sign-on	13:55	Deadhead	17 / East / 132 / 20165332
Travel by	CAR	Pima Rd & McDowell Rd..... 16:00	99th Ave & McDowell Rd..... 18:24
Car Pull		17 / West / 253 / 20165378	83rd Ave & McDowell Rd..... 18:32
West Transit Facility..... 14:00	14:12	Pima Rd & McDowell Rd..... 16:32	67th Ave & McDowell Rd..... 18:39
99th Ave & McDowell Rd..... 14:12		Scottsdale Rd & McDowell Rd.... 16:39	43rd Ave & McDowell Rd..... 18:52
Block	2004	52nd St & McDowell Rd..... 16:46	19th Ave & McDowell Rd..... 19:07
		44th St & McDowell Rd..... 16:49	Central Ave & McDowell Rd..... 19:17
		24th St & McDowell Rd..... 17:01	24th St & McDowell Rd..... 19:29
17 / East / 132 / 20165336		Central Ave & McDowell Rd..... 17:13	44th St & McDowell Rd..... 19:41
99th Ave & McDowell Rd..... 14:24		19th Ave & McDowell Rd..... 17:21	52nd St & McDowell Rd..... 19:44
83rd Ave & McDowell Rd..... 14:32		43rd Ave & McDowell Rd..... 17:36	Scottsdale Rd & McDowell Rd.... 19:52
67th Ave & McDowell Rd..... 14:39		67th Ave & McDowell Rd..... 17:50	Pima Rd & McDowell Rd..... 20:00
43rd Ave & McDowell Rd..... 14:52		83rd Ave & McDowell Rd..... 17:57	
19th Ave & McDowell Rd..... 15:07		99th Ave & McDowell Rd..... 18:05	Pull In
Central Ave & McDowell Rd..... 15:17			Pima Rd & McDowell Rd..... 20:00
24th St & McDowell Rd..... 15:29		Deadhead	West Transit Facility..... 20:48
44th St & McDowell Rd..... 15:41		99th Ave & McDowell Rd..... 18:05	
52nd St & McDowell Rd..... 15:44		99th Ave & McDowell Rd..... 18:12	
Scottsdale Rd & McDowell Rd.... 15:52			
Pima Rd & McDowell Rd..... 16:00			

Phoenix West

Effective: 01/22/2024

2108
Sunday

Duty Type	Block	Report Time	Start Place	Start Time	End Time	End Place	Clear Time	Paid Time	Seat Time
ST	CAR 2025	13:58	WEST ASUW	14:03 14:38	14:38 24:34	ASUW WEST	24:34	10h36	8h07

Sign-on	13:58	51 / South / 27 / 20165757	51 / South / 28 / 20165775
		ASU West Campus.....	ASU West Campus.....
Travel by	CAR	51st Ave & Olive Ave.....	51st Ave & Olive Ave.....
		51st Ave & Glendale Ave.....	51st Ave & Glendale Ave.....
Car Pull		51st Ave & Camelback Rd.....	51st Ave & Camelback Rd.....
West Transit Facility.....	14:03	51st Ave & Thomas Rd.....	51st Ave & Thomas Rd.....
ASU West Campus.....	14:38	51st Ave & Van Buren St.....	51st Ave & Van Buren St.....
		51st Ave & Lower Buckeye Rd...	51st Ave & Lower Buckeye Rd...
Block	2025	51st Ave & Baseline Rd.....	51st Ave & Baseline Rd.....
		-----	-----
51 / South / 28 / 20165289		Deadhead	Vee Quiva Casino.....
ASU West Campus.....	15:02	51st Ave & Baseline Rd.....	51st Ave & Pecos Rd.....
51st Ave & Olive Ave.....	15:14	51st Ave & Baseline Rd.....	-----
51st Ave & Glendale Ave.....	15:21	-----	51 / North / 206 / 20165965
51st Ave & Camelback Rd.....	15:28	51 / North / 206 / 20165790	51st Ave & Pecos Rd.....
51st Ave & Thomas Rd.....	15:37	51st Ave & Baseline Rd.....	Vee Quiva Casino.....
51st Ave & Van Buren St.....	15:45	51st Ave & Lower Buckeye Rd...	51st Ave & Baseline Rd.....
51st Ave & Lower Buckeye Rd...	15:50	51st Ave & Van Buren St.....	51st Ave & Lower Buckeye Rd...
51st Ave & Baseline Rd.....	15:58	51st Ave & Thomas Rd.....	51st Ave & Van Buren St.....
Vee Quiva Casino.....	16:10	51st Ave & Camelback Rd.....	51st Ave & Thomas Rd.....
Komatke Health Center.....	16:22	51st Ave & Glendale Ave.....	51st Ave & Camelback Rd.....
51st Ave & Pecos Rd.....	16:26	51st Ave & Olive Ave.....	51st Ave & Glendale Ave.....
-----	-----	ASU West Campus.....	51st Ave & Olive Ave.....
51 / North / 206 / 20165277		-----	ASU West Campus.....
51st Ave & Pecos Rd.....	16:51	-----	-----
Vee Quiva Casino.....	17:01		Pull In
51st Ave & Baseline Rd.....	17:13		ASU West Campus.....
51st Ave & Lower Buckeye Rd...	17:20		West Transit Facility.....
51st Ave & Van Buren St.....	17:27		-----
51st Ave & Thomas Rd.....	17:35		
51st Ave & Camelback Rd.....	17:43		
51st Ave & Glendale Ave.....	17:48		
51st Ave & Olive Ave.....	17:55		
ASU West Campus.....	18:06		

Phoenix West

Effective: 01/22/2024

2109
Sunday

Duty Type	Block	Report Time	Start Place	Start Time	End Time	End Place	Clear Time	Paid Time	Seat Time
ST	CAR 2018	13:58	WEST 51VB	14:03 14:15	14:15 24:05	51VB WEST	24:05	10h07	7h48

Sign-on	13:58	51 / South / 28 / 20165290				Deadhead			
		ASU West Campus.....	16:02	51st Ave & Baseline Rd.....	20:29				
Travel by	CAR	51st Ave & Olive Ave.....	16:14	51st Ave & Baseline Rd.....	20:34				
		51st Ave & Glendale Ave.....	16:21						
Car Pull		51st Ave & Camelback Rd.....	16:28	51 / North / 206 / 20165781					
West Transit Facility.....	14:03	51st Ave & Thomas Rd.....	16:37	51st Ave & Baseline Rd.....	20:45				
51st Ave & Van Buren St.....	14:15	51st Ave & Van Buren St.....	16:45	51st Ave & Lower Buckeye Rd...	20:52				
		51st Ave & Lower Buckeye Rd...	16:50	51st Ave & Van Buren St.....	20:57				
Block	2018	51st Ave & Baseline Rd.....	16:58	51st Ave & Thomas Rd.....	21:05				
		Vee Quiva Casino.....	17:10	51st Ave & Camelback Rd.....	21:11				
51 / South / 27 / 20165766		Komatke Health Center.....	17:22	51st Ave & Glendale Ave.....	21:16				
51st Ave & Van Buren St.....	14:15	51st Ave & Pecos Rd.....	17:26	51st Ave & Olive Ave.....	21:22				
51st Ave & Lower Buckeye Rd...	14:20			ASU West Campus.....	21:32				
51st Ave & Baseline Rd.....	14:28	51 / North / 206 / 20165271							
		51st Ave & Pecos Rd.....	17:51	51 / South / 28 / 20165964					
Deadhead		Vee Quiva Casino.....	18:01	ASU West Campus.....	22:08				
51st Ave & Baseline Rd.....	14:28	51st Ave & Baseline Rd.....	18:13	51st Ave & Olive Ave.....	22:19				
51st Ave & Baseline Rd.....	14:33	51st Ave & Lower Buckeye Rd...	18:20	51st Ave & Glendale Ave.....	22:24				
		51st Ave & Van Buren St.....	18:27	51st Ave & Camelback Rd.....	22:29				
51 / North / 206 / 20165767		51st Ave & Thomas Rd.....	18:35	51st Ave & Thomas Rd.....	22:37				
51st Ave & Baseline Rd.....	14:42	51st Ave & Camelback Rd.....	18:43	51st Ave & Van Buren St.....	22:44				
51st Ave & Lower Buckeye Rd...	14:49	51st Ave & Glendale Ave.....	18:48	51st Ave & Lower Buckeye Rd...	22:49				
51st Ave & Van Buren St.....	14:56	51st Ave & Olive Ave.....	18:55	51st Ave & Baseline Rd.....	22:57				
51st Ave & Thomas Rd.....	15:05	ASU West Campus.....	19:06	Vee Quiva Casino.....	23:09				
51st Ave & Camelback Rd.....	15:13			Komatke Health Center.....	23:21				
51st Ave & Glendale Ave.....	15:20	51 / South / 27 / 20165777		51st Ave & Pecos Rd.....	23:25				
51st Ave & Olive Ave.....	15:27	ASU West Campus.....	19:35						
ASU West Campus.....	15:38	51st Ave & Olive Ave.....	19:47	Pull In					
		51st Ave & Glendale Ave.....	19:53	51st Ave & Pecos Rd.....	23:25				
		51st Ave & Camelback Rd.....	19:59	West Transit Facility.....	24:05				
		51st Ave & Thomas Rd.....	20:07						
		51st Ave & Van Buren St.....	20:15						
		51st Ave & Lower Buckeye Rd...	20:21						
		51st Ave & Baseline Rd.....	20:29						

Phoenix West

Effective: 01/22/2024

2110
Sunday

Duty Type	Block	Report Time	Start Place	Start Time	End Time	End Place	Clear Time	Paid Time	Seat Time
ST	CAR 2009	14:04	WEST 51HD	14:09 14:20	14:20 22:29	51HD WEST	22:29	8h25	6h13

Sign-on	14:04	Deadhead				Deadhead			
		59th Ave & Buckeye Rd.....		17:16		59th Ave & Buckeye Rd.....		20:15	
Travel by	CAR	51st Ave & Hadley St.....		17:20		51st Ave & Hadley St.....		20:19	
Car Pull		Deadhead				Deadhead			
West Transit Facility.....	14:09	51st Ave & Hadley St.....		17:49		51st Ave & Hadley St.....		20:54	
51st Ave & Hadley St.....	14:20	59th Ave & Buckeye Rd.....		17:53		59th Ave & Buckeye Rd.....		20:58	
Block	2009	59 / North / 830 / 20165306				59 / North / 830 / 20165296			
		59th Ave & Buckeye Rd.....		17:53		59th Ave & Buckeye Rd.....		20:58	
Deadhead		59th Ave & Van Buren St.....		17:55		59th Ave & Van Buren St.....		21:00	
51st Ave & Hadley St.....	14:49	59th Ave & Thomas Rd.....		18:04		59th Ave & Thomas Rd.....		21:06	
59th Ave & Buckeye Rd.....	14:53	59th Ave & Camelback Rd.....		18:13		59th Ave & Camelback Rd.....		21:13	
		59th Ave & Glendale Ave.....		18:22		59th Ave & Glendale Ave.....		21:21	
59 / North / 830 / 20165312		59th Ave & Olive Ave.....		18:32		59th Ave & Olive Ave.....		21:28	
59th Ave & Buckeye Rd.....	14:53	59th Ave & Thunderbird Rd.....		18:43		59th Ave & Thunderbird Rd.....		21:38	
59th Ave & Van Buren St.....	14:55	59th Ave & Bell Rd.....		18:50		59th Ave & Bell Rd.....		21:45	
59th Ave & Thomas Rd.....	15:04	59th Ave & Beardsley Rd.....		18:57		59th Ave & Beardsley Rd.....		21:51	
59th Ave & Camelback Rd.....	15:13								
59th Ave & Glendale Ave.....	15:23	59 / South / 220 / 20165298				Pull In			
59th Ave & Olive Ave.....	15:33	59th Ave & Beardsley Rd.....		19:19		59th Ave & Beardsley Rd.....		21:51	
59th Ave & Thunderbird Rd.....	15:45	59th Ave & Bell Rd.....		19:24		West Transit Facility.....		22:29	
59th Ave & Bell Rd.....	15:52	59th Ave & Thunderbird Rd.....		19:30					
59th Ave & Beardsley Rd.....	16:01	59th Ave & Olive Ave.....		19:41					
		59th Ave & Glendale Ave.....		19:49					
59 / South / 220 / 20165317		59th Ave & Camelback Rd.....		19:57					
59th Ave & Beardsley Rd.....	16:13	59th Ave & Thomas Rd.....		20:04					
59th Ave & Bell Rd.....	16:19	59th Ave & Van Buren St.....		20:12					
59th Ave & Thunderbird Rd.....	16:26	59th Ave & Buckeye Rd.....		20:15					
59th Ave & Olive Ave.....	16:38								
59th Ave & Glendale Ave.....	16:48								
59th Ave & Camelback Rd.....	16:57								
59th Ave & Thomas Rd.....	17:04								
59th Ave & Van Buren St.....	17:13								
59th Ave & Buckeye Rd.....	17:16								

Phoenix West

Effective: 01/22/2024

2111
Sunday

Duty Type	Block	Report Time	Start Place	Start Time	End Time	End Place	Clear Time	Paid Time	Seat Time
ST	CAR 2050	14:06	WEST 44MC	14:11 14:41	14:41 24:33	44MC WEST	24:33	10h27	8h02

Sign-on	14:06	Deadhead	Deadhead
Travel by	CAR	99th Ave & McDowell Rd..... 17:05	99th Ave & McDowell Rd..... 20:53
Car Pull		99th Ave & McDowell Rd..... 17:12	99th Ave & McDowell Rd..... 21:00
West Transit Facility.....	14:11	17 / East / 132 / 20165338	17 / East / 255 / 20165663
44th St & McDowell Rd.....	14:41	99th Ave & McDowell Rd..... 17:24	99th Ave & McDowell Rd..... 21:39
Block	2050	83rd Ave & McDowell Rd..... 17:32	83rd Ave & McDowell Rd..... 21:45
		67th Ave & McDowell Rd..... 17:39	67th Ave & McDowell Rd..... 21:51
		43rd Ave & McDowell Rd..... 17:52	43rd Ave & McDowell Rd..... 22:00
		19th Ave & McDowell Rd..... 18:07	19th Ave & McDowell Rd..... 22:11
		Central Ave & McDowell Rd..... 18:17	Central Ave & McDowell Rd..... 22:17
		24th St & McDowell Rd..... 18:29	24th St & McDowell Rd..... 22:27
		44th St & McDowell Rd..... 18:41	44th St & McDowell Rd..... 22:36
		52nd St & McDowell Rd..... 18:44	52nd St & McDowell Rd..... 22:39
		Scottsdale Rd & McDowell Rd... 18:52	
		Pima Rd & McDowell Rd..... 19:00	
Deadhead		Deadhead	Deadhead
Pima Rd & McDowell Rd..... 15:00		Pima Rd & McDowell Rd..... 19:00	52nd St & McDowell Rd..... 22:39
Pima Rd & McDowell Rd..... 15:07		Pima Rd & McDowell Rd..... 19:07	52nd St & McDowell Rd..... 22:44
		17 / West / 253 / 20165377	17 / West / 253 / 20165937
Pima Rd & McDowell Rd..... 15:32		Pima Rd & McDowell Rd..... 19:35	52nd St & McDowell Rd..... 23:20
Scottsdale Rd & McDowell Rd... 15:39		Scottsdale Rd & McDowell Rd... 19:42	44th St & McDowell Rd..... 23:23
52nd St & McDowell Rd..... 15:46		52nd St & McDowell Rd..... 19:49	24th St & McDowell Rd..... 23:33
44th St & McDowell Rd..... 15:49		44th St & McDowell Rd..... 19:52	Central Ave & McDowell Rd..... 23:43
24th St & McDowell Rd..... 16:01		44th St & McDowell Rd..... 19:52	19th Ave & McDowell Rd..... 23:48
Central Ave & McDowell Rd..... 16:13		24th St & McDowell Rd..... 20:03	43rd Ave & McDowell Rd..... 24:00
19th Ave & McDowell Rd..... 16:21		Central Ave & McDowell Rd..... 20:13	67th Ave & McDowell Rd..... 24:09
43rd Ave & McDowell Rd..... 16:36		19th Ave & McDowell Rd..... 20:18	83rd Ave & McDowell Rd..... 24:16
67th Ave & McDowell Rd..... 16:50		43rd Ave & McDowell Rd..... 20:30	99th Ave & McDowell Rd..... 24:23
83rd Ave & McDowell Rd..... 16:57		67th Ave & McDowell Rd..... 20:39	
99th Ave & McDowell Rd..... 17:05		83rd Ave & McDowell Rd..... 20:46	
		99th Ave & McDowell Rd..... 20:53	
			Pull In
			99th Ave & McDowell Rd..... 24:23
			West Transit Facility..... 24:33

Phoenix West

Effective: 01/22/2024

2112
Sunday

Duty Type	Block	Report Time	Start Place	Start Time	End Time	End Place	Clear Time	Paid Time	Seat Time
ST	CAR 2023	14:11	WEST 75LB	14:16 14:26	14:26 23:26	75LB WEST	23:26	9h15	5h22

Sign-on	14:11	Deadhead				Deadhead			
		59th Ave & Camelback Rd.....		16:43		59th Ave & Camelback Rd.....		19:43	
Travel by	CAR	75th Ave & Camelback Rd.....		16:52		75th Ave & Camelback Rd.....		19:52	
Car Pull		75 / South / 149 / 20165867				75 / South / 149 / 20165865			
West Transit Facility.....	14:16	75th Ave & Camelback Rd.....		17:00		75th Ave & Camelback Rd.....		20:00	
75th Ave & Lower Buckeye Rd	14:26	Desert Sky TC.....		17:09		Desert Sky TC.....		20:08	
		75th Ave & Van Buren St.....		17:22		75th Ave & Van Buren St.....		20:19	
Block	2023	75th Ave & Lower Buckeye Rd		17:26		75th Ave & Lower Buckeye Rd		20:23	
Deadhead		Deadhead				Deadhead			
75th Ave & Lower Buckeye Rd	14:40	75th Ave & Lower Buckeye Rd		17:42		75th Ave & Lower Buckeye Rd		20:44	
Sierra Linda HS-North.....	14:45	Sierra Linda HS-North.....		17:47		Sierra Linda HS-North.....		20:49	
67 / North / 250 / 20165837		67 / North / 250 / 20165839				67 / North / 250 / 20165835			
Sierra Linda HS-North.....	14:45	Sierra Linda HS-North.....		17:47		Sierra Linda HS-North.....		20:49	
67th Ave & Van Buren St.....	14:54	67th Ave & Van Buren St.....		17:54		67th Ave & Van Buren St.....		20:56	
67th Ave & Thomas Rd.....	15:03	67th Ave & Thomas Rd.....		18:03		67th Ave & Thomas Rd.....		21:04	
67th Ave & Camelback Rd.....	15:10	67th Ave & Camelback Rd.....		18:10		67th Ave & Camelback Rd.....		21:10	
Deadhead		Deadhead				Deadhead			
67th Ave & Camelback Rd.....	15:10	67th Ave & Camelback Rd.....		18:10		67th Ave & Camelback Rd.....		21:10	
59th Ave & Camelback Rd.....	15:13	59th Ave & Camelback Rd.....		18:13		75th Ave & Camelback Rd.....		21:13	
59 / South / 220 / 20165800		59 / South / 220 / 20165795				75 / South / 149 / 20165983			
59th Ave & Camelback Rd.....	15:27	59th Ave & Camelback Rd.....		18:27		75th Ave & Camelback Rd.....		22:00	
59th Ave & Thomas Rd.....	15:34	59th Ave & Thomas Rd.....		18:34		Desert Sky TC.....		22:08	
59th Ave & Van Buren St.....	15:43	59th Ave & Van Buren St.....		18:43		75th Ave & Van Buren St.....		22:17	
59th Ave & Buckeye Rd.....	15:46	59th Ave & Buckeye Rd.....		18:46		75th Ave & Lower Buckeye Rd		22:21	
Deadhead		Deadhead				Deadhead			
59th Ave & Buckeye Rd.....	15:46	59th Ave & Buckeye Rd.....		18:46		75th Ave & Lower Buckeye Rd		22:46	
51st Ave & Hadley St.....	15:50	51st Ave & Hadley St.....		18:50		Sierra Linda HS-North.....		22:51	
Deadhead		Deadhead				67 / North / 250 / 20165968			
51st Ave & Hadley St.....	16:19	51st Ave & Hadley St.....		19:22		Sierra Linda HS-North.....		22:51	
59th Ave & Buckeye Rd.....	16:23	59th Ave & Buckeye Rd.....		19:26		67th Ave & Van Buren St.....		22:57	
59 / North / 266 / 20165810		59 / North / 266 / 20165812				67th Ave & Thomas Rd.....		23:04	
59th Ave & Buckeye Rd.....	16:23	59th Ave & Buckeye Rd.....		19:26		67th Ave & Camelback Rd.....		23:10	
59th Ave & Van Buren St.....	16:25	59th Ave & Van Buren St.....		19:28		Pull In			
59th Ave & Thomas Rd.....	16:34	59th Ave & Thomas Rd.....		19:36		67th Ave & Camelback Rd.....		23:10	
59th Ave & Camelback Rd.....	16:43	59th Ave & Camelback Rd.....		19:43		West Transit Facility.....		23:26	

Phoenix West

Effective: 01/22/2024

2114
Sunday

Duty Type	Block	Report Time	Start Place	Start Time	End Time	End Place	Clear Time	Paid Time	Seat Time
ST	CAR 2029	14:14	WEST 75BU	14:19 14:29	14:29 22:35	75BU WEST	22:35	8h21	5h40

Sign-on	14:14	13 / East / 36 / 20165388				13 / West / 120 / 20165698				
		75th Ave & Buckeye Rd.....	17:00			Sky Harbor West.....			19:45	
Travel by	CAR	59th Ave & Buckeye Rd.....	17:04			16th St & Buckeye Rd.....			19:52	
		43rd Ave & Buckeye Rd.....	17:09			Central Ave & Buckeye Rd.....			19:57	
Car Pull		19th Ave & Buckeye Rd.....	17:19			19th Ave & Buckeye Rd.....			20:03	
West Transit Facility.....	14:19	Central Ave & Buckeye Rd.....	17:25			43rd Ave & Buckeye Rd.....			20:13	
75th Ave & Buckeye Rd.....	14:29	16th St & Buckeye Rd.....	17:30			59th Ave & Buckeye Rd.....			20:19	
		Sky Harbor West.....	17:37			Buckeye Rd & 75th Av Westb			20:25	
Block	2029	-----			-----			-----		
		13 / West / 120 / 20165692				Deadhead				
		Sky Harbor West.....	17:45			Buckeye Rd & 75th Av Westb			20:25	
		16th St & Buckeye Rd.....	17:52			75th Ave & Buckeye Rd.....			20:29	
		Central Ave & Buckeye Rd.....	17:57			-----				
		43rd Ave & Buckeye Rd.....	18:03			13 / East / 36 / 20165678				
		19th Ave & Buckeye Rd.....	18:03			75th Ave & Buckeye Rd.....			21:00	
		43rd Ave & Buckeye Rd.....	18:13			59th Ave & Buckeye Rd.....			21:04	
		59th Ave & Buckeye Rd.....	18:19			43rd Ave & Buckeye Rd.....			21:09	
		Buckeye Rd & 75th Av Westb	18:25			19th Ave & Buckeye Rd.....			21:19	
		-----			-----			-----		
		Deadhead				Central Ave & Buckeye Rd.....			21:25	
		Buckeye Rd & 75th Av Westb	18:25			16th St & Buckeye Rd.....			21:30	
		75th Ave & Buckeye Rd.....	18:29			Sky Harbor West.....			21:37	
		-----			-----			-----		
		13 / East / 36 / 20165407				13 / West / 120 / 20165702				
		75th Ave & Buckeye Rd.....	19:00			Sky Harbor West.....			21:45	
		59th Ave & Buckeye Rd.....	19:04			16th St & Buckeye Rd.....			21:52	
		43rd Ave & Buckeye Rd.....	19:09			Central Ave & Buckeye Rd.....			21:57	
		19th Ave & Buckeye Rd.....	19:19			19th Ave & Buckeye Rd.....			22:03	
		Central Ave & Buckeye Rd.....	19:25			43rd Ave & Buckeye Rd.....			22:13	
		16th St & Buckeye Rd.....	19:30			59th Ave & Buckeye Rd.....			22:19	
		Sky Harbor West.....	19:37			Buckeye Rd & 75th Av Westb			22:25	
		-----			-----			-----		
		Deadhead				Pull In				
		Buckeye Rd & 75th Av Westb	16:25			Buckeye Rd & 75th Av Westb			22:25	
		75th Ave & Buckeye Rd.....	16:29			West Transit Facility.....			22:35	
		-----			-----			-----		

Phoenix West

Effective: 01/22/2024

2115
Sunday

Duty Type	Block	Report Time	Start Place	Start Time	End Time	End Place	Clear Time	Paid Time	Seat Time
ST	CAR 2015	14:12	WEST 94TH	14:17 14:31	14:31 21:16	94TH WEST	21:16	7h04	6h02

Sign-on	14:12	29 / West / 199 / 20165528	41 / East / 172 / 20165550
		Pima Park.....	16:54 107th Ave & Indian School Rd. 18:49
Travel by	CAR	Scottsdale Rd & Thomas Rd.....	16:59 83rd Ave & Indian School Rd..... 18:57
		56th St & Thomas Rd.....	17:05 59th Ave & Indian School Rd..... 19:08
Car Pull		44th St & Thomas Rd.....	17:14 43rd Ave & Indian School Rd..... 19:17
West Transit Facility.....	14:17	24th St & Thomas Rd.....	17:28 19th Ave & Indian School Rd..... 19:31
94th Av Layover.....	14:31	Central Ave & Thomas Rd.....	17:40 Central Ave & Indian School Rd. 19:40
		19th Ave & Thomas Rd.....	17:47 Central Ave & Indian School Rd. 19:44
Block	2015	35th Ave & Thomas Rd.....	17:56 24th St & Indian School Rd..... 19:58
		51st Ave & Thomas Rd.....	18:03 32nd St & Indian School Rd..... 20:01
Deadhead		67th Ave & Thomas Rd.....	18:10 44th St & Indian School Rd..... 20:08
94th Av Layover.....	14:59	Desert Sky TC.....	18:19 56th St & Indian School Rd..... 20:11
93rd Ave & Thomas Rd.....	15:00	Desert Sky TC.....	18:22 Scottsdale Rd & Indian School 20:18
		93rd Ave & Thomas Rd.....	18:28 Granite Reef Rd & Indian Sch 20:26
29 / East / 31 / 20165487		Deadhead	Pull In
93rd Ave & Thomas Rd.....	15:00	93rd Ave & Thomas Rd.....	18:28 Granite Reef Rd & Indian Sch 20:26
Thomas Rd at Desert Sky TC....	15:06	107th Ave & Indian School Rd.	18:36 West Transit Facility..... 21:16
67th Ave & Thomas Rd.....	15:13		
51st Ave & Thomas Rd.....	15:23		
35th Ave & Thomas Rd.....	15:32		
19th Ave & Thomas Rd.....	15:42		
Central Ave & Thomas Rd.....	15:50		
24th St & Thomas Rd.....	16:03		
44th St & Thomas Rd.....	16:18		
56th St & Thomas Rd.....	16:25		
Scottsdale Rd & Thomas Rd.....	16:31		
Pima Park.....	16:38		

Phoenix West

Effective: 01/22/2024

2116
Sunday

Duty Type	Block	Report Time	Start Place	Start Time	End Time	End Place	Clear Time	Paid Time	Seat Time
ST	CAR 2033	14:17	WEST 67VB	14:22 14:32	14:32 23:31	67VB WEST	23:31	9h14	6h28

Sign-on	14:17	Deadhead				Deadhead			
		75th Ave & Camelback Rd.....		16:55		83rd Ave & Camelback Rd.....		20:20	
Travel by	CAR	83rd Ave & Camelback Rd.....		16:58		75th Ave & Camelback Rd.....		20:23	
Car Pull		83 / South / 155 / 20165456				75 / South / 149 / 20165427			
West Transit Facility.....	14:22	83rd Ave & Camelback Rd.....		17:05		75th Ave & Camelback Rd.....		20:30	
67th Ave & Van Buren St.....	14:32	Desert Sky TC.....		17:11		Desert Sky TC.....		20:38	
		83rd Ave & Van Buren St.....		17:21		75th Ave & Van Buren St.....		20:49	
Block	2033					75th Ave & Lower Buckeye Rd		20:53	
		Deadhead				Deadhead			
67 / South / 254 / 20165224		83rd Ave & Van Buren St.....		17:21		75th Ave & Lower Buckeye Rd		21:16	
67th Ave & Van Buren St.....	14:32	83rd Ave & Van Buren St.....		17:25		Sierra Linda HS-North.....		21:21	
Sierra Linda HS-South.....	14:41								
		83 / North / 183 / 20165852				67 / North / 250 / 20165833			
Deadhead		83rd Ave & Van Buren St.....		17:32		Sierra Linda HS-North.....		21:21	
Sierra Linda HS-South.....	14:41	Desert Sky TC.....		17:42		67th Ave & Van Buren St.....		21:27	
75th Ave & Lower Buckeye Rd	14:46	83rd Ave & Camelback Rd.....		17:51		67th Ave & Thomas Rd.....		21:34	
		83rd Ave & Glendale Ave.....		17:56		67th Ave & Camelback Rd.....		21:40	
75 / North / 147 / 20165912		83rd Ave & Peoria Ave.....		18:08					
75th Ave & Lower Buckeye Rd	14:55	83rd Ave & Thunderbird Rd.....		18:14					
75th Ave & Van Buren St.....	15:00	Arrowhead Mall North.....		18:25		Deadhead			
Desert Sky TC.....	15:14					67th Ave & Camelback Rd.....		21:40	
75th Ave & Camelback Rd.....	15:25					67th Ave & Camelback Rd.....		21:46	
		Deadhead							
Deadhead		Arrowhead Mall North.....		18:25		67 / South / 254 / 20165970			
75th Ave & Camelback Rd.....	15:25	Arrowhead Mall Layover.....		18:27		67th Ave & Camelback Rd.....		22:15	
67th Ave & Camelback Rd.....	15:28					67th Ave & Thomas Rd.....		22:22	
		Deadhead				67th Ave & Van Buren St.....		22:30	
67 / South / 254 / 20165901		Arrowhead Mall Layover.....		19:00		Sierra Linda HS-South.....		22:37	
67th Ave & Camelback Rd.....	15:45	Arrowhead Mall North.....		19:02					
67th Ave & Thomas Rd.....	15:53	83 / South / 155 / 20165872				Deadhead			
67th Ave & Van Buren St.....	16:03	Arrowhead Mall North.....		19:02		Sierra Linda HS-South.....		22:37	
Sierra Linda HS-South.....	16:12	83rd Ave & Thunderbird Rd.....		19:12		75th Ave & Lower Buckeye Rd		22:42	
		83rd Ave & Peoria Ave.....		19:18					
Deadhead		83rd Ave & Glendale Ave.....		19:30		75 / North / 147 / 20165977			
Sierra Linda HS-South.....	16:12	83rd Ave & Camelback Rd.....		19:35		75th Ave & Lower Buckeye Rd		22:55	
75th Ave & Lower Buckeye Rd	16:17	Desert Sky TC.....		19:41		75th Ave & Van Buren St.....		22:59	
		83rd Ave & Van Buren St.....		19:50		Desert Sky TC.....		23:08	
75 / North / 147 / 20165440						75th Ave & Camelback Rd.....		23:16	
75th Ave & Lower Buckeye Rd	16:25	Deadhead							
75th Ave & Van Buren St.....	16:30	83rd Ave & Van Buren St.....		19:50		Pull In			
Desert Sky TC.....	16:44	83rd Ave & Van Buren St.....		19:54		75th Ave & Camelback Rd.....		23:16	
75th Ave & Camelback Rd.....	16:55					West Transit Facility.....		23:31	
		83 / North / 153 / 20165476							
		83rd Ave & Van Buren St.....		20:02					
		Desert Sky TC.....		20:12					
		83rd Ave & Camelback Rd.....		20:20					

Phoenix West

Effective: 01/22/2024

2117
Sunday

Duty Type	Block	Report Time	Start Place	Start Time	End Time	End Place	Clear Time	Paid Time	Seat Time
ST	CAR 2040	14:19	WEST 107I-E	14:24 14:42	14:42 24:50	107I-E WEST	24:50	10h31	8h26

Sign-on	14:19	41 / West / 724 / 20165588	29 / West / 199 / 20165707
		Granite Reef Rd & Indian Sch	56th St & Thomas Rd.....
Travel by	CAR	Scottsdale Rd & Indian School	17:26 21:39
		56th St & Indian School Rd.....	17:31 21:46
Car Pull		44th St & Indian School Rd.....	17:38 21:58
West Transit Facility.....	14:24	44th St & Indian School Rd.....	17:42 22:10
107th Ave & Indian School Rd.	14:42	32nd St & Indian School Rd.....	17:48 22:16
		24th St & Indian School Rd.....	17:53 22:24
		Central Ave & Indian School Rd.	18:05 22:30
Block	2040	Central Ave & Indian School Rd.	18:09 22:36
		19th Ave & Indian School Rd.....	18:16 22:44
		43rd Ave & Indian School Rd.....	18:32 22:47
41 / East / 172 / 20165560		59th Ave & Indian School Rd.....	18:41 93rd Ave & Thomas Rd.....
107th Ave & Indian School Rd.	15:17	83rd Ave & Indian School Rd.....	19:04 22:52
83rd Ave & Indian School Rd.....	15:25	83rd Ave & Indian School Rd.....	
59th Ave & Indian School Rd.....	15:36	107th Ave & Indian School Rd.	19:04
43rd Ave & Indian School Rd.....	15:45		Deadhead
19th Ave & Indian School Rd.....	16:01		93rd Ave & Thomas Rd.....
Central Ave & Indian School Rd.	16:10	Deadhead	94th Av Layover.....
Central Ave & Indian School Rd.	16:14	107th Ave & Indian School Rd.	22:52
24th St & Indian School Rd.....	16:28	93rd Ave & Thomas Rd.....	22:53
32nd St & Indian School Rd.....	16:32		Deadhead
44th St & Indian School Rd.....	16:39	29 / East / 31 / 20165505	
56th St & Indian School Rd.....	16:42	93rd Ave & Thomas Rd.....	19:35
Scottsdale Rd & Indian School	16:49	Thomas Rd at Desert Sky TC....	19:41
Granite Reef Rd & Indian Sch	16:57	67th Ave & Thomas Rd.....	19:48
		51st Ave & Thomas Rd.....	19:56
		35th Ave & Thomas Rd.....	20:04
Deadhead		19th Ave & Thomas Rd.....	20:13
Granite Reef Rd & Indian Sch	16:57	Central Ave & Thomas Rd.....	20:20
Pima Rd & Chaparral Rd.....	17:01	24th St & Thomas Rd.....	20:31
		44th St & Thomas Rd.....	20:41
Deadhead		56th St & Thomas Rd.....	20:48
Pima Rd & Chaparral Rd.....	17:22	Scottsdale Rd & Thomas Rd.....	20:53
Granite Reef Rd & Indian Sch	17:26	Pima Park.....	21:00
		Deadhead	Pull In
		Pima Park.....	56th St & Thomas Rd.....
		56th St & Thomas Rd.....	24:15
			West Transit Facility.....
			24:50

Phoenix West

Effective: 01/22/2024

2118
Sunday

Duty Type	Block	Report Time	Start Place	Start Time	End Time	End Place	Clear Time	Paid Time	Seat Time
ST	CAR 2007	14:22	WEST 83VB	14:27 14:35	14:35 23:36	83VB WEST	23:36	9h14	7h23

Sign-on	14:22	Deadhead	3 / East / 181 / 20165656
Travel by	CAR	83rd Ave & Van Buren St..... 17:31	83rd Ave & Van Buren St..... 20:55
Car Pull		3 / East / 86 / 20165618	67th Ave & Van Buren St..... 21:00
West Transit Facility..... 14:27	14:27	83rd Ave & Van Buren St..... 17:55	51st Ave & Van Buren St..... 21:09
83rd Ave & Van Buren St..... 14:35	14:35	67th Ave & Van Buren St..... 18:00	35th Ave & Van Buren St..... 21:18
Block	2007	51st Ave & Van Buren St..... 18:09	19th Ave & Van Buren St..... 21:26
		35th Ave & Van Buren St..... 18:18	Central Ave & Van Buren St..... 21:35
		19th Ave & Van Buren St..... 18:26	24th St & Van Buren St..... 21:46
		Central Ave & Van Buren St..... 18:35	44th St & Van Buren St..... 21:55
		24th St & Van Buren St..... 18:46	Galvin Pkwy & Van Buren St... 22:02
		44th St & Van Buren St..... 18:55	Deadhead
		Galvin Pkwy & Van Buren St..... 19:02	Galvin Pkwy & Van Buren St... 22:02
		Phoenix Zoo..... 19:06	Galvin Pkwy & Van Buren St... 22:08
		3 / West / 104 / 20165650	
		Phoenix Zoo..... 19:21	3 / West / 104 / 20165926
		Galvin Pkwy & Van Buren St..... 19:24	Galvin Pkwy & Van Buren St... 22:24
		44th St & Van Buren St..... 19:30	44th St & Van Buren St..... 22:30
		24th St & Van Buren St..... 19:38	24th St & Van Buren St..... 22:38
		2nd Ave & Van Buren St..... 19:50	2nd Ave & Van Buren St..... 22:50
		19th Ave & Van Buren St..... 19:58	19th Ave & Van Buren St..... 22:58
		35th Ave & Van Buren St..... 20:07	35th Ave & Van Buren St..... 23:07
		51st Ave & Van Buren St..... 20:16	51st Ave & Van Buren St..... 23:16
		67th Ave & Van Buren St..... 20:23	67th Ave & Van Buren St..... 23:23
		83rd Ave & Van Buren St..... 20:31	83rd Ave & Van Buren St..... 23:31
		Deadhead	
		83rd Ave & Van Buren St..... 20:31	Pull In
		83rd Ave & Van Buren St..... 20:35	83rd Ave & Van Buren St..... 23:31
			West Transit Facility..... 23:36

Phoenix West

Effective: 01/22/2024

2119
Sunday

Duty Type	Block	Report Time	Start Place	Start Time	End Time	End Place	Clear Time	Paid Time	Seat Time
ST	CAR 2024	14:25	WEST 99MC	14:30 14:42	14:42 23:42	99MC WEST	23:42	9h17	8h03

Sign-on	14:25	17 / West / 253 / 20165365				17 / West / 253 / 20165662			
		Pima Rd & McDowell Rd.....	17:02			52nd St & McDowell Rd.....		20:50	
Travel by	CAR	Scottsdale Rd & McDowell Rd....	17:09			44th St & McDowell Rd.....		20:53	
		52nd St & McDowell Rd.....	17:16			24th St & McDowell Rd.....		21:03	
Car Pull		44th St & McDowell Rd.....	17:19			Central Ave & McDowell Rd.....		21:13	
West Transit Facility.....	14:30	24th St & McDowell Rd.....	17:31			19th Ave & McDowell Rd.....		21:18	
99th Ave & McDowell Rd.....	14:42	Central Ave & McDowell Rd.....	17:43			43rd Ave & McDowell Rd.....		21:30	
		19th Ave & McDowell Rd.....	17:51			67th Ave & McDowell Rd.....		21:39	
Block	2024	43rd Ave & McDowell Rd.....	18:06			83rd Ave & McDowell Rd.....		21:46	
		67th Ave & McDowell Rd.....	18:20			99th Ave & McDowell Rd.....		21:53	
		83rd Ave & McDowell Rd.....	18:27			-----			
17 / East / 132 / 20165347		99th Ave & McDowell Rd.....	14:54			Deadhead			
		83rd Ave & McDowell Rd.....	15:02			99th Ave & McDowell Rd.....		21:53	
		67th Ave & McDowell Rd.....	15:09			99th Ave & McDowell Rd.....		22:00	
		43rd Ave & McDowell Rd.....	15:22			-----			
		19th Ave & McDowell Rd.....	15:37			17 / East / 255 / 20165938			
		Central Ave & McDowell Rd.....	15:47			99th Ave & McDowell Rd.....		22:09	
		24th St & McDowell Rd.....	15:59			83rd Ave & McDowell Rd.....		22:15	
		44th St & McDowell Rd.....	16:11			67th Ave & McDowell Rd.....		22:21	
		52nd St & McDowell Rd.....	16:14			43rd Ave & McDowell Rd.....		22:30	
		Scottsdale Rd & McDowell Rd....	16:22			19th Ave & McDowell Rd.....		22:41	
		Pima Rd & McDowell Rd.....	16:30			Central Ave & McDowell Rd.....		22:47	
		-----				24th St & McDowell Rd.....		22:57	
Deadhead		19th Ave & McDowell Rd.....	19:37			44th St & McDowell Rd.....		23:06	
		Central Ave & McDowell Rd.....	19:47			52nd St & McDowell Rd.....		23:09	
Pima Rd & McDowell Rd.....	16:30	24th St & McDowell Rd.....	19:59			-----			
Pima Rd & McDowell Rd.....	16:37	44th St & McDowell Rd.....	20:08			Pull In			
		-----				52nd St & McDowell Rd.....		23:09	
		52nd St & McDowell Rd.....	20:11			West Transit Facility.....		23:42	
		Scottsdale Rd & McDowell Rd....	20:17			-----			
		Pima Rd & McDowell Rd.....	20:24			Deadhead			
		-----				Pima Rd & McDowell Rd.....		20:24	
						52nd St & McDowell Rd.....		20:39	
		-----				-----			

Phoenix West

Effective: 01/22/2024

2120
Sunday

Duty Type	Block	Report Time	Start Place	Start Time	End Time	End Place	Clear Time	Paid Time	Seat Time
ST	CAR 2037	14:28	WEST 51VB	14:33 14:45	14:45 23:35	51VB WEST	23:35	9h07	7h06

Sign-on	14:28	51 / South / 27 / 20165759	51 / South / 28 / 20165785
		ASU West Campus.....	ASU West Campus.....
Travel by	CAR	51st Ave & Olive Ave.....	51st Ave & Olive Ave.....
		51st Ave & Glendale Ave.....	51st Ave & Glendale Ave.....
Car Pull		51st Ave & Camelback Rd.....	51st Ave & Camelback Rd.....
West Transit Facility.....	14:33	51st Ave & Thomas Rd.....	51st Ave & Thomas Rd.....
51st Ave & Van Buren St.....	14:45	51st Ave & Van Buren St.....	51st Ave & Van Buren St.....
		51st Ave & Lower Buckeye Rd...	51st Ave & Lower Buckeye Rd...
Block	2037	51st Ave & Baseline Rd.....	51st Ave & Baseline Rd.....
		-----	Vee Quiva Casino.....
51 / South / 28 / 20165288		Deadhead	Komatke Health Center.....
51st Ave & Van Buren St.....	14:45	51st Ave & Baseline Rd.....	51st Ave & Pecos Rd.....
51st Ave & Lower Buckeye Rd...	14:50	51st Ave & Baseline Rd.....	-----
51st Ave & Baseline Rd.....	14:58	-----	51 / North / 206 / 20165957
Vee Quiva Casino.....	15:10	51 / North / 206 / 20165776	51st Ave & Pecos Rd.....
Komatke Health Center.....	15:22	51st Ave & Baseline Rd.....	Vee Quiva Casino.....
51st Ave & Pecos Rd.....	15:26	51st Ave & Lower Buckeye Rd...	51st Ave & Baseline Rd.....
-----		51st Ave & Van Buren St.....	51st Ave & Lower Buckeye Rd...
51 / North / 206 / 20165276		51st Ave & Thomas Rd.....	51st Ave & Van Buren St.....
51st Ave & Pecos Rd.....	15:50	51st Ave & Camelback Rd.....	51st Ave & Thomas Rd.....
Vee Quiva Casino.....	16:00	51st Ave & Glendale Ave.....	51st Ave & Camelback Rd.....
51st Ave & Baseline Rd.....	16:12	51st Ave & Olive Ave.....	51st Ave & Glendale Ave.....
51st Ave & Lower Buckeye Rd...	16:19	ASU West Campus.....	51st Ave & Olive Ave.....
51st Ave & Van Buren St.....	16:26	-----	ASU West Campus.....
51st Ave & Thomas Rd.....	16:35	-----	-----
51st Ave & Camelback Rd.....	16:43		Pull In
51st Ave & Glendale Ave.....	16:48		ASU West Campus.....
51st Ave & Olive Ave.....	16:55		West Transit Facility.....
ASU West Campus.....	17:06		-----

Phoenix West

Effective: 01/22/2024

2121
Sunday

Duty Type	Block	Report Time	Start Place	Start Time	End Time	End Place	Clear Time	Paid Time	Seat Time
ST	CAR 2036	14:41	WEST 75LB	14:46 14:56	14:56 23:35	75LB WEST	23:35	8h54	6h24

Sign-on	14:41	75 / North / 147 / 20165907				83 / North / 183 / 20165884			
		75th Ave & Lower Buckeye Rd	17:55			83rd Ave & Van Buren St.....		20:34	
Travel by	CAR	75th Ave & Van Buren St.....	18:00			Desert Sky TC.....		20:42	
		Desert Sky TC.....	18:14			83rd Ave & Camelback Rd.....		20:50	
Car Pull		75th Ave & Camelback Rd.....	18:24			83rd Ave & Glendale Ave.....		20:55	
West Transit Facility.....	14:46					83rd Ave & Peoria Ave.....		21:05	
75th Ave & Lower Buckeye Rd	14:56	Deadhead				83rd Ave & Thunderbird Rd.....		21:11	
		75th Ave & Camelback Rd.....	18:24			Arrowhead Mall North.....		21:20	
Block	2036	67th Ave & Camelback Rd.....	18:27						
						Deadhead			
Deadhead		67 / South / 254 / 20165903				Arrowhead Mall North.....		21:20	
75th Ave & Lower Buckeye Rd	15:10	67th Ave & Camelback Rd.....	18:45			Arrowhead Mall Layover.....		21:22	
Sierra Linda HS-North.....	15:15	67th Ave & Thomas Rd.....	18:52						
		67th Ave & Van Buren St.....	19:00			Deadhead			
		Sierra Linda HS-South.....	19:08			Arrowhead Mall Layover.....		22:02	
67 / North / 108 / 20165211						Arrowhead Mall North.....		22:04	
Sierra Linda HS-North.....	15:15	Deadhead							
67th Ave & Van Buren St.....	15:24	Sierra Linda HS-South.....	19:08			83 / South / 155 / 20165973			
67th Ave & Thomas Rd.....	15:33	75th Ave & Lower Buckeye Rd	19:13			Arrowhead Mall North.....		22:04	
67th Ave & Camelback Rd.....	15:40					83rd Ave & Thunderbird Rd.....		22:13	
67th Ave & Glendale Ave.....	15:50	75 / North / 147 / 20165439				83rd Ave & Peoria Ave.....		22:19	
67th Ave & Olive Ave.....	15:56	75th Ave & Lower Buckeye Rd	19:25			83rd Ave & Glendale Ave.....		22:30	
67th Ave & Thunderbird Rd.....	16:06	75th Ave & Van Buren St.....	19:30			83rd Ave & Camelback Rd.....		22:35	
67th Ave & Union Hills Dr.....	16:16	Desert Sky TC.....	19:41			Desert Sky TC.....		22:41	
		75th Ave & Camelback Rd.....	19:51			83rd Ave & Van Buren St.....		22:49	
Deadhead									
67th Ave & Union Hills Dr.....	16:16	Deadhead				Deadhead			
67th Ave & Union Hills Dr.....	16:21	75th Ave & Camelback Rd.....	19:51			83rd Ave & Van Buren St.....		22:49	
		83rd Ave & Camelback Rd.....	19:54			83rd Ave & Van Buren St.....		22:53	
67 / South / 254 / 20165227									
67th Ave & Union Hills Dr.....	16:39	83 / South / 155 / 20165460				83 / North / 153 / 20165975			
67th Ave & Thunderbird Rd.....	16:50	83rd Ave & Camelback Rd.....	20:05			83rd Ave & Van Buren St.....		23:05	
67th Ave & Olive Ave.....	16:59	Desert Sky TC.....	20:11			Desert Sky TC.....		23:12	
67th Ave & Glendale Ave.....	17:06	83rd Ave & Van Buren St.....	20:20			83rd Ave & Camelback Rd.....		23:20	
67th Ave & Camelback Rd.....	17:15								
67th Ave & Thomas Rd.....	17:23	Deadhead				Pull In			
67th Ave & Van Buren St.....	17:31	83rd Ave & Van Buren St.....	20:20			83rd Ave & Camelback Rd.....		23:20	
Sierra Linda HS-South.....	17:40	83rd Ave & Van Buren St.....	20:24			West Transit Facility.....		23:35	
Deadhead									
Sierra Linda HS-South.....	17:40								
75th Ave & Lower Buckeye Rd	17:45								

Phoenix West

Effective: 01/22/2024

2122
Sunday

Duty Type	Block	Report Time	Start Place	Start Time	End Time	End Place	Clear Time	Paid Time	Seat Time
ST	CAR 2049	14:44	WEST 75BU	14:49 14:59	14:59 23:56	75BU WEST	23:56	9h12	6h26

Sign-on	14:44	13 / West / 120 / 20165399				13 / East / 36 / 20165683			
		Sky Harbor West.....	18:15			75th Ave & Buckeye Rd.....		21:30	
Travel by	CAR	16th St & Buckeye Rd.....	18:22			59th Ave & Buckeye Rd.....		21:34	
		Central Ave & Buckeye Rd.....	18:27			43rd Ave & Buckeye Rd.....		21:39	
Car Pull		19th Ave & Buckeye Rd.....	18:33			19th Ave & Buckeye Rd.....		21:49	
West Transit Facility.....	14:49	43rd Ave & Buckeye Rd.....	18:43			Central Ave & Buckeye Rd.....		21:55	
75th Ave & Buckeye Rd.....	14:59	59th Ave & Buckeye Rd.....	18:49			16th St & Buckeye Rd.....		22:00	
		Buckeye Rd & 75th Av Westb	18:55			Sky Harbor West.....		22:07	
Block	2049	Deadhead				13 / West / 120 / 20165928			
		13 / East / 36 / 20165675				Sky Harbor West.....		22:15	
		75th Ave & Buckeye Rd.....	15:30			16th St & Buckeye Rd.....		22:22	
		59th Ave & Buckeye Rd.....	15:34			Central Ave & Buckeye Rd.....		22:27	
		43rd Ave & Buckeye Rd.....	15:39			19th Ave & Buckeye Rd.....		22:33	
		19th Ave & Buckeye Rd.....	15:49			43rd Ave & Buckeye Rd.....		22:43	
		Central Ave & Buckeye Rd.....	15:55			59th Ave & Buckeye Rd.....		22:48	
		16th St & Buckeye Rd.....	16:00			Buckeye Rd & 75th Av Westb		22:53	
		Sky Harbor West.....	16:07			Deadhead			
		13 / West / 120 / 20165392					Buckeye Rd & 75th Av Westb		22:53
		Sky Harbor West.....	16:15			75th Ave & Buckeye Rd.....		22:57	
		16th St & Buckeye Rd.....	16:22			Deadhead			
		Central Ave & Buckeye Rd.....	16:27			13 / East / 36 / 20165925			
		19th Ave & Buckeye Rd.....	16:33			75th Ave & Buckeye Rd.....		23:02	
		43rd Ave & Buckeye Rd.....	16:43			59th Ave & Buckeye Rd.....		23:06	
		59th Ave & Buckeye Rd.....	16:49			43rd Ave & Buckeye Rd.....		23:11	
		Buckeye Rd & 75th Av Westb	16:55			19th Ave & Buckeye Rd.....		23:20	
		Deadhead				Central Ave & Buckeye Rd.....		23:25	
		Buckeye Rd & 75th Av Westb	16:55			16th St & Buckeye Rd.....		23:30	
		75th Ave & Buckeye Rd.....	16:59			Sky Harbor West.....		23:37	
		Deadhead				Pull In			
		13 / East / 36 / 20165677					Sky Harbor West.....		23:37
		75th Ave & Buckeye Rd.....	17:30			West Transit Facility.....		23:56	
		59th Ave & Buckeye Rd.....	17:34						
		43rd Ave & Buckeye Rd.....	17:39						
		19th Ave & Buckeye Rd.....	17:49						
		Central Ave & Buckeye Rd.....	17:55						
		16th St & Buckeye Rd.....	18:00						
		Sky Harbor West.....	18:07						

Phoenix West

Effective: 01/22/2024

2123
Sunday

Duty Type	Block	Report Time	Start Place	Start Time	End Time	End Place	Clear Time	Paid Time	Seat Time
ST	CAR 2059	14:44	WEST 44MC	14:49 15:19	15:19 24:03	44MC WEST	24:03	9h19	7h27

Sign-on	14:44	Deadhead				17 / East / 255 / 20165700			
		Pima Rd & McDowell Rd.....		18:30		99th Ave & McDowell Rd.....		21:09	
Travel by	CAR	Pima Rd & McDowell Rd.....		18:37		83rd Ave & McDowell Rd.....		21:15	
						67th Ave & McDowell Rd.....		21:21	
Car Pull		17 / West / 253 / 20165367				43rd Ave & McDowell Rd.....		21:30	
West Transit Facility.....	14:49	Pima Rd & McDowell Rd.....		19:02		19th Ave & McDowell Rd.....		21:41	
44th St & McDowell Rd.....	15:19	Scottsdale Rd & McDowell Rd....		19:09		Central Ave & McDowell Rd.....		21:47	
		52nd St & McDowell Rd.....		19:16		24th St & McDowell Rd.....		21:57	
Block	2059	44th St & McDowell Rd.....		19:19		44th St & McDowell Rd.....		22:06	
		24th St & McDowell Rd.....		19:31		52nd St & McDowell Rd.....		22:09	
		17 / West / 253 / 20165363							
44th St & McDowell Rd.....	15:19	Central Ave & McDowell Rd.....		19:43					
24th St & McDowell Rd.....	15:31	19th Ave & McDowell Rd.....		19:51		Deadhead			
Central Ave & McDowell Rd.....	15:43	43rd Ave & McDowell Rd.....		20:05		52nd St & McDowell Rd.....		22:09	
19th Ave & McDowell Rd.....	15:51	67th Ave & McDowell Rd.....		20:14		52nd St & McDowell Rd.....		22:14	
43rd Ave & McDowell Rd.....	16:06	83rd Ave & McDowell Rd.....		20:21					
67th Ave & McDowell Rd.....	16:20	99th Ave & McDowell Rd.....		20:28		17 / West / 253 / 20165933			
83rd Ave & McDowell Rd.....	16:27					52nd St & McDowell Rd.....		22:50	
99th Ave & McDowell Rd.....	16:35	Deadhead				44th St & McDowell Rd.....		22:53	
		99th Ave & McDowell Rd.....		20:28		24th St & McDowell Rd.....		23:03	
		99th Ave & McDowell Rd.....		20:35		Central Ave & McDowell Rd.....		23:13	
						19th Ave & McDowell Rd.....		23:18	
Deadhead						43rd Ave & McDowell Rd.....		23:30	
99th Ave & McDowell Rd.....	16:35					67th Ave & McDowell Rd.....		23:39	
99th Ave & McDowell Rd.....	16:42					83rd Ave & McDowell Rd.....		23:46	
						99th Ave & McDowell Rd.....		23:53	
		17 / East / 132 / 20165349							
99th Ave & McDowell Rd.....	16:54					Pull In			
83rd Ave & McDowell Rd.....	17:02					99th Ave & McDowell Rd.....		23:53	
67th Ave & McDowell Rd.....	17:09					West Transit Facility.....		24:03	
43rd Ave & McDowell Rd.....	17:22								
19th Ave & McDowell Rd.....	17:37								
Central Ave & McDowell Rd.....	17:47								
24th St & McDowell Rd.....	17:59								
44th St & McDowell Rd.....	18:11								
52nd St & McDowell Rd.....	18:14								
Scottsdale Rd & McDowell Rd....	18:22								
Pima Rd & McDowell Rd.....	18:30								

Phoenix West

Effective: 01/22/2024

2124
Sunday

Duty Type	Block	Report Time	Start Place	Start Time	End Time	End Place	Clear Time	Paid Time	Seat Time
ST	CAR 2041	14:42	WEST 94TH	14:47 15:01	15:01 24:39	94TH WEST	24:39	9h57	8h01

Sign-on	14:42	Deadhead				41 / West / 724 / 20165710			
		93rd Ave & Thomas Rd.....		18:58		56th St & Indian School Rd.....		21:15	
Travel by	CAR	107th Ave & Indian School Rd.		19:06		44th St & Indian School Rd.....		21:18	
						32nd St & Indian School Rd.....		21:23	
Car Pull		41 / East / 172 / 20165564				24th St & Indian School Rd.....		21:27	
West Transit Facility.....	14:47	107th Ave & Indian School Rd.		19:19		Central Ave & Indian School Rd.		21:35	
94th Av Layover.....	15:01	83rd Ave & Indian School Rd.....		19:27		Central Ave & Indian School Rd.		21:39	
		59th Ave & Indian School Rd.....		19:38		19th Ave & Indian School Rd.....		21:44	
Block	2041	43rd Ave & Indian School Rd.....		19:47		43rd Ave & Indian School Rd.....		21:55	
		19th Ave & Indian School Rd.....		20:01		59th Ave & Indian School Rd.....		22:02	
Deadhead		Central Ave & Indian School Rd.		20:10		83rd Ave & Indian School Rd.....		22:11	
94th Av Layover.....	15:29	Central Ave & Indian School Rd.		20:14		107th Ave & Indian School Rd.		22:21	
93rd Ave & Thomas Rd.....	15:30	24th St & Indian School Rd.....		20:24					
		32nd St & Indian School Rd.....		20:27		Deadhead			
29 / East / 31 / 20165502		44th St & Indian School Rd.....		20:31		107th Ave & Indian School Rd.		22:21	
93rd Ave & Thomas Rd.....	15:30	56th St & Indian School Rd.....		20:34		107th Ave & Indian School Rd.		22:27	
Thomas Rd at Desert Sky TC....	15:36	Scottsdale Rd & Indian School		20:41					
67th Ave & Thomas Rd.....	15:43	Granite Reef Rd & Indian Sch		20:49		41 / East / 267 / 20165950			
51st Ave & Thomas Rd.....	15:53					107th Ave & Indian School Rd.		23:03	
35th Ave & Thomas Rd.....	16:02	Deadhead				83rd Ave & Indian School Rd.....		23:11	
19th Ave & Thomas Rd.....	16:12	Granite Reef Rd & Indian Sch		20:49		59th Ave & Indian School Rd.....		23:19	
Central Ave & Thomas Rd.....	16:20	56th St & Indian School Rd.....		20:59		43rd Ave & Indian School Rd.....		23:26	
24th St & Thomas Rd.....	16:33					19th Ave & Indian School Rd.....		23:36	
44th St & Thomas Rd.....	16:45					Central Ave & Indian School Rd.		23:40	
56th St & Thomas Rd.....	16:52					Central Ave & Indian School Rd.		23:44	
Scottsdale Rd & Thomas Rd.....	16:58					24th St & Indian School Rd.....		23:54	
Pima Park.....	17:05					32nd St & Indian School Rd.....		23:57	
						44th St & Indian School Rd.....		24:01	
29 / West / 199 / 20165529						56th St & Indian School Rd.....		24:04	
Pima Park.....	17:23								
Scottsdale Rd & Thomas Rd.....	17:28					Pull In			
56th St & Thomas Rd.....	17:34					56th St & Indian School Rd.....		24:04	
44th St & Thomas Rd.....	17:43					West Transit Facility.....		24:39	
24th St & Thomas Rd.....	17:58								
Central Ave & Thomas Rd.....	18:10								
19th Ave & Thomas Rd.....	18:17								
35th Ave & Thomas Rd.....	18:26								
51st Ave & Thomas Rd.....	18:33								
67th Ave & Thomas Rd.....	18:40								
Desert Sky TC.....	18:49								
Desert Sky TC.....	18:52								
93rd Ave & Thomas Rd.....	18:58								

Phoenix West

Effective: 01/22/2024

2125
Sunday

Duty Type	Block	Report Time	Start Place	Start Time	End Time	End Place	Clear Time	Paid Time	Seat Time
ST	CAR 2043	14:49	WEST 107I-E	14:54 15:12	15:12 23:06	107I-E WEST	23:06	8h17	6h44

Sign-on	14:49	Deadhead				41 / East / 172 / 20165547			
		Pima Rd & Chaparral Rd.....		17:54		107th Ave & Indian School Rd.		19:53	
Travel by	CAR	Granite Reef Rd & Indian Sch		17:58		83rd Ave & Indian School Rd.....		20:01	
						59th Ave & Indian School Rd.....		20:12	
Car Pull		41 / West / 724 / 20165589				43rd Ave & Indian School Rd.....		20:19	
West Transit Facility.....	14:54	Granite Reef Rd & Indian Sch		17:58		19th Ave & Indian School Rd.....		20:31	
107th Ave & Indian School Rd.	15:12	Scottsdale Rd & Indian School		18:03		Central Ave & Indian School Rd.		20:40	
		56th St & Indian School Rd.....		18:10		Central Ave & Indian School Rd.		20:44	
Block	2043	44th St & Indian School Rd.....		18:14		24th St & Indian School Rd.....		20:54	
		32nd St & Indian School Rd.....		18:19		32nd St & Indian School Rd.....		20:57	
41 / East / 172 / 20165545		24th St & Indian School Rd.....		18:24		44th St & Indian School Rd.....		21:01	
107th Ave & Indian School Rd.	15:48	Central Ave & Indian School Rd.		18:35		56th St & Indian School Rd.....		21:04	
83rd Ave & Indian School Rd.....	15:57	Central Ave & Indian School Rd.		18:39		Scottsdale Rd & Indian School		21:11	
59th Ave & Indian School Rd.....	16:08	19th Ave & Indian School Rd.....		18:46		Granite Reef Rd & Indian Sch		21:19	
43rd Ave & Indian School Rd.....	16:17	43rd Ave & Indian School Rd.....		19:02					
19th Ave & Indian School Rd.....	16:31	59th Ave & Indian School Rd.....		19:11		Deadhead			
Central Ave & Indian School Rd.	16:40	83rd Ave & Indian School Rd.....		19:23		Granite Reef Rd & Indian Sch		21:19	
Central Ave & Indian School Rd.	16:44	107th Ave & Indian School Rd.		19:34		56th St & Indian School Rd.....		21:29	
24th St & Indian School Rd.....	16:58								
32nd St & Indian School Rd.....	17:02	Deadhead				41 / West / 724 / 20165717			
44th St & Indian School Rd.....	17:09	107th Ave & Indian School Rd.		19:34		56th St & Indian School Rd.....		21:45	
56th St & Indian School Rd.....	17:12	107th Ave & Indian School Rd.		19:40		44th St & Indian School Rd.....		21:48	
Scottsdale Rd & Indian School	17:19					32nd St & Indian School Rd.....		21:53	
Granite Reef Rd & Indian Sch	17:27					24th St & Indian School Rd.....		21:57	
						Central Ave & Indian School Rd.		22:05	
Deadhead						Central Ave & Indian School Rd.		22:09	
Granite Reef Rd & Indian Sch	17:27					19th Ave & Indian School Rd.....		22:14	
Pima Rd & Chaparral Rd.....	17:31					43rd Ave & Indian School Rd.....		22:25	
						59th Ave & Indian School Rd.....		22:32	
						83rd Ave & Indian School Rd.....		22:41	
						107th Ave & Indian School Rd.		22:51	
						Pull In			
						107th Ave & Indian School Rd.		22:51	
						West Transit Facility.....		23:06	

Phoenix West

Effective: 01/22/2024

2126
Sunday

Duty Type	Block	Report Time	Start Place	Start Time	End Time	End Place	Clear Time	Paid Time	Seat Time
ST	CAR 2046	14:55	WEST 99MC	15:00 15:12	15:12 24:12	99MC WEST	24:12	9h17	7h53

Sign-on	14:55	17 / West / 253 / 20165379	17 / West / 253 / 20165666
		Pima Rd & McDowell Rd.....	52nd St & McDowell Rd.....
Travel by	CAR	Scottsdale Rd & McDowell Rd....	44th St & McDowell Rd.....
		52nd St & McDowell Rd.....	24th St & McDowell Rd.....
Car Pull		44th St & McDowell Rd.....	Central Ave & McDowell Rd.....
West Transit Facility.....	15:00	24th St & McDowell Rd.....	19th Ave & McDowell Rd.....
99th Ave & McDowell Rd.....	15:12	Central Ave & McDowell Rd.....	43rd Ave & McDowell Rd.....
		19th Ave & McDowell Rd.....	67th Ave & McDowell Rd.....
Block	2046	43rd Ave & McDowell Rd.....	83rd Ave & McDowell Rd.....
		67th Ave & McDowell Rd.....	99th Ave & McDowell Rd.....
		83rd Ave & McDowell Rd.....	-----
17 / East / 132 / 20165337		99th Ave & McDowell Rd.....	Deadhead
	15:24	83rd Ave & McDowell Rd.....	99th Ave & McDowell Rd.....
	15:32	67th Ave & McDowell Rd.....	99th Ave & McDowell Rd.....
	15:39	43rd Ave & McDowell Rd.....	-----
	15:52	19th Ave & McDowell Rd.....	99th Ave & McDowell Rd.....
	16:07	Central Ave & McDowell Rd.....	99th Ave & McDowell Rd.....
	16:17	24th St & McDowell Rd.....	-----
	16:29	44th St & McDowell Rd.....	17 / East / 255 / 20165939
	16:41	52nd St & McDowell Rd.....	99th Ave & McDowell Rd.....
	16:44	Scottsdale Rd & McDowell Rd....	83rd Ave & McDowell Rd.....
	16:52	Pima Rd & McDowell Rd.....	67th Ave & McDowell Rd.....
-----		19th Ave & McDowell Rd.....	43rd Ave & McDowell Rd.....
Deadhead		Central Ave & McDowell Rd.....	19th Ave & McDowell Rd.....
Pima Rd & McDowell Rd.....	17:00	24th St & McDowell Rd.....	Central Ave & McDowell Rd.....
Pima Rd & McDowell Rd.....	17:07	44th St & McDowell Rd.....	24th St & McDowell Rd.....
-----		52nd St & McDowell Rd.....	44th St & McDowell Rd.....
		Scottsdale Rd & McDowell Rd....	52nd St & McDowell Rd.....
		Pima Rd & McDowell Rd.....	West Transit Facility.....
		-----	-----
		Deadhead	
		Pima Rd & McDowell Rd.....	
		52nd St & McDowell Rd.....	

Phoenix West

Effective: 01/22/2024

2127
Sunday

Duty Type	Block	Report Time	Start Place	Start Time	End Time	End Place	Clear Time	Paid Time	Seat Time
ST	CAR 2056	15:14	WEST 75BU	15:19 15:29	15:29 23:33	75BU WEST	23:33	8h19	5h38

Sign-on	15:14	13 / East / 36 / 20165411				13 / West / 120 / 20165699				
		75th Ave & Buckeye Rd.....	18:00			Sky Harbor West.....		20:45		
Travel by	CAR	59th Ave & Buckeye Rd.....	18:04			16th St & Buckeye Rd.....		20:52		
		43rd Ave & Buckeye Rd.....	18:09			Central Ave & Buckeye Rd.....		20:57		
Car Pull		19th Ave & Buckeye Rd.....	18:19			19th Ave & Buckeye Rd.....		21:03		
West Transit Facility.....	15:19	Central Ave & Buckeye Rd.....	18:25			43rd Ave & Buckeye Rd.....		21:13		
75th Ave & Buckeye Rd.....	15:29	16th St & Buckeye Rd.....	18:30			59th Ave & Buckeye Rd.....		21:19		
		Sky Harbor West.....	18:37			Buckeye Rd & 75th Av Westb		21:25		
Block	2056	-----			-----			-----		
		13 / West / 120 / 20165697				Deadhead				
		Sky Harbor West.....	18:45			Buckeye Rd & 75th Av Westb		21:25		
		16th St & Buckeye Rd.....	18:52			75th Ave & Buckeye Rd.....		21:29		
		Central Ave & Buckeye Rd.....	18:57			-----				
		43rd Ave & Buckeye Rd.....	19:03			13 / East / 36 / 20165931				
		19th Ave & Buckeye Rd.....	19:03			75th Ave & Buckeye Rd.....		22:00		
		43rd Ave & Buckeye Rd.....	19:13			59th Ave & Buckeye Rd.....		22:04		
		59th Ave & Buckeye Rd.....	19:19			43rd Ave & Buckeye Rd.....		22:09		
		Buckeye Rd & 75th Av Westb	19:25			19th Ave & Buckeye Rd.....		22:19		
		-----				Central Ave & Buckeye Rd.....		22:25		
		Deadhead				16th St & Buckeye Rd.....		22:30		
		Buckeye Rd & 75th Av Westb	19:25			Sky Harbor West.....		22:37		
		75th Ave & Buckeye Rd.....	19:29			-----				
		13 / East / 36 / 20165406				13 / West / 120 / 20165929				
		75th Ave & Buckeye Rd.....	20:00			Sky Harbor West.....		22:45		
		59th Ave & Buckeye Rd.....	20:04			16th St & Buckeye Rd.....		22:51		
		43rd Ave & Buckeye Rd.....	20:09			Central Ave & Buckeye Rd.....		22:56		
		19th Ave & Buckeye Rd.....	20:19			19th Ave & Buckeye Rd.....		23:02		
		Central Ave & Buckeye Rd.....	20:25			43rd Ave & Buckeye Rd.....		23:13		
		16th St & Buckeye Rd.....	20:30			59th Ave & Buckeye Rd.....		23:18		
		Sky Harbor West.....	20:37			Buckeye Rd & 75th Av Westb		23:23		
		-----				-----				
		Deadhead				Pull In				
		Buckeye Rd & 75th Av Westb	17:25			Buckeye Rd & 75th Av Westb		23:23		
		75th Ave & Buckeye Rd.....	17:29			West Transit Facility.....		23:33		

Phoenix West

Effective: 01/22/2024

2128
Sunday

Duty Type	Block	Report Time	Start Place	Start Time	End Time	End Place	Clear Time	Paid Time	Seat Time
ST	CAR 2008	15:12	WEST 94TH	15:17 15:31	15:31 23:35	94TH WEST	23:35	8h23	6h27

Sign-on	15:12	29 / West / 199 / 20165530	29 / East / 31 / 20165491
		Pima Park.....	17:55
Travel by	CAR	Scottsdale Rd & Thomas Rd.....	17:55
		56th St & Thomas Rd.....	18:00
Car Pull		44th St & Thomas Rd.....	18:06
West Transit Facility.....	15:17	24th St & Thomas Rd.....	18:13
94th Av Layover.....	15:31	Central Ave & Thomas Rd.....	18:28
		19th Ave & Thomas Rd.....	18:40
Block	2008	35th Ave & Thomas Rd.....	18:47
		51st Ave & Thomas Rd.....	18:56
Deadhead		67th Ave & Thomas Rd.....	19:03
94th Av Layover.....	16:00	Desert Sky TC.....	19:10
93rd Ave & Thomas Rd.....	16:01	Desert Sky TC.....	19:19
		93rd Ave & Thomas Rd.....	19:22
			19:28
29 / East / 31 / 20165484		Deadhead	
93rd Ave & Thomas Rd.....	16:01	93rd Ave & Thomas Rd.....	19:28
Thomas Rd at Desert Sky TC....	16:07	94th Av Layover.....	19:29
67th Ave & Thomas Rd.....	16:14		
51st Ave & Thomas Rd.....	16:24	Deadhead	
35th Ave & Thomas Rd.....	16:33	94th Av Layover.....	20:07
19th Ave & Thomas Rd.....	16:42	93rd Ave & Thomas Rd.....	20:08
Central Ave & Thomas Rd.....	16:50		
24th St & Thomas Rd.....	17:03	29 / West / 199 / 20165940	
44th St & Thomas Rd.....	17:15	56th St & Thomas Rd.....	22:09
56th St & Thomas Rd.....	17:22	44th St & Thomas Rd.....	22:16
Scottsdale Rd & Thomas Rd.....	17:28	24th St & Thomas Rd.....	22:28
Pima Park.....	17:35	Central Ave & Thomas Rd.....	22:40
		19th Ave & Thomas Rd.....	22:46
		35th Ave & Thomas Rd.....	22:54
		51st Ave & Thomas Rd.....	23:00
		67th Ave & Thomas Rd.....	23:06
		Desert Sky TC.....	23:14
		Desert Sky TC.....	23:17
		93rd Ave & Thomas Rd.....	23:22
		Pull In	
		93rd Ave & Thomas Rd.....	23:22
		West Transit Facility.....	23:35

Phoenix West

Effective: 01/22/2024

2129
Sunday

Duty Type	Block	Report Time	Start Place	Start Time	End Time	End Place	Clear Time	Paid Time	Seat Time
ST	CAR 2013	15:25	WEST 99MC	15:30 15:42	15:42 24:42	99MC WEST	24:42	9h17	7h23

Sign-on	15:25	17 / West / 253 / 20165366		17 / West / 253 / 20165667
		Pima Rd & McDowell Rd.....	18:02	52nd St & McDowell Rd..... 21:50
Travel by	CAR	Scottsdale Rd & McDowell Rd....	18:09	44th St & McDowell Rd..... 21:53
		52nd St & McDowell Rd.....	18:16	24th St & McDowell Rd..... 22:03
Car Pull		44th St & McDowell Rd.....	18:19	Central Ave & McDowell Rd..... 22:13
West Transit Facility.....	15:30	24th St & McDowell Rd.....	18:31	19th Ave & McDowell Rd..... 22:18
99th Ave & McDowell Rd.....	15:42	Central Ave & McDowell Rd.....	18:43	43rd Ave & McDowell Rd..... 22:30
		19th Ave & McDowell Rd.....	18:51	67th Ave & McDowell Rd..... 22:39
Block	2013	43rd Ave & McDowell Rd.....	19:06	83rd Ave & McDowell Rd..... 22:46
		67th Ave & McDowell Rd.....	19:20	99th Ave & McDowell Rd..... 22:53
		83rd Ave & McDowell Rd.....	19:27	-----
17 / East / 132 / 20165351		99th Ave & McDowell Rd.....	15:54	Deadhead
		83rd Ave & McDowell Rd.....	16:02	99th Ave & McDowell Rd..... 22:53
		67th Ave & McDowell Rd.....	16:09	99th Ave & McDowell Rd..... 23:00
		43rd Ave & McDowell Rd.....	16:22	-----
		19th Ave & McDowell Rd.....	16:37	17 / East / 255 / 20165935
		Central Ave & McDowell Rd.....	16:47	99th Ave & McDowell Rd..... 23:09
		24th St & McDowell Rd.....	16:59	83rd Ave & McDowell Rd..... 23:15
		44th St & McDowell Rd.....	17:11	67th Ave & McDowell Rd..... 23:21
		52nd St & McDowell Rd.....	17:14	43rd Ave & McDowell Rd..... 23:30
		Scottsdale Rd & McDowell Rd....	17:22	19th Ave & McDowell Rd..... 23:41
		Pima Rd & McDowell Rd.....	17:30	Central Ave & McDowell Rd..... 23:47
		-----	-----	24th St & McDowell Rd..... 23:57
Deadhead		19th Ave & McDowell Rd.....	20:41	44th St & McDowell Rd..... 24:06
Pima Rd & McDowell Rd.....	17:30	Central Ave & McDowell Rd.....	20:47	52nd St & McDowell Rd..... 24:09
Pima Rd & McDowell Rd.....	17:37	24th St & McDowell Rd.....	20:57	-----
		44th St & McDowell Rd.....	21:06	Pull In
		52nd St & McDowell Rd.....	21:09	52nd St & McDowell Rd..... 24:09
		-----	-----	West Transit Facility..... 24:42
		Deadhead		-----
		52nd St & McDowell Rd.....	21:09	
		52nd St & McDowell Rd.....	21:14	
		-----	-----	

Phoenix West

Effective: 01/22/2024

2130
Sunday

Duty Type	Block	Report Time	Start Place	Start Time	End Time	End Place	Clear Time	Paid Time	Seat Time
ST	CAR 2006	15:41	WEST 43LB	15:46 16:06	16:06 23:41	43LB WEST	23:41	8h00	6h16

Sign-on	15:41	Deadhead	43 / North / 182 / 20165736
Travel by	CAR	43rd Ave & Lower Buckeye Rd 18:28	43rd Ave & Lower Buckeye Rd 21:20
Car Pull		43 / North / 182 / 20165243	43rd Ave & Van Buren St..... 21:26
West Transit Facility..... 15:46		43rd Ave & Lower Buckeye Rd 18:48	43rd Ave & Thomas Rd..... 21:33
43rd Ave & Lower Buckeye Rd 16:06		43rd Ave & Van Buren St..... 18:54	43rd Ave & Camelback Rd..... 21:40
Block	2006	43rd Ave & Thomas Rd..... 19:02	43rd Ave & Glendale Ave..... 21:46
		43rd Ave & Camelback Rd..... 19:10	43rd Ave & Dunlap Ave..... 21:52
		43rd Ave & Glendale Ave..... 19:17	43rd Ave & Thunderbird Rd..... 21:59
		43rd Ave & Dunlap Ave..... 19:23	43rd Ave & Union Hills Dr..... 22:06
		43rd Ave & Thunderbird Rd..... 19:30	Deadhead
43 / North / 182 / 20165719		43rd Ave & Union Hills Dr..... 19:39	43rd Ave & Union Hills Dr..... 22:06
43rd Ave & Lower Buckeye Rd 16:16			43rd Ave & Union Hills Dr..... 22:13
43rd Ave & Van Buren St..... 16:22		Deadhead	
43rd Ave & Thomas Rd..... 16:32		43rd Ave & Union Hills Dr..... 19:39	43 / South / 207 / 20165952
43rd Ave & Camelback Rd..... 16:40		43rd Ave & Union Hills Dr..... 19:46	43rd Ave & Union Hills Dr..... 22:37
43rd Ave & Glendale Ave..... 16:47			43rd Ave & Thunderbird Rd..... 22:44
43rd Ave & Dunlap Ave..... 16:54		43 / South / 207 / 20165264	43rd Ave & Dunlap Ave..... 22:52
43rd Ave & Thunderbird Rd..... 17:01		43rd Ave & Union Hills Dr..... 20:05	43rd Ave & Glendale Ave..... 22:58
43rd Ave & Union Hills Dr..... 17:10		43rd Ave & Thunderbird Rd..... 20:12	43rd Ave & Camelback Rd..... 23:04
Deadhead		43rd Ave & Dunlap Ave..... 20:21	43rd Ave & Thomas Rd..... 23:11
43rd Ave & Union Hills Dr..... 17:10		43rd Ave & Glendale Ave..... 20:27	43rd Ave & Van Buren St..... 23:18
		43rd Ave & Camelback Rd..... 20:34	43rd Ave & Lower Buckeye Rd 23:26
43 / South / 207 / 20165742		43rd Ave & Thomas Rd..... 20:41	Deadhead
43rd Ave & Union Hills Dr..... 17:32		43rd Ave & Van Buren St..... 20:49	43 / South / 207 / 20165952
43rd Ave & Thunderbird Rd..... 17:40		43rd Ave & Lower Buckeye Rd 20:57	43rd Ave & Union Hills Dr..... 22:37
43rd Ave & Dunlap Ave..... 17:50			43rd Ave & Thunderbird Rd..... 22:44
43rd Ave & Glendale Ave..... 17:57		43rd Ave & Glendale Ave..... 20:27	43rd Ave & Dunlap Ave..... 22:52
43rd Ave & Camelback Rd..... 18:04		43rd Ave & Camelback Rd..... 20:34	43rd Ave & Glendale Ave..... 22:58
43rd Ave & Thomas Rd..... 18:12		43rd Ave & Thomas Rd..... 20:41	43rd Ave & Camelback Rd..... 23:04
43rd Ave & Van Buren St..... 18:20		43rd Ave & Van Buren St..... 20:49	43rd Ave & Thomas Rd..... 23:11
43rd Ave & Lower Buckeye Rd 18:28		43rd Ave & Lower Buckeye Rd 20:57	43rd Ave & Van Buren St..... 23:18
		43rd Ave & Lower Buckeye Rd 21:03	43rd Ave & Lower Buckeye Rd 23:26
			West Transit Facility..... 23:41

Phoenix West

Effective: 01/22/2024

2131
Sunday

Duty Type	Block	Report Time	Start Place	Start Time	End Time	End Place	Clear Time	Paid Time	Seat Time
ST	CAR 2065	15:49	WEST 107I-E	15:54 16:12	16:12 24:05	107I-E WEST	24:05	8h16	6h19

Sign-on	15:49	Deadhead				41 / East / 267 / 20165709			
		Pima Rd & Chaparral Rd.....		18:54		107th Ave & Indian School Rd.		20:59	
Travel by	CAR	Granite Reef Rd & Indian Sch		18:58		83rd Ave & Indian School Rd.....		21:07	
						59th Ave & Indian School Rd.....		21:17	
Car Pull		41 / West / 724 / 20165593				43rd Ave & Indian School Rd.....		21:24	
West Transit Facility.....	15:54	Granite Reef Rd & Indian Sch		18:58		19th Ave & Indian School Rd.....		21:36	
107th Ave & Indian School Rd.	16:12	Scottsdale Rd & Indian School		19:03		Central Ave & Indian School Rd.		21:40	
		56th St & Indian School Rd.....		19:10		Central Ave & Indian School Rd.		21:44	
Block	2065	44th St & Indian School Rd.....		19:14		24th St & Indian School Rd.....		21:54	
		32nd St & Indian School Rd.....		19:19		32nd St & Indian School Rd.....		21:57	
		41 / East / 172 / 20165546				44th St & Indian School Rd.....		22:01	
		107th Ave & Indian School Rd.		16:48		Central Ave & Indian School Rd.		22:04	
		83rd Ave & Indian School Rd.....		16:57		Central Ave & Indian School Rd.		19:39	
		59th Ave & Indian School Rd.....		17:08		19th Ave & Indian School Rd.....		19:46	
		43rd Ave & Indian School Rd.....		17:17		43rd Ave & Indian School Rd.....		20:02	
		19th Ave & Indian School Rd.....		17:31		59th Ave & Indian School Rd.....		20:11	
		Central Ave & Indian School Rd.		17:40		83rd Ave & Indian School Rd.....		20:23	
		Central Ave & Indian School Rd.		17:44		107th Ave & Indian School Rd.		20:34	
		24th St & Indian School Rd.....		17:58					
		32nd St & Indian School Rd.....		18:02		Deadhead			
		44th St & Indian School Rd.....		18:09		107th Ave & Indian School Rd.		20:34	
		56th St & Indian School Rd.....		18:12		107th Ave & Indian School Rd.		20:40	
		Scottsdale Rd & Indian School		18:19					
		Granite Reef Rd & Indian Sch		18:27		41 / West / 724 / 20165947			
						56th St & Indian School Rd.....		22:46	
		Deadhead				44th St & Indian School Rd.....		22:49	
		Granite Reef Rd & Indian Sch		18:27		32nd St & Indian School Rd.....		22:53	
		Pima Rd & Chaparral Rd.....		18:31		24th St & Indian School Rd.....		22:57	
						Central Ave & Indian School Rd.		23:05	
						Central Ave & Indian School Rd.		23:09	
						19th Ave & Indian School Rd.....		23:14	
						43rd Ave & Indian School Rd.....		23:25	
						59th Ave & Indian School Rd.....		23:31	
						83rd Ave & Indian School Rd.....		23:40	
						107th Ave & Indian School Rd.		23:50	
						Pull In			
						107th Ave & Indian School Rd.		23:50	
						West Transit Facility.....		24:05	

Phoenix West

Effective: 01/22/2024

2132
Sunday

Duty Type	Block	Report Time	Start Place	Start Time	End Time	End Place	Clear Time	Paid Time	Seat Time
ST	CAR 2012	15:52	WEST 83VB	15:57 16:05	16:05 24:07	83VB WEST	24:07	8h15	6h39

Sign-on	15:52	Deadhead			Deadhead				
		83rd Ave & Van Buren St.....		19:01	83rd Ave & Van Buren St.....			22:01	
Travel by	CAR	83rd Ave & Van Buren St.....		19:05	83rd Ave & Van Buren St.....			22:05	
Car Pull		3 / East / 181 / 20165634			3 / East / 181 / 20165923				
West Transit Facility.....	15:57	83rd Ave & Van Buren St.....		19:25	83rd Ave & Van Buren St.....			22:25	
83rd Ave & Van Buren St.....	16:05	67th Ave & Van Buren St.....		19:30	67th Ave & Van Buren St.....			22:30	
		51st Ave & Van Buren St.....		19:39	51st Ave & Van Buren St.....			22:39	
Block	2012	35th Ave & Van Buren St.....		19:48	35th Ave & Van Buren St.....			22:48	
		19th Ave & Van Buren St.....		19:56	19th Ave & Van Buren St.....			22:56	
3 / East / 86 / 20165628		Central Ave & Van Buren St.....		20:05	Central Ave & Van Buren St.....			23:05	
83rd Ave & Van Buren St.....	16:25	24th St & Van Buren St.....		20:16	24th St & Van Buren St.....			23:16	
67th Ave & Van Buren St.....	16:30	44th St & Van Buren St.....		20:25	44th St & Van Buren St.....			23:25	
51st Ave & Van Buren St.....	16:39	Galvin Pkwy & Van Buren St...		20:32	Galvin Pkwy & Van Buren St...			23:32	
35th Ave & Van Buren St.....	16:48								
19th Ave & Van Buren St.....	16:56	Deadhead			Pull In				
Central Ave & Van Buren St.....	17:05	Galvin Pkwy & Van Buren St...		20:32	Galvin Pkwy & Van Buren St...			23:32	
24th St & Van Buren St.....	17:16	Galvin Pkwy & Van Buren St...		20:38	West Transit Facility.....			24:07	
44th St & Van Buren St.....	17:25								
Galvin Pkwy & Van Buren St.....	17:32	3 / West / 104 / 20165657							
Phoenix Zoo.....	17:36	Galvin Pkwy & Van Buren St...		20:54					
		44th St & Van Buren St.....		21:00					
3 / West / 104 / 20165606		24th St & Van Buren St.....		21:08					
Phoenix Zoo.....	17:51	2nd Ave & Van Buren St.....		21:20					
Galvin Pkwy & Van Buren St.....	17:54	19th Ave & Van Buren St.....		21:28					
44th St & Van Buren St.....	18:00	35th Ave & Van Buren St.....		21:37					
24th St & Van Buren St.....	18:08	51st Ave & Van Buren St.....		21:46					
2nd Ave & Van Buren St.....	18:20	67th Ave & Van Buren St.....		21:53					
19th Ave & Van Buren St.....	18:28	83rd Ave & Van Buren St.....		22:01					
35th Ave & Van Buren St.....	18:37								
51st Ave & Van Buren St.....	18:46								
67th Ave & Van Buren St.....	18:53								
83rd Ave & Van Buren St.....	19:01								

Phoenix West

Effective: 01/22/2024

2133
Sunday

Duty Type	Block	Report Time	Start Place	Start Time	End Time	End Place	Clear Time	Paid Time	Seat Time
ST	CAR 2034	16:11	WEST 43LB	16:16 16:36	16:36 24:11	43LB WEST	24:11	8h00	6h13

Sign-on	16:11	Deadhead	43 / North / 182 / 20165723
		43rd Ave & Lower Buckeye Rd	18:58
Travel by	CAR	43rd Ave & Lower Buckeye Rd	19:04
		43rd Ave & Van Buren St.....	21:56
		43rd Ave & Thomas Rd.....	22:03
Car Pull		43 / North / 182 / 20165737	43rd Ave & Camelback Rd.....
West Transit Facility.....	16:16	43rd Ave & Lower Buckeye Rd	19:18
43rd Ave & Lower Buckeye Rd	16:36	43rd Ave & Van Buren St.....	19:24
		43rd Ave & Thomas Rd.....	19:32
Block	2034	43rd Ave & Camelback Rd.....	19:40
		43rd Ave & Glendale Ave.....	19:47
		43rd Ave & Dunlap Ave.....	19:53
		43rd Ave & Thunderbird Rd.....	20:00
		43rd Ave & Union Hills Dr.....	20:09
		43rd Ave & Union Hills Dr.....	22:36
		43rd Ave & Union Hills Dr.....	22:43
		43rd Ave & Van Buren St.....	16:52
		43rd Ave & Thomas Rd.....	17:02
		43rd Ave & Camelback Rd.....	17:10
		43rd Ave & Glendale Ave.....	17:17
		43rd Ave & Dunlap Ave.....	17:24
		43rd Ave & Thunderbird Rd.....	17:31
		43rd Ave & Union Hills Dr.....	17:40
		Deadhead	43 / South / 207 / 20165949
		43rd Ave & Union Hills Dr.....	20:09
		43rd Ave & Union Hills Dr.....	20:16
		43rd Ave & Thunderbird Rd.....	23:14
		43rd Ave & Dunlap Ave.....	23:22
		43rd Ave & Glendale Ave.....	23:28
		43rd Ave & Camelback Rd.....	23:34
		43rd Ave & Thomas Rd.....	23:41
		43rd Ave & Van Buren St.....	23:48
		43rd Ave & Lower Buckeye Rd	23:56
		43 / South / 207 / 20165263	Pull In
		43rd Ave & Union Hills Dr.....	18:04
		43rd Ave & Thunderbird Rd.....	18:11
		43rd Ave & Dunlap Ave.....	18:20
		43rd Ave & Glendale Ave.....	18:27
		43rd Ave & Camelback Rd.....	18:34
		43rd Ave & Thomas Rd.....	18:42
		43rd Ave & Van Buren St.....	18:50
		43rd Ave & Lower Buckeye Rd	18:58
		Deadhead	43rd Ave & Lower Buckeye Rd
		43rd Ave & Lower Buckeye Rd	21:27
		43rd Ave & Lower Buckeye Rd	21:33
		43rd Ave & Lower Buckeye Rd	23:56
		West Transit Facility.....	24:11

Phoenix West

Effective: 01/22/2024

2134
Sunday

Duty Type	Block	Report Time	Start Place	Start Time	End Time	End Place	Clear Time	Paid Time	Seat Time
ST	CAR 2016	16:19	WEST 107I-E	16:24 16:42	16:42 24:34	107I-E WEST	24:34	8h15	6h18

Sign-on	16:19	Deadhead	41 / East / 267 / 20165713
Travel by	CAR	Pima Rd & Chaparral Rd.....	19:24
Car Pull		Granite Reef Rd & Indian Sch	19:28
West Transit Facility.....	16:24	41 / West / 724 / 20165594	43rd Ave & Indian School Rd..... 21:47
107th Ave & Indian School Rd.	16:42	Granite Reef Rd & Indian Sch	19:28
Block	2016	Scottsdale Rd & Indian School	19:33
		56th St & Indian School Rd.....	19:40
		44th St & Indian School Rd.....	19:44
		32nd St & Indian School Rd.....	19:49
		24th St & Indian School Rd.....	19:54
41 / East / 172 / 20165562		Central Ave & Indian School Rd.	20:05
107th Ave & Indian School Rd.	17:18	Central Ave & Indian School Rd.	20:09
83rd Ave & Indian School Rd.....	17:27	19th Ave & Indian School Rd.....	20:16
59th Ave & Indian School Rd.....	17:38	43rd Ave & Indian School Rd.....	20:32
43rd Ave & Indian School Rd.....	17:47	59th Ave & Indian School Rd.....	20:41
19th Ave & Indian School Rd.....	18:01	83rd Ave & Indian School Rd.....	20:53
Central Ave & Indian School Rd.	18:10	107th Ave & Indian School Rd.	21:04
Central Ave & Indian School Rd.	18:14	41 / West / 724 / 20165948	56th St & Indian School Rd..... 23:19
24th St & Indian School Rd.....	18:28	Deadhead	44th St & Indian School Rd..... 23:23
32nd St & Indian School Rd.....	18:32	107th Ave & Indian School Rd.	21:04
44th St & Indian School Rd.....	18:39	107th Ave & Indian School Rd.	21:10
56th St & Indian School Rd.....	18:42	Central Ave & Indian School Rd.	23:27
Scottsdale Rd & Indian School	18:49	Central Ave & Indian School Rd.	23:35
Granite Reef Rd & Indian Sch	18:57	19th Ave & Indian School Rd.....	23:39
Deadhead		43rd Ave & Indian School Rd.....	23:44
Granite Reef Rd & Indian Sch	18:57	59th Ave & Indian School Rd.....	23:55
Pima Rd & Chaparral Rd.....	19:01	83rd Ave & Indian School Rd.....	24:01
		107th Ave & Indian School Rd.	24:19
		Pull In	
		107th Ave & Indian School Rd.	24:19
		West Transit Facility.....	24:34

Phoenix West

Effective: 01/22/2024

2135
Sunday

Duty Type	Block	Report Time	Start Place	Start Time	End Time	End Place	Clear Time	Paid Time	Seat Time
ST	CAR 2030	16:22	WEST 83VB	16:27 16:35	16:35 24:37	83VB WEST	24:37	8h15	6h39

Sign-on	16:22	Deadhead				Deadhead			
		83rd Ave & Van Buren St.....		19:31		83rd Ave & Van Buren St.....		22:31	
Travel by	CAR	83rd Ave & Van Buren St.....		19:35		83rd Ave & Van Buren St.....		22:35	
Car Pull		3 / East / 181 / 20165622				3 / East / 181 / 20165921			
West Transit Facility.....	16:27	83rd Ave & Van Buren St.....		19:55		83rd Ave & Van Buren St.....		22:55	
83rd Ave & Van Buren St.....	16:35	67th Ave & Van Buren St.....		20:00		67th Ave & Van Buren St.....		23:00	
		51st Ave & Van Buren St.....		20:09		51st Ave & Van Buren St.....		23:09	
Block	2030	35th Ave & Van Buren St.....		20:18		35th Ave & Van Buren St.....		23:18	
		19th Ave & Van Buren St.....		20:26		19th Ave & Van Buren St.....		23:26	
		3 / East / 86 / 20165617				3 / East / 86 / 20165617			
83rd Ave & Van Buren St.....	16:55	Central Ave & Van Buren St.....		20:35		Central Ave & Van Buren St.....		23:35	
67th Ave & Van Buren St.....	17:00	24th St & Van Buren St.....		20:46		24th St & Van Buren St.....		23:46	
51st Ave & Van Buren St.....	17:09	44th St & Van Buren St.....		20:55		44th St & Van Buren St.....		23:55	
35th Ave & Van Buren St.....	17:18	Galvin Pkwy & Van Buren St...		21:02		Galvin Pkwy & Van Buren St...		24:02	
19th Ave & Van Buren St.....	17:26								
Central Ave & Van Buren St.....	17:35	Deadhead				Pull In			
24th St & Van Buren St.....	17:46	Galvin Pkwy & Van Buren St...		21:02		Galvin Pkwy & Van Buren St...		24:02	
44th St & Van Buren St.....	17:55	Galvin Pkwy & Van Buren St...		21:08		West Transit Facility.....		24:37	
Galvin Pkwy & Van Buren St.....	18:02								
Phoenix Zoo.....	18:06	3 / West / 104 / 20165659							
		Galvin Pkwy & Van Buren St...		21:24					
		44th St & Van Buren St.....		21:30					
		24th St & Van Buren St.....		21:38					
		3 / West / 104 / 20165648							
Phoenix Zoo.....	18:21	2nd Ave & Van Buren St.....		21:50					
Galvin Pkwy & Van Buren St.....	18:24	19th Ave & Van Buren St.....		21:58					
44th St & Van Buren St.....	18:30	35th Ave & Van Buren St.....		22:07					
24th St & Van Buren St.....	18:38	51st Ave & Van Buren St.....		22:16					
2nd Ave & Van Buren St.....	18:50	67th Ave & Van Buren St.....		22:23					
19th Ave & Van Buren St.....	18:58	83rd Ave & Van Buren St.....		22:31					
35th Ave & Van Buren St.....	19:07								
51st Ave & Van Buren St.....	19:16								
67th Ave & Van Buren St.....	19:23								
83rd Ave & Van Buren St.....	19:31								

Phoenix West

Effective: 01/22/2024

2136
Sunday

Duty Type	Block	Report Time	Start Place	Start Time	End Time	End Place	Clear Time	Paid Time	Seat Time
ST	CAR 2027	16:41	WEST 43LB	16:46 17:06	17:06 23:41	43LB WEST	23:41	7h00	5h33

Sign-on	16:41	43 / South / 207 / 20165741	43 / South / 207 / 20165258
		43rd Ave & Union Hills Dr.....	43rd Ave & Union Hills Dr.....
Travel by	CAR	43rd Ave & Thunderbird Rd.....	43rd Ave & Thunderbird Rd.....
		43rd Ave & Dunlap Ave.....	43rd Ave & Dunlap Ave.....
Car Pull		43rd Ave & Glendale Ave.....	43rd Ave & Glendale Ave.....
West Transit Facility.....	16:46	43rd Ave & Camelback Rd.....	43rd Ave & Camelback Rd.....
43rd Ave & Lower Buckeye Rd	17:06	43rd Ave & Thomas Rd.....	43rd Ave & Thomas Rd.....
		43rd Ave & Van Buren St.....	43rd Ave & Van Buren St.....
Block	2027	43rd Ave & Lower Buckeye Rd	43rd Ave & Lower Buckeye Rd

43 / North / 182 / 20165725		Deadhead	Deadhead
43rd Ave & Lower Buckeye Rd	17:16	43rd Ave & Lower Buckeye Rd	43rd Ave & Lower Buckeye Rd
43rd Ave & Van Buren St.....	17:22	43rd Ave & Lower Buckeye Rd	43rd Ave & Lower Buckeye Rd
43rd Ave & Thomas Rd.....	17:32		
43rd Ave & Camelback Rd.....	17:40	43 / North / 182 / 20165247	43 / North / 182 / 20165953
43rd Ave & Glendale Ave.....	17:47	43rd Ave & Lower Buckeye Rd	43rd Ave & Lower Buckeye Rd
43rd Ave & Dunlap Ave.....	17:54	43rd Ave & Van Buren St.....	43rd Ave & Van Buren St.....
43rd Ave & Thunderbird Rd.....	18:01	43rd Ave & Thomas Rd.....	43rd Ave & Thomas Rd.....
43rd Ave & Union Hills Dr.....	18:10	43rd Ave & Camelback Rd.....	43rd Ave & Camelback Rd.....
		43rd Ave & Glendale Ave.....	43rd Ave & Glendale Ave.....
Deadhead		43rd Ave & Dunlap Ave.....	43rd Ave & Dunlap Ave.....
43rd Ave & Union Hills Dr.....	18:10	43rd Ave & Thunderbird Rd.....	43rd Ave & Thunderbird Rd.....
43rd Ave & Union Hills Dr.....	18:17	43rd Ave & Union Hills Dr.....	43rd Ave & Union Hills Dr.....
		Deadhead	Pull In
		43rd Ave & Union Hills Dr.....	43rd Ave & Union Hills Dr.....
		43rd Ave & Union Hills Dr.....	West Transit Facility.....

Phoenix West

Effective: 01/22/2024

2137
Sunday

Duty Type	Block	Report Time	Start Place	Start Time	End Time	End Place	Clear Time	Paid Time	Seat Time
ST	CAR 2039	17:00	WEST 75LB	17:05 17:15	17:15 23:48	75LB WEST	23:48	6h48	4h34

Sign-on	17:00	83 / North / 183 / 20165888	Deadhead
		83rd Ave & Van Buren St.....	18:32
Travel by	CAR	Desert Sky TC.....	18:42
		83rd Ave & Camelback Rd.....	18:51
Car Pull		83rd Ave & Glendale Ave.....	18:56
West Transit Facility.....	17:05	83rd Ave & Peoria Ave.....	19:08
75th Ave & Lower Buckeye Rd	17:15	83rd Ave & Thunderbird Rd.....	19:14
		Arrowhead Mall North.....	19:25
Block	2039	-----	-----
		Deadhead	
		Arrowhead Mall North.....	19:25
		Arrowhead Mall Layover.....	19:27
		-----	-----
		Deadhead	
		Arrowhead Mall Layover.....	20:01
		Arrowhead Mall North.....	20:03
		-----	-----
		Deadhead	
		75th Ave & Lower Buckeye Rd	17:25
		75th Ave & Van Buren St.....	17:30
		Desert Sky TC.....	17:44
		75th Ave & Camelback Rd.....	17:55
		-----	-----
		Deadhead	
		75th Ave & Camelback Rd.....	17:55
		83rd Ave & Camelback Rd.....	17:58
		-----	-----
		83 / South / 155 / 20165457	
		83rd Ave & Camelback Rd.....	18:05
		Desert Sky TC.....	18:11
		83rd Ave & Van Buren St.....	18:21
		-----	-----
		Deadhead	
		83rd Ave & Van Buren St.....	18:21
		83rd Ave & Van Buren St.....	18:25
		-----	-----
		83 / South / 155 / 20165871	
		Arrowhead Mall North.....	20:03
		83rd Ave & Thunderbird Rd.....	20:13
		83rd Ave & Peoria Ave.....	20:19
		83rd Ave & Glendale Ave.....	20:30
		83rd Ave & Camelback Rd.....	20:35
		Desert Sky TC.....	20:41
		83rd Ave & Van Buren St.....	20:50
		-----	-----
		Deadhead	
		83rd Ave & Van Buren St.....	20:50
		83rd Ave & Van Buren St.....	20:54
		-----	-----
		83 / North / 153 / 20165473	
		83rd Ave & Van Buren St.....	21:04
		Desert Sky TC.....	21:12
		83rd Ave & Camelback Rd.....	21:20
		-----	-----
		Deadhead	
		83rd Ave & Camelback Rd.....	21:20
		75th Ave & Camelback Rd.....	21:23
		-----	-----
		75 / South / 149 / 20165428	
		75th Ave & Camelback Rd.....	21:30
		Desert Sky TC.....	21:38
		75th Ave & Van Buren St.....	21:47
		75th Ave & Lower Buckeye Rd	21:51
		-----	-----
		Deadhead	
		75th Ave & Lower Buckeye Rd	22:16
		Sierra Linda HS-North.....	22:21
		-----	-----
		67 / North / 250 / 20165967	
		Sierra Linda HS-North.....	22:21
		67th Ave & Van Buren St.....	22:27
		67th Ave & Thomas Rd.....	22:34
		67th Ave & Camelback Rd.....	22:40
		-----	-----
		Deadhead	
		67th Ave & Camelback Rd.....	22:40
		67th Ave & Camelback Rd.....	22:46
		-----	-----
		67 / South / 254 / 20165966	
		67th Ave & Camelback Rd.....	23:15
		67th Ave & Thomas Rd.....	23:22
		67th Ave & Van Buren St.....	23:30
		Sierra Linda HS-South.....	23:37
		-----	-----
		Pull In	
		Sierra Linda HS-South.....	23:37
		West Transit Facility.....	23:48

Phoenix West

Effective: 01/22/2024

2138
Sunday

Duty Type	Block	Report Time	Start Place	Start Time	End Time	End Place	Clear Time	Paid Time	Seat Time
ST	CAR 2038	17:11	WEST 43LB	17:16 17:36	17:36 24:11	43LB WEST	24:11	7h00	5h32

Sign-on	17:11	43 / South / 207 / 20165260	43 / South / 207 / 20165739
		43rd Ave & Union Hills Dr.....	43rd Ave & Union Hills Dr.....
Travel by	CAR	43rd Ave & Thunderbird Rd.....	43rd Ave & Thunderbird Rd.....
		43rd Ave & Dunlap Ave.....	43rd Ave & Dunlap Ave.....
Car Pull		43rd Ave & Glendale Ave.....	43rd Ave & Glendale Ave.....
West Transit Facility.....	17:16	43rd Ave & Camelback Rd.....	43rd Ave & Camelback Rd.....
43rd Ave & Lower Buckeye Rd	17:36	43rd Ave & Thomas Rd.....	43rd Ave & Thomas Rd.....
		43rd Ave & Van Buren St.....	43rd Ave & Van Buren St.....
Block	2038	43rd Ave & Lower Buckeye Rd	43rd Ave & Lower Buckeye Rd
		43 / North / 182 / 20165246	43 / North / 182 / 20165955
		43rd Ave & Lower Buckeye Rd	43rd Ave & Lower Buckeye Rd
		43rd Ave & Van Buren St.....	43rd Ave & Van Buren St.....
		43rd Ave & Thomas Rd.....	43rd Ave & Thomas Rd.....
		43rd Ave & Camelback Rd.....	43rd Ave & Camelback Rd.....
		43rd Ave & Glendale Ave.....	43rd Ave & Glendale Ave.....
		43rd Ave & Dunlap Ave.....	43rd Ave & Dunlap Ave.....
		43rd Ave & Thunderbird Rd.....	43rd Ave & Thunderbird Rd.....
		43rd Ave & Union Hills Dr.....	43rd Ave & Union Hills Dr.....
Deadhead		43rd Ave & Union Hills Dr.....	43rd Ave & Union Hills Dr.....
		43rd Ave & Union Hills Dr.....	43rd Ave & Union Hills Dr.....
		43 / North / 182 / 20165730	43 / North / 182 / 20165955
		43rd Ave & Lower Buckeye Rd	43rd Ave & Lower Buckeye Rd
		43rd Ave & Van Buren St.....	43rd Ave & Van Buren St.....
		43rd Ave & Thomas Rd.....	43rd Ave & Thomas Rd.....
		43rd Ave & Camelback Rd.....	43rd Ave & Camelback Rd.....
		43rd Ave & Glendale Ave.....	43rd Ave & Glendale Ave.....
		43rd Ave & Dunlap Ave.....	43rd Ave & Dunlap Ave.....
		43rd Ave & Thunderbird Rd.....	43rd Ave & Thunderbird Rd.....
		43rd Ave & Union Hills Dr.....	43rd Ave & Union Hills Dr.....
		43rd Ave & Union Hills Dr.....	43rd Ave & Union Hills Dr.....
		43rd Ave & Union Hills Dr.....	43rd Ave & Union Hills Dr.....
		Deadhead	Pull In
		43rd Ave & Union Hills Dr.....	43rd Ave & Union Hills Dr.....
		43rd Ave & Union Hills Dr.....	West Transit Facility.....

Phoenix West

Effective: 01/22/2024

2139
Sunday

Duty Type	Block	Report Time	Start Place	Start Time	End Time	End Place	Clear Time	Paid Time	Seat Time
ST	CAR 2064	17:19	WEST 107I-E	17:24 17:42	17:42 24:09	107I-E WEST	24:09	6h50	4h57

Sign-on	17:19	Deadhead	41 / East / 267 / 20165945
Travel by	CAR	Granite Reef Rd & Indian Sch	107th Ave & Indian School Rd.
Car Pull		56th St & Indian School Rd.....	22:33
West Transit Facility.....	17:24		83rd Ave & Indian School Rd..... 22:41
107th Ave & Indian School Rd.	17:42		59th Ave & Indian School Rd..... 22:49
Block	2064		43rd Ave & Indian School Rd..... 22:56
		41 / West / 724 / 20165718	19th Ave & Indian School Rd..... 23:06
		56th St & Indian School Rd.....	Central Ave & Indian School Rd. 23:10
		44th St & Indian School Rd.....	Central Ave & Indian School Rd. 23:14
		32nd St & Indian School Rd.....	24th St & Indian School Rd..... 23:24
		24th St & Indian School Rd.....	Central Ave & Indian School Rd. 23:27
		Central Ave & Indian School Rd.	44th St & Indian School Rd..... 23:31
		Central Ave & Indian School Rd.	56th St & Indian School Rd..... 23:34
		19th Ave & Indian School Rd.....	
		43rd Ave & Indian School Rd.....	
		59th Ave & Indian School Rd.....	Pull In
		43rd Ave & Indian School Rd.....	56th St & Indian School Rd..... 23:34
		19th Ave & Indian School Rd.....	West Transit Facility..... 24:09
		Central Ave & Indian School Rd.	
		Central Ave & Indian School Rd.	
		24th St & Indian School Rd.....	Deadhead
		32nd St & Indian School Rd.....	107th Ave & Indian School Rd. 21:51
		44th St & Indian School Rd.....	107th Ave & Indian School Rd. 21:57
		56th St & Indian School Rd.....	
		Scottsdale Rd & Indian School	
		Granite Reef Rd & Indian Sch	
		19:56	

Phoenix West

Effective: 01/22/2024

2140
Sunday

Duty Type	Block	Report Time	Start Place	Start Time	End Time	End Place	Clear Time	Paid Time	Seat Time
ST	CAR 2010	17:28	WEST 51VB	17:33 17:45	17:45 24:23	51VB WEST	24:23	6h55	5h10

Sign-on	17:28	51 / South / 27 / 20165784	51 / South / 27 / 20165960
		ASU West Campus.....	ASU West Campus.....
Travel by	CAR	51st Ave & Olive Ave.....	51st Ave & Olive Ave.....
		51st Ave & Glendale Ave.....	51st Ave & Glendale Ave.....
Car Pull		51st Ave & Camelback Rd.....	51st Ave & Camelback Rd.....
West Transit Facility.....	17:33	51st Ave & Thomas Rd.....	51st Ave & Thomas Rd.....
51st Ave & Van Buren St.....	17:45	51st Ave & Van Buren St.....	51st Ave & Van Buren St.....
		51st Ave & Lower Buckeye Rd...	51st Ave & Lower Buckeye Rd...
Block	2010	51st Ave & Baseline Rd.....	51st Ave & Baseline Rd.....
51 / South / 28 / 20165291		Deadhead	Pull In
51st Ave & Van Buren St.....	17:45	51st Ave & Baseline Rd.....	51st Ave & Baseline Rd.....
51st Ave & Lower Buckeye Rd...	17:51	51st Ave & Baseline Rd.....	West Transit Facility.....
51st Ave & Baseline Rd.....	17:59		
Vee Quiva Casino.....	18:11	51 / North / 206 / 20165773	
Komatke Health Center.....	18:23	51st Ave & Baseline Rd.....	
51st Ave & Pecos Rd.....	18:27	51st Ave & Lower Buckeye Rd...	
		51st Ave & Van Buren St.....	
51 / North / 206 / 20165278		51st Ave & Thomas Rd.....	
51st Ave & Pecos Rd.....	18:51	51st Ave & Camelback Rd.....	
Vee Quiva Casino.....	19:01	51st Ave & Glendale Ave.....	
51st Ave & Baseline Rd.....	19:13	51st Ave & Olive Ave.....	
51st Ave & Lower Buckeye Rd...	19:20	ASU West Campus.....	
51st Ave & Van Buren St.....	19:27		
51st Ave & Thomas Rd.....	19:35		
51st Ave & Camelback Rd.....	19:43		
51st Ave & Glendale Ave.....	19:48		
51st Ave & Olive Ave.....	19:55		
ASU West Campus.....	20:06		

Phoenix West

Effective: 01/22/2024

2141
Sunday

Duty Type	Block	Report Time	Start Place	Start Time	End Time	End Place	Clear Time	Paid Time	Seat Time
TRP	CAR 2021	17:40	WEST 43LB	17:45 18:05	18:05 23:12	43LB WEST	23:12	5h32	4h17

Sign-on	17:40	43 / South / 207 / 20165728	Deadhead
		43rd Ave & Union Hills Dr.....	19:35
Travel by	CAR	43rd Ave & Thunderbird Rd.....	19:42
		43rd Ave & Dunlap Ave.....	19:51
Car Pull		43rd Ave & Glendale Ave.....	19:57
West Transit Facility.....	17:45	43rd Ave & Camelback Rd.....	20:04
43rd Ave & Lower Buckeye Rd	18:05	43rd Ave & Thomas Rd.....	20:11
		43rd Ave & Van Buren St.....	20:19
Block	2021	43rd Ave & Lower Buckeye Rd	20:27
		43rd Ave & Glendale Ave.....	22:28
		43rd Ave & Camelback Rd.....	22:34
		43rd Ave & Thomas Rd.....	22:41
		43rd Ave & Van Buren St.....	22:49
		43rd Ave & Lower Buckeye Rd	22:57
		43 / North / 182 / 20165738	Deadhead
43rd Ave & Lower Buckeye Rd	18:16	43rd Ave & Lower Buckeye Rd	20:27
43rd Ave & Van Buren St.....	18:22	43rd Ave & Lower Buckeye Rd	20:33
43rd Ave & Thomas Rd.....	18:32		
43rd Ave & Camelback Rd.....	18:40	43 / North / 182 / 20165248	Pull In
43rd Ave & Glendale Ave.....	18:47	43rd Ave & Lower Buckeye Rd	20:50
43rd Ave & Dunlap Ave.....	18:54	43rd Ave & Van Buren St.....	20:56
43rd Ave & Thunderbird Rd.....	19:01	43rd Ave & Thomas Rd.....	21:03
43rd Ave & Union Hills Dr.....	19:10	43rd Ave & Camelback Rd.....	21:10
		43rd Ave & Glendale Ave.....	21:16
		43rd Ave & Dunlap Ave.....	21:22
Deadhead		43rd Ave & Thunderbird Rd.....	21:29
43rd Ave & Union Hills Dr.....	19:10	43rd Ave & Union Hills Dr.....	21:36
43rd Ave & Union Hills Dr.....	19:17		

Phoenix West

Effective: 01/22/2024

2142
Sunday

Duty Type	Block	Report Time	Start Place	Start Time	End Time	End Place	Clear Time	Paid Time	Seat Time
ST	CAR 2005	17:52	WEST 83VB	17:57 18:05	18:05 24:06	83VB WEST	24:06	6h14	5h00

Sign-on	17:52	Deadhead				Deadhead			
		Phoenix Zoo.....		19:36		Galvin Pkwy & Van Buren St...		22:32	
Travel by	CAR	Galvin Pkwy & Van Buren St...		19:41		Galvin Pkwy & Van Buren St...		22:38	
Car Pull		3 / West / 104 / 20165651				3 / West / 104 / 20165927			
West Transit Facility.....	17:57	Galvin Pkwy & Van Buren St...		19:54		Galvin Pkwy & Van Buren St...		22:54	
83rd Ave & Van Buren St.....	18:05	44th St & Van Buren St.....		20:00		44th St & Van Buren St.....		23:00	
		24th St & Van Buren St.....		20:08		24th St & Van Buren St.....		23:08	
Block	2005	2nd Ave & Van Buren St.....		20:20		2nd Ave & Van Buren St.....		23:20	
		19th Ave & Van Buren St.....		20:28		19th Ave & Van Buren St.....		23:28	
3 / East / 86 / 20165633		35th Ave & Van Buren St.....		20:37		35th Ave & Van Buren St.....		23:37	
83rd Ave & Van Buren St.....	18:25	51st Ave & Van Buren St.....		20:46		51st Ave & Van Buren St.....		23:46	
67th Ave & Van Buren St.....	18:30	67th Ave & Van Buren St.....		20:53		67th Ave & Van Buren St.....		23:53	
51st Ave & Van Buren St.....	18:39	83rd Ave & Van Buren St.....		21:01		83rd Ave & Van Buren St.....		24:01	
35th Ave & Van Buren St.....	18:48								
19th Ave & Van Buren St.....	18:56	Deadhead				Pull In			
Central Ave & Van Buren St.....	19:05	83rd Ave & Van Buren St.....		21:01		83rd Ave & Van Buren St.....		24:01	
24th St & Van Buren St.....	19:16	83rd Ave & Van Buren St.....		21:05		West Transit Facility.....		24:06	
44th St & Van Buren St.....	19:25								
Galvin Pkwy & Van Buren St.....	19:32	3 / East / 181 / 20165661							
Phoenix Zoo.....	19:36	83rd Ave & Van Buren St.....		21:25					
		67th Ave & Van Buren St.....		21:30					
		51st Ave & Van Buren St.....		21:39					
		35th Ave & Van Buren St.....		21:48					
		19th Ave & Van Buren St.....		21:56					
		Central Ave & Van Buren St.....		22:05					
		24th St & Van Buren St.....		22:16					
		44th St & Van Buren St.....		22:25					
		Galvin Pkwy & Van Buren St...		22:32					