



City of Phoenix
Office of the City Engineer
Design and Construction Procurement
200 W. Washington Street, 5th Floor
Phoenix, Arizona 85003-1611

PROJECT NO. ST85100400
PINNACLE PEAK ROAD:
45TH AVENUE TO 35TH AVENUE PAVING AND STORM DRAIN IMPROVEMENTS
(REBID)
DESIGN-BID-BUILD

RFx 6000001062

ADDENDUM NO. 2

ISSUE DATE: August 12, 2021

Bidders are hereby notified that the Bidding and Contract Documents for the above project, for which Bids are to be received on **Tuesday, August 17, 2021**, are amended as follows:

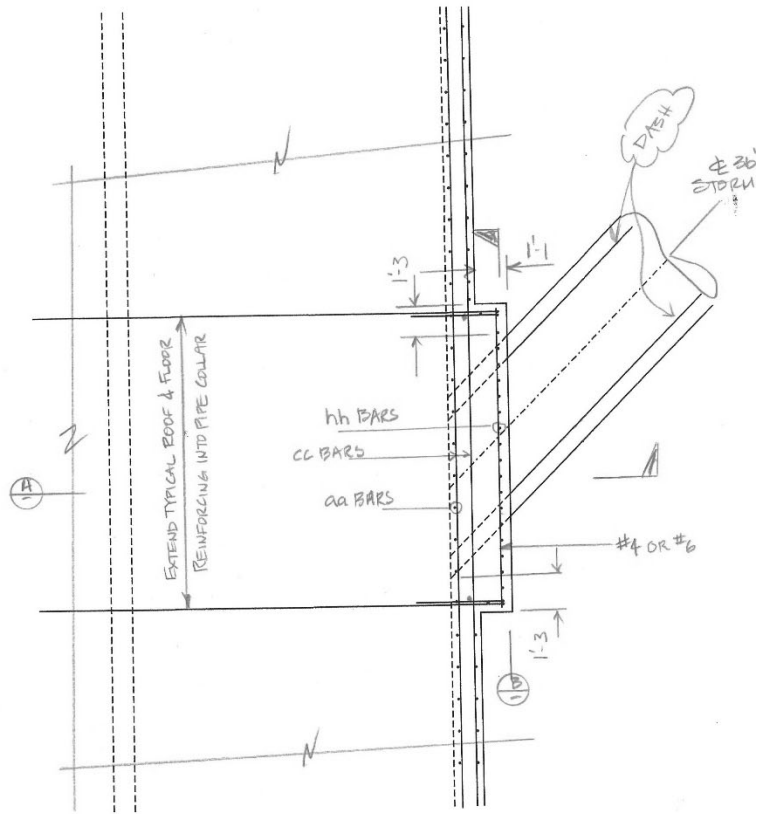
Q8: REVISED	On Plan Sheet 48 of 122, is there a detail that shows how you want the box culvert and 36" pipe to connect?
A8: REVISED	See attached Detail. The awarded bidder will be provided the official revised Plan Sheets.

NOTE: Bidders must acknowledge receipt of this Addendum 2 by listing the number and date, where provided, on the Bid Proposal, P-1.

END OF ADDENDUM

Michael Lopez, PE
Designer of Record
Stanley Consultants, Inc.





PLAN